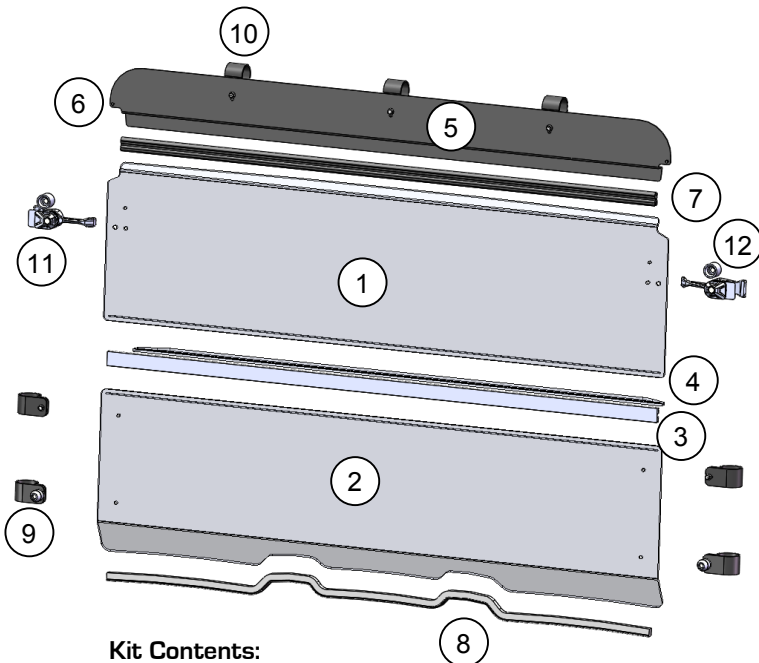


Installation & Operations Manual

Polaris Ranger 1.75inch Round Tube Full & Mid Size Flip Windshield



Kit Contents:

- | | |
|---------------------|--------------------------------------|
| 1. Upper Windshield | 7. 1 Upper Gasket |
| 2. Lower Windshield | 8. 1 Lower Gasket |
| 3. Hinge | 9. 2 plastic clamps with Lower Plugs |
| 4. Hinge Brace | |
| 5. Header Panel | 10. 5 Plastic P clamps |
| 6. 2 Rubber Bumpers | 11. Lever assembly |
| | 12. Upper Rubber plug |

Installation Information:

This product does not require any modifications to your vehicle. Please familiarize yourself with all the steps before beginning assembly.

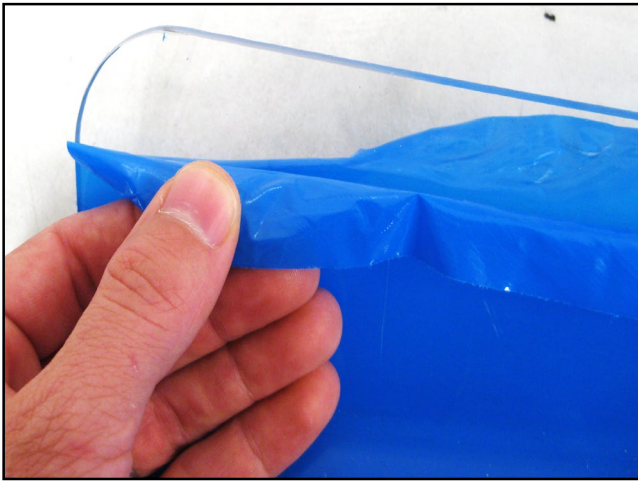
Compatibility Info:

This windshield is designed to work with other Seizmik branded Accessories for the Polaris Full and Mid Size Ranger as well as OEM Polaris branded hard tops. Please note Seizmik cannot guarantee fitment with other branded aftermarket products. Please research installation details on our products and others when trying to combine different branded accessories.

Seizmik makes Windshields, Mirrors, Cab Systems, Light Bars, Storage Boxes, Hood Racks, and other great accessories for UTV's to maximize the vehicles usefulness. To help you do what you do better.

Preparing the Windshield:

SEIZMIK



1. Peel blue plastic 4" back on all sides of windshield. Remove after windshield is fully installed

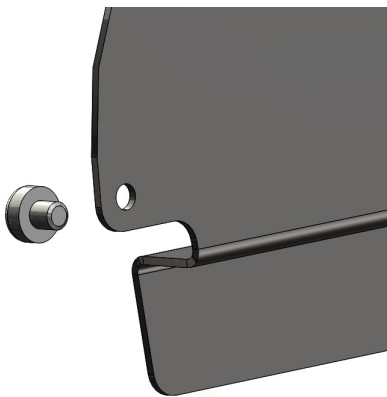


2. Center the Upper and Lower gaskets and press the channel of the gasket onto the top and bottom of the windshield. The longer gasket goes on the BOTTOM.

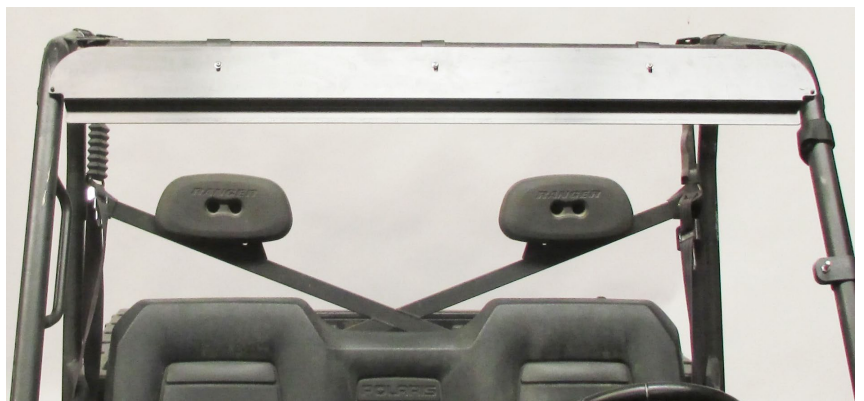
Header Panel Installation:



1. Snap the 3 plastic ROPS Clamps with the SMALLER holes onto the upper forward tube of the roll cage in the approximate locations shown, with the holes facing down and the flat side facing the front of the vehicle.



2. Prepare the header panel by installing a Rubber Bumper in the small hole on each side. The large part of the bumper should face the roll cage tube.

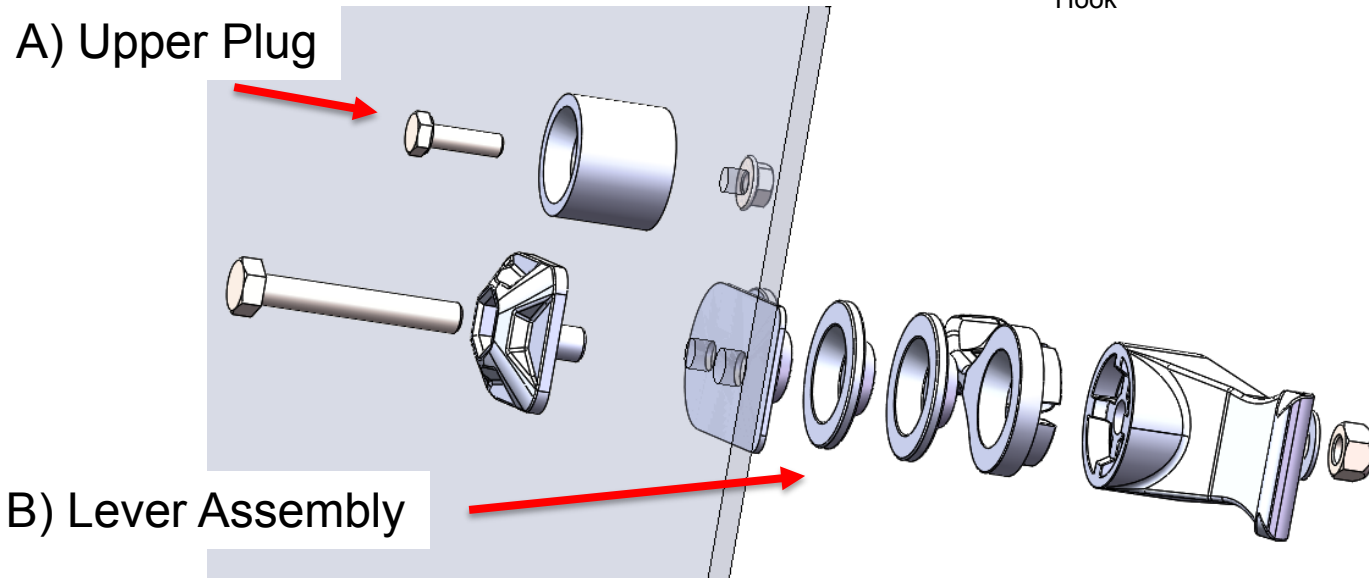
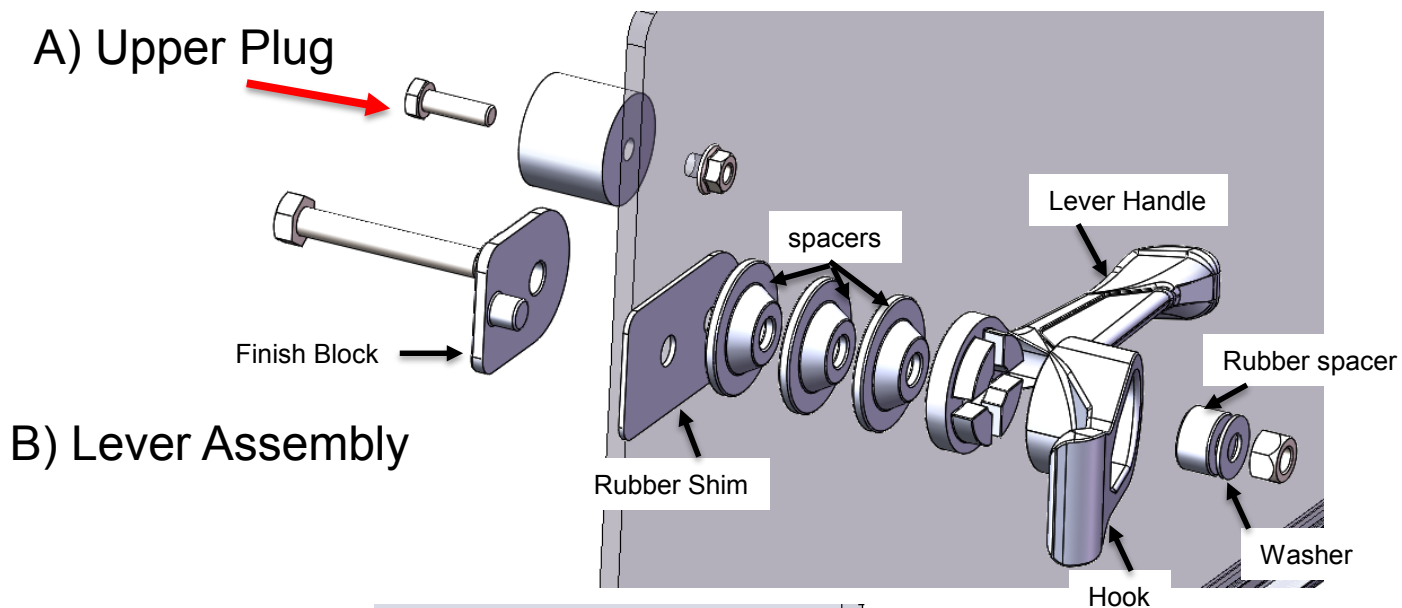


3. Bolt the Header Panel in the orientation shown to the previously installed plastic clamps, with the bottom flange towards the INSIDE of the vehicle, using an M6 bolt, washer, and nut, with the washer on the back of the Clamp. Make sure the panel is centered before tightening the bolts.

Installing Levers and Retaining Plugs:



4. Install the Upper Plugs using m6x20mm bolt and m6 flange nuts included in the individual bags. Install lever assembly as shown below. The Finish Block goes on the exterior of the windshield and locates using the bolt and the pin on the back side of the block. This keeps the block from turning when the lever is turned. The rubber shim goes in the interior of the windshield followed by the 3 spacers, Lever Handle, Hook, rubber spacer, washer and finally the nut. Install snug. Adjust tension to user preference.



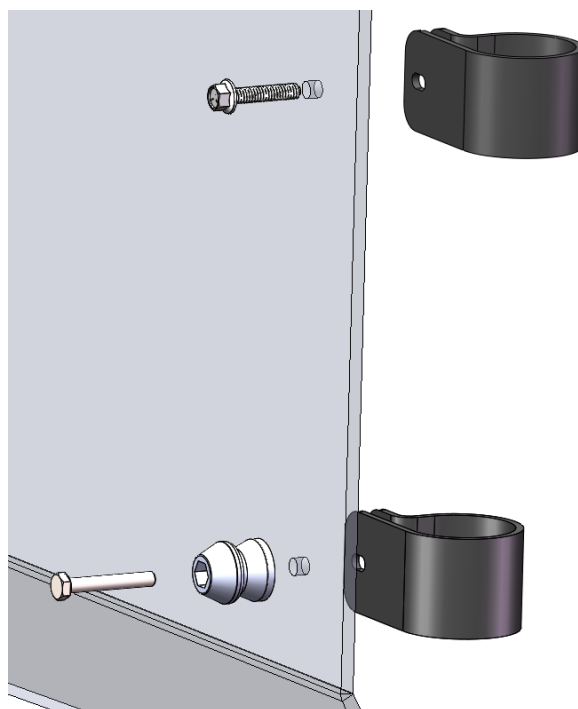
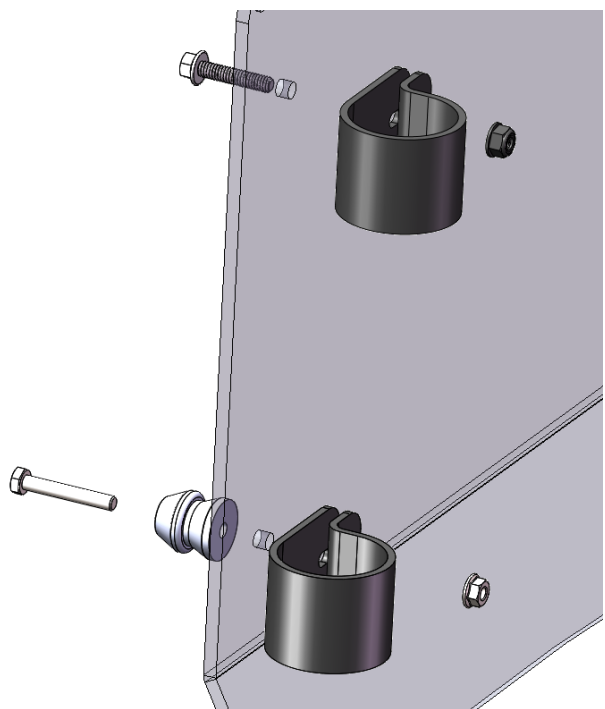
Installing Lower Clamps and Plugs:

SEIZMIK

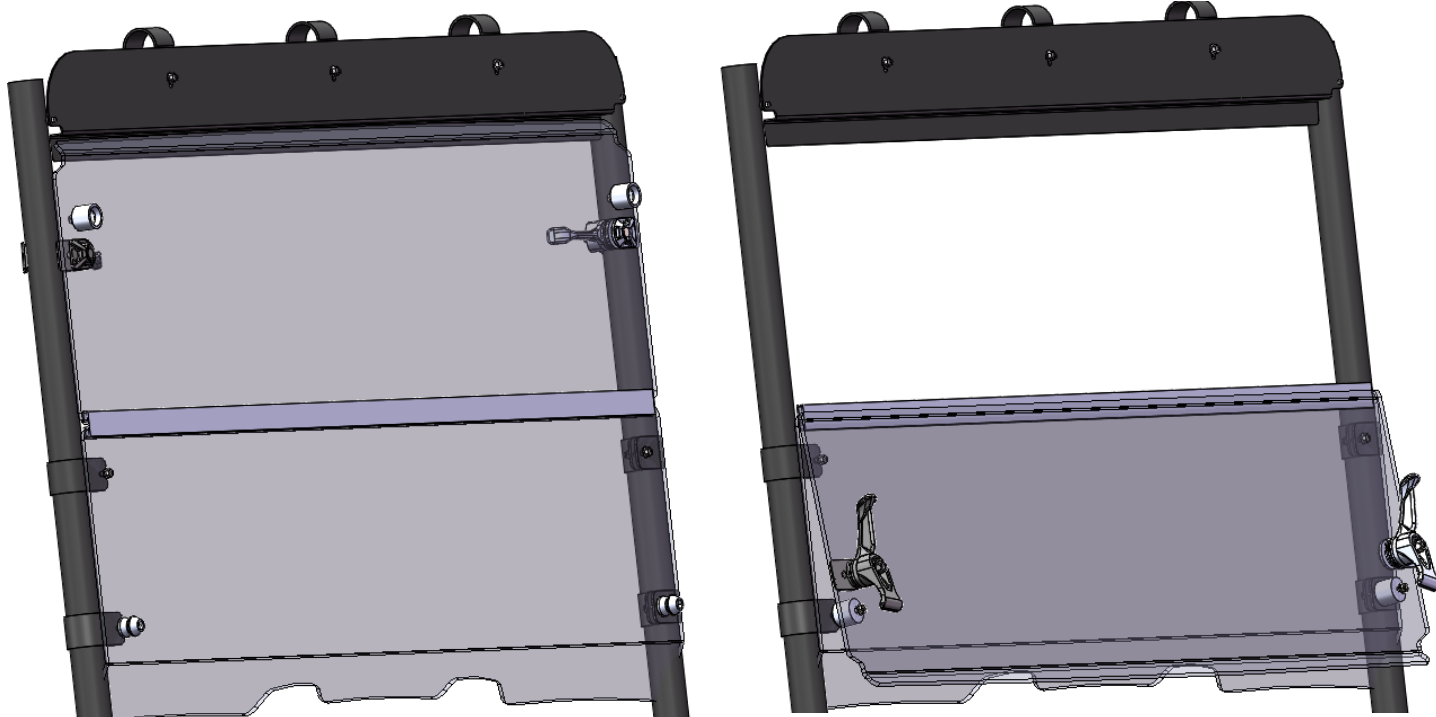


5. Install the 2 P-clamps using $\frac{1}{4}$ -20 x 1.25in bolts and lock nuts. The clamps go around the cage and the windshield is bolted on top of the clamps. **DO NOT SANDWICH THE WINDSHIELD IN THE P-CLAMP, IT WILL NOT WORK PROPERLY AND DAMAGE MAY OCCUR.**

Next install the lower P-clamp and plug as shown in the image below. The P-clamps go around the cage and the windshield goes on top, then the plug goes on top of the windshield, all held together by the bolt and lock nut.



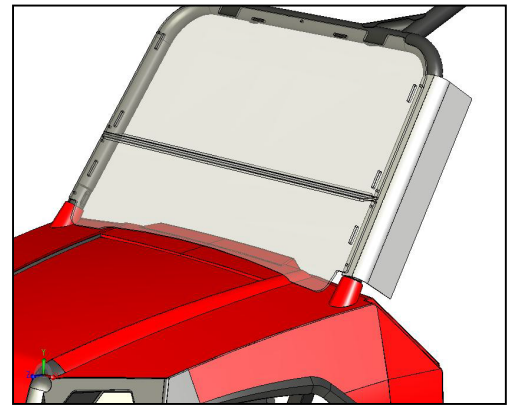
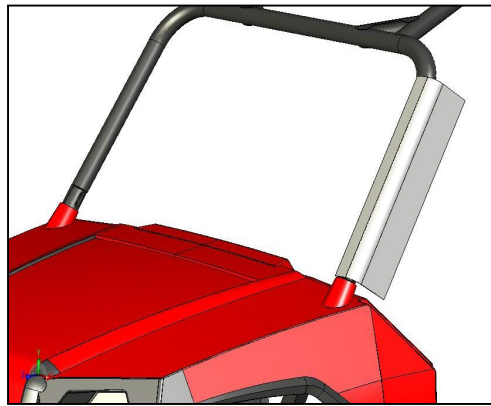
Operation:



6. To fold the windshield down, rotate levers 90° so that the hook is no longer around the ROPS. Flip the upper windshield down and press the upper rubber plugs into the bottom lower plugs. This will secure the windshield in the flipped down position. See images below.



Installing Flip Windshield with a SEZIMK Cab System:

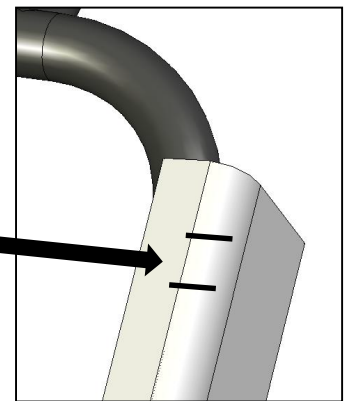
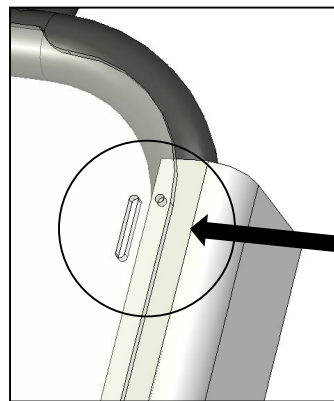


1. Mount side panel cab sections positioned correctly & taugth.
NOTE: You will cut the side panels - Ensure they are positioned correctly.

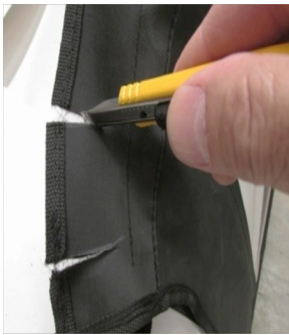
2. Lay the windshield in position noting location of the slots where the mounting clamps will go



Mark Fabric



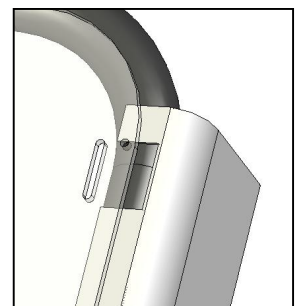
3. Mark the fabric where the slots are located. **IMPORTANT:** Carefully verify the windshield is positioned correctly!



4. Cut fabric across. Do not cut past the first vertical seam



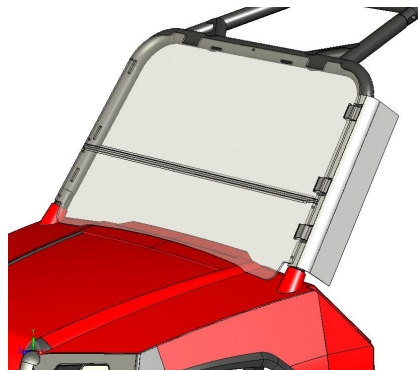
5. Fold cut the flap back



6. Install windshield on top of the side panels



7. Install straps lacing through the flap opening to the inside of the cab and secure velcro



8. Adjust as required & secure straps tightly