

Honda Pioneer 1000 OEM FRONT PANEL KIT Installation Instructions

STEP 1A: PREPARING THE ROOF (if OE plastic roof is already installed)

Unbolt the front 8 screws from the brackets (arrows), leaving the brackets attached in place on the ROPS.



Lift and support the roof, and move to STEP 2 below on page 3.

STEP 1B: PREPARING THE ROOF (if NOT already installed)

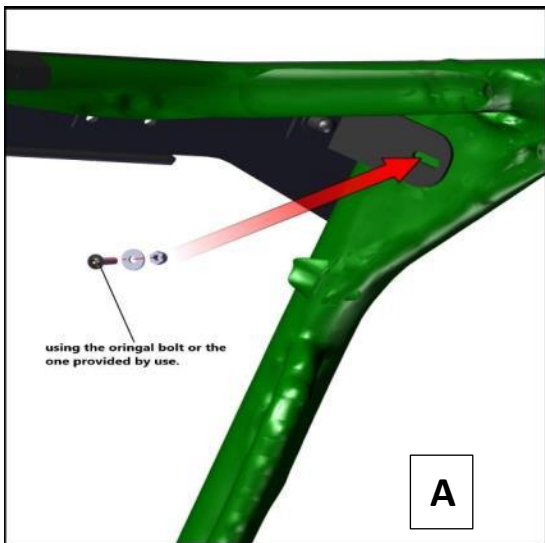


Install the 6 roof clamps on the ROPS (arrows above), positioning them below the predrilled holes so the roof is ready to be bolted down. Screw in the back 2 brackets so the roof will lift up and down in the front without losing position.



STEP 2: INSTALLING THE UPPER LEDGE

There are 2 brackets on either side of the Upper Ledge. The upper ledge holder bracket can be installed using the original bolts or the ones provided in kit (see picture A below). Install the upper ledge holder brackets on both sides first. Then install the lower bracket using the hole on the upper ledge and hardware provided (see B)



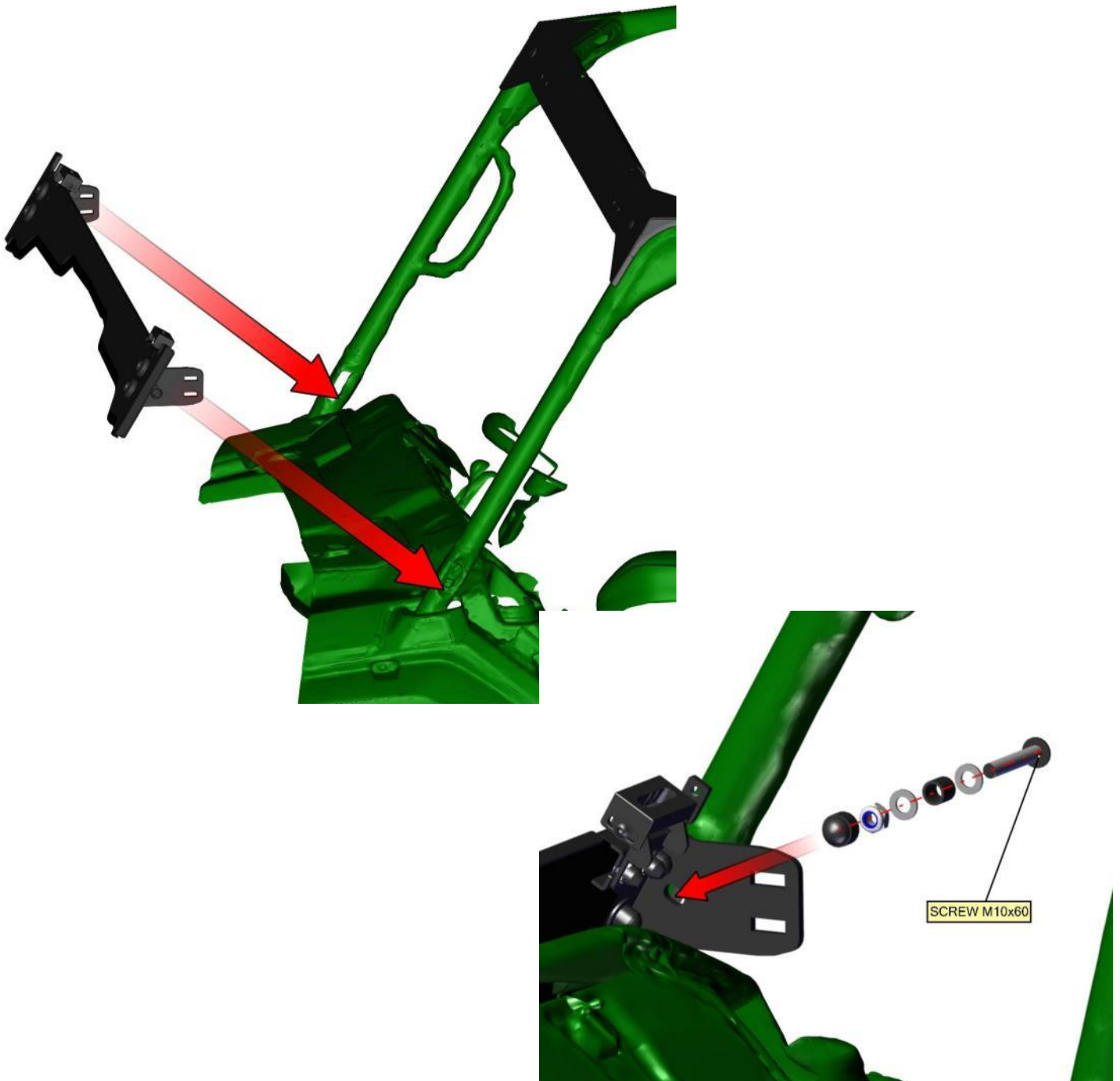
Lower the roof onto the upper ledge seal making sure the **rubber is curved FORWARD to seal properly.**



Tuck the rubber seal with your fingers into the underside of the roof and then bolt the roof in place.

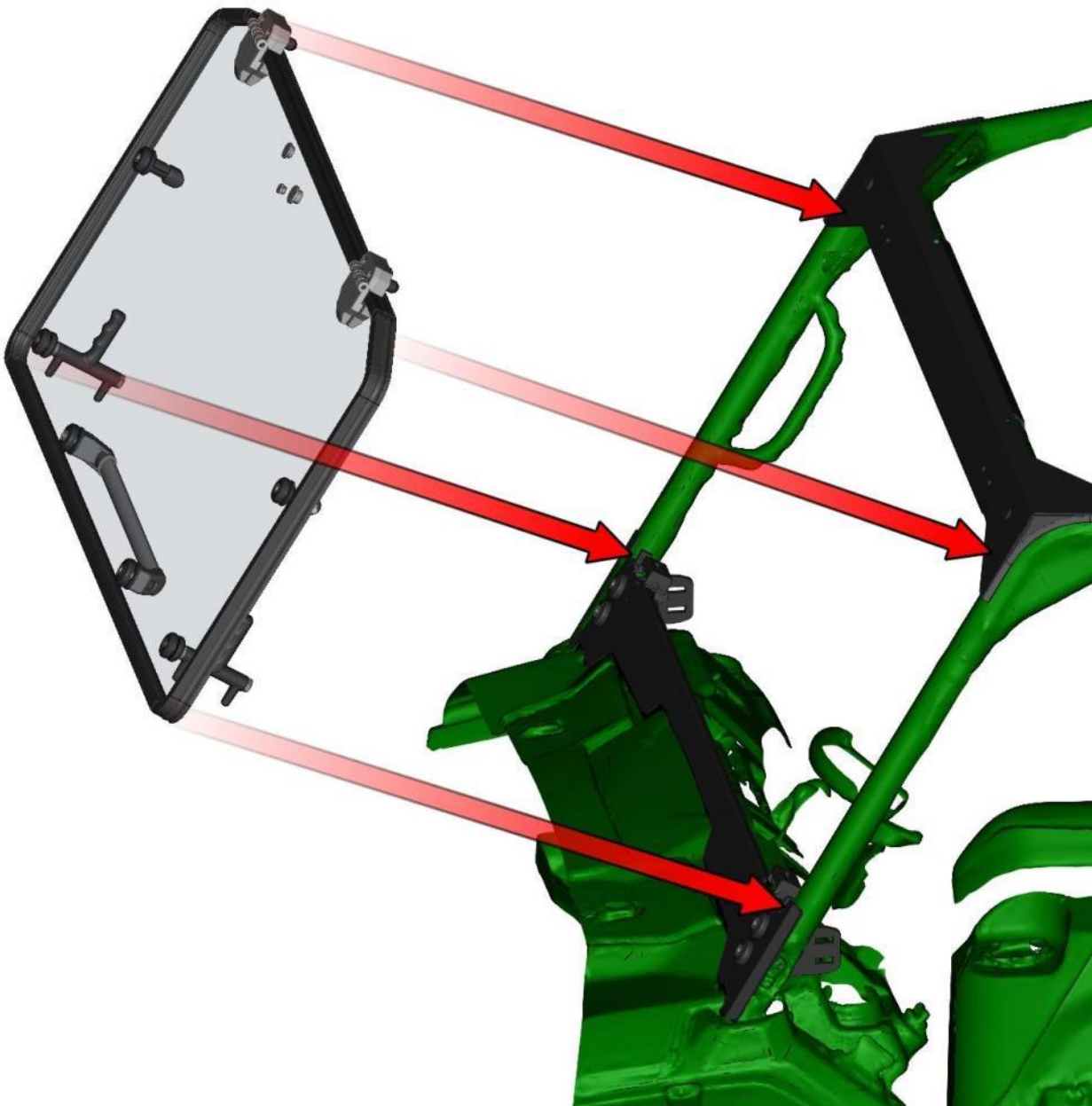
STEP 3: INSTALLING THE LOWER LEDGE

Fix the front bottom ledge assembly by backing out the existing bolts in the UTV roll cage and then attaching the ledge using those holes with bolts, tube spacers washers, nuts and covers on both sides.

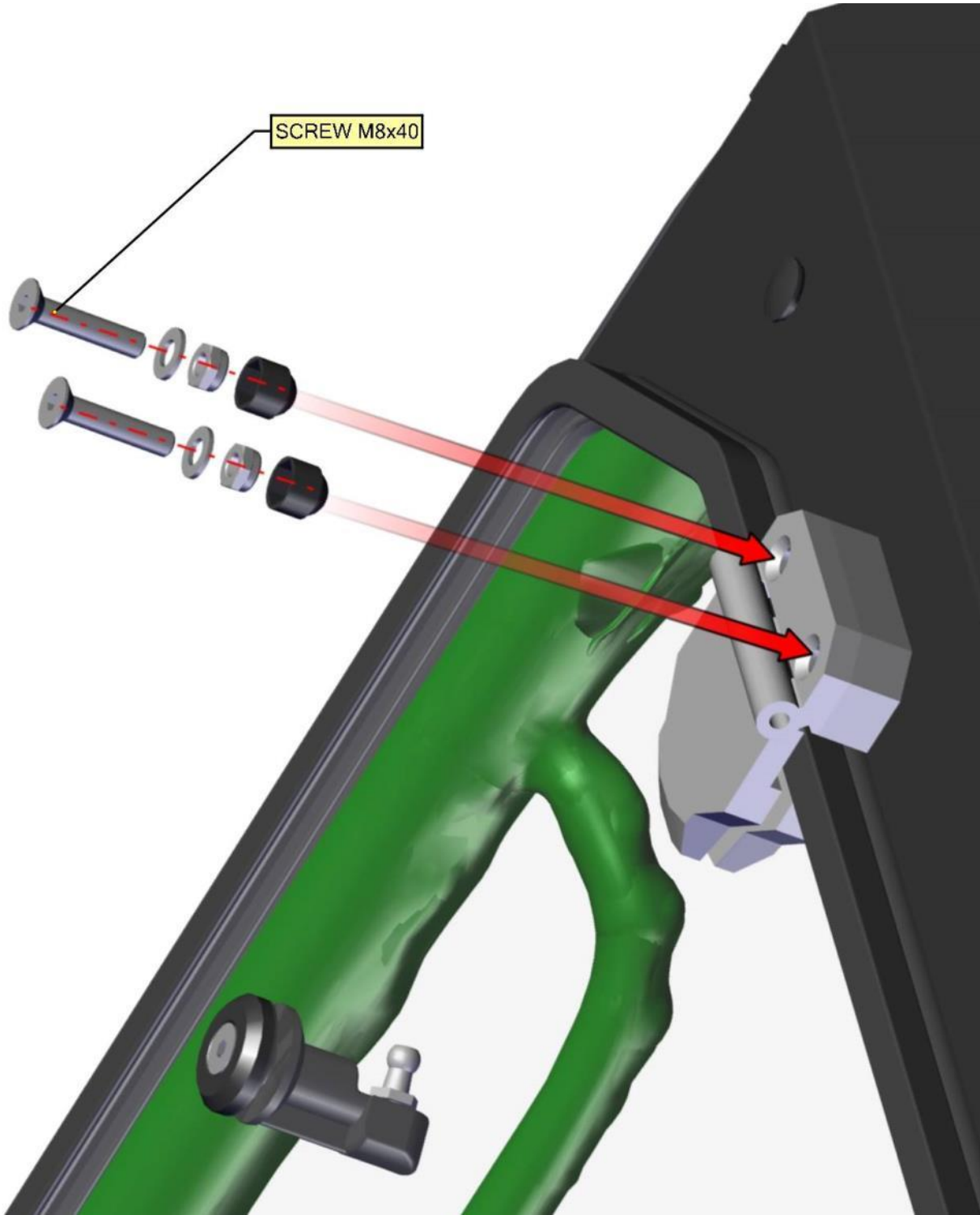


STEP 4: INSTALLING THE TILT-OUT WINDSHIELD GLASS

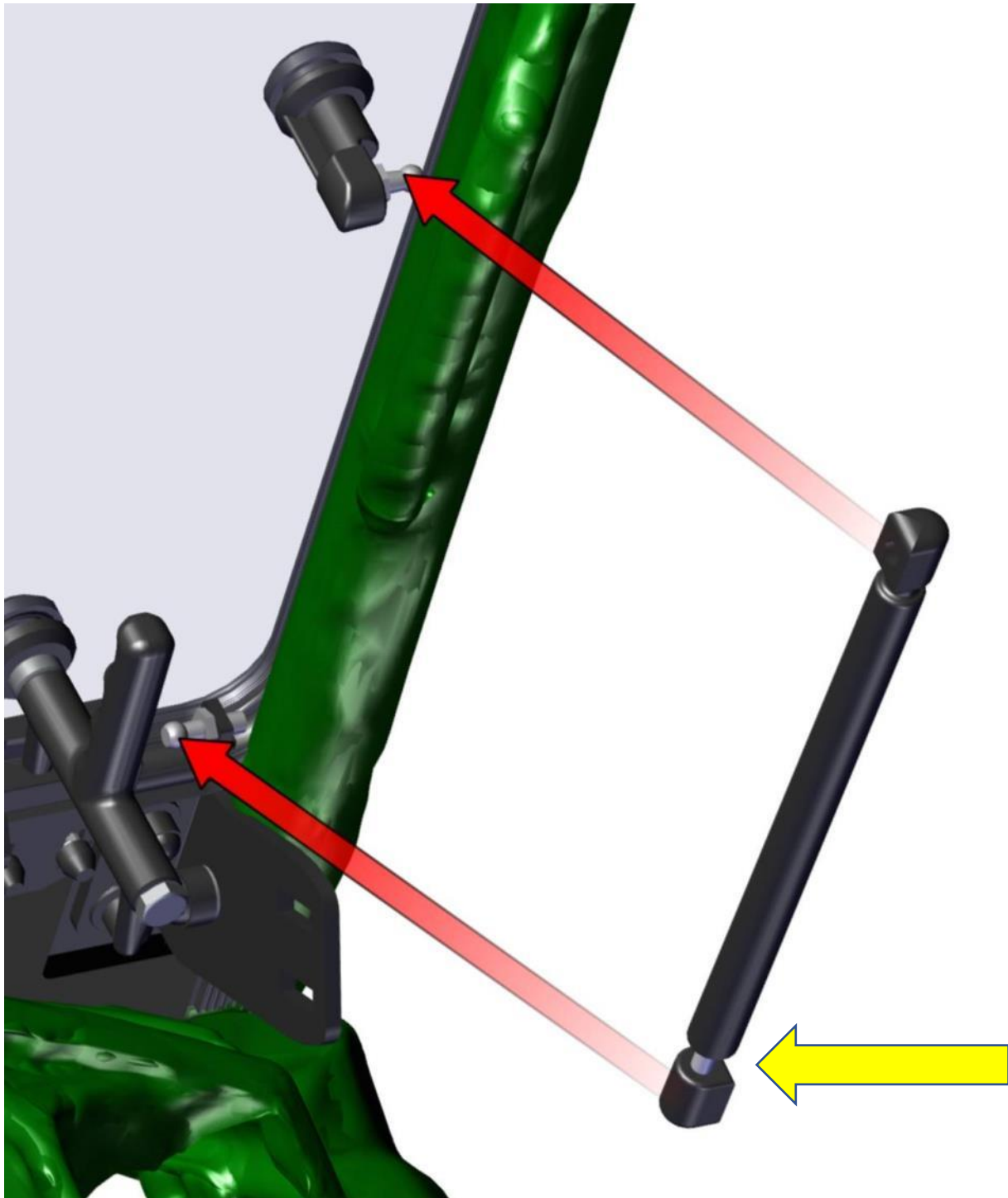
Place the front window assembly onto the front upper ledge and rest it into the frame.



Insert the provided screws through the attached hinges into the pre-drilled holes on the Upper Ledge. Bolt as shown below.



Install the gas springs into the gas spring holders on both sides. Be sure the exposed rod of the gas spring is on the bottom (yellow arrow).



If necessary, adjust the receiver brackets at bottom to hold windshield securely in place.

