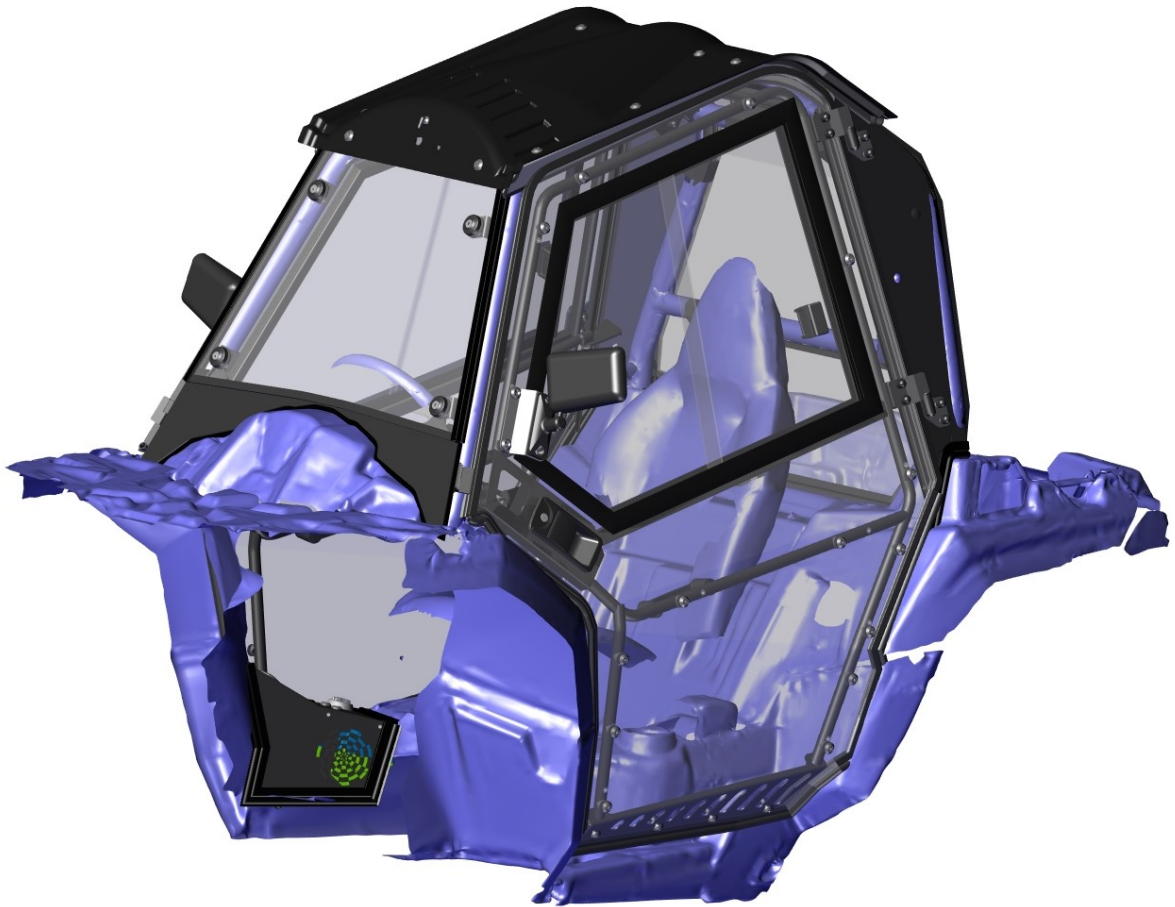


# *HardCabs*

*SPARE - PARTS CATALOG*

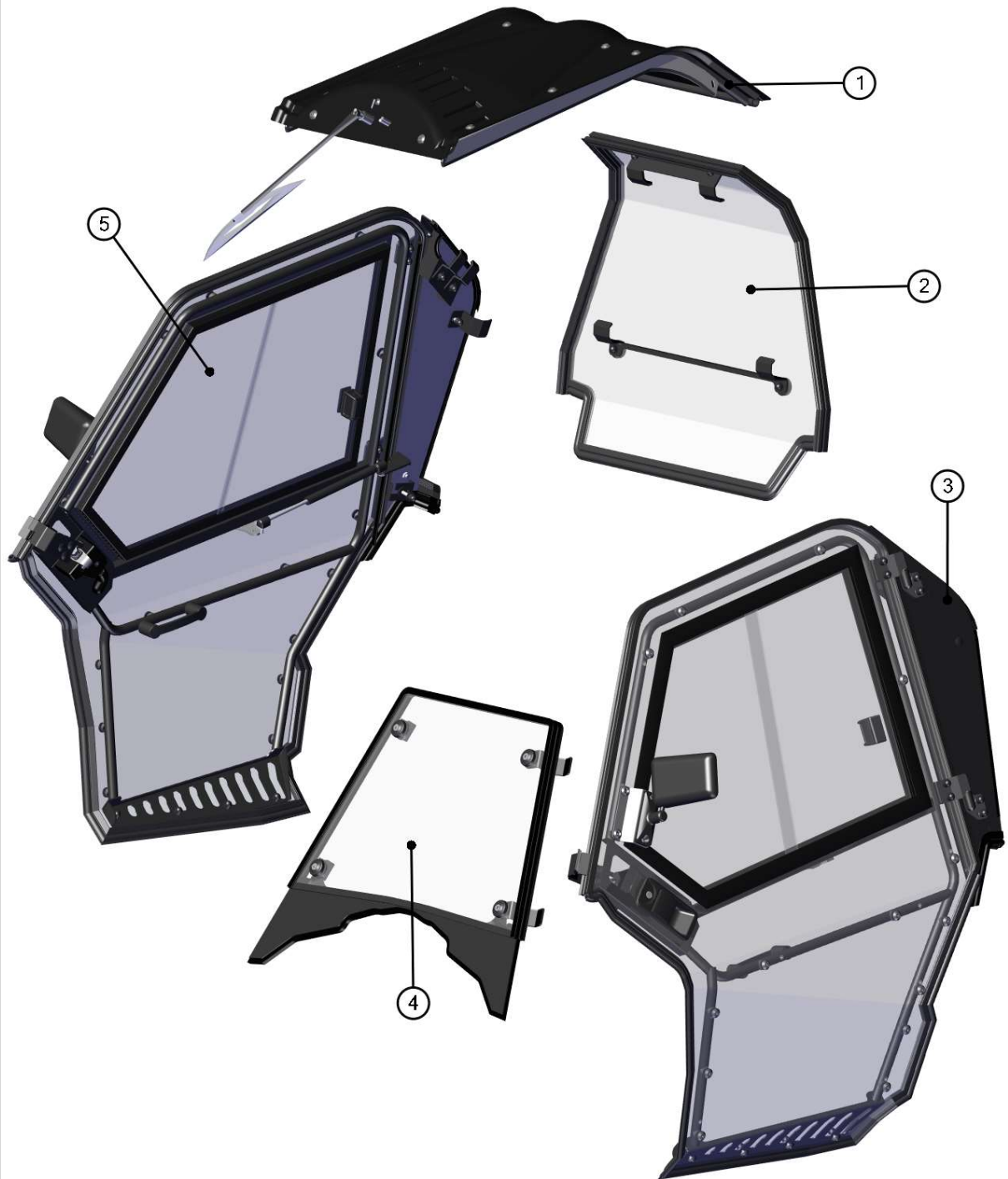
**POLARIS**

**ACE 570**



CAB PREVIEW

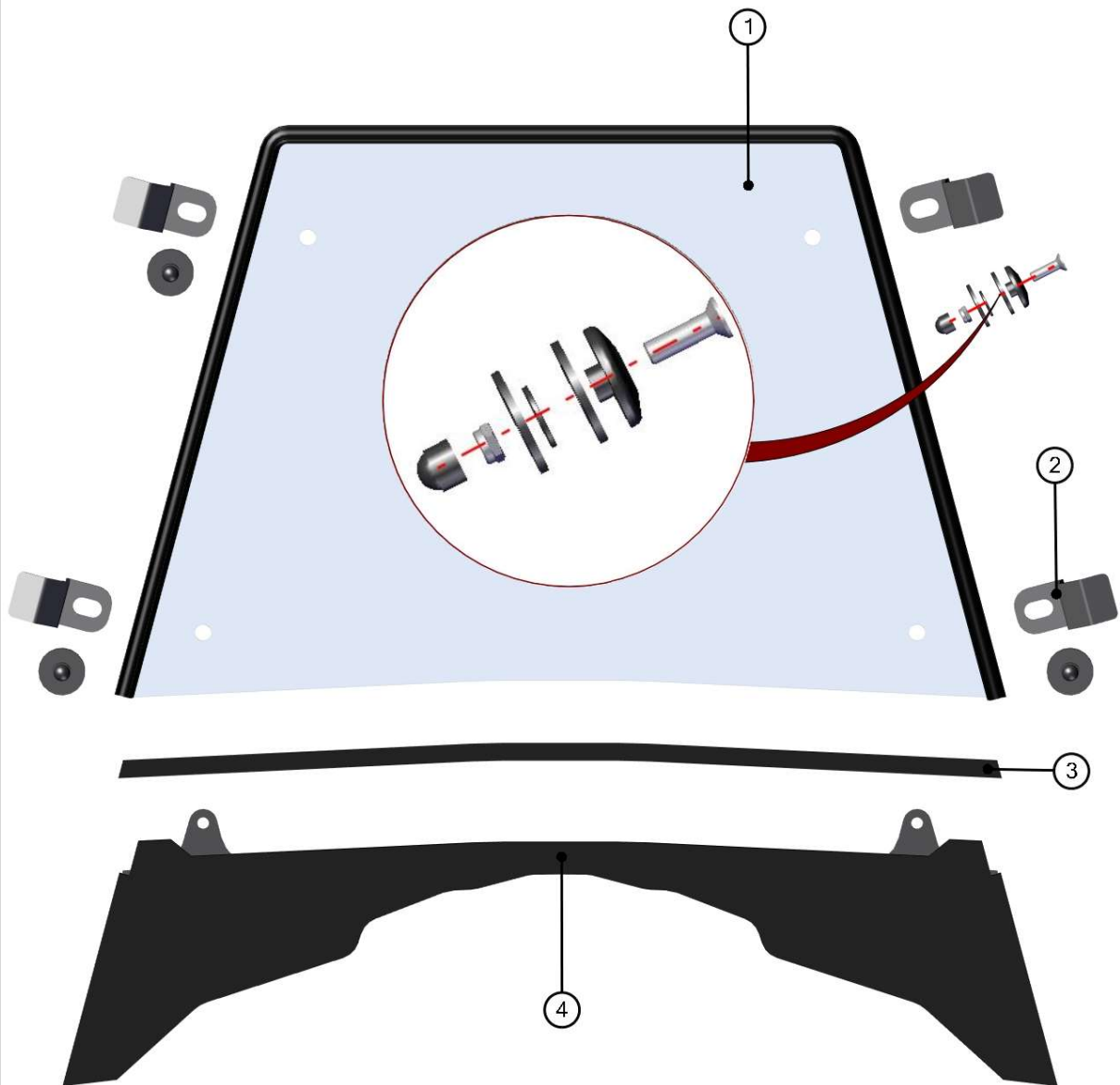




ID	Catalogue no.	Description	Qty
1	32S11U01S30	ROOF PANEL	1
2	32S11U01S20	REAR PANEL	1
3	32S11U01S40	LEFT DOOR	1
4	32S11U01S10	FRONT PANEL	1
5	32S11U01S50	RIGHT DOOR	1

FRONT PANEL

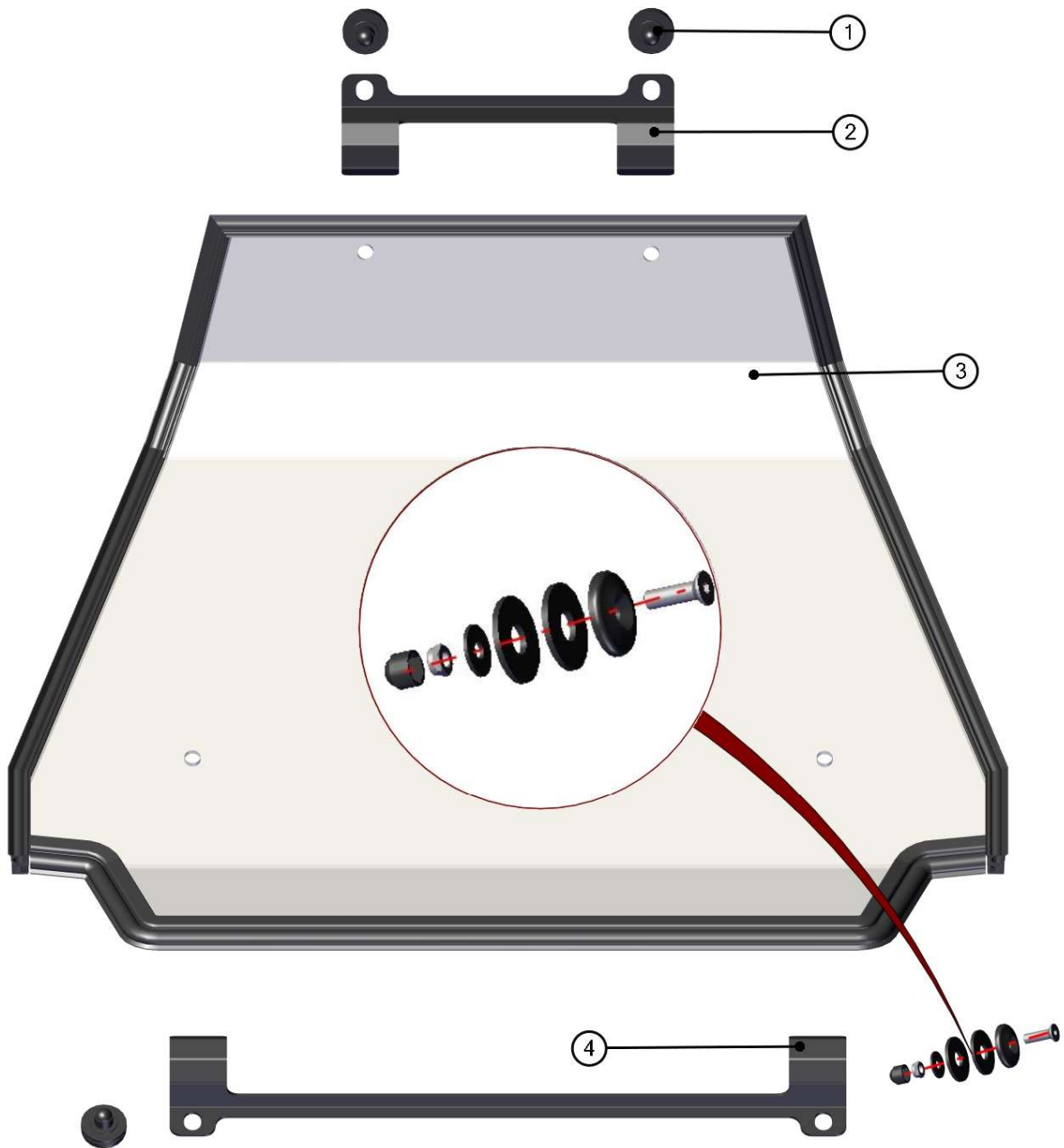




ID	Catalogue no.	Description	Qty
1	32S11U01-10M001	FRONT GLASS WITH SEALING	1
2	32S11U01-10M002	FRONT GLASS FIXING ASSEMBLY	4
3	001771~32S11U01-10M004	FRONT BOTTOM SEALING	1
4	32S11U01-10M005	FRONT BOTTOM LEDGE ASSEMBLY	1

REAR PANEL



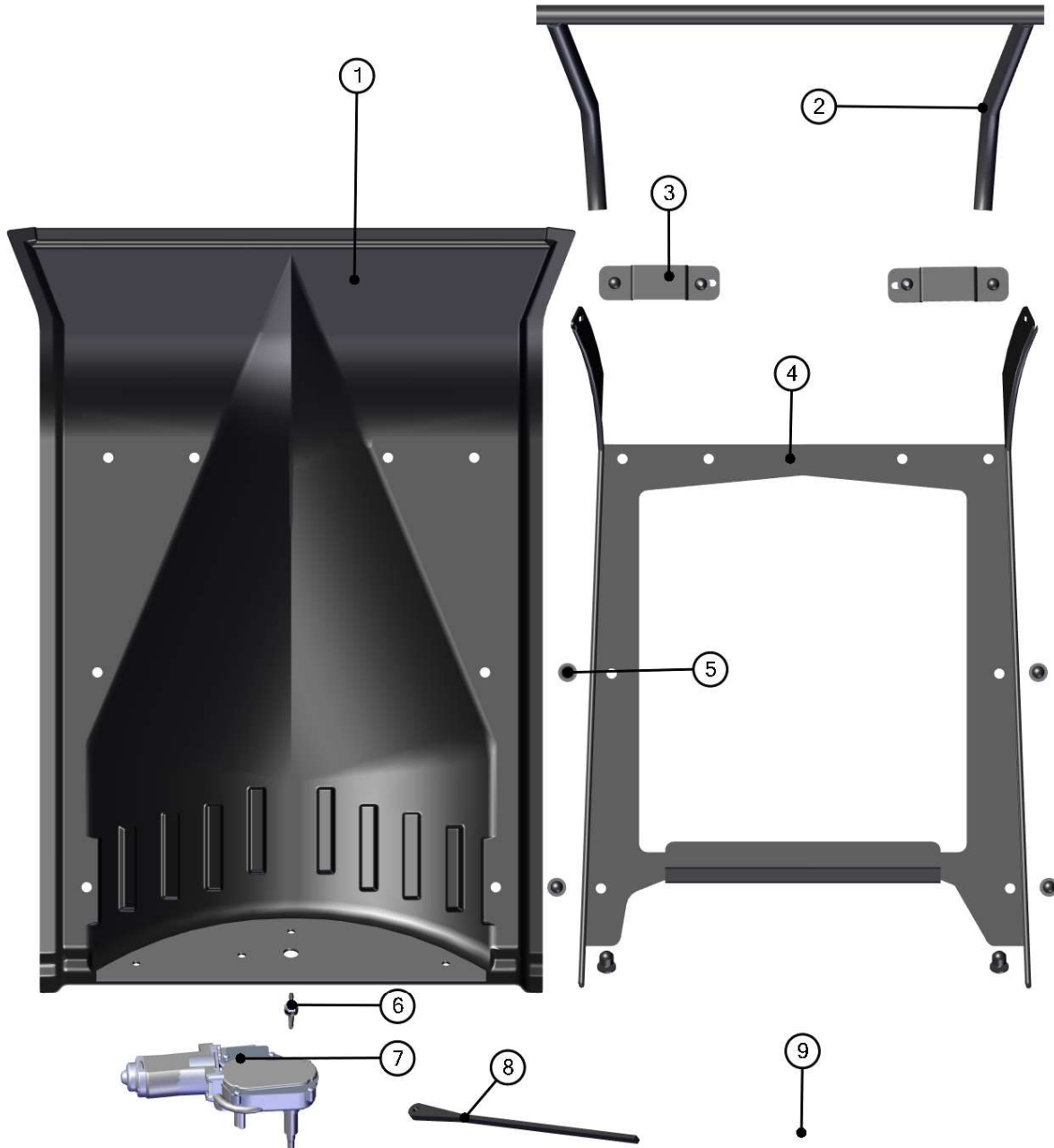


ID	Catalogue no.	Description	Qty
1	00-117U-M002	REAR GLASS FIXING ASSEMBLY	4
2	32S11U01-20M002	UPPER FIXING LEDGE	1
3	32S11U01-20M001	REAR WINDOW WITH SEALING	1
4	32S11U01-20M003	BOTTOM FIXING LEDGE	1

ROOF

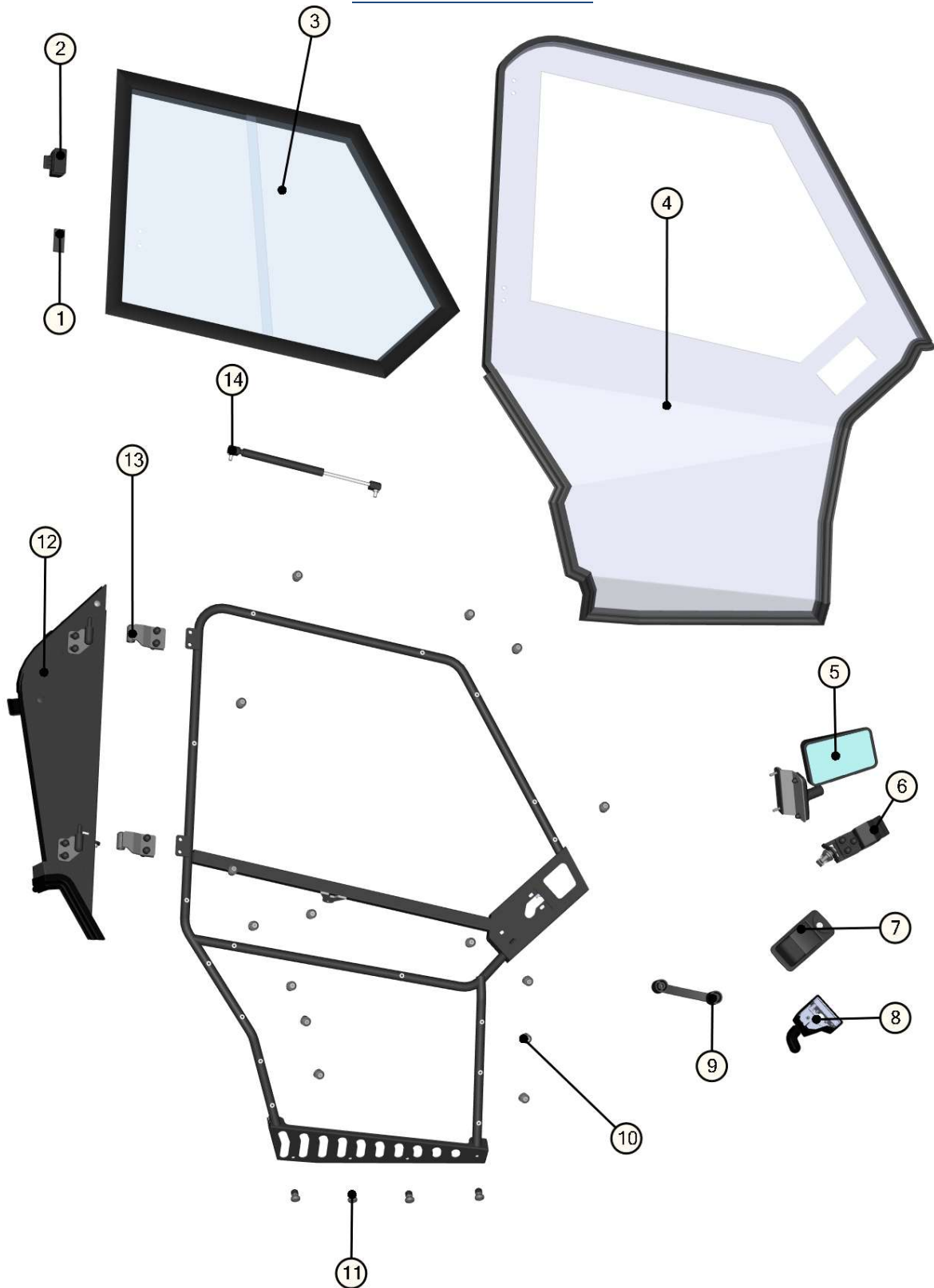






ID	Catalogue no.	Description	Qty
1	32S11U01-30M001	ROOF PANEL ASSEMBLY	1
2	001589^32S11U01-30M001	RUBBER PROFILE "APOLO"	1
3	32S11U01-30M002	ROOF HOLDER ASSEMBLY	2
4	32S11U01-30-002_01	ROOF FRAME	1
5	00-00M020	FIXING ASSEMBLY	6
6	001775	BUSHING WASHER HOSE	1
7	002764	WIPER MOTOR	1
8	001764	WIPER ARM	1
9	002544	WIPER LATH	1

LEFT DOOR + RIGHT DOOR



**LEFT TABLE**

ID	Catalogue no.	Description	Qty
1	00-023E03	GLASS STOP	1
2	001700	GLASS LOCK	1
3	32S11U01-40M011	LEFT WINDOW ASSEMBLY	1
4	32S11U01-40M007	LEFT POLYCARBONATE ASSEMBLY	1
5	00-109U-M004	LEFT DOOR MIRROR	1
6	32S11U01-40M008	LEFT DOOR STOP ASSEMBLY	1
7	000841	OUTER DOOR LOCK	1
8	00-50M019	LEFT DOOR LOCK ASSEMBLY	1
9	00-40M018	DOOR HANDLE ASSEMBLY	1
10	00-00M019	POLYCARBONATE FIXING ASSEMBLY	15
11	00-00M006	BOTOM POLYCARBONATE FIXING ASSEMBLY	4
12	32S11U01-40M001	DOOR BASE ASSEMBLY	1
13	00-105U-M003	LEFT DOOR HINGE ASSEMBLY	2
14	000868	GAS SPRING	1

**RIGHT TABLE**

ID	Catalogue no.	Description	Qty
1	00-023E03	GLASS STOP	1
2	001700	GLASS LOCK	1
3	32S11U01-50M011	RIGHT WINDOW ASSEMBLY	1
4	32S11U01-50M007	RIGHT POLYCARBONATE ASSEMBLY	1
5	00-109U-M004	RIGHT DOOR MIRROR	1
6	32S11U01-50M008	RIGHT DOOR STOP ASSEMBLY	1
7	000841	OUTER DOOR LOCK	1
8	00-50M019	RIGHT DOOR LOCK ASSEMBLY	1
9	00-40M018	DOOR HANDLE ASSEMBLY	1
10	00-00M019	POLYCARBONATE FIXING ASSEMBLY	15
11	00-00M006	BOTTOM POLYCARBONATE FIXING ASSEMBLY	4
12	32S11U01-50M001	RIGHT DOOR BASE ASSEMBLY	1
13	00-105U-M003	RIGHT DOOR HINGE ASSEMBLY	2
14	000868	GAS SPRING	1

ELECTROINSTALLATION

Position	Catalogue no.	Description	Qty
1	004322	SWITCH WIPER /WASHER /OFF	1
2	000885	WASHER TANK	1
3	001576	WASHER MOTOR	1
4	002875	FUSE BOX	1
5	005042	WIPER MOTOR 12V	1
6	002018	GROMMET	1
7	32S11U01-02M004	HEATER HARNESS	1
8	32S11U01-01M002	WIPER HARNESS	1
9	32S11U01-03M002	WASHER HARNESS	1
10	002705	AL. TAPE	1
11	003536	"Y" COUPLING 14-18-14	1
12	002502	"Y" COUPLING 25-25-16	1
13	002386	EL. VALVE	1
14	001367	TIGHTENING STRAP 12-22	8
15	001368	TIGHTENING STRAP 40-60	6
16	002863	AIR VENT	2
17	002702	HEATER SWITCH	1
18	32S11U01-02M002	HEATER HOLDER ASSEMBLY	1
19	002391	EL. VALVE SWITCH	1
20	000896	HEATER HOSES	1
21	002795	HOT AIR HOSES	1
22	004307	HEATER	1



**Position : 1**

**Catalogue no.: 004322**



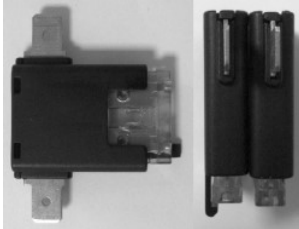
**Position : 2**

**Catalogue no.: 000885**



**Position : 3**

**Catalogue no.: 001576**



**Position : 4**

**Catalogue no.: 002875**



**Position : 5**

**Catalogue no.: 005042**



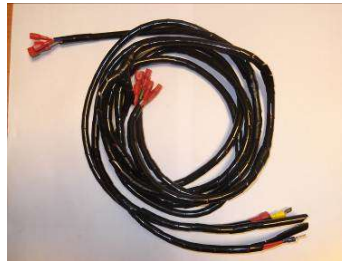
**Position :6**

**Catalogue no.: 002018**



**Position :7**

**Catalogue no.: 32S11U01-02M004**




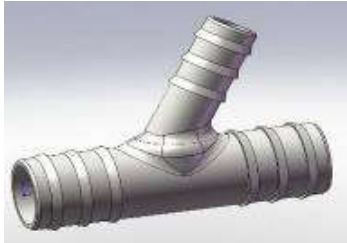
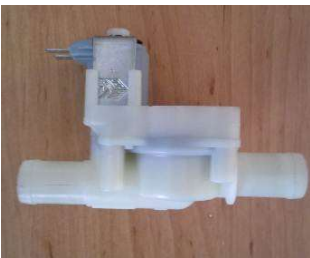




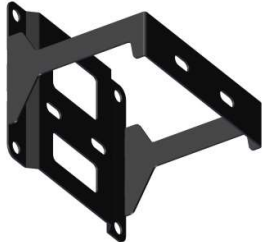
**Position :8**

**Catalogue no.: 32S11U01-01M002**



**Position :9**

**Catalogue no.: 32S11U01-03M002**

		
<p><b>Position : 10</b></p>	<p><b>Position : 11</b></p>	<p><b>Position : 12</b></p>
<p><b>Catalogue no.: 002705</b></p>	<p><b>Catalogue no.: 003536</b></p>	<p><b>Catalogue no.: 002502</b></p>
		
<p><b>Position : 13</b></p>	<p><b>Position : 14</b></p>	<p><b>Position :15</b></p>
<p><b>Catalogue no.: 002386</b></p>	<p><b>Catalogue no.: 001367</b></p>	<p><b>Catalogue no.: 001368</b></p>
		
<p><b>Position :16</b></p>	<p><b>Position :17</b></p>	<p><b>Position :18</b></p>
<p><b>Catalogue no.: 002863</b></p>	<p><b>Catalogue no.: 002702</b></p>	<p><b>Catalogue no.:32S11U01-02M002</b></p>



**Position : 19**

**Catalogue no.: 002391**



**Position : 20**

**Catalogue no.: 000896**



**Position : 21**

**Catalogue no.: 002795**



**Position : 22**

**Catalogue no.: 004307**

**Position : 23**

**Catalogue no.:**

**Position :24**

**Catalogue no.:**