

HardCabs

INSTALLATION INSTRUCTIONS

MAHINDRA
ROXOR2



SAFETY INSTRUCTIONS

Warning: Failure to heed all safety and operating instructions and warnings regarding use of this product can result in serious bodily injury.

THOROUGHLY READ COMPLETE ASSEMBLY INSTRUCTIONS BEFORE BEGINNING ASSEMBLY

Install all parts indicated in assembly instructions. Failure to fully assemble product before use could result in personal injury.

Assembly of product requires use of hand or power tools. If you are not experienced in using these types of tools, have product dealer do the install for you.

Some parts contain sharp edges, wear protective gloves if necessary. Always keep your assembly area clean, uncluttered and well lit.

Keep visitors and children a safe distance away from the assembly area. Visitors should wear the same safety equipment described above.

Never operate your UTV with the cab doors open. Failure to properly latch the doors before moving the vehicle could result in serious injury.

Dress for safety. DO NOT wear loose clothing, gloves, neckties or jewelry if using power tools to assemble this product. Install all nut covers after you finish installation.

Never drive your UTV with the cab front window in open position.

Failure of improperly latched/locked front window before driving the vehicle could result in serious injury.

PREPARATION FOR INSTALLATION:

Uninstall all additional systems from the roll cage (i.e handles, work lights, rear mirrors, drink holders etc.)

CAB PREVIEW



4

DETAIL HANDLE VIEW



REAR PANEL 1.

Adjust the original cargo-holder to neutral position.



6

IMPORTANT!!

IF YOU ARE INSTALLING THE ROXOR4 (4 PASSENGER) VERSION OF THE CAB, DO NOT INSTALL THE BACK PANEL AND SKIP AHEAD TO PAGE 11

Loosen the holders screws and adjust the rear bottom assembly holders to neutral position (red circles).

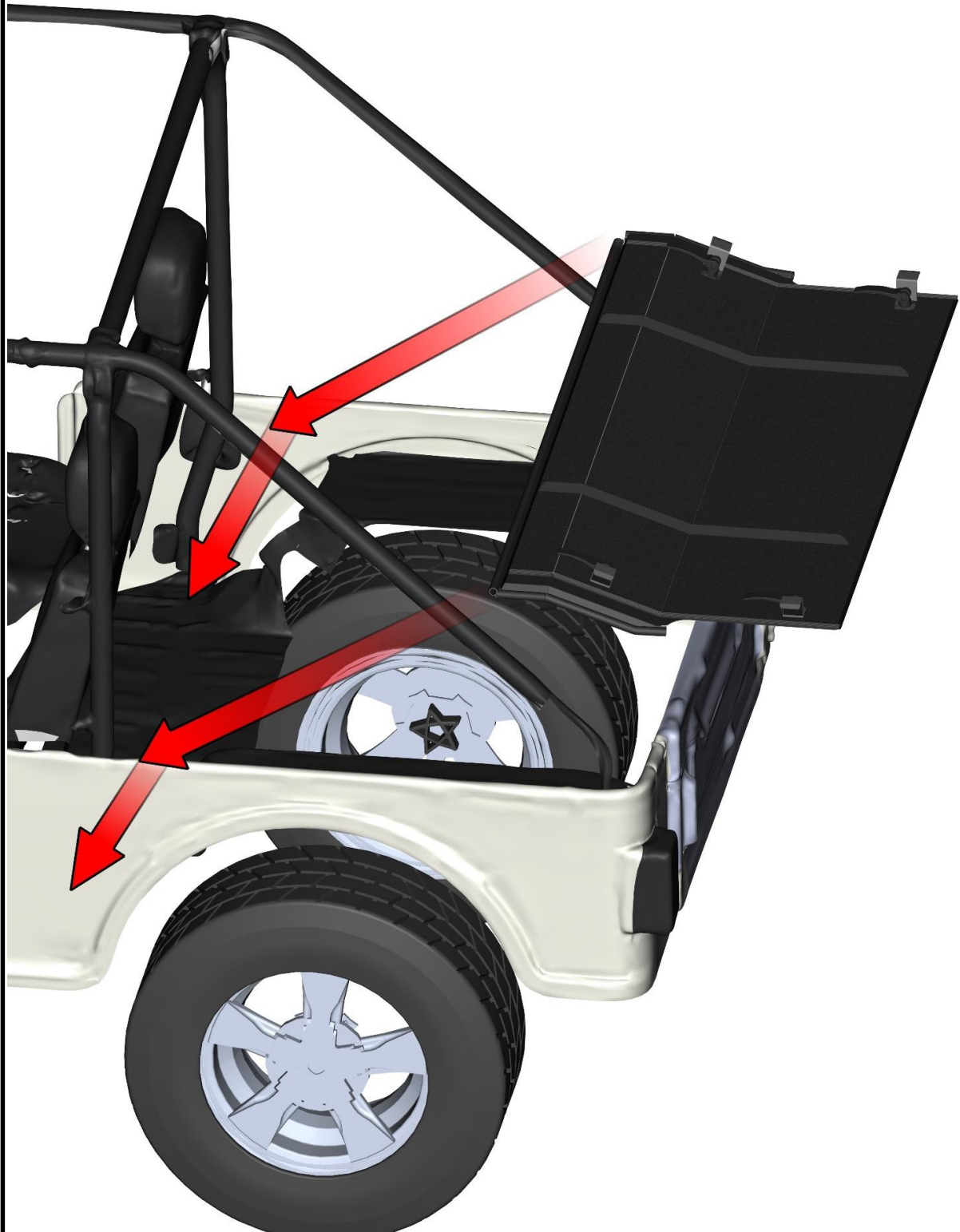


7

Turn the rear bottom assembly to horizontal position.



Place the rear bottom assembly into the cargo space. Push the rear bottom assembly to the cargo floor (around the wheel cover).



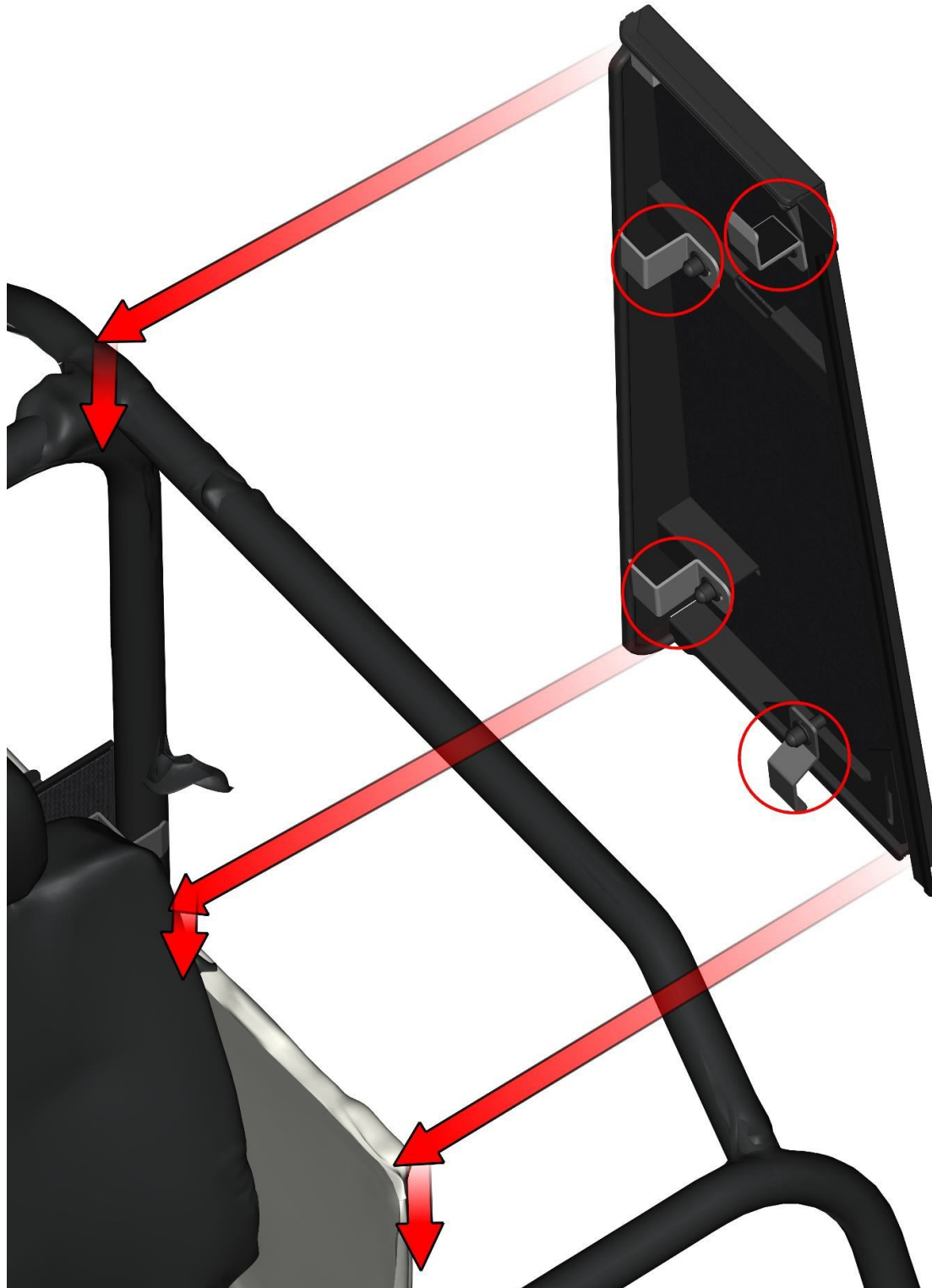
Turn the bottom rear assembly to vertical position.
Press the assembly to the floor and to the vehicle frame.
Adjust the holders to the best position and tighten screws correctly.



10

LEFT DOOR + RIGHT DOOR

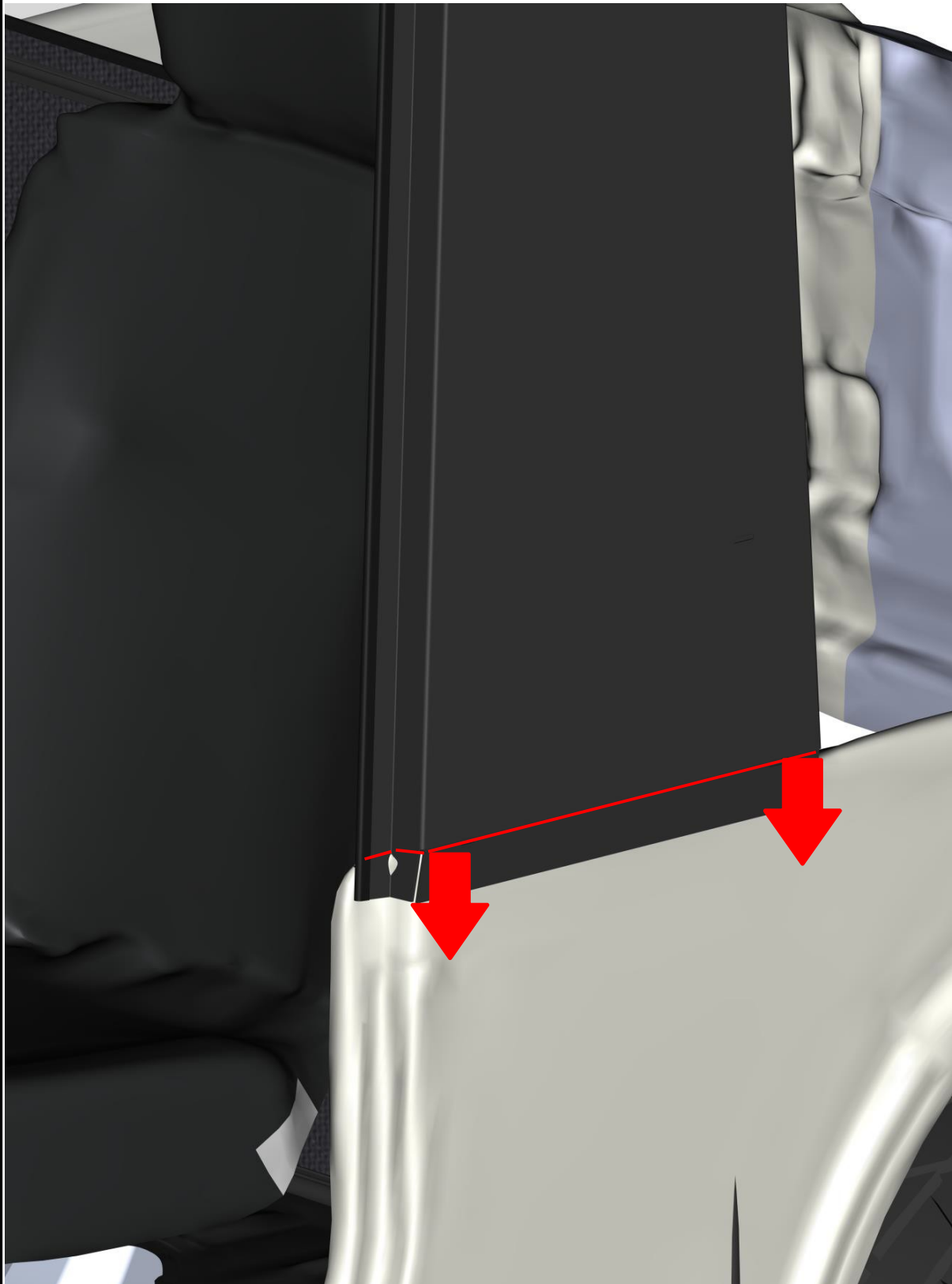
Loosen the holder screws and adjust the left base holder to the best position. Place the base onto the vehicle frame.



Adjust the base holders to the best position. It is necessary to mount the door base to the best position. SEE NEXT PAGES

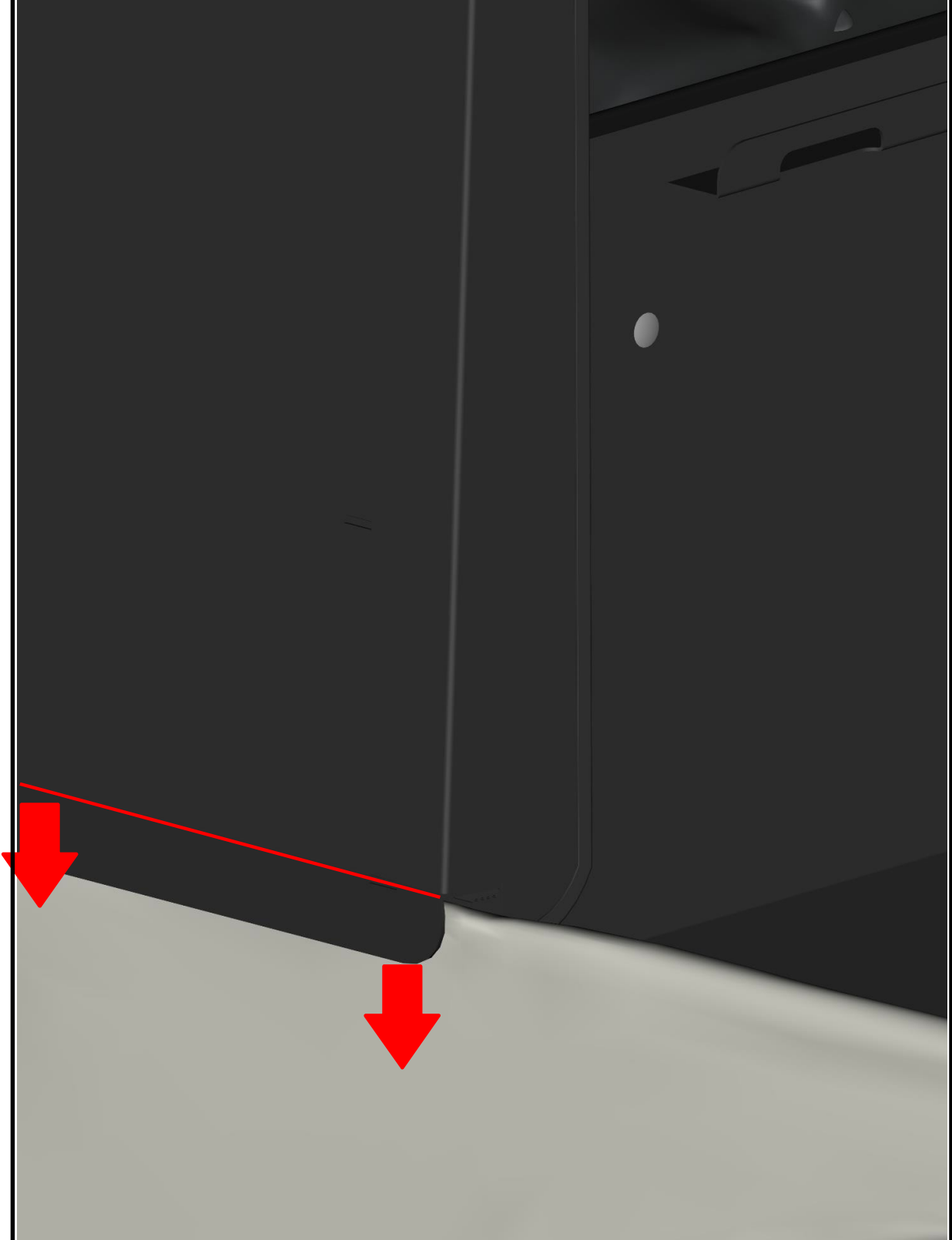


Push the base over the vehicle side cover (detail view).



13

Push the base over the vehicle side cover (detail view).



14

Repeat previous steps with the right door base.

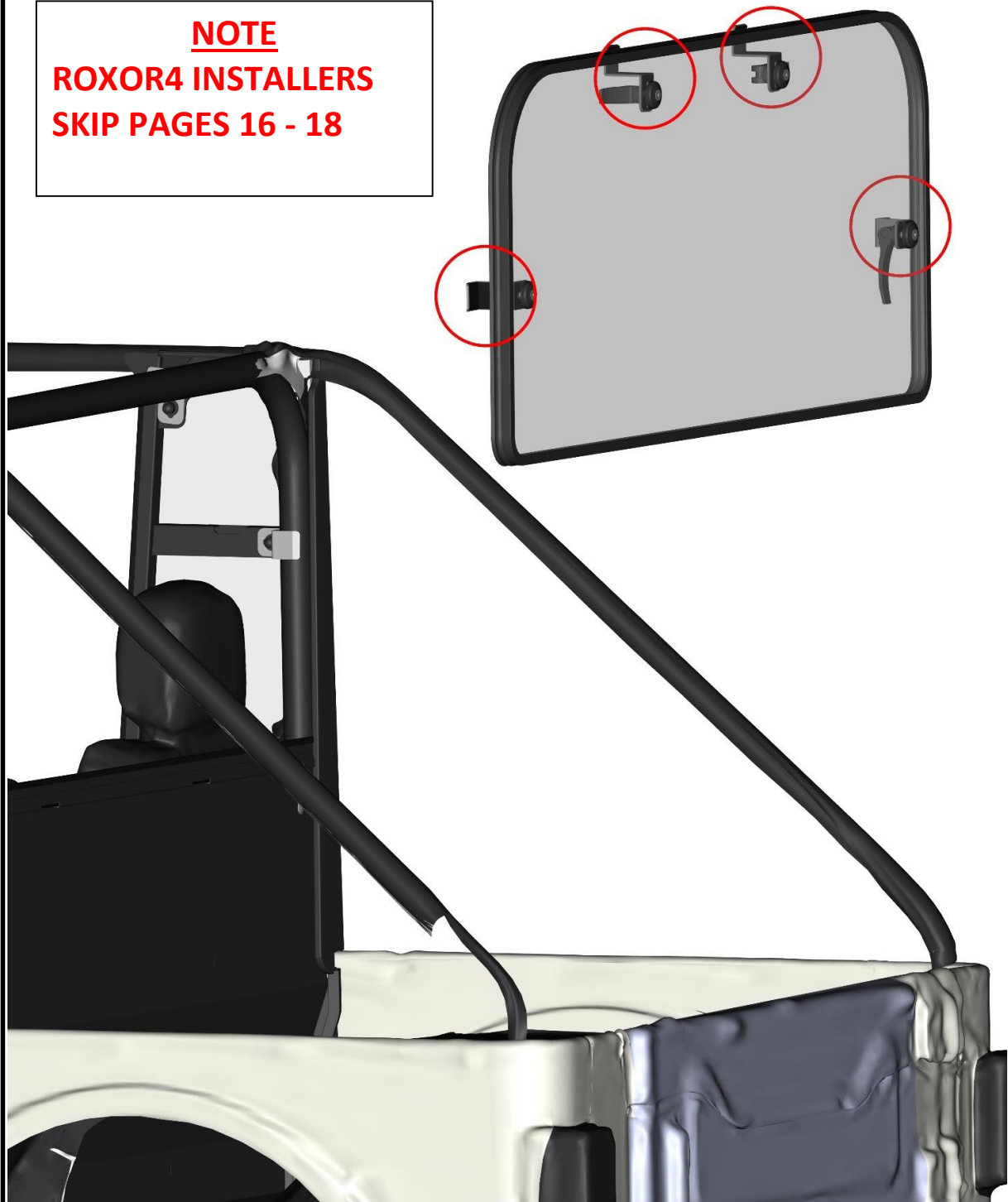


15

REAR PANEL 2.

Loosen the holder screws
and turn rear glass holders to the neutral position.

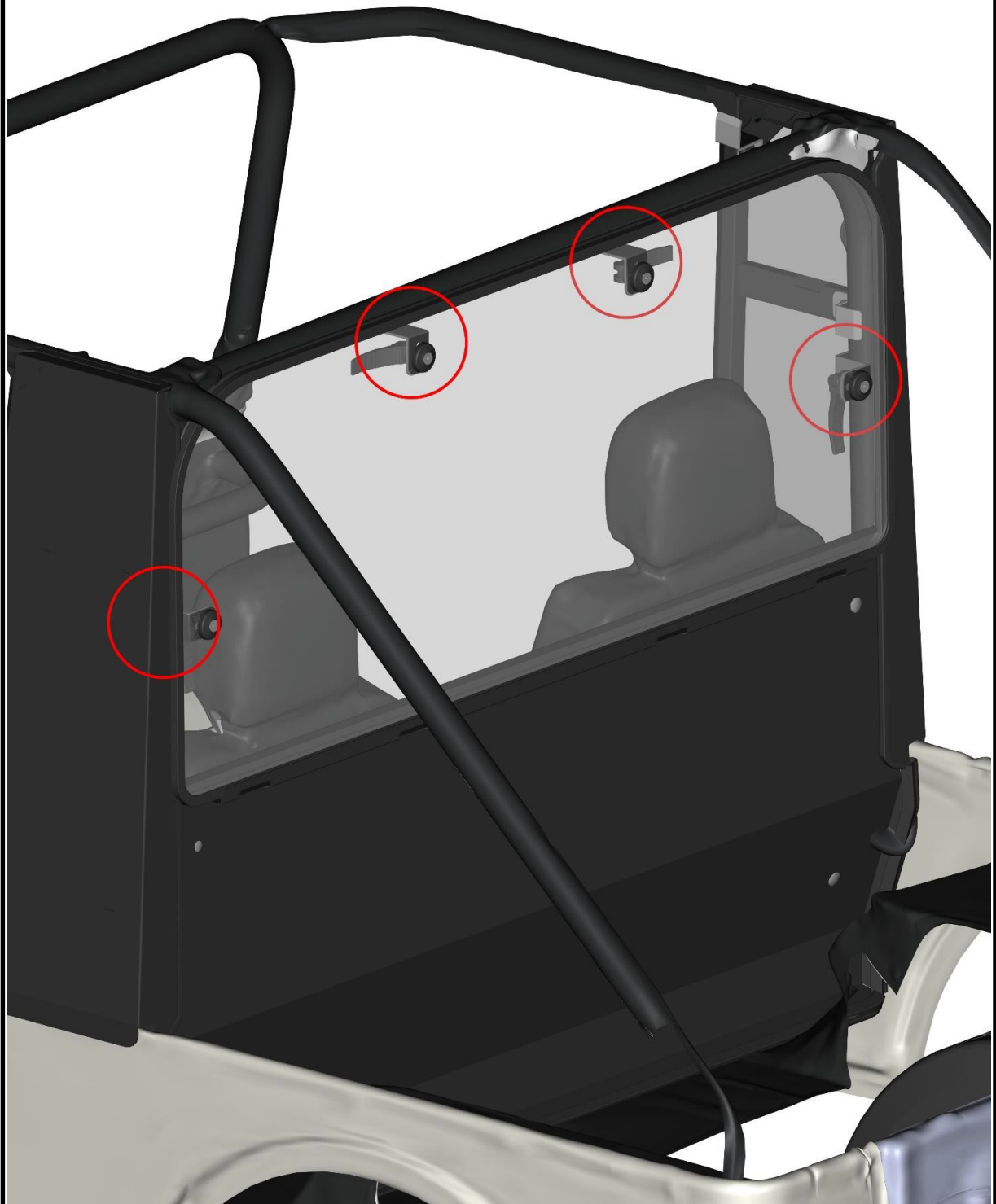
NOTE
ROXOR4 INSTALLERS
SKIP PAGES 16 - 18



Place the rear window assembly onto the vehicle frame, door bases and rear bottom assembly.



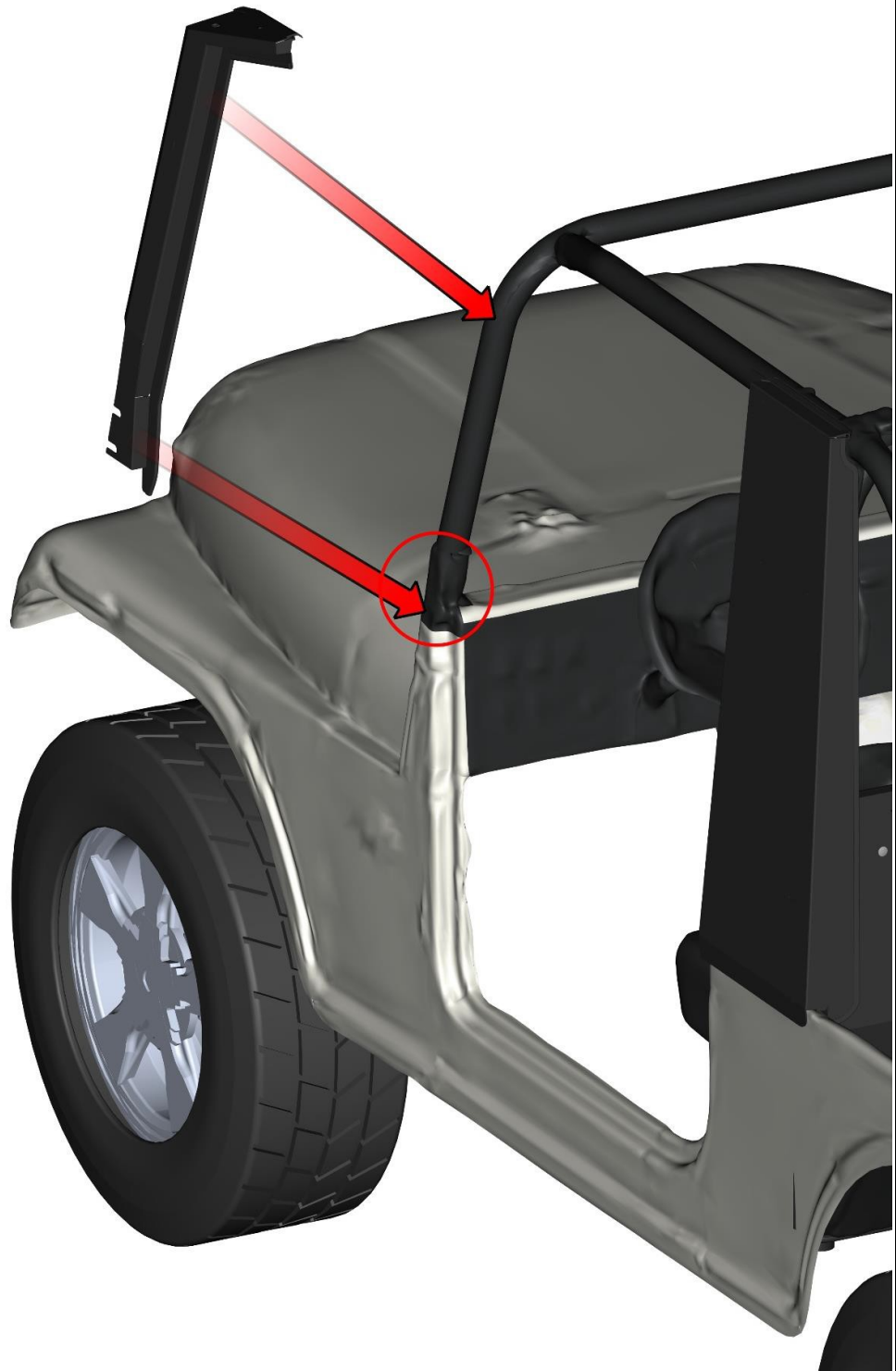
Adjust the rear window holders to the best position and tighten screws correctly.



18

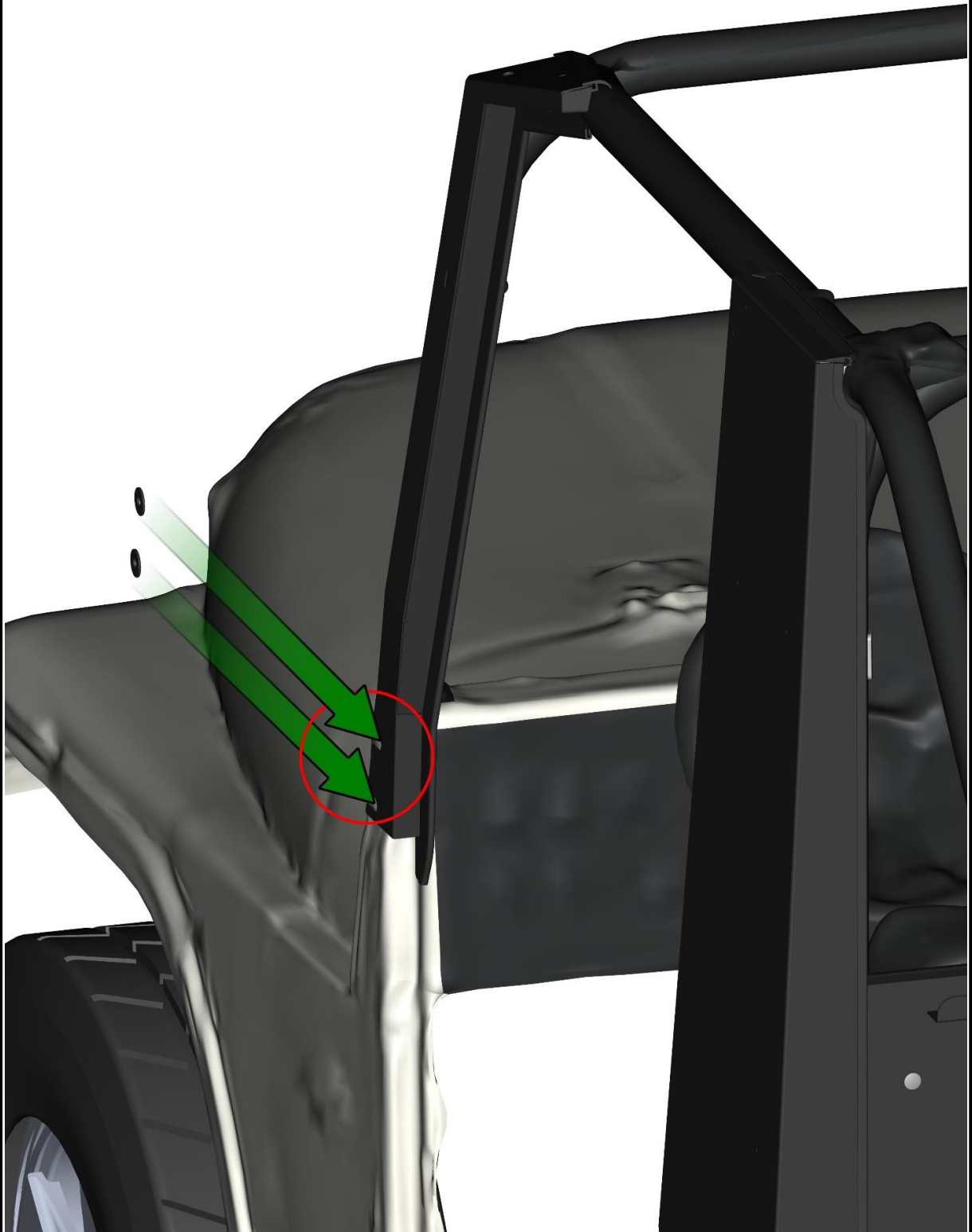
LEFT DOOR + RIGHT DOOR 2.

Loosen original screws (red circle) and place the front left cover assembly onto the vehicle frame.



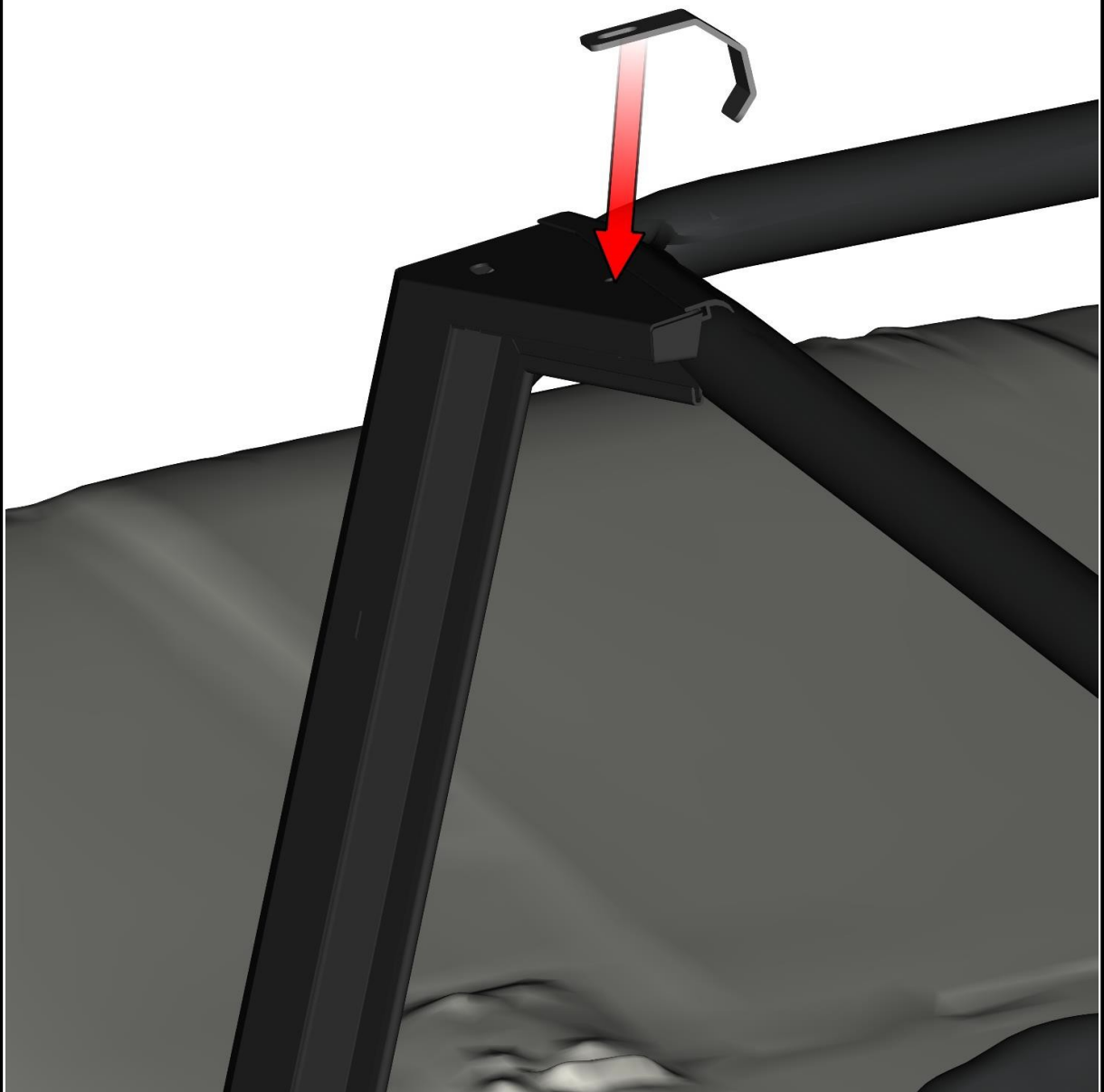
19

Fix the ledge with the vehicle using original screws (from previous page) and washers (included).



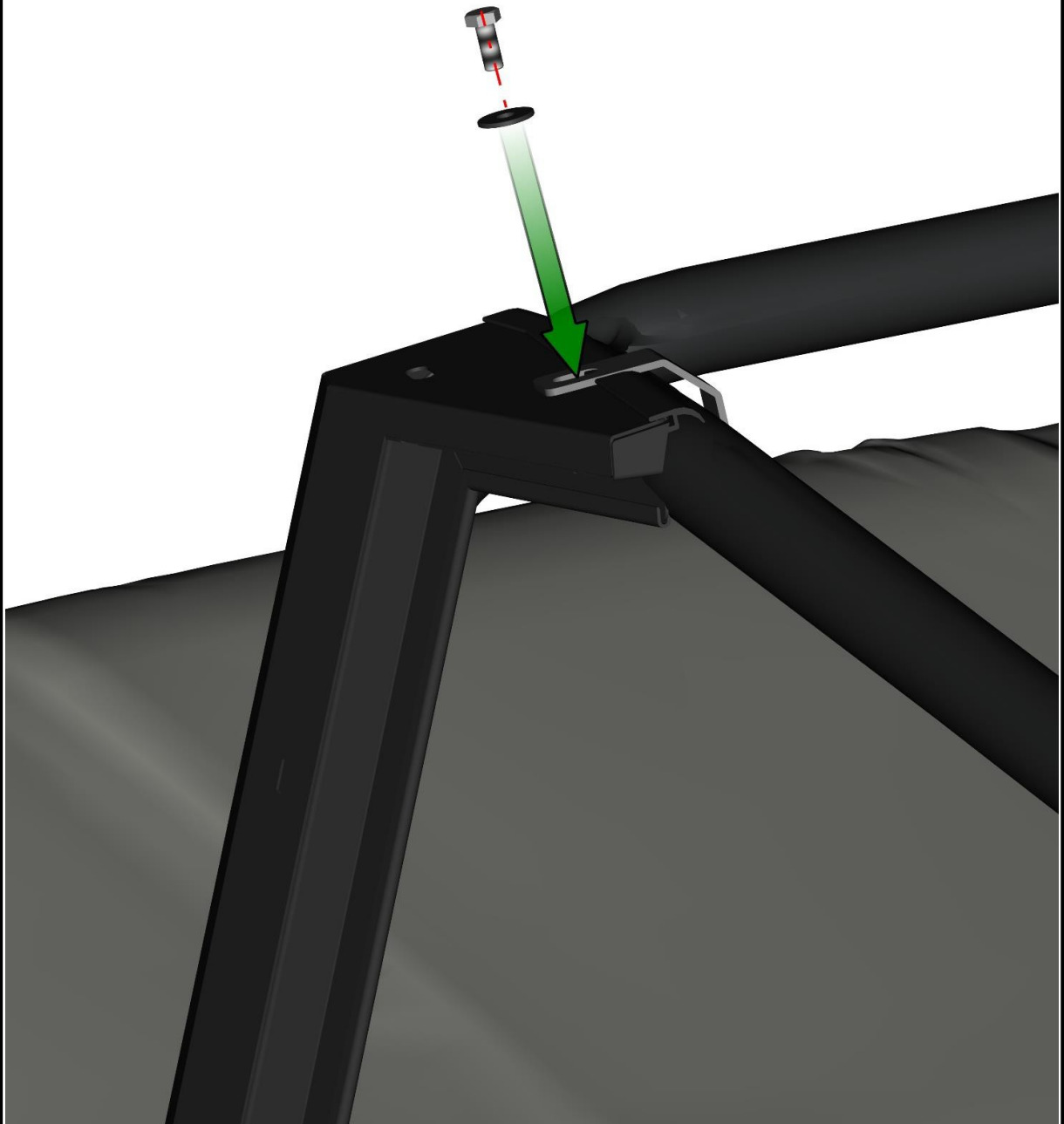
20

Place the front upper holder onto the cover and onto the vehicle frame.



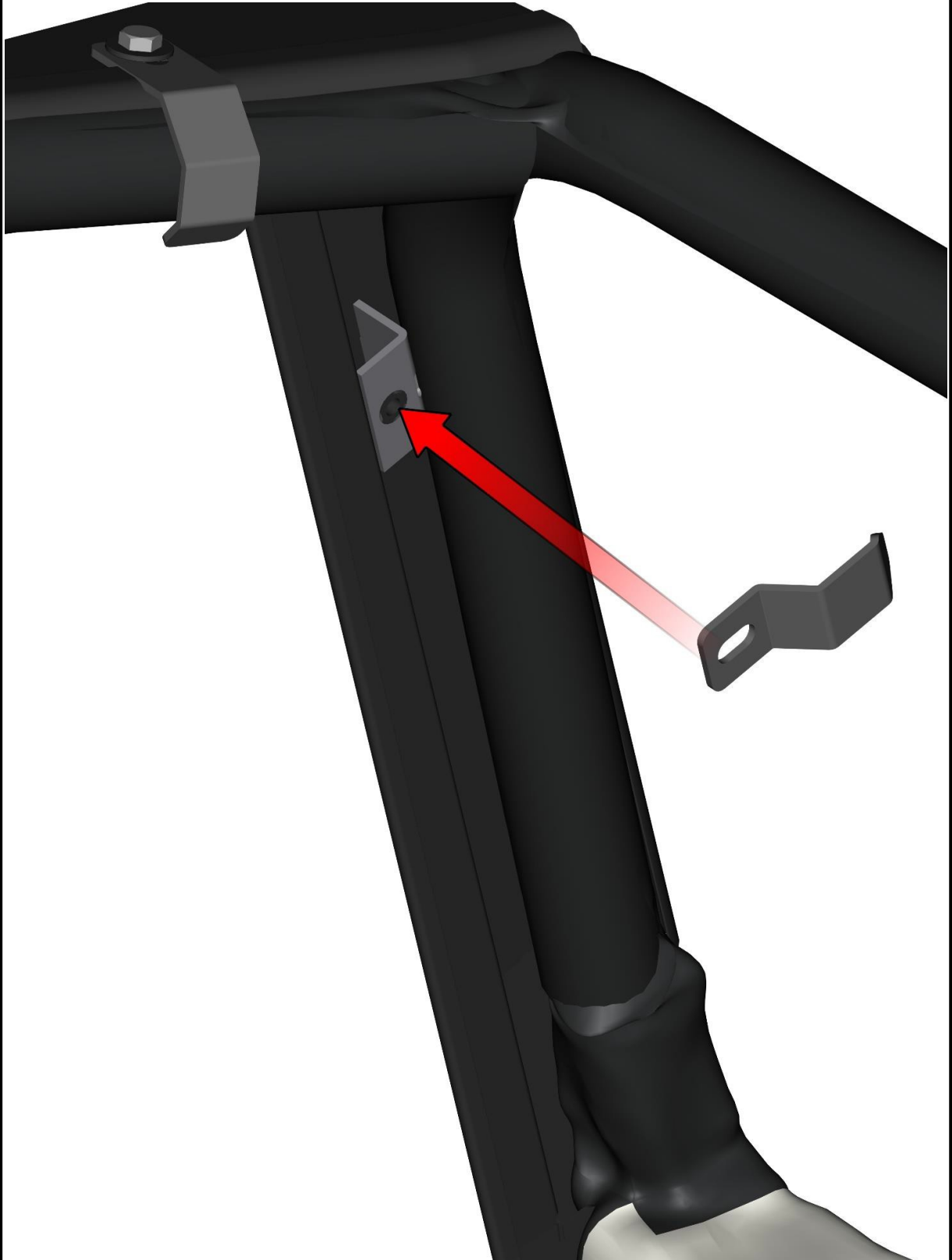
21

Fix the holder with the cover with screw and washer (included).



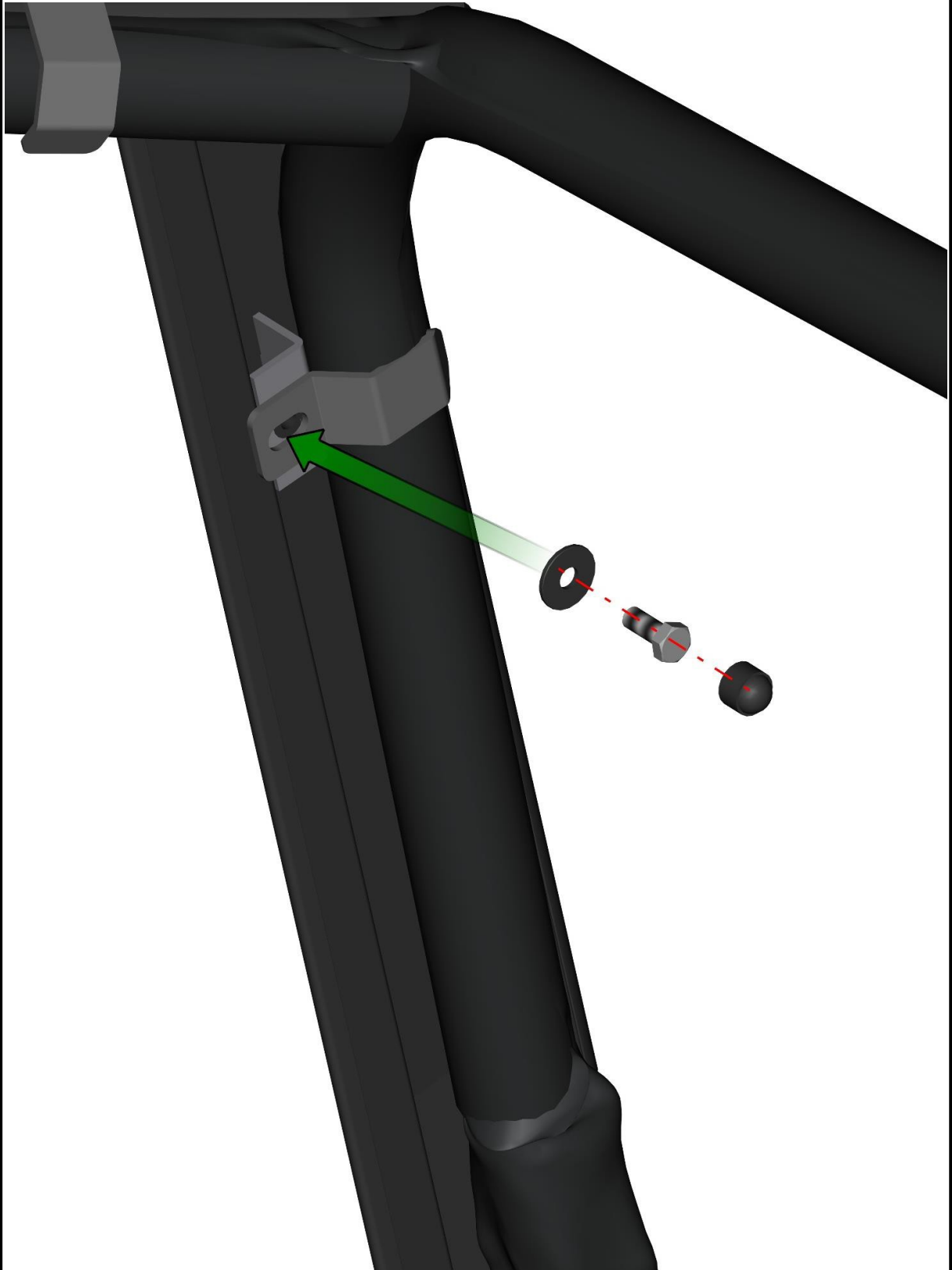
22

Place the central holder onto the cover.



23

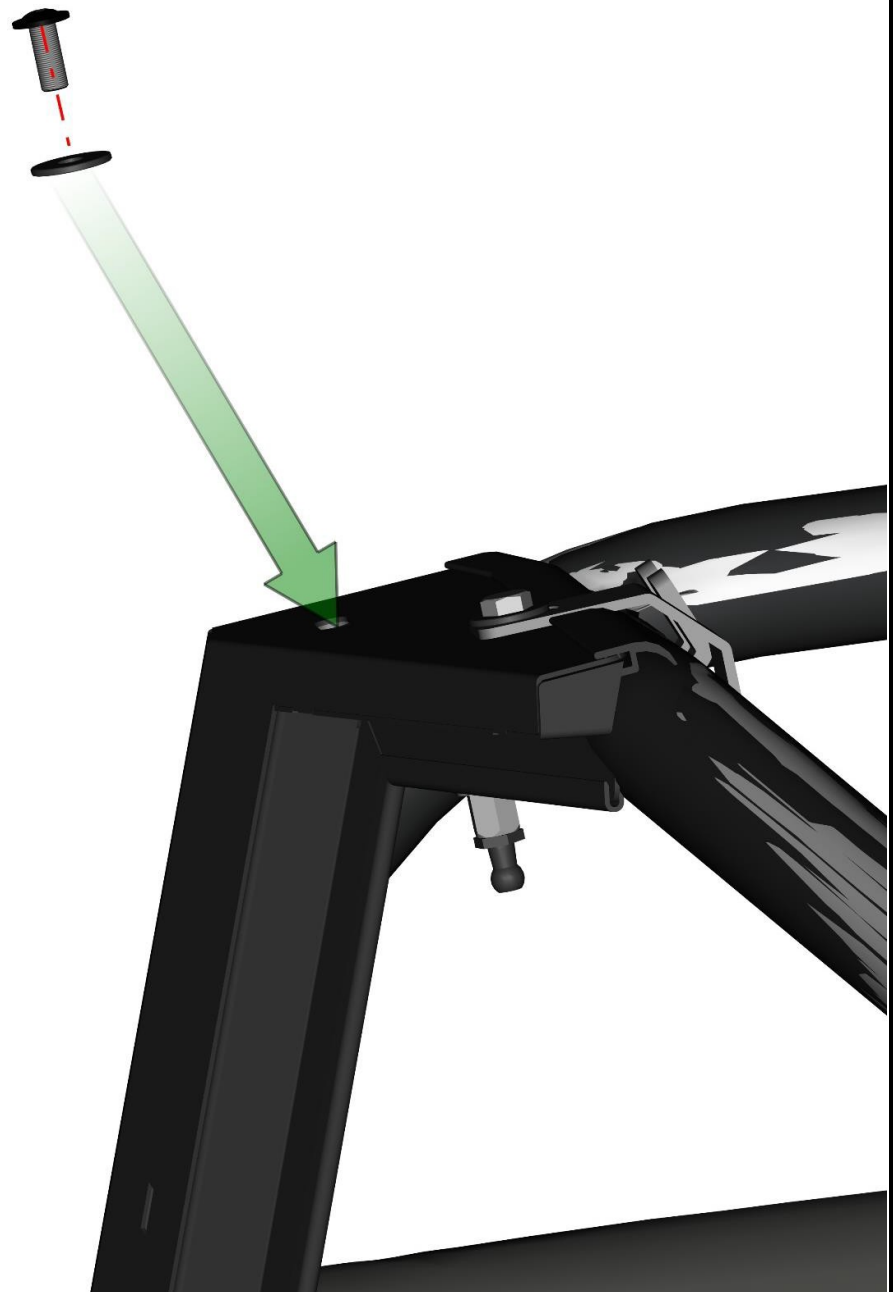
Fix the holder with the cover using included screw, washer and nut.



Loosen the original frame screw (red circle).
Place the left gas spring holder onto the vehicle frame.



Fix the gas spring holder with the front left cover by with screw and washer. Tighten original frame screw from previous page.



Repeat previous steps on the right side.



27

FRONT PANEL

Loosen original screws from the vehicle.
Place the front bottom ledge onto the vehicle.

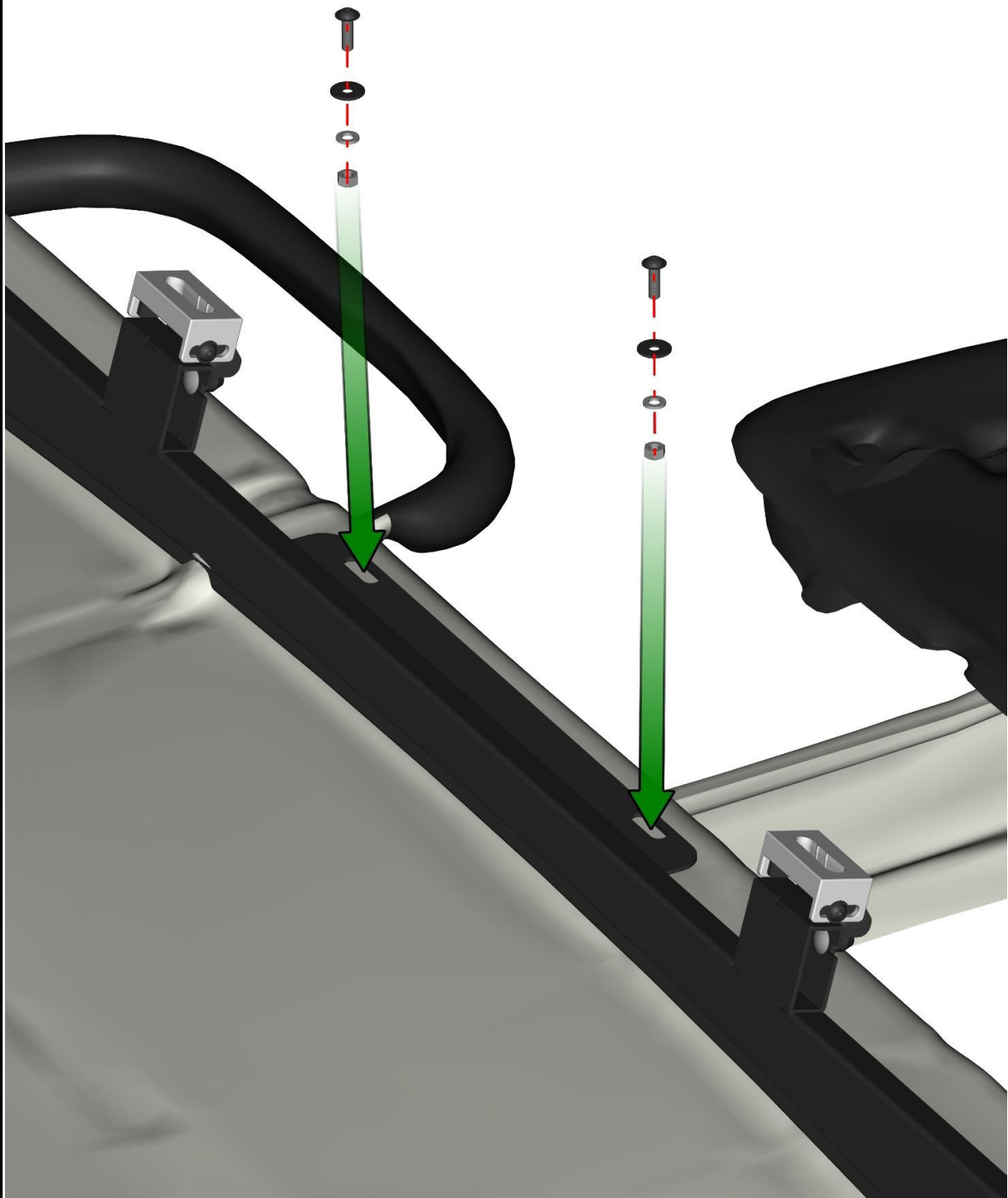


Fix the ledge with the vehicle by original screws (from previous page) and included washers.



29

Fix the ledge with the vehicle using included screws, washers and nuts.



30

Loosen the holders screws and adjust the front upper ledge holders to neutral position. Place the ledge onto the covers.



31

Adjust the holders to the best position and tighten screws slightly.



32

NOTE: IF NOT INSTALLING WIPER SKIP TO PAGE 40

WIPER SET

View onto the wiper motor with the cover and with the middle ledge.



33

Place the washer onto the wiper longer pin.



Place the washer onto shorter wiper pin.



View onto installed washers.



Place the wiper assembly onto the front glass from inner side.



35

Insert these washers onto the wiper's pins and onto the glass from outer side.



Fix the wiper motor with the front glass by included nuts and tighten these correctly.



Install the wiper arm onto the wiper pin.



Fix the wiper arm with the wiper motor pin by included nut.
Insert plastic holder onto the wiper latch pin in correct position



37

View onto the installed plastic holder.



Insert the wiper arm hook onto the wiper latch plastic holder and press it into the correct position.



38

View onto installed wiper arm hook.

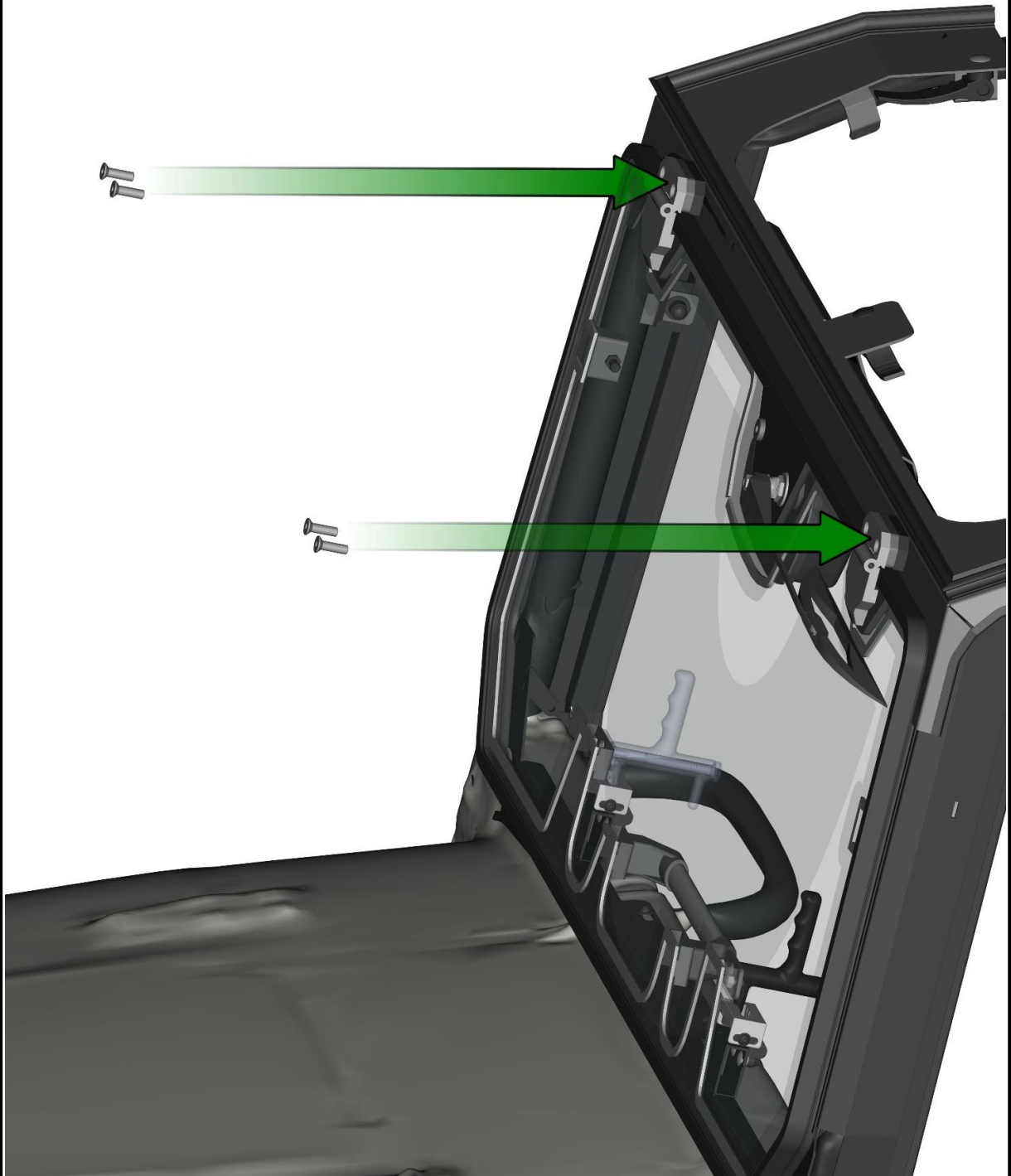


Place the window assembly onto the front upper ledge.



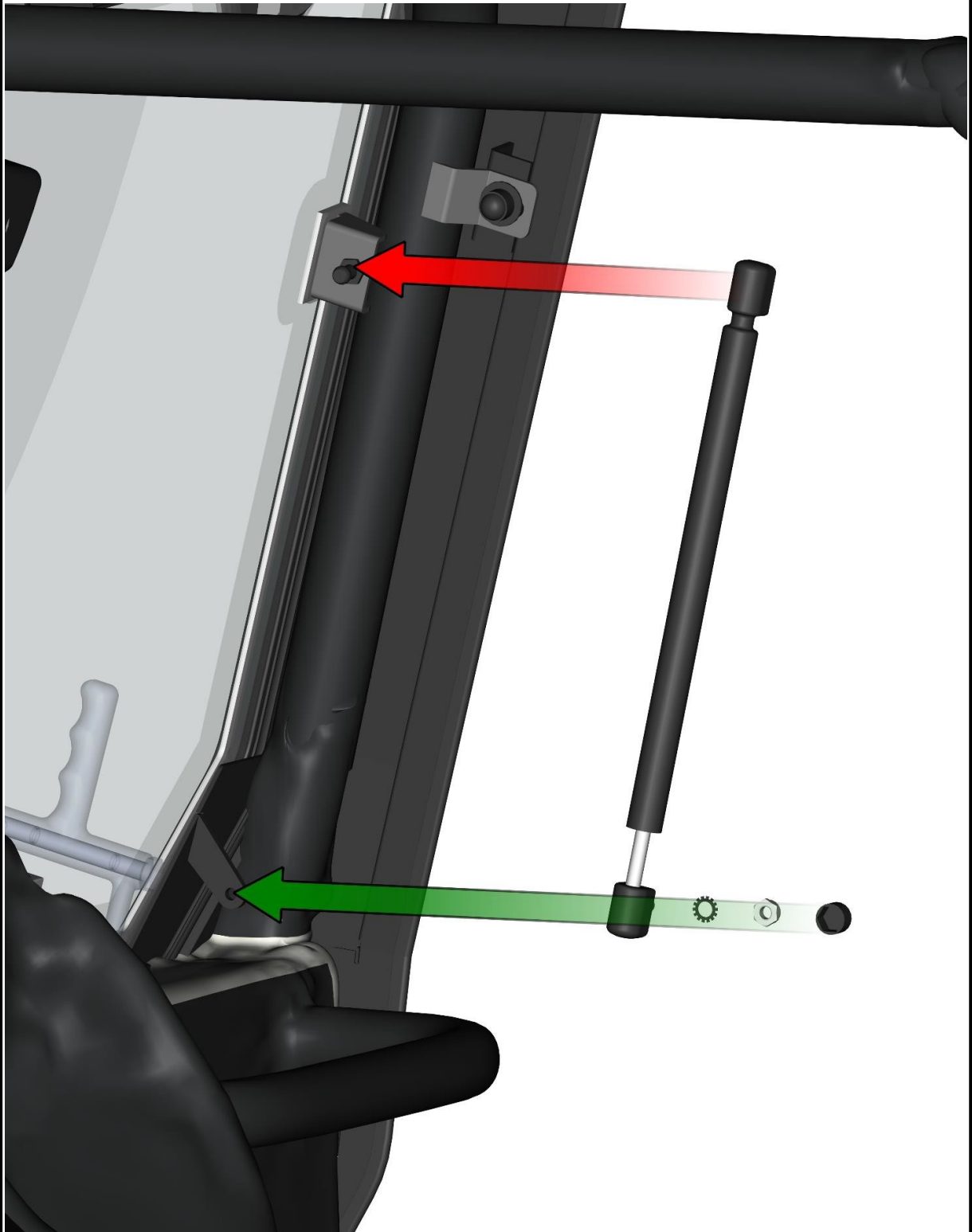
40

Fix the window hinges with the upper ledge by included screws.
Adjust the window assembly by upper ledge to the best position and
tighten all screws correctly.



41

Install the window gas spring onto the gas spring holders.
It is important to install the gas spring in the exact position shown below.



Repeat previous steps on the vehicle left side.



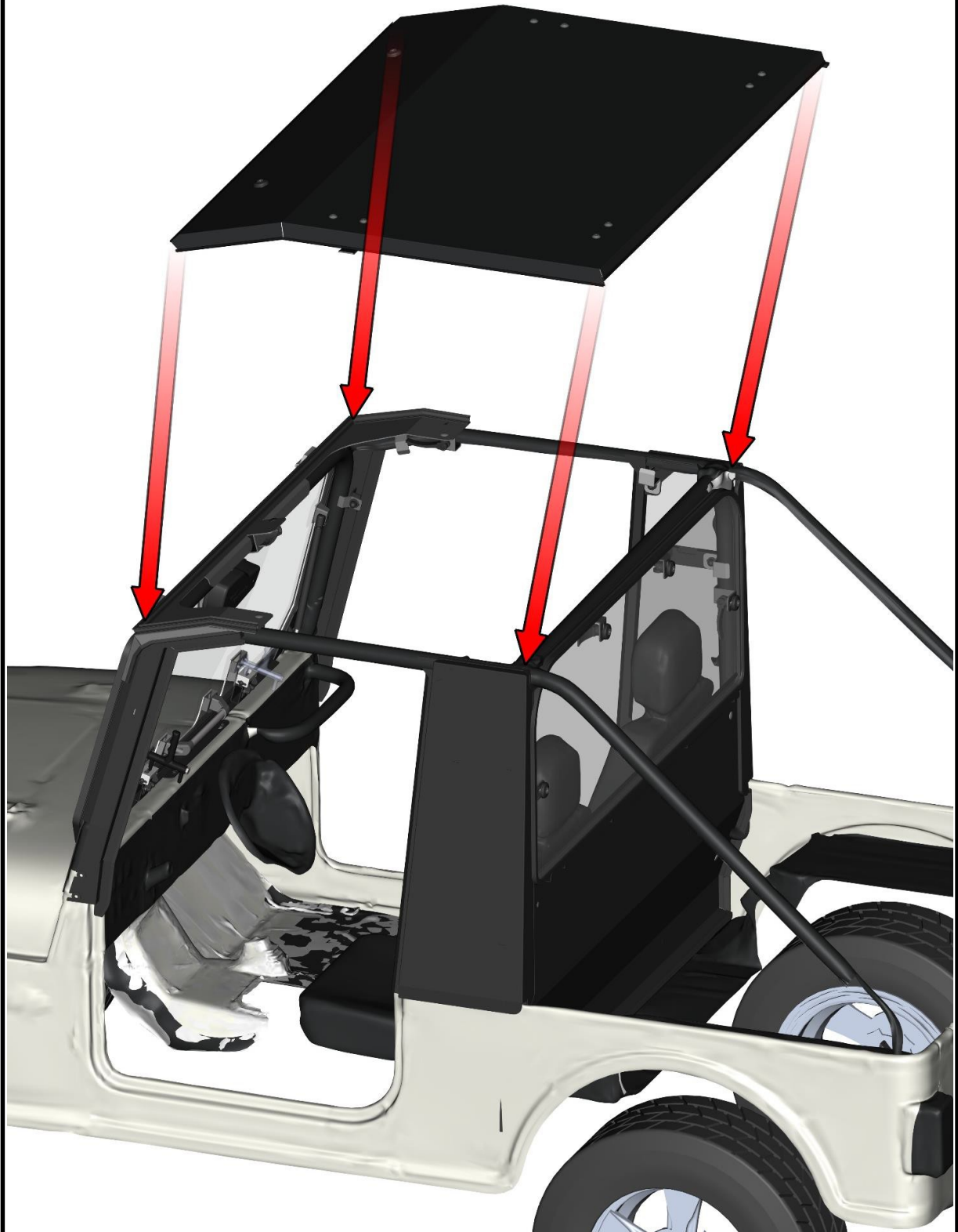
43

ROOF

Loosen the holder screws and adjust the holders to neutral position.



Place the roof onto the vehicle frame and onto the front ledge.



45

Adjust the roof holders to the best position.



Adjust the roof holders to the best position.



47

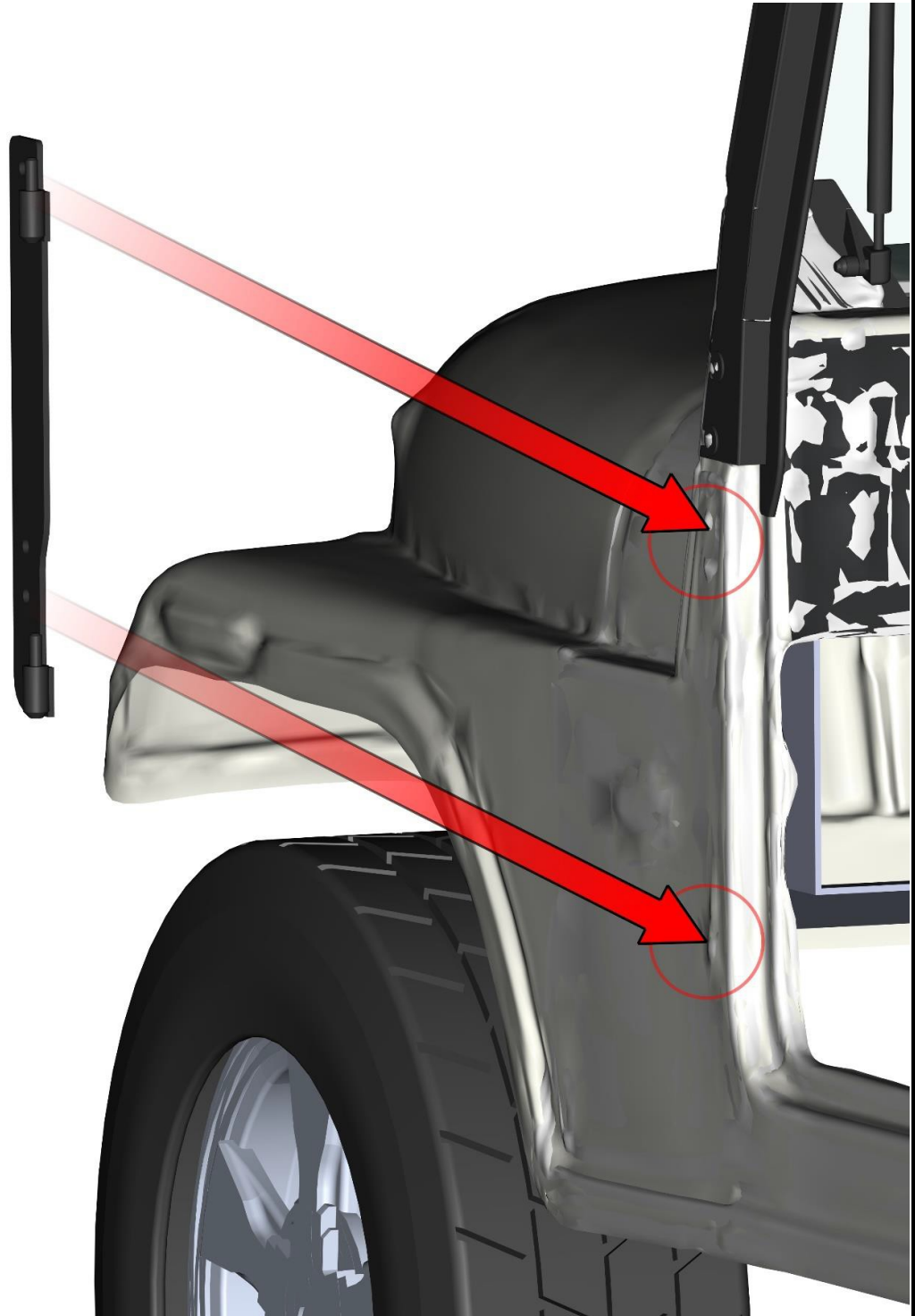
Adjust the roof to the best position and tighten screws correctly.



48

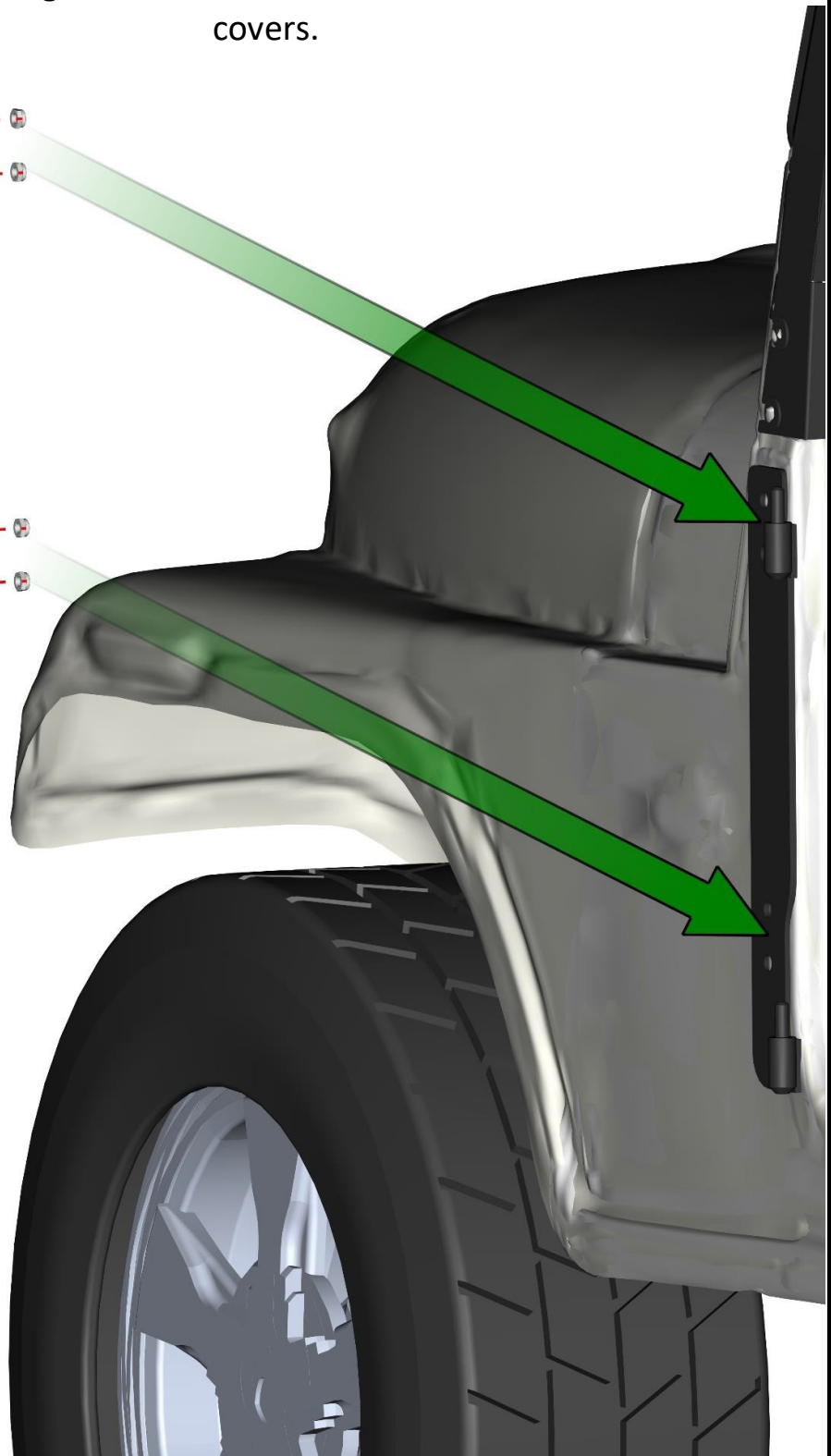
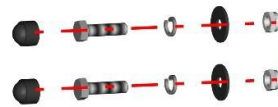
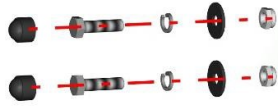
LEFT DOOR + RIGHT DOOR 3.

It is necessary to uninstall original hinge screws (red circles).
Place the left door hinge ledge onto the vehicle.



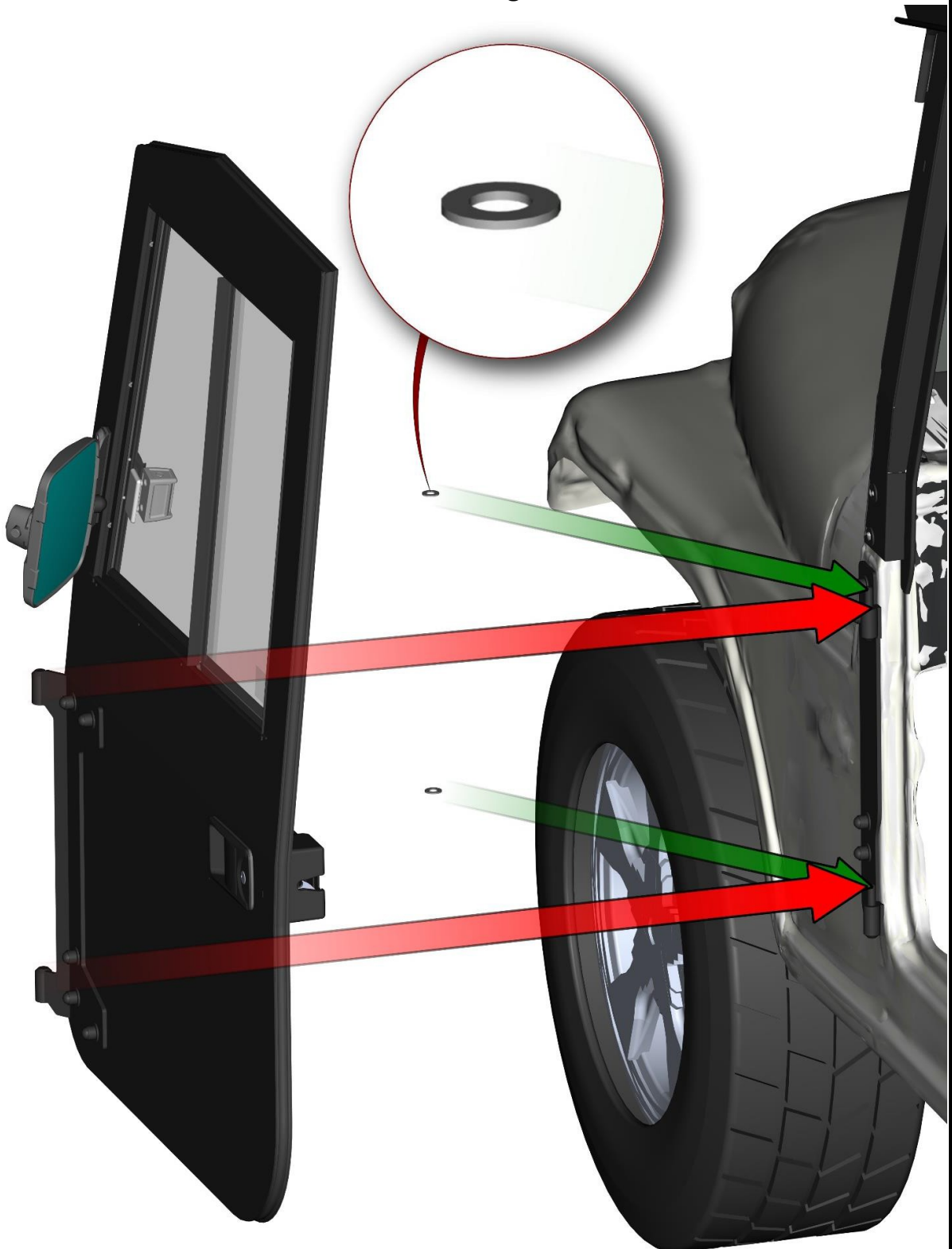
49

Fix the hinge ledge to the vehicle by using included screws, washers, nuts and covers.



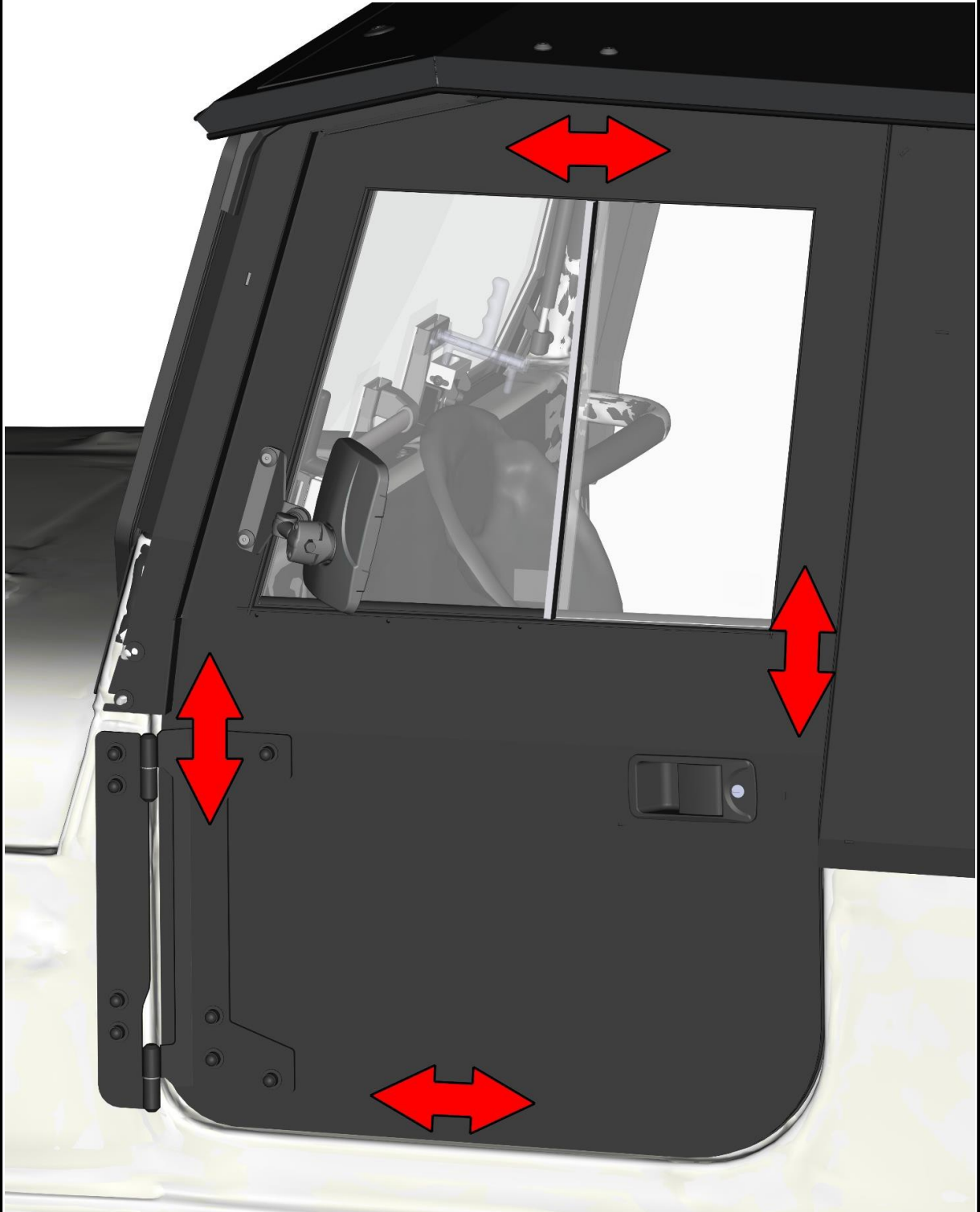
50

Lubricate the hinge pins and insert the washers onto the pins.
Insert the door onto the hinges.



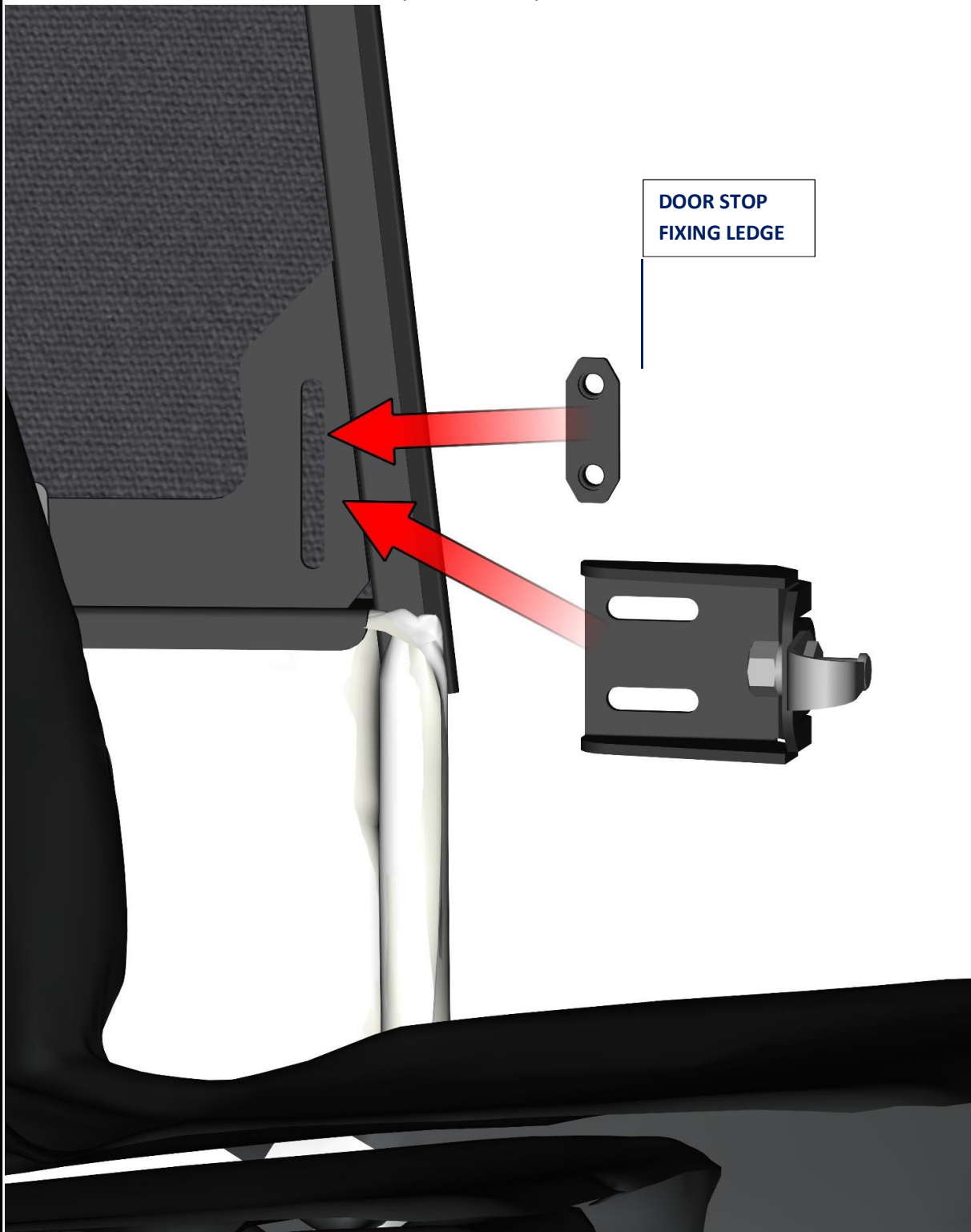
51

Loosen all hinge and door so you can easily adjust the door up/down, forward back. Align the door evenly with the roof line and rear door base. Re-tighten all the hinge screws.

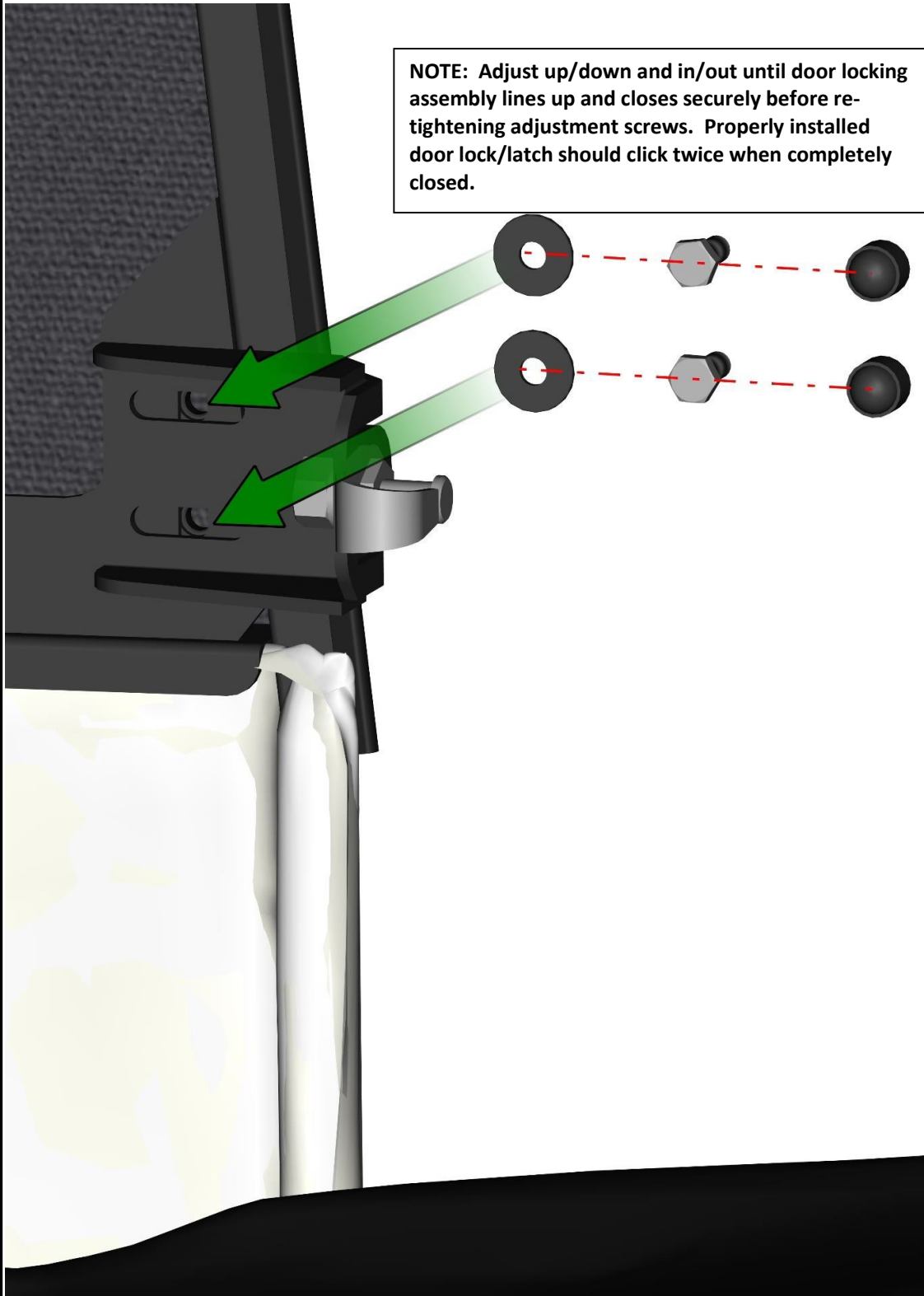


52

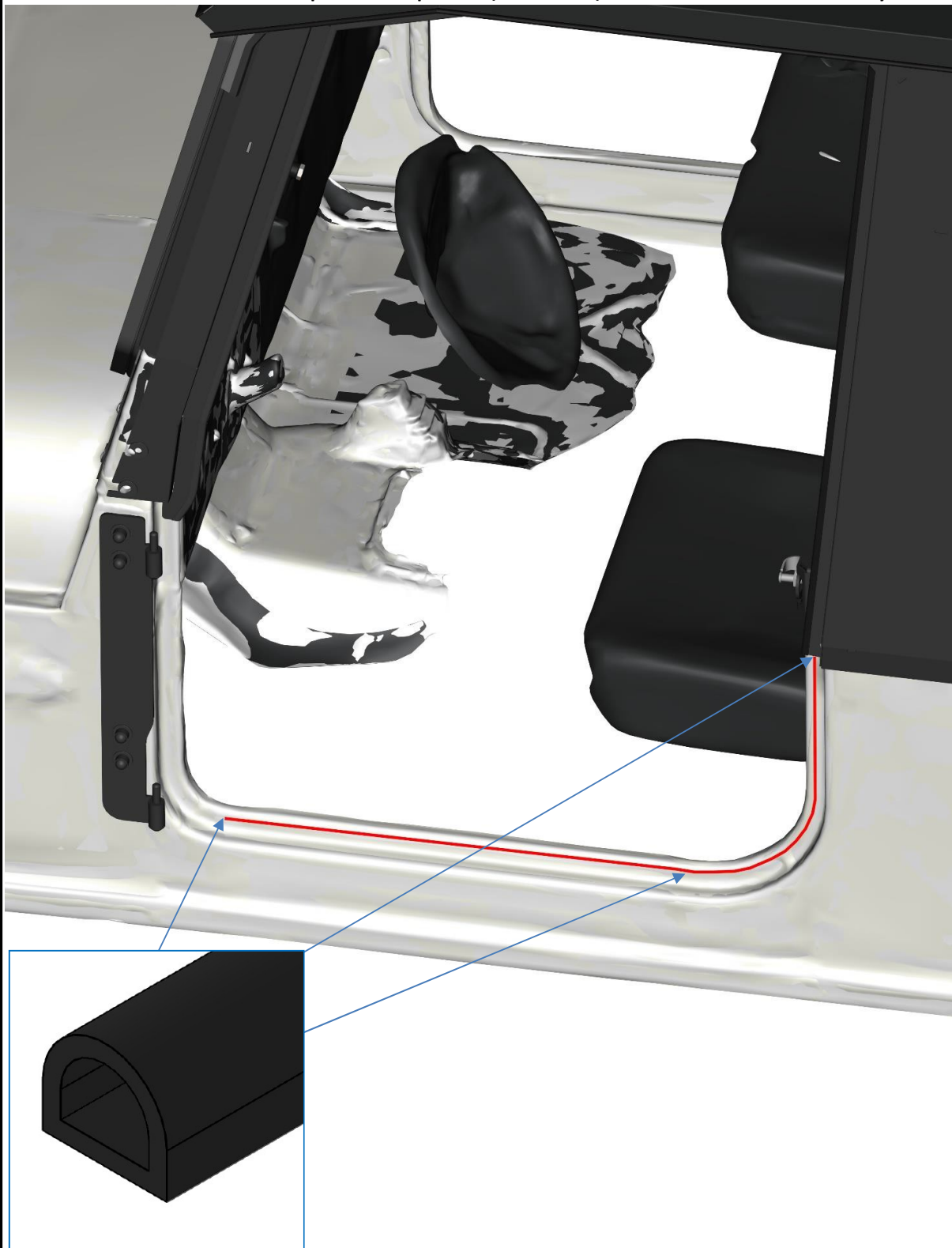
Insert the door stop fixing ledge into the door base.
Place the door stop assembly onto the door base.



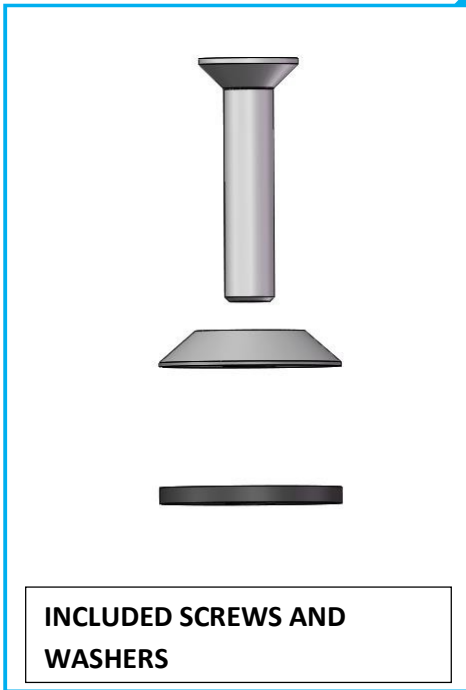
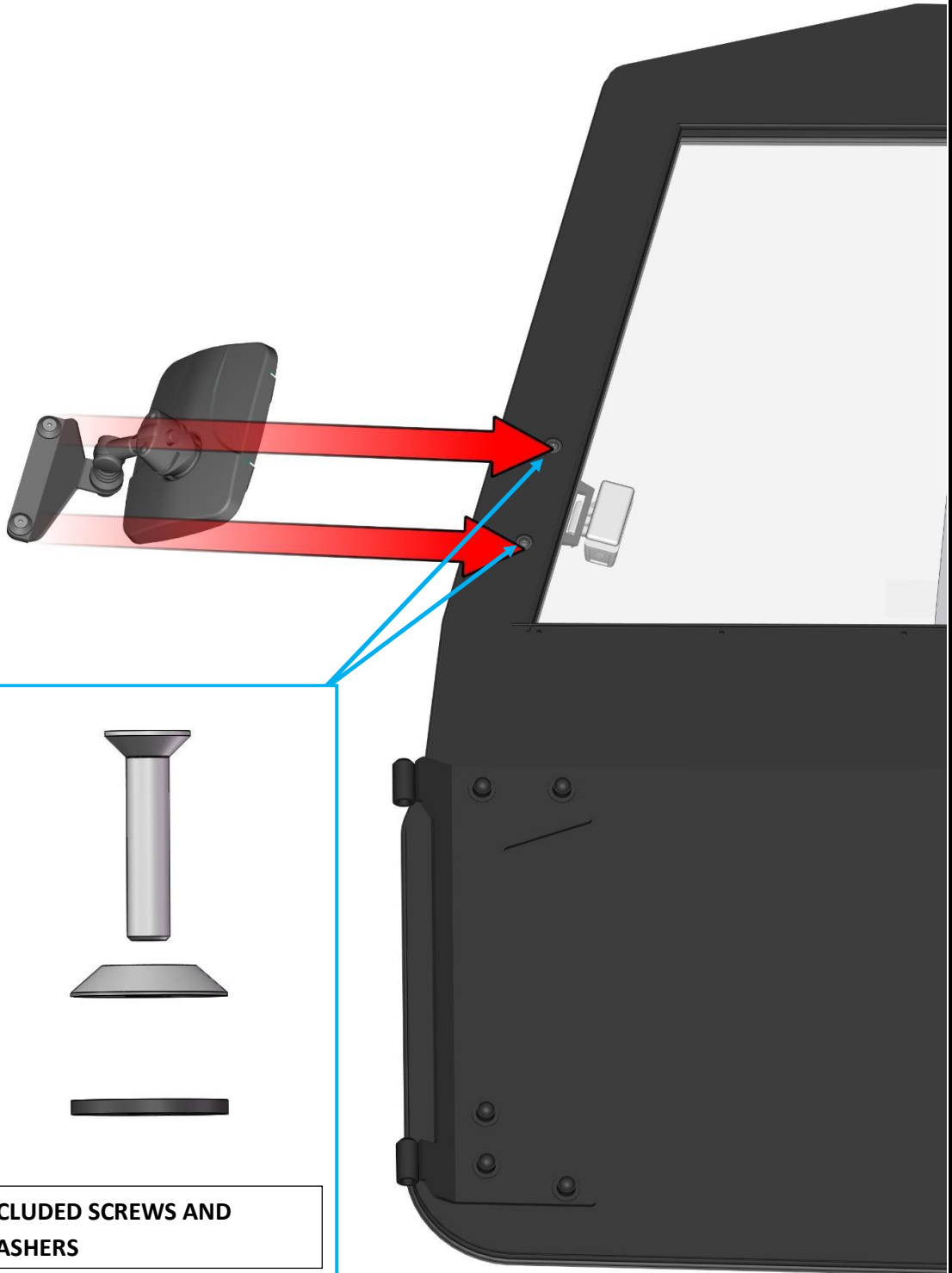
Fix the door stop assembly to the door base loosely with included screws, washers and covers.



Clean the vehicle surface (red line)
and stick the rubber profile apollo (red line) onto the vehicle body.



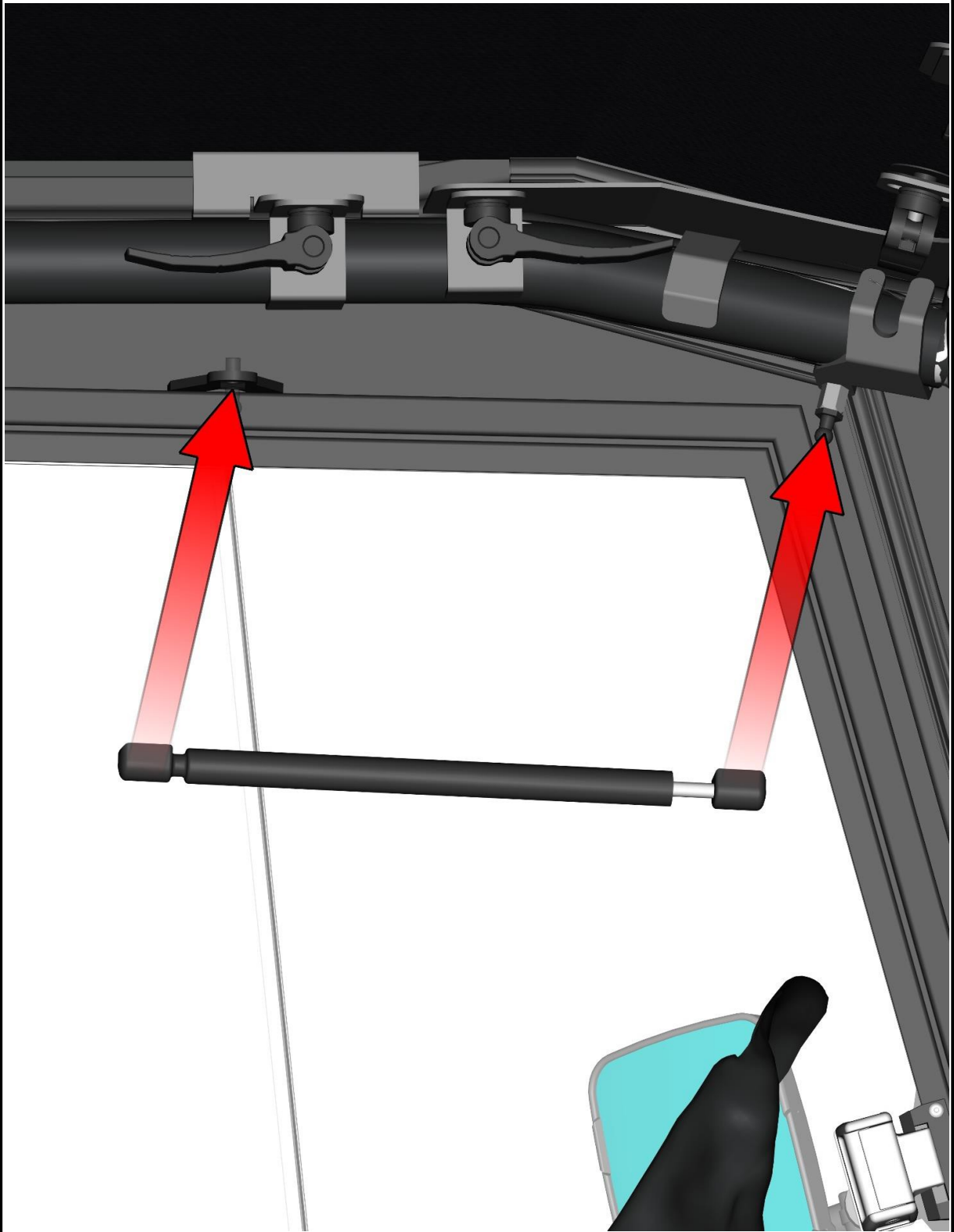
Install the rear mirror to the door using included screws and washers.



**INCLUDED SCREWS AND
WASHERS**

Install door gas spring onto the gas spring holders.

It is necessary to install gas spring in same position like on picture.



57

Repeat previous steps on the right side with right assemblies and parts.



58

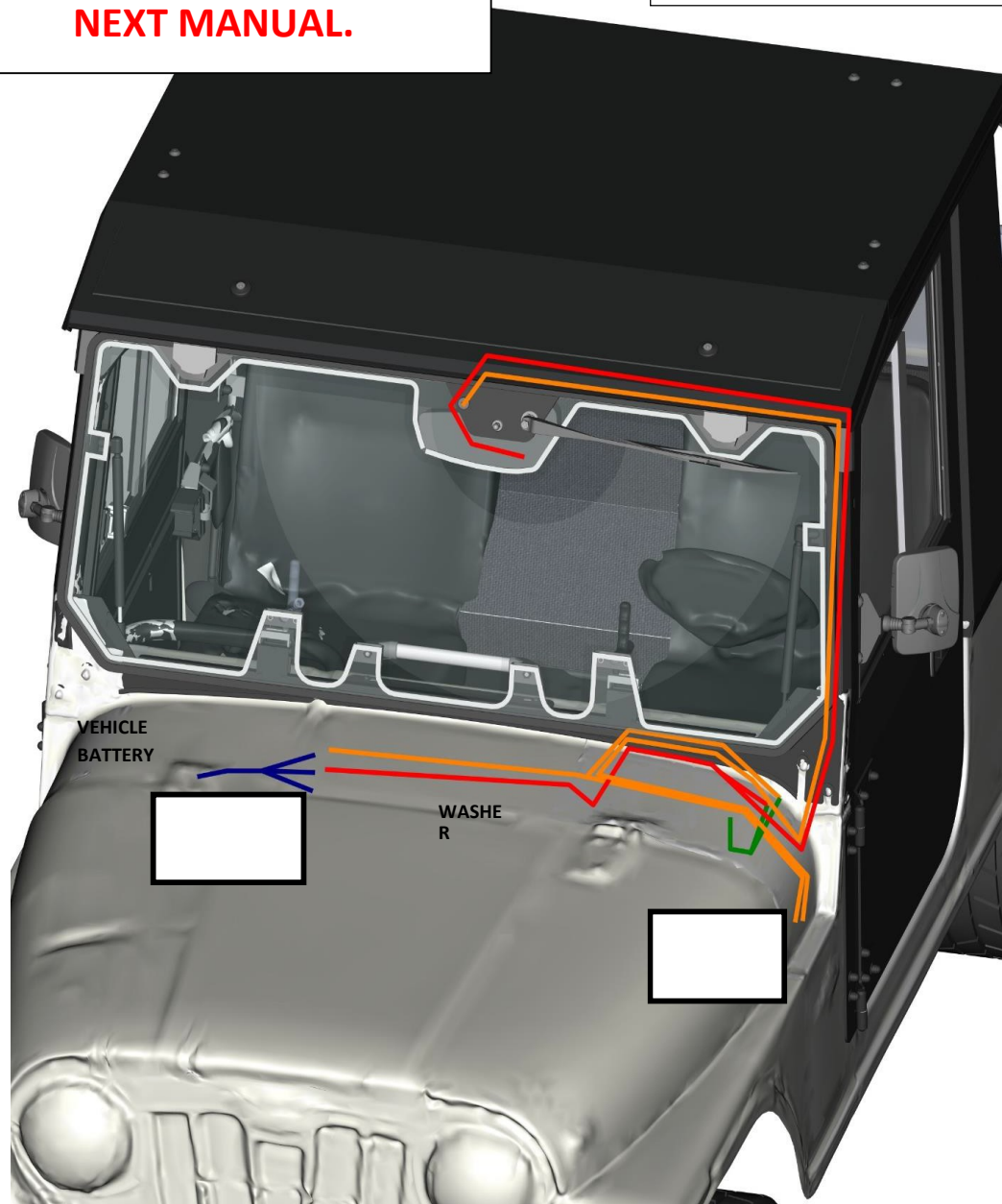
Tighten all screws and nuts correctly.

ELECTROINSTALLATION

Overall schematic diagram.

NOTE:
IF NOT INSTALLING WIPER
KIT, GO TO END.
ROXOR4 INSTALLERS GO TO
NEXT MANUAL.

- **WIPER HARNESS**
- **WASHER HARNESS**
- **SUPPLY HARNESS**
- **SWITCH HARNESS**



Place the supply harness onto the engine space.



Place the wiper harness and washer harness onto the engine space.



60

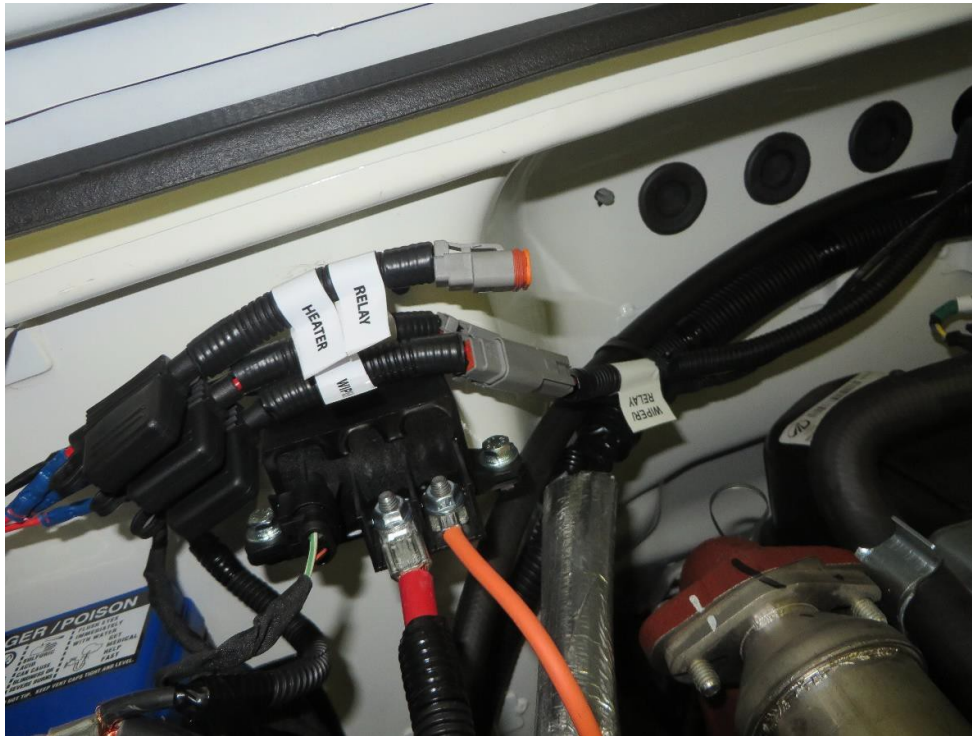
Install washer tank holder onto the frame by included washers and nut.



Mount the washer tank onto the washer tank holder.



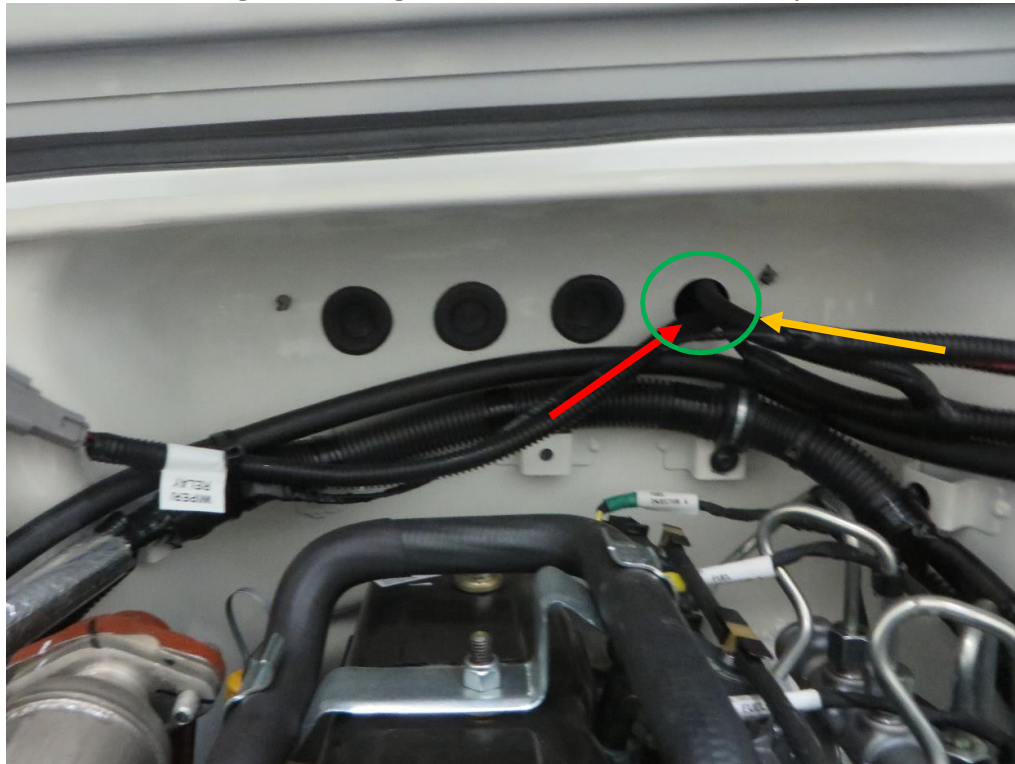
Connect the washer harness and the wiper harness with the supply harness.



Run the washer harness to the washer tank.
Connect the harness with the washer tank.



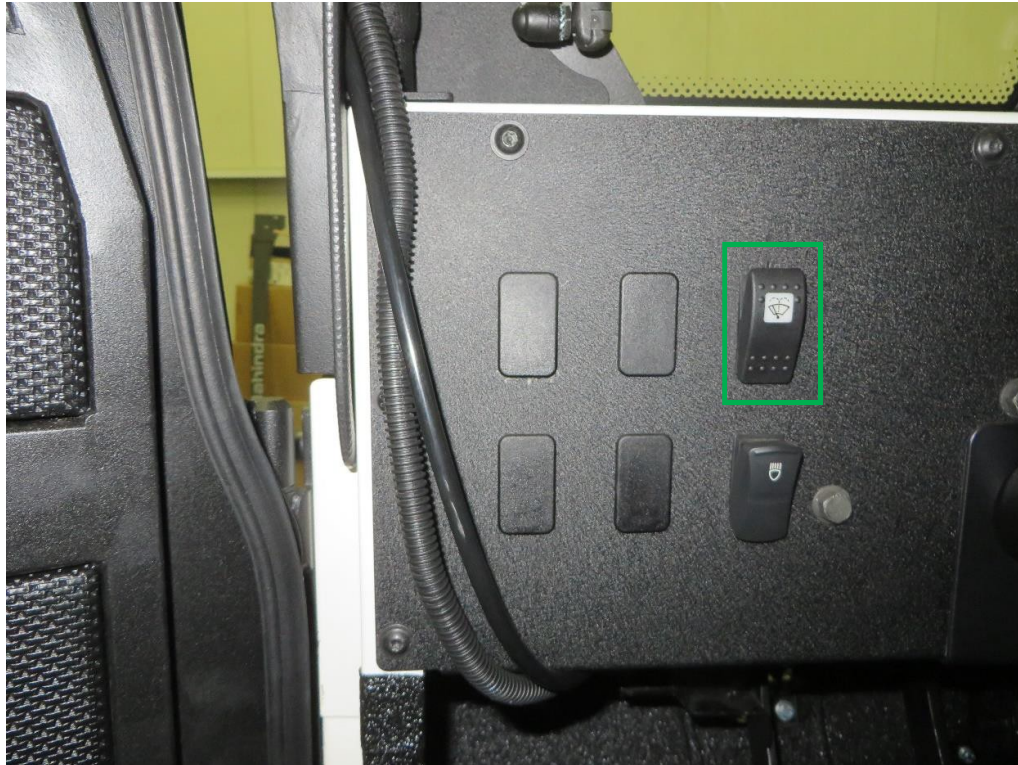
Run the wiper harness and washer hose through the original hole to the cabine space.



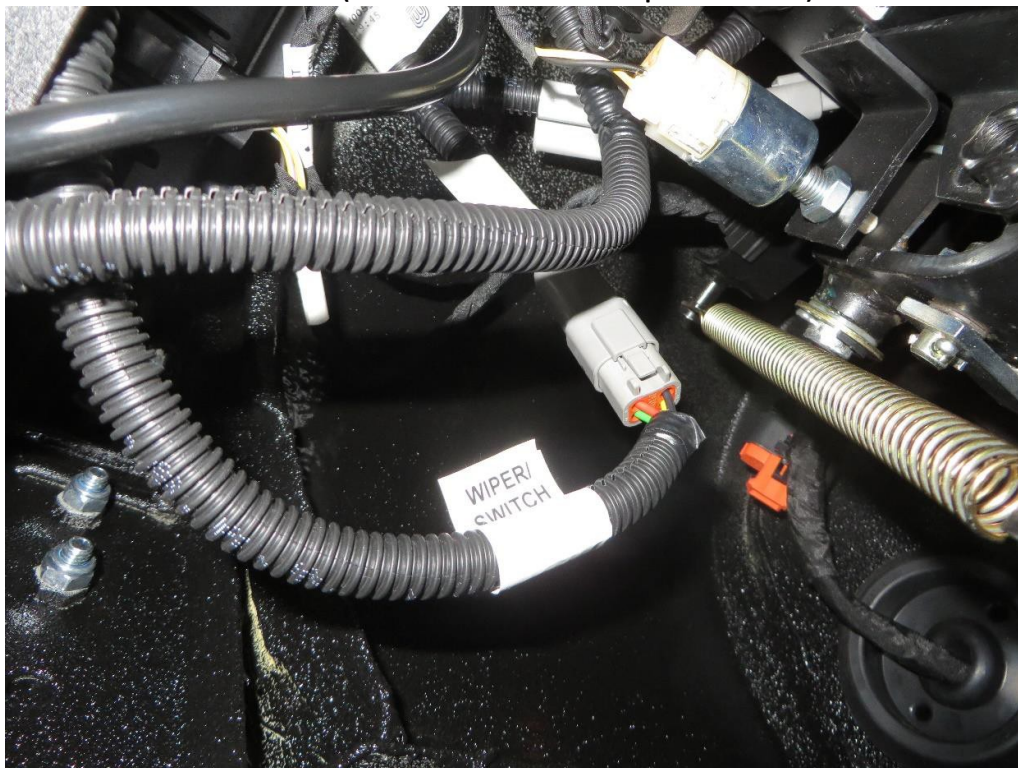
Pull out original switch hole cover (red mark).



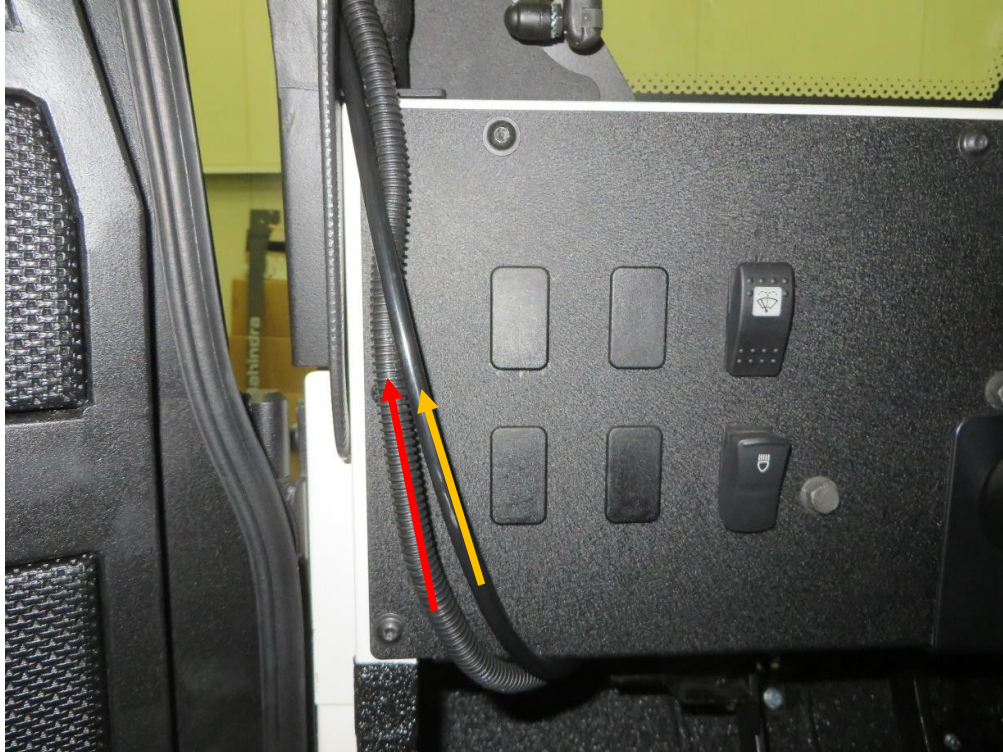
Insert the switch assembly into the original hole.



Connect the switch harness with the wiper harness and with the washer harness (inner dashboard space view).

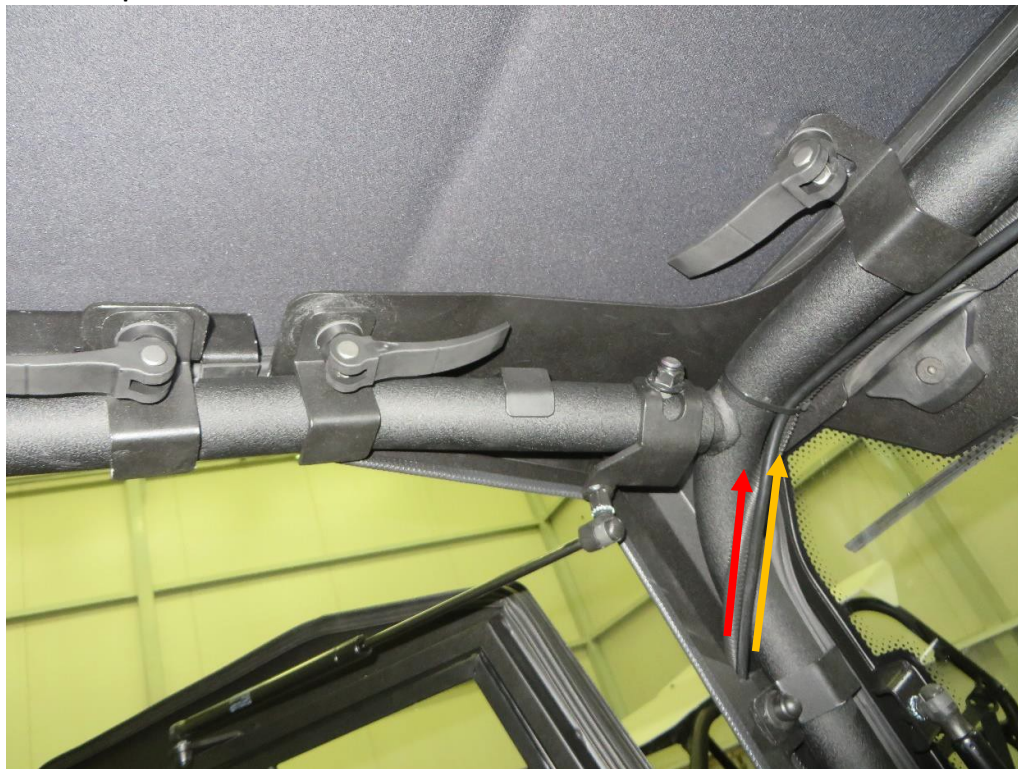


Run the wiper harness and washer hose from dashboard to the wiper.



65

Run the wiper harness and washer hose from dashboard to the wiper.



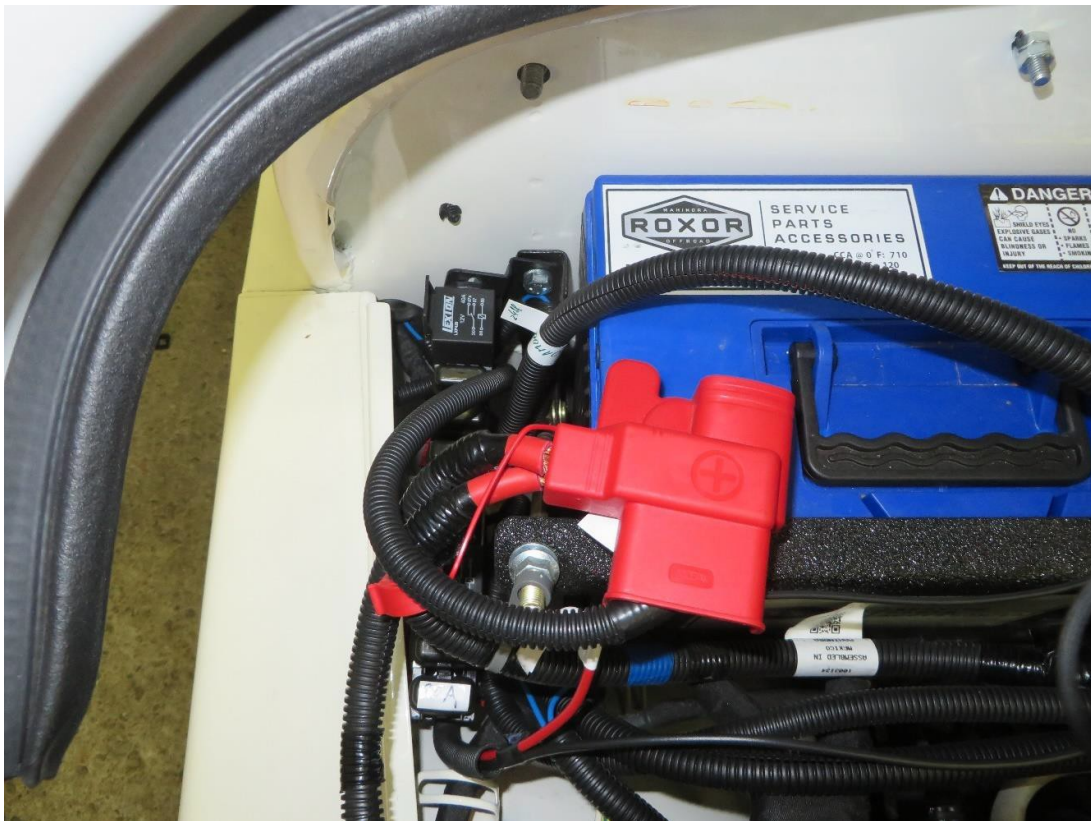
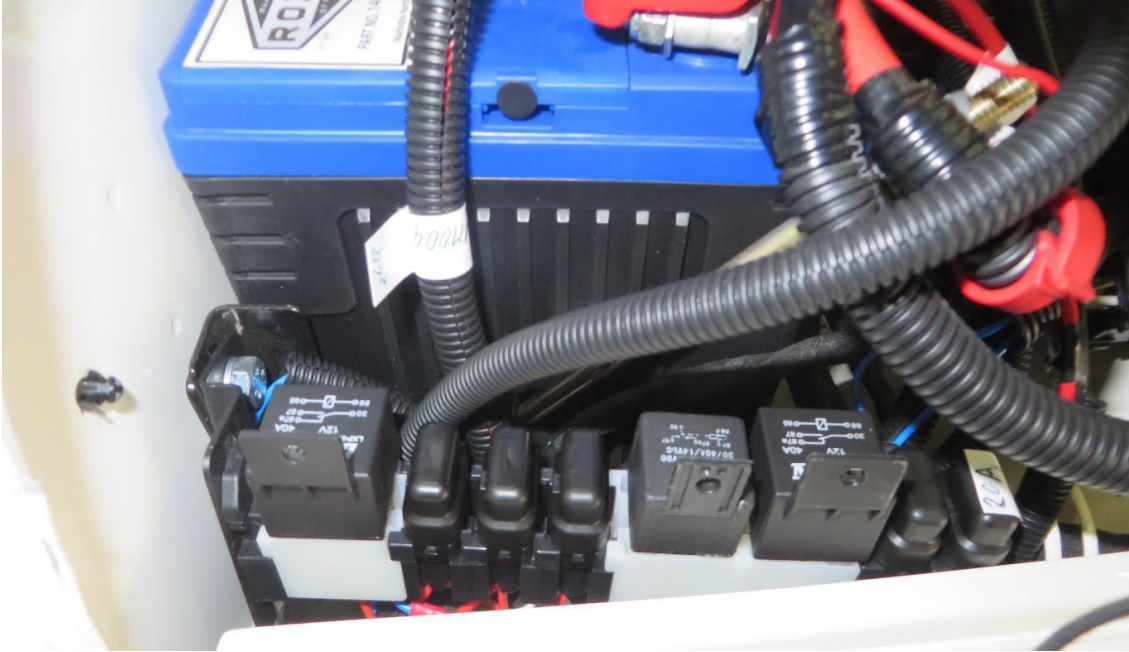
Run the wiper harness and washer hose from dashboard to the wiper.



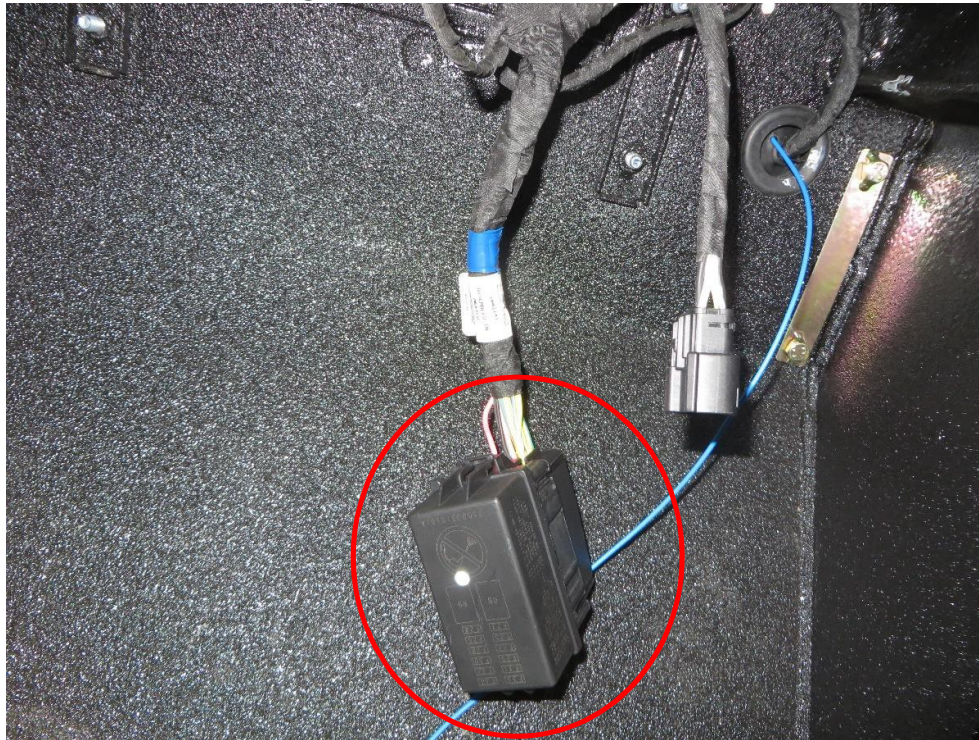
Connect the wiper harness with the wiper. Connect the washer hose with the washer jet.
SEE NEXT PAGE

66

Run the supply harness wire (blue) from the relay to the original fuse box.

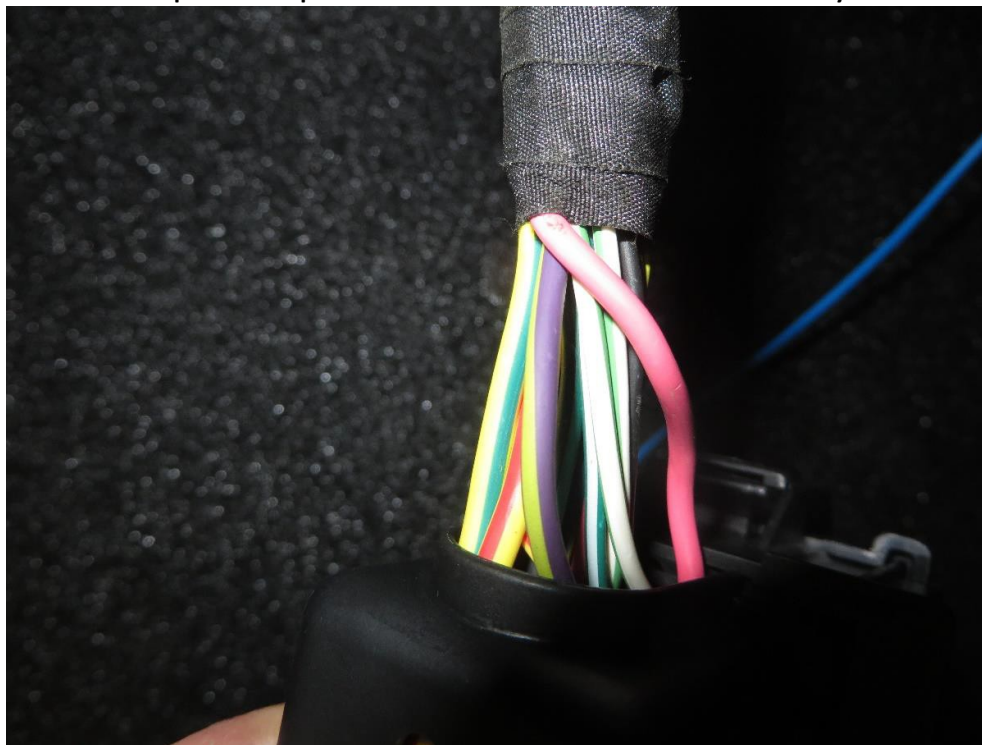


Unmount original fuse box from original position.
(Right inner dashboard view).



68

Install the tap wire splice connector onto the violent-yellow wire.



Detail view to the tap wire splice connector.



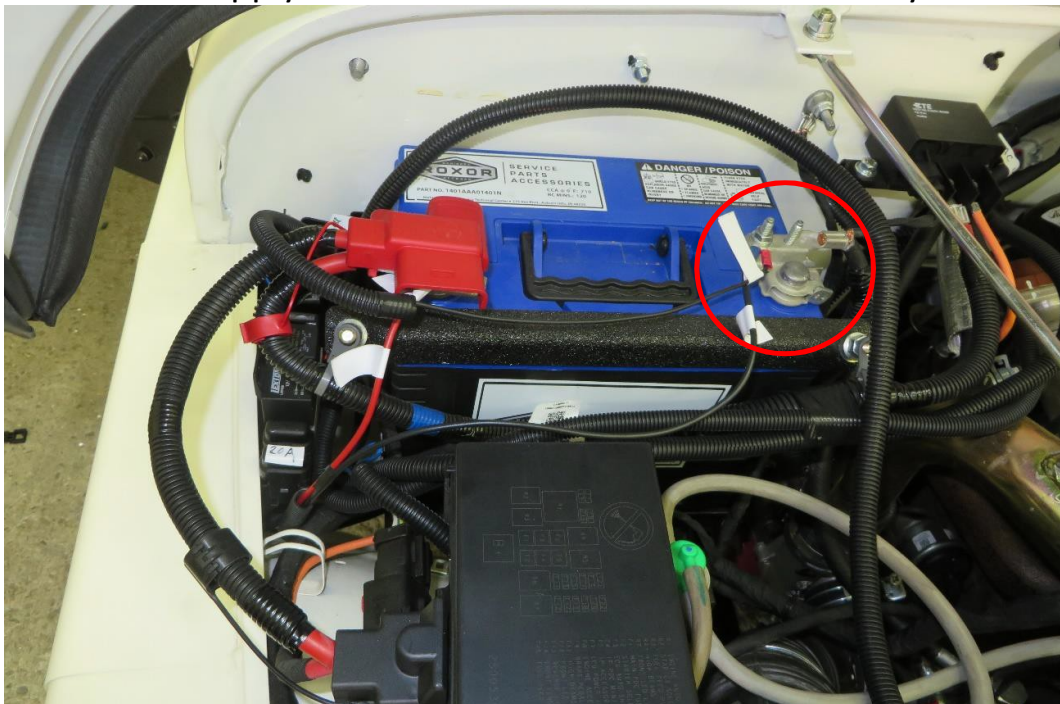
Detail view onto the installed tap wire splice connector.



Connect supply harness **RED WIRE** with the battery **12V+**.



Connect supply harness **BLACK WIRE** with the battery **12V-**.



Fill the washer liquide to the washer tank befor first usage.

ROXOR2 CAB INSTALL IS COMPLETE.

ROXOR4 INSTALLERS SHOULD DOWNLOAD THE SEPARATE INSTRUCTION MANUAL FOR INSTALLING THE ROXOR4 CAB KIT.

