



Before You Start:

Please familiarize yourself with all the steps before beginning assembly.

Installation information:

Approximate installation time: 30-60 minutes. This product is easiest to install with: 2 people

Compatibility Info:

This Door System is designed to work with other Seizmik branded Accessories for the Kubota RTV X as well as OEM Kubota branded hard tops. Please note Seizmik cannot guarantee fitment with other branded aftermarket products. Please research installation details thoroughly on our products & others when trying to combine different branded accessories.

Seizmik makes Windshields, Mirrors, Cab Systems, Light Bars, Storage Boxes, Hood Racks, and other great accessories for UTV's to maximize the vehicles usefulness.

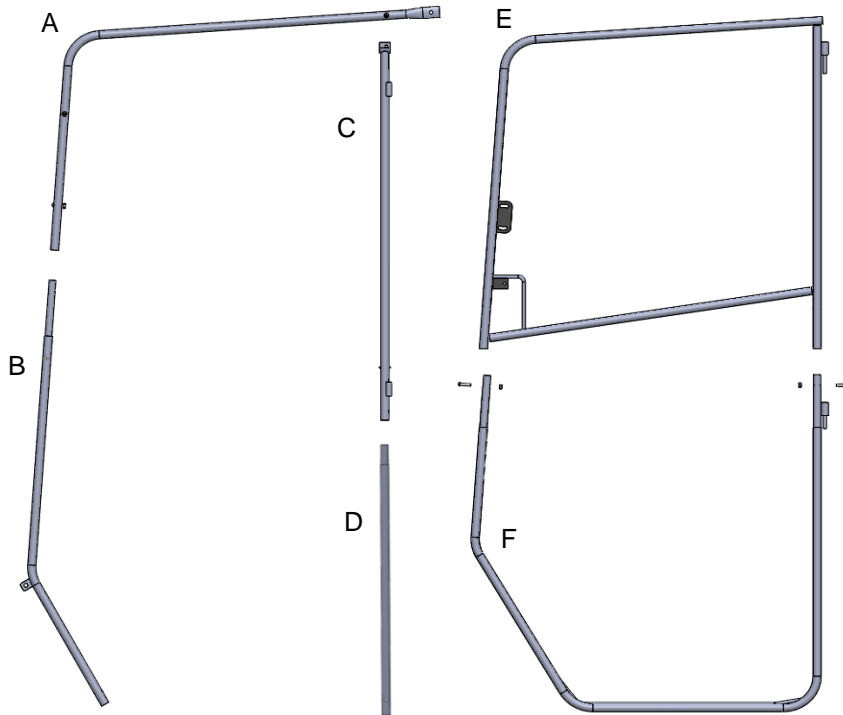
If you have any questions, comments, need assistance, or are missing parts, please call 1-866-838-3366 between 9:00AM and 5:00PM EST or email us at support@seizmik.com. Visit www.seizmik.com for more information on our products.

RTV X Doors Parts List

Parts shown are driver's side parts. You will have a mirrored part for passenger side.

Door Subframe

Door

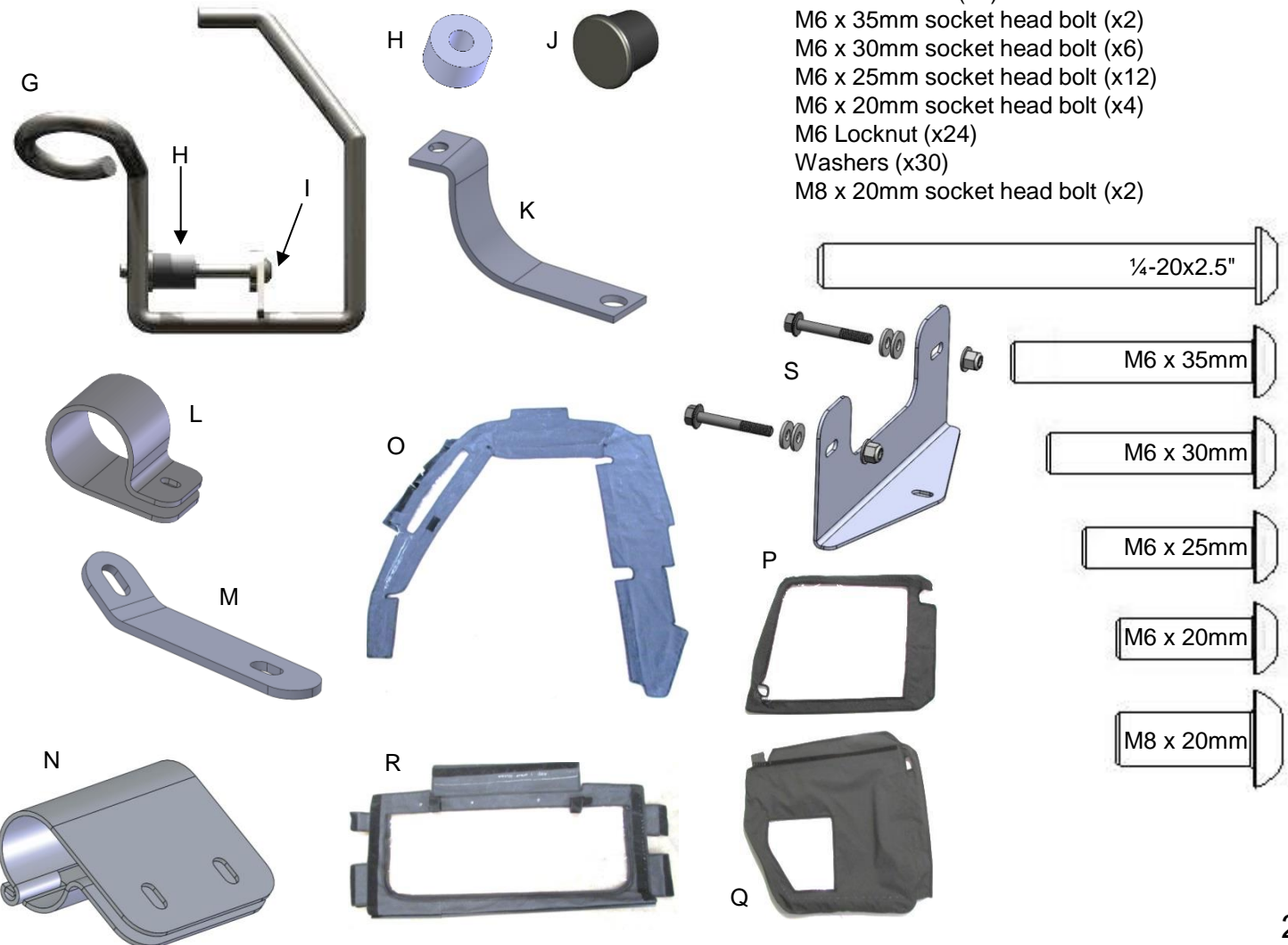


Parts:

- A. Upper Subframe (x2)
- B. Lower Front Subframe (Driver/Passenger)
- C. Door Hinge Subframe (Driver/Passenger)
- D. Lower Rear Subframe (x2)
- E. Upper Door Half (x2)
- F. Lower Door Half (x2)
- G. Door Handle (Driver/Passenger)
- H. Plastic Spacer (x4)
- I. 1/4 - 20 x 2.5 Bolt & Nut (x2)
- J. End Plug (x4)
- K. Curved Subframe Bracket (Driver/Passenger)
- L. 2" Plastic Roll Cage Clamp (x6)
- M. Bent Subframe Bracket (x2)
- N. Door Hinge Bar Clamp (x2)
- O. Subframe Textile (Driver/Passenger)
- P. Upper Door Textile (Driver/Passenger)
- Q. Lower Door Textile (Driver/Passenger)
- R. Rear Panel
- S. Sidekick Subframe Adapter Assembly (x2)

Hardware:

- 1/4-20 x 2.5" socket head bolt (x2)
- 1/4-20 Locknut (x2)
- M6 x 35mm socket head bolt (x2)
- M6 x 30mm socket head bolt (x6)
- M6 x 25mm socket head bolt (x12)
- M6 x 20mm socket head bolt (x4)
- M6 Locknut (x24)
- Washers (x30)
- M8 x 20mm socket head bolt (x2)

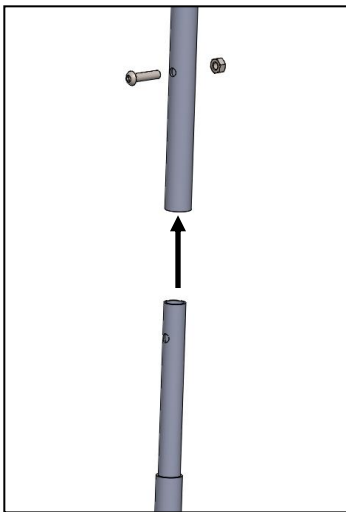


1. Drivers Side Subframe Assembly

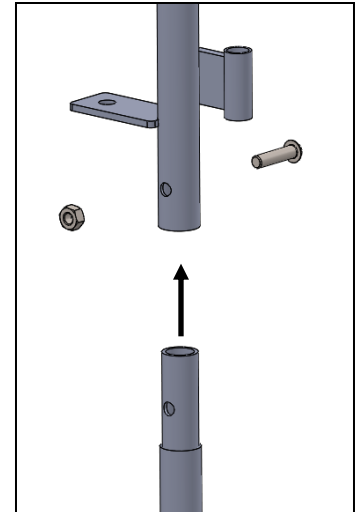
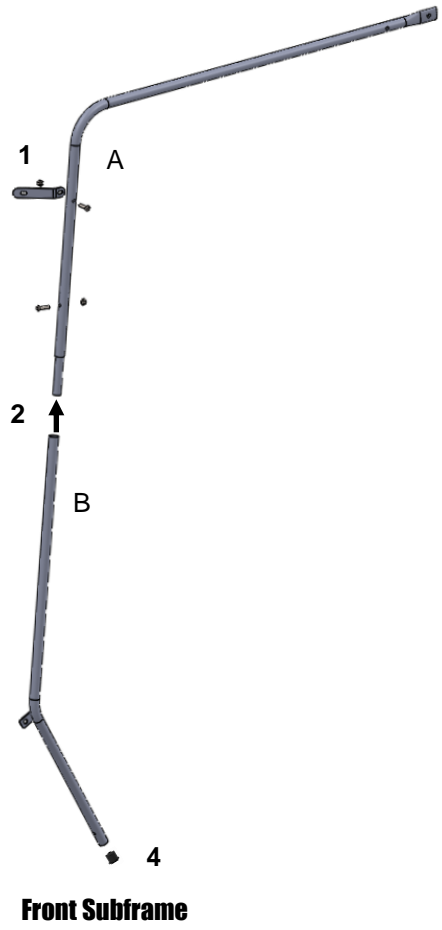
Driver's side shown. Repeat for Passenger side.



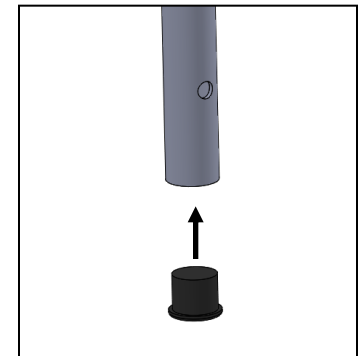
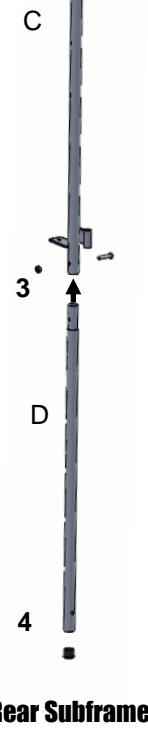
1. Attach the Bent Subframe Bracket (M) with a M6 x 30mm socket head bolt, nut and washer.



2. Attach the Upper Subframe (A) to the Lower Front Subframe (B) with a M6 x 25mm socket head bolt and nut.



3. Attach the Door Hinge Subframe (C) to the Lower Rear Subframe (D) with a M6 x 25mm socket head bolt and nut. The hinge will be on the back side of the tube.



4. Push End Plug (J) into end of the tubes.



6. If your vehicle has factory doors, remove them.



7. Remove factory mesh panel under the seat by loosening the two plastic thumb screws shown above.

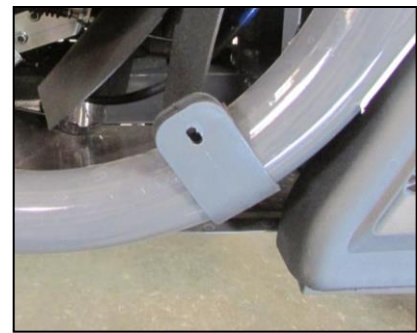
2. Subframe Mounting Installation



1. Place a clamp on the front roll cage bar. Refer to the picture below for locations.



2. Place a clamp on the upper rear corner of the roll cage as shown above.



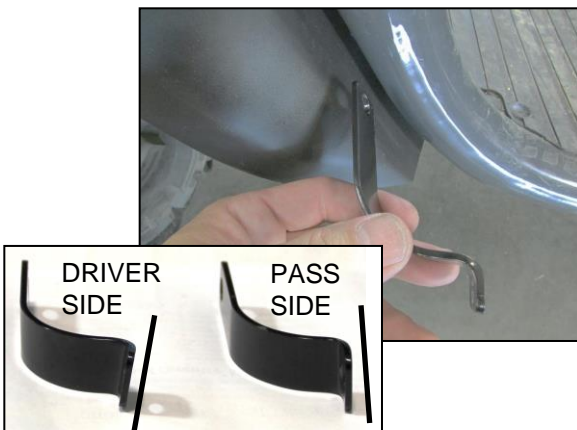
3. Place a clamp in the bottom rear corner of the roll cage in the location shown.



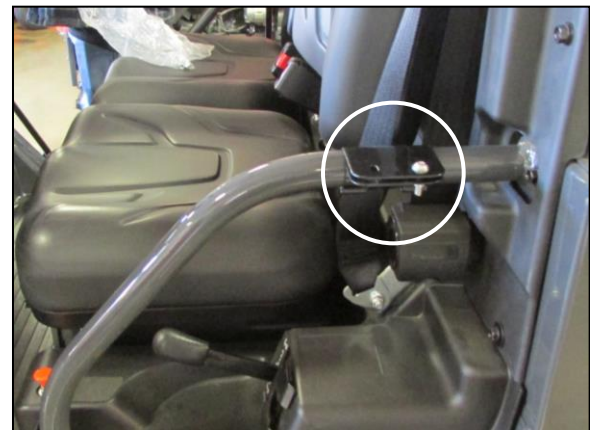
4. There should be 3 Plastic clamps in the locations shown.



5. Locate and remove this bolt in the front wheel well.

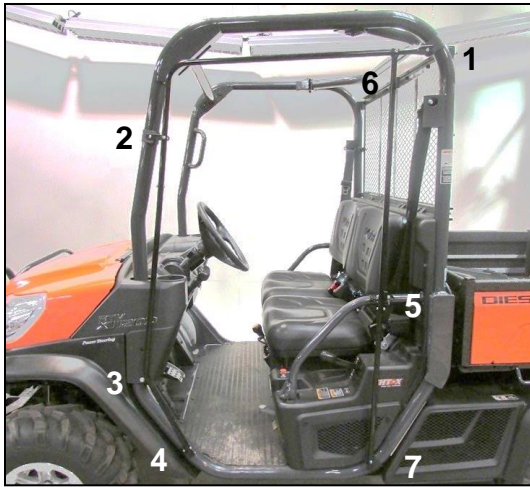


6. Insert the Curved Subframe connector in between the front fender and the roll cage in the orientation shown above. Note the differences in the driver side and passenger side brackets.

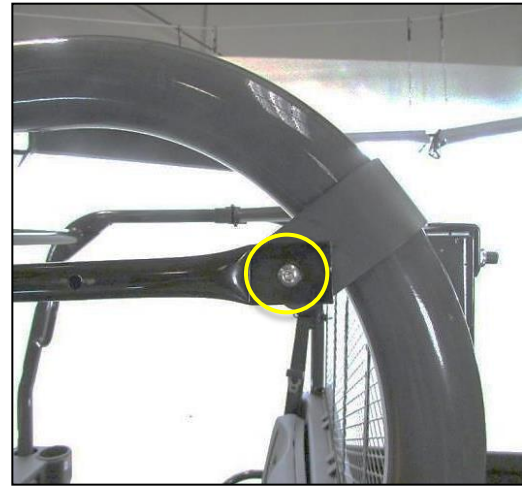


7. If you have an 850 Sidekick skip to the addendum on the last page. Place the door hinge bar clamp about 4 inches away from the end of the bar. Loosely attach with a single M6 x 20mm hex bolt, two washers and nut in the rear hole as shown above.

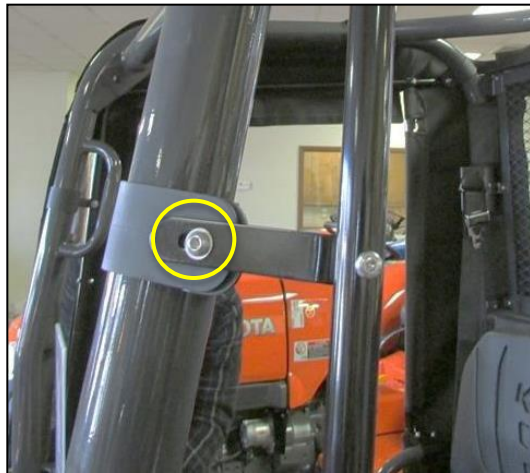
3. Subframe Installation



In the next few steps, you will attach the subframe to the vehicle. It may be easier to have a helper hold up the subframe as you are bolting it in.



1. Loosely attach the front subframe to the clamp on the rear of the vehicle using a M6 x 20mm bolt, nut and washer. The washer should be between the plastic clamp and the nut.



2. Loosely attach the front of the subframe to the clamp on the front of the vehicle using a M6 x 20mm bolt, nut and 2 washers.



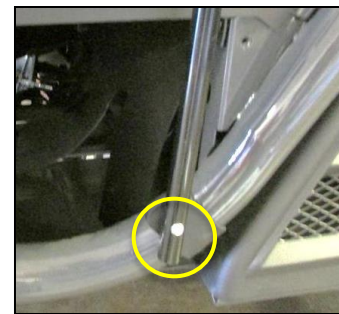
3 & 4. Loosely bolt the front of the subframe to the front of the vehicle using the M8x20mm socket head bolt. Bolt the bottom with M6 x 30mm socket head bolt, nut and washer.



5. Set the rear subframe on TOP of the door hinge clamp. Loosely bolt with M6 x 20mm bolt, a nut and two washers.



6. Attach the rear subframe to the front subframe with a M6 x 30mm socket head bolt and nut. The door hinges should be closer to the back of the vehicle.



7. If you have an 850 Sidekick skip to the addendum on the last page. Loosely attach the bottom of the rear subframe to the clamp near the vents of the vehicle using a M6 x 35mm bolt, nut and washer.

4. Back Panel and Velcro Installation



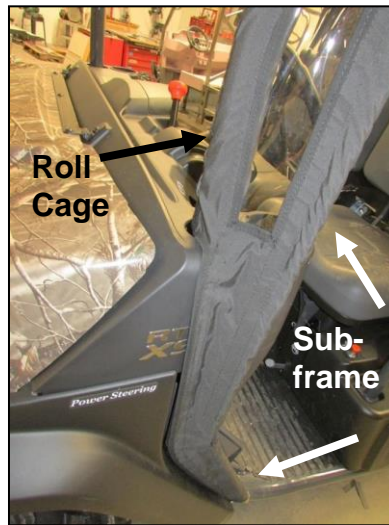
NOTE: It may be easier to install textiles with the roof off.



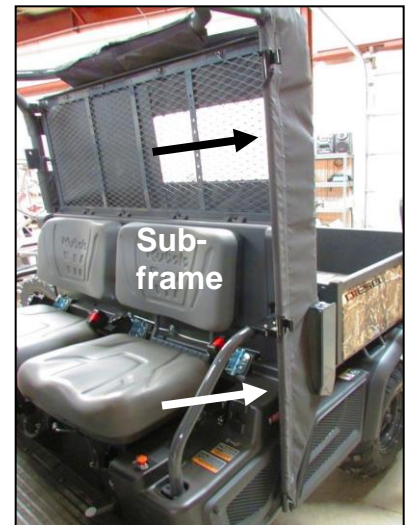
1. Attach the back panel by strapping it to the rear vertical roll cage bars on both sides.



2. Hook the bottom of the back panel to the bottom of the rear bar. Then strap the top across the upper rear roll cage crossbar.



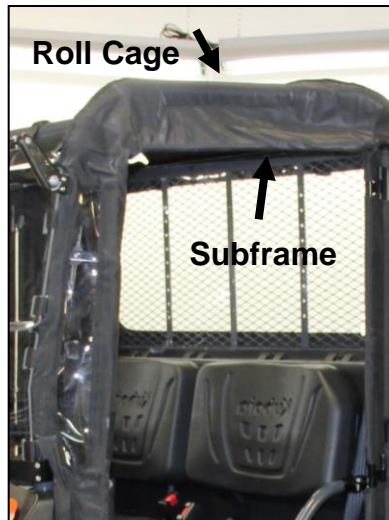
3. Wrap the subframe textile around the front subframe and roll cage and attach using velcro on the fabric.



4. Wrap the subframe textile around the rear subframe and attach using velcro on the fabric.



5. Attach the subframe textile to the velcro strip on the back panel.



6. Wrap the subframe textile around the subframe and roll cage. Attach using velcro on the fabric.



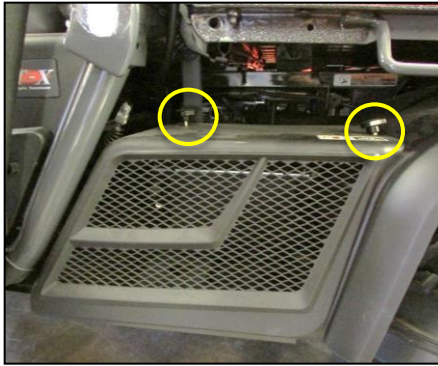
7. Adjust the fit of the textiles so they are taugted with minimal wrinkles.

5. Back Panel and Velcro Installation



1. Adhere Velcro strips to lower front corner the vehicle as shown.

In the next few steps, you will be installing self adhesive velcro on the vehicle in the positions shown. Clean all surfaces with rubbing alcohol before installing Velcro Strips



2. Remove the mesh plate containing the battery by undoing the hand bolts shown above.



3. Adhere Velcro strap to the roll cage in the position shown above. They should line up with the Velcro on the subframe fabric.



4. Adhere Velcro strips to rear flat part of the vehicle near the bed as shown. They should line up with Velcro on the fabric.



5. Adhere Velcro strips to the rear roll cage in the position shown. They should line up with the Velcro on the fabric.



6. Adhere Velcro straps to upper front corner the roll cage as shown. They should line up with the Velcro on the fabric.



7. Adhere Velcro straps to upper rear corner the roll cage as shown. They should line up with the Velcro on the fabric.

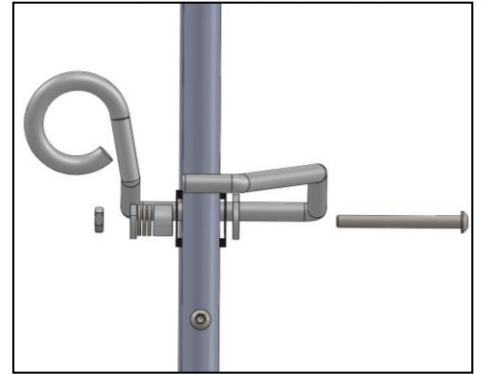
6. Drivers Side Door Assembly



1. Place the door handle in place. The circular loop should be on the inside of the door.



4. Reinstall the factory mesh panel.



2. Assemble the door handle in the order shown above with the ¼ - 20 x 2.5" Bolt and nut. Place the metal washers and plastic spacers between door and inside door handle. You may have to adjust the number of washers and spacers so the door closes against the subframe securely.

3. Assemble Upper Half of the door and the lower half. Attach using 2 M6 x 25mm bolt and 2 nuts. NOTE: The protruding bar on the bottom of the door should face towards the inside of the vehicle



5. Mount the doors by guiding the pins in the back of the door frame onto the hinge barrels along the Door Hinge Subframe.



6. Repeat the process for the passenger side door.

Accessories Installation:

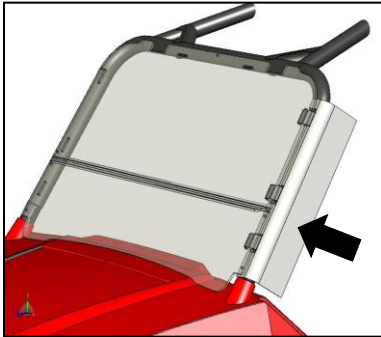
Installing Windshields with this Door System:

IMPORTANT: Please review the outlined procedure as not all windshield mounting systems are the same & yours may require a different approach to working with this door system.

2 Methods to Mount Windshield with Door System:

Option 1: **PREFERRED METHOD**

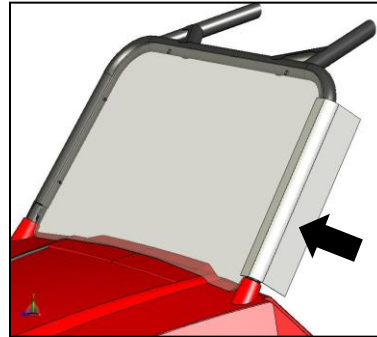
Side Panel Pillar Cover under the windshield



This is preferred method. Best used for 2pc., folding, & ½ windshields. Side Panel Velcro's directly to Roll Bar. Notches are cut into side panel to accommodate mounting system. Minimizes interferences with 2pc. & folding windshield functions.

Option 2: **SECONDARY METHOD**

Side Panel Pillar Cover on top of the windshield



This method is best for full 1pc windshields where user doesn't plan on switching it out after install as Velcro will adhere directly to windshield edge surface. It increases seal slightly but installation is a bit trickier. The surface to adhere the Velcro must be cleaned well, but alcohol should not be applied to acrylic or polycarbonate.

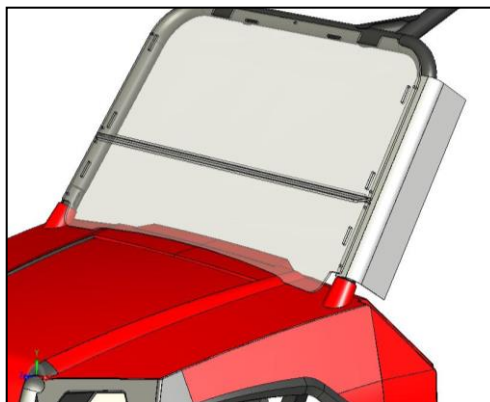
NOTE: Other types of windshields may require different approaches to combining with this door system.

Versa-Shield Windshield P/N23073 (not included):

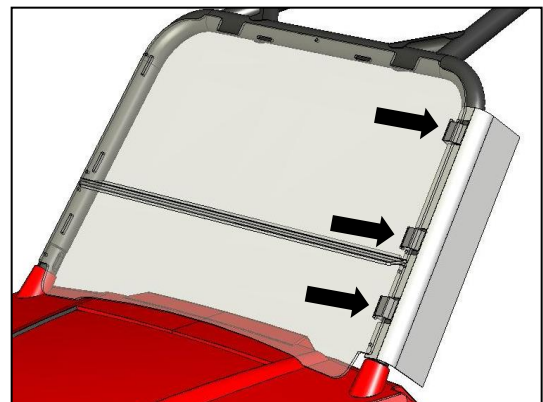
The following procedure is based on Option 1 above. Fully familiarize yourself with the sequence. If you study your windshields mounting procedure, you will be able to retrofit according to your specific requirements.



1. Mount side panel cab sections positioned correctly & taught.



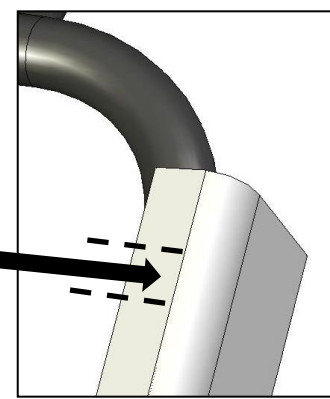
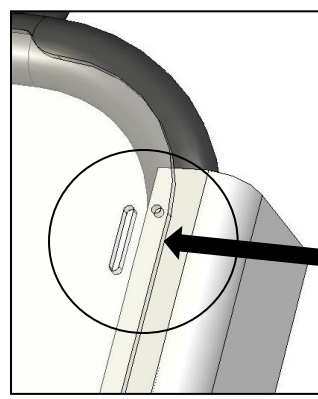
2. Lay the windshield in position noting location of the slots where the mounting straps will go



3. Be sure to clearly note where the mounting straps/clamps will be positioned relative to the side panel

NOTE: You will cut the side panels – Ensure they are positioned correctly.

4. Mark the fabric where straps/clamps are located as this is where the side panel textile will need to have slots cut.



IMPORTANT: Carefully verify the windshield is positioned correctly when marking for the cuts!

Accessories Installation:

Versa-Shield Windshield (not included):

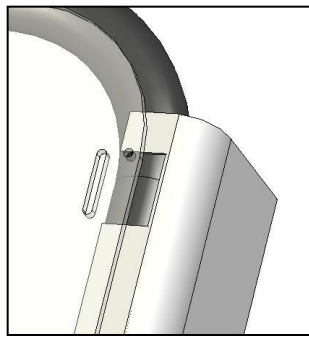


6. Mend the cuts with a lighter. Hold the flame on the material edge just long enough to melt the edge slightly. This will prevent the material fraying over time.

5. Cut 2 horizontal slits across the edge of the fabric to create tabs. Do not cut past the first vertical seam.



7. Fold cut flap back into panel



6. Install windshield on top of the side panels



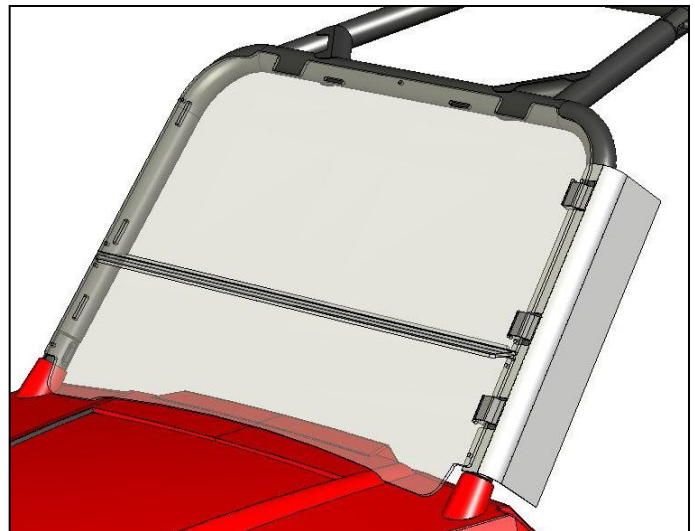
8. Install straps lacing through the flap opening to the inside of the cab & secure Velcro strap or P-Clamps. Reference Sezmik Versa-Shield Manual for Strap operation instructions..

SEIZMIK Hood Rack P/N 08072 (not included):



The side panel textile needs to be cut to accommodate the hood rack roll cage clamp / brackets.

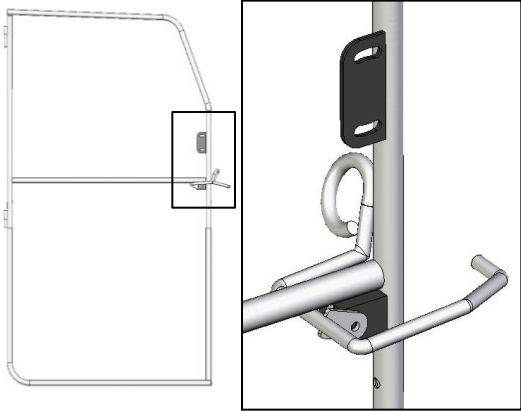
Follow the procedure outlined for the windshield strap / clamp and LED Light Bar.



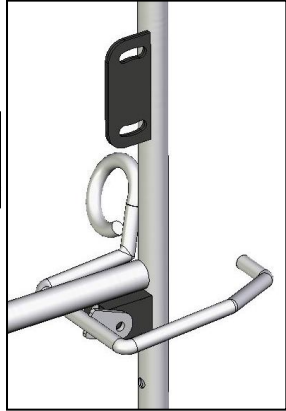
9. Adjust as required & secure straps tightly.

Accessories Installation:

SEIZMIK Side View Mirrors P/N18051 (not included):



The Upper Door Frame has provisions to mount SEIZMIK 18041 Side View Mirrors.



Locate plate behind inside Velcro flap & mark to punch holes in fabric.



Install mirror with supplied hardware. Adjust position as required.

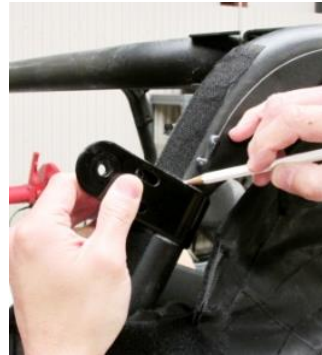
TIP: Tension adjustment bolt to tighten mirror movement if required

SEIZMIK LED Light Bar P/N12031 (not included):



1. Mount bar to vehicle & verify position in correct area.

NOTE: Verify windshield hardware if applicable

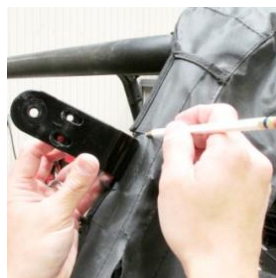


2. Mark position of light bar clamps on roll cage.

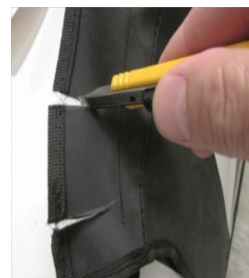


3. Remove bar & Install side panels to the front roll cage bars correctly.

NOTE: Verify position of side panels on the roll cage bars!!! You will cut the material & don't want to cut in the wrong location!!!



4. Reinstall side panels, verify light bar clamp position & mark fabric



5. Cut fabric across Do not cut past vertical seam



6. Cut fabric across Do not cut past vertical seam

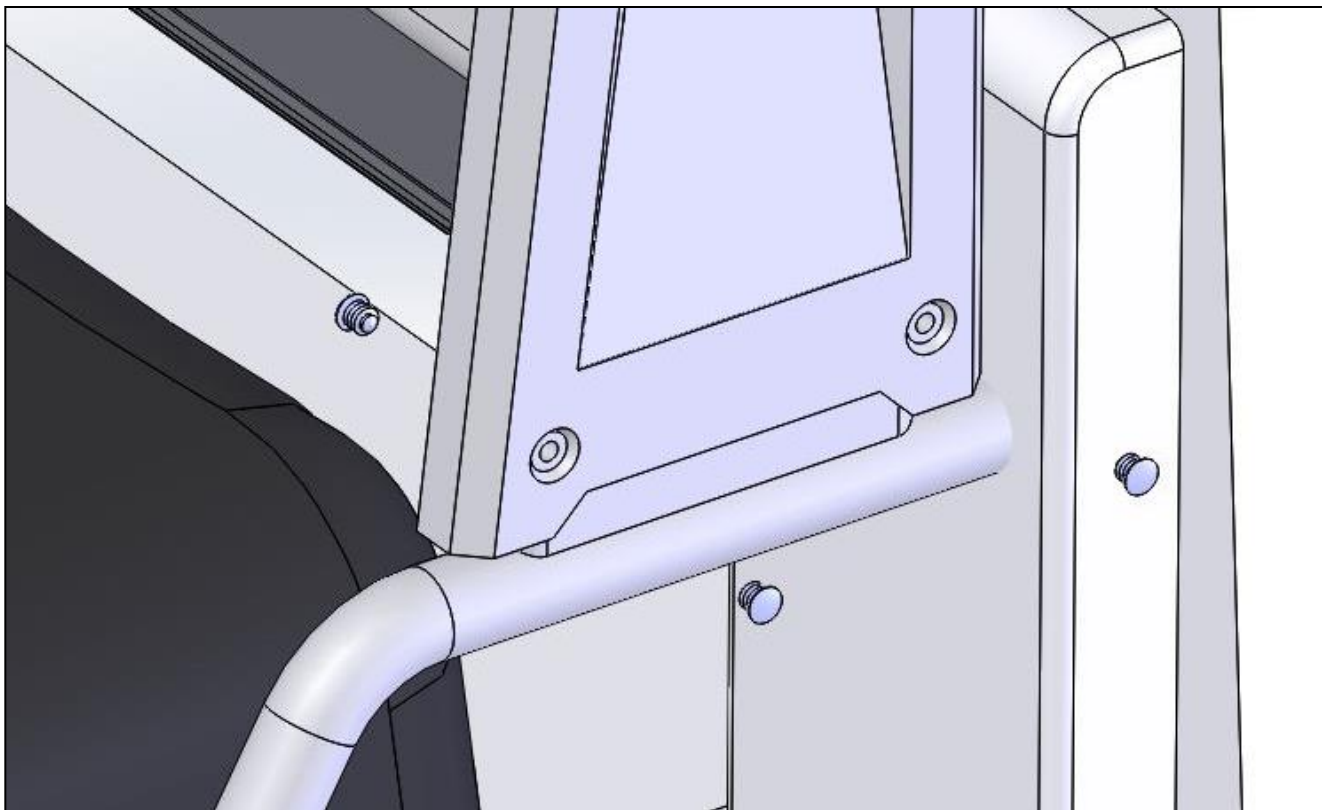


7. Fold cut flap inside

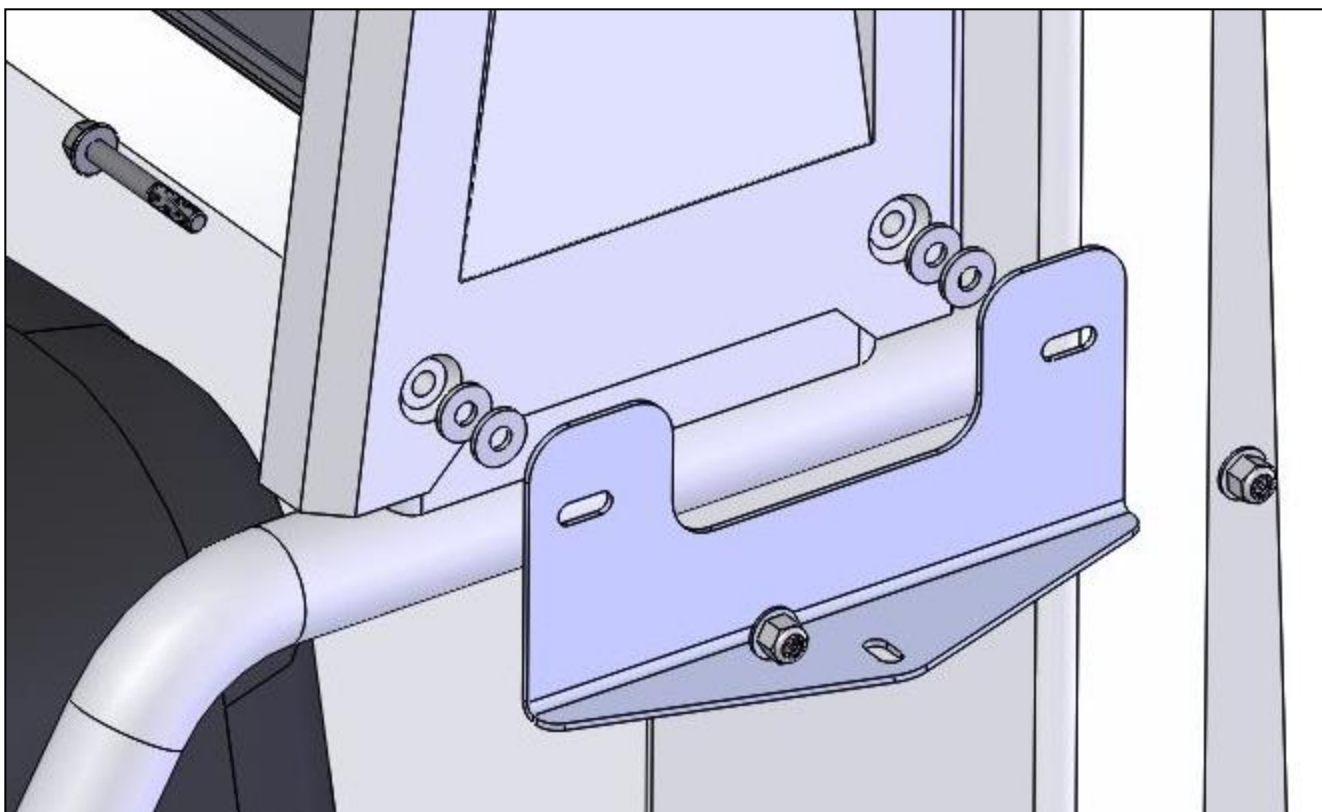


8. Install light bar bracket & bar

NOTE: If you have a Kubota RTV-XG850 Sidekick, the following will replace step 7 on page 4 and step 7 on page 5.



Pry out the 4 plastic push fasteners from the bottom of the shoulder restraint.



Install the rear subframe mounting bracket on the outside of the shoulder restraint in the following order: The bolts going through the shoulder restraint from the inside out, the two washers, bracket, then nuts. Do not tighten fully until the door is installed and adjusted.

If you have RTV-XG850 Sidekick you must cut the bottom plastic clamp on the passenger side as shown to clear the gas tank bracket. This will not allow it to clamp very tight but it doesn't need to. The lower portion of the door hinge tube only holds the textile in place.

