



FALCON RIDGE

2515 Bypass Rd. Flemingsburg, KY 41041

606-845-7439

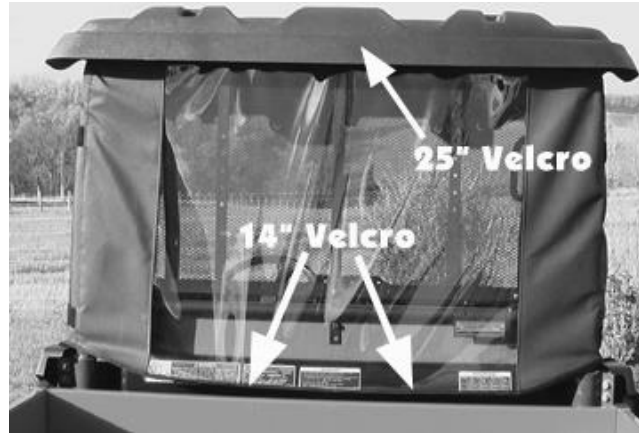
Instructions for Installation and Care of RTV 900 Rear Window

KU-RTV900-RW01

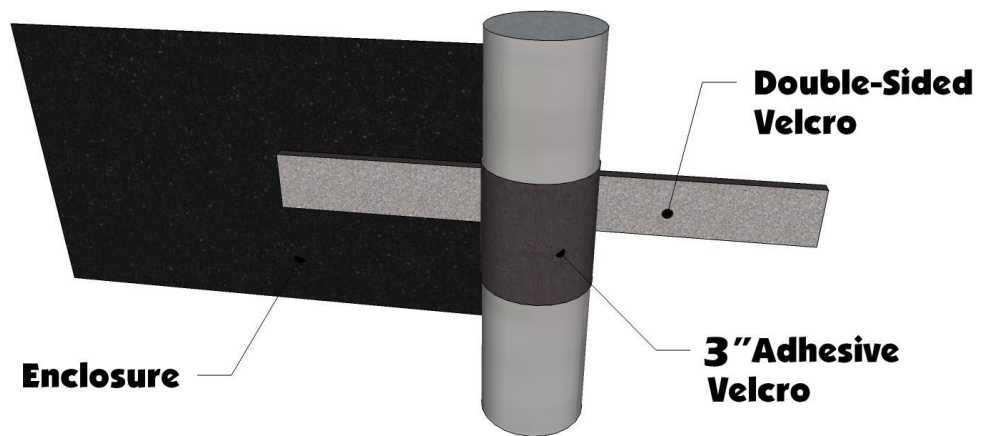
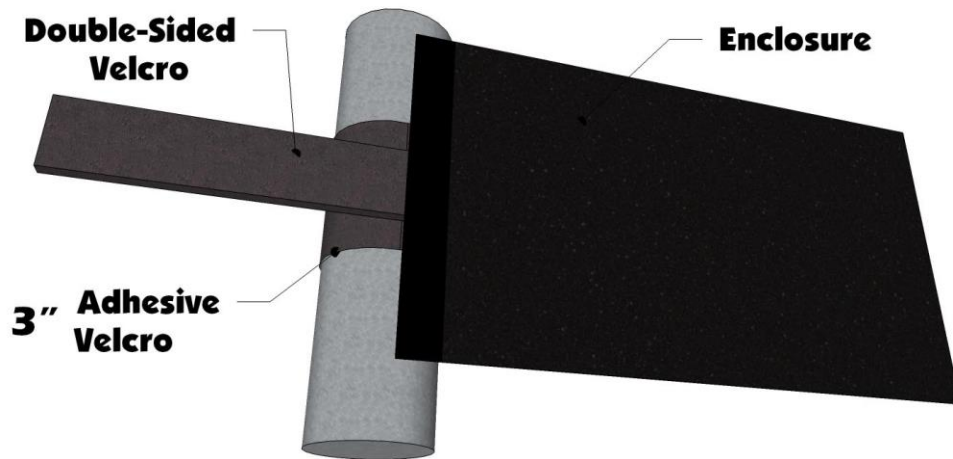
Notice: Do not smoke inside the cab or expose the enclosure to direct flames. Cab is Flammable.

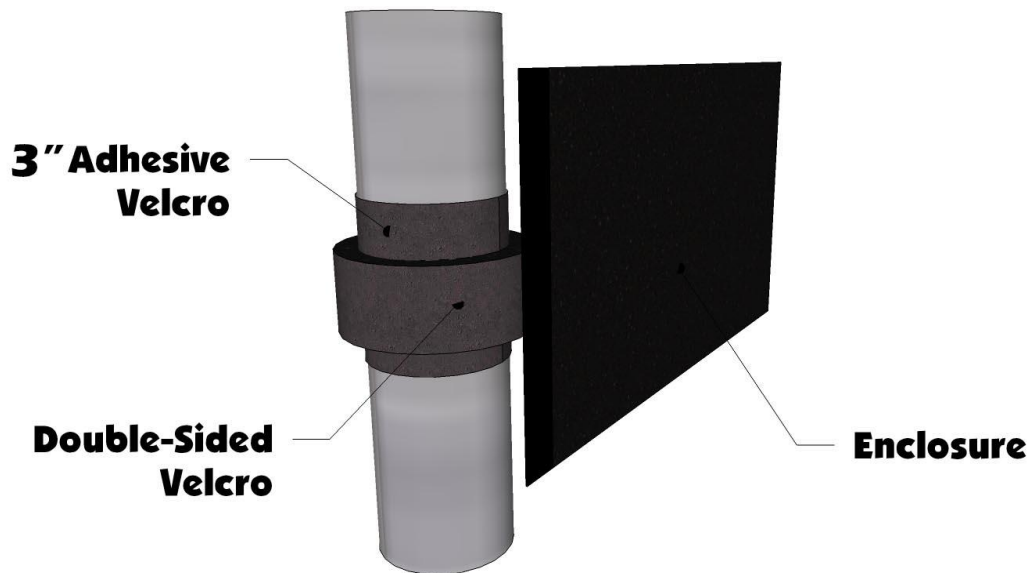
1. Be sure to read these instructions thoroughly before opening and installing the RTV 900 SoftRear Window. The installation is best done when the temperature is 60 degrees F. or warmer.
2. Carefully open the carton and remove the rolled up Cab Enclosure on a large flat surface that is clean and free of dirt or other material.
3. Check over the parts included in the carton with the parts list shown below:

Velcro Hook strips:	6 each	3" long
“ “	2 each	14" long
“ “	1 each	25" long
Rear Window	1 each	
4. Before beginning installation you must first remove the hardware holding the top along the rear, this will be all the removal necessary to install the Door/Rear Window Combo. It will also help installation if you first raise the bed.
5. First take the time to place a few pieces of adhesive Velcro. The first will be at the top of rear window under the hard top. Lifting up on the rear of the hard top, place the 25" adhesive strip on the top of the roll cage slightly leaning toward the front. Next attach the two 14" adhesive Velcro strips under the plastic piece at the bottom of the rear window. See photo below.



6. You will see six double-sided Velcro strips along the sides. At each location use one of the 3" adhesive Velcro strips on the inside of the roll cage then wrap the double-sided strips around the roll cage to lock it in place. See diagrams below.





Cleaning and Storage Recommendations:

1. Before removing the Falcon Ridge Cab for storage, make sure it is very clean in order to prevent scratching of the window panels. Clean with a soft rag or sponge using a mild liquid detergent soap and warm water solution. Never rub the windows with a dry cloth or rag! Let the Cab dry thoroughly before attempting to roll for storage.
2. It is important that the Cab be rolled up for storage rather than folding. Folding will cause damage to the windows!!! Carefully roll up the Cab similar to the way it was when it was packed at the factory. On a large, clean and flat surface, fold the doors over the rear panel first, then, interleave the top and windshield on top of the doors. Begin rolling the Cab into a roll approximately 8 inches in diameter. Put the rolled Cab back into the carton for storage at a normal room temperature. It is best not to expose the Cab to either extreme hot or cold temperatures when storing.
3. A special cleaner conditioner is available from Falcon Ridge that will greatly increase the service life of the Cab Enclosure. In addition, if additional hook and loop sets are needed, they can also be ordered.