



FALCON RIDGE

2515 Bypass Rd. Flemingsburg, KY 41041
606-845-7439

Instructions for Installation and Care of
Kubota RTV400
2-Piece Aero-Vent Lexan Windshield
KU-RTV400/500-WD05

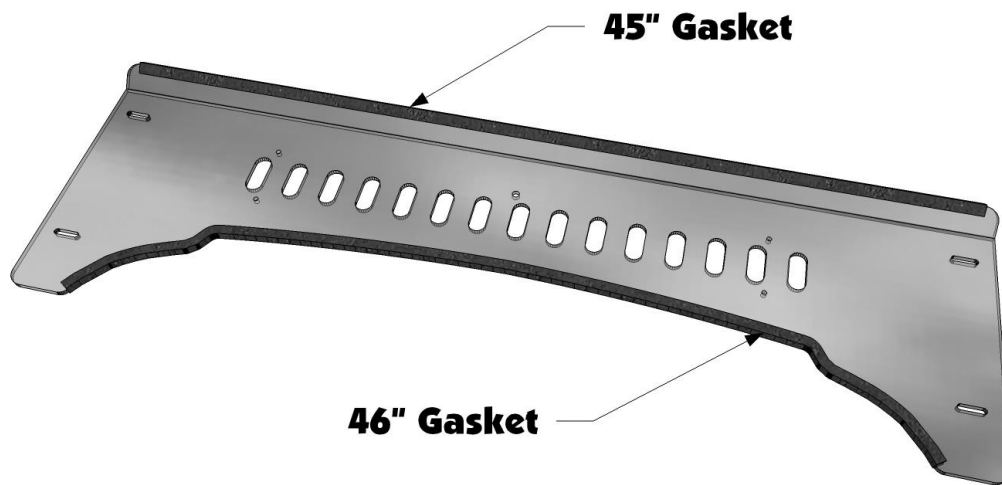
NOTICE: Please check contents of package for any damage and make sure all parts fit correctly and you are happy with the product before removing protective film. Once the film is removed you cannot return the product for a full refund.

1. Be sure to read these instructions thoroughly before installation.
2. Check over the parts included in the cartons with the parts list shown below:

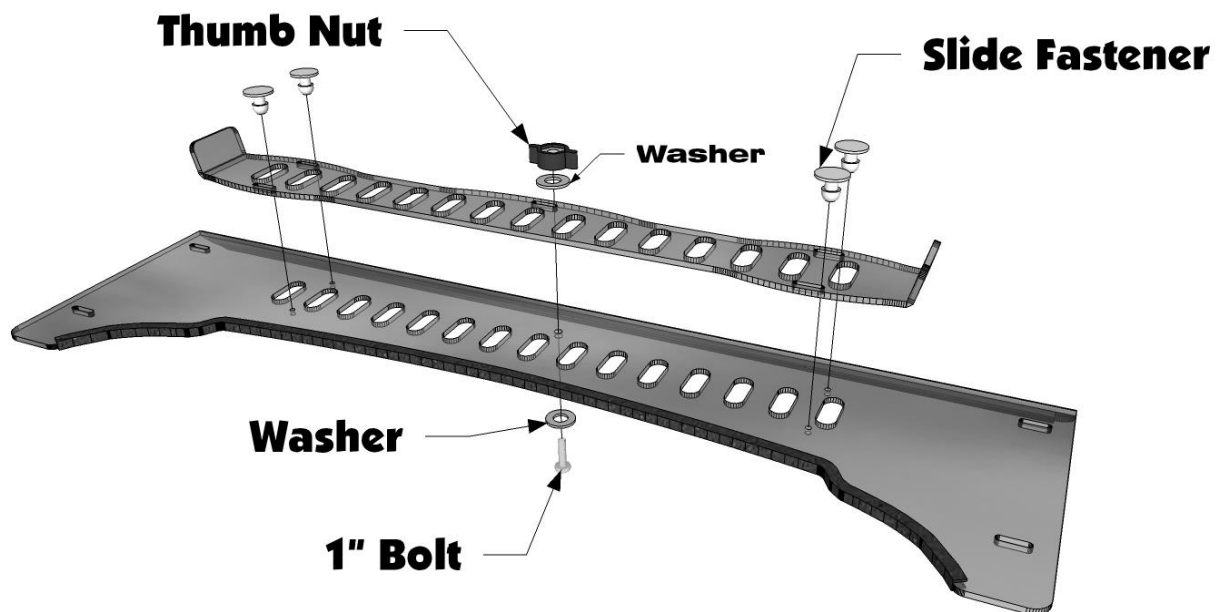
1 ½” Loom Clamps	8	each
1” Stainless Steels Bolts	13	each
Slide Fasteners	4	each
Lock Nuts	4	each
Stainless Steel Washers	18	each
Thumbnuts	9	each
45” Rubber Gasket	1	each
46” Rubber Gasket	1	each
Bent Lexan Brace	1	each
Lexan Windshield	2	Pieces

Tool Needed: **#2 Philips Screw Driver**
 7/16” Wrench

3. After pulling it out of the box, find a clean area to lay it down and install the hardware. Begin installation on the bottom section of the windshield, peel off the protective masking and install the rubber gaskets as shown in the diagram below.

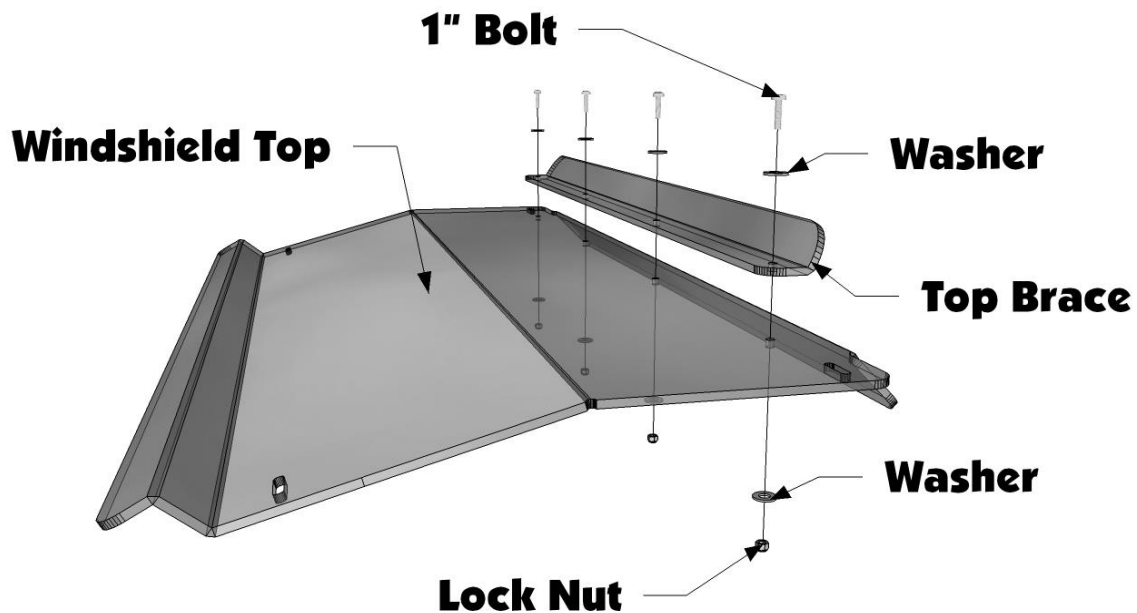


4. Next you will take the Aero-Vent slider and attach it to the inside of the windshield.
5. Follow the diagram below and assemble the Aero-Vent assembly.

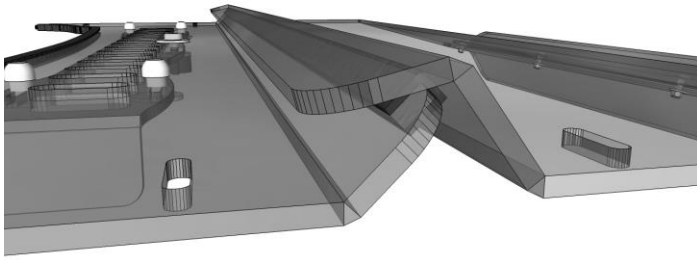




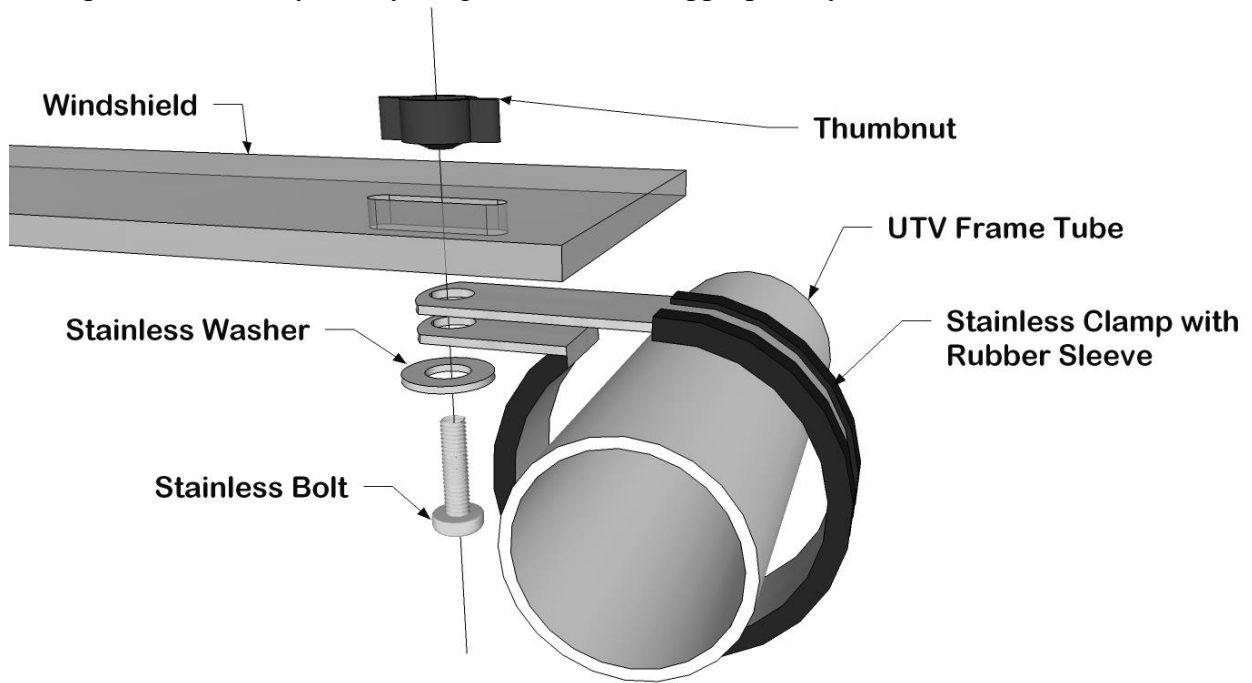
- Next take the bent Lexan brace and install it on the top section of the windshield. Remove the protective masking on both pieces prior to bolting the brace to the windshield. The bend will be above the bolts when installed. Please refer to the diagram below.



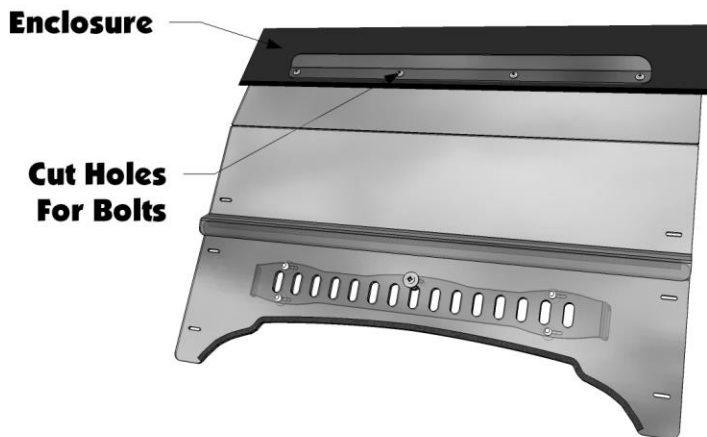
- Now you are ready to place the windshield on the vehicle and attach to the roll cage. Start with the bottom vented section and attach to the roll bars as shown in the diagram below.
- Next attach the top section of the windshield. **NOTE: The bend in the top of the windshield should go *below* the top tube.** Ensure that the windshield does not slip and fall whilst doing this.



9. The diagram below shows the proper placement sequence of the hardware. Use the 1" bolts for this application. Install each one loosely at first; after you have centered the windshield and are satisfied with exact placement, then you may snug the thumbnuts appropriately.



10. If using the Aero-Vent Lexan windshield with one of Falcon Ridge Cab Enclosures the top brace will be used to seal the top of the enclosure to the top of the windshield. After installing the enclosure over the windshield take a small knife and cut an x into the canvas where each hole is across the top of the windshield. Then install the brace as shown in the picture below.



11. Enjoy, and remember- when cleaning the windshield do so gently at first with warm water and mild detergent to dislodge any grit that may scratch the Lexan. After rinsing and drying with a soft cloth (we recommend microfiber), you may then polish the windshield with an appropriate commercially available plastic polish, also available from Falcon Ridge. This will ensure many seasons of clarity and keep scratching and swirling to a minimum. Never use cleaners such as Windex that contain ammonia as doing so may adversely affect the windshield.
12. Transporting or trailering your UTV with the windshield installed is not generally recommended. It is best to remove the windshield before transporting your UTV.

Thank You for your purchase!



Return Policy

If for any reason you choose to return this product it must be returned within **30 days from date item is received**. You **MUST** package the product exactly **as it was originally packaged from the factory to get a full refund for the product!**

The vinyl windows should never be folded when packaging in the box or for storage purposes. Lay all the windows on top of each other with the canvas folded in between and the paper (if available) on both sides of the windows.

All returned products will be inspected upon arrival at the production facility and must be in unused, factory new condition to receive refund - a 25% restocking fee will apply.

If ordered from Falcon Ridge please call at 606-845-7439 to gain a return authorization number, use our preferred shipping carrier (UPS) to return the item (unless the item is defective, you are responsible for paying the shipping to return the item.) **Any returns submitted to Falcon Ridge without a return authorization number will be charged a 20% restocking fee.** If ordered from one of Falcon Ridges many distributors', you

must first call them and see what their return policy is. Once your item reaches our production facility, our customer satisfaction team will inspect your item to ensure unused, factory new condition. **NOTE: All windshields must be returned with the original protective film intact and not removed. Do NOT REMOVE if you have any intentions of returning the item. Refund/ replacement of a windshield will only be processed on items with original protective film or if the windshield is defective.**

Items must be properly packaged in the original shipping carton to protect them during transit and ensure your returned item arrives back factory fresh, and in new resalable condition (**any returned items that have been used, altered or damaged in any way will not be subject for a refund.**) All contents including instruction manuals, accessories, hardware, Velcro, etc. must be included in your return shipment. Only items in OEM factory new condition will be approved. Once returned items are received, credit will be issued to the original credit card/ payment method used for the purchase. Outbound shipping and return shipping cost will not be refunded. Please allow 4 to 6 weeks for your refund to be processed.

Warranty

To The Owner of this Product:

Thank you for purchasing one of Falcon Ridge Cab Enclosures, Tops &/or Windshields! Below are the terms under which your product is covered under our manufacturer's warranty.

30 Day Warranty which includes and is not limited to replacing the enclosure, tops and/or windshield due to defect of the product. Please refer to the return policy in this case for more information.

1 Year Warranty includes any defect in material or workmanship within this time frame we will gladly correct the problem or replace the enclosure, tops &/or windshield. Upon submitting for the correction or replacement we will need to receive pictures of the defect in material or workmanship along with the receipt from the date of purchase.

Thank you,

Falcon Ridge