



FALCON RIDGE

2515 Bypass Rd. Flemingsburg, KY 41041

606-845-7439

WARNING: Make sure to fit the windshield on your vehicle before removing protective film. Be sure that your windshield fits properly before beginning installation. Once Protective Film is removed it cannot be returned for refund.

Kawasaki Mule 600/610

Aero-Vent 2-Piece Lexan Windshield

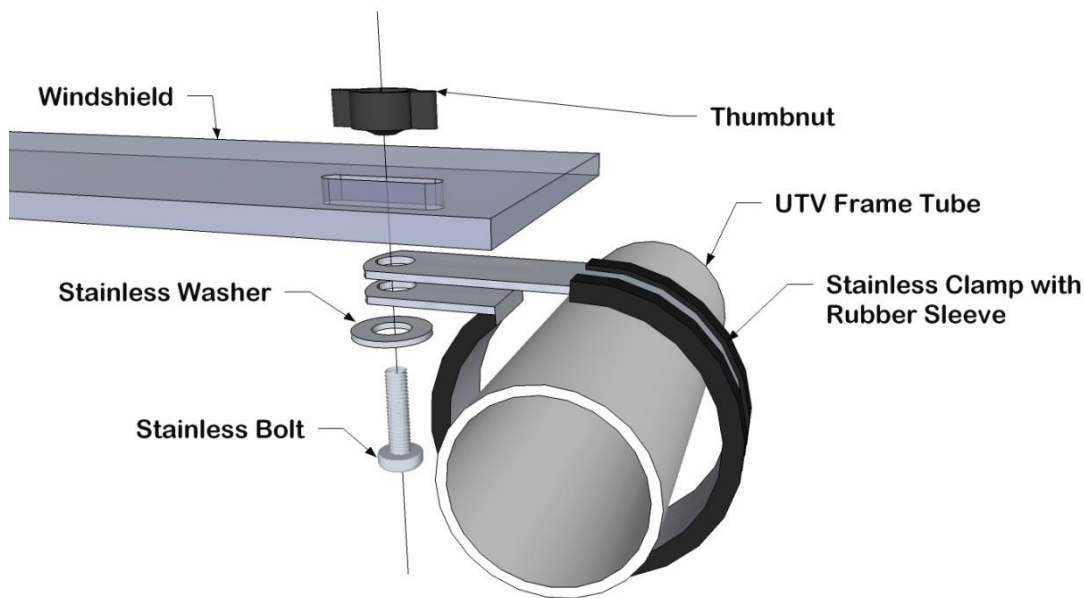
In the Box:

- 4 ----- 1 3/4" Clamps**
- 9 ----- 1" Bolts**
- 13 ----- Washers**
- 4 ----- Lock Nuts**
- 5 ----- Thumb Nuts**
- 4 ----- Slide Fasteners**
- 1 ----- 50" Rubber Gasket**
- 1 ----- Bent Lexan Braces**
- 1 ----- 2-Piece Lexan Windshield**

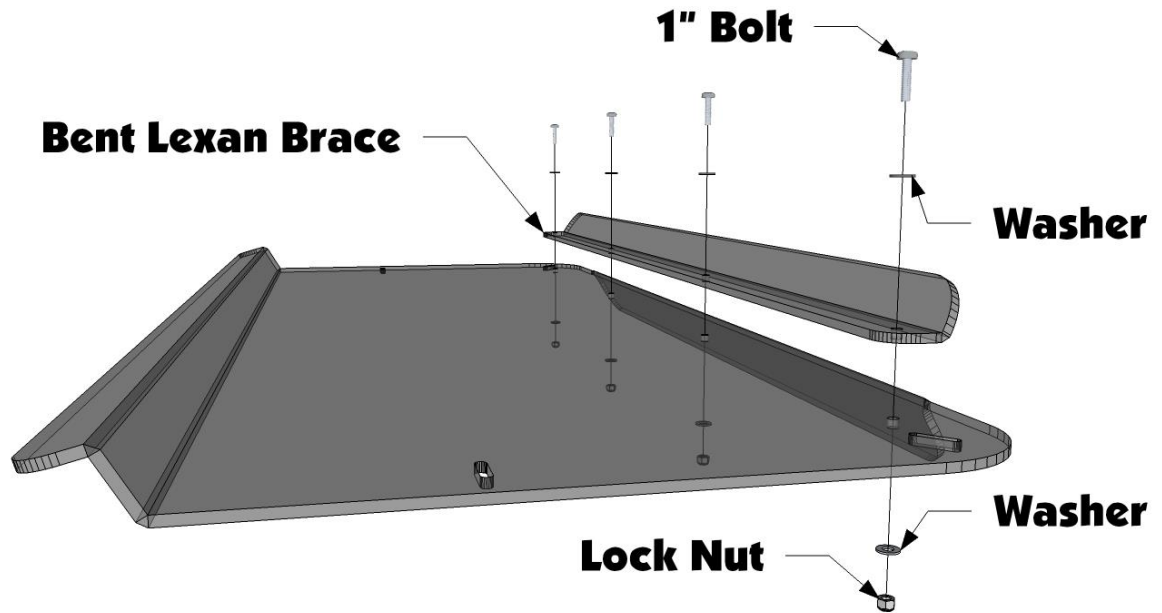
- Please check the parts to assure that you have received all of the parts. If any parts are missing please call Falcon Ridge at the number above and the parts will be promptly sent to you**

Installation:

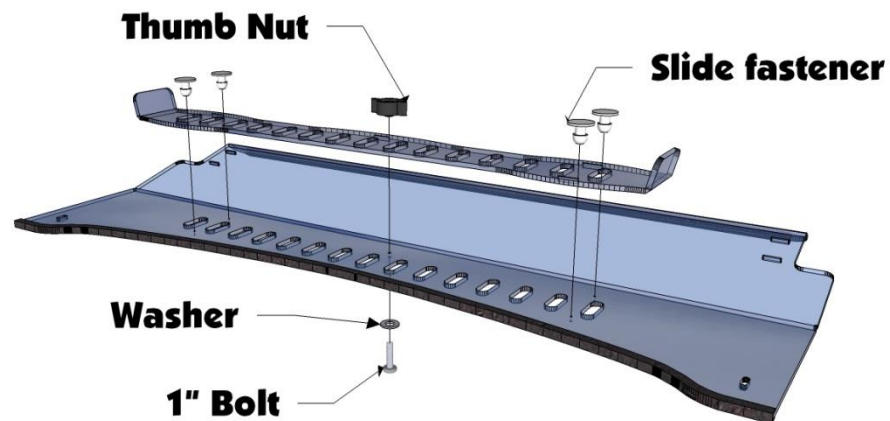
- Begin by installing the top panel of the windshield to the frame of the Mule.
 - Place three clamps around the roll cage on each side of the frame. Then have someone hold the windshield in place while you install the hardware for each clamp. Hold the top panel up to the frame, placing the bend at the top under the top horizontal frame tube.
- Below is the proper placement of the clamp and its hardware:



- Once all four clamps have been installed, push the windshield against the top tube and tighten down the bolts.
 - Across the top of the windshield there are 4 holes that are for one of the bent Lexan braces provided. Line up the holes to determine which brace to use.
 - The top brace is designed to work with the Falcon Ridge cab systems. If you are not using the windshield with a cab the use of the top brace is optional but recommended.
- Install the top brace as shown in the diagram below:

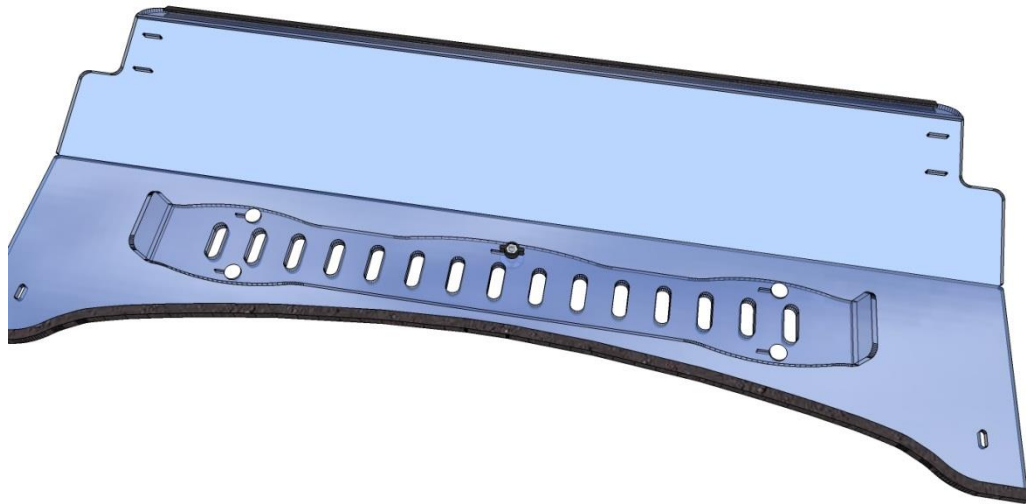


- Now move on to the bottom panel of the windshield
- Before attaching the bottom panel to the frame, install the Aero-Vent slider.
- Start by installing a 1" bolt and washer into the thread inserts from outside in as shown in the diagram below.



- Next place the vent slider on the inside of the bottom panel with the 1" bolt protruding through the middle slot.

- Line up the four corner slots with the holes in the windshield panel and push the slide fasteners through the slots and into the hole.
- **NOTE: make sure the slider is in the correct position before installing slide fasteners since they are extremely difficult to remove once installed.**



- Next place the 50” gasket along the bottom contoured edge of the Windshield.
- The only thing left to do is slide the bottom section of the windshield into the channel along the bottom of the top section
- Center the bottom section and lower it down on the hood. Take the bungee straps on either side of the windshield and wrap them around the roll cage and the posts along the edge of the Windshield.