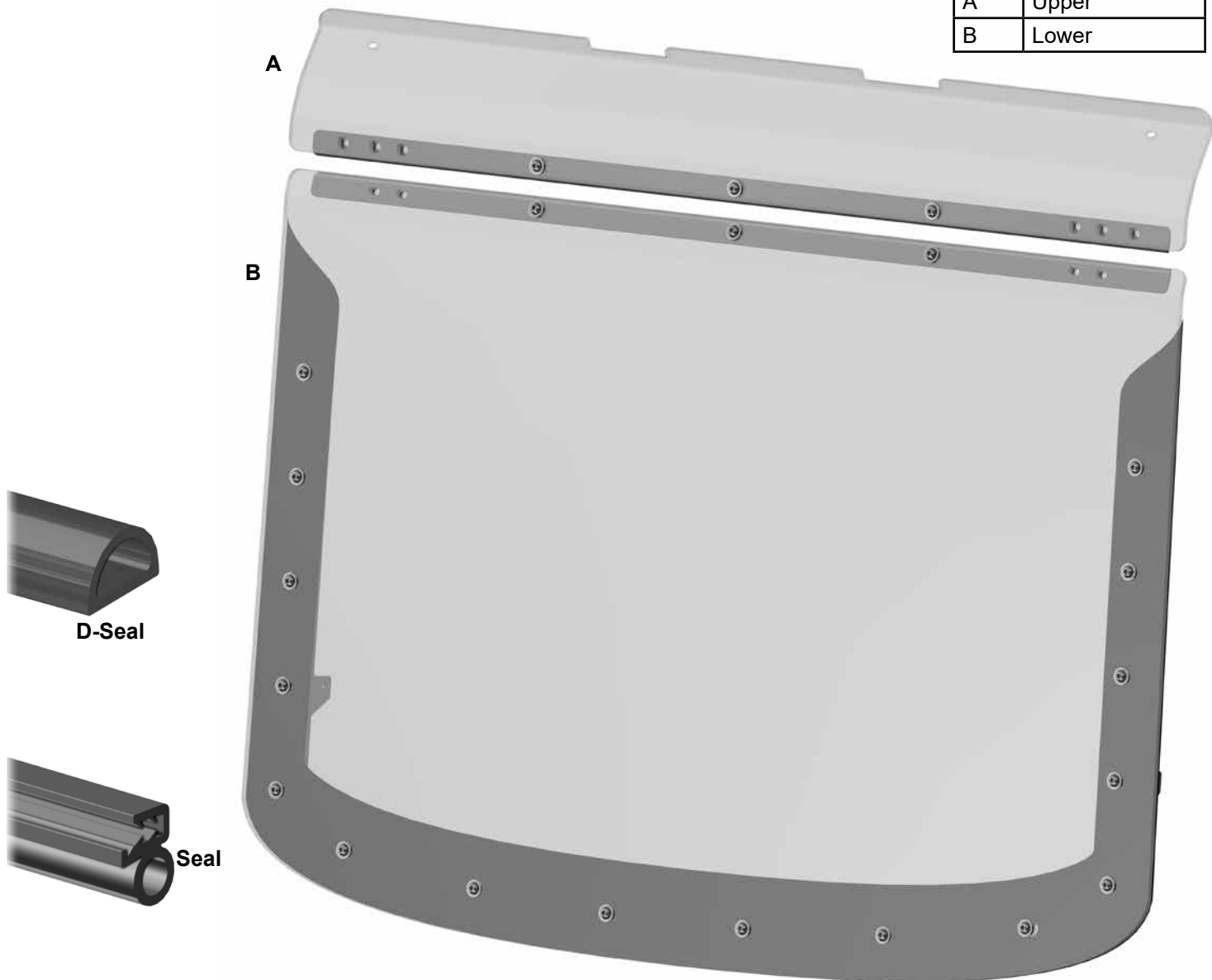


**INSTALLATION INSTRUCTIONS**  
**Power Flip Windshield: for Can-Am Commander**

- Do not discard packaging until product has been successfully installed.
- SuperATV does not recommend keeping Windshield installed while transporting on an open air trailer. Remove or secure with straps.
- This item is not returnable if the protective film has been removed.
- Test fit to the cage to confirm fitment before removing film.

Item	Description
A	Upper
B	Lower



(kit contents continue on following pages)

**Need help with your installation?**

 [sales@superatv.com](mailto:sales@superatv.com)
 [www.superatv.com](http://www.superatv.com)

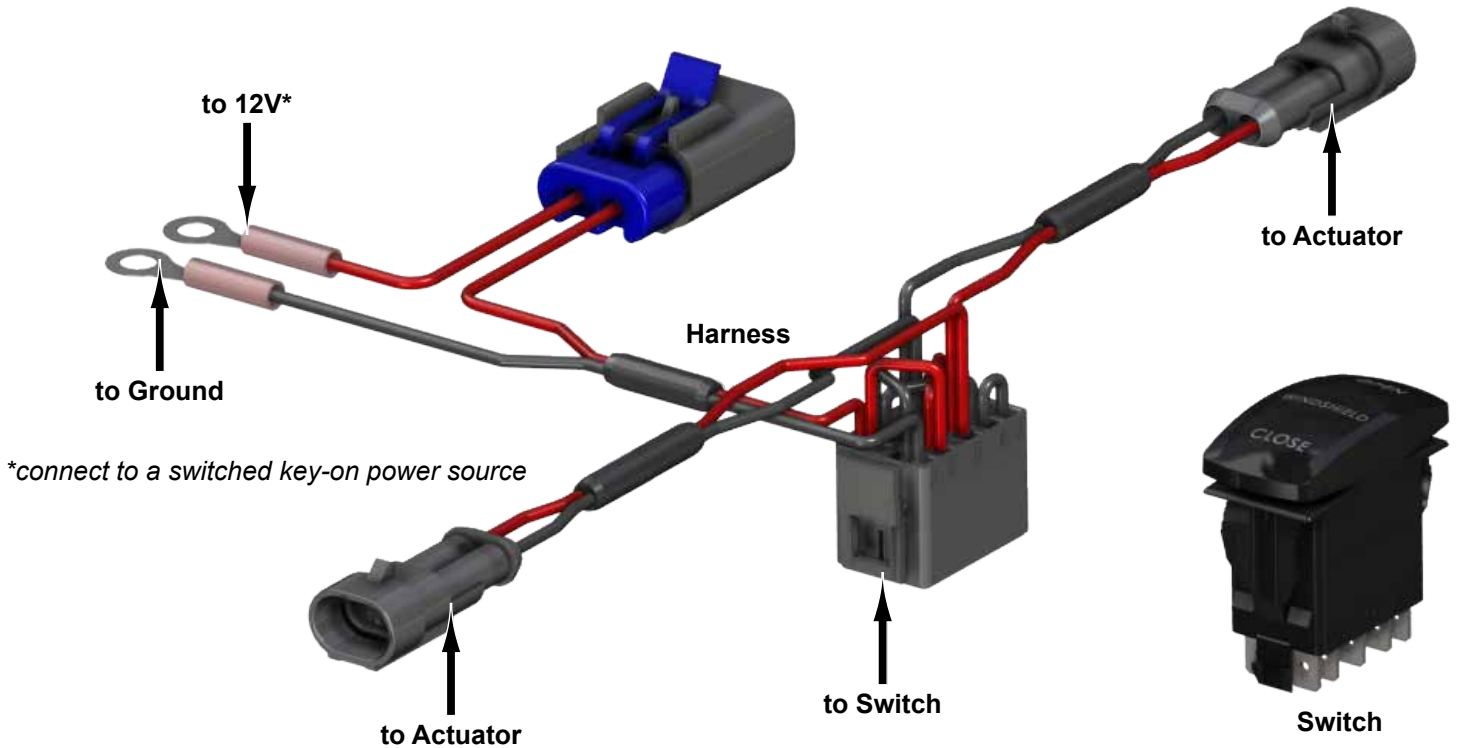
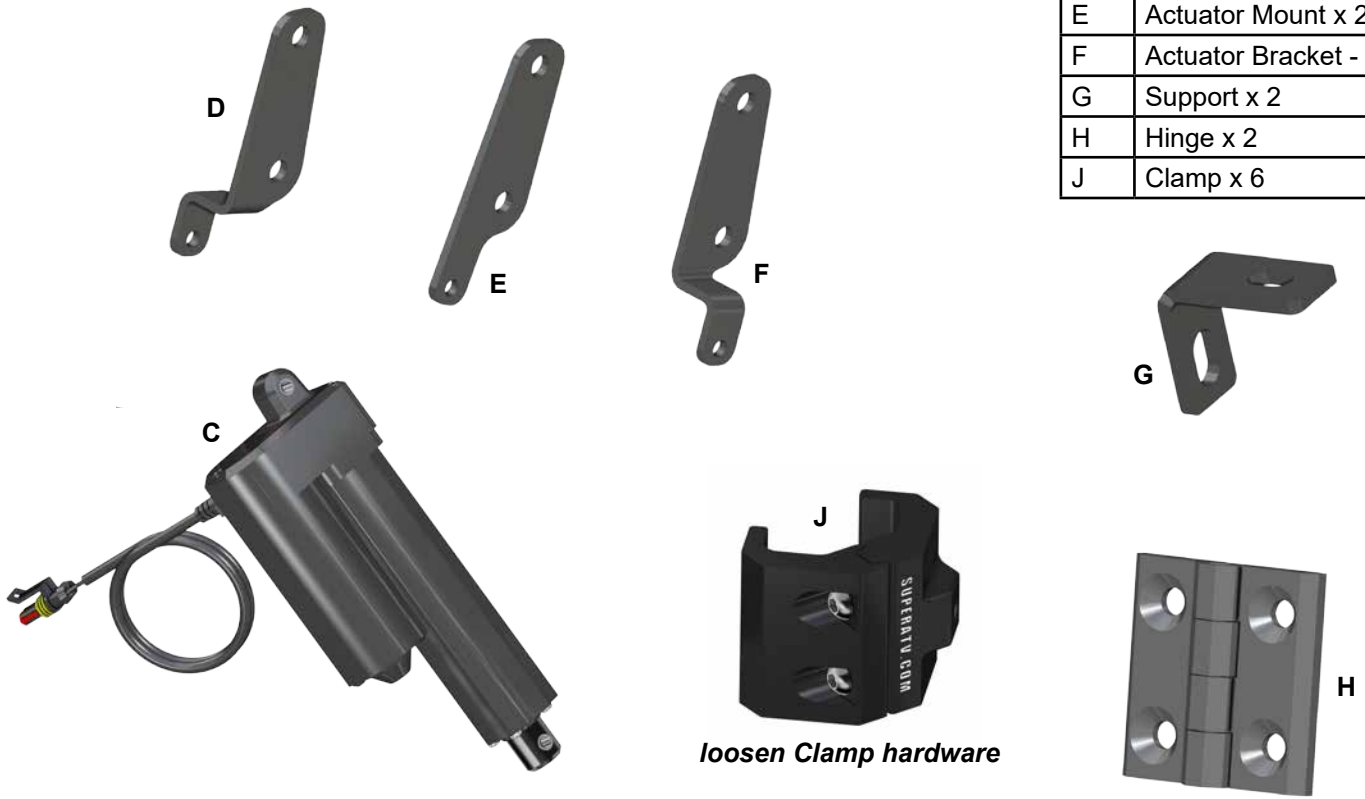
 1-855-743-3427
  8:00am - 8:00pm EST M-Th  
 8:00am - 7:00pm EST Friday  
 9:00am - 2:00pm EST Saturday

Read instructions and view illustrations before beginning.

*Thank You*  
*For Choosing*  
**SUPERATV**.COM<sup>®</sup>

(kit contents continued)

Item	Description
C	Actuator x 2
D	Actuator Bracket - R
E	Actuator Mount x 2
F	Actuator Bracket - L
G	Support x 2
H	Hinge x 2
J	Clamp x 6



#### Liability Statement

SuperATV's® products are designed to best fit user's ATV/UTV under stock conditions. Adding, modifying, or fabricating any factory or aftermarket parts will void any warranty provided by SuperATV® and is not recommended. SuperATV's® products could interfere with other aftermarket accessories. If user has aftermarket products on machine, contact SuperATV® to verify that they will work together.

Although SuperATV® has thousands of satisfied customers, user should be aware that installing lift kits, long travel, or suspension kits, tires, etc. will change the ride of machine and may increase maintenance and part wear. Operating any off-road machine while, or after, consuming alcohol and/or drugs increases risk of bodily harm or death. No warranty or representation is made as to this product's ability to protect user from severe injury or death. SuperATV® urges operators and occupants to wear a helmet and appropriate riding gear at all times.

By purchasing and installing SuperATV® products, user agrees that should damages occur, SuperATV® will not be held responsible for loss of time, use, labor fees, replacement parts, or freight charges. SuperATV®, nor any 3rd party, will not be held responsible for any direct, indirect, incidental, special, or consequential damages that result from any product purchased from SuperATV®. The total liability of seller to user for all damages, losses, and causes of action, if any, shall not exceed the total purchase price paid for the product that gave rise to the claim.

SuperATV® will warranty only parts provided by SuperATV®. Any damage or problems with OEM housings, bearings, seals, or other manufacturers' products will not be covered by SuperATV®. SuperATV® parts and products are not warranted if item was not installed properly, misused, or modified.

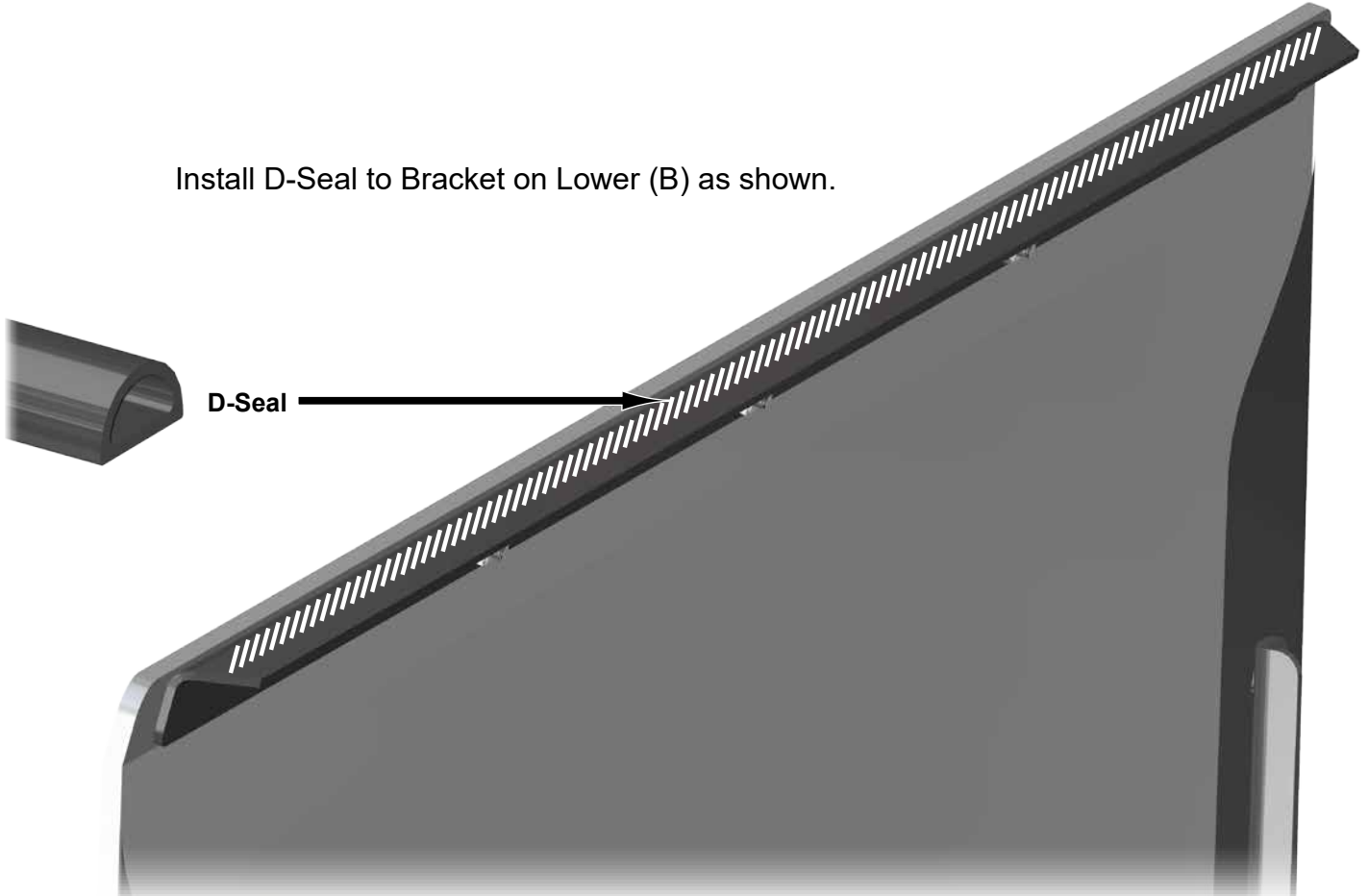
Installing, adding, modifying, or fabricating any factory or aftermarket product to your ATV/UTV may violate certain local, state, and federal laws. Be advised that laws vary depending on town, city, county, state, etc. Use of certain products on public streets, roads, or highways may be in violation law. The Buyer is solely and exclusively legally and personally responsible for any violation of the law by the installation or use of the product. You must abide by all local, state, and federal laws, including but not limited to vehicle safety, traffic laws, and ordinances. It is your responsibility to know the laws and how they apply to you.

The Buyer is responsible to fully understand the capability and limitations of his/her vehicle according to manufacturer specifications, warnings and instructions and agrees to hold SuperATV® harmless from any damage resulting from failure to adhere to such specifications, warnings and/ or instructions. The Buyer is also responsible to obey all applicable federal, state, and local laws and ordinances when operating his/her vehicle while using this product, and the Buyer agrees to hold SuperATV® harmless from any violation thereof.

#### Windshield Cleaning:

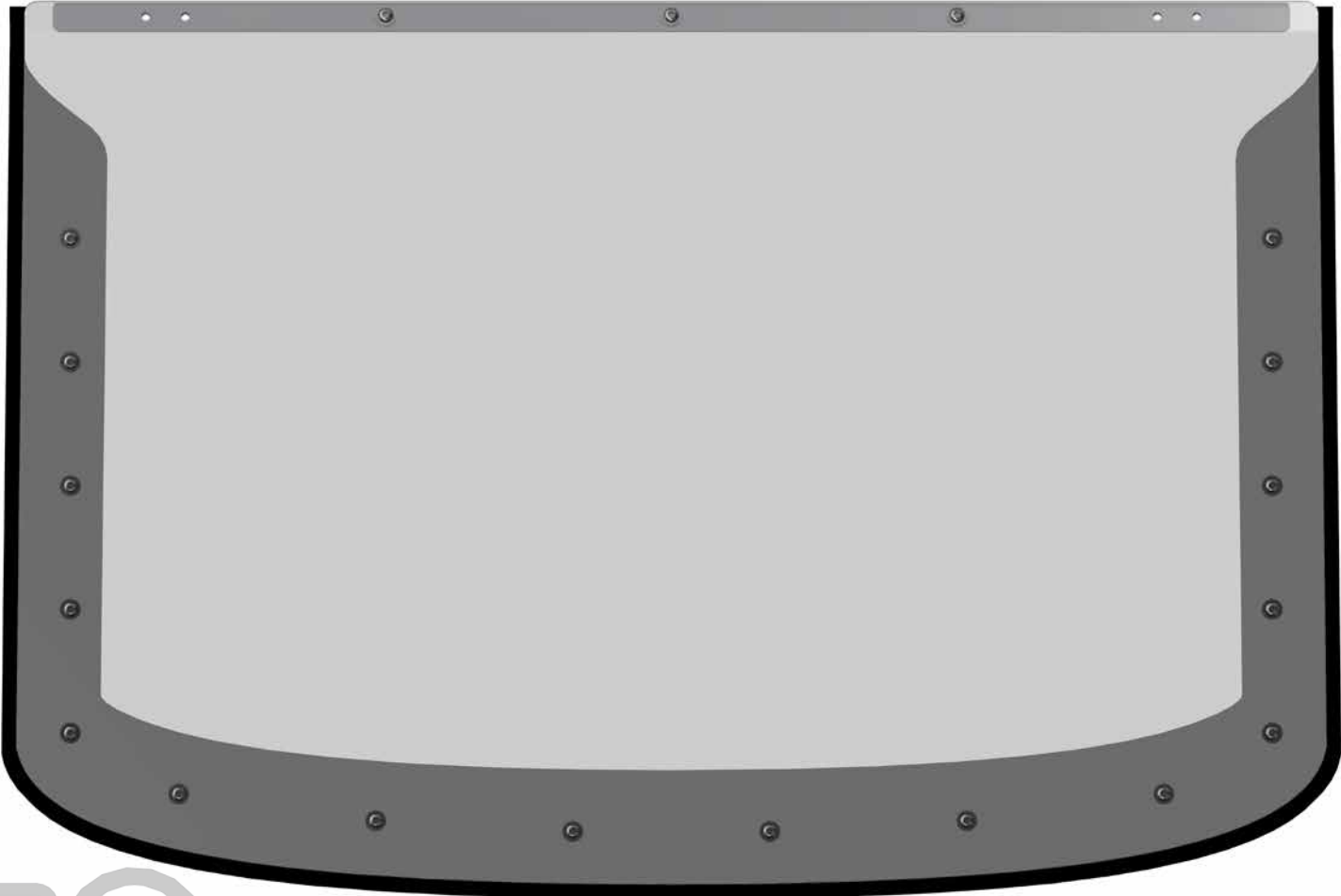
- Do not use Rain-X®, Plexus® or any other protector, wax, or polish.
  - Do not use window cleaning fluids (Windex, 409, etc) or any solvents (gasoline, denatured alcohol, acetone, etc).
  - Never use abrasive cleaners, abrasive pads, or gritty cloths.
  - Do not use a windshield wiper blade or install a motorized windshield wiper
  - Never use razor blades, scrapers, squeegees, brushes, etc.
1. Thoroughly rinse Windshield to float off dirt and mud.
  2. Using a soft cloth, or microfiber cloth, clean Windshield with warm water and a gentle detergent. Baby shampoo, rubbing alcohol, or hand washing soap can also be used.
  3. To prevent water spots, use a chamois to blot Windshield dry.

Install D-Seal to Bracket on Lower (B) as shown.

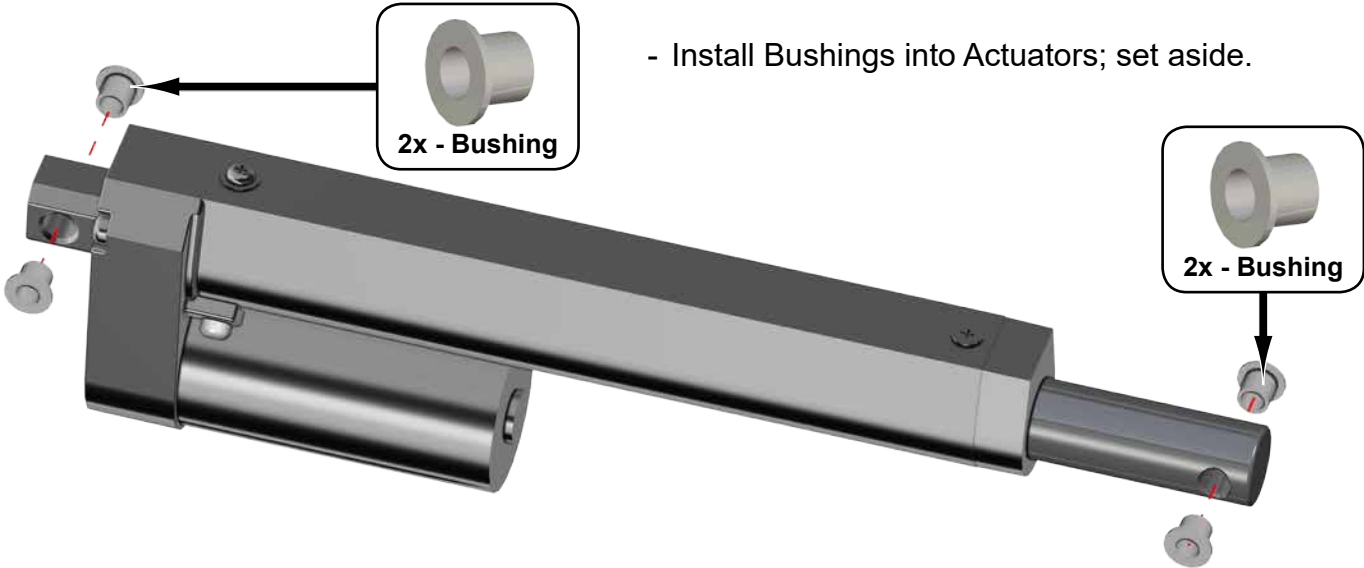


**Soak Seal in hot water before cutting or installing to increase flexibility.**

Install Seal around Lower (B) in location shown.

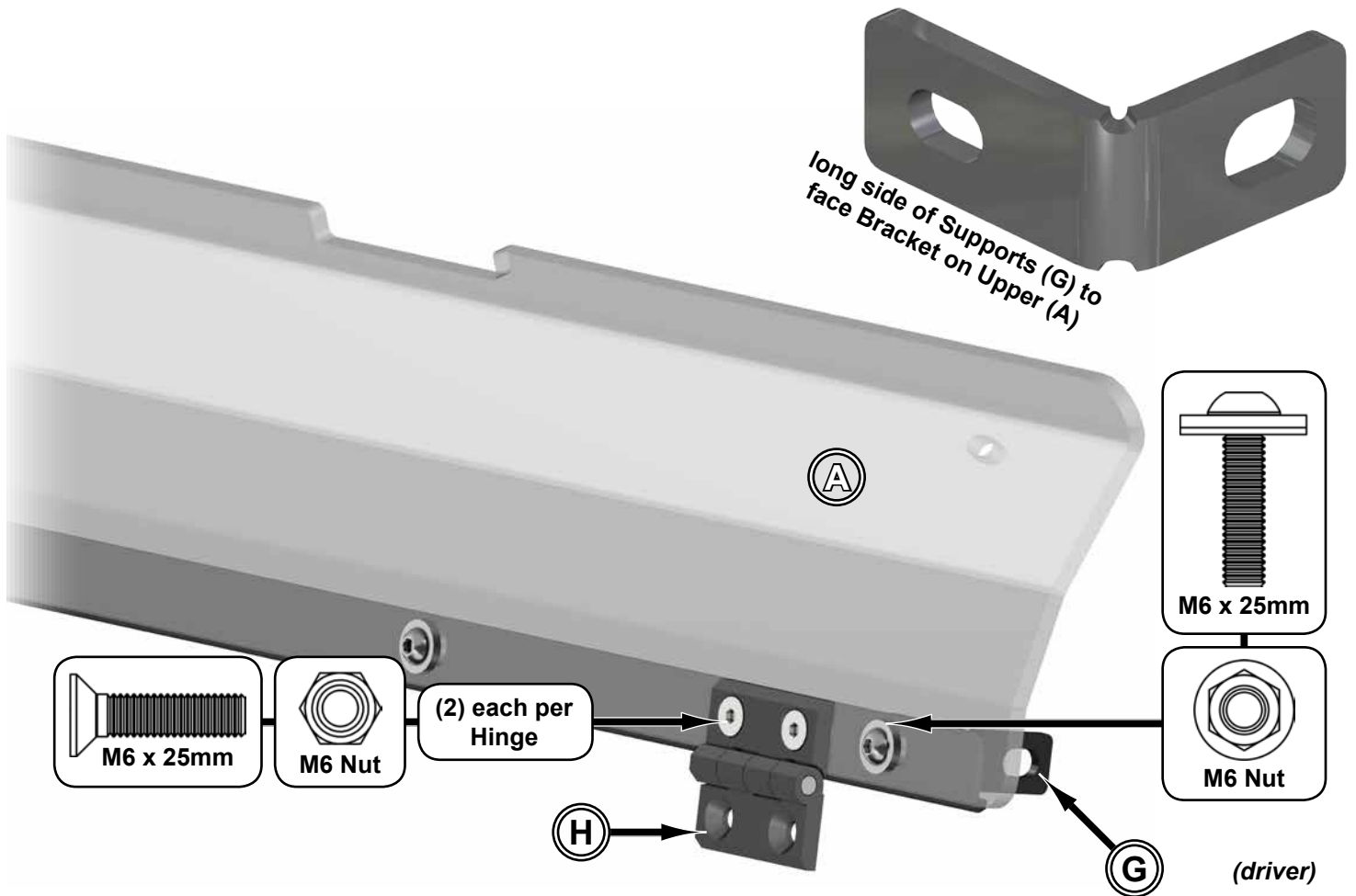


Seal to always face towards vehicle

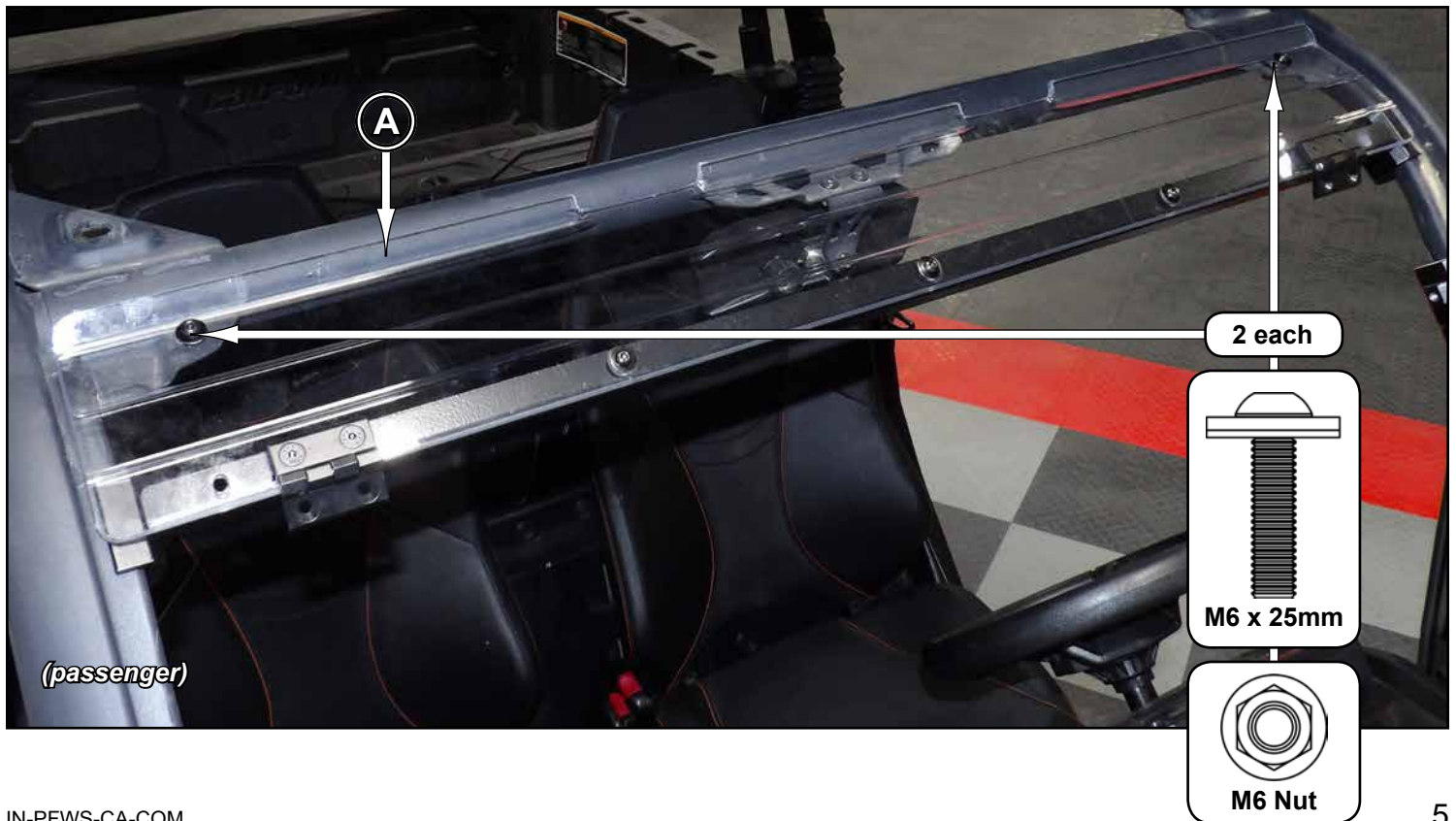


- Install Bushings into Actuators; set aside.

- Install Hinges (H) and Supports (G) to Upper (A) with hardware shown; tighten.

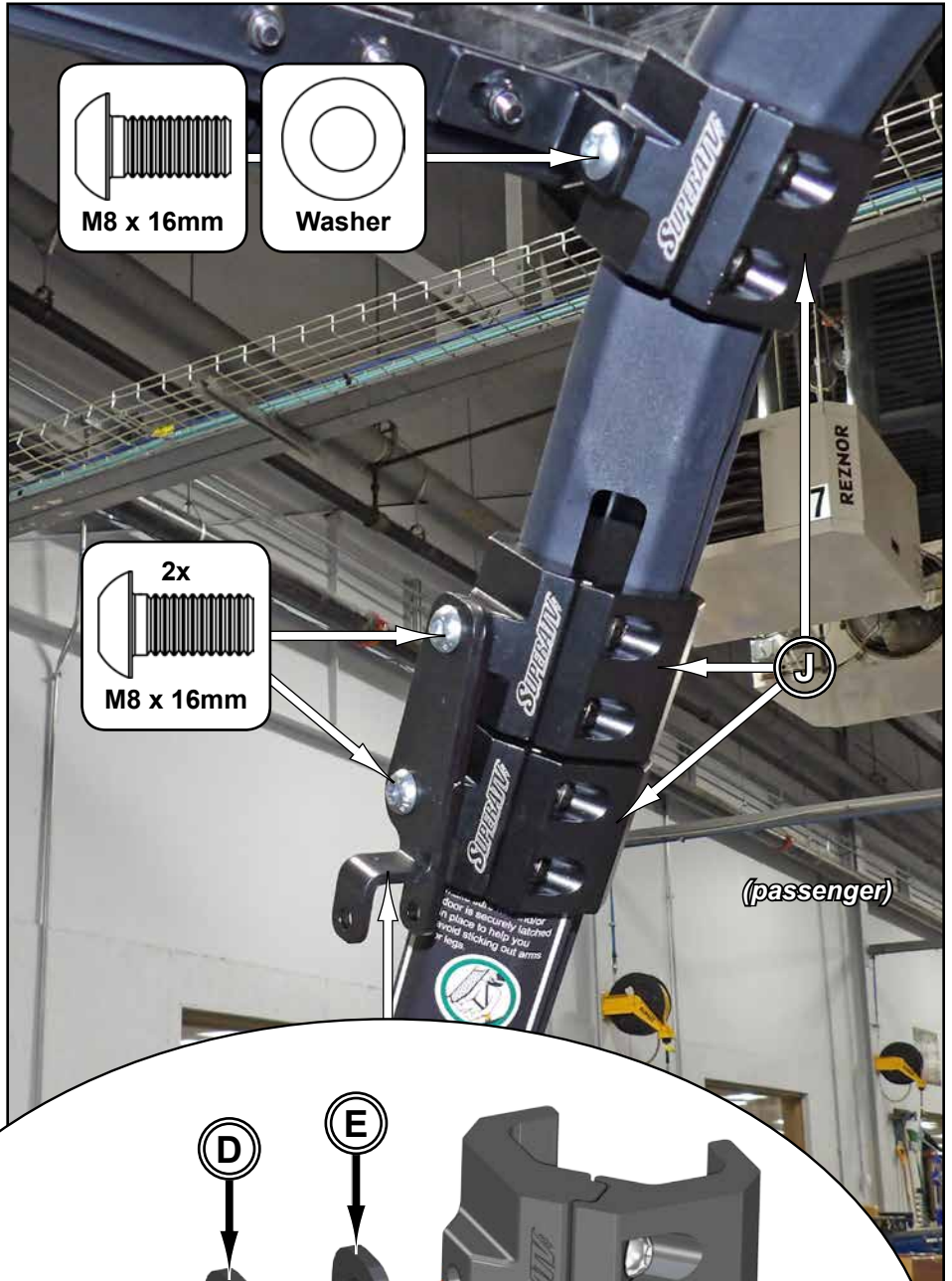


- Secure Upper (A) to Frame with hardware shown; do not tighten.





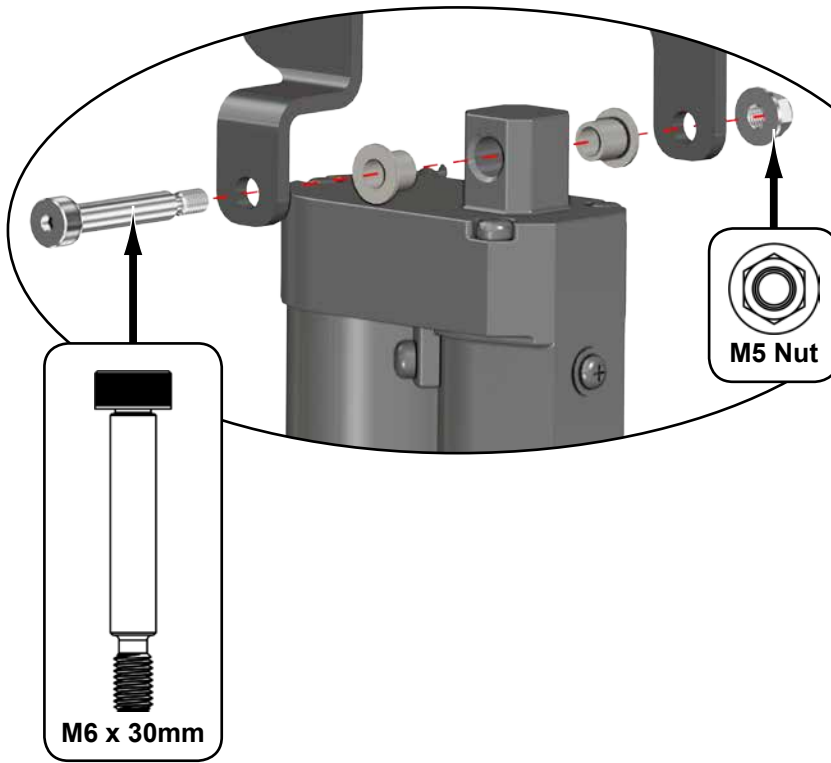
- Place Clamps (J) onto Frame in locations shown; do not tighten.



- Install Actuator Bracket - R (D) and Actuator Mount (E) to Clamps (J) with hardware shown; tighten.
- Repeat for driver side.

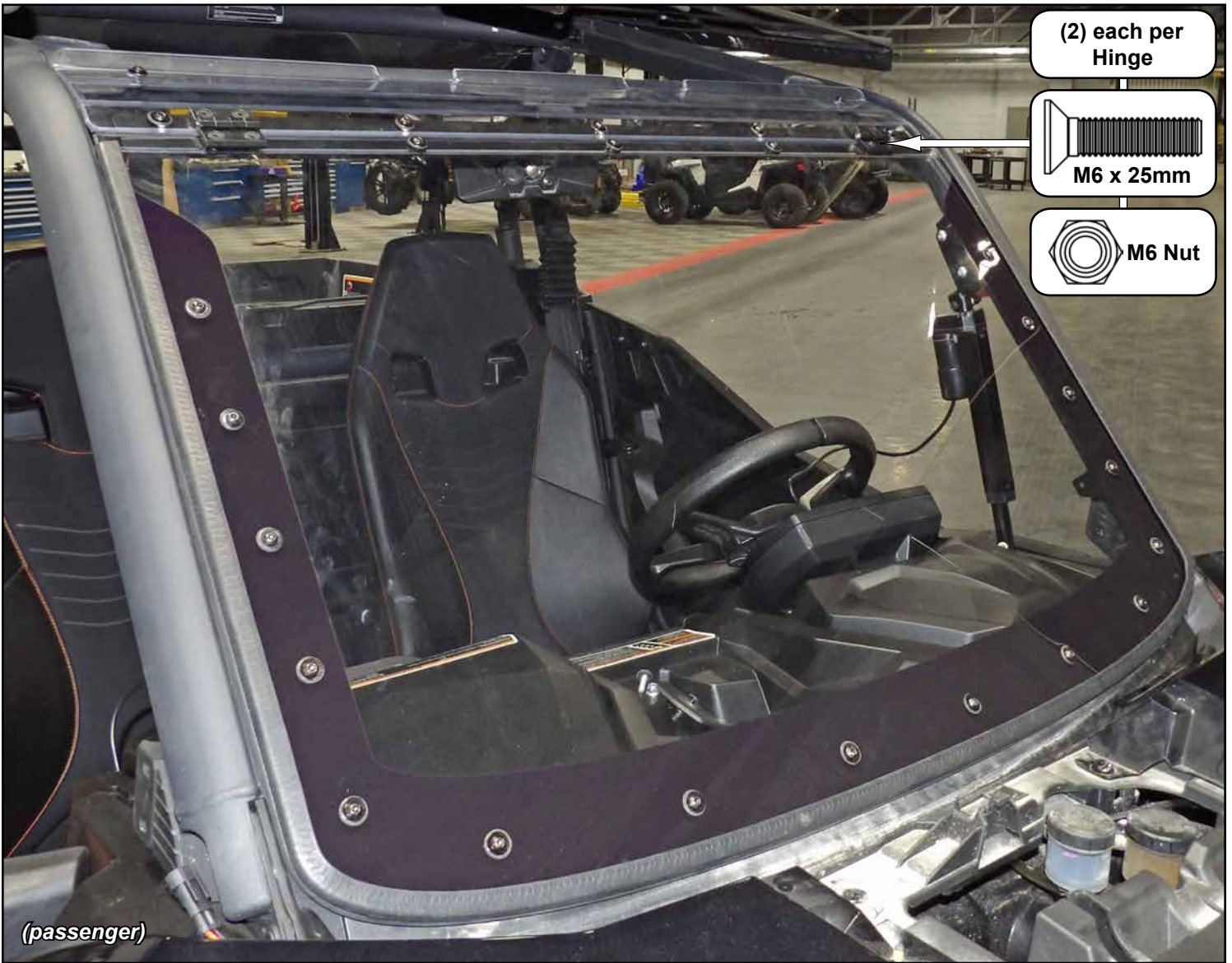


- Secure Actuator (C) with hardware shown; tighten.
- Repeat for driver side.

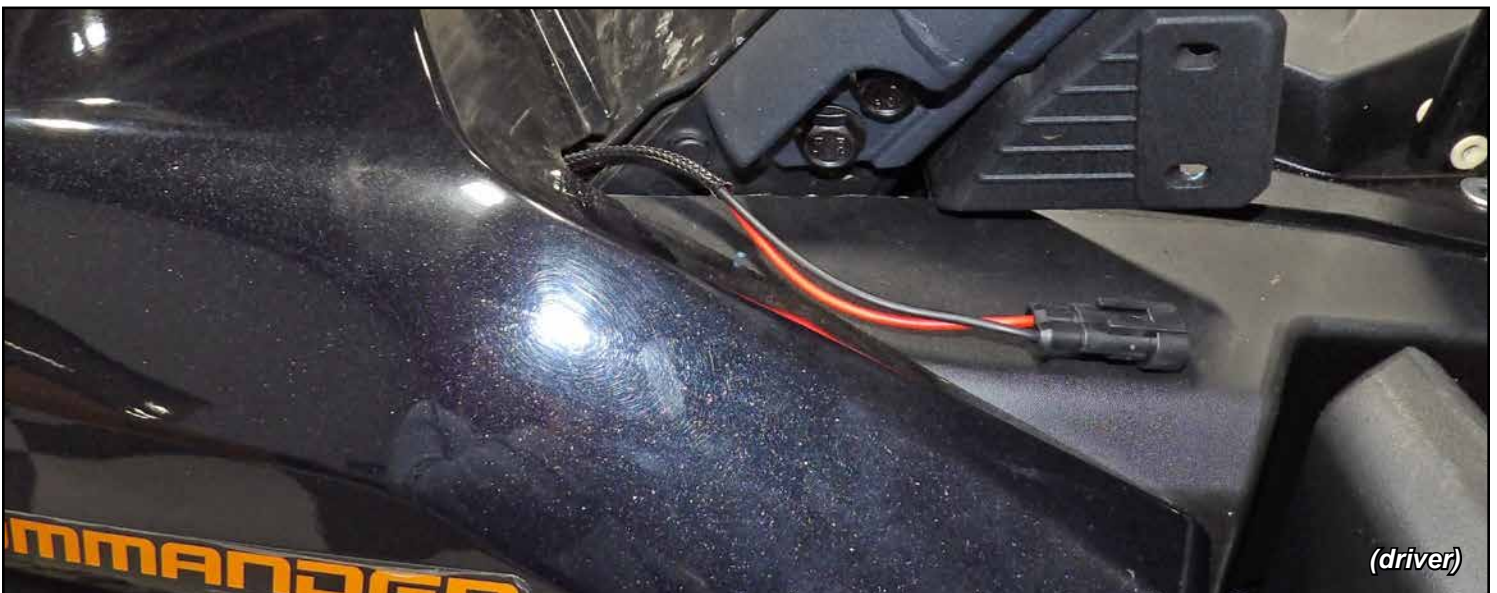




- Place Lower (B) onto machine.
- Secure to Hinges (H) with hardware shown.

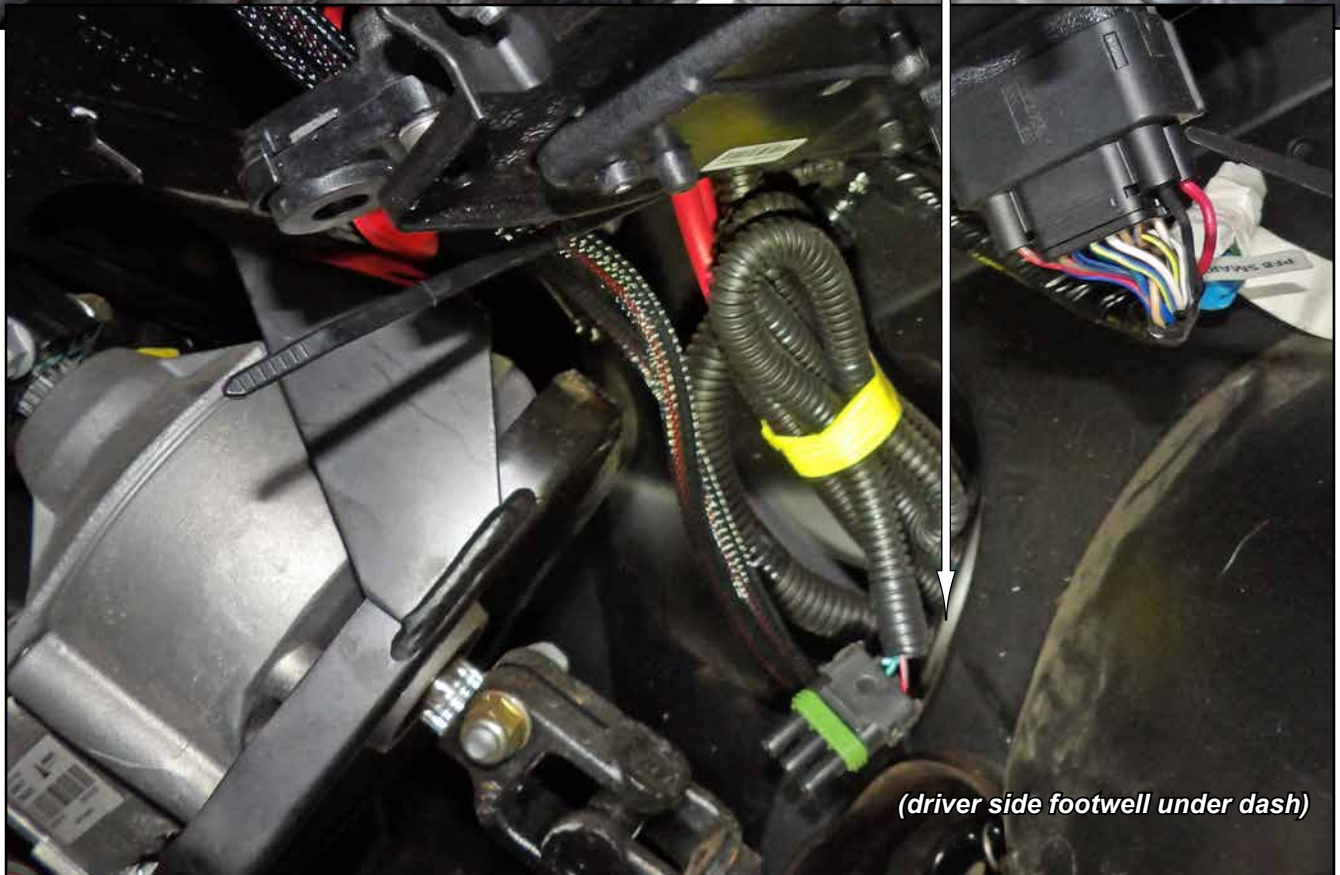
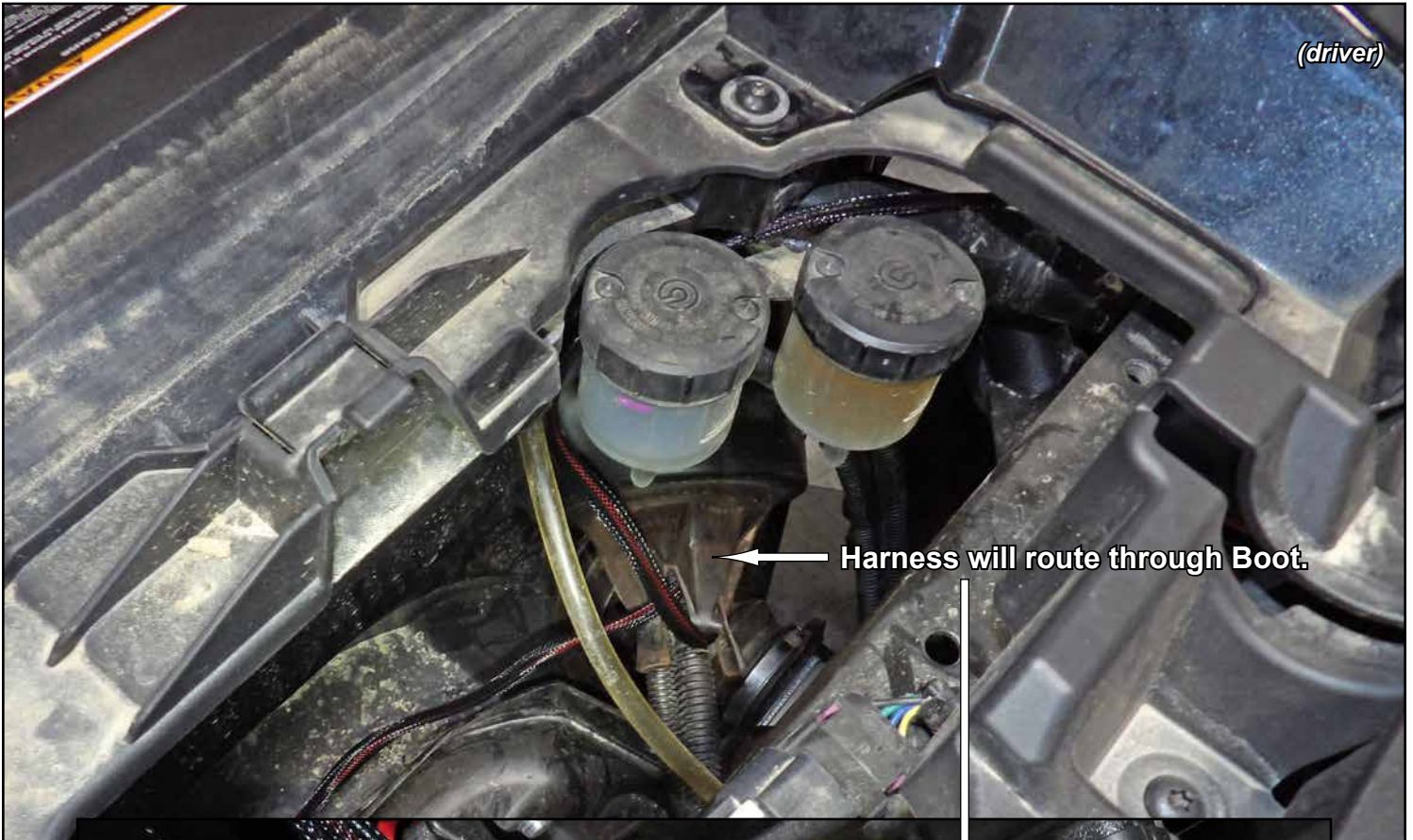


- Place Actuator wiring in location shown. Repeat for passenger side.





- See page 2 and route Harness.

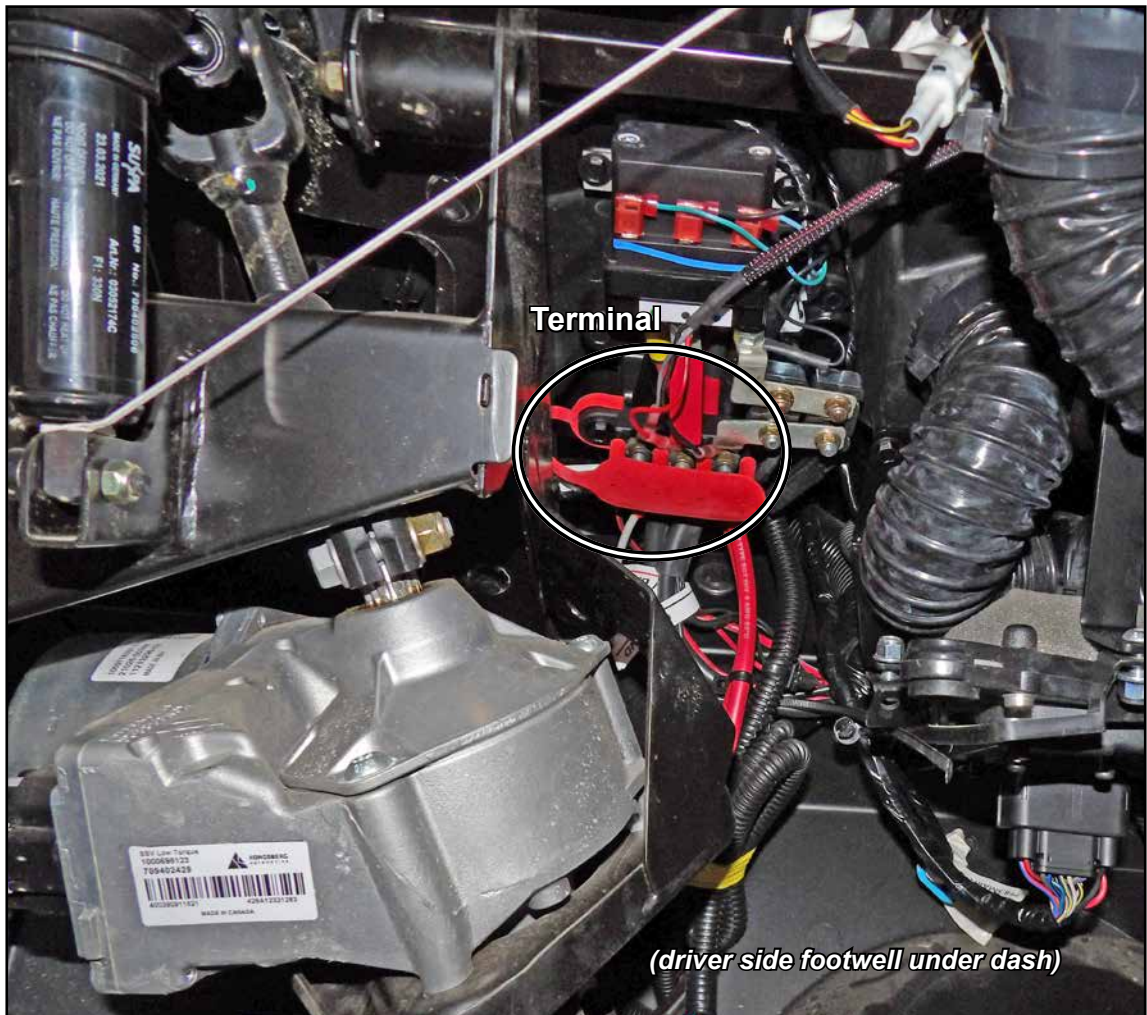




- Connect Actuators to Harnesses.



- RED wire from Harness to Terminal with thick red wire.
- BLACK wire from Harness to Terminal with thick black wire.



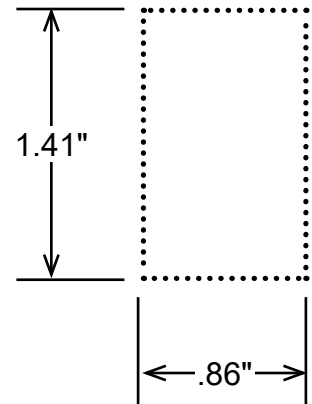
**Before drilling any holes, check behind area to be drilled for any interference.**

### **Switch Mounting:**

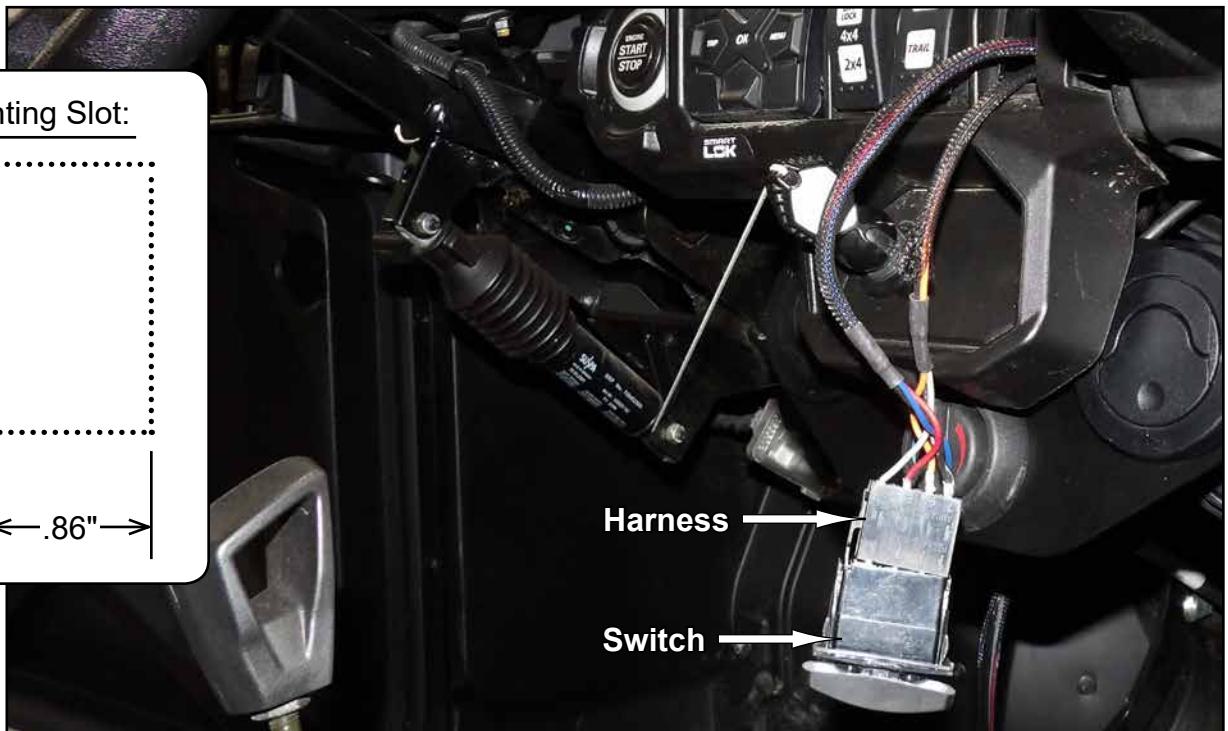
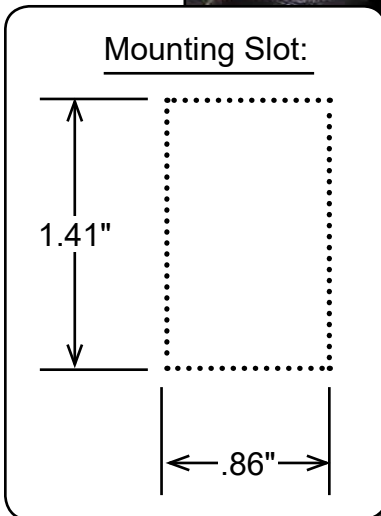
- User may install Switch in location different than shown.
- Verify that Harness will reach components before mounting.
- Remove stock Knockout or cut a new location.
- Connect wiring to Actuator wiring and 12V connection.
- Secure Switch.

**Before permanently mounting Switch, SuperATV recommends testing after all components have been installed.**

Mounting Slot:



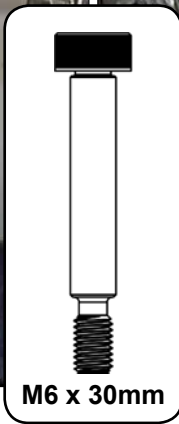
- Connect Harness and install Switch.







(driver)



M6 x 30mm



M5 Nut

- Secure Actuator (C) with hardware shown; tighten.
- Repeat for driver side.

- After opening and closing Windshield, Actuator Clamps may need fine tuning in order for Windshield to properly close. Move Clamps (J) assembly, as shown on page 6, in small increments up or down Cage.