

- Use provided Bit and drill a pilot hole when installing self-tapping screws.
- Keep hardware snug when securing components.
- Do not discard packaging until product has been successfully installed.
- Discard any remaining hardware.

**Liability Statement**

SuperATV's® products are designed to best fit user's ATV/UTV under stock conditions. Adding, modifying, or fabricating any factory or aftermarket parts will void any warranty provided by SuperATV® and is not recommended. SuperATV's® products could interfere with other aftermarket accessories. If user has aftermarket products on machine, contact SuperATV® to verify that they will work together.

Although SuperATV® has thousands of satisfied customers, user should be aware that installing lift kits, long travel, or suspension kits, tires, etc. will change the ride of machine and may increase maintenance and part wear. Operating any off-road machine while, or after, consuming alcohol and/or drugs increases risk of bodily harm or death. No warranty or representation is made as to this product's ability to protect user from severe injury or death. SuperATV® urges operators and occupants to wear a helmet and appropriate riding gear at all times.

By purchasing and installing SuperATV® products, user agrees that should damages occur, SuperATV® will not be held responsible for loss of time, use, labor fees, replacement parts, or freight charges. SuperATV®, nor any 3rd party, will not be held responsible for any direct, indirect, incidental, special, or consequential damages that result from any product purchased from SuperATV®. The total liability of seller to user for all damages, losses, and causes of action, if any, shall not exceed the total purchase price paid for the product that gave rise to the claim.

SuperATV® will warranty only parts provided by SuperATV®. Any damage or problems with OEM housings, bearings, seals, or other manufacturers' products will not be covered by SuperATV®. SuperATV® parts and products are not warranted if item was not installed properly, misused, or modified.

Installing, adding, modifying, or fabricating any factory or aftermarket product to your ATV/UTV may violate certain local, state, and federal laws. Be advised that laws vary depending on town, city, county, state, etc. Use of certain products on public streets, roads, or highways may be in violation law. The Buyer is solely and exclusively legally and personally responsible for any violation of the law by the installation or use of the product. You must abide by all local, state, and federal laws, including but not limited to vehicle safety, traffic laws, and ordinances. It is your responsibility to know the laws and how they apply to you.

The Buyer is responsible to fully understand the capability and limitations of his/her vehicle according to manufacturer specifications, warnings and instructions and agrees to hold SuperATV® harmless from any damage resulting from failure to adhere to such specifications, warnings and/ or instructions. The Buyer is also responsible to obey all applicable federal, state, and local laws and ordinances when operating his/her vehicle while using this product, and the Buyer agrees to hold SuperATV® harmless from any violation thereof.

**Need help with your installation?**



sales@superatv.com



www.superatv.com



1-855-743-3427



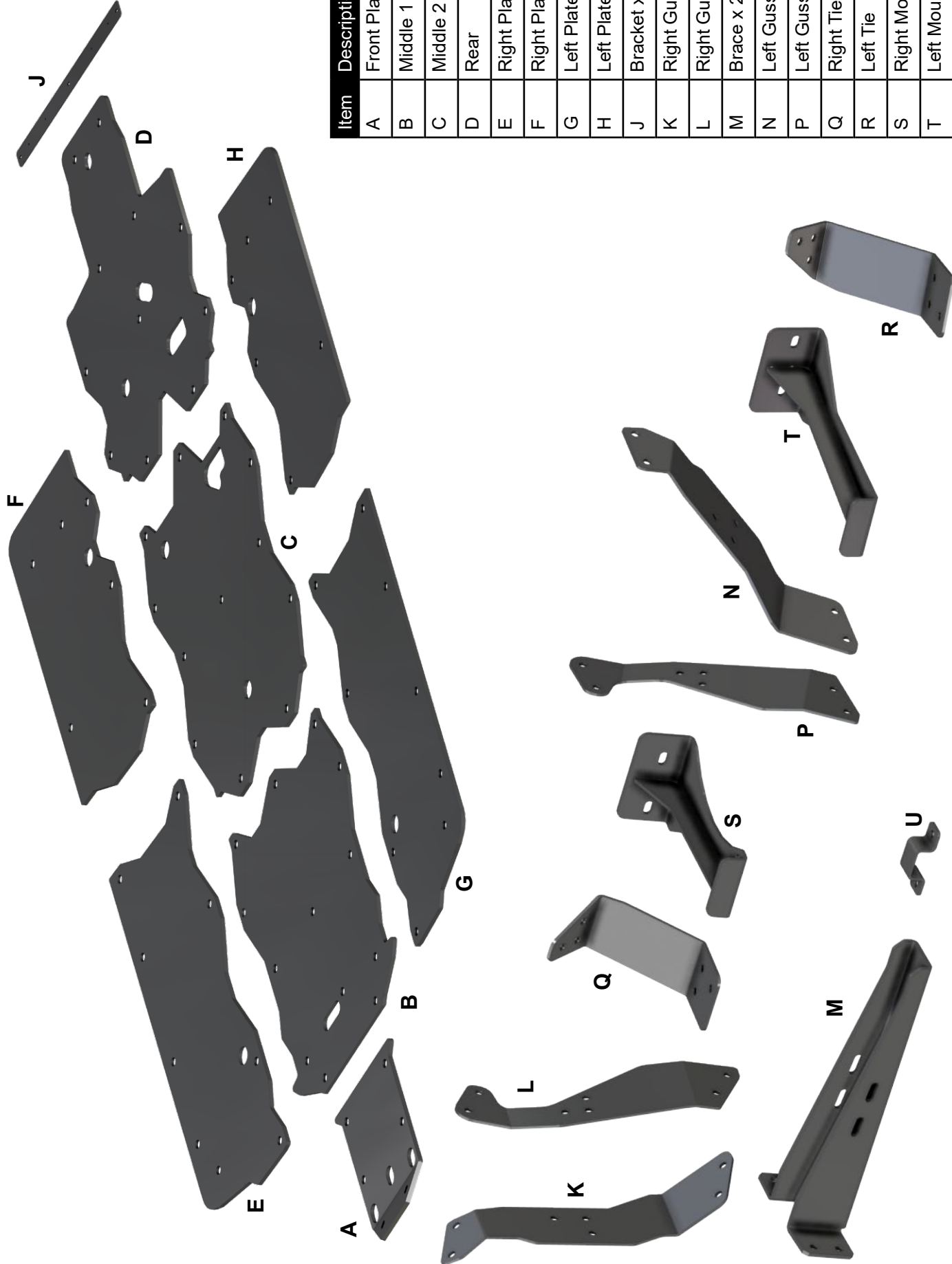
8:00am - 8:00pm EST M-Th  
8:00am - 7:00pm EST Friday  
9:00am - 2:00pm EST Saturday

**Read instructions and view illustrations before beginning.**

*Thank You*

*For Choosing*

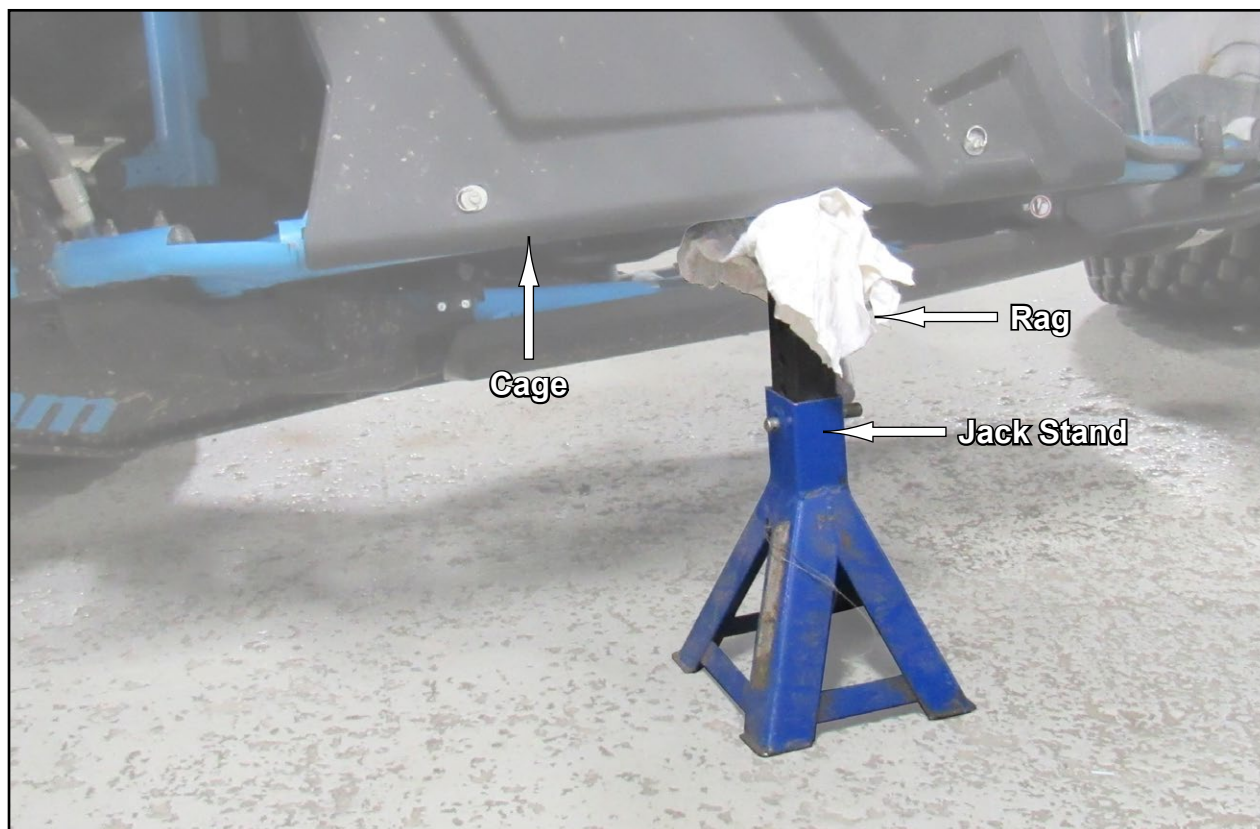
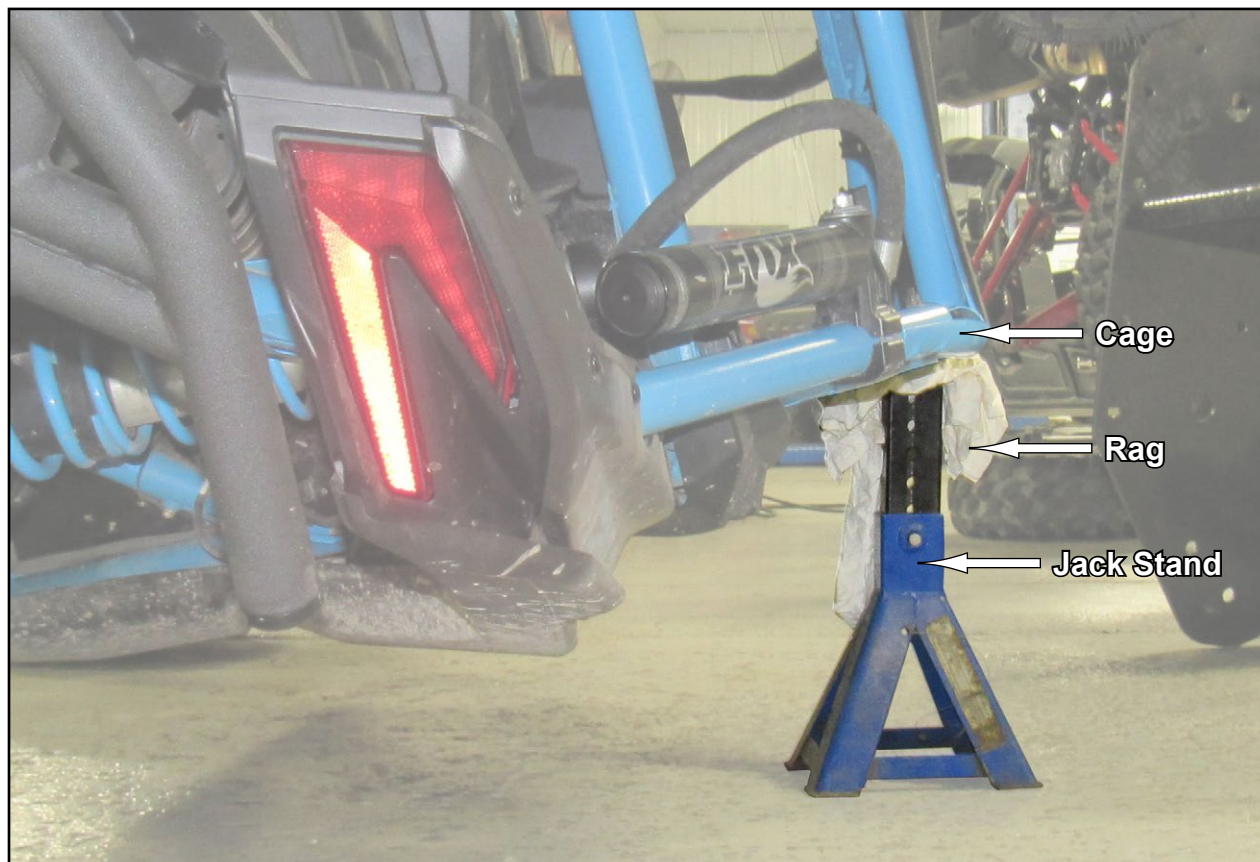




Item	Description
A	Front Plate
B	Middle 1
C	Middle 2
D	Rear
E	Right Plate 1
F	Right Plate 2
G	Left Plate 1
H	Left Plate 2
J	Bracket x 2
K	Right Gusset 1
L	Right Gusset 2
M	Brace x 2
N	Left Gusset 1
P	Left Gusset 2
Q	Right Tie
R	Left Tie
S	Right Mount
T	Left Mount
U	Clamp x 2

Vehicle Flip: *SuperATV's recommended installation method; use caution.*

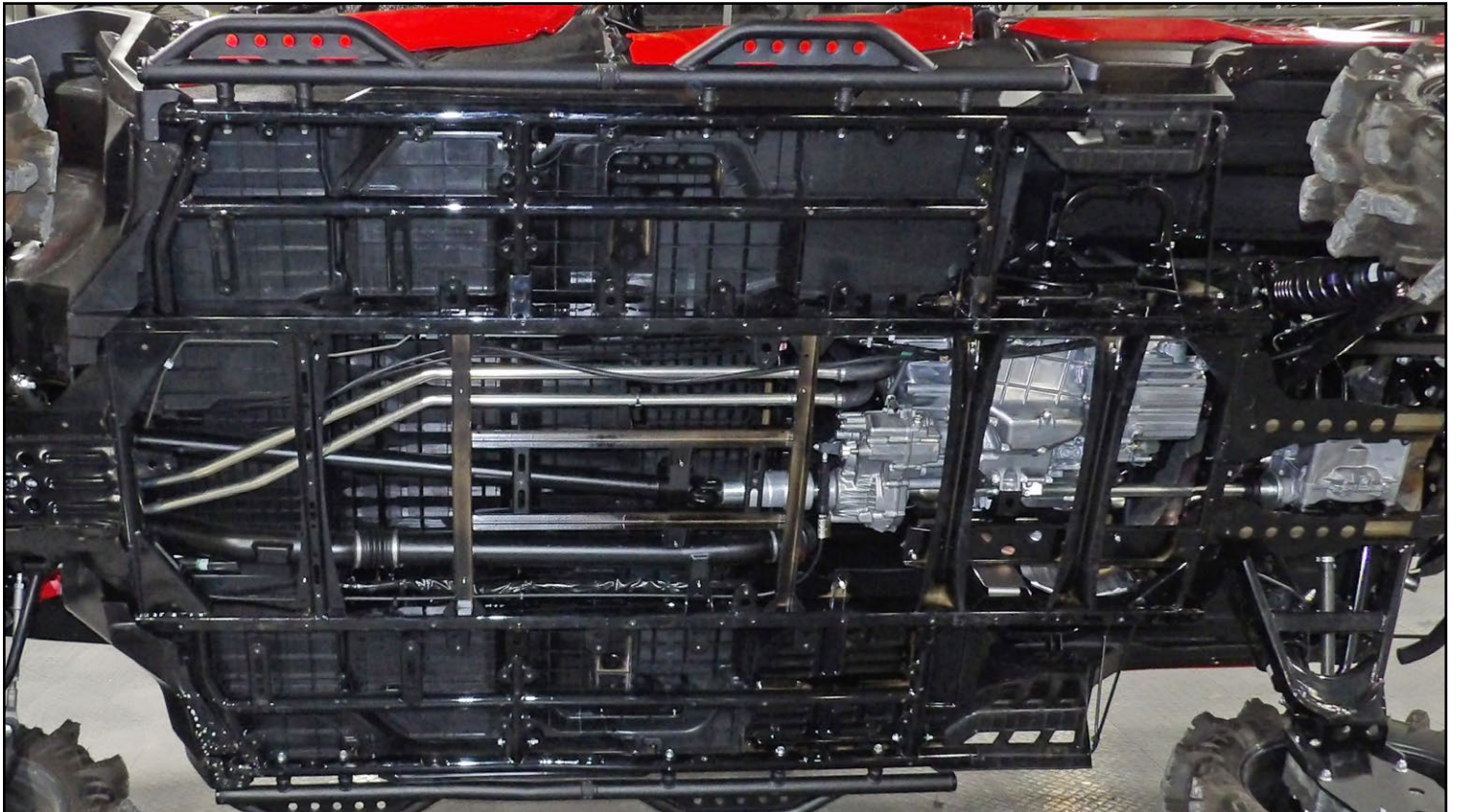
- To prevent scratching Cage, place a rag or other suitable material on Jack Stand.
- With helpers, slowly flip machine onto its side; have helpers on opposite side to guide machine onto Jack Stand.





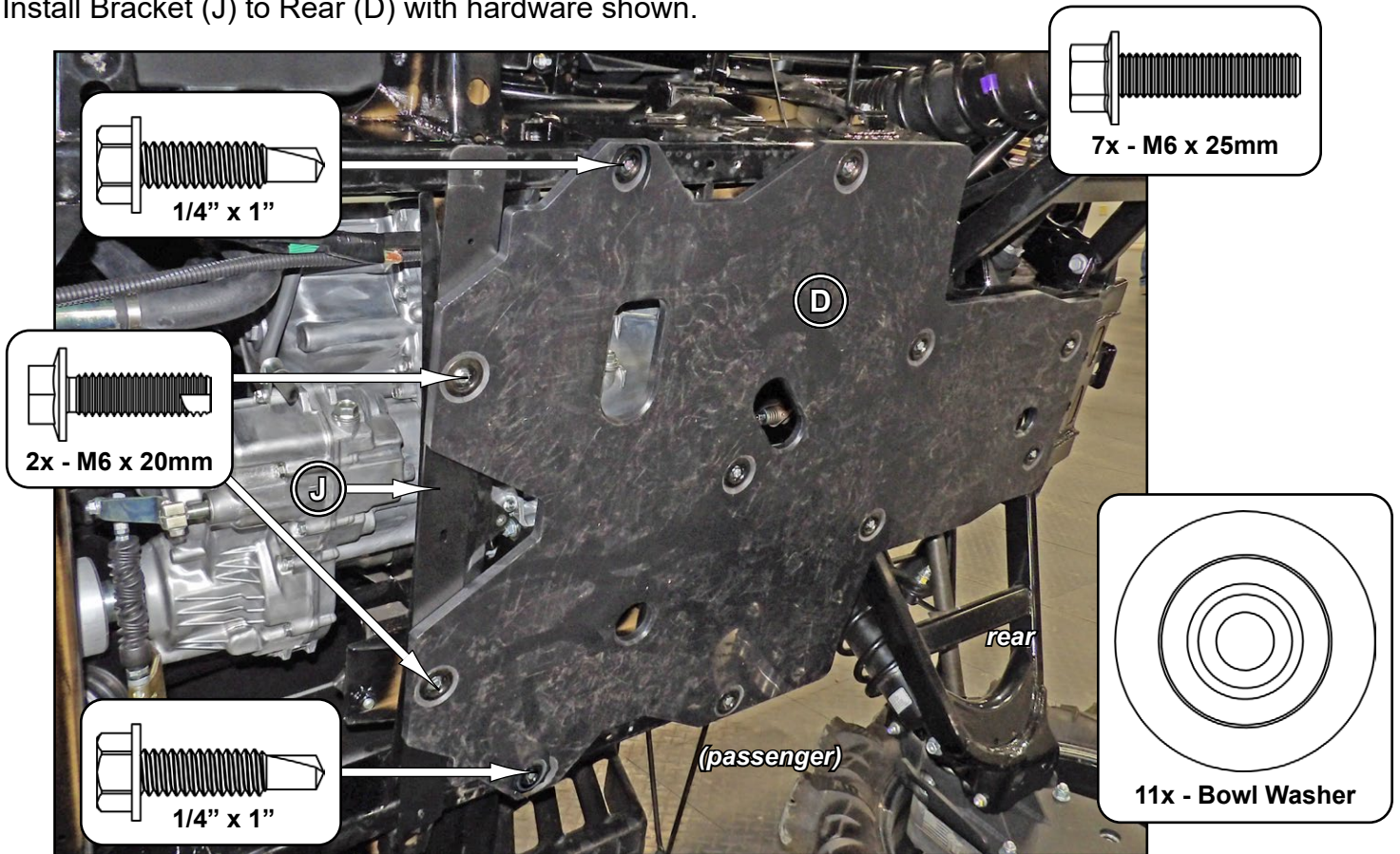


remove stock Skid Plates

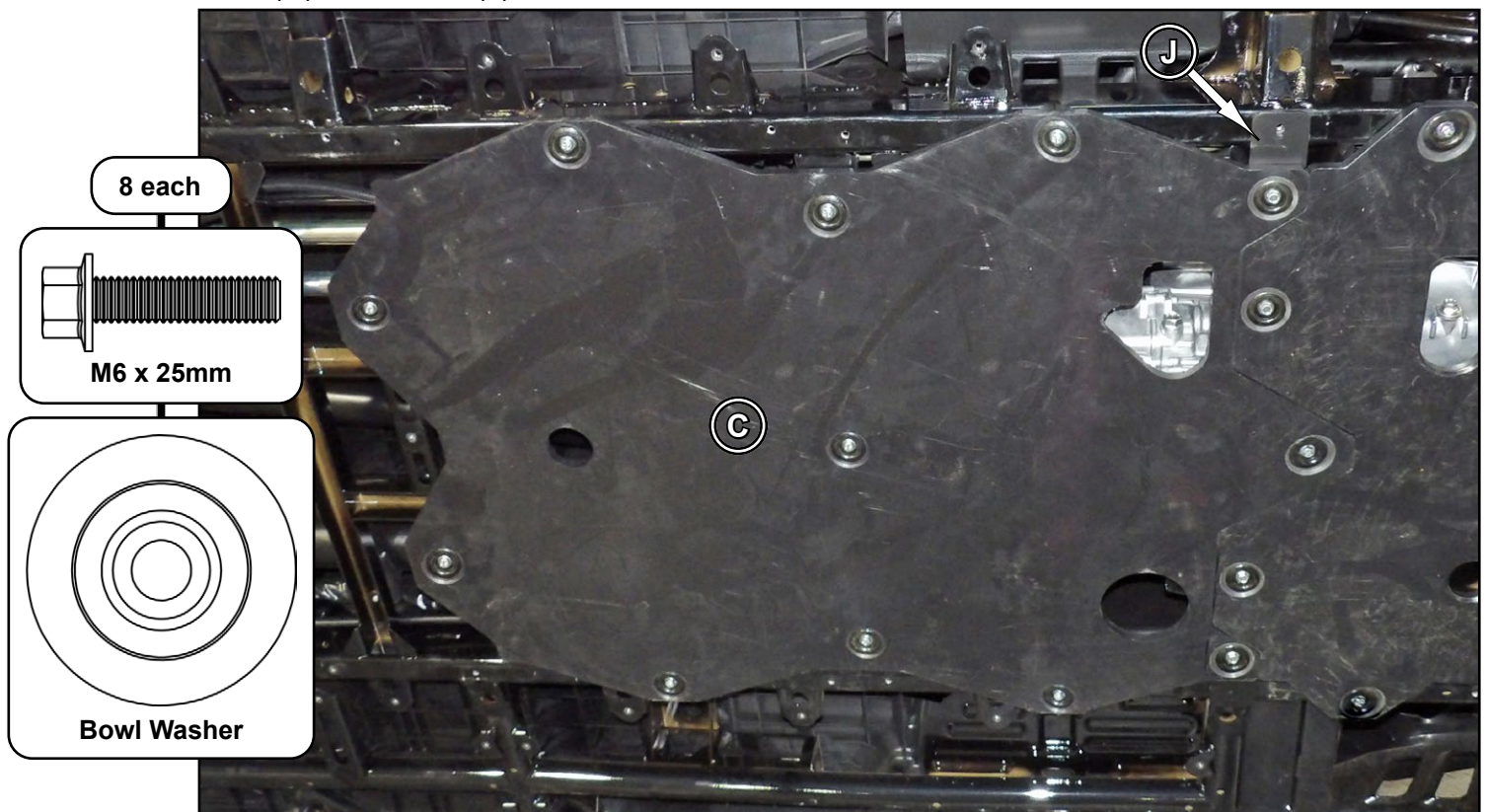




- Install Rear (D) with hardware shown.
- Install Bracket (J) to Rear (D) with hardware shown.

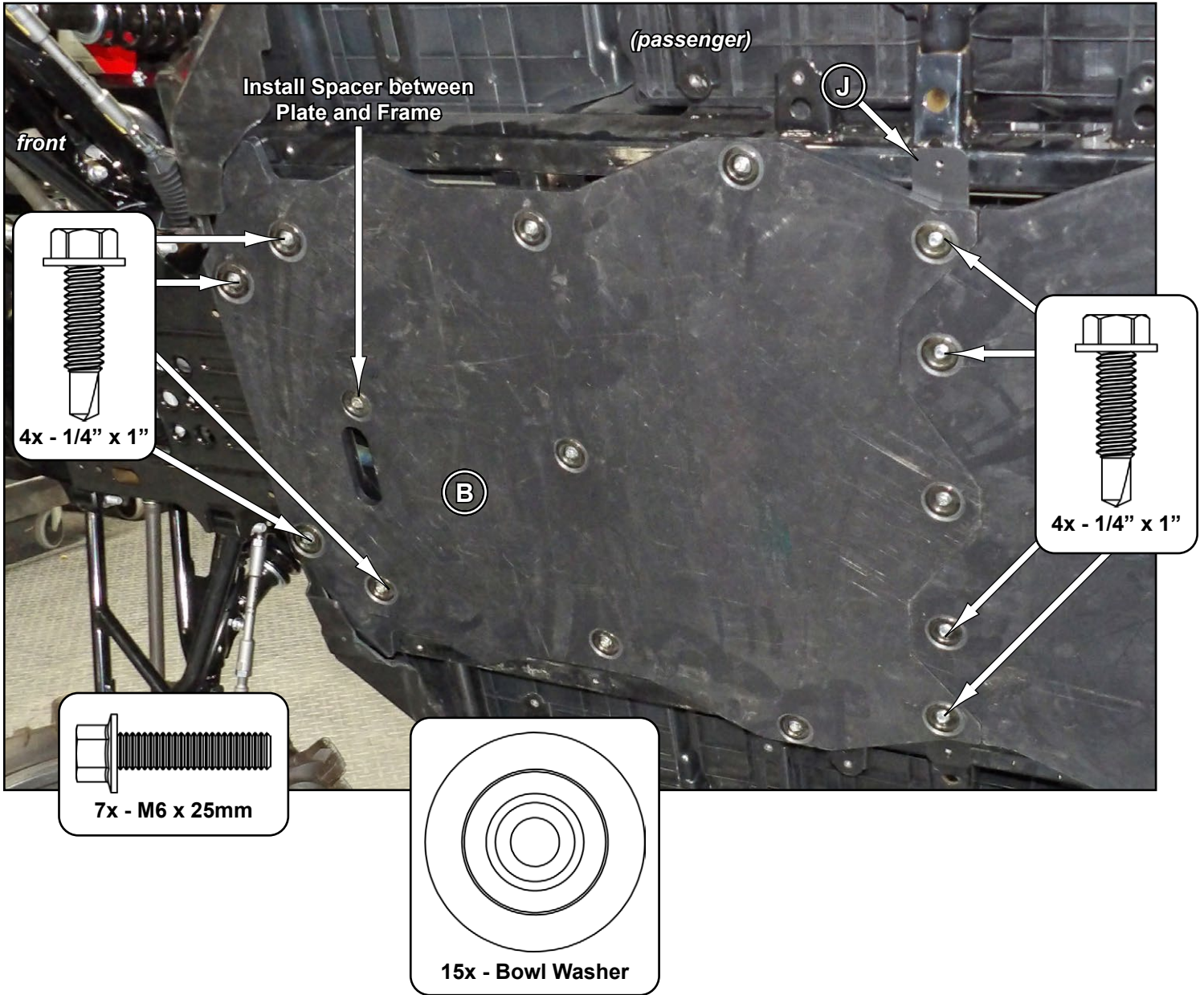


- Install Middle 2 (C) with hardware shown.
- Secure Middle 2 (C) to Bracket (J) with hardware shown.

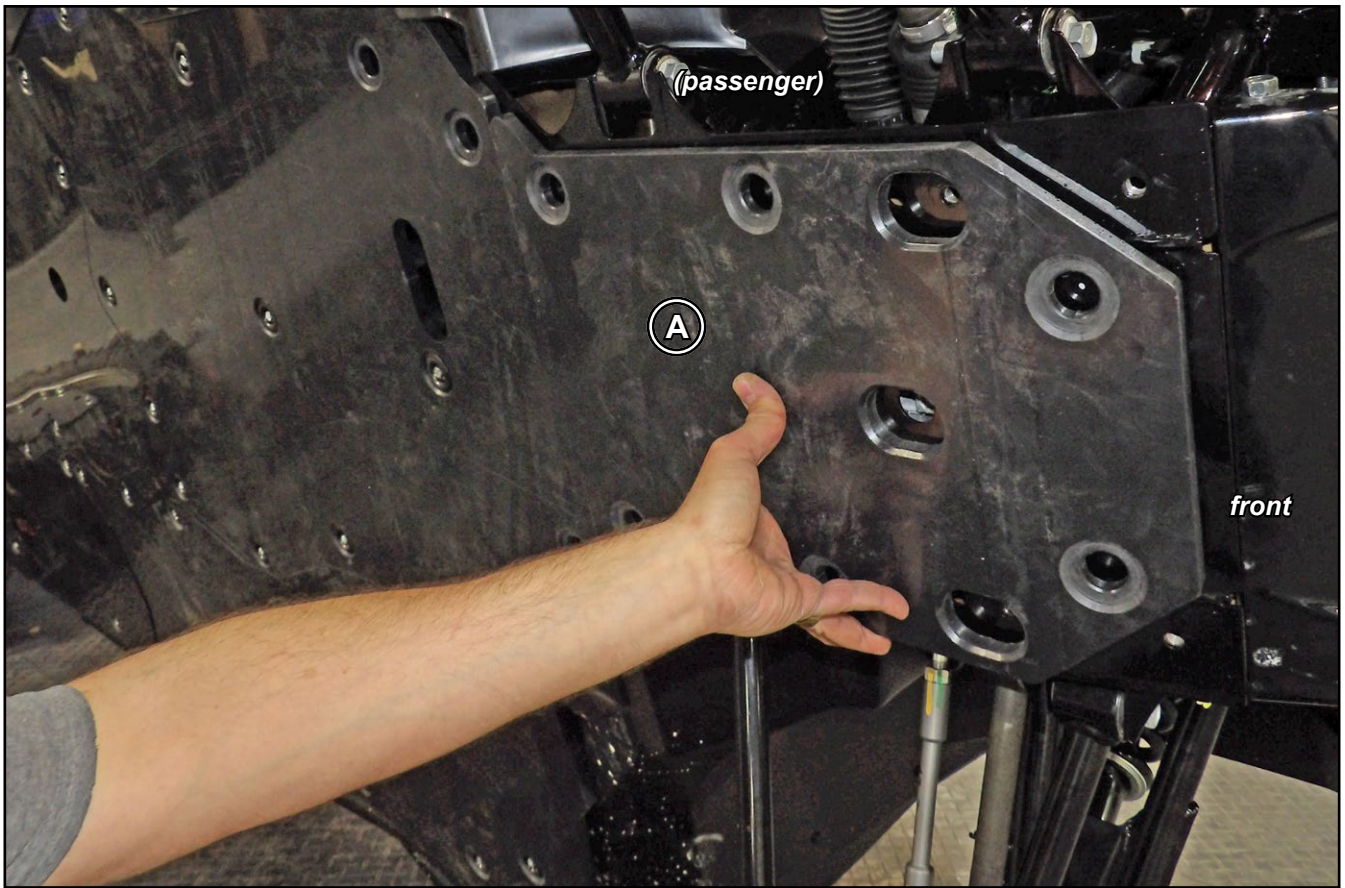




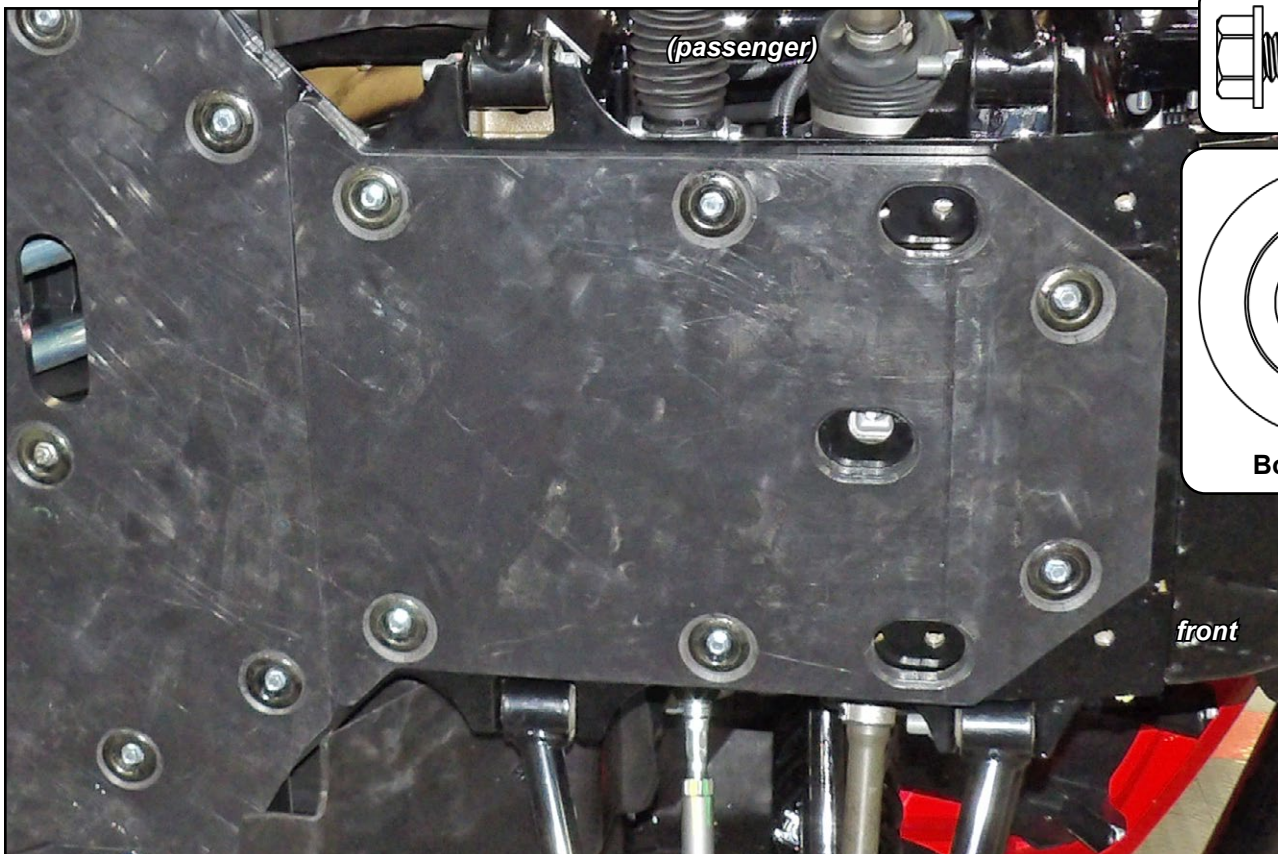
- Install Middle 1 (B) and Bracket (J) with hardware shown.



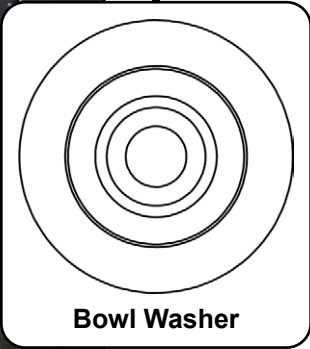
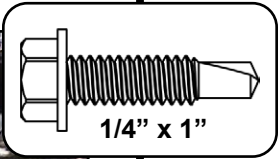




- Place Front Plate (A) in position shown and mark hole locations onto machine.
- Use provided  $\text{Ø}5.5\text{mm}$  drill bit and drill through Frame.
- Secure Front Plate (A) with hardware shown.

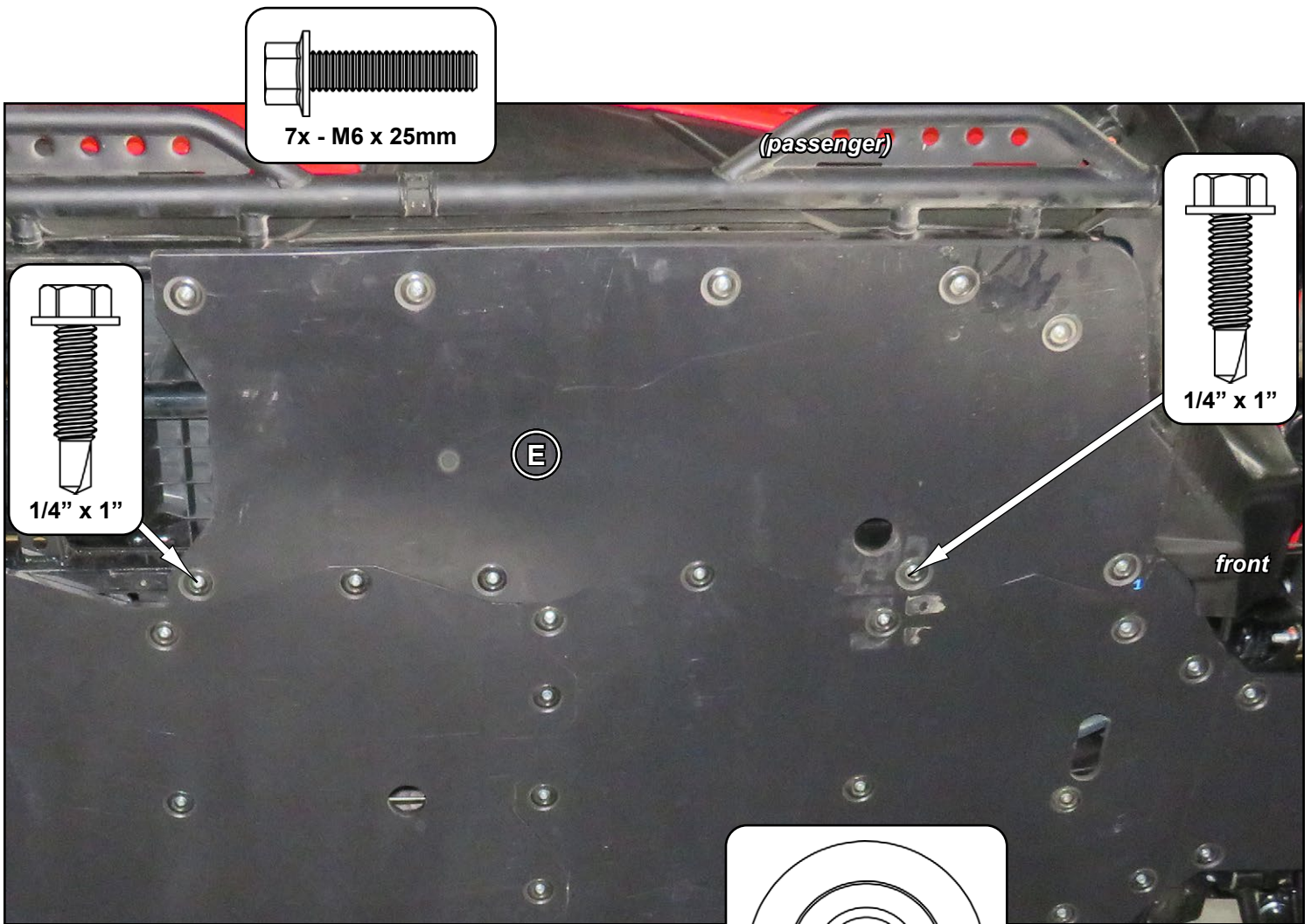


6 each

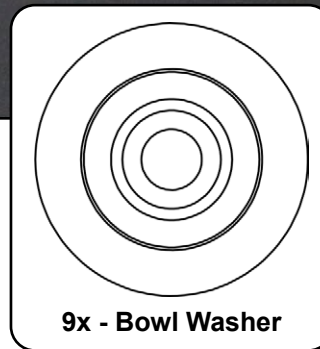




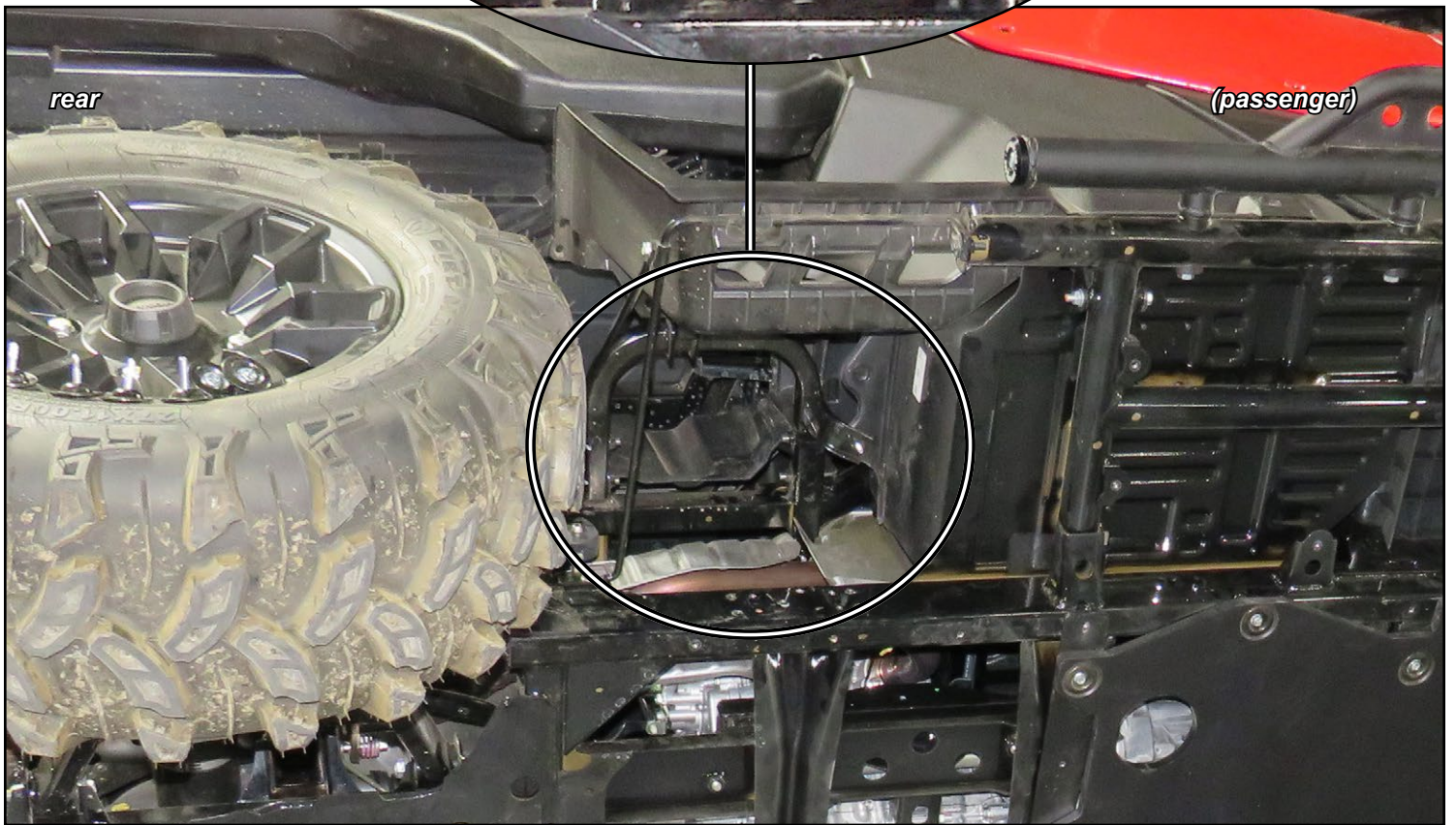
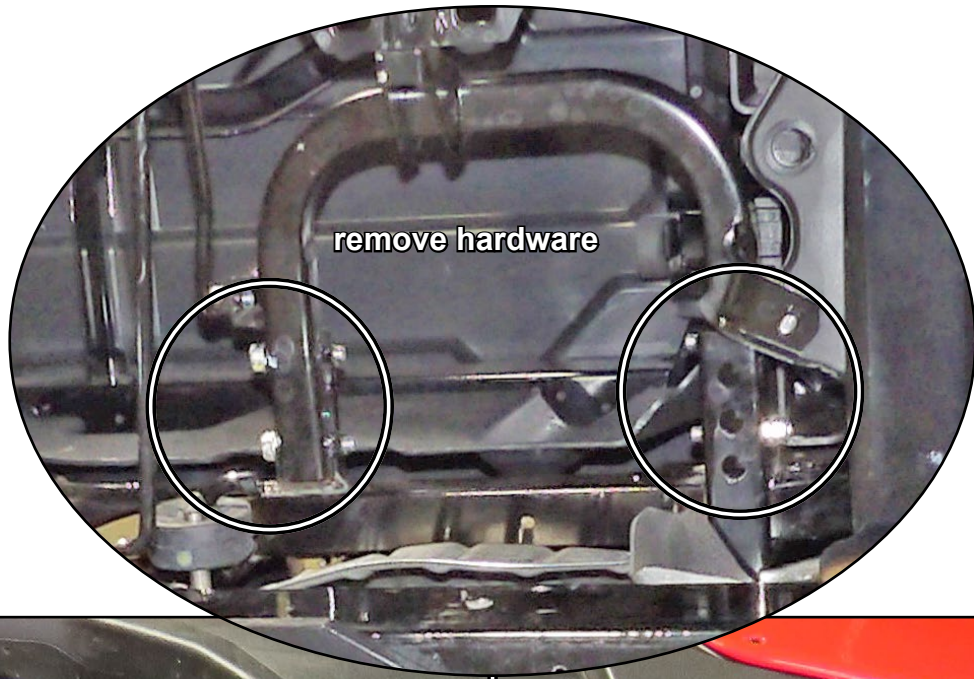
- Install Right Plate 1 (E) with hardware shown.



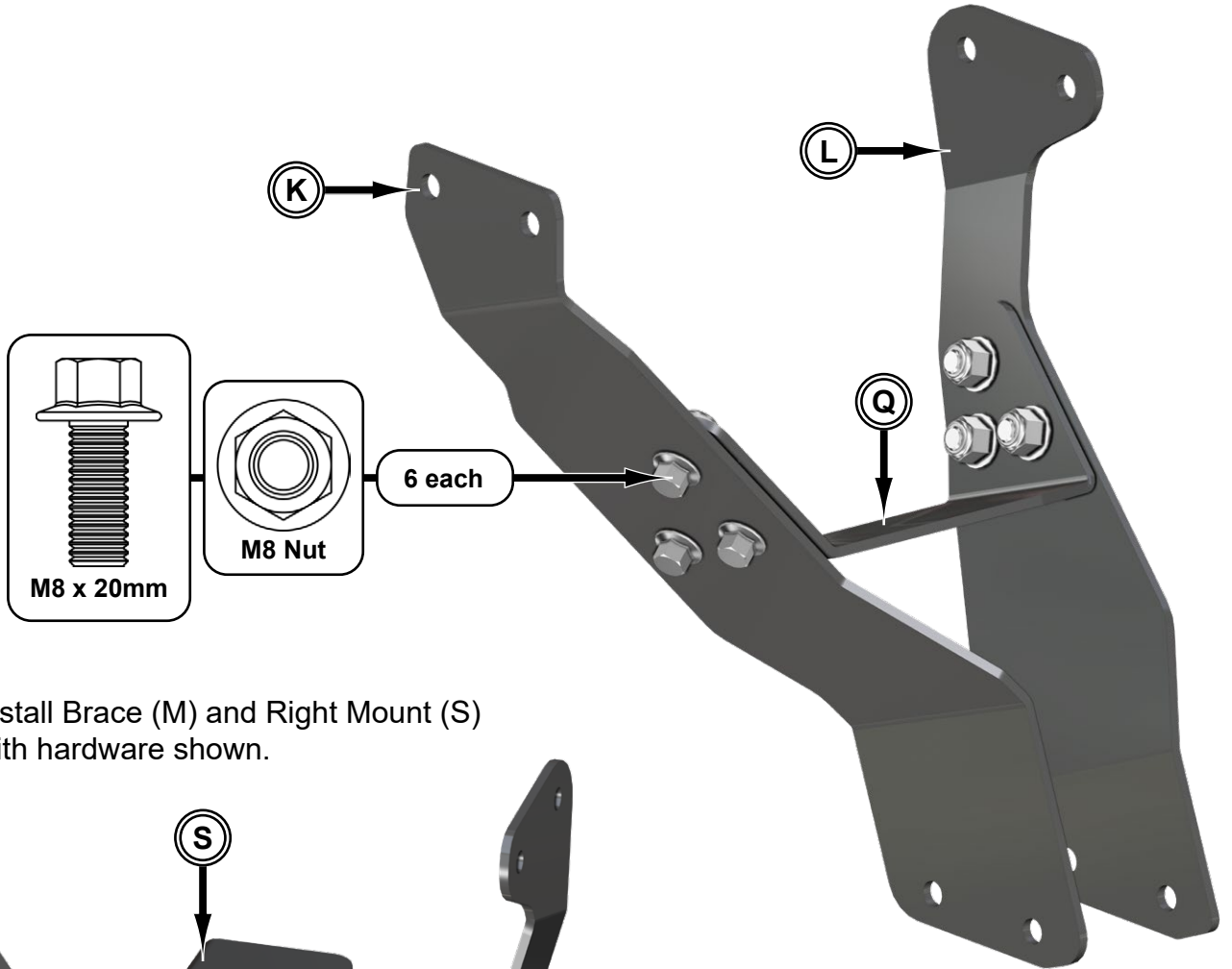
- Repeat for Left Plate 1 (G).



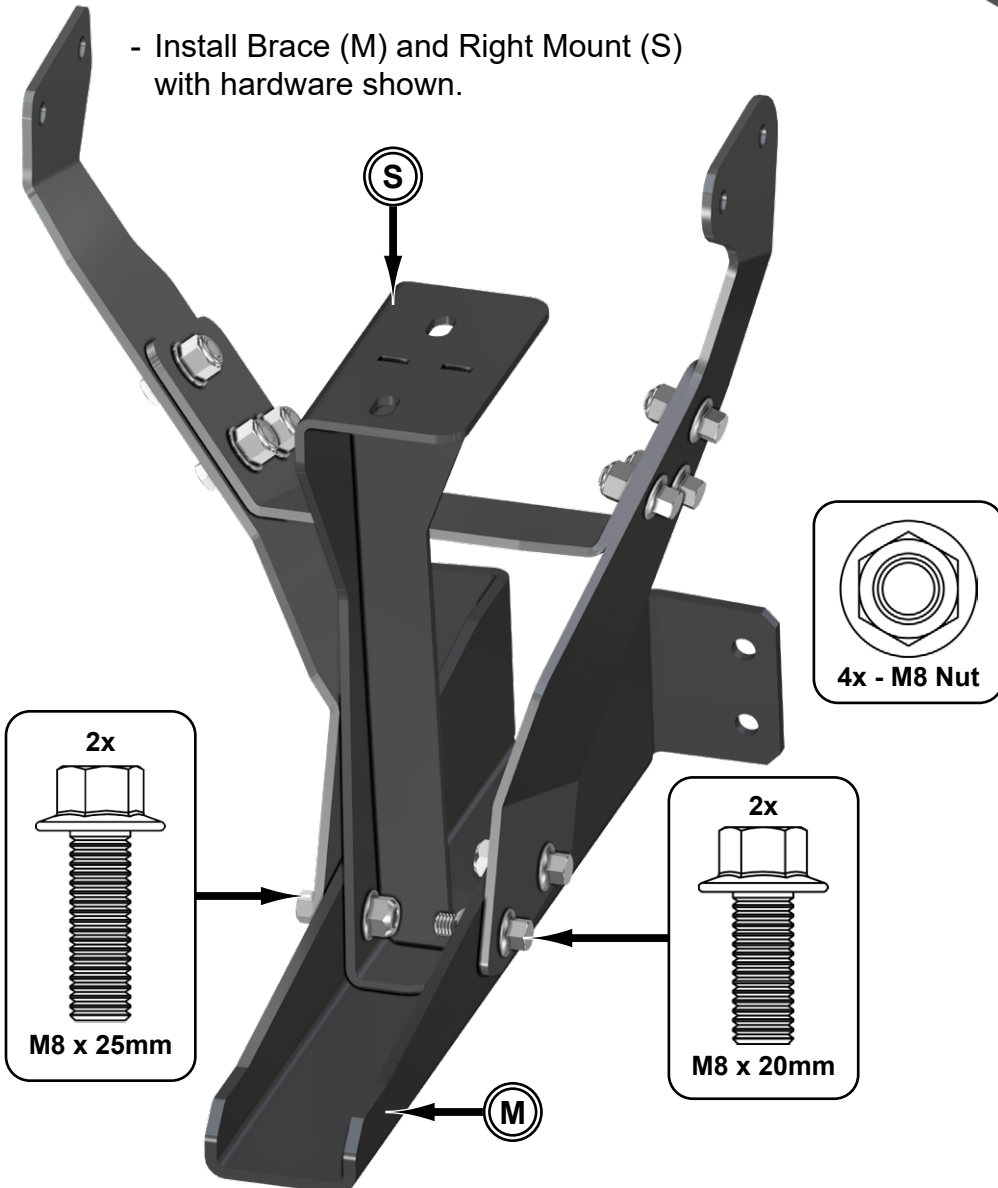




- Install Right Tie (Q) to Right Gusset 1 (K) and Right Gusset 2 (L) with hardware shown.

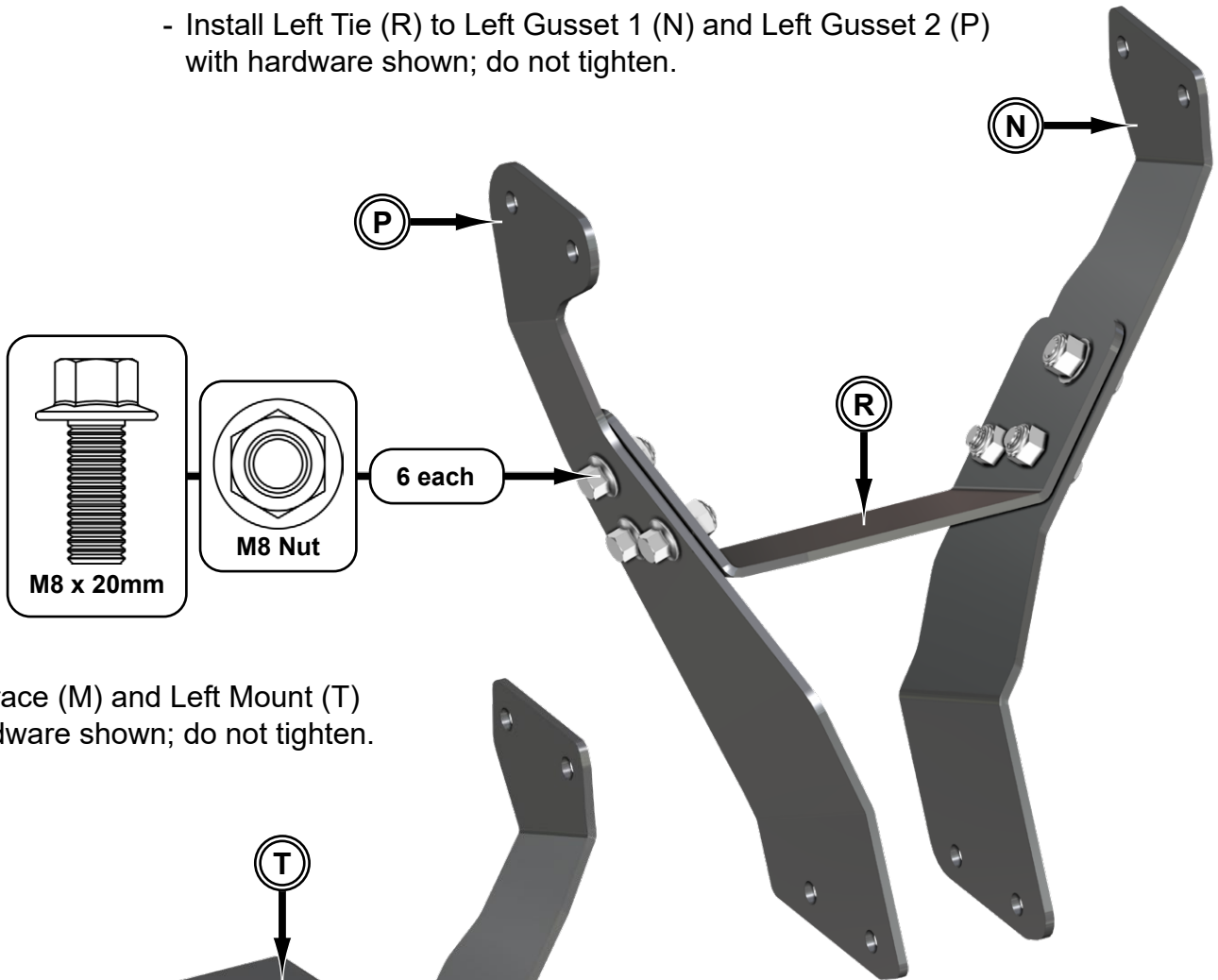


- Install Brace (M) and Right Mount (S) with hardware shown.

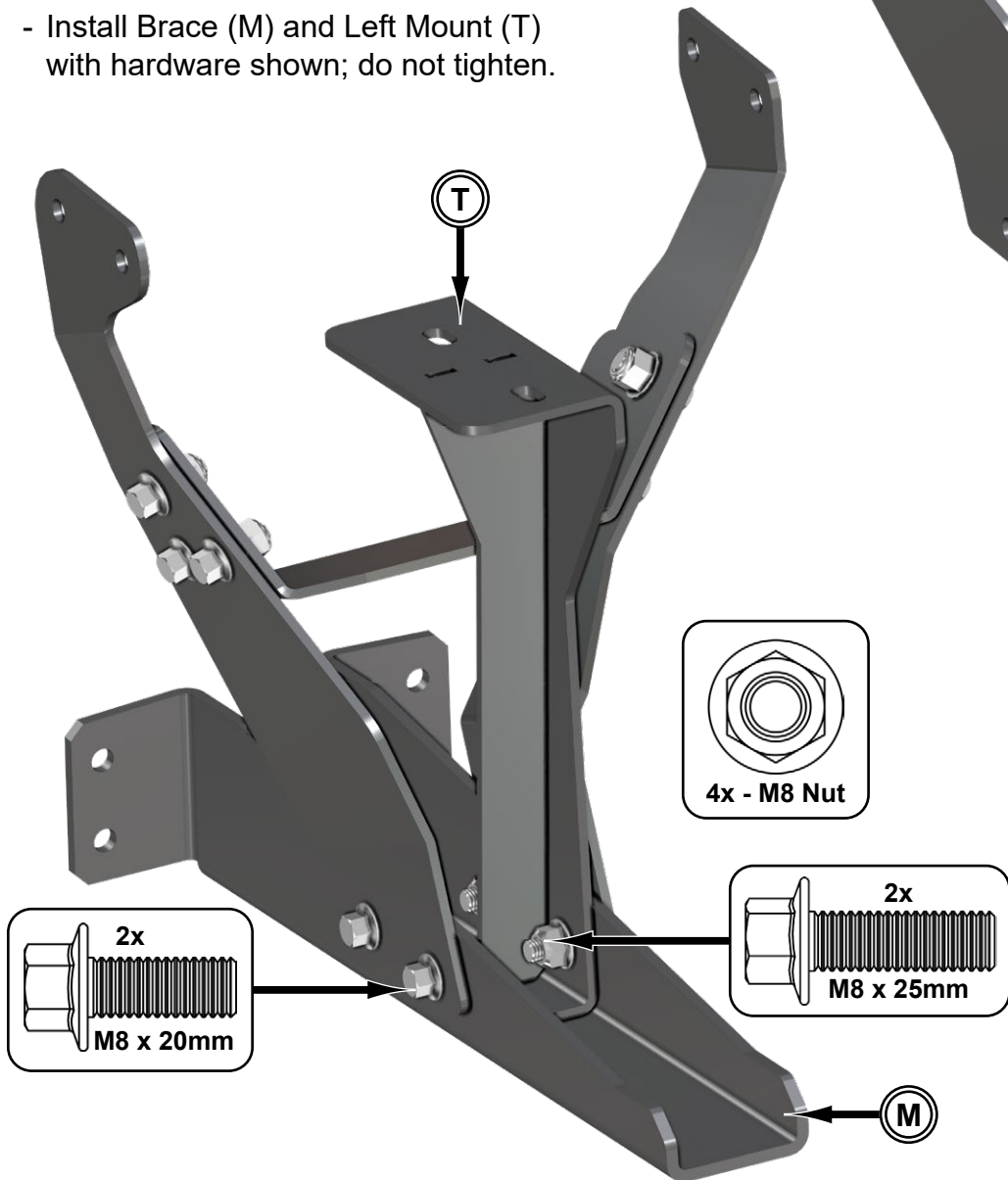




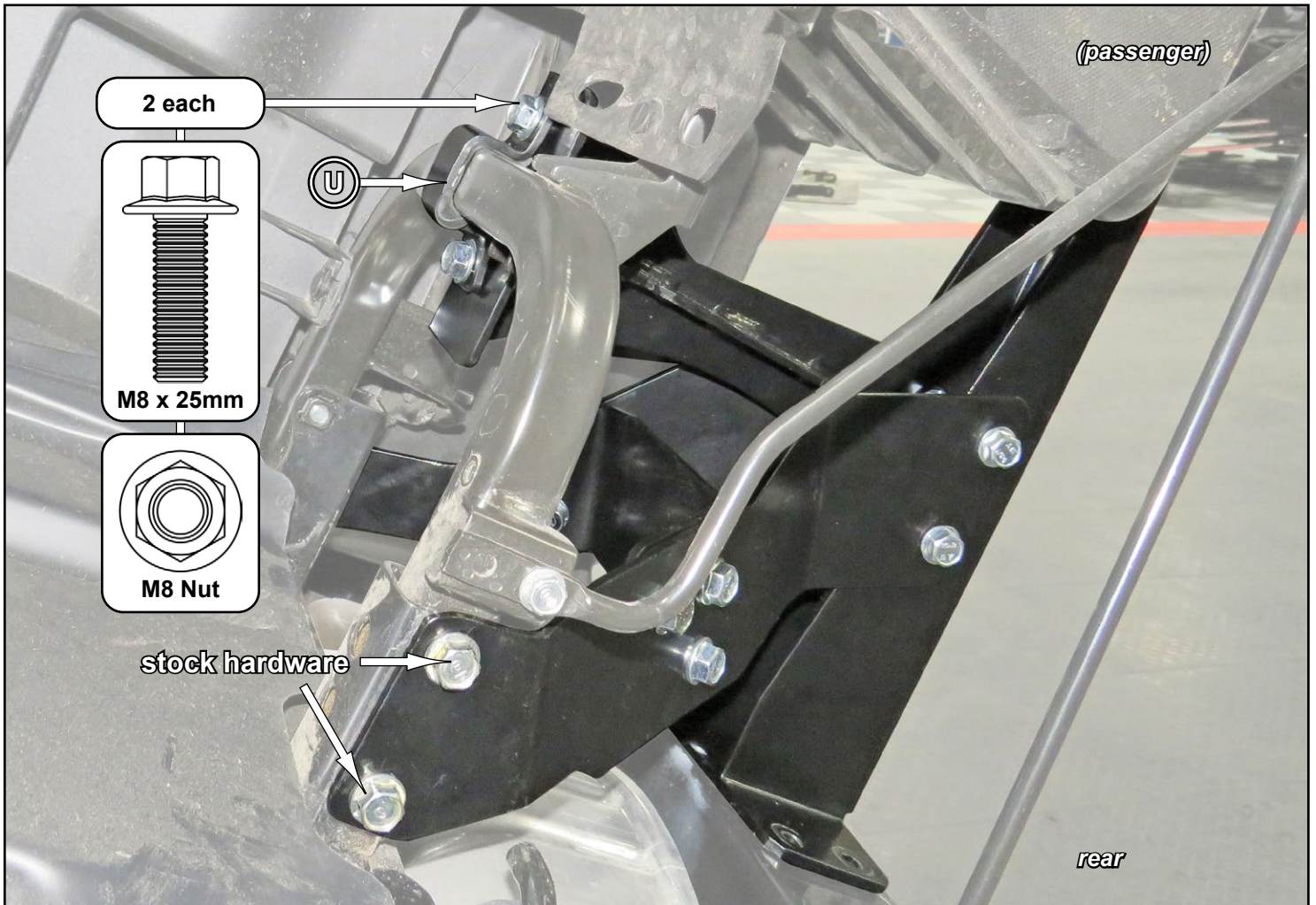
- Install Left Tie (R) to Left Gusset 1 (N) and Left Gusset 2 (P) with hardware shown; do not tighten.



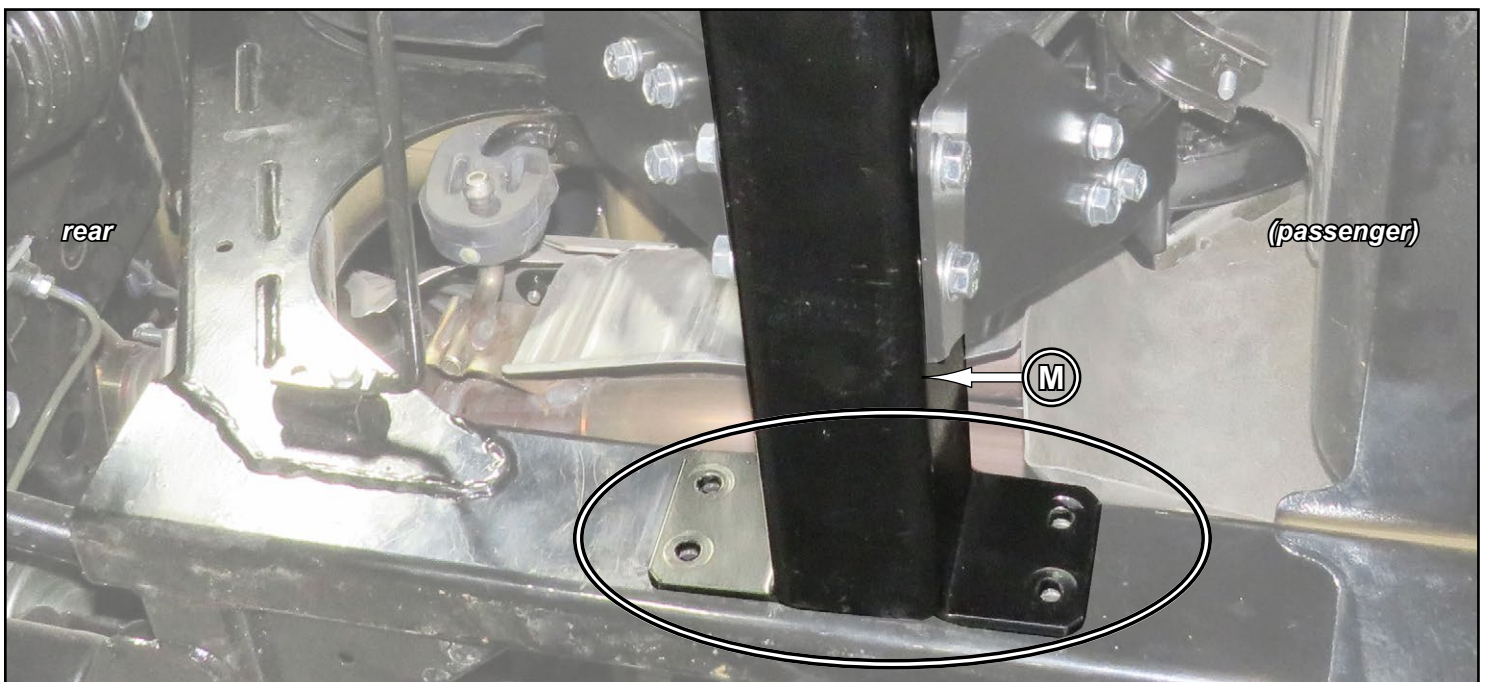
- Install Brace (M) and Left Mount (T) with hardware shown; do not tighten.



- Secure Right Gusset assembly to machine with stock hardware; tighten.
- Tighten remaining assembly hardware.

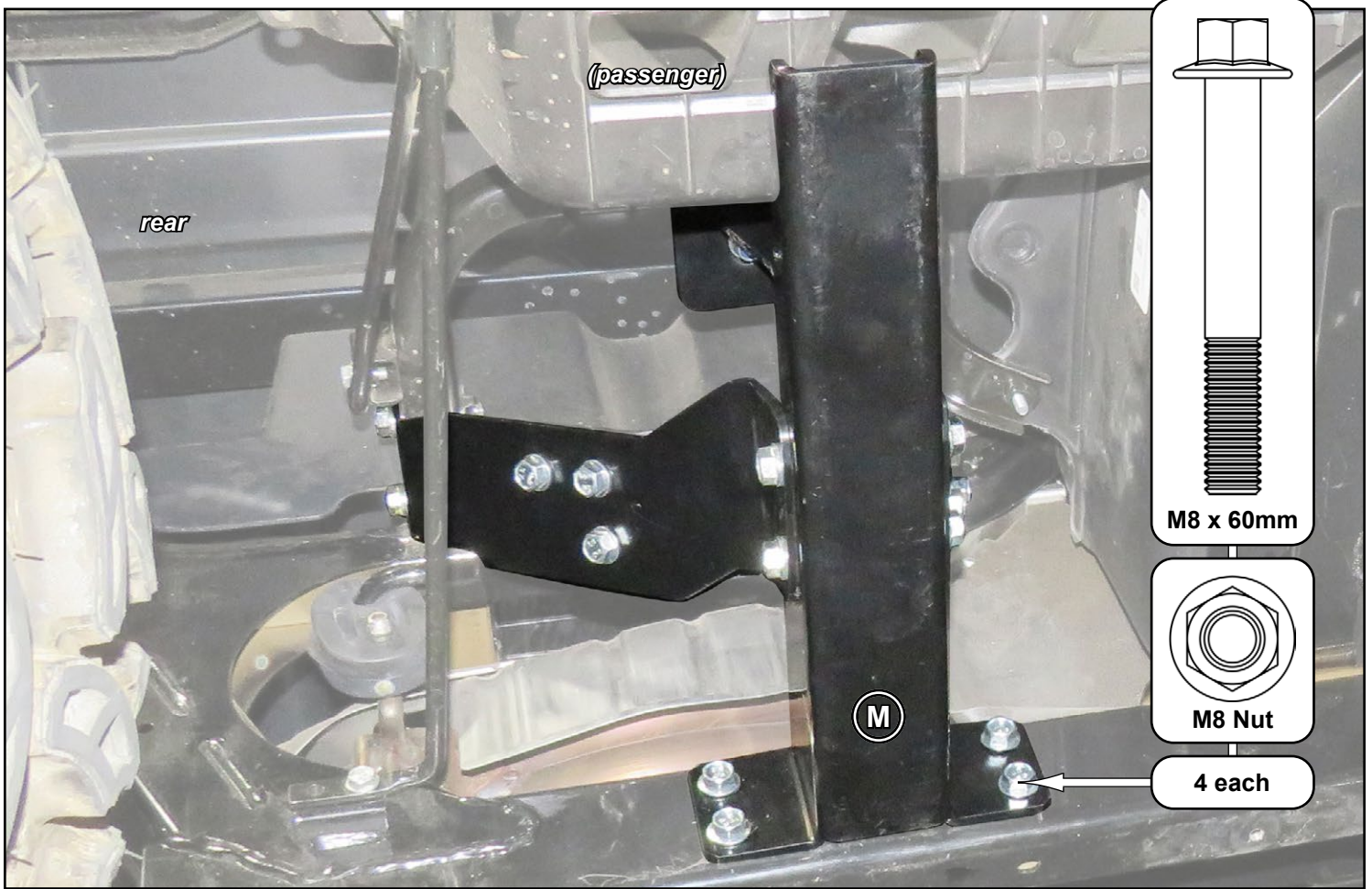


- Mark Brace (M) hole locations onto Frame.
  - Use provided  $\text{\O}3/8$ " Bit and drill through Frame.
- If Drill is too large, Brace (M) will need to be removed. Reinstall after drilling is complete.*



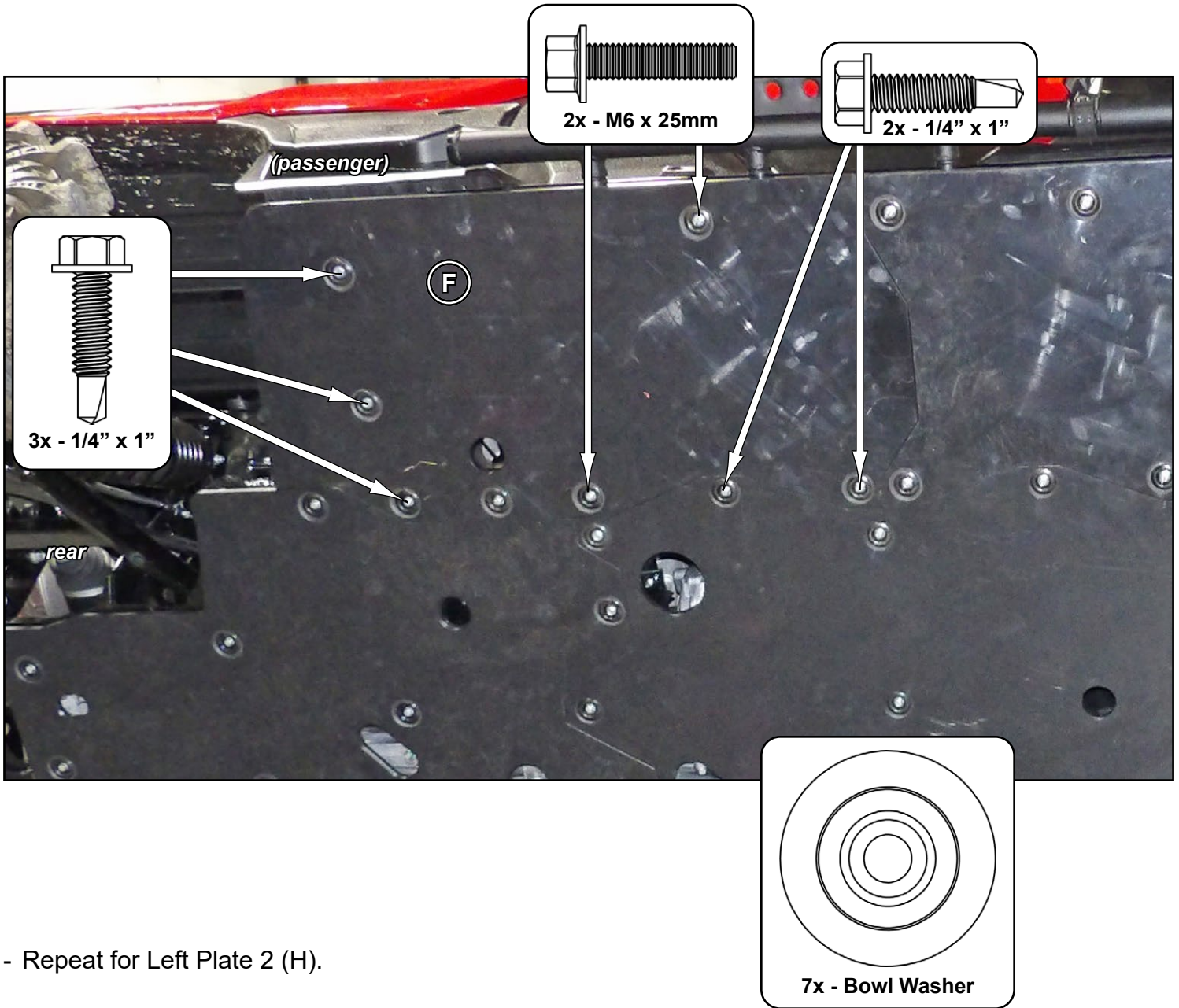


- Brace (M) to Frame with hardware shown; tighten.



- Repeat steps for Left Gusset assembly installation.

- Install Right Plate 2 (F) with hardware shown.



- Repeat for Left Plate 2 (H).

Tighten all hardware.