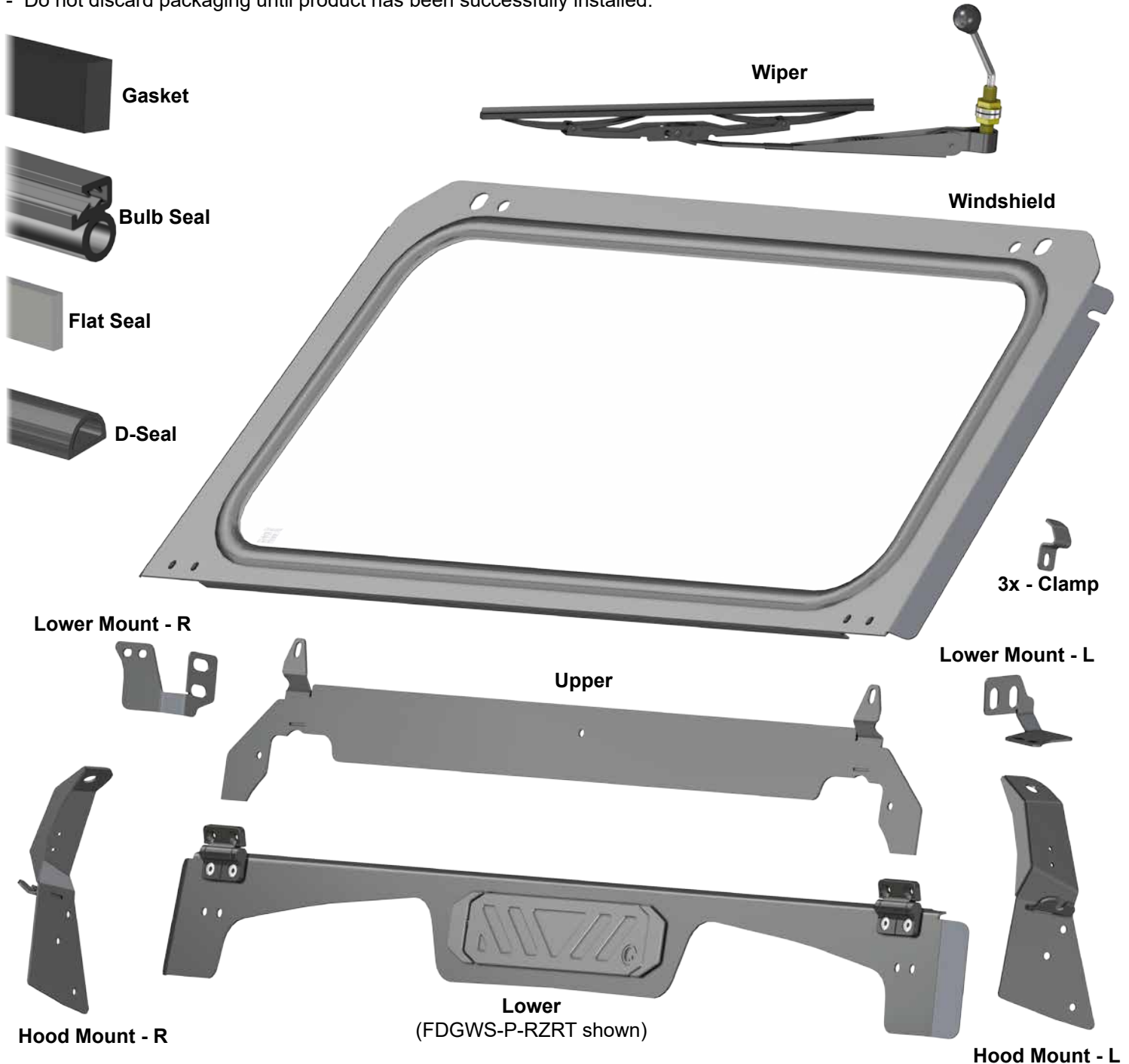


INSTALLATION INSTRUCTIONS

Fold Down Glass Windshield: for multiple Polaris RZR XP® models

- SuperATV does not recommend keeping Windshield installed while transporting on an open air trailer. Remove or secure with straps.
- Do not discard packaging until product has been successfully installed.



Need help with your installation?



sales@superatv.com



www.superatv.com



1-855-743-3427



8:00am - 8:00pm EST M-Th
8:00am - 7:00pm EST Friday
9:00am - 2:00pm EST Saturday

Read instructions and view illustrations before beginning.

*Thank You
For Choosing*

SUPERATV.COM

Liability Statement

SuperATV's® products are designed to best fit user's ATV/UTV under stock conditions. Adding, modifying, or fabricating any factory or aftermarket parts will void any warranty provided by SuperATV® and is not recommended. SuperATV's® products could interfere with other aftermarket accessories. If user has aftermarket products on machine, contact SuperATV® to verify that they will work together.

Although SuperATV® has thousands of satisfied customers, user should be aware that installing lift kits, long travel, or suspension kits, tires, etc. will change the ride of machine and may increase maintenance and part wear. Operating any off-road machine while, or after, consuming alcohol and/or drugs increases risk of bodily harm or death. No warranty or representation is made as to this product's ability to protect user from severe injury or death. SuperATV® urges operators and occupants to wear a helmet and appropriate riding gear at all times.

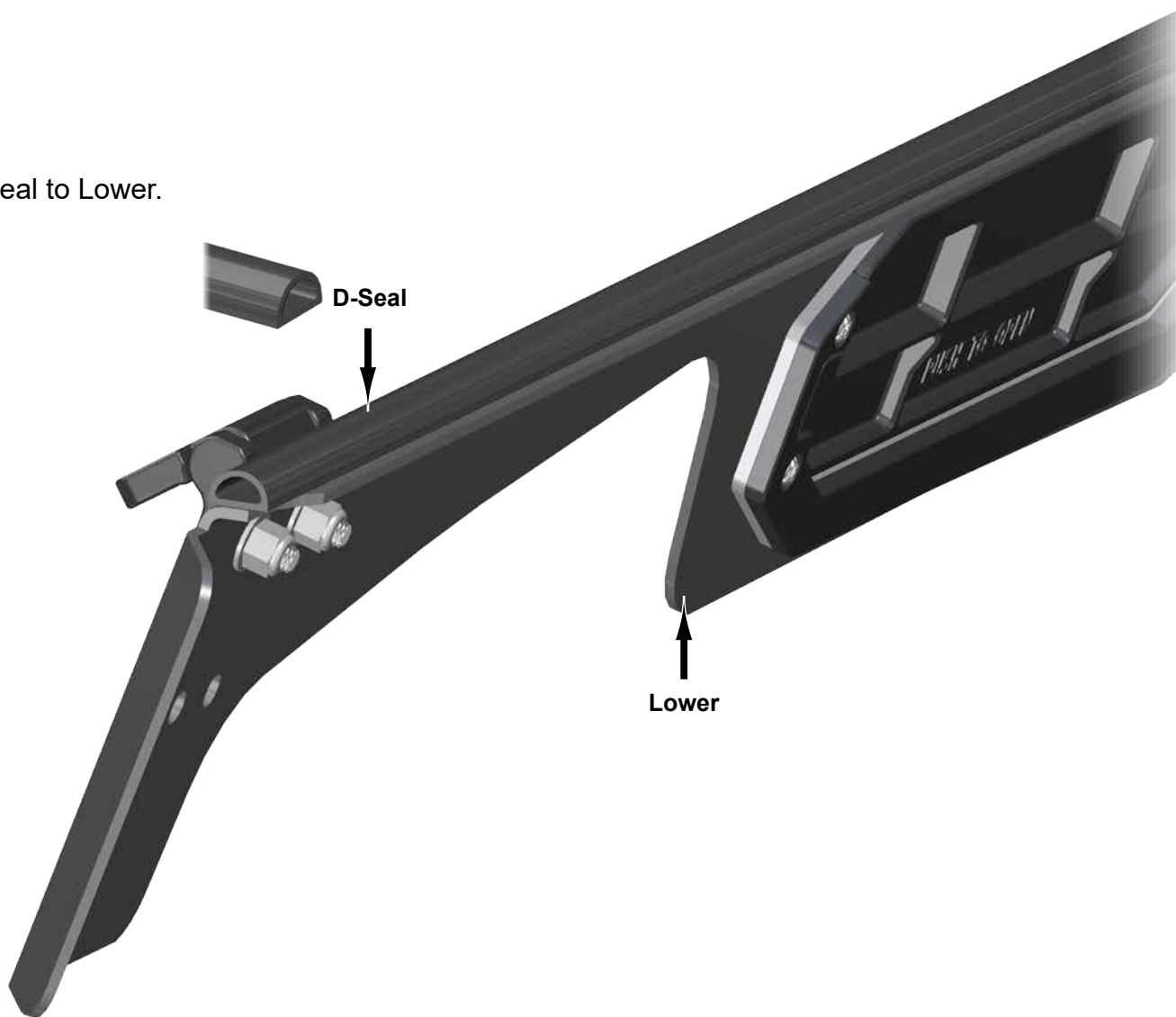
By purchasing and installing SuperATV® products, user agrees that should damages occur, SuperATV® will not be held responsible for loss of time, use, labor fees, replacement parts, or freight charges. SuperATV®, nor any 3rd party, will not be held responsible for any direct, indirect, incidental, special, or consequential damages that result from any product purchased from SuperATV®. The total liability of seller to user for all damages, losses, and causes of action, if any, shall not exceed the total purchase price paid for the product that gave rise to the claim.

SuperATV® will warranty only parts provided by SuperATV®. Any damage or problems with OEM housings, bearings, seals, or other manufacturers' products will not be covered by SuperATV®. SuperATV® parts and products are not warranted if item was not installed properly, misused, or modified.

Installing, adding, modifying, or fabricating any factory or aftermarket product to your ATV/UTV may violate certain local, state, and federal laws. Be advised that laws vary depending on town, city, county, state, etc. Use of certain products on public streets, roads, or highways may be in violation law. The Buyer is solely and exclusively legally and personally responsible for any violation of the law by the installation or use of the product. You must abide by all local, state, and federal laws, including but not limited to vehicle safety, traffic laws, and ordinances. It is your responsibility to know the laws and how they apply to you.

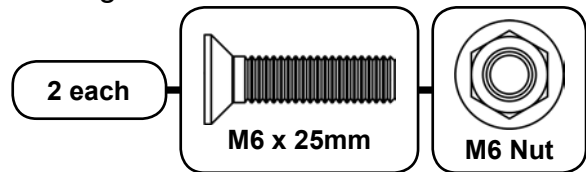
The Buyer is responsible to fully understand the capability and limitations of his/her vehicle according to manufacturer specifications, warnings and instructions and agrees to hold SuperATV® harmless from any damage resulting from failure to adhere to such specifications, warnings and/ or instructions. The Buyer is also responsible to obey all applicable federal, state, and local laws and ordinances when operating his/her vehicle while using this product, and the Buyer agrees to hold SuperATV® harmless from any violation thereof.

- Install D-Seal to Lower.





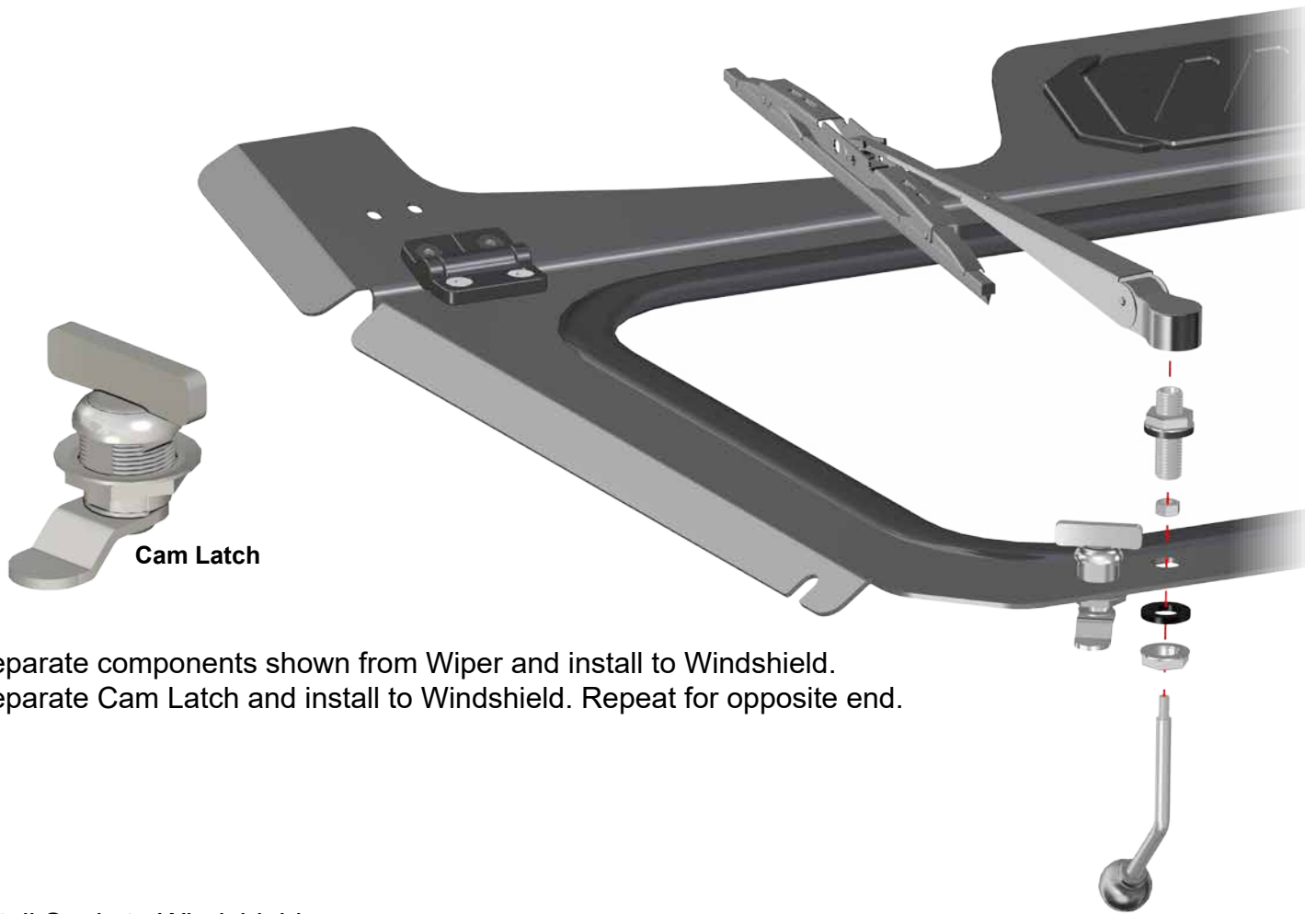
Install Lower to Windshield with hardware shown; do not tighten.



Soak Seal in hot water before cutting or installing to increase flexibility.

Install Bulb Seal to bottom of Lower.



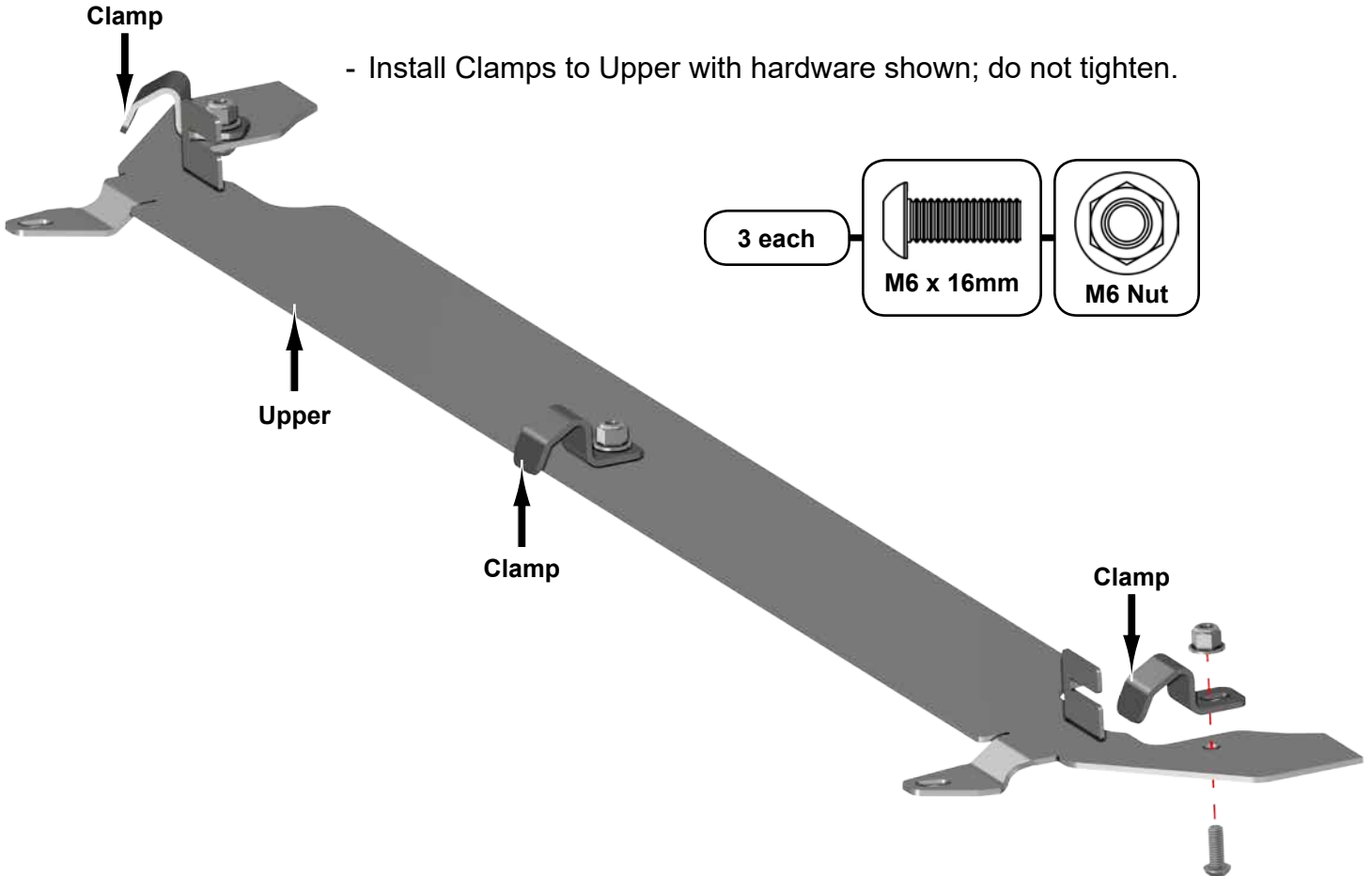
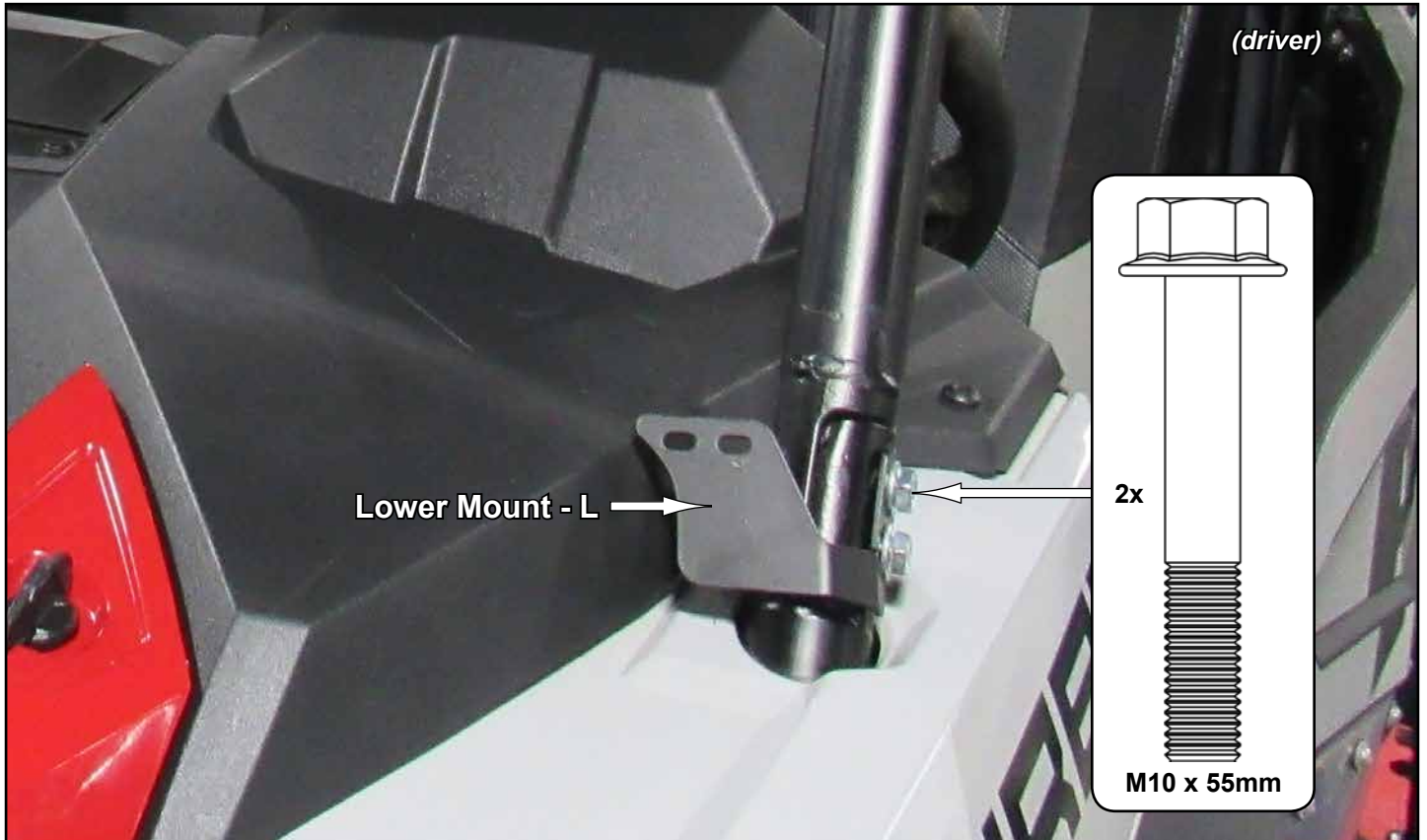


- Separate components shown from Wiper and install to Windshield.
- Separate Cam Latch and install to Windshield. Repeat for opposite end.

- Install Seals to Windshield.



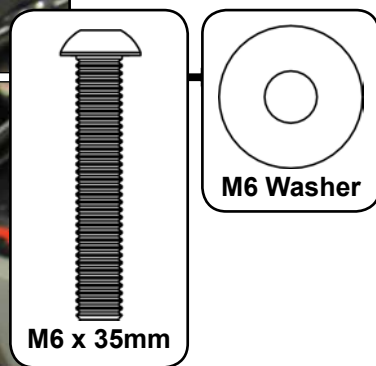
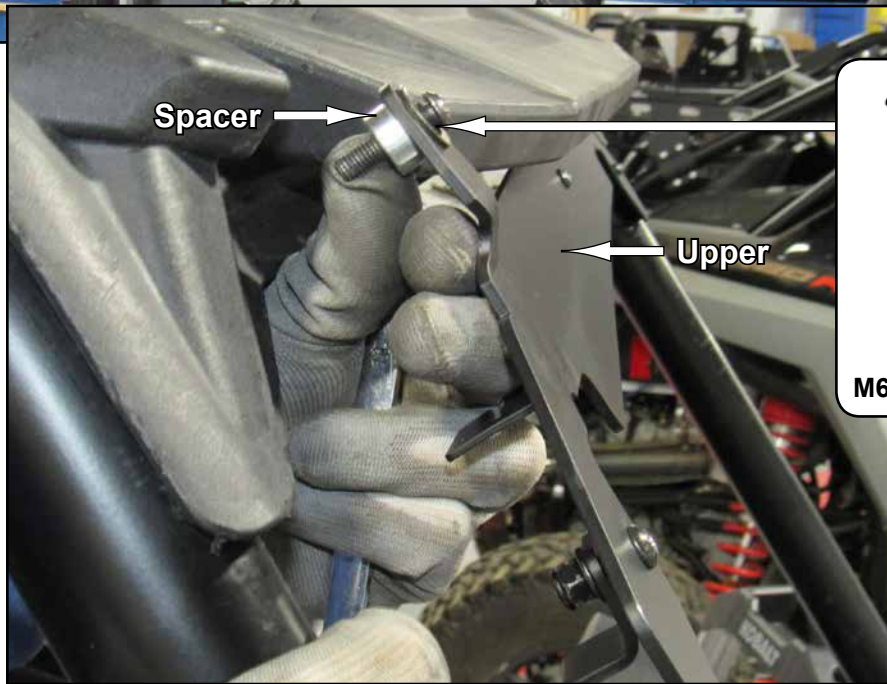
- Install Lower Mount - L to Cage with hardware shown and stock Nuts; tighten.
- Repeat for Lower Mount - R.

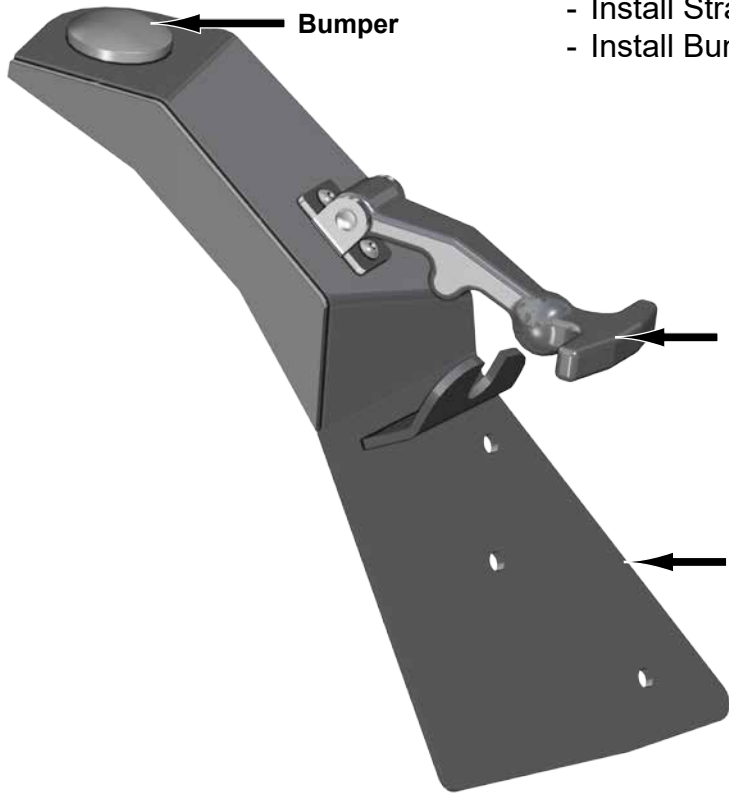


- Install D-Seal to Cowl in locations shown.

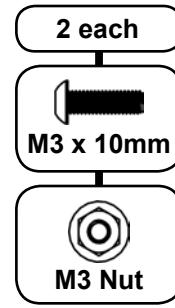


- Secure Upper to machine with hardware shown; tighten.

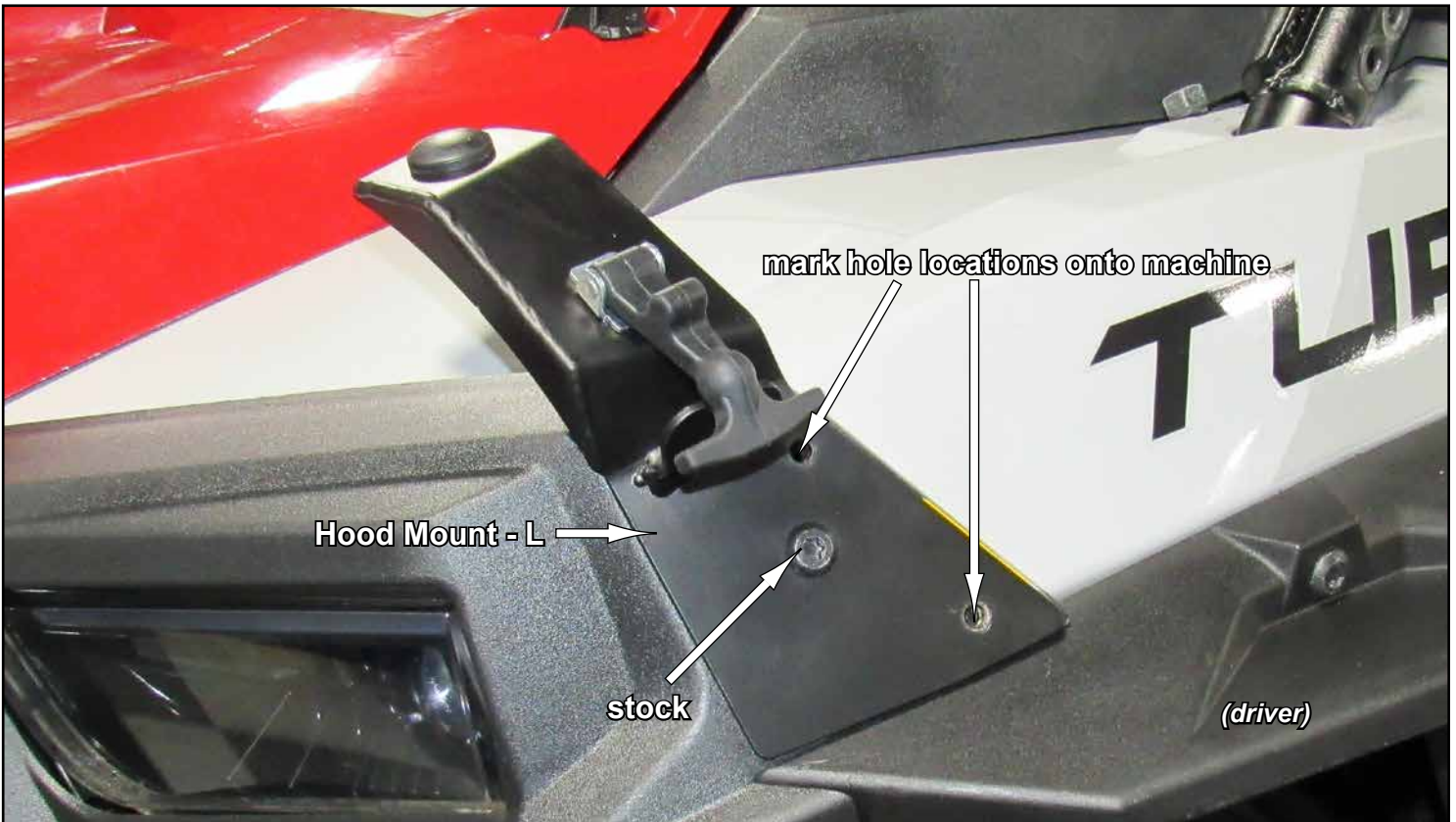




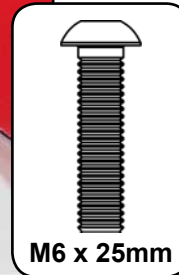
- Install Strap to Hood Mount - L with hardware shown; tighten.
- Install Bumper to Hood Mount. - L.



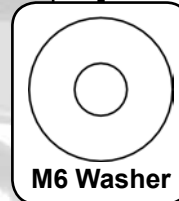
- Install Hood Mount - L to machine with hardware shown; do not tighten.
- Mark holes shown onto machine.
- Remove Hood Mount - L.
- Drill through plastic. Holes to be large enough $\text{\O}6\text{mm}$ bolts.



- Secure Hood Mount - L to machine with hardware shown;tighten.
- Repeat steps for Hood Mount - R installation.



M6 x 25mm



M6 Washer

*M6 Washer installs to
inside of plastic*

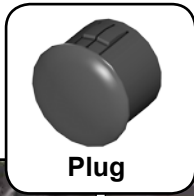


M6 Nut

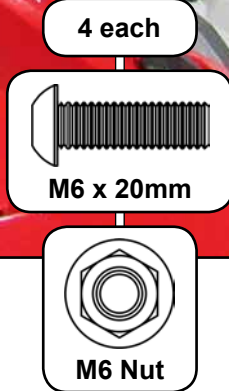
2 each

Place Windshield assembly onto machine.

- Secure Lower to Lower Mounts with hardware shown; do not tighten.
- Install Plug to Windshield.



Seal to be in contact with Hood.



- Align assembly to machine and tighten all hardware.