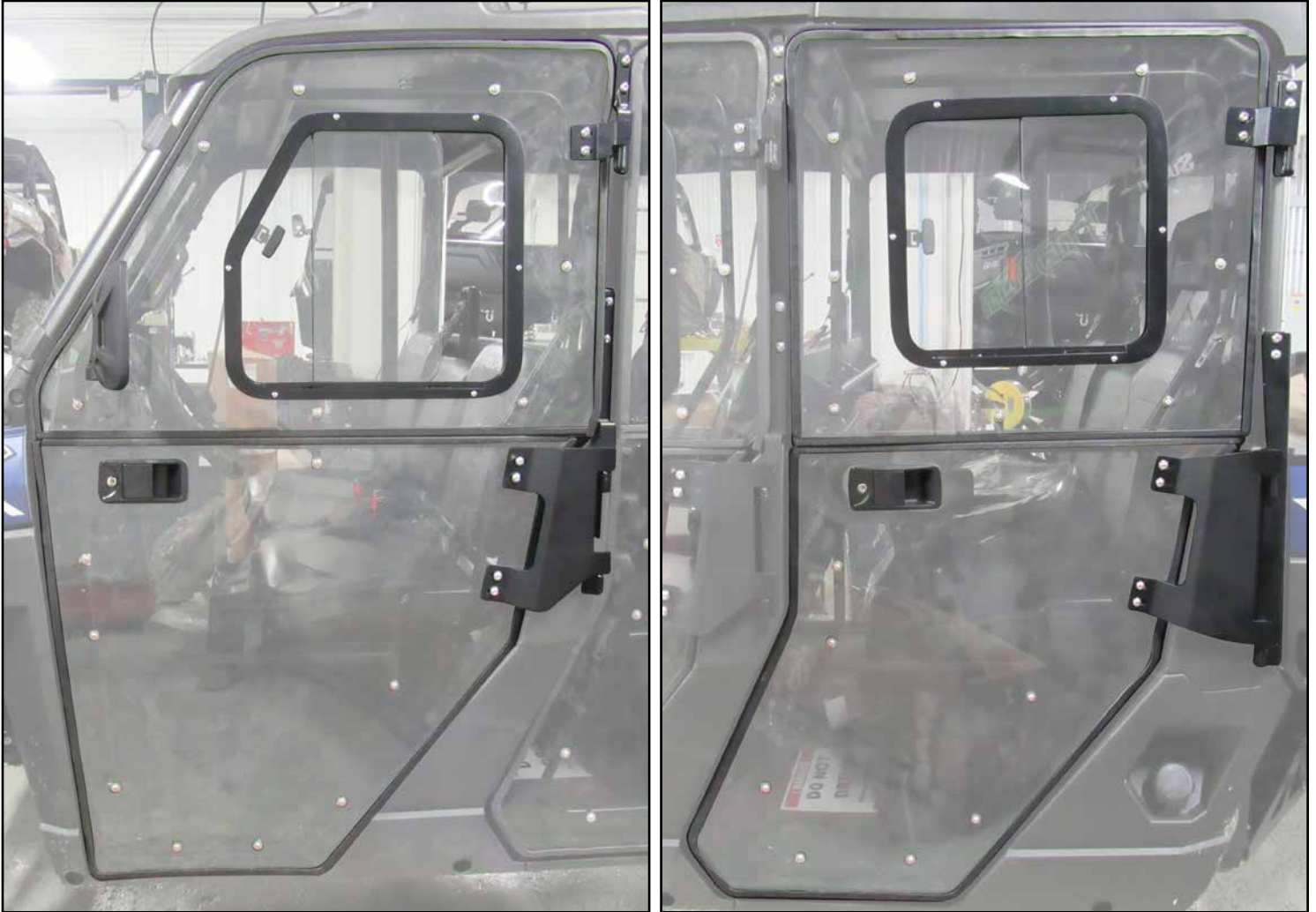


**make sure door handles are unlocked before installing**



**Door Cleaning:**

- Do not use Rain-X<sup>®</sup>, Plexus<sup>®</sup> or any other protector, wax, or polish.
  - Do not use window cleaning fluids (Windex, 409, etc) or any solvents (gasoline, denatured alcohol, acetone, etc).
  - Never use abrasive cleaners, abrasive pads, or gritty cloths.
  - Never use razor blades, scrapers, squeegees, brushes, etc.
1. Thoroughly rinse Doors to float off dirt and mud.
  2. Using a soft cloth, or microfiber cloth, clean Doors with warm water and a gentle detergent. Baby shampoo, rubbing alcohol, or hand washing soap can also be used.
  3. To prevent water spots, use a chamois to blot Doors dry.

**Need help with your installation?**



sales@superatv.com



www.superatv.com



1-855-743-3427



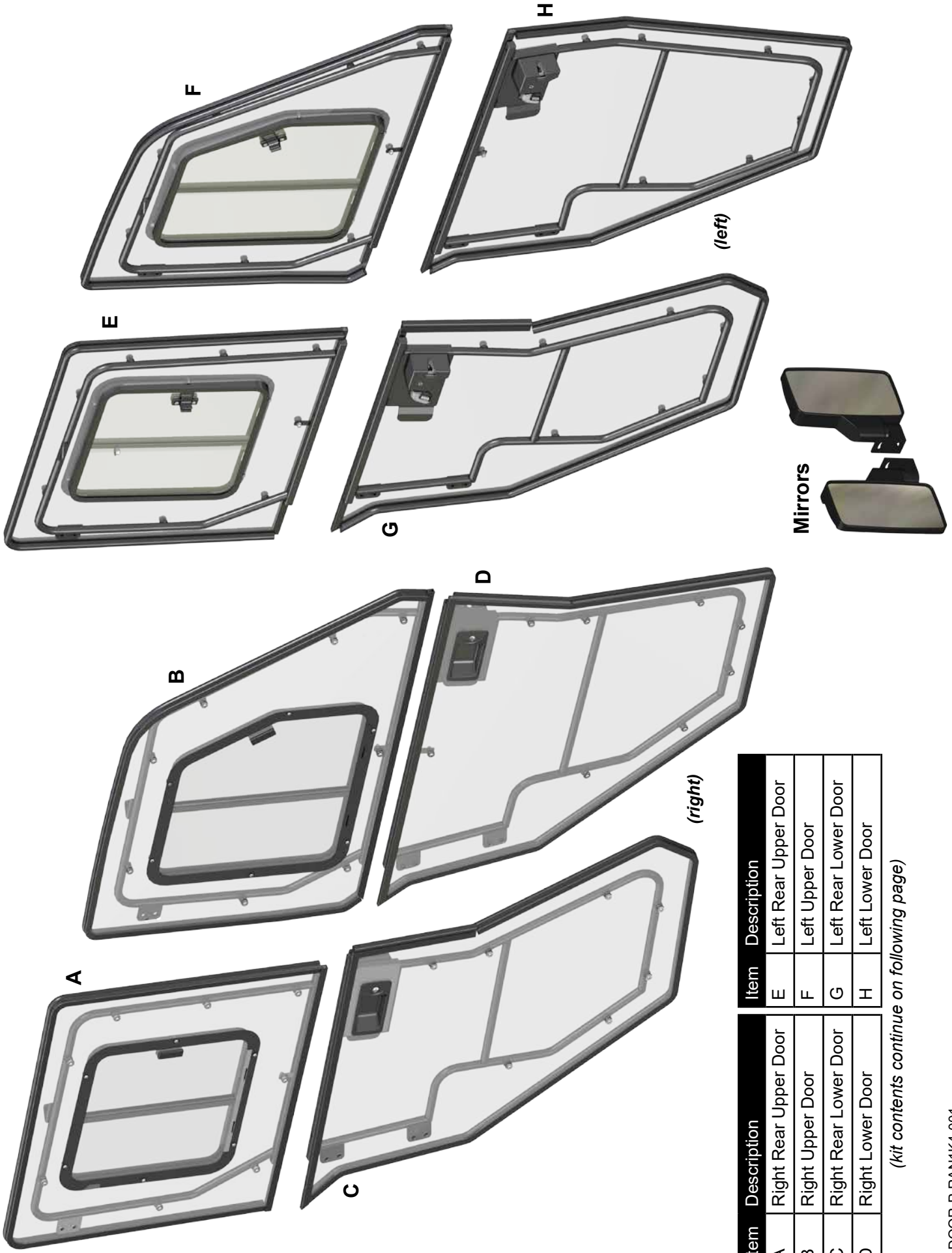
8:00am - 8:00pm EST M-Th  
8:00am - 7:00pm EST Friday  
9:00am - 2:00pm EST Saturday

**Read instructions and view illustrations before beginning.**

*Thank You*

*For Choosing*

**SUPERATV**.COM<sup>®</sup>



Item	Description	Item	Description
A	Right Rear Upper Door	E	Left Rear Upper Door
B	Right Upper Door	F	Left Upper Door
C	Right Rear Lower Door	G	Left Rear Lower Door
D	Right Lower Door	H	Left Lower Door

(kit contents continue on following page)

(kit contents continued)

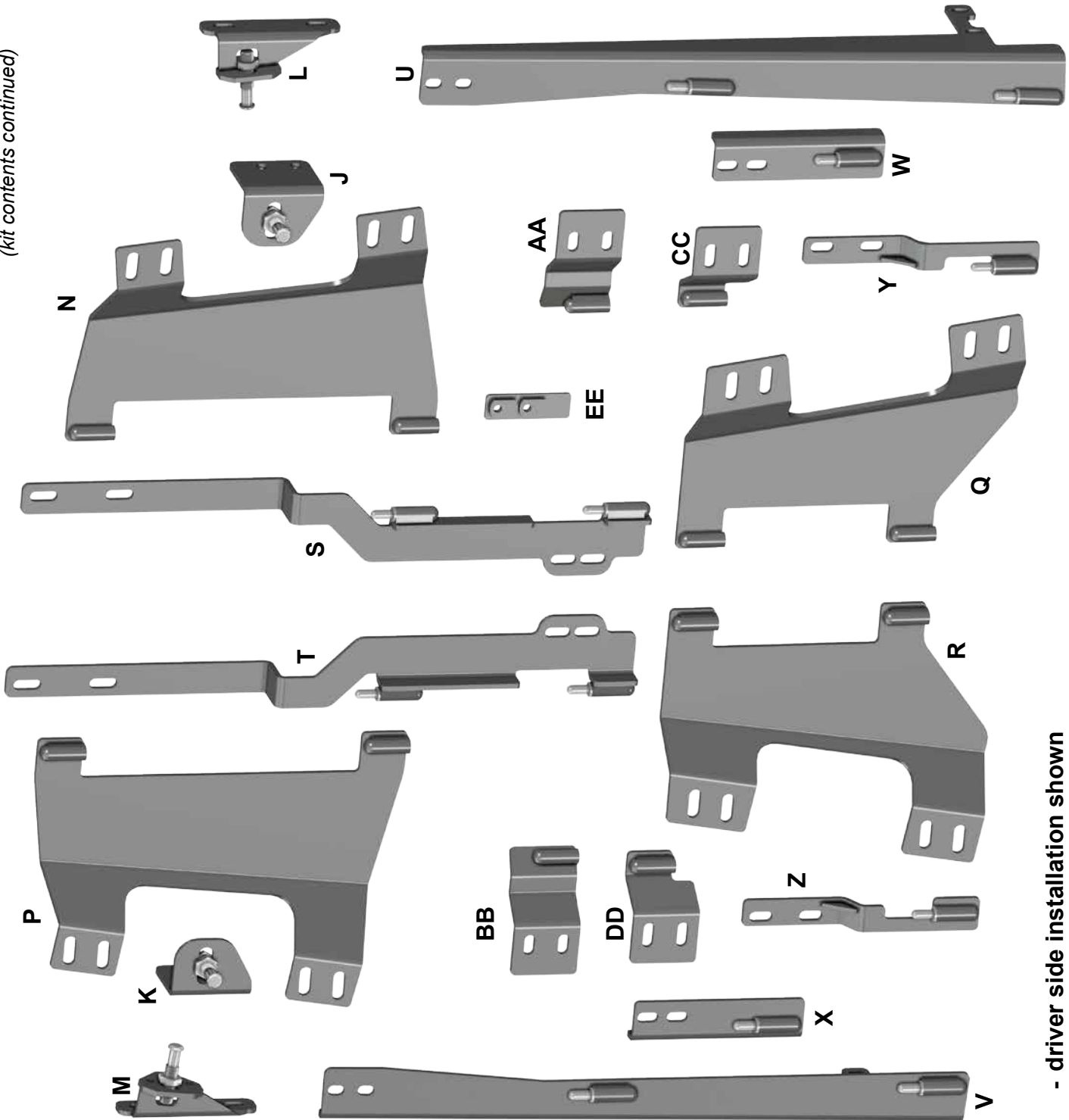
Item	Description
J	Left Rear Striker
K	Right Rear Striker
L	Left Front Striker
M	Right Front Striker
N	Left Lower Rear Mount
P	Right Lower Rear Mount
Q	Left Lower Front Mount
R	Right Lower Front Mount
S	Left Front Male Hinge
T	Right Front Male Hinge
U	Left Rear Male Hinge
V	Right Rear Male Hinge
W	Left Rear Upper Male Hinge
X	Right Rear Upper Male Hinge
Y	Left Front Upper Male Hinge
Z	Right Front Upper Male Hinge
AA	Left Rear Female Hinge
BB	Right Rear Female Hinge
CC	Left Front Female Hinge
DD	Right Front Female Hinge
EE	Bracket Retainer x 4



**Clamp x 4**

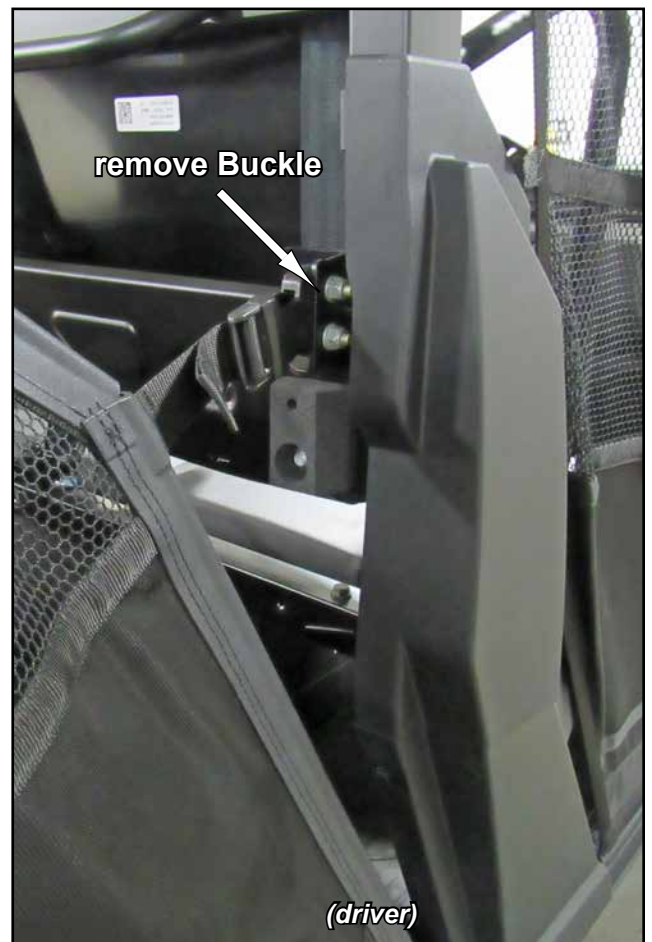
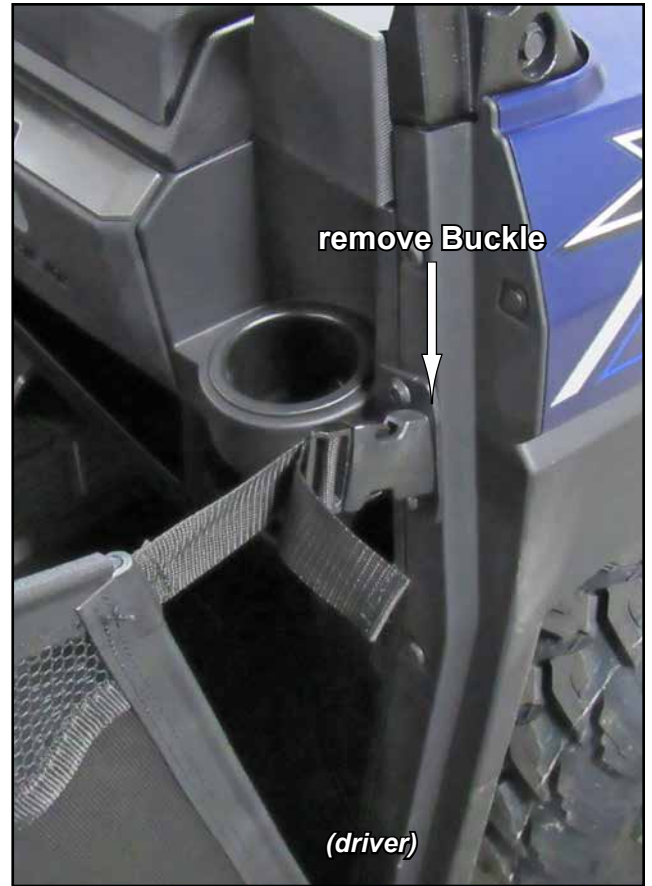
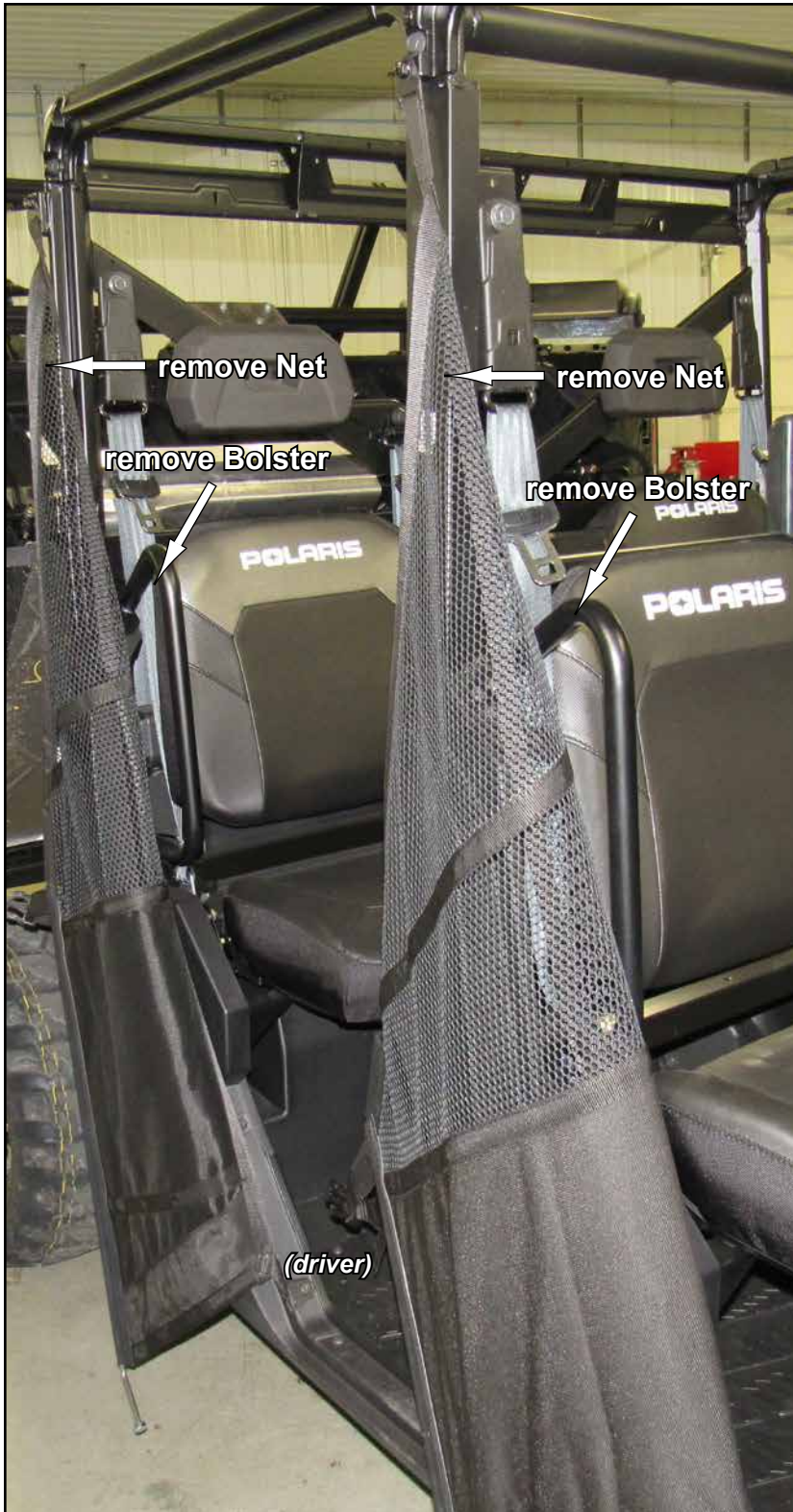


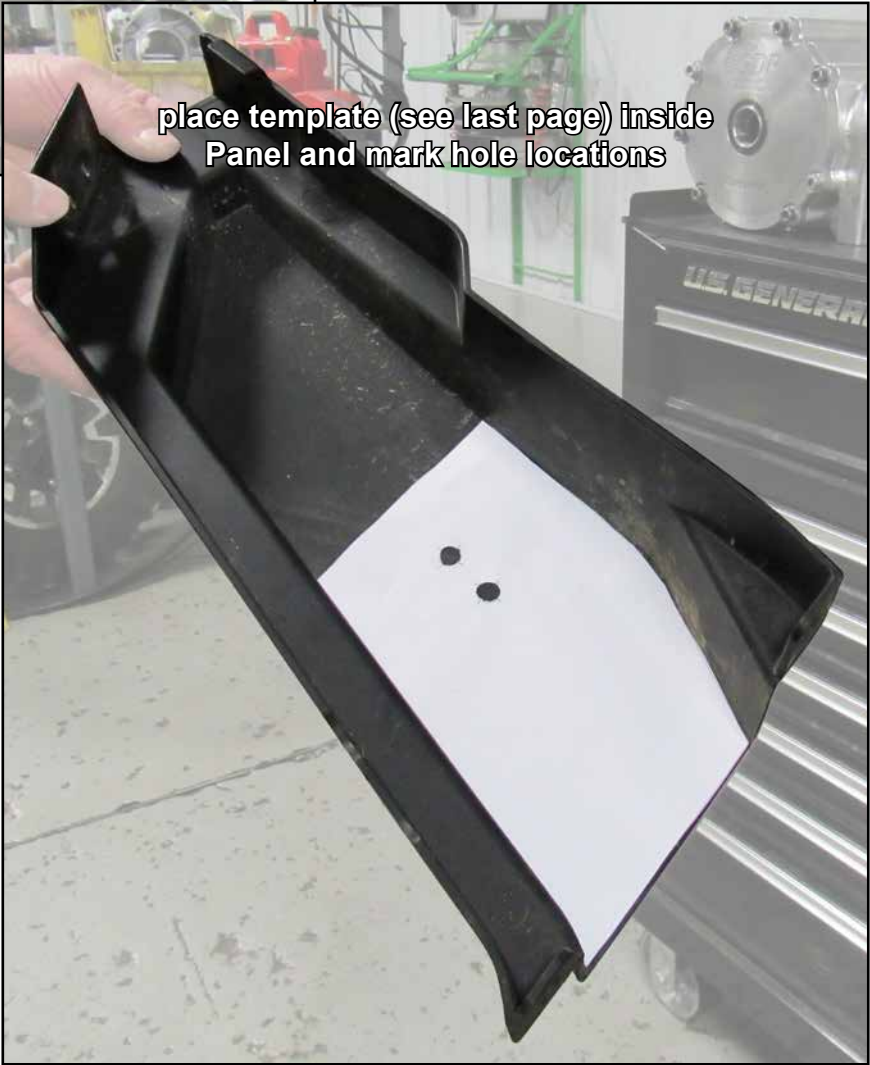
**Strut x 4**



- driver side installation shown  
 - when assembling, do not tighten any hardware completely unless noted

- Remove Nets, Bolsters, and Buckles from both sides of machine. Do not discard any components.

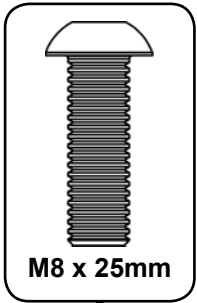
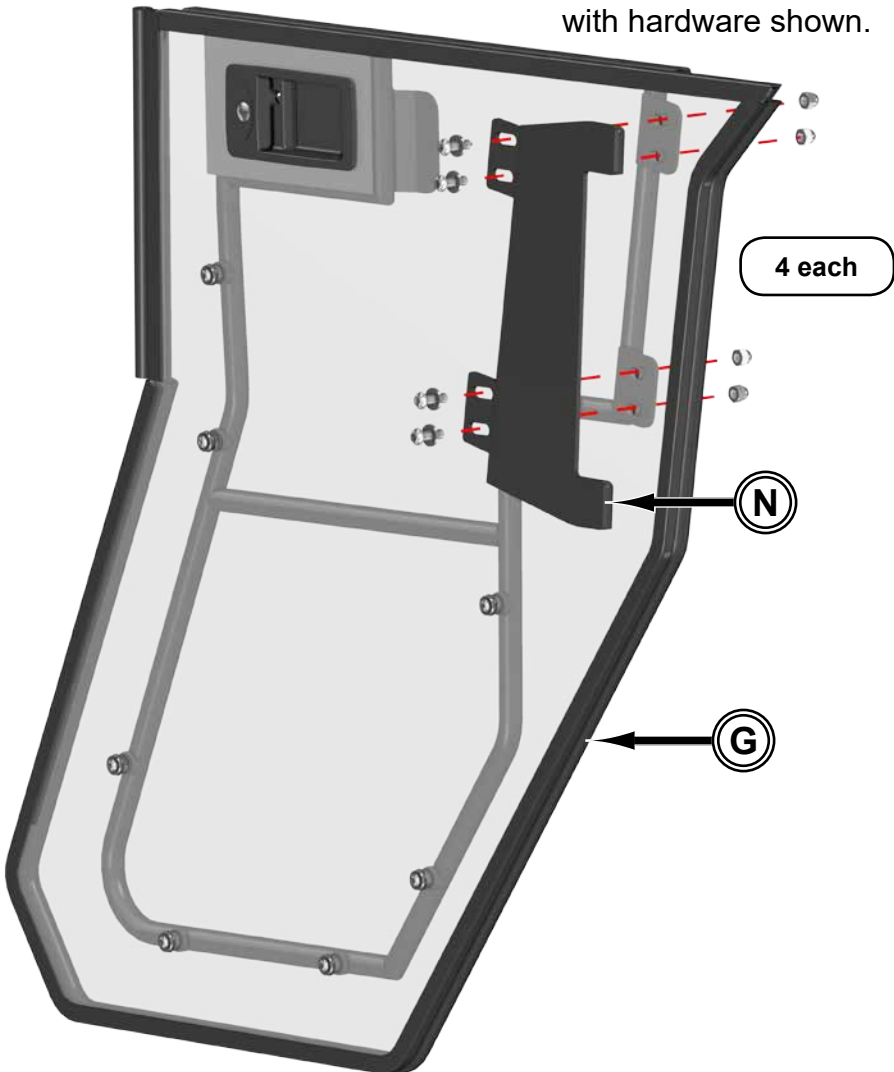






remove template and drill holes large enough to fit a Ø8mm bolt

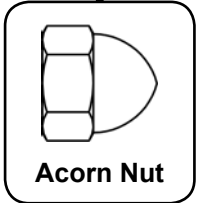
- Install Left Lower Rear Mount (N) to Left Rear Lower Door (G) with hardware shown.



M8 x 25mm



M8 Washer



Acorn Nut

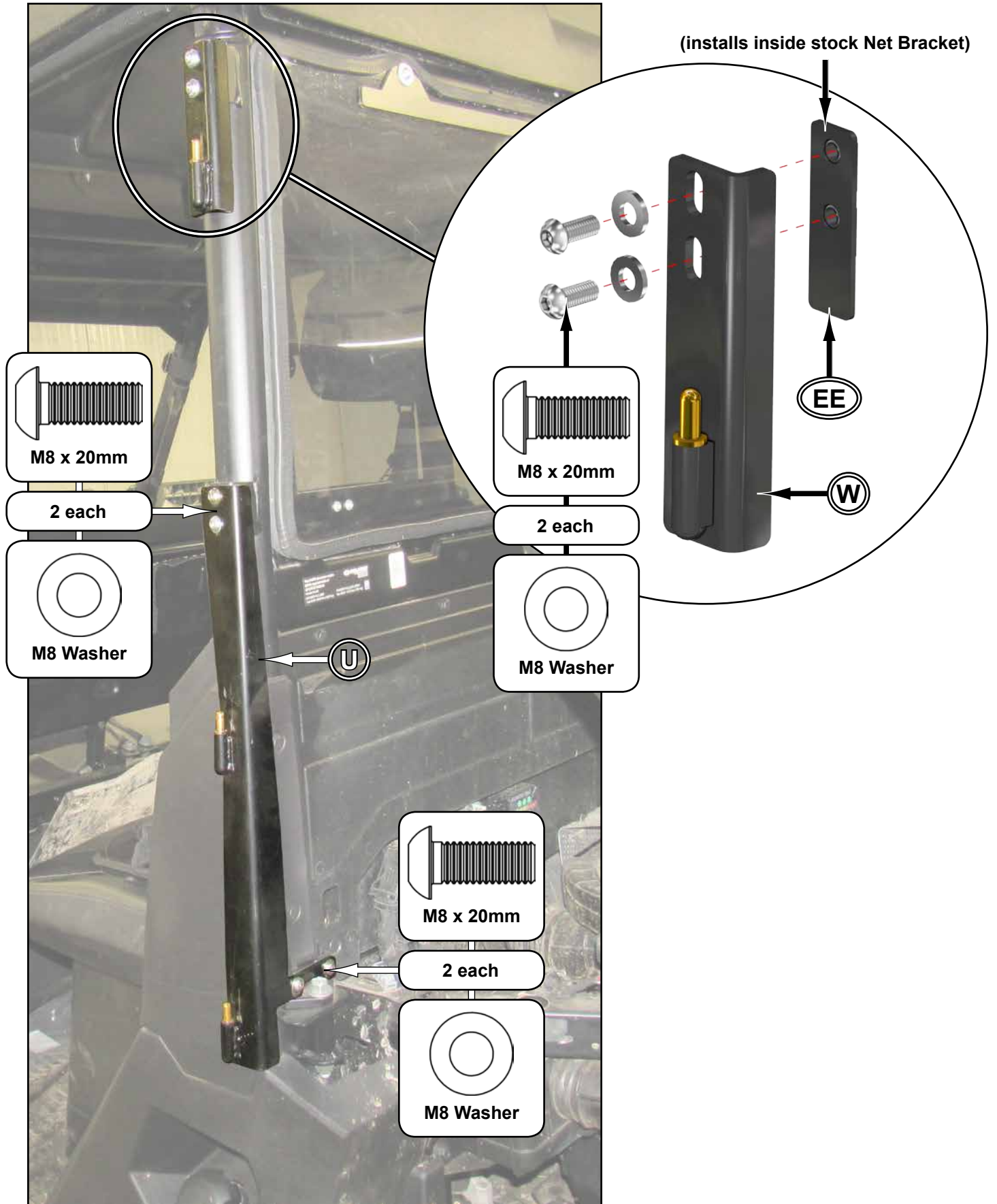
- Install Left Front Striker (L) to Cage with stock hardware.



- Install Left Rear Striker (J) with hardware shown.



- Raise Bed and Install Left Rear Male Hinge (U) with hardware shown.
- Install Left Rear Upper Male Hinge (W) and Bracket Retainer (EE) with hardware shown; do not tighten completely.

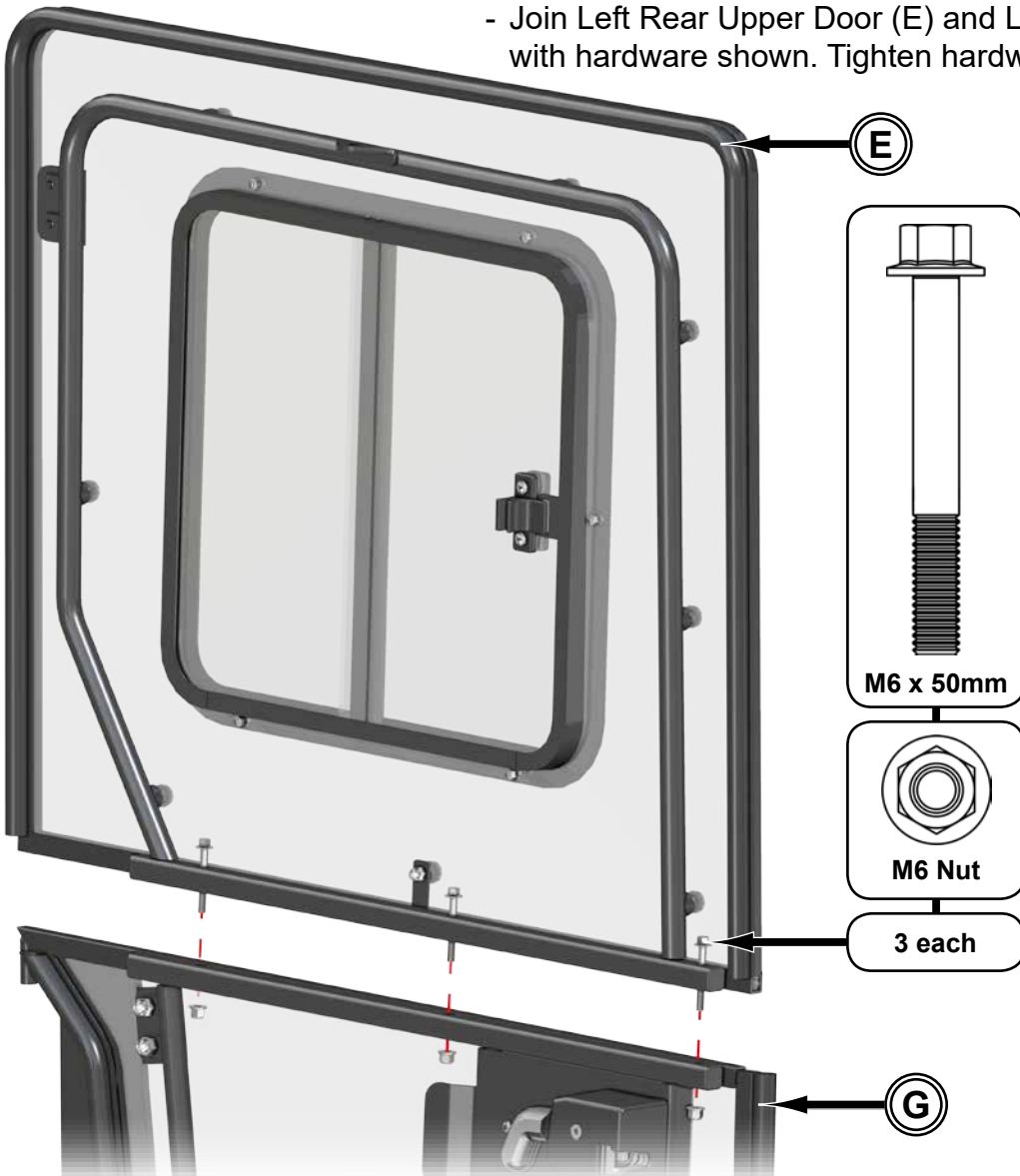




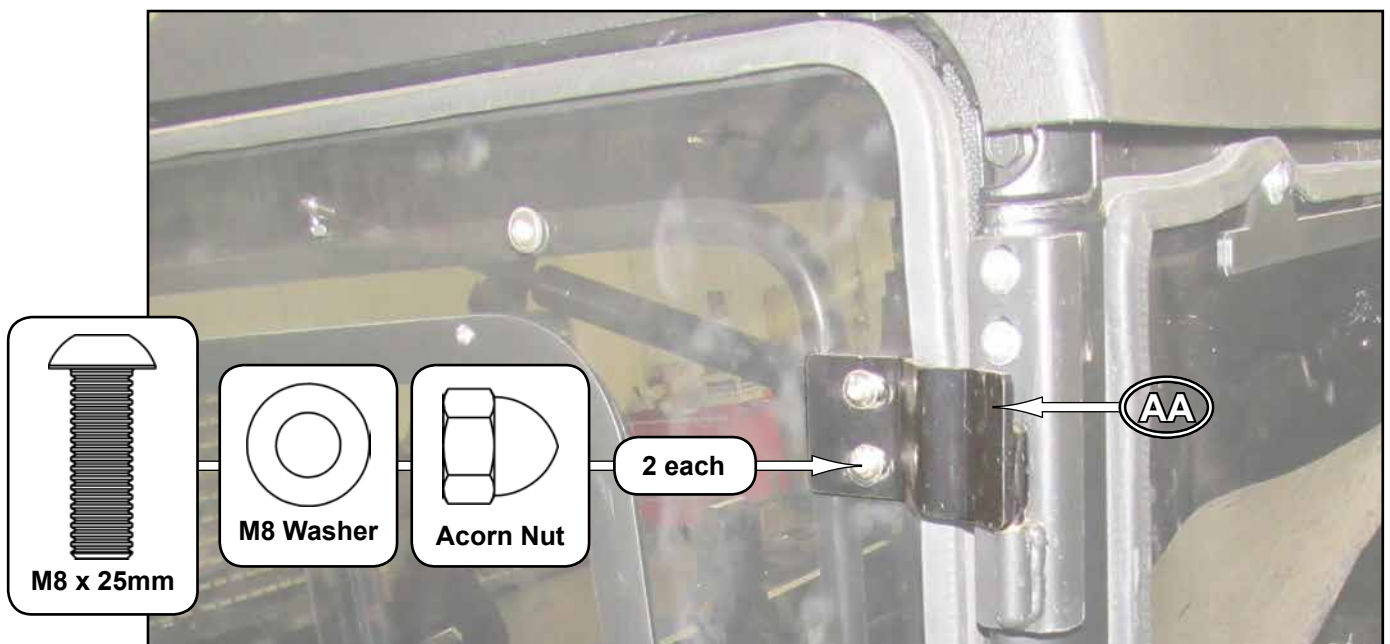
- Place Left Rear Lower Door (G) onto Left Rear Male Hinge (U).



- Join Left Rear Upper Door (E) and Left Rear Lower Door (G) with hardware shown. Tighten hardware completely.



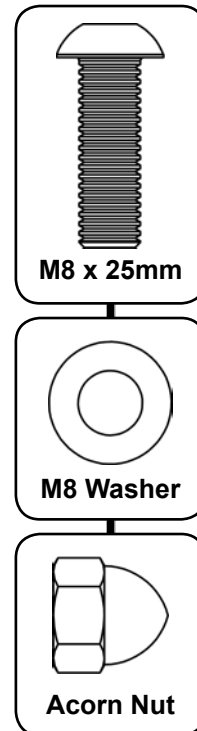
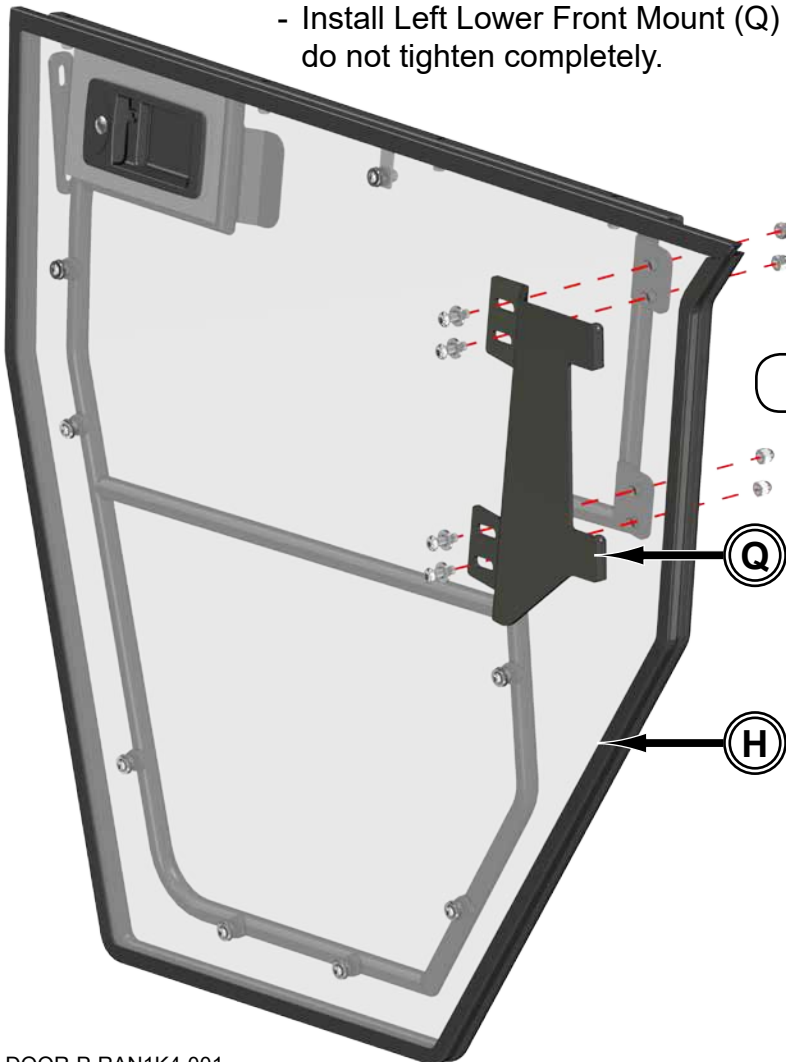
- Install Left Rear Female Hinge (AA) onto Left Rear Male Hinge (U) and Left Rear Upper Door (F) with hardware shown; do not tighten completely.



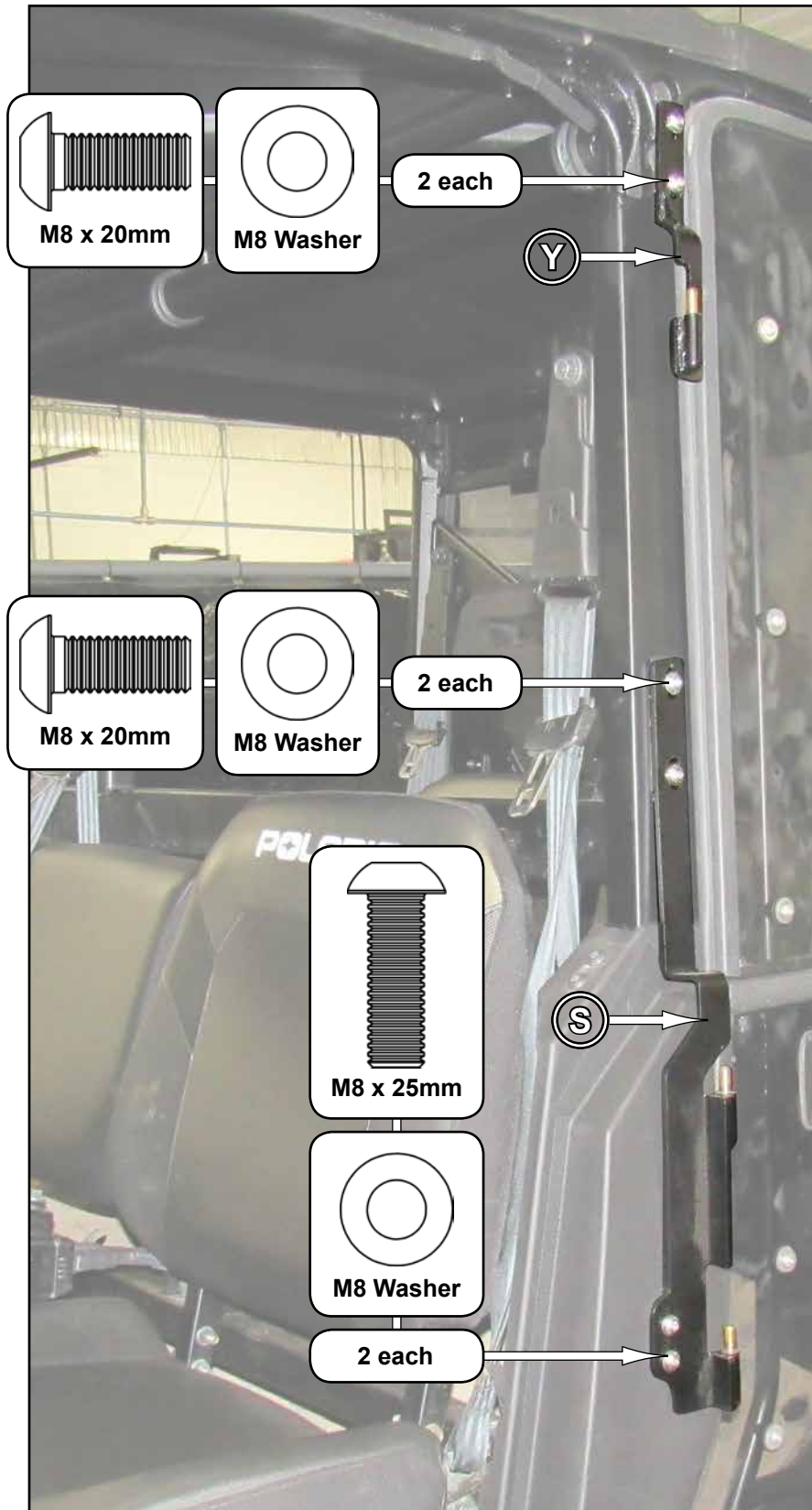
- Install Strut (M) to Left Rear Upper Door (E) with hardware shown.
- Secure Clamp to Cage.



- Install Left Lower Front Mount (Q) to Left Lower Door (H) with hardware shown; do not tighten completely.



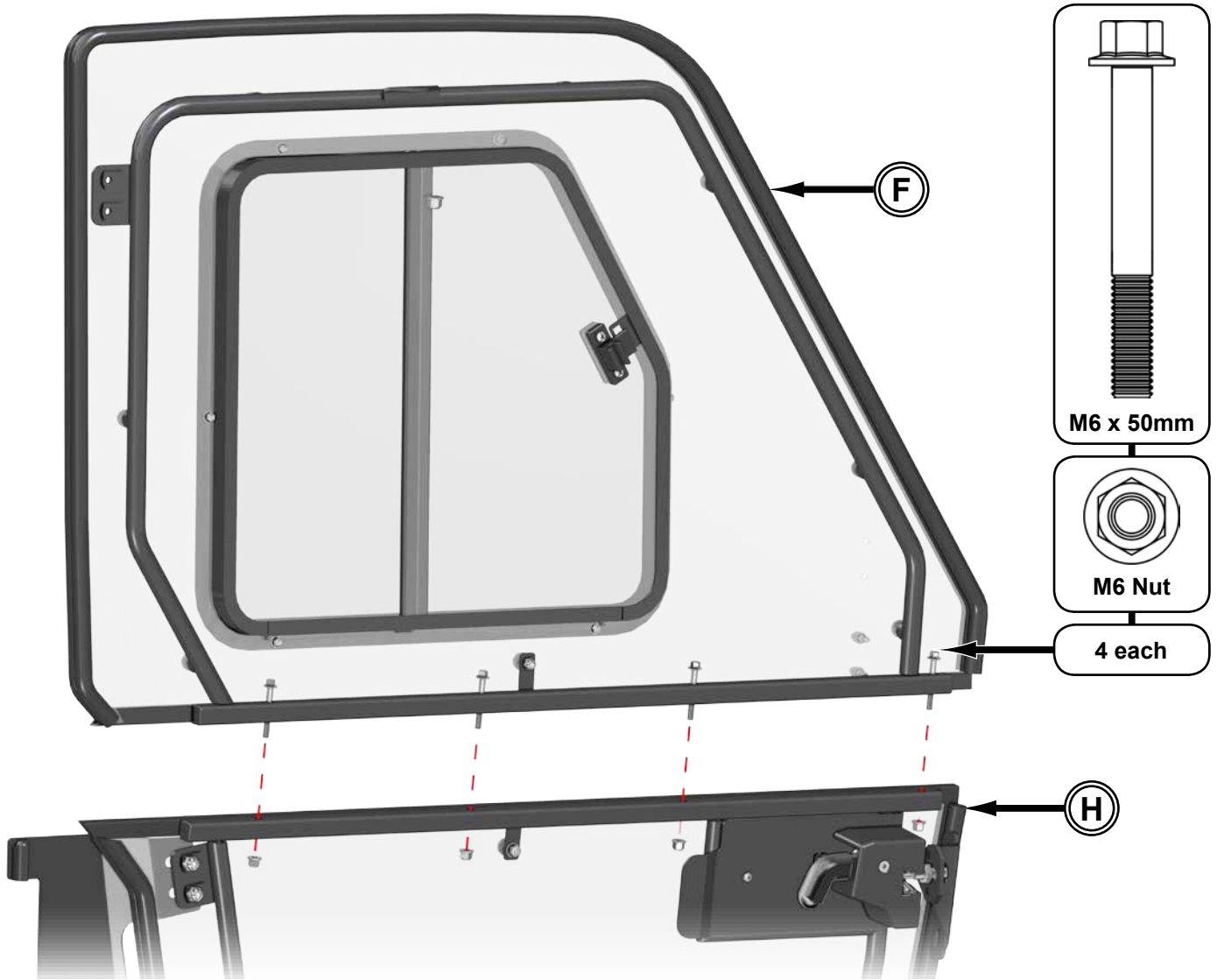
- Install Left Front Upper Male Hinge (Y) and Left Front Male Hinge (S) with hardware shown; do not tighten completely.



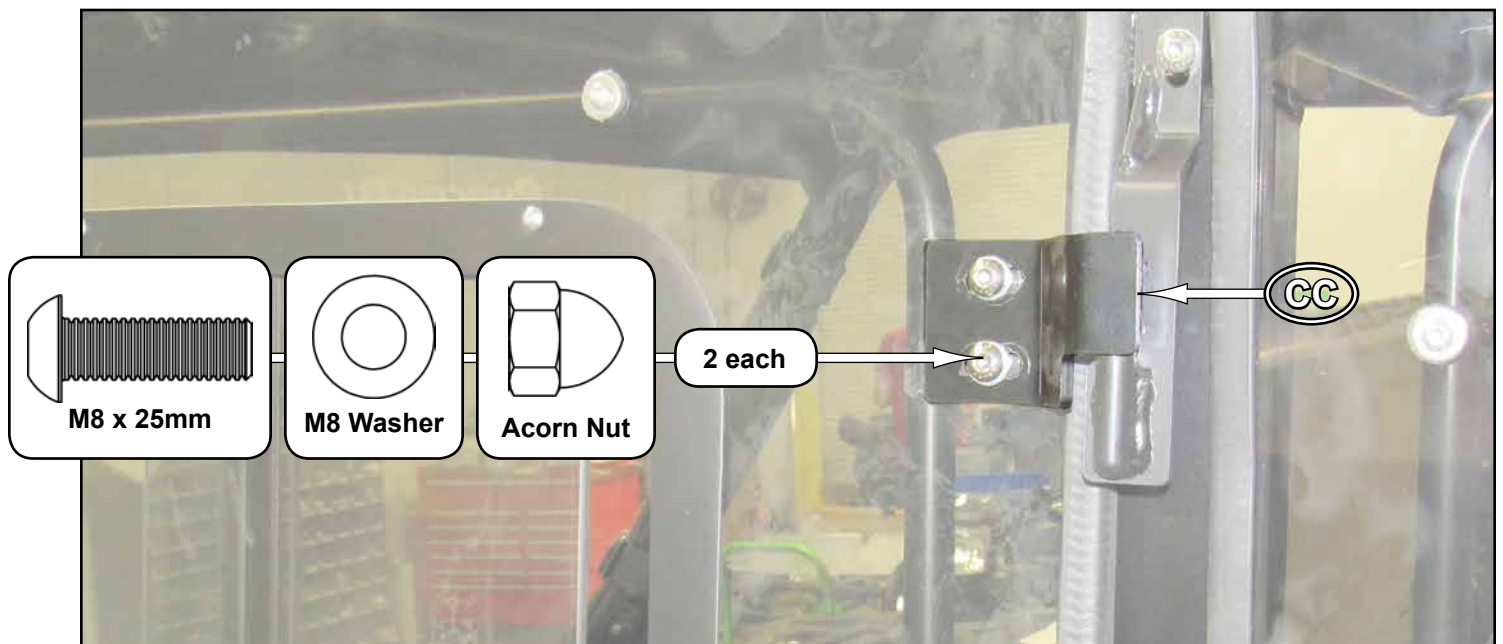
- Place Left Lower Door (H) onto Left Front Male Hinge (S).



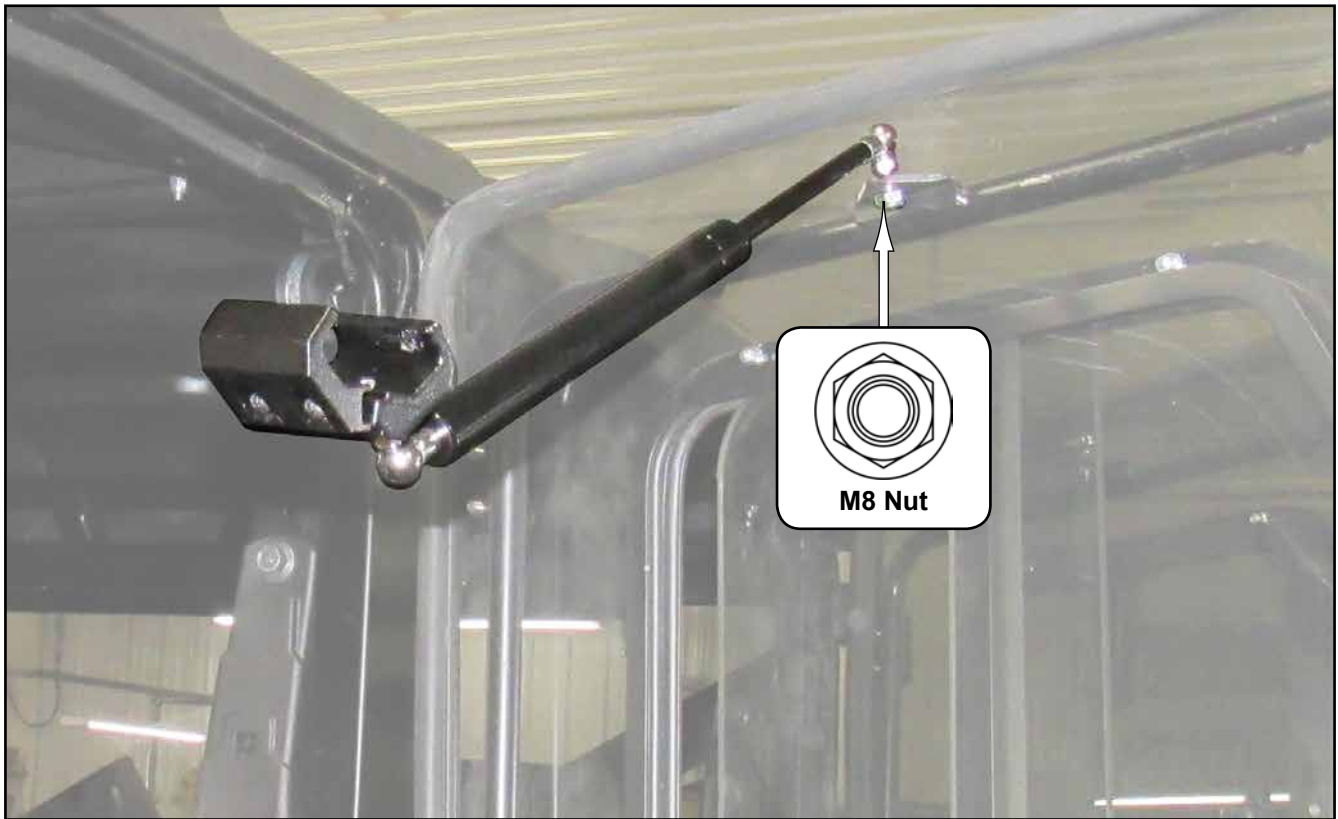
- Join Left Upper Door (F) and Left Lower Door (H) with hardware shown. Tighten hardware completely.



- Install Left Front Female Hinge (CC) onto Left Front Male Hinge (S) and Left Upper Door (F) with hardware shown; do not tighten completely.

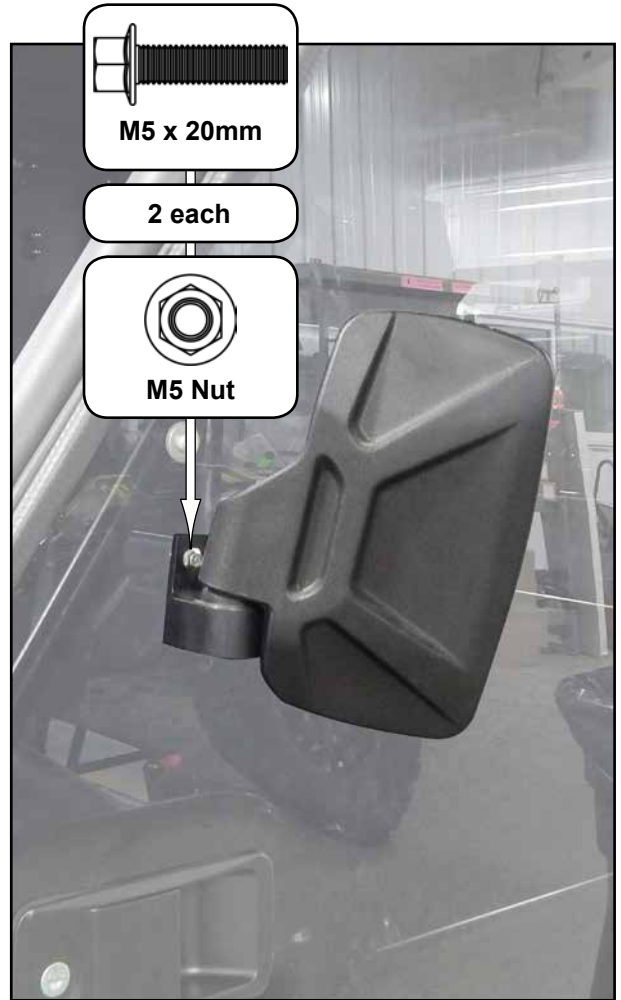
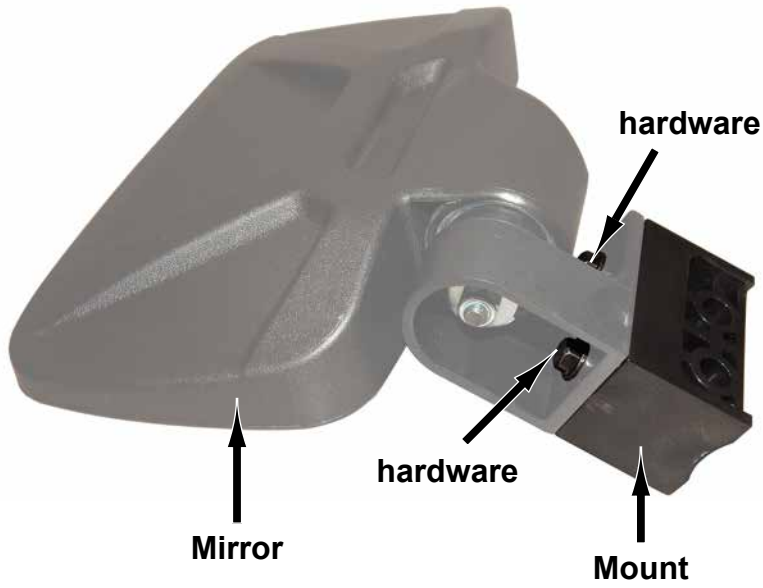


- Install Strut (M) to Left Upper Door (F) with hardware shown.
- Secure Clamp to Cage.

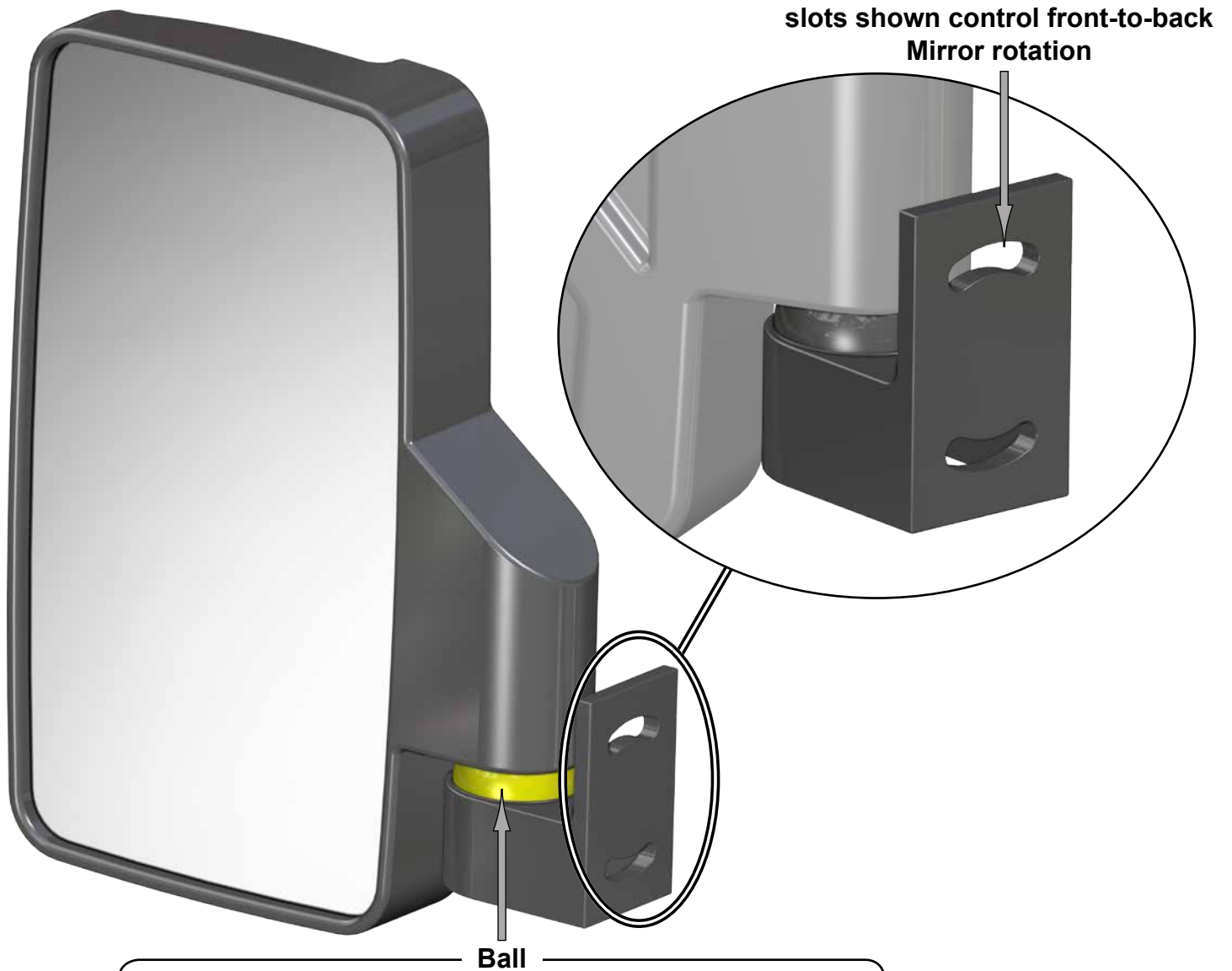


- Repeat steps for opposite side.
- Shut Doors and engage latches.
- Align Doors to machine and tighten all hardware completely.

- Remove installed Mounts on Mirrors. Discard Mount and hardware.
- Install Mirrors to Doors with hardware shown.







- Mirror is spring loaded and can also be adjusted here.
- Ball will allow adjustment in various directions.



**Liability Statement**

SuperATV's® products are designed to best fit user's ATV/UTV under stock conditions. Adding, modifying, or fabricating any factory or aftermarket parts will void any warranty provided by SuperATV® and is not recommended. SuperATV's® products could interfere with other aftermarket accessories. If user has aftermarket products on machine, contact SuperATV® to verify that they will work together.

Although SuperATV® has thousands of satisfied customers, user should be aware that installing lift kits, long travel, or suspension kits, tires, etc. will change the ride of machine and may increase maintenance and part wear. Operating any off-road machine while, or after, consuming alcohol and/or drugs increases risk of bodily harm or death. No warranty or representation is made as to this product's ability to protect user from severe injury or death. SuperATV® urges operators and occupants to wear a helmet and appropriate riding gear at all times.

By purchasing and installing SuperATV® products, user agrees that should damages occur, SuperATV® will not be held responsible for loss of time, use, labor fees, replacement parts, or freight charges. SuperATV®, nor any 3rd party, will not be held responsible for any direct, indirect, incidental, special, or consequential damages that result from any product purchased from SuperATV®. The total liability of seller to user for all damages, losses, and causes of action, if any, shall not exceed the total purchase price paid for the product that gave rise to the claim.

SuperATV® will warranty only parts provided by SuperATV®. Any damage or problems with OEM housings, bearings, seals, or other manufacturers' products will not be covered by SuperATV®. SuperATV® parts and products are not warrantied if item was not installed properly, misused, or modified.

Installing, adding, modifying, or fabricating any factory or aftermarket product to your ATV/UTV may violate certain local, state, and federal laws. Be advised that laws vary depending on town, city, county, state, etc. Use of certain products on public streets, roads, or highways may be in violation law. The Buyer is solely and exclusively legally and personally responsible for any violation of the law by the installation or use of the product. You must abide by all local, state, and federal laws, including but not limited to vehicle safety, traffic laws, and ordinances. It is your responsibility to know the laws and how they apply to you.

The Buyer is responsible to fully understand the capability and limitations of his/her vehicle according to manufacturer specifications, warnings and instructions and agrees to hold SuperATV® harmless from any damage resulting from failure to adhere to such specifications, warnings and/ or instructions. The Buyer is also responsible to obey all applicable federal, state, and local laws and ordinances when operating his/her vehicle while using this product, and the Buyer agrees to hold SuperATV® harmless from any violation thereof.

**carefully cut out template and holes**

