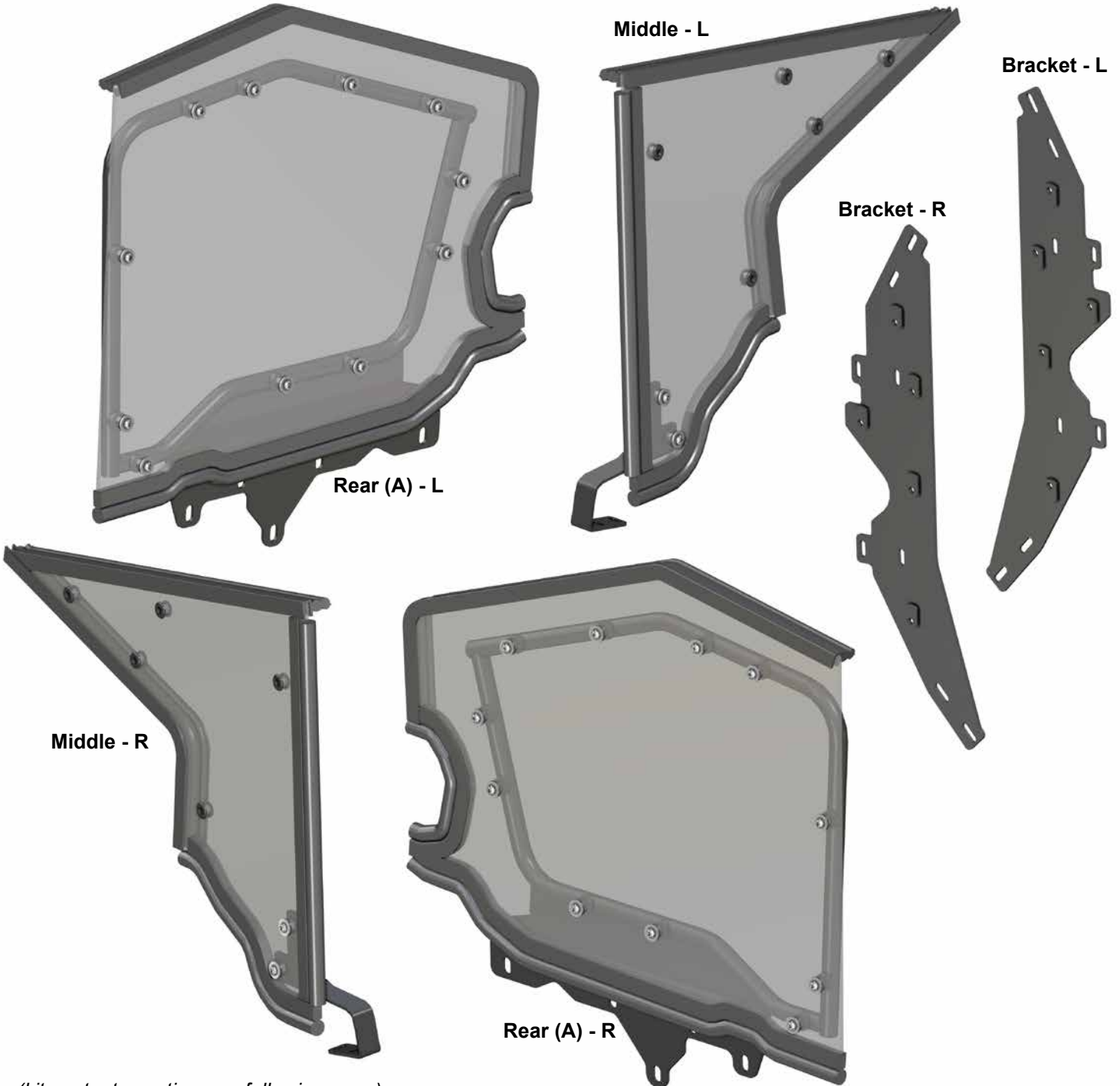


Do not discard packaging until product has been successfully installed.



(kit contents continue on following page)

Need help with your installation?



sales@superatv.com



www.superatv.com



1-855-743-3427



8:00am - 8:00pm EST M-Th
8:00am - 7:00pm EST Friday
9:00am - 2:00pm EST Saturday

Read instructions and view illustrations before beginning.

Thank You

For Choosing



(kit contents continued)



Large Clamp x 4



Small Clamp x 4

Door Cleaning:

- Do not use Rain-X®, Plexus® or any other protector, wax, or polish.
 - Do not use window cleaning fluids (Windex, 409, etc) or any solvents (gasoline, denatured alcohol, acetone, etc).
 - Never use abrasive cleaners, abrasive pads, or gritty cloths.
 - Never use razor blades, scrapers, squeegees, brushes, etc.
1. Thoroughly rinse Doors to float off dirt and mud.
 2. Using a soft cloth, or microfiber cloth, clean Doors with warm water and a gentle detergent. Baby shampoo, rubbing alcohol, or hand washing soap can also be used.
 3. To prevent water spots, use a chamois to blot Doors dry.

Liability Statement

SuperATV's® products are designed to best fit user's ATV/UTV under stock conditions. Adding, modifying, or fabricating any factory or aftermarket parts will void any warranty provided by SuperATV® and is not recommended. SuperATV's® products could interfere with other aftermarket accessories. If user has aftermarket products on machine, contact SuperATV® to verify that they will work together.

Although SuperATV® has thousands of satisfied customers, user should be aware that installing lift kits, long travel, or suspension kits, tires, etc. will change the ride of machine and may increase maintenance and part wear. Operating any off-road machine while, or after, consuming alcohol and/or drugs increases risk of bodily harm or death. No warranty or representation is made as to this product's ability to protect user from severe injury or death. SuperATV® urges operators and occupants to wear a helmet and appropriate riding gear at all times.

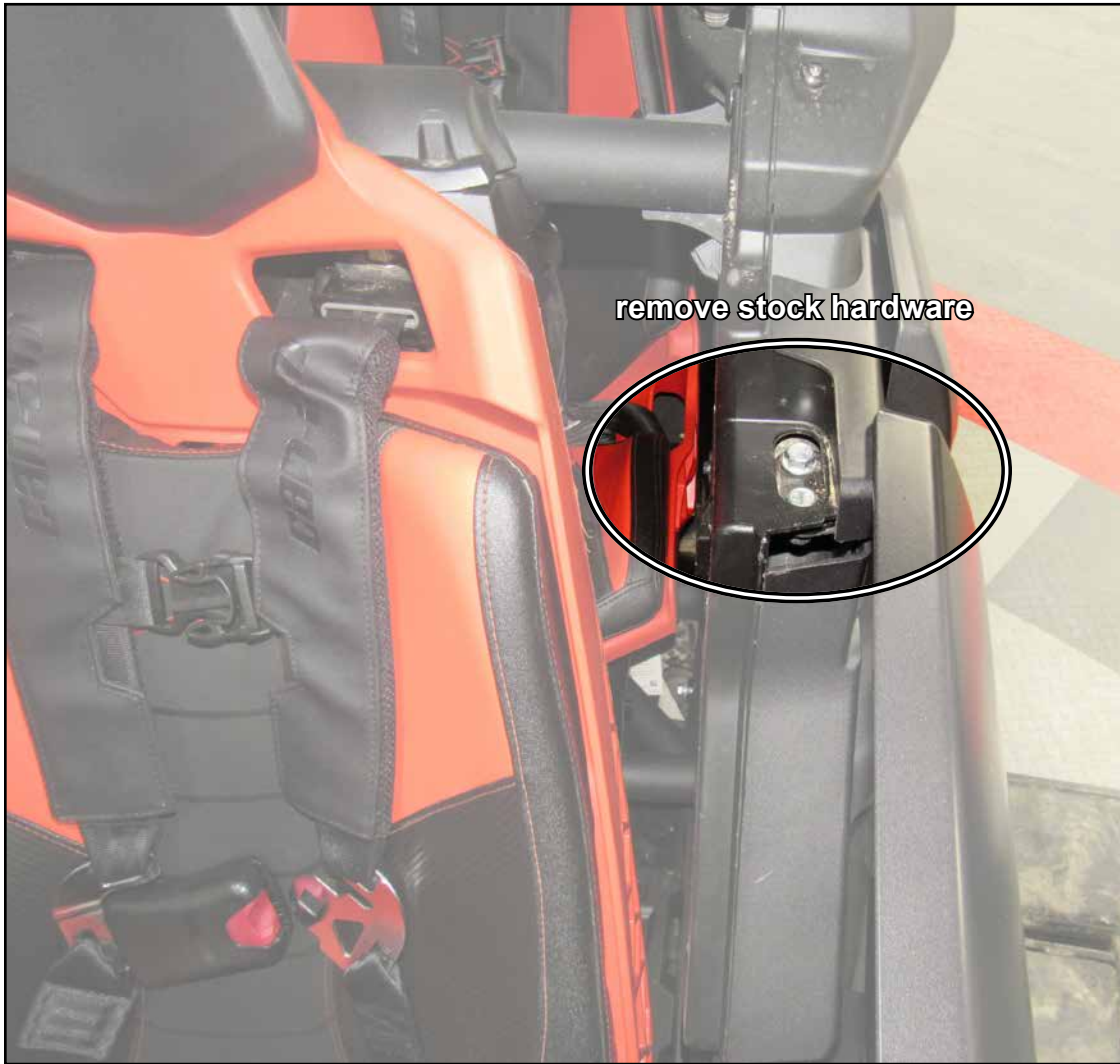
By purchasing and installing SuperATV® products, user agrees that should damages occur, SuperATV® will not be held responsible for loss of time, use, labor fees, replacement parts, or freight charges. SuperATV®, nor any 3rd party, will not be held responsible for any direct, indirect, incidental, special, or consequential damages that result from any product purchased from SuperATV®. The total liability of seller to user for all damages, losses, and causes of action, if any, shall not exceed the total purchase price paid for the product that gave rise to the claim.

SuperATV® will warranty only parts provided by SuperATV®. Any damage or problems with OEM housings, bearings, seals, or other manufacturers' products will not be covered by SuperATV®. SuperATV® parts and products are not warrantied if item was not installed properly, misused, or modified.

Installing, adding, modifying, or fabricating any factory or aftermarket product to your ATV/UTV may violate certain local, state, and federal laws. Be advised that laws vary depending on town, city, county, state, etc. Use of certain products on public streets, roads, or highways may be in violation law. The Buyer is solely and exclusively legally and personally responsible for any violation of the law by the installation or use of the product. You must abide by all local, state, and federal laws, including but not limited to vehicle safety, traffic laws, and ordinances. It is your responsibility to know the laws and how they apply to you.

The Buyer is responsible to fully understand the capability and limitations of his/her vehicle according to manufacturer specifications, warnings and instructions and agrees to hold SuperATV® harmless from any damage resulting from failure to adhere to such specifications, warnings and/ or instructions. The Buyer is also responsible to obey all applicable federal, state, and local laws and ordinances when operating his/her vehicle while using this product, and the Buyer agrees to hold SuperATV® harmless from any violation thereof.

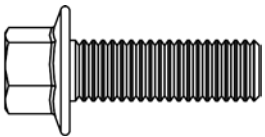
Driver side installation shown.



- Secure Middle - L to machine with stock hardware; do not tighten.



If stock hardware is damaged or missing,
use provided hardware shown.



M8 x 25mm



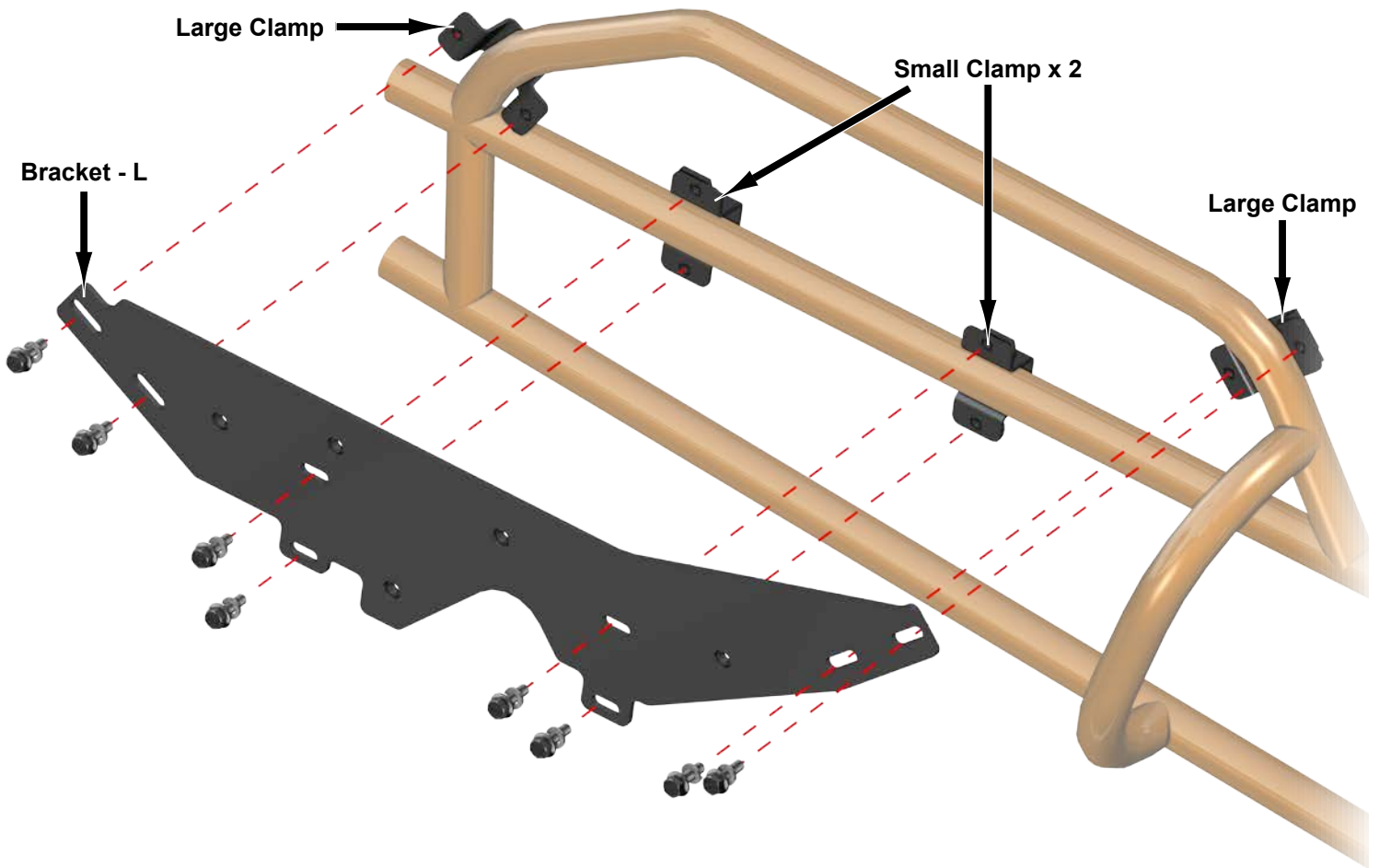
M8 Nut

- Place Clamps around Cage in locations shown.



- Secure Middle - L to Clamps with hardware shown; do not tighten.





- Place Clamps onto Door in locations shown.
- Install Bracket - L to Clamps with hardware shown; do not tighten.

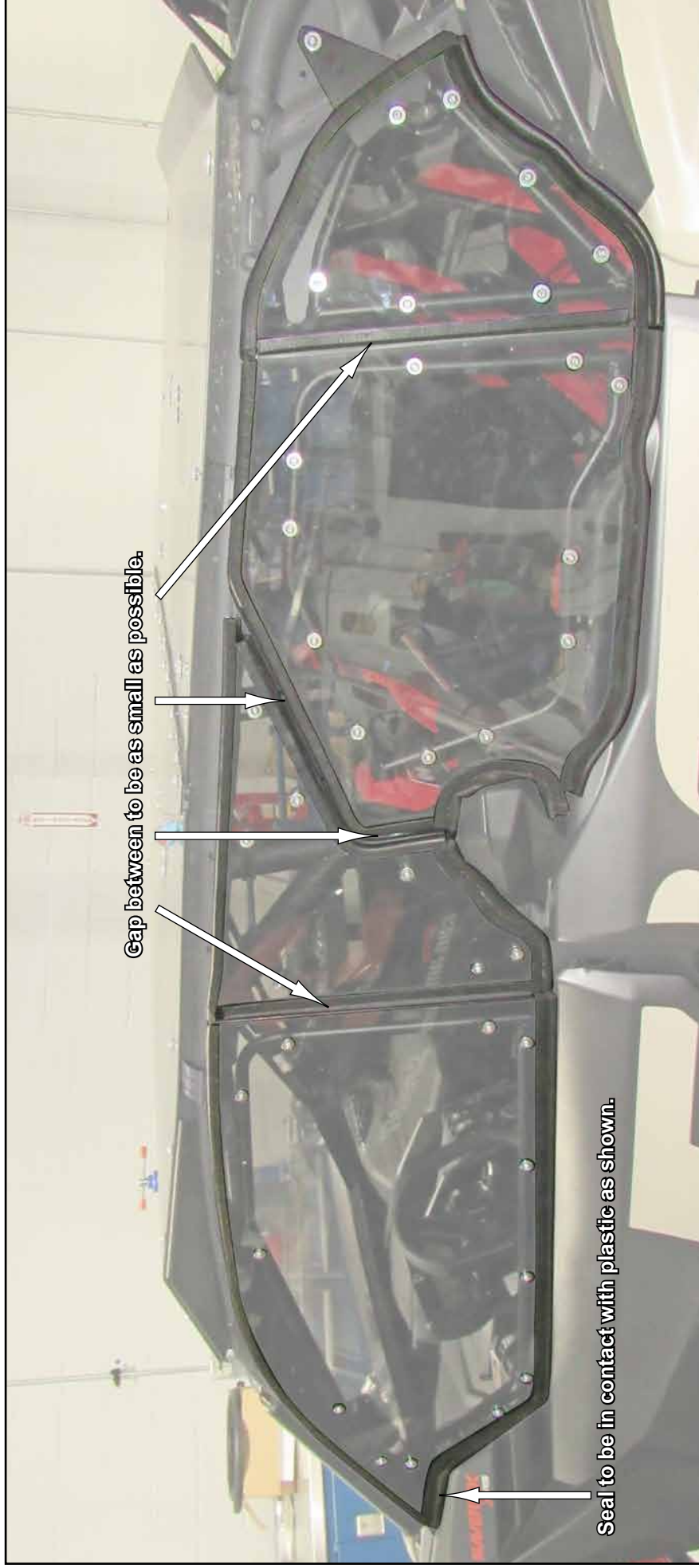


- Place Rear (A) - L onto machine.
- Secure Rear (A) - L to Bracket - L with hardware shown; do not tighten.



- Repeat steps for opposite side installation.
- See attached instructions and install -005 Doors.
- See attached instructions and install Door Handle Kit.

- Close Doors and engage Latches.
- Align Doors to machine and tighten hardware.



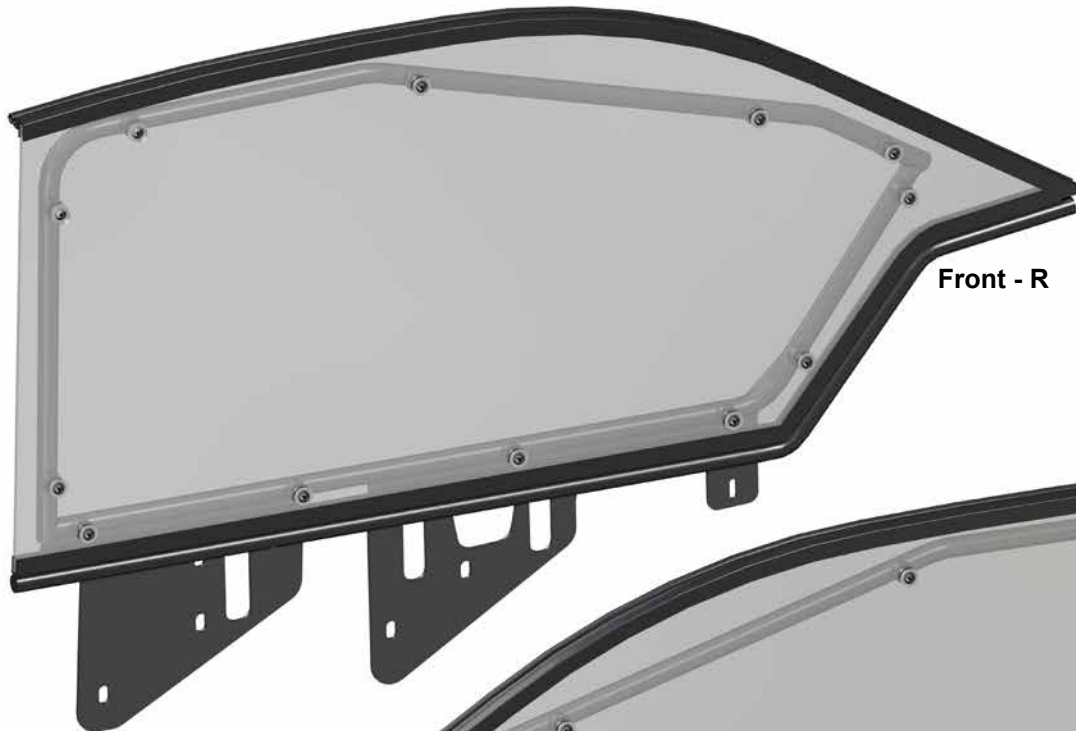
Gap between to be as small as possible.

Seal to be in contact with plastic as shown.

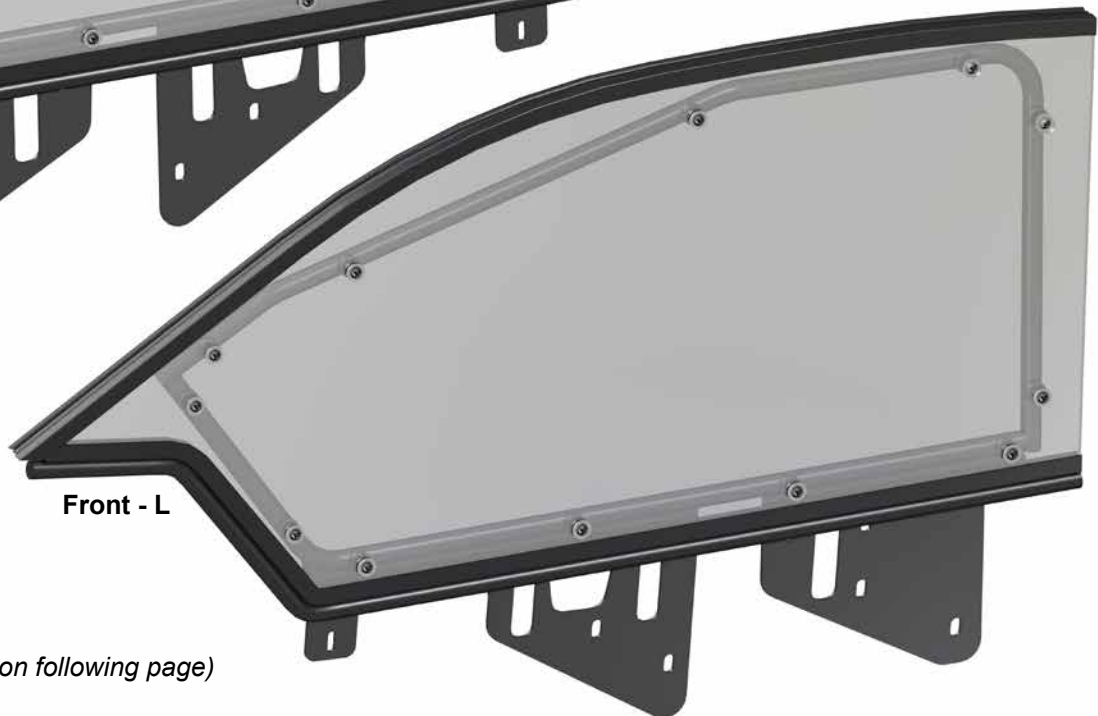
Do not discard packaging until product has been successfully installed.

Door Cleaning:

- Do not use Rain-X®, Plexus® or any other protector, wax, or polish.
 - Do not use window cleaning fluids (Windex, 409, etc) or any solvents (gasoline, denatured alcohol, acetone, etc).
 - Never use abrasive cleaners, abrasive pads, or gritty cloths.
 - Never use razor blades, scrapers, squeegees, brushes, etc.
1. Thoroughly rinse Doors to float off dirt and mud.
 2. Using a soft cloth, or microfiber cloth, clean Doors with warm water and a gentle detergent. Baby shampoo, rubbing alcohol, or hand washing soap can also be used.
 3. To prevent water spots, use a chamois to blot Doors dry.



Front - R



Front - L

(kit contents continue on following page)

Need help with your installation?



sales@superatv.com



www.superatv.com



1-855-743-3427



8:00am - 8:00pm EST M-Th
8:00am - 7:00pm EST Friday
9:00am - 2:00pm EST Saturday

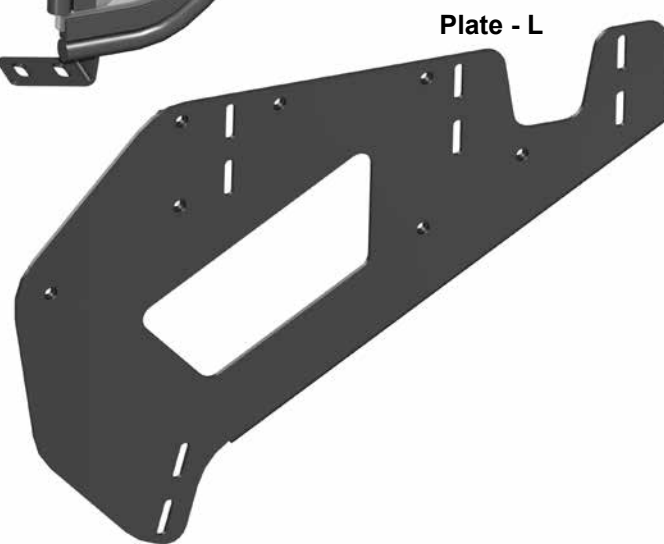
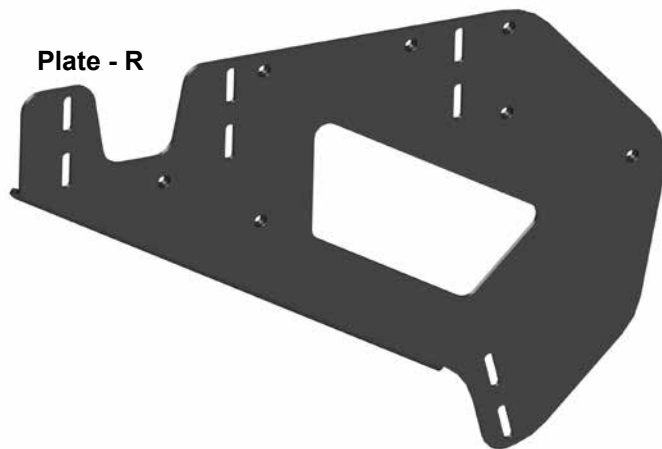
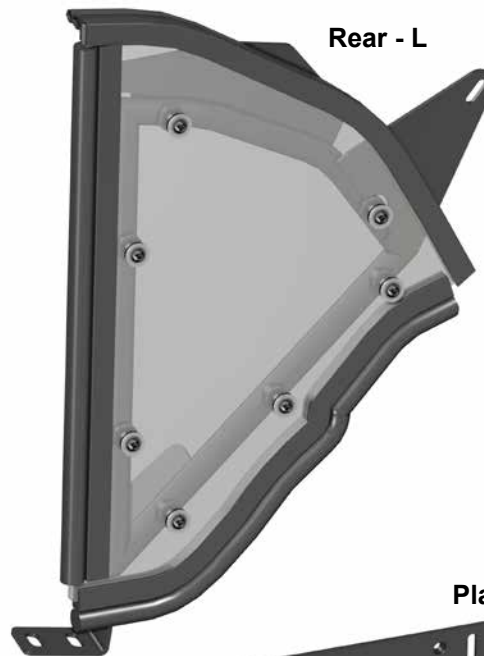
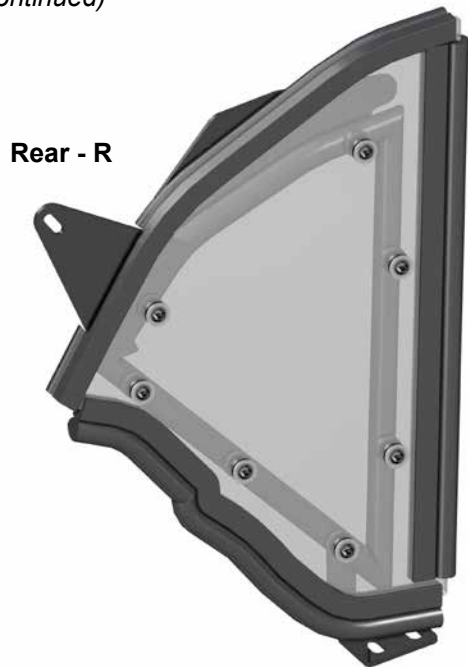
Read instructions and view illustrations before beginning.

Thank You

For Choosing

SUPERATV.COM

(kit contents continued)

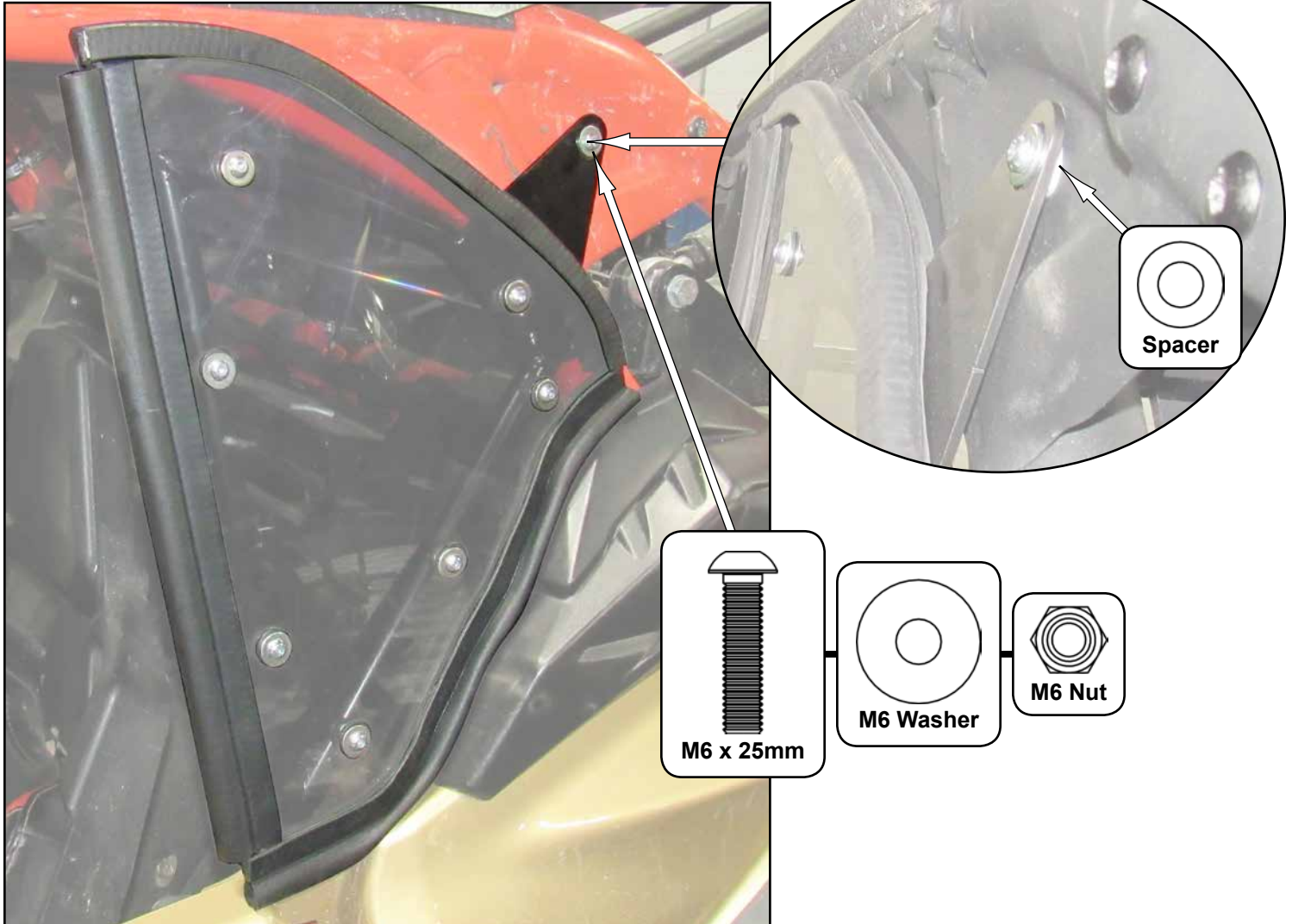


Driver side installation shown.

- Open Door and remove stock components shown.

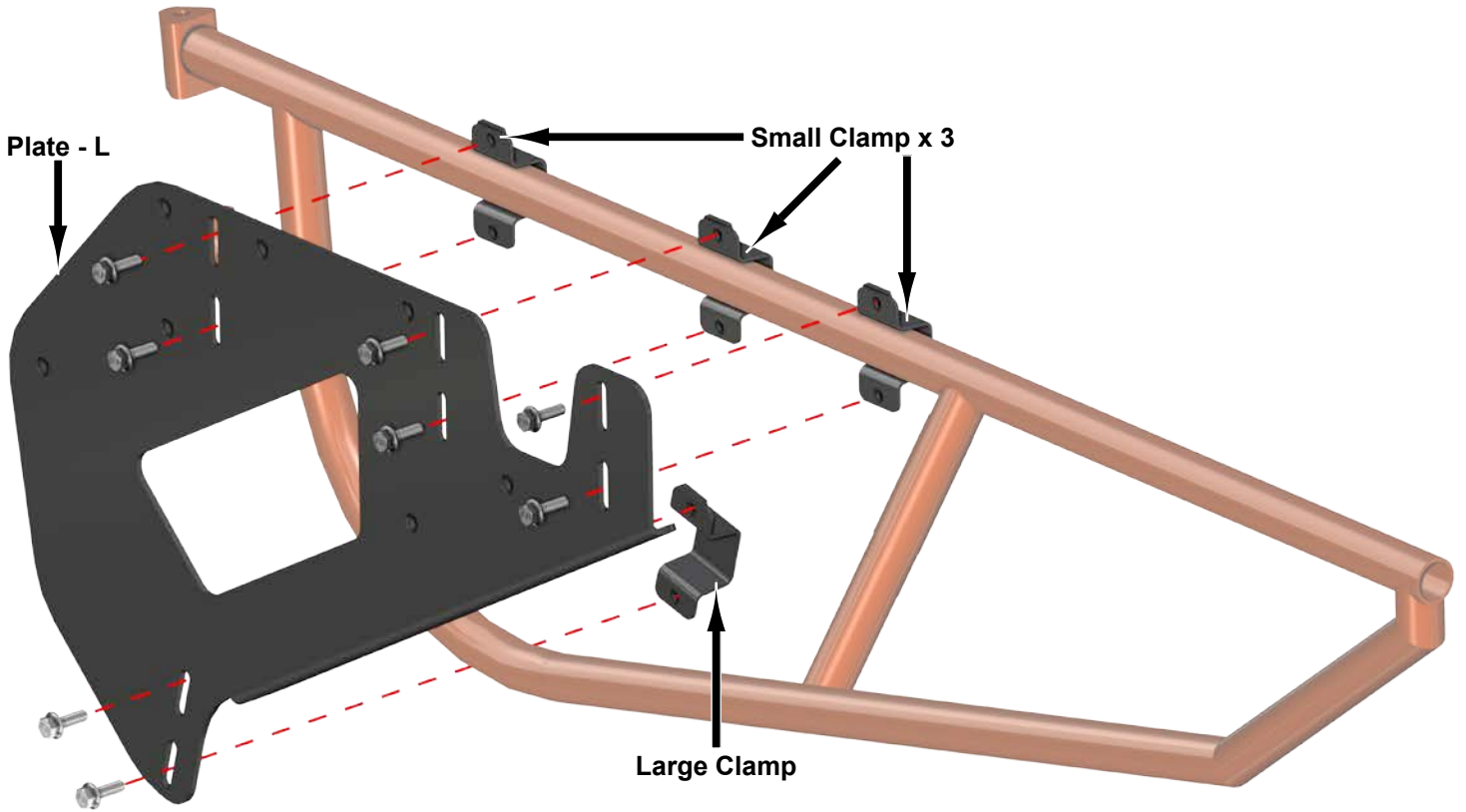


- Install Rear - L to machine with hardware shown; do not tighten.



- Secure Rear - L to machine with stock hardware; do not tighten.





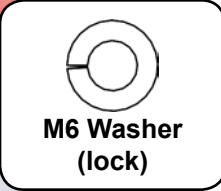
- Place Clamps onto Door in locations shown.
- Install Plate - L to Clamps with hardware shown; do not tighten.



8 each



M6 x 20mm



M6 Washer (lock)

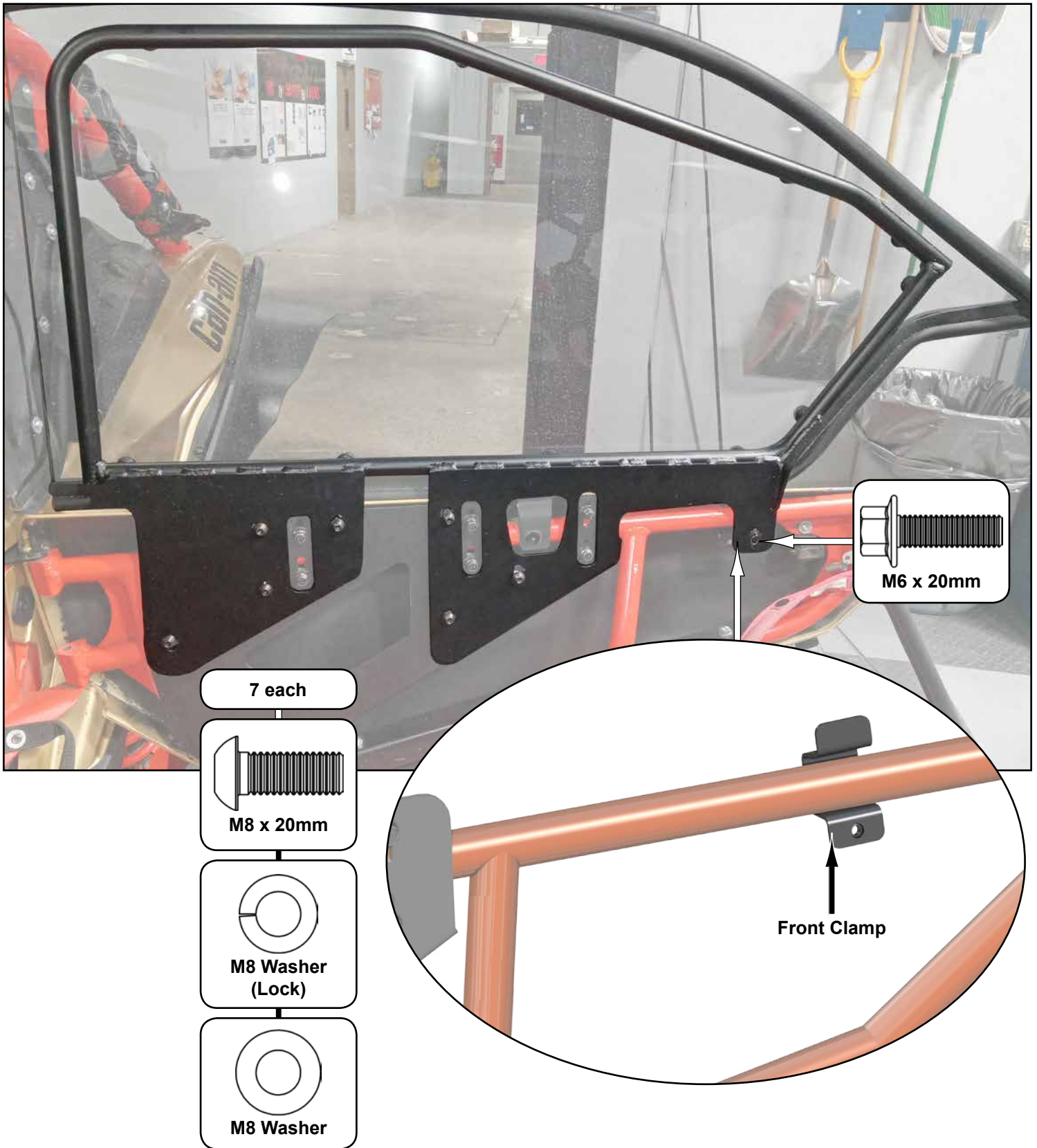


M6 Washer

- Place Front - L onto machine.



- Place Front Clamp onto Door in location shown.
- Secure Front - L to Front Clamp and Plate - L with hardware shown; do not tighten.

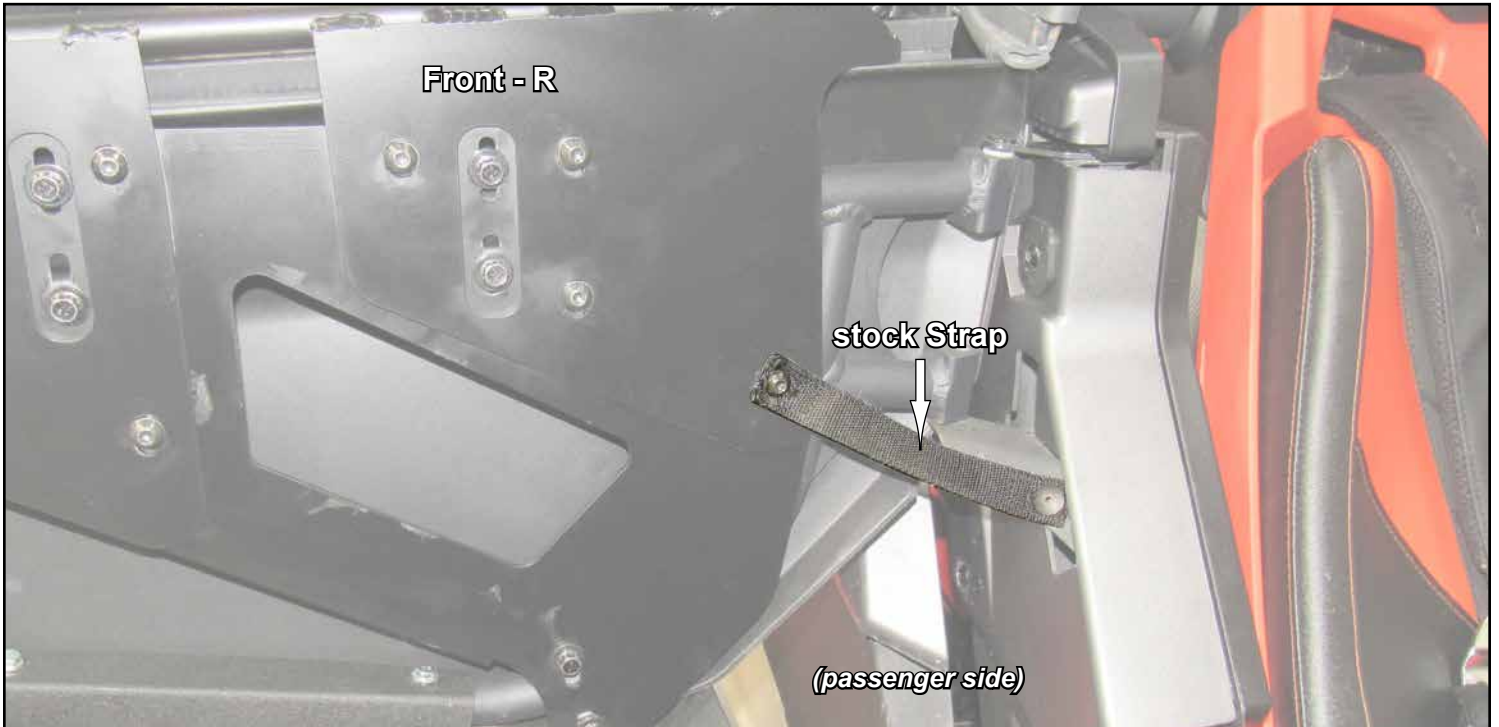


- Repeat steps for opposite side installation.
- See attached instructions and install Door Handle Kit.

- Close Door and engage Latch.
- Align Door to machine and tighten hardware.



- Install stock Straps to Fronts.



Liability Statement

SuperATV's® products are designed to best fit user's ATV/UTV under stock conditions. Adding, modifying, or fabricating any factory or aftermarket parts will void any warranty provided by SuperATV® and is not recommended. SuperATV's® products could interfere with other aftermarket accessories. If user has aftermarket products on machine, contact SuperATV® to verify that they will work together.

Although SuperATV® has thousands of satisfied customers, user should be aware that installing lift kits, long travel, or suspension kits, tires, etc. will change the ride of machine and may increase maintenance and part wear. Operating any off-road machine while, or after, consuming alcohol and/or drugs increases risk of bodily harm or death. No warranty or representation is made as to this product's ability to protect user from severe injury or death. SuperATV® urges operators and occupants to wear a helmet and appropriate riding gear at all times.

By purchasing and installing SuperATV® products, user agrees that should damages occur, SuperATV® will not be held responsible for loss of time, use, labor fees, replacement parts, or freight charges. SuperATV®, nor any 3rd party, will not be held responsible for any direct, indirect, incidental, special, or consequential damages that result from any product purchased from SuperATV®. The total liability of seller to user for all damages, losses, and causes of action, if any, shall not exceed the total purchase price paid for the product that gave rise to the claim.

SuperATV® will warranty only parts provided by SuperATV®. Any damage or problems with OEM housings, bearings, seals, or other manufacturers' products will not be covered by SuperATV®. SuperATV® parts and products are not warrantied if item was not installed properly, misused, or modified.

Installing, adding, modifying, or fabricating any factory or aftermarket product to your ATV/UTV may violate certain local, state, and federal laws. Be advised that laws vary depending on town, city, county, state, etc. Use of certain products on public streets, roads, or highways may be in violation law. The Buyer is solely and exclusively legally and personally responsible for any violation of the law by the installation or use of the product. You must abide by all local, state, and federal laws, including but not limited to vehicle safety, traffic laws, and ordinances. It is your responsibility to know the laws and how they apply to you.

The Buyer is responsible to fully understand the capability and limitations of his/her vehicle according to manufacturer specifications, warnings and instructions and agrees to hold SuperATV® harmless from any damage resulting from failure to adhere to such specifications, warnings and/ or instructions. The Buyer is also responsible to obey all applicable federal, state, and local laws and ordinances when operating his/her vehicle while using this product, and the Buyer agrees to hold SuperATV® harmless from any violation thereof.

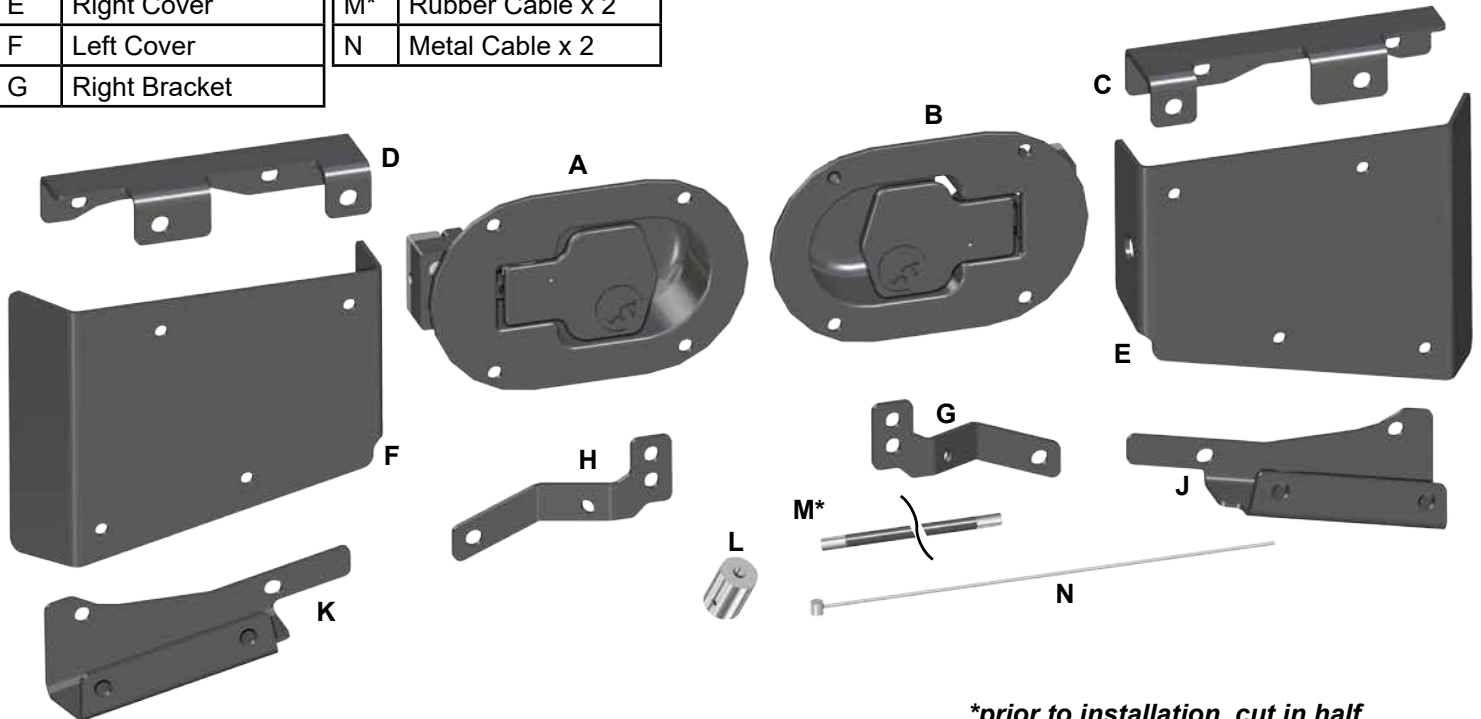
INSTALLATION INSTRUCTIONS

Door Handle Kit: for Can-Am Maverick X3

Item	Description	Item	Description
A	Left Handle	H	Left Bracket
B	Right Handle	J	Right Lower
C	Right Upper	K	Left Lower
D	Left Upper	L	Conduit x 2
E	Right Cover	M*	Rubber Cable x 2
F	Left Cover	N	Metal Cable x 2
G	Right Bracket		

Do not discard packaging until product has been successfully installed.

Driver side installation shown.



**prior to installation, cut in half.*

Liability Statement

SuperATV's® products are designed to best fit user's ATV/UTV under stock conditions. Adding, modifying, or fabricating any factory or aftermarket parts will void any warranty provided by SuperATV® and is not recommended. SuperATV's® products could interfere with other aftermarket accessories. If user has aftermarket products on machine, contact SuperATV® to verify that they will work together.

Although SuperATV® has thousands of satisfied customers, user should be aware that installing lift kits, long travel, or suspension kits, tires, etc. will change the ride of machine and may increase maintenance and part wear. Operating any off-road machine while, or after, consuming alcohol and/or drugs increases risk of bodily harm or death. No warranty or representation is made as to this product's ability to protect user from severe injury or death. SuperATV® urges operators and occupants to wear a helmet and appropriate riding gear at all times.

By purchasing and installing SuperATV® products, user agrees that should damages occur, SuperATV® will not be held responsible for loss of time, use, labor fees, replacement parts, or freight charges. SuperATV®, nor any 3rd party, will not be held responsible for any direct, indirect, incidental, special, or consequential damages that result from any product purchased from SuperATV®. The total liability of seller to user for all damages, losses, and causes of action, if any, shall not exceed the total purchase price paid for the product that gave rise to the claim.

SuperATV® will warranty only parts provided by SuperATV®. Any damage or problems with OEM housings, bearings, seals, or other manufacturers' products will not be covered by SuperATV®. SuperATV® parts and products are not warranted if item was not installed properly, misused, or modified.

Installing, adding, modifying, or fabricating any factory or aftermarket product to your ATV/UTV may violate certain local, state, and federal laws. Be advised that laws vary depending on town, city, county, state, etc. Use of certain products on public streets, roads, or highways may be in violation law. The Buyer is solely and exclusively legally and personally responsible for any violation of the law by the installation or use of the product. You must abide by all local, state, and federal laws, including but not limited to vehicle safety, traffic laws, and ordinances. It is your responsibility to know the laws and how they apply to you.

The Buyer is responsible to fully understand the capability and limitations of his/her vehicle according to manufacturer specifications, warnings and instructions and agrees to hold SuperATV® harmless from any damage resulting from failure to adhere to such specifications, warnings and/ or instructions. The Buyer is also responsible to obey all applicable federal, state, and local laws and ordinances when operating his/her vehicle while using this product, and the Buyer agrees to hold SuperATV® harmless from any violation thereof.

Need help with your installation?

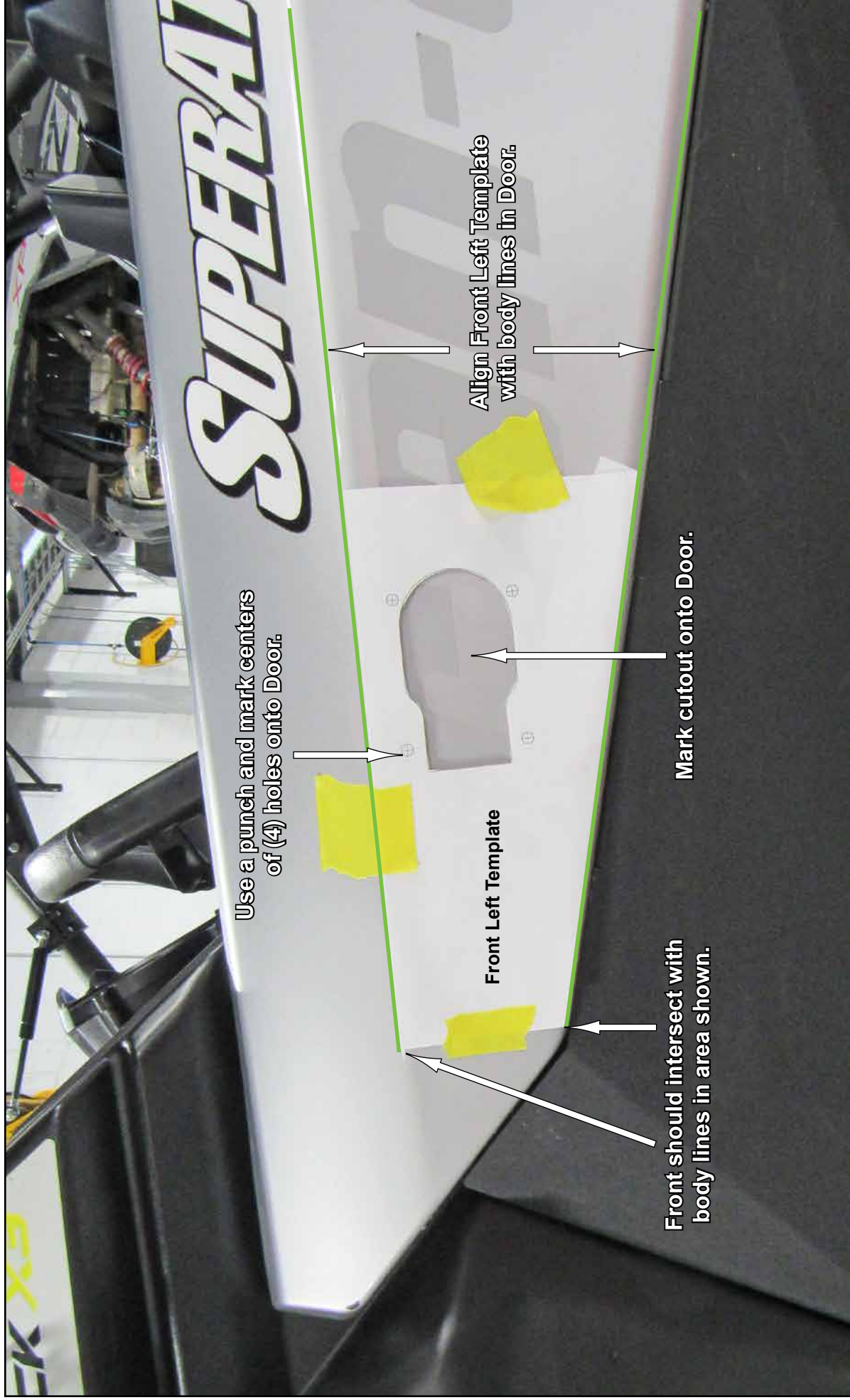
 sales@superatv.com
  www.superatv.com
 1-855-743-3427
  8:00am - 8:00pm EST M-Th
 8:00am - 7:00pm EST Friday
 9:00am - 2:00pm EST Saturday

Read instructions and view illustrations before beginning.





- Secure applicable Template onto Door. Templates are located at end of instructions.



- Remove Template.
- Cut out material from Door; SuperATV used a jigsaw for this purpose.
- Drill (4) holes through Door. Holes to be large enough for Ø5mm bolts.

- Secure applicable Template onto Door. Templates are located at end of instructions.

Use a punch and mark centers of (4) holes onto Door.

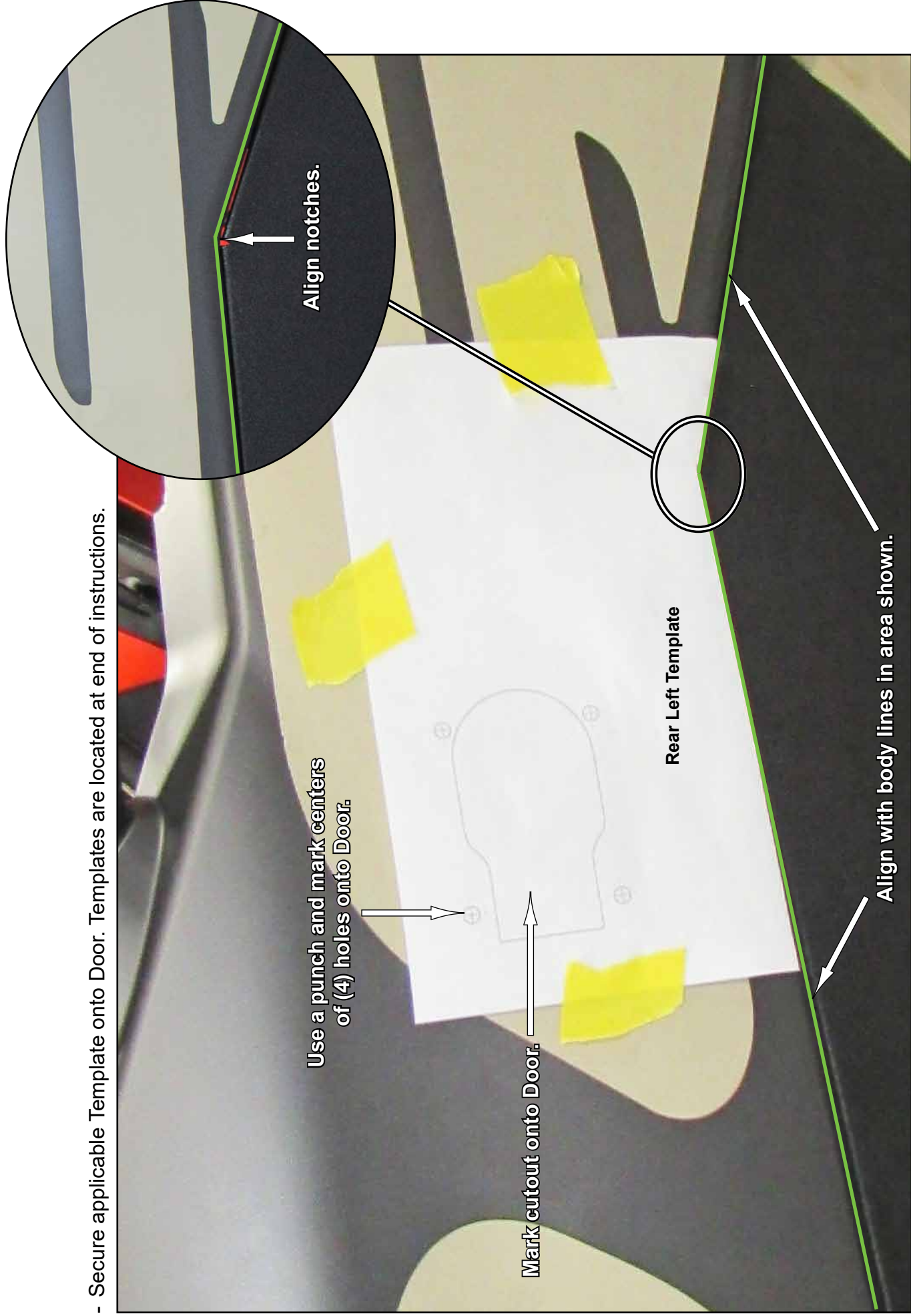
Mark cutout onto Door.

Rear Left Template

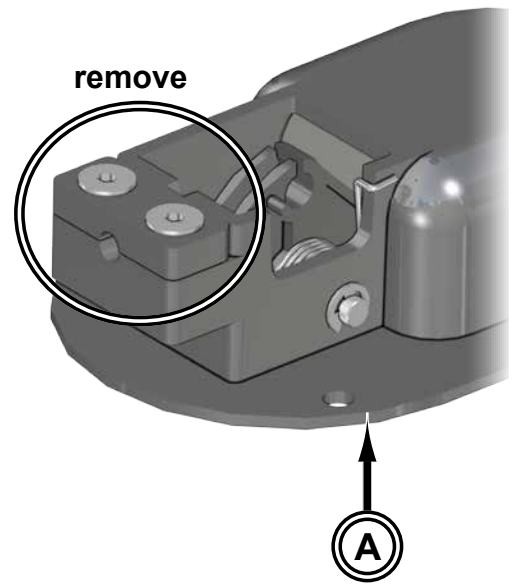
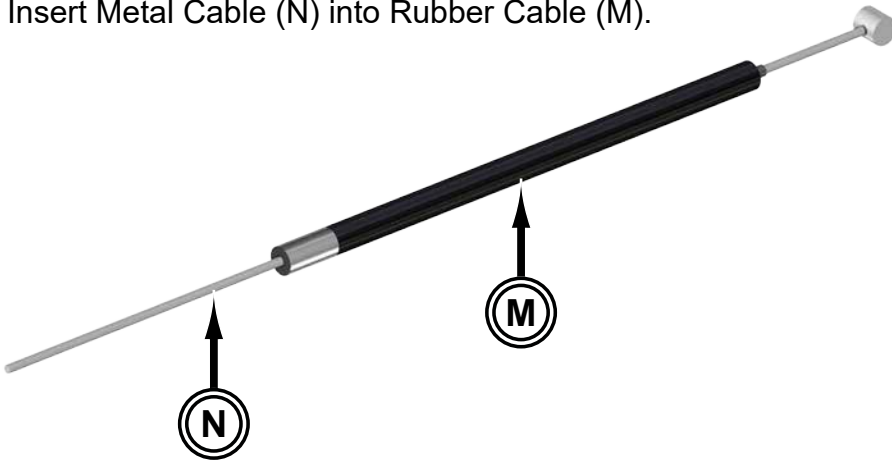
Align notches.

Align with body lines in area shown.

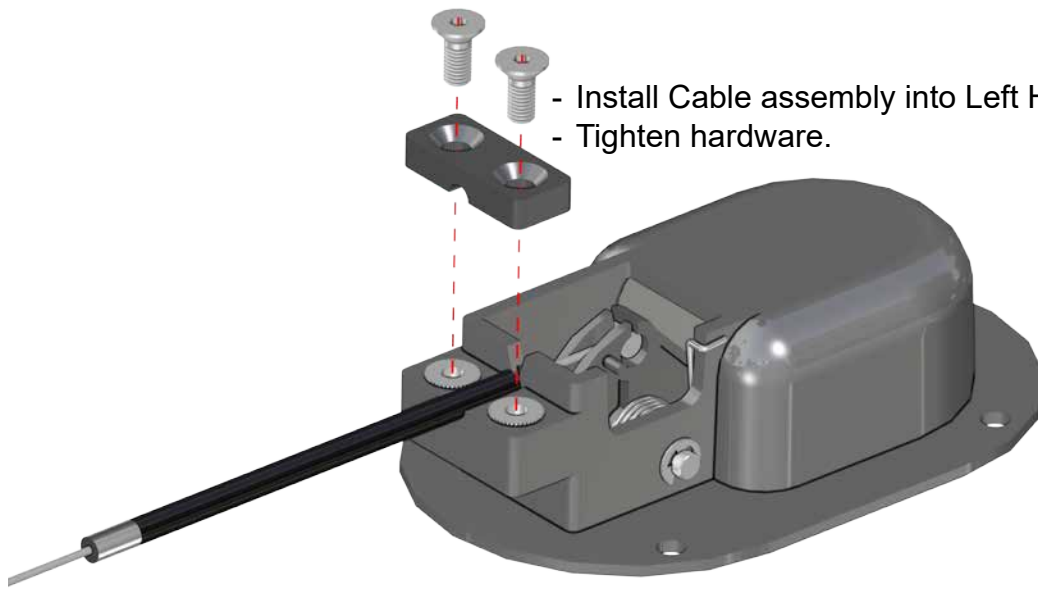
- Remove Template.
- Cut out material from Door; SuperATV used a jigsaw for this purpose.
- Drill (4) holes through Door. Holes to be large enough for Ø5mm bolts.



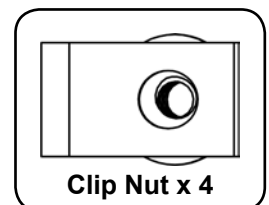
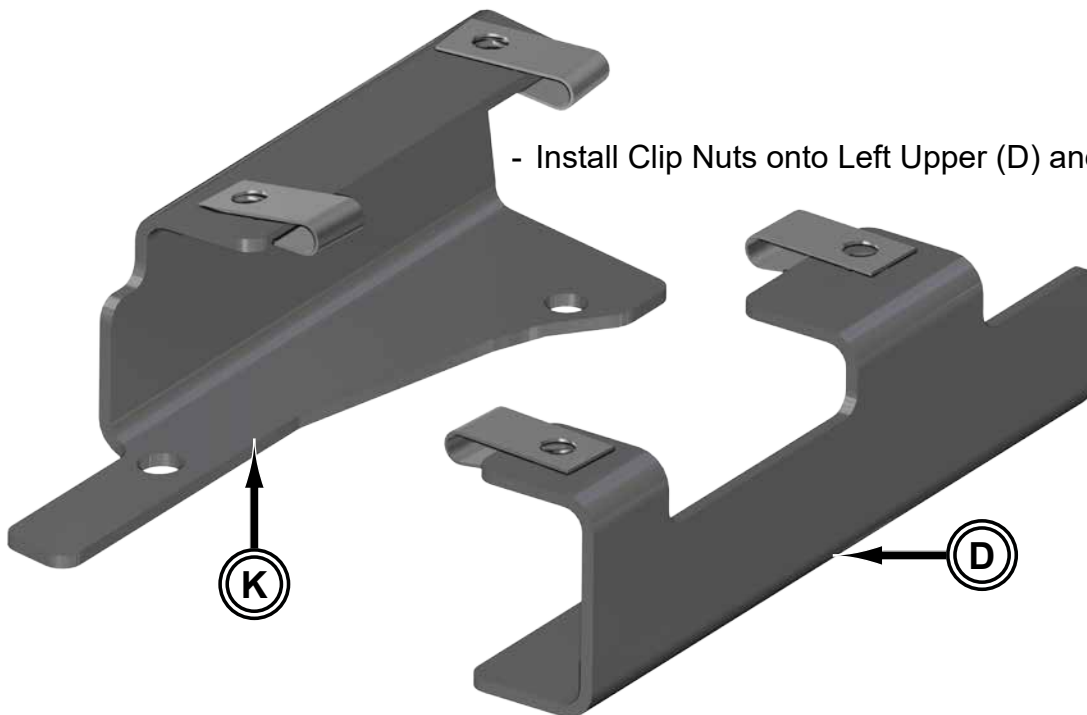
- Insert Metal Cable (N) into Rubber Cable (M).

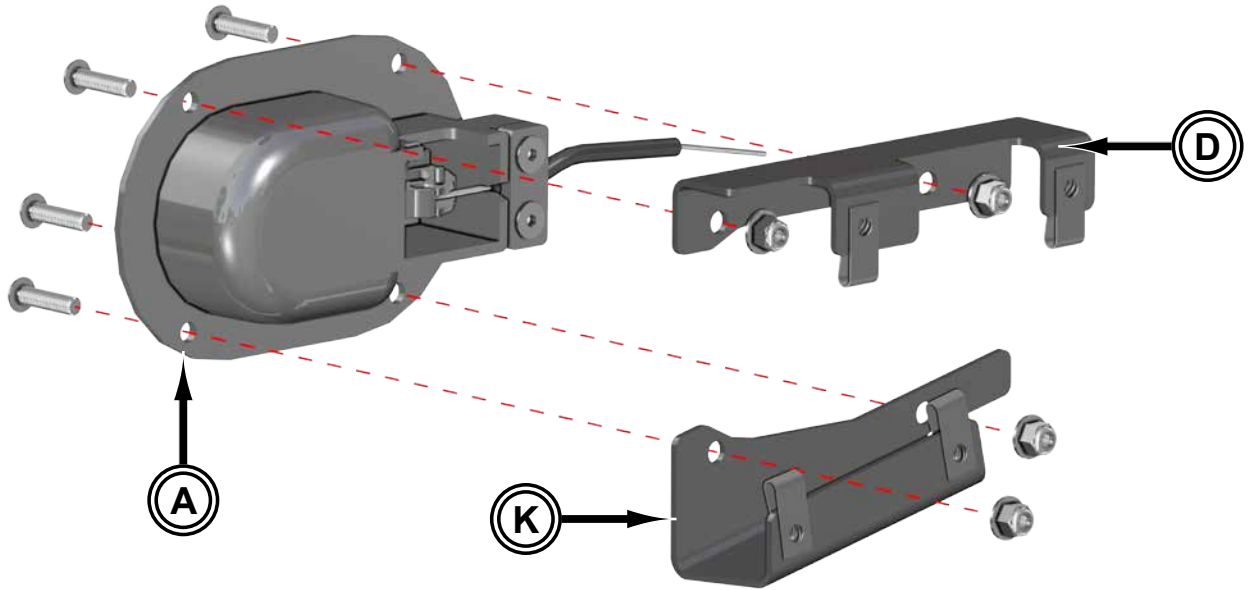
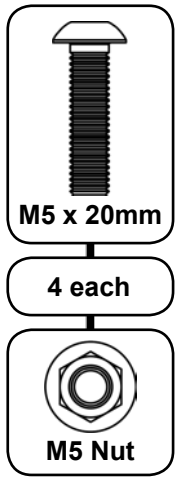


- Install Cable assembly into Left Handle (A).
- Tighten hardware.

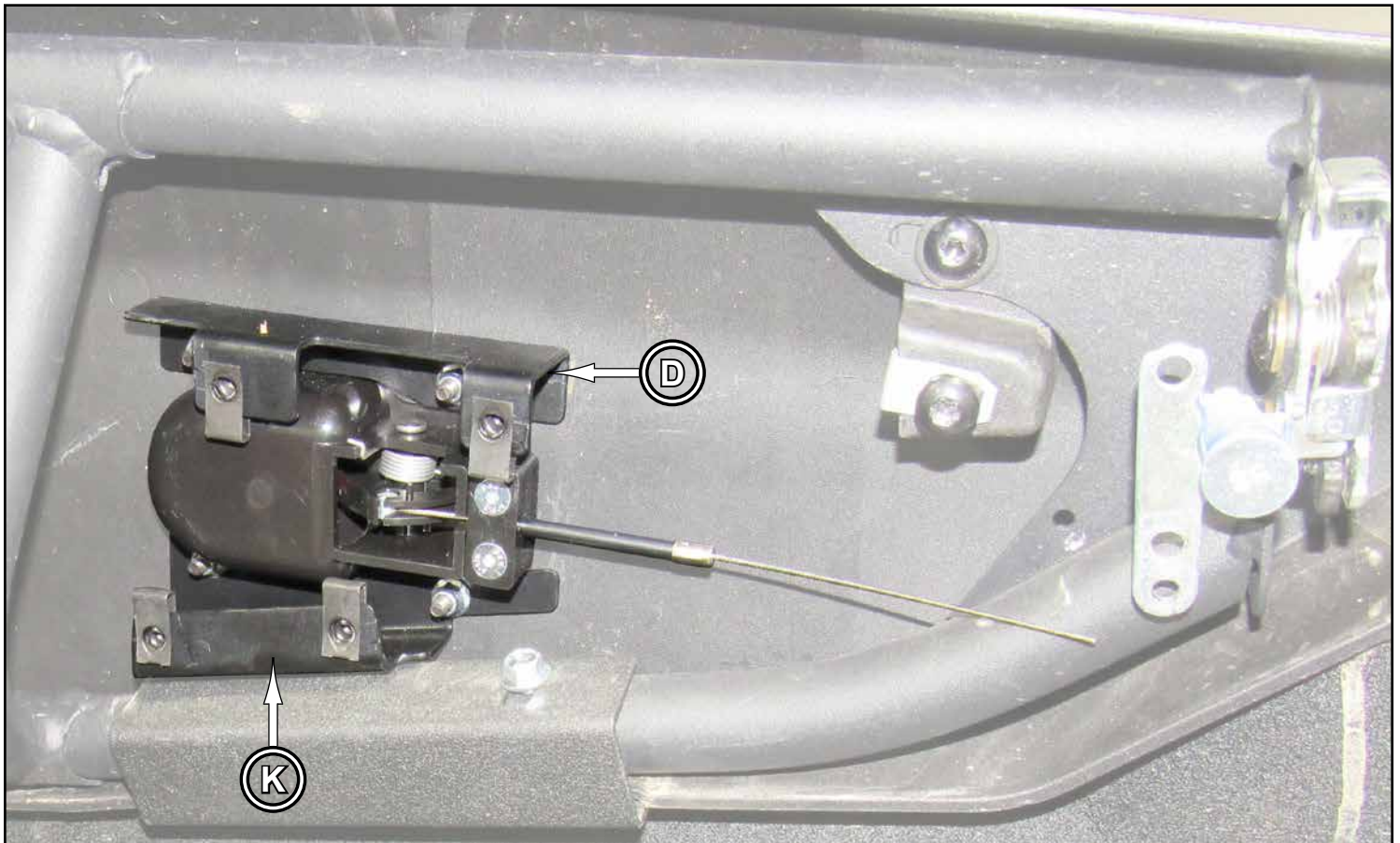


- Install Clip Nuts onto Left Upper (D) and Left Lower (K).

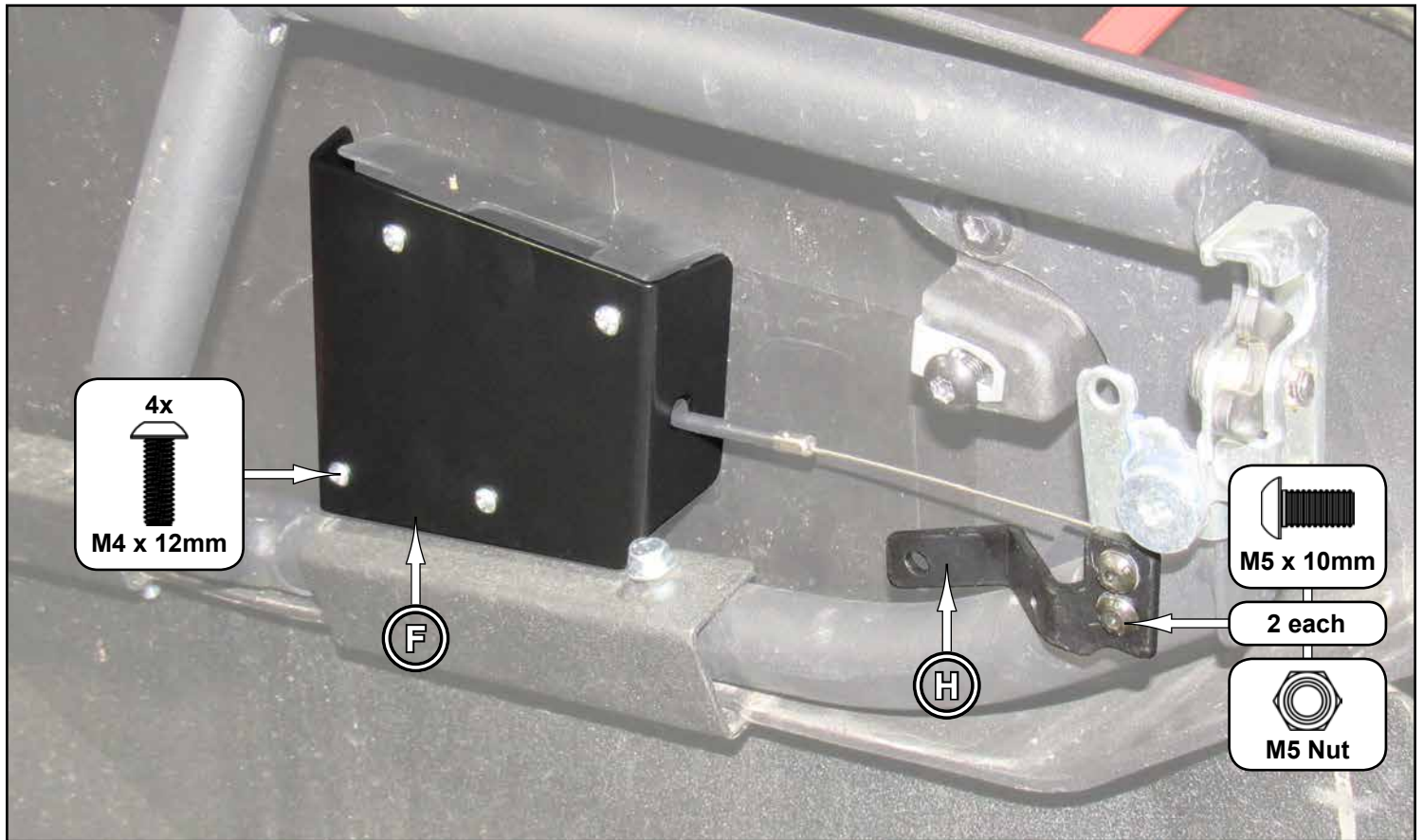




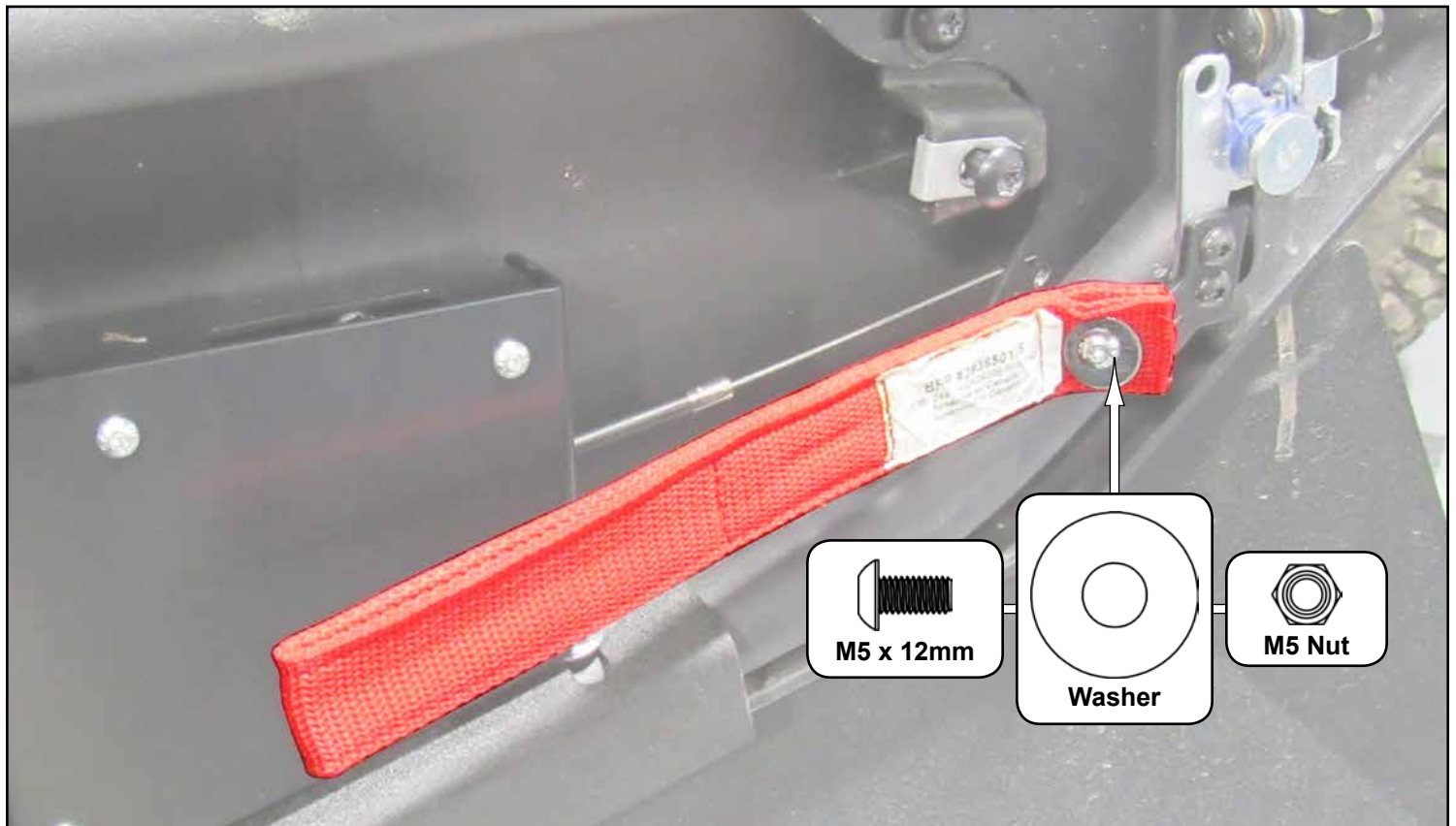
- Secure Left Handle (A), Left Upper (D), and Left Lower (K) with hardware shown; tighten hardware.



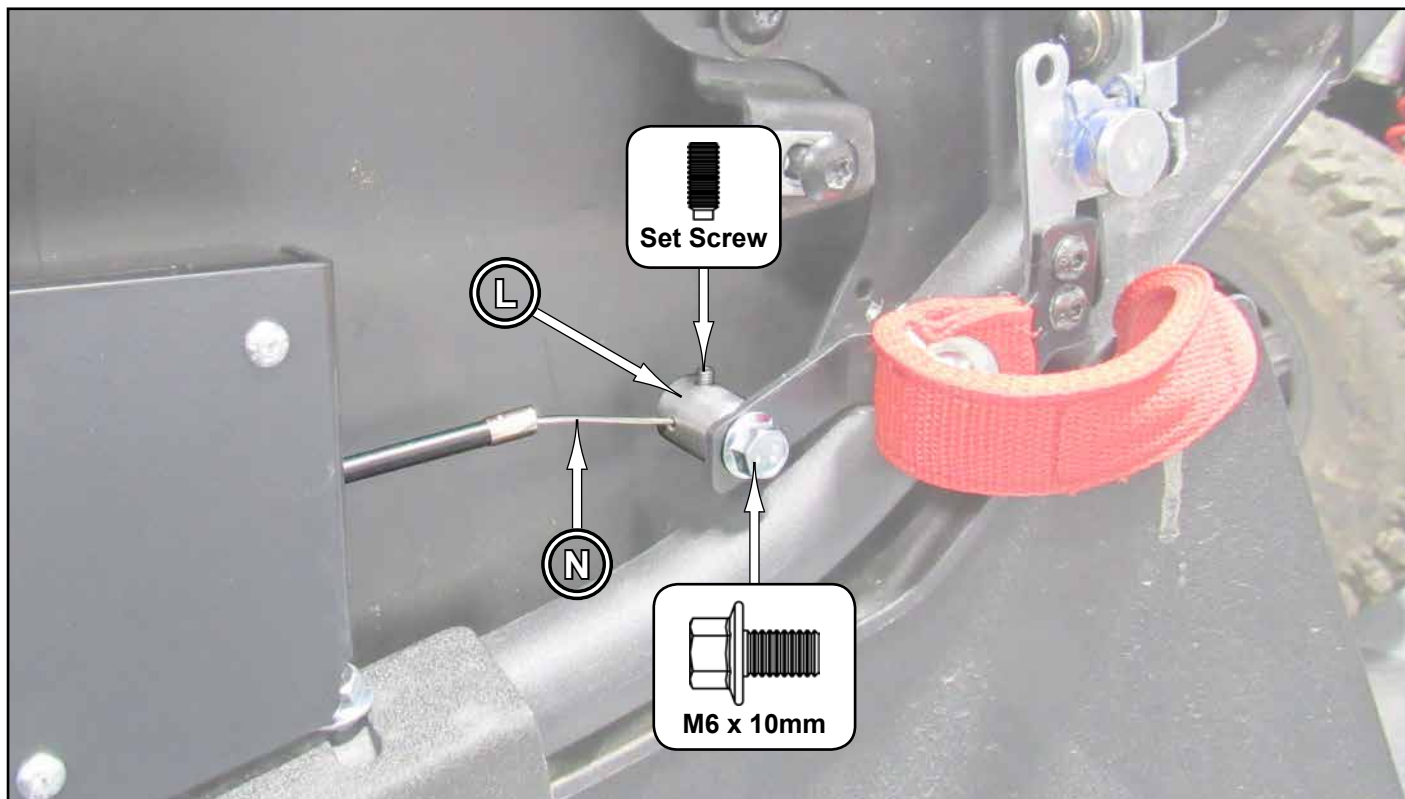
- Install Left Cover (F) with hardware shown; tighten hardware.
- Install Left Bracket (H) to stock Latch with hardware shown; tighten hardware.



- Install Strap to Left Bracket (H) with hardware shown; tighten hardware.



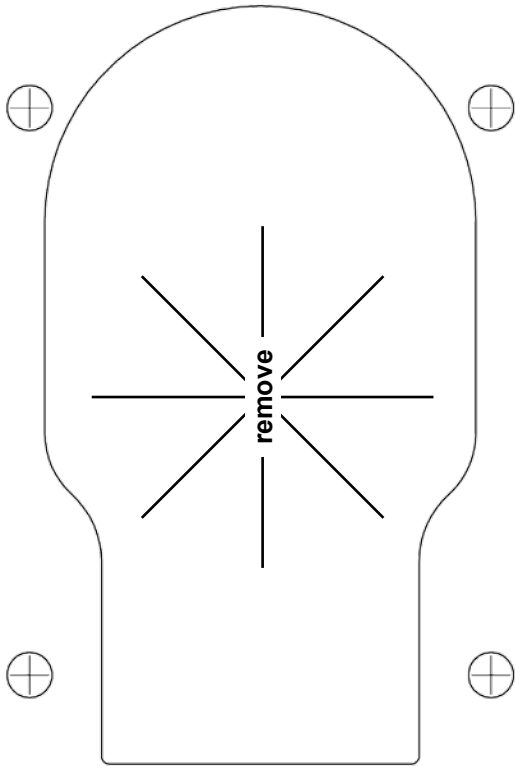
- Install Conduit (L) to Left Bracket (H) with hardware shown; tighten hardware.
- Feed Metal Cable (N) through Conduit (L) and secure with Set Screw; tighten.



- Repeat steps for remaining Doors.

Front Left Template

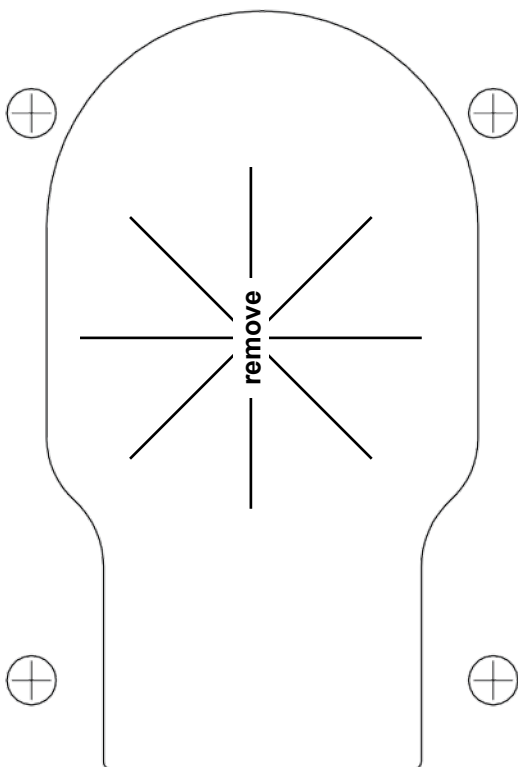
follow dotted line and fold over



follow dotted line and fold over

this page intentionally blank

Rear Left Template



follow dotted line and fold over

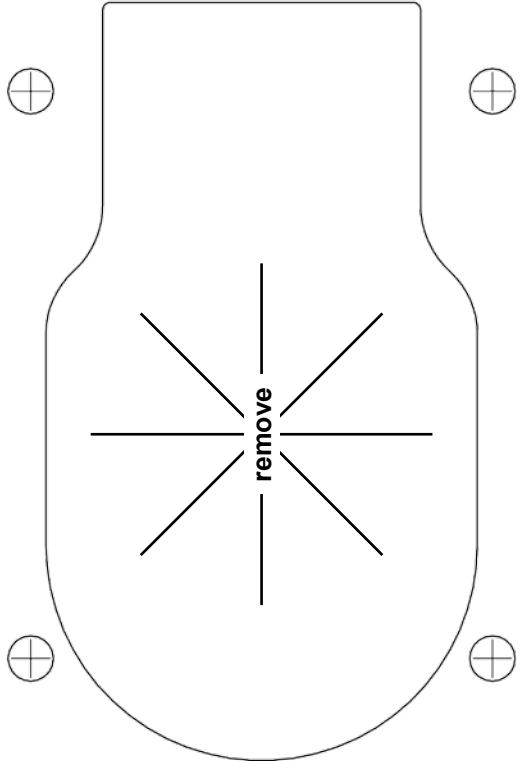
follow dotted line and fold over

cut

this page intentionally blank

Front Right Template

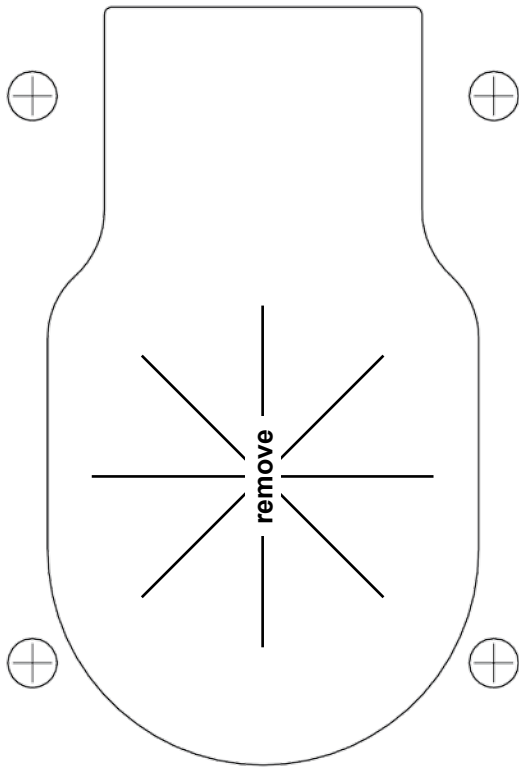
follow dotted line and fold over



follow dotted line and fold over

this page intentionally blank

Rear Right Template



follow dotted line and fold over

cut

follow dotted line
and fold over

this page intentionally blank