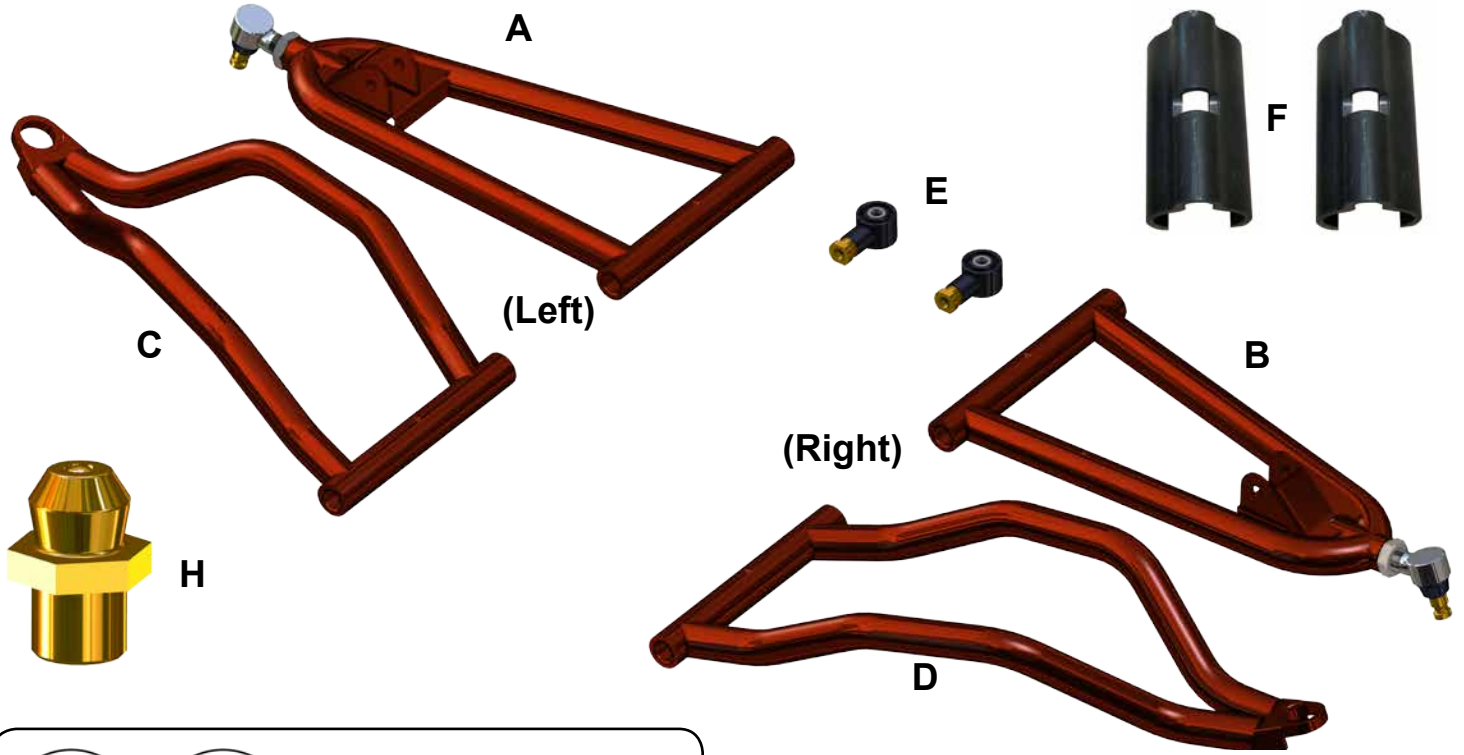


INSTALLATION INSTRUCTIONS
Front 1.5" Offset High Clearance A-Arms:
for Polaris RZR[®] S

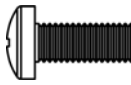
A Press or Ball Joint tool is required to remove and install Ball Joints.

Item	Description	Qty
A	Upper A-Arm, Left	1
B	Upper A-Arm, Right	1
C	Lower A-Arm, Left	1
D	Lower A-Arm, Right	1

Item	Description	Qty
E	Tie Rod Ends	2
F	Brake Line Clips	2
G	M5-.8 x 13mm Lg. PHMS	2
H	Grease Fittings	4



 **Aftermarket Shocks may require usage of provided Spacers.**

G  **M5 x 13mm Lg. PHMS**

Need help with your installation?

 sales@superatv.com  www.superatv.com

 1-855-743-3427  8:00am - 9:00pm EST M-Th
 8:00am - 7:00pm EST Friday
 9:00am - 2:00pm EST Saturday

Read instructions and view illustrations before beginning.

Thank You
For Choosing
SUPERATV.COM[®]

Liability Statement

SuperATV's® products are designed to best fit user's ATV/UTV under stock conditions. Adding, modifying, or fabricating any factory or aftermarket parts will void any warranty provided by SuperATV® and is not recommended. SuperATV's® products could interfere with other aftermarket accessories. If user has aftermarket products on machine, contact SuperATV® to verify that they will work together.

Although SuperATV® has thousands of satisfied customers, user should be aware that installing lift kits, long travel, or suspension kits, tires, etc. will change the ride of machine and may increase maintenance and part wear. Operating any off-road machine while, or after, consuming alcohol and/or drugs increases risk of bodily harm or death. No warranty or representation is made as to this product's ability to protect user from severe injury or death. SuperATV® urges operators and occupants to wear a helmet and appropriate riding gear at all times.

By purchasing and installing SuperATV® products, user agrees that should damages occur, SuperATV® will not be held responsible for loss of time, use, labor fees, replacement parts, or freight charges. SuperATV®, nor any 3rd party, will not be held responsible for any direct, indirect, incidental, special, or consequential damages that result from any product purchased from SuperATV®. The total liability of seller to user for all damages, losses, and causes of action, if any, shall not exceed the total purchase price paid for the product that gave rise to the claim.

SuperATV® will warranty only parts provided by SuperATV®. Any damage or problems with OEM housings, bearings, seals, or other manufacturers' products will not be covered by SuperATV®. SuperATV® parts and products are not warranted if item was not installed properly, misused, or modified.

Installing, adding, modifying, or fabricating any factory or aftermarket product to your ATV/UTV may violate certain local, state, and federal laws. Be advised that laws vary depending on town, city, county, state, etc. Use of certain products on public streets, roads, or highways may be in violation law. The Buyer is solely and exclusively legally and personally responsible for any violation of the law by the installation or use of the product. You must abide by all local, state, and federal laws, including but not limited to vehicle safety, traffic laws, and ordinances. It is your responsibility to know the laws and how they apply to you.

The Buyer is responsible to fully understand the capability and limitations of his/her vehicle according to manufacturer specifications, warnings and instructions and agrees to hold SuperATV® harmless from any damage resulting from failure to adhere to such specifications, warnings and/ or instructions. The Buyer is also responsible to obey all applicable federal, state, and local laws and ordinances when operating his/her vehicle while using this product, and the Buyer agrees to hold SuperATV® harmless from any violation thereof.

Do not tighten hardware completely unless noted. Keep all stock hardware.

1. Raise Front of machine off ground, secure with jack stands.
 - Remove Wheels.
 - Remove Brake Calipers from Spindles and hang out of way.
 - Remove Tie Rods from Spindles.
 - Unbolt Shocks from Upper A-Arms.
 - Remove Spindles.
2. Remove stock Upper and Lower A-Arms from Frame.
3. Transfer stock Ball Joints and Bushings, or install SuperATV Poly Bushing Kit AAB-P-RZR, into new A-Arms. See Fig. 1.

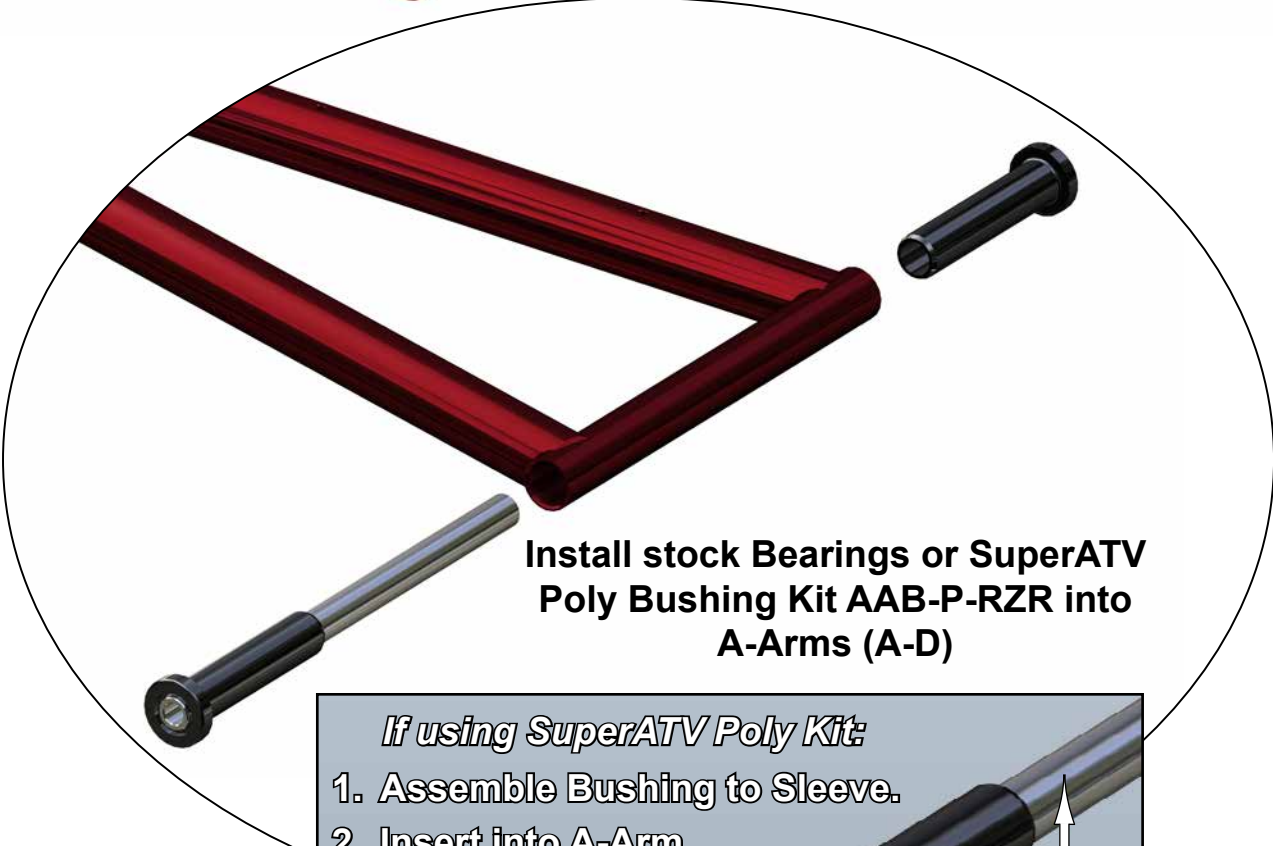
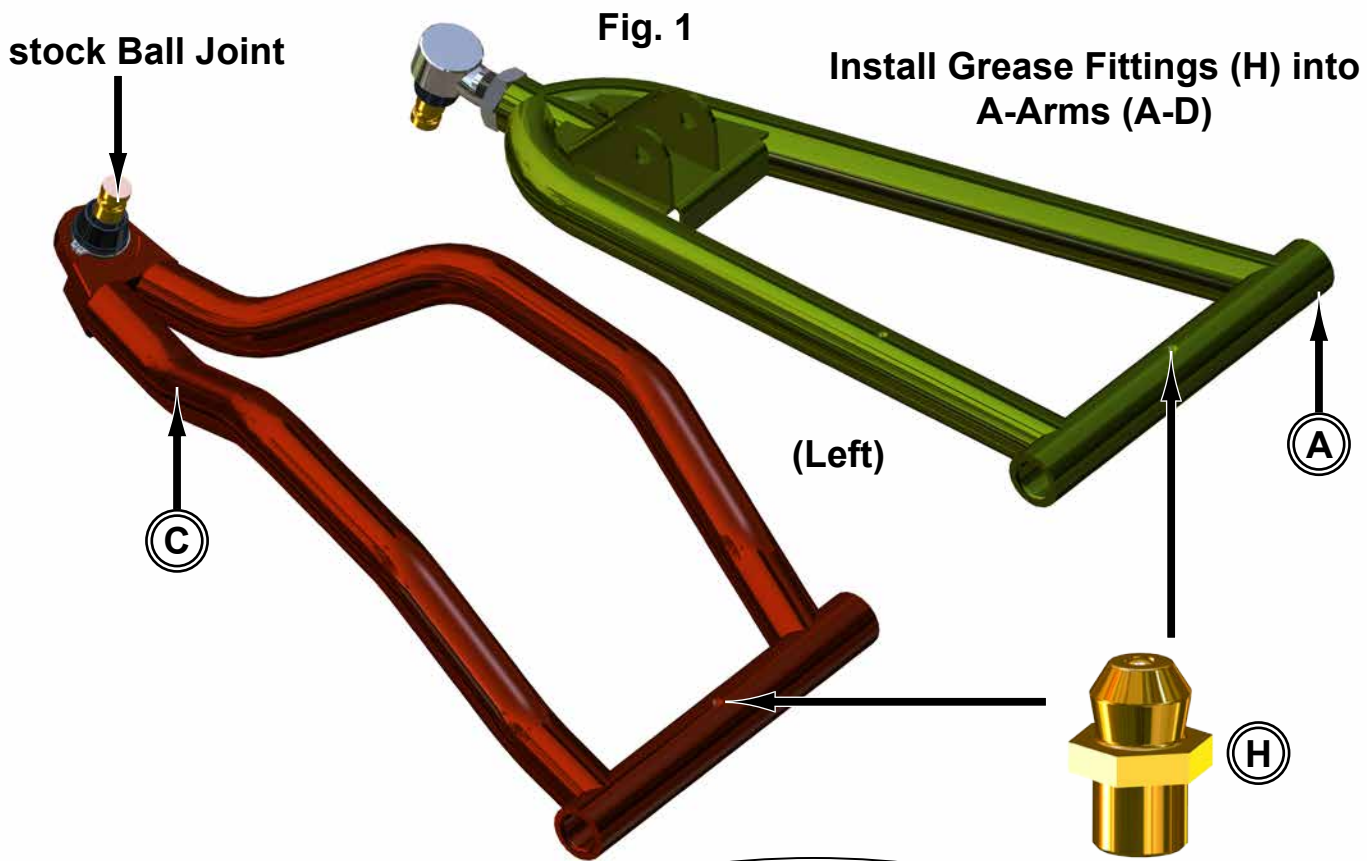
Proceed to Steering Stop Installation or go to Step 4.

OPTIONAL STEERING STOP KIT

Using Steering Stop Kit will prevent over extension of Axles, when in reverse under hard throttle, by limiting steering range.

4. Install A-Arms (A-D) to machine with stock hardware. SuperATV recommends using Loc-Tite on Nuts when installing.
5. Remove stock Tie Rod Ends from Tie Rods and replace with Tie Rod Ends (E). Use stock hardware when installing to Spindles. See Fig. 2.
6. Secure Brake Lines with Brake Line Clips (F) and M5-.8 x 13mm Lg. HHCS (G). See Fig. 3.
7. Reinstall necessary components and tighten all hardware securely.
8. Due to shift in Wheels, because of new offset A-Arms, adjust Toe.

(installation illustrations begin on following page)

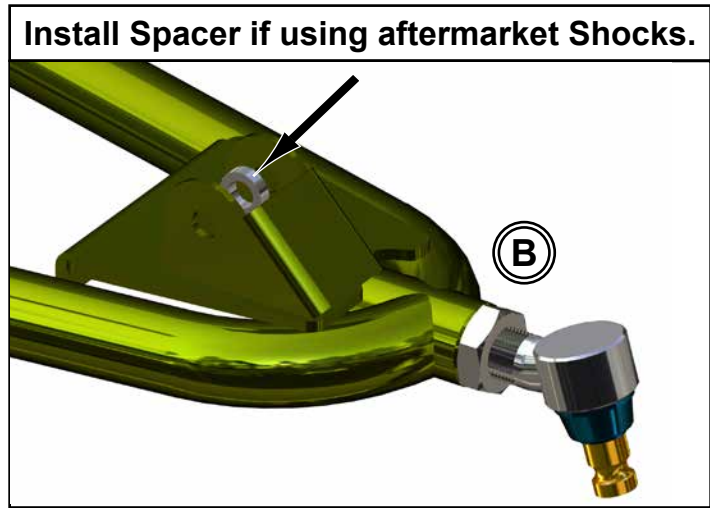
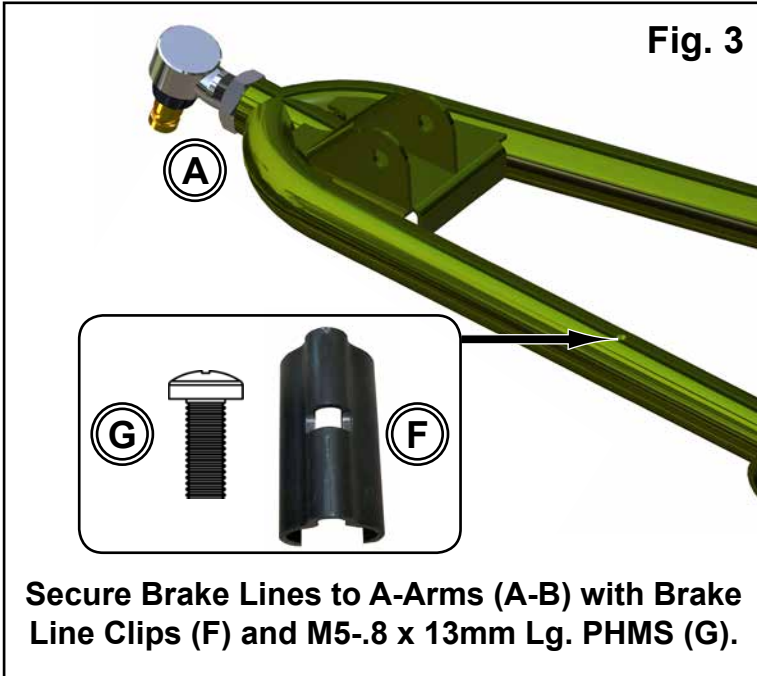
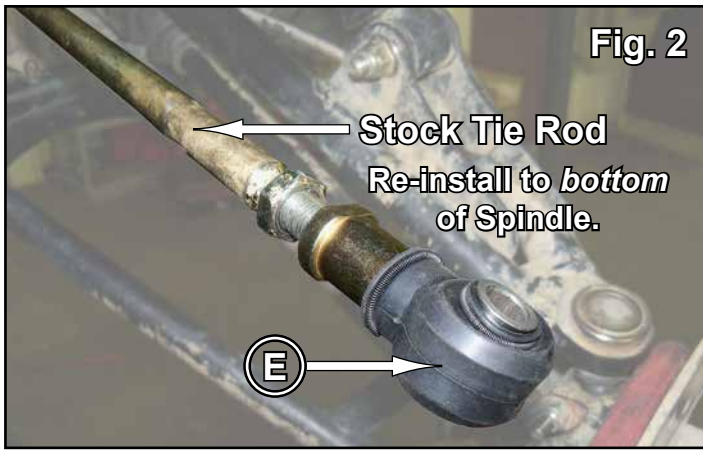


If using SuperATV Poly Kit:

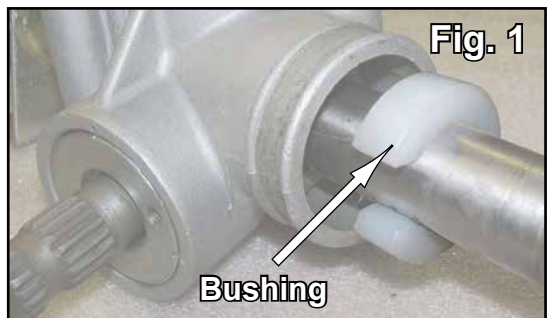
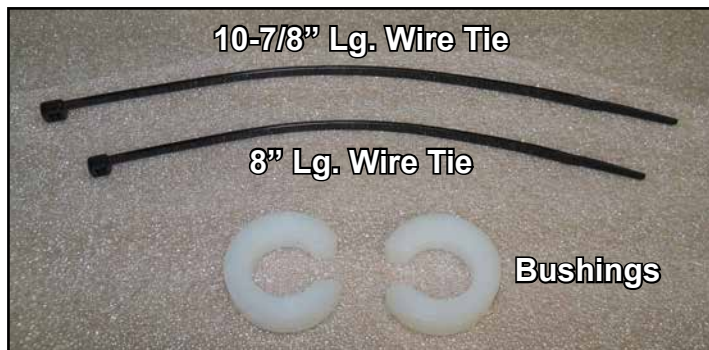
1. Assemble Bushing to Sleeve.
2. Insert into A-Arm.
3. Install Bushing.

Bushing

Sleeve



Steering Stop Installation (Rack and Pinion shown off machine for clarity)



- Note: Driver Side installation is shown.*
1. Unclamp and slide Boot away from Steering Gear Box.
 2. Install Bushings onto shaft. See Fig. 1.
 3. Reinstall Boot with 10-7/8" Lg. Wire Tie. See Fig. 1a.
- Repeat steps for opposite side.

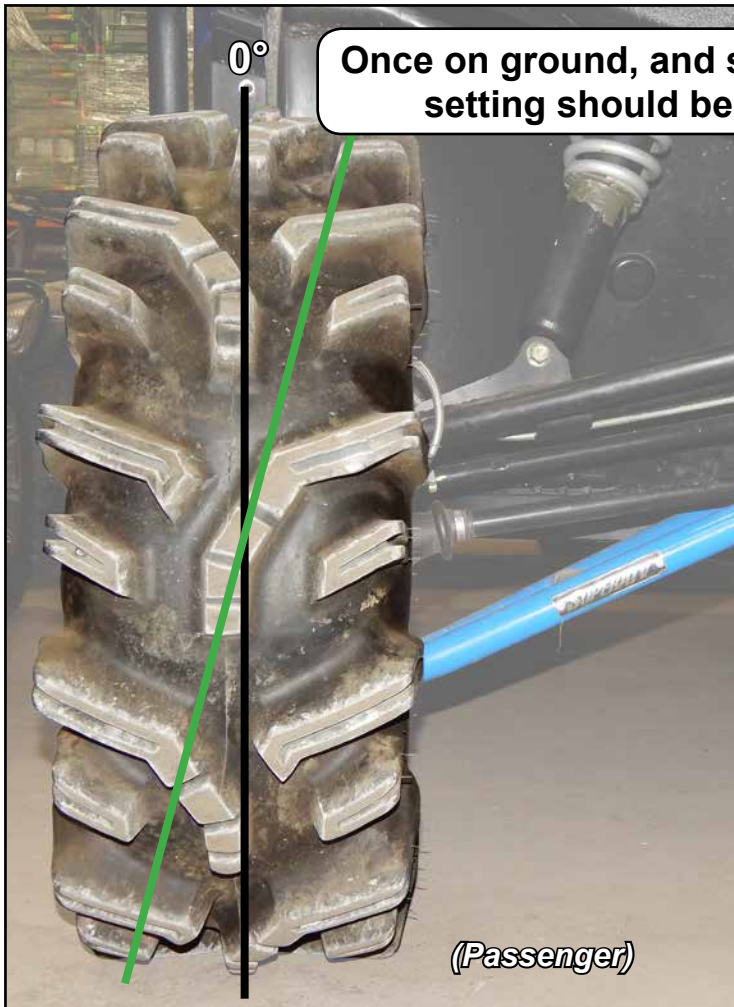
CAMBER



Perform adjustments in small increments.



Adjustments are to be made after all suspension components have been completely assembled.
Tires must not be in contact with ground when making adjustments.



Once on ground, and suspension is settled,
setting should be: negative 1° - 2°

(Passenger)

1. Raise machine so that tires are off ground.
 2. Turn as shown to adjust camber.
 3. Lower machine and settle suspension components by rolling machine back and forth several feet at a time.
 4. Check settings and make small adjustments as needed.
- Each time an adjustment is made, machine must be rolled back and forth to settle suspension components.

A-Arm

Adjust, in or out, to achieve correct setting

