

APE OFFROAD

2515 Bypass Rd. Flemingsburg, KY 41041
606-845-7439

Instructions for Installation and Care of
Honda Talon
Aero-Vent Polycarbonate Windshield
HO-TALON-WD05

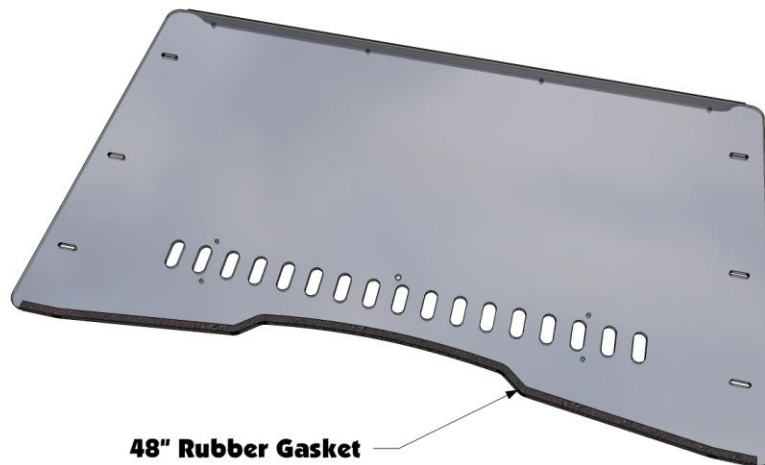
Be sure to read these instructions thoroughly before opening and installing the Honda Talon Aero-Vent Polycarbonate Windshield.

1. Check over the parts included in the cartons with the parts list shown below:

Velcro Strap Clamps	2 each
2" Loom Clamps	2 each
1" Bolts	4 each
2" Bolts	2 each
Lock Nuts	4 each
1 3/8" Black Nylon Spacers	2 each
Small Washers	6 each
Plastic Thumb Nuts	2 each
Slide Fasteners	10 each
49" End Bulb Rubber Gasket	1 each
Vent Sliders	2 each
Lexan Windshield	1 each

If any parts are damaged or missing please contact customer service at (606) 845-7439.

2. Start by pulling it out of the box, find a clean area to lay it down, and install the hardware. Begin by peeling off the protective film. Next take the 49" piece of rubber gasket and starting at one end firmly place along entire bottom edge of the Windshield as shown in the photo below. **Photo Not Honda Talon, just a representation of where to place gasket**



- Next prepare the vent slider to be installed on the windshield. Take the two 2" bolts, 2 black nylon spacers and two lock nuts and attach them to the vent sliders as shown in the photo below.



- Now insert the bolt in the small holes and screw on the lock nuts so the end of the bolt is flush with the outside edge of the lock nut. **Make sure that you place the bolt through hole on each slider so that they are mirror images of each other.**
- Now place the sliders on the inside surface of the windshield. Then place the plastic slide fasteners through the slots on the slider and into the holes in the windshield. The lock nuts should be in the large slots of the windshield.



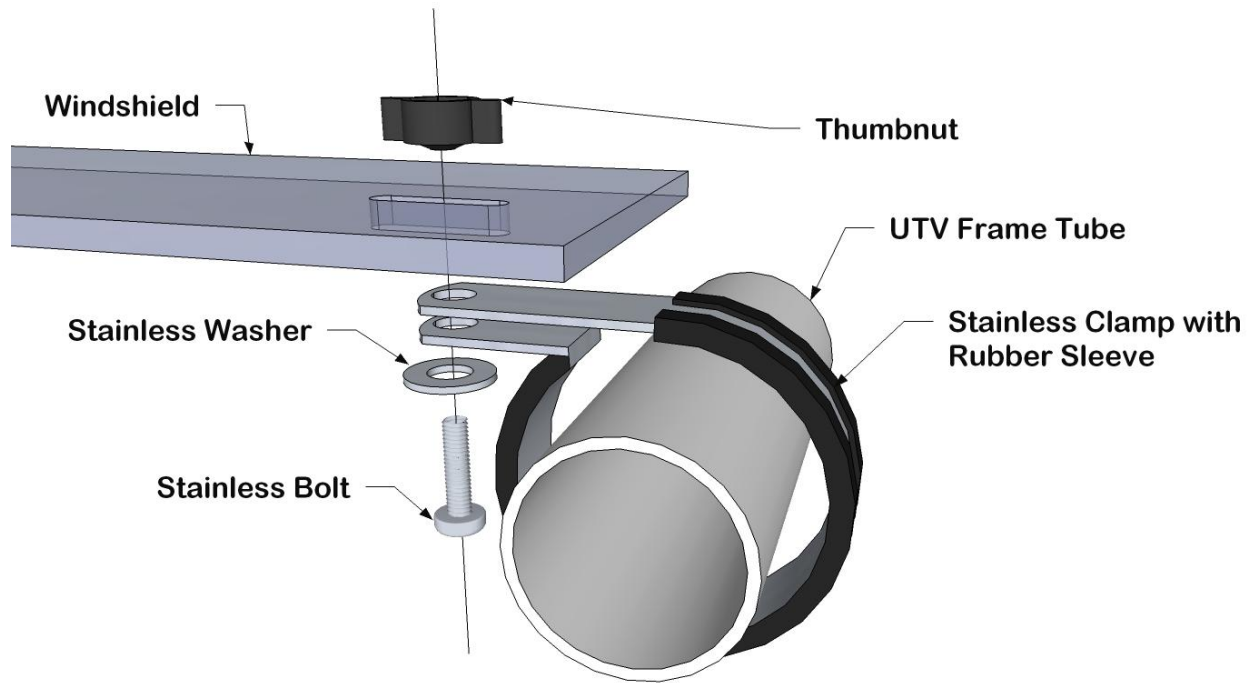
- You are now ready to install the windshield on your roll cage. Place the windshield on the vehicle first. Begin with the Bolts in the top corners of the windshield. Using a 1" bolt two washers and a lock nut fasten them as shown in the photo on the next page.



7. Then take the two Velcro clamps and place them through the square holes then wrap the strap around the roll cage and under the wire as shown in the photo below.



8. Then just Pull the strap back around the bar and attach it to the Velcro.
9. Next attach the two loom clamps along the top of the windshield as shown in the diagram and photo on the next page.



10. Now you are ready to take it out and enjoy. To clean the windshield, always clean using a liquid of some sort to decrease the chance of scratches. We recommend using micro fiber cloths that are readily available at any dollar store. Any window cleaner will work fine; just remember to use a soft clean rag or micro-fiber cloth to clean it.

Thank you for your purchase!

Return Policy

If for any reason you choose to return this product it must be returned within **30 days from date item is received**. You **MUST** package the product exactly **as it was originally packaged from the factory to get a full refund for the product!**

The vinyl windows should never be folded when packaging in the box or for storage purposes. Lay all the windows on top of each other with the canvas folded in between and the paper (if available) on both sides of the windows.

All returned products will be inspected upon arrival at the production facility and must be in unused, factory new condition to receive refund - a 25% restocking fee will apply.

If ordered from Ape Offroad please call at 606-845-7439 to gain a return authorization number, use our preferred shipping carrier (UPS) to return the item (unless the item is defective, you are responsible for paying the shipping to return the item.) **Any returns submitted to Ape Offroad without a return authorization number will be charged a 20% restocking fee.** If ordered from one of Ape Offroad's many distributors', you must first call them and see what their return policy is. Once your item reaches our production facility, our customer satisfaction team will inspect your item to ensure unused, factory new condition. **NOTE: All windshields must be returned with the original protective film intact and not removed. Do NOT REMOVE if you have any intentions of returning the item. Refund/ replacement of a windshield will only be processed on items with original protective film or if the windshield is defective.**

Items must be properly packaged in the original shipping carton to protect them during transit and ensure your returned item arrives back factory fresh, and in new resalable condition (**any returned items that have been used, altered or damaged in any way will not be subject for a refund.**) All contents including instruction manuals, accessories, hardware, Velcro, etc. must be included in your return shipment. Only items in OEM factory new condition will be approved. Once returned items are received, credit will be issued to the original credit card/ payment method used for the purchase. Outbound shipping and return shipping cost will not be refunded. Please allow 4 to 6 weeks for your refund to be processed.

Warranty

To The Owner of this Product:

Thank you for purchasing one of Ape Offroad Cab Enclosures, Tops &/or Windshields! Below are the terms under which your product is covered under our manufacturer's warranty.

30 Day Warranty which includes and is not limited to replacing the enclosure, tops and/or windshield due to defect of the product. Please refer to the return policy in this case for more information.

1 Year Warranty includes any defect in material or workmanship within this time frame we will gladly correct the problem or replace the enclosure, tops &/or windshield. Upon submitting for the correction or replacement we will need to receive pictures of the defect in material or workmanship along with the receipt from the date of purchase.