

HardCabs

A DFK AMERICA COMPANY

INSTALLATION INSTRUCTIONS

ARGO **ARGO 8x8**



SAFETY INSTRUCTIONS

Warning: Failure to heed all safety and operating instructions and warnings regarding use of this product can result in serious bodily injury.

READ PROPERLY COMPLETE ASSEMBLY INSTRUCTIONS BEFORE STARTING OF ASSEMBLY

Install all parts indicated in assembly instructions. Failure to fully assemble product before use could result in personal injury.

Assembly of product requires use of hand or power tools. If you are not experienced in using these types of tools, have product dealer do the install for you.

Some parts contain sharp edges, wear protective gloves if necessary.

Always keep your assembly area clean, uncluttered and well lit.

Keep visitors and children a safe distance away from the assembly area. Visitors should wear the same safety equipment described under.

Never operate your UTV with the cab doors open. Failure to properly latch the doors before moving the vehicle could result in serious injury.

Dress for safety. DO NOT wear loose clothing, gloves, neckties or jewelry if using power tools to assemble this product.

Insert all nut covers after you finish installation.

Never drive your UTV with the cab front window in open position. Failure to properly latch/lock front window before driving the vehicle could result in serious injury.

Please be careful not to break the plastic washers, if you're tightening screws with plastic washers use max torque of 3.7 foot-pound force (5 Nm)!!!

WARNING: For safety purposes, if the DFK Cab doors are removed, it is mandatory that the OEM manufactured Half Doors or Nets are **REINSTALLED** before operating the vehicle.

MAINTENANCE AND CLEANING

To clean polycarbonate surface use soapy water solution or other subtle means.

Dirt and dust wash by gently water stream and swipe only with wet or damp means in the direction from top to bottom.

The recommended frequency of cleaning of polycarbonate part is about 1 time per month or according to the actual degree of pollution.

*Do not use detergents that could scratch the surface plates.
(abrasives, harsh fabrics, etc.)*

*Do not use solvents or alkaline detergents or cleaners with ammonia
(ammonium hydroxide).*

Do not remove the impurities from the surface of the razor blades or other sharp items.

Do not clean cab when the polycarbonate plates are heated by the sun.

Do not use the squeegee, it could be scratched surface plates.

Do not clean the water current strength greater than 50 bar (WAP)

The manufacturer is not responsible for scratching the surface in case of failure to comply with the above instructions.

All bolted connections of cab must be by user at regular intervals checked and tightened.

PREPARATION FOR INSTALLATION:

Uninstall all additional systems from the roller cages (work lights, rear mirrors, drink holders etc.)

[CAB PREVIEW](#)



4

ELECTROINSTALLATION 1.

Move original harness to the inner side of the upper side frame ledge on both sides.

DETAILED VIEW



5

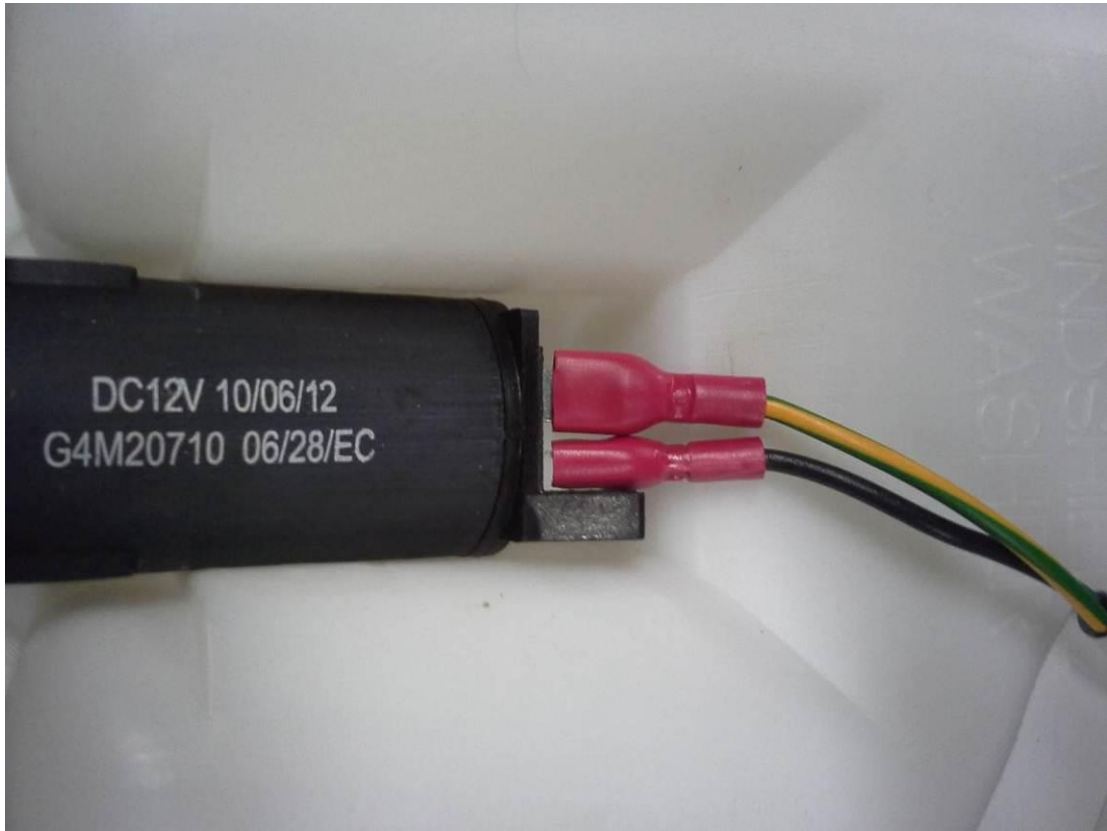
Install the washer tank holder into the front boot space (red circle) using original screws.



DETAILED VIEW



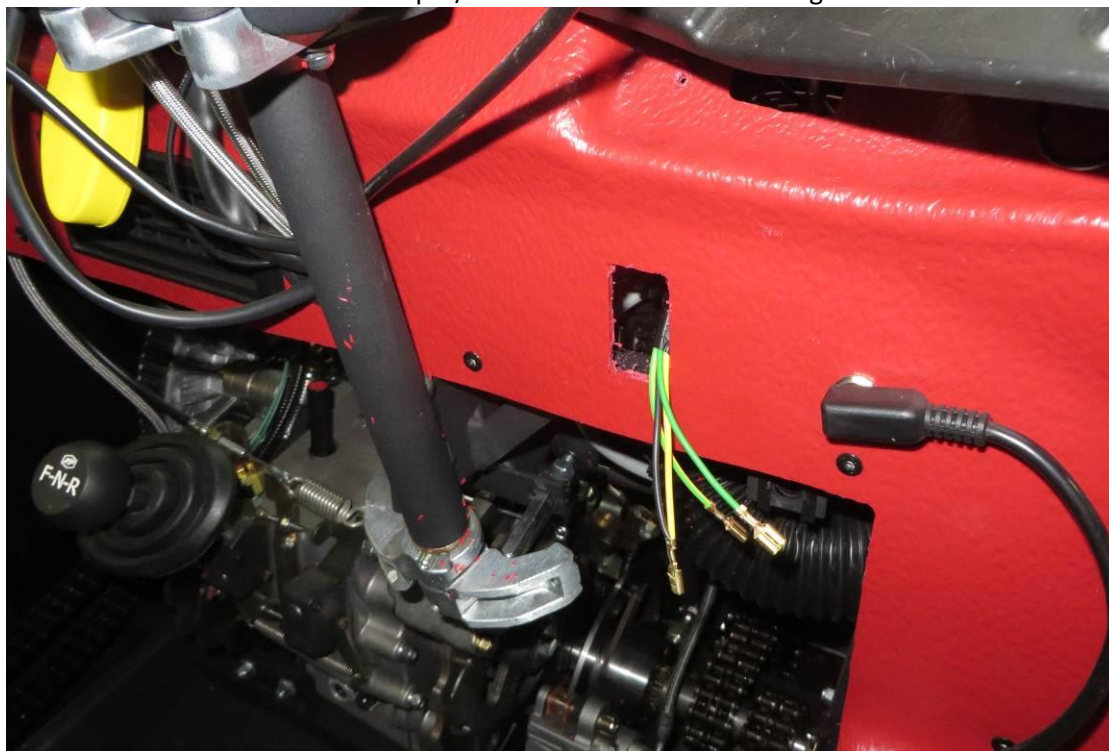
Connect the washer harness branch to the washer motor. Press the washer assembly onto the holder.
DETAILED VIEW



Lead the harness through the front boot space to the dashboard (blue line).



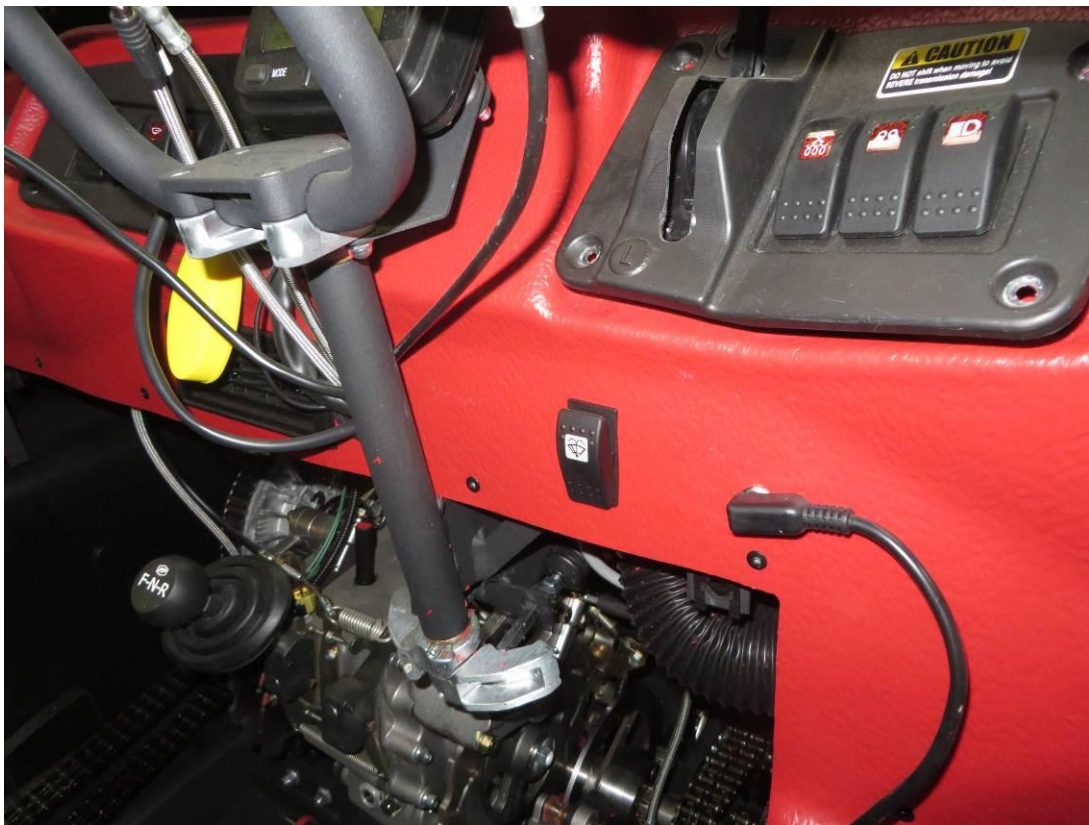
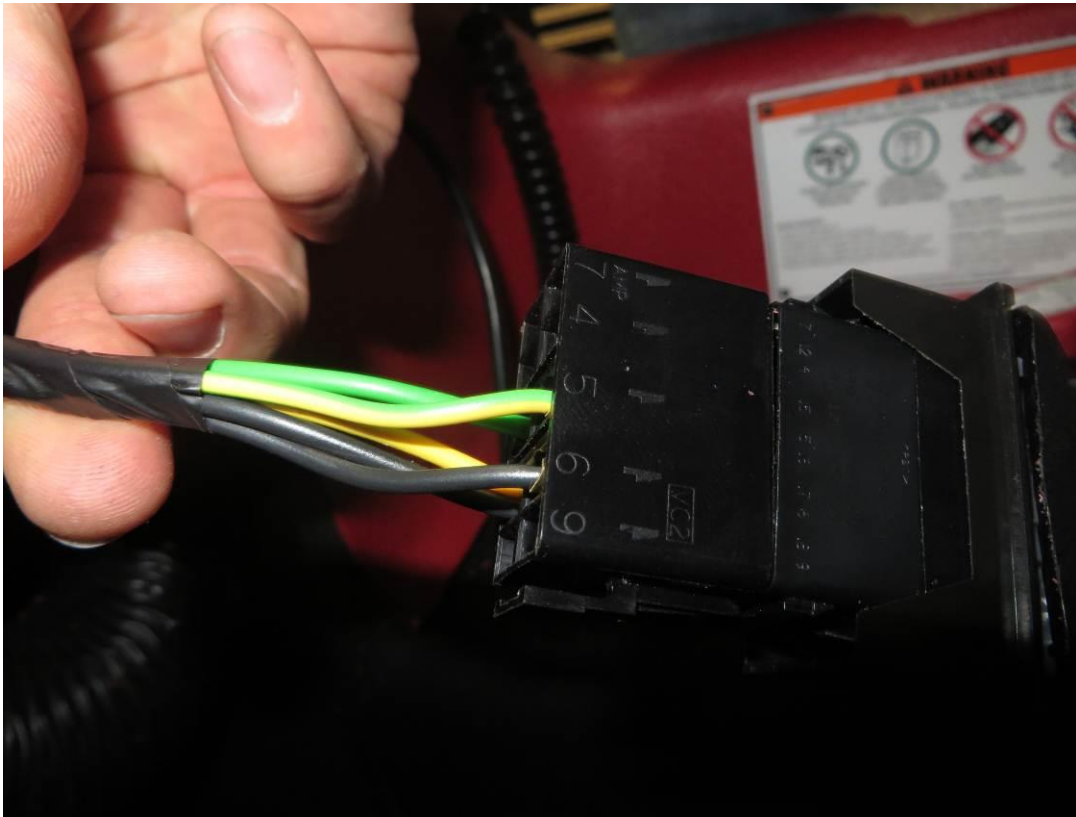
Cut the rectangle hole (43mm x 22 mm) into the dashboard.
Lead the wiper/washer switch harness through.



SEE NEXT PAGES

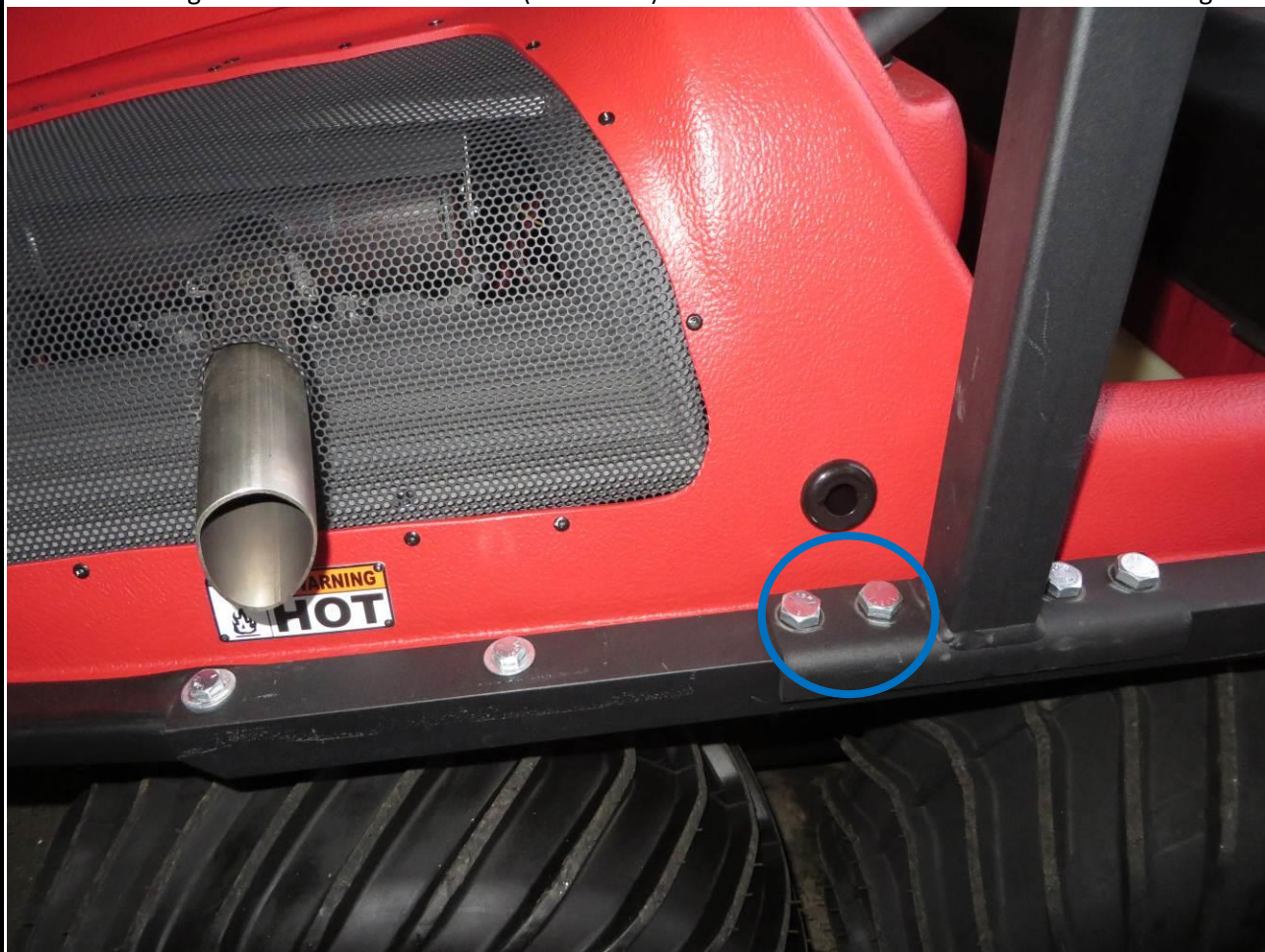
Connect the wiper/washer harness brach to the wiper/washer switch and press the switch into the dashboard.

DETAILED VIEW.



FRONT PANEL

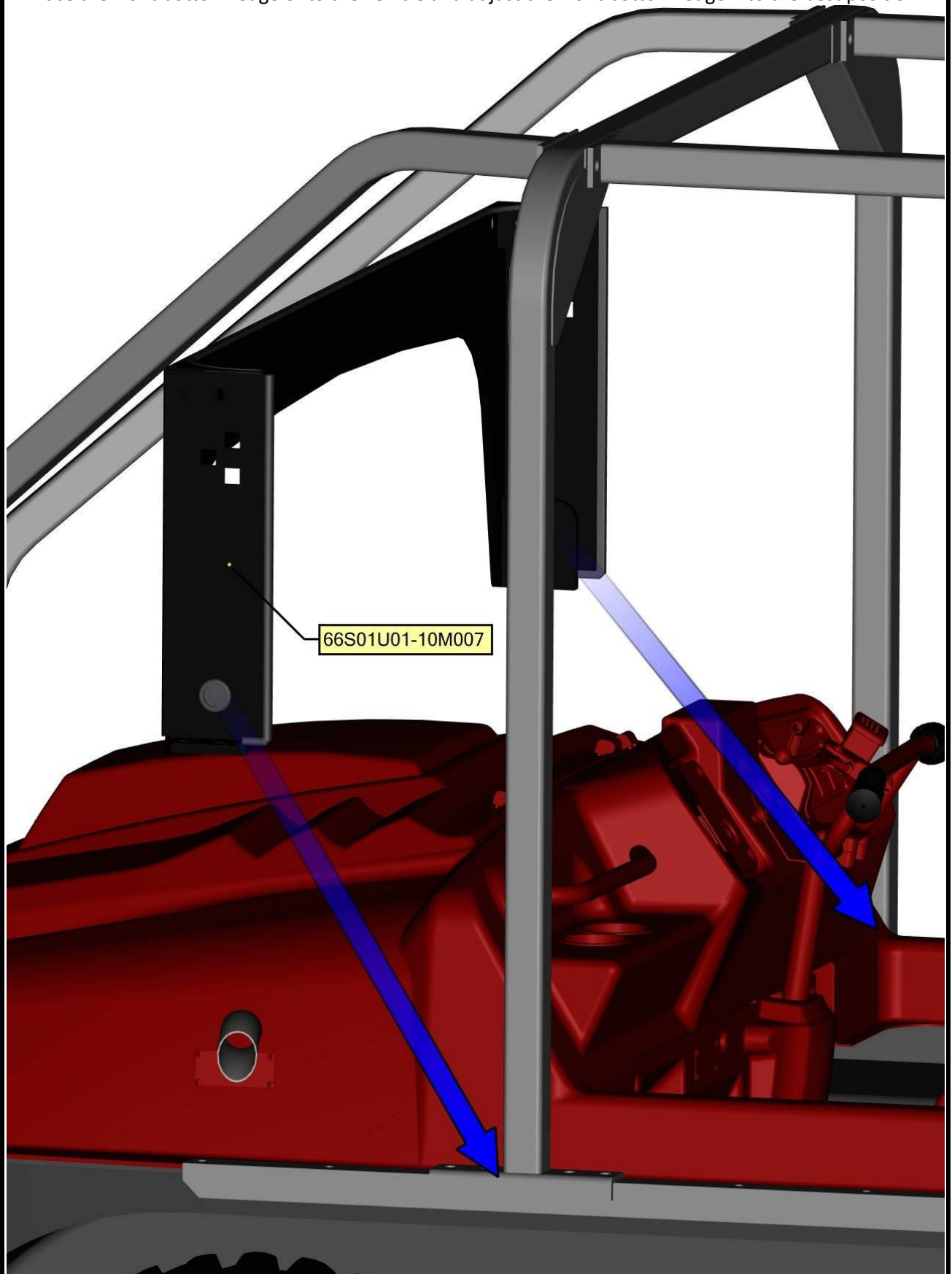
Uninstall original screws from the frame (blue circle) on both sides and save these for the later usage.



10

SEE NEXT PAGES

Place the front bottom ledge onto the vehicle and adjust the front bottom ledge into the best position.



Fix the front bottom ledge with the vehicle frame using original fixing assembly on both sides.



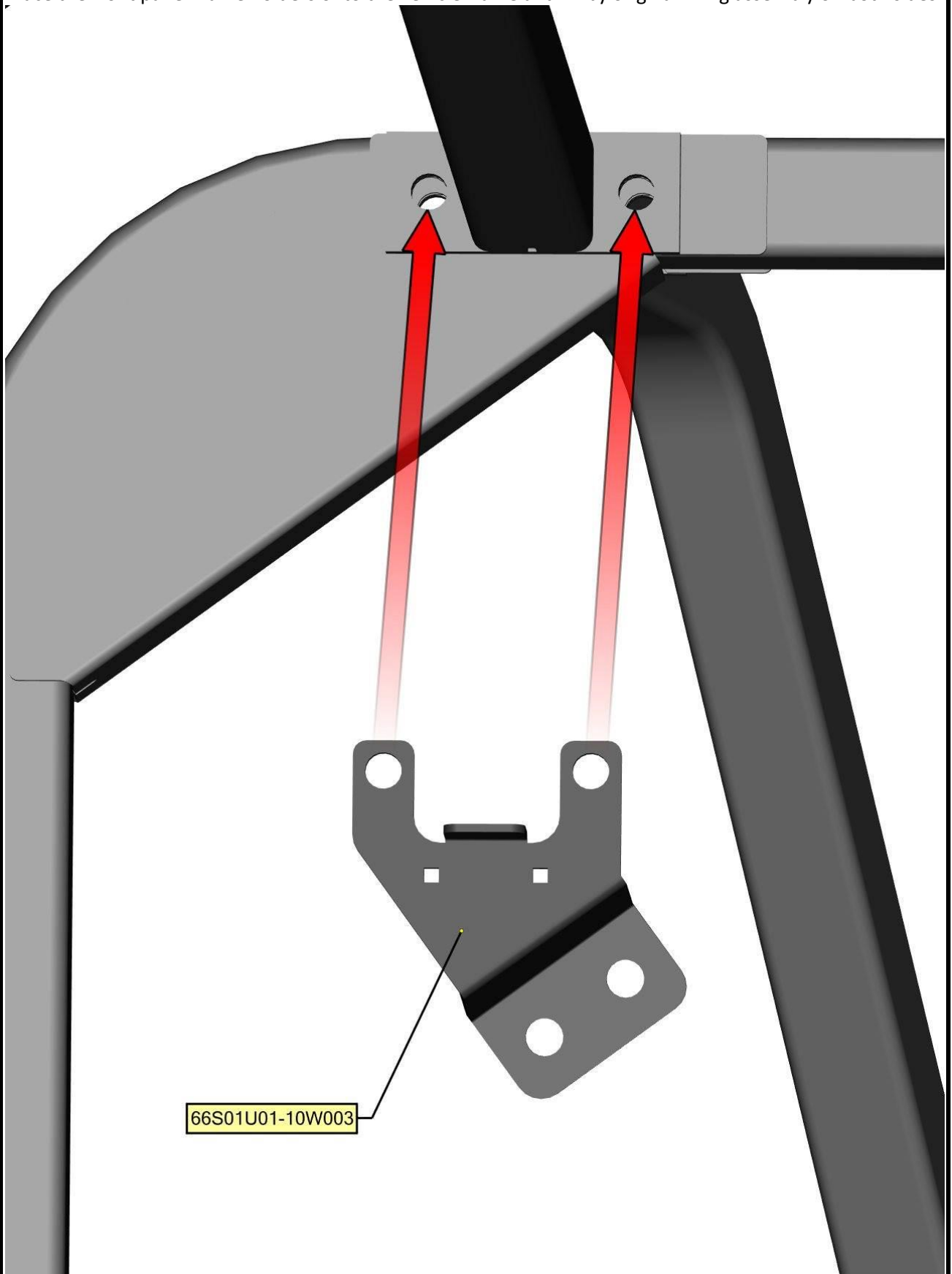
12

One by one uninstall the original screws from the front part of the upper ledge and replace the screws from the outer side on both sides.

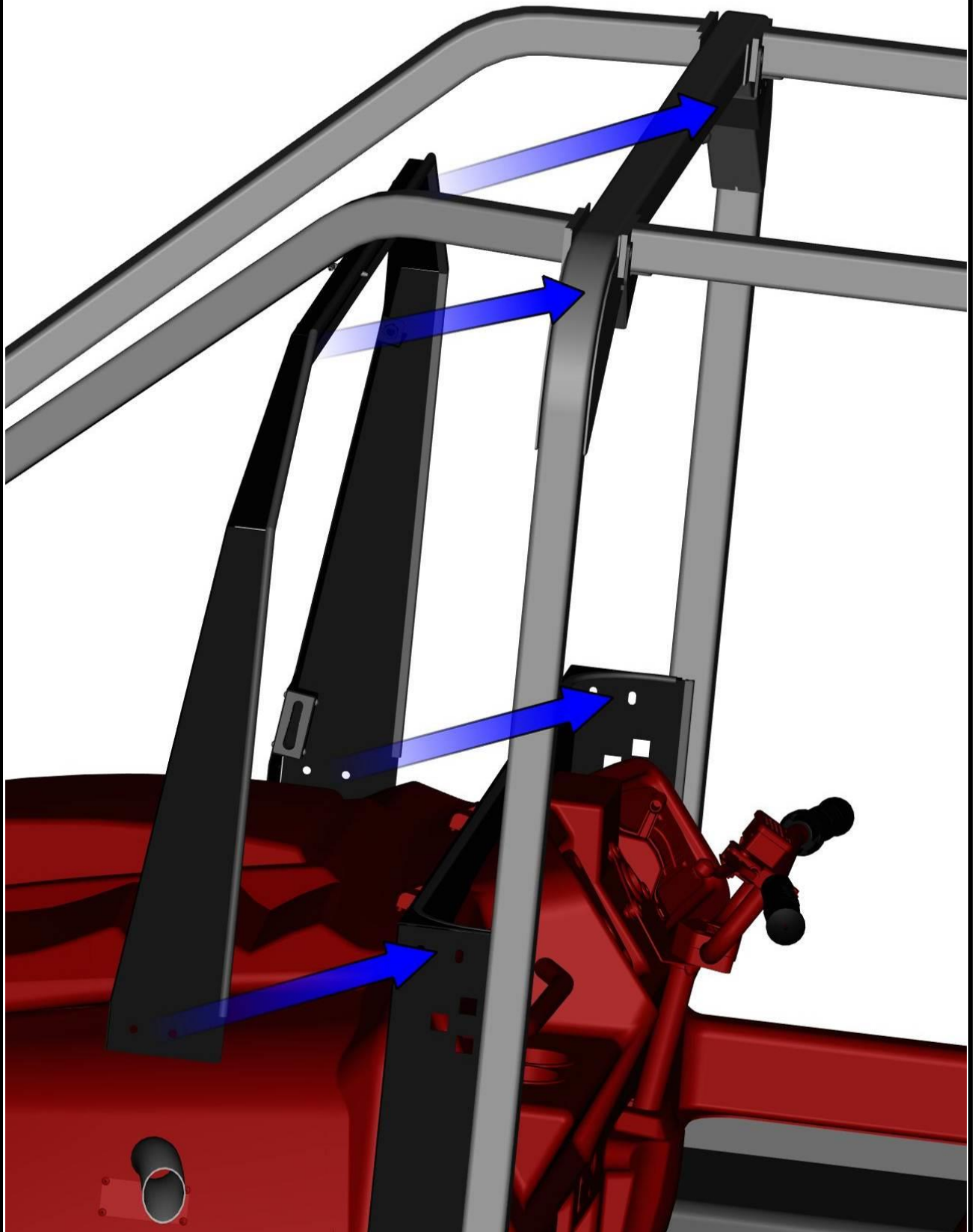


13

Place the front panel frame holders onto the vehicle frame and fix by original fixing assembly on both sides.

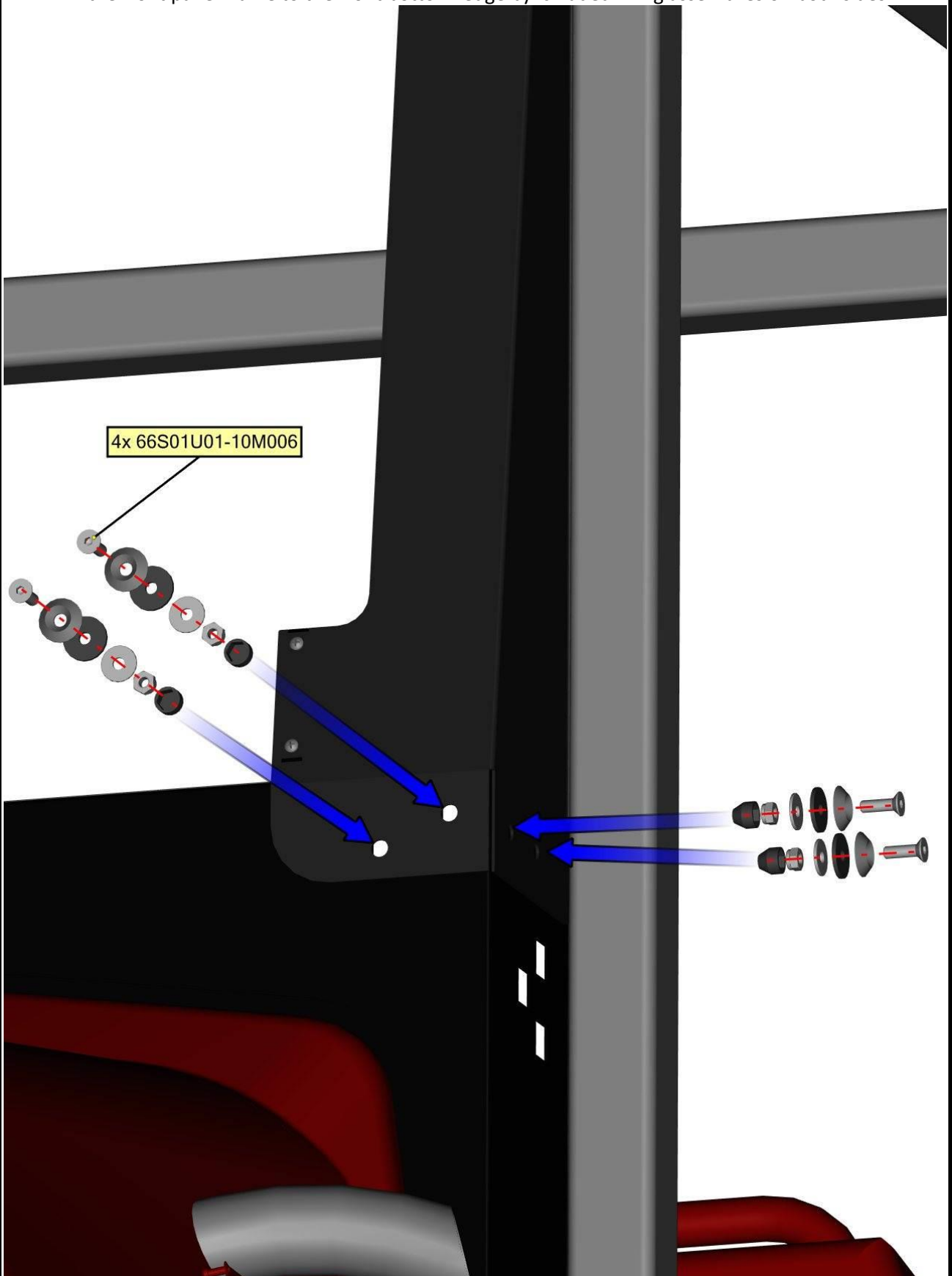


Place the front panel frame onto the vehicle in accordance with the holders and front bottom ledge.

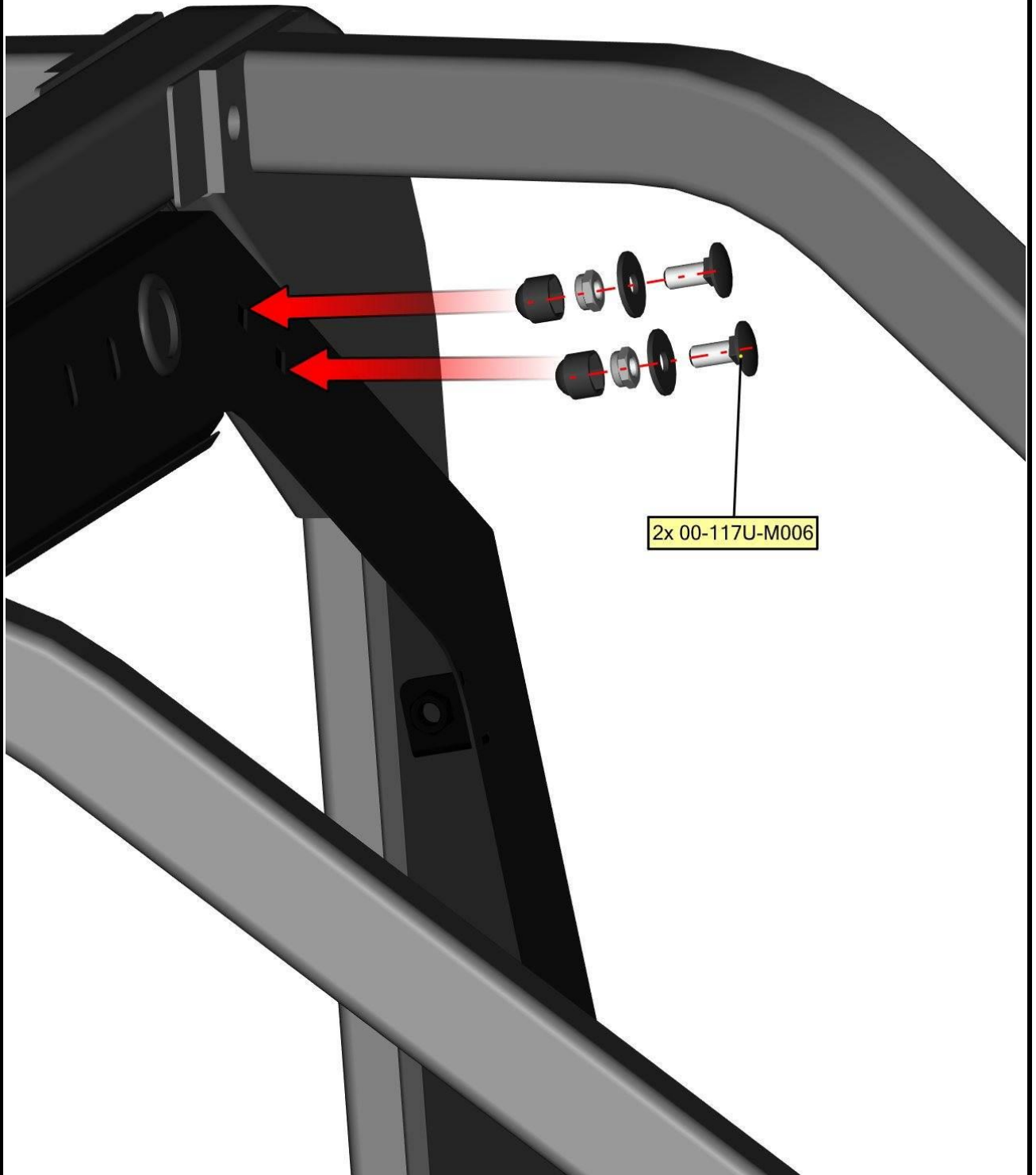


15

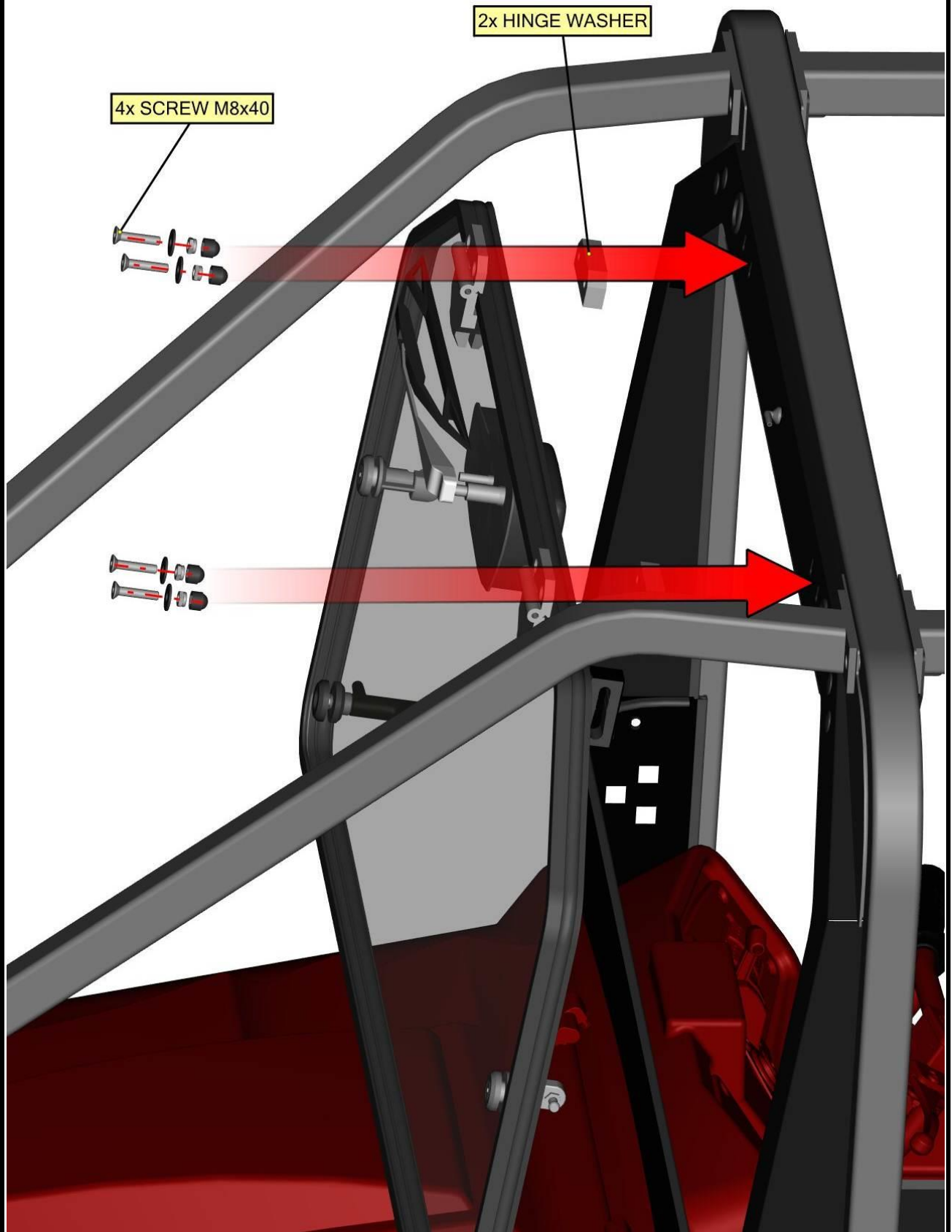
Fix the front panel frame to the front bottom ledge by included fixing assemblies on both sides.



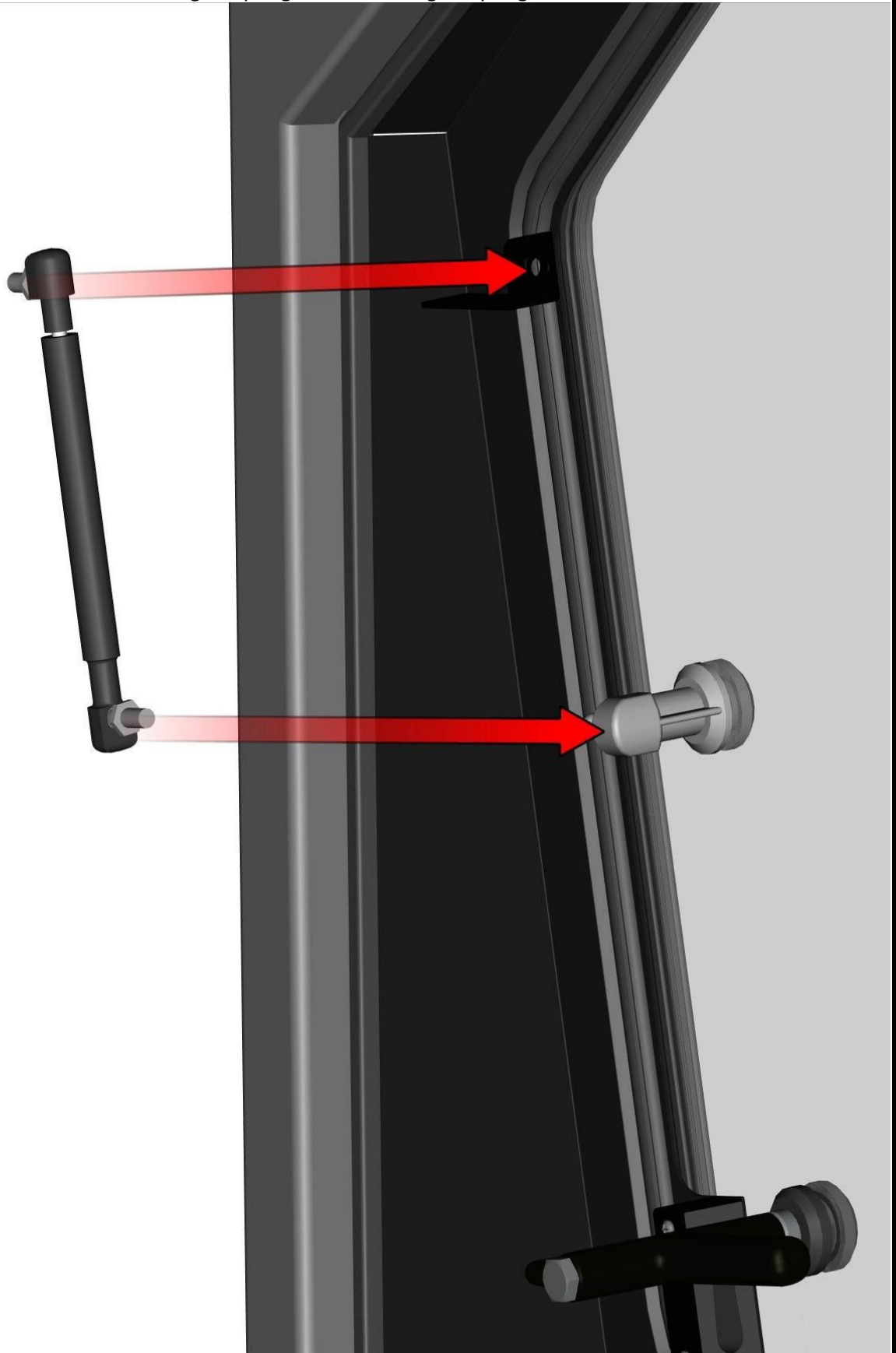
Fix the front panel frame with the holders by included fixing assemblies on both sides.



Place the front glass assembly onto the front panel frame by hinges and fix by included screws, washers and covers.



Install the front gass spring into the front gass spring holders on both sides.



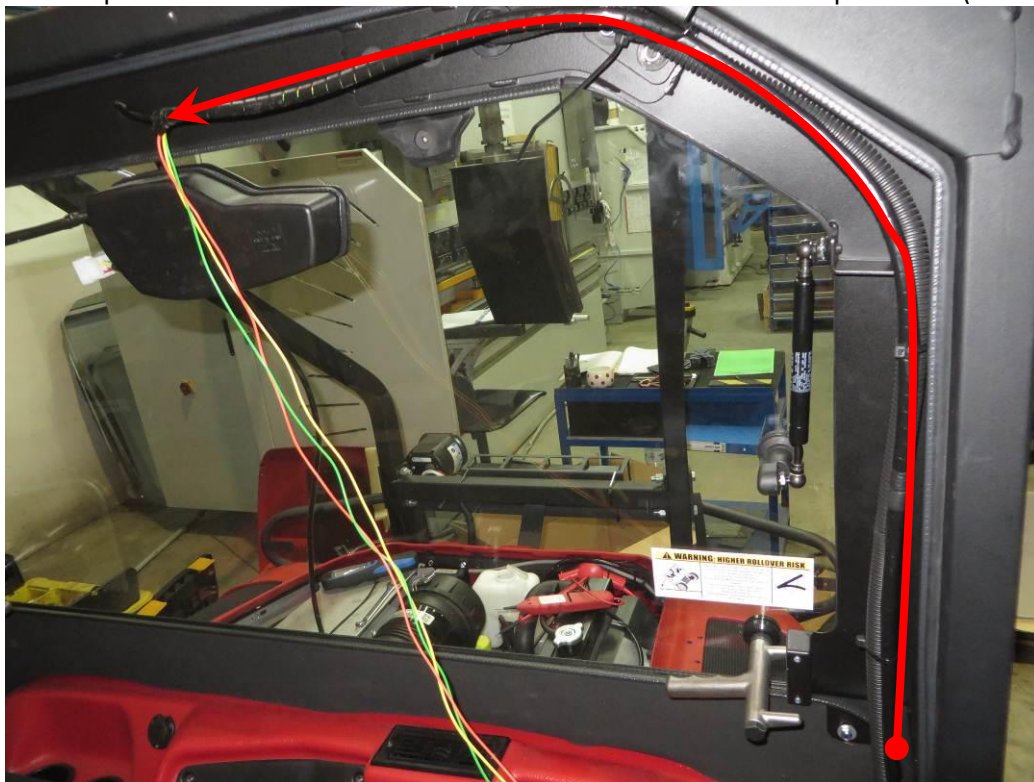
ELECTROINSTALLATION 2.

Lead the wiper harness branch with the washer tube through the original harness hole, if necessary enlarge the original hole for the wiper harness to fit.

DETAILED VIEW



Lead the wiper harness with the washer tube around the frame to the wiper motor (red line).



Cut the washer tube and lead it through the front panel frame using pre-installed tube pass.
Connect the washer tube with washer jet.

DETAILED VIEW inner side

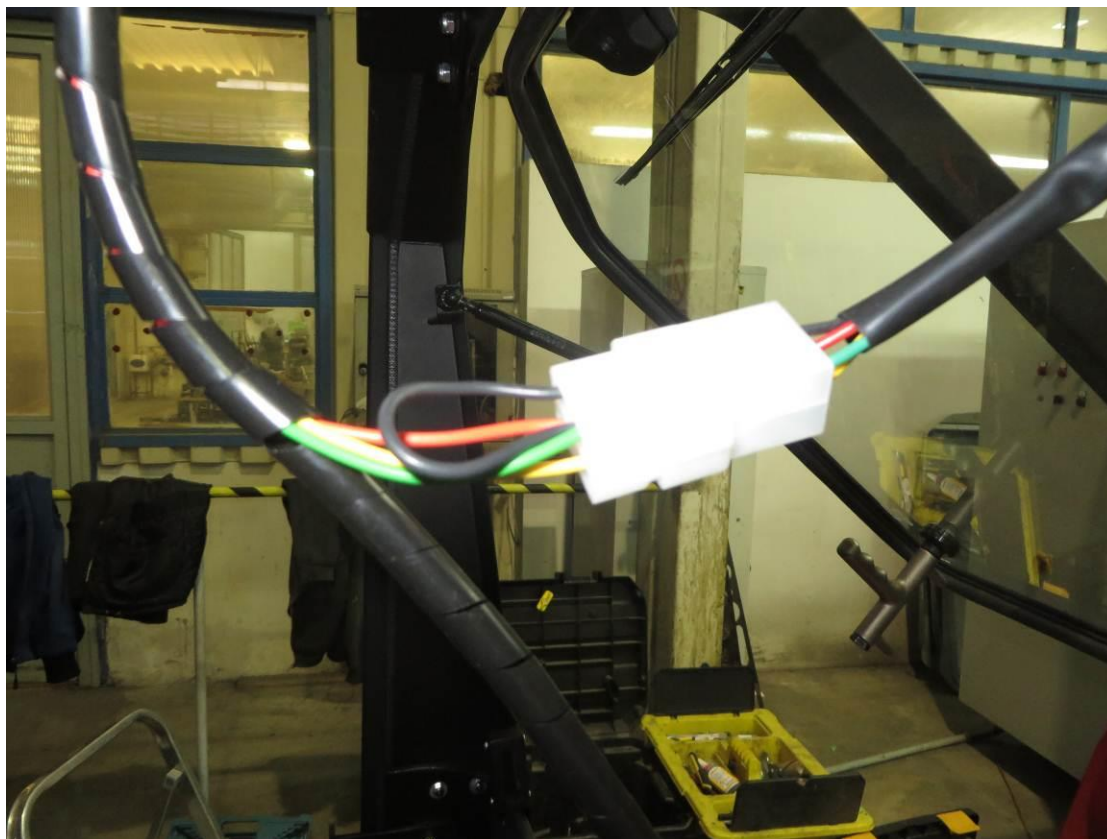


Outer side



Connect the wiper harness to the wiper motor.

DETAILED VIEW

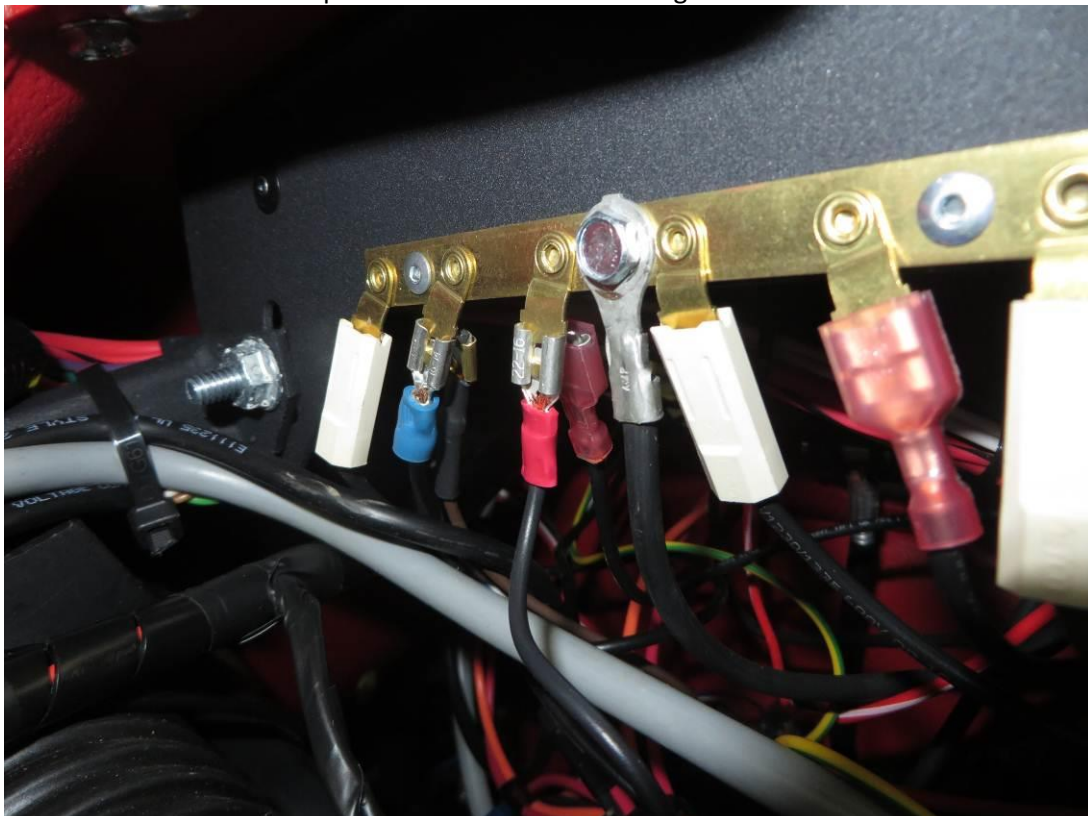


SEE NEXT PAGE

Add included fuse into the fuse box (blue circle).



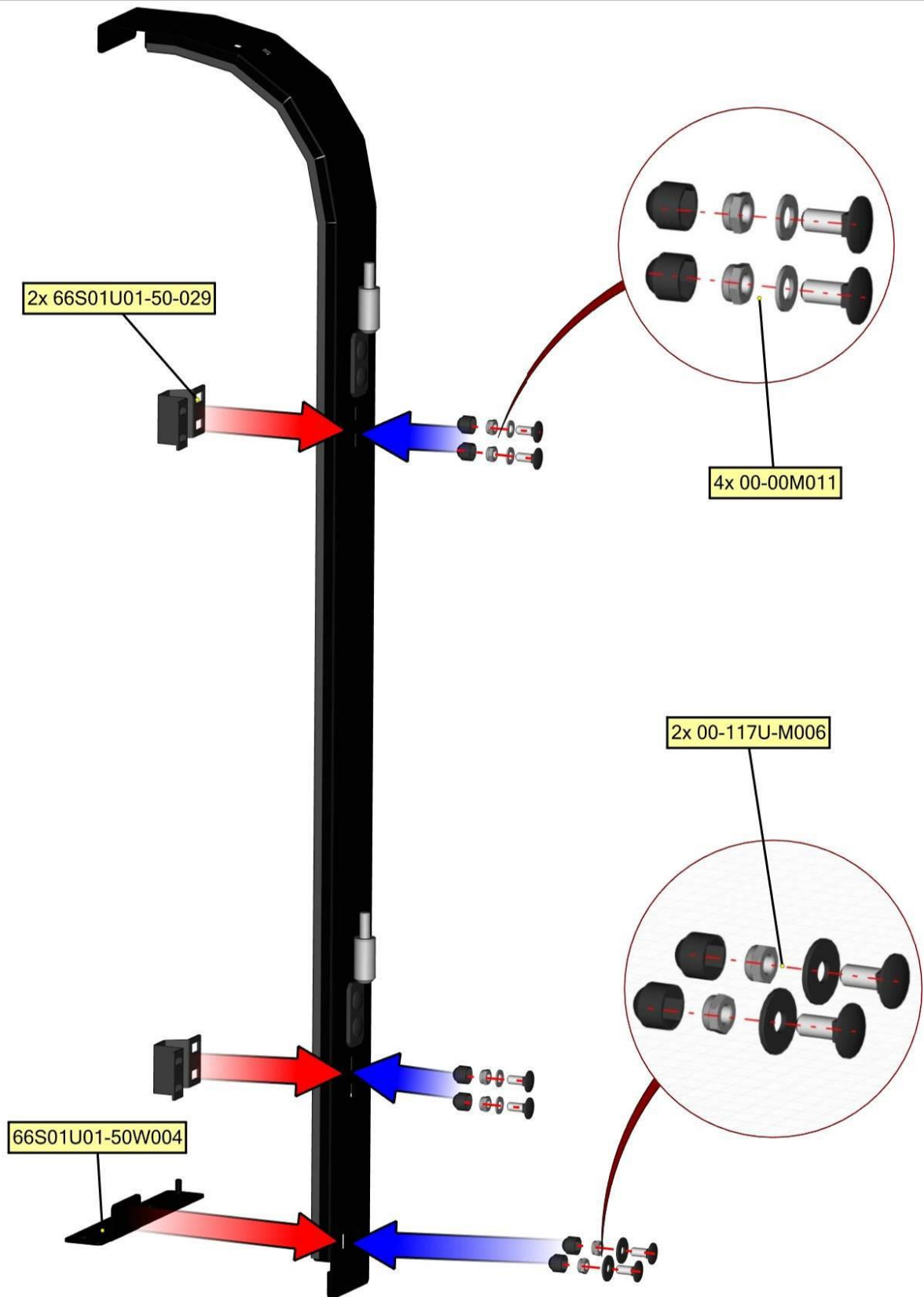
Connect the wiper washer harness to the original electroinstalation.



FILL THE WASHER TANK WITH THE WASHER LIQUID BEFORE FIRST USAGE.

LEFT DOOR + RIGHT DOOR 1.

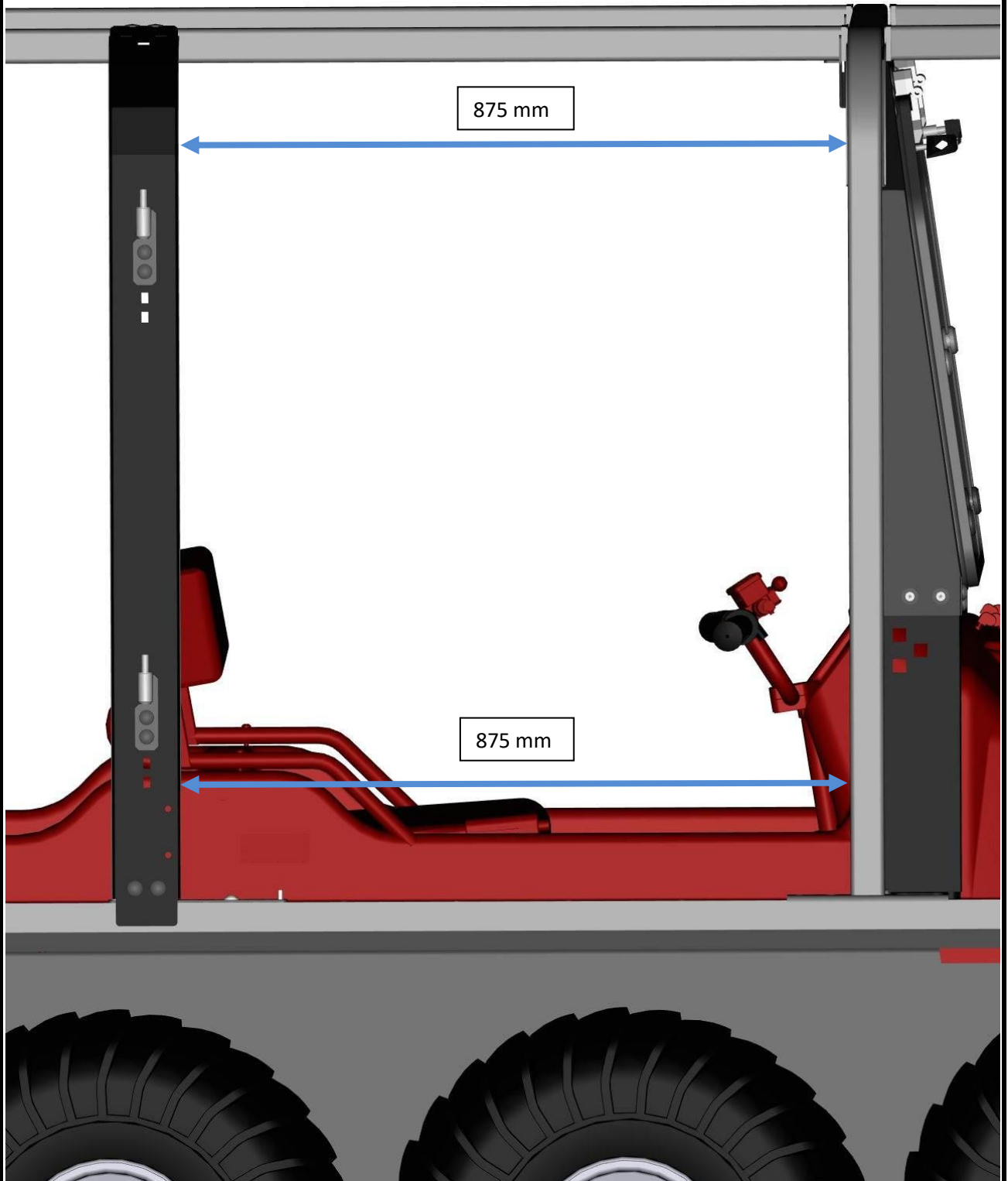
Install the right bottom door base holder and rear door holders onto the right door base and fix by included fixing assemblies.



Place the right door base assembly onto the vehicle frame.

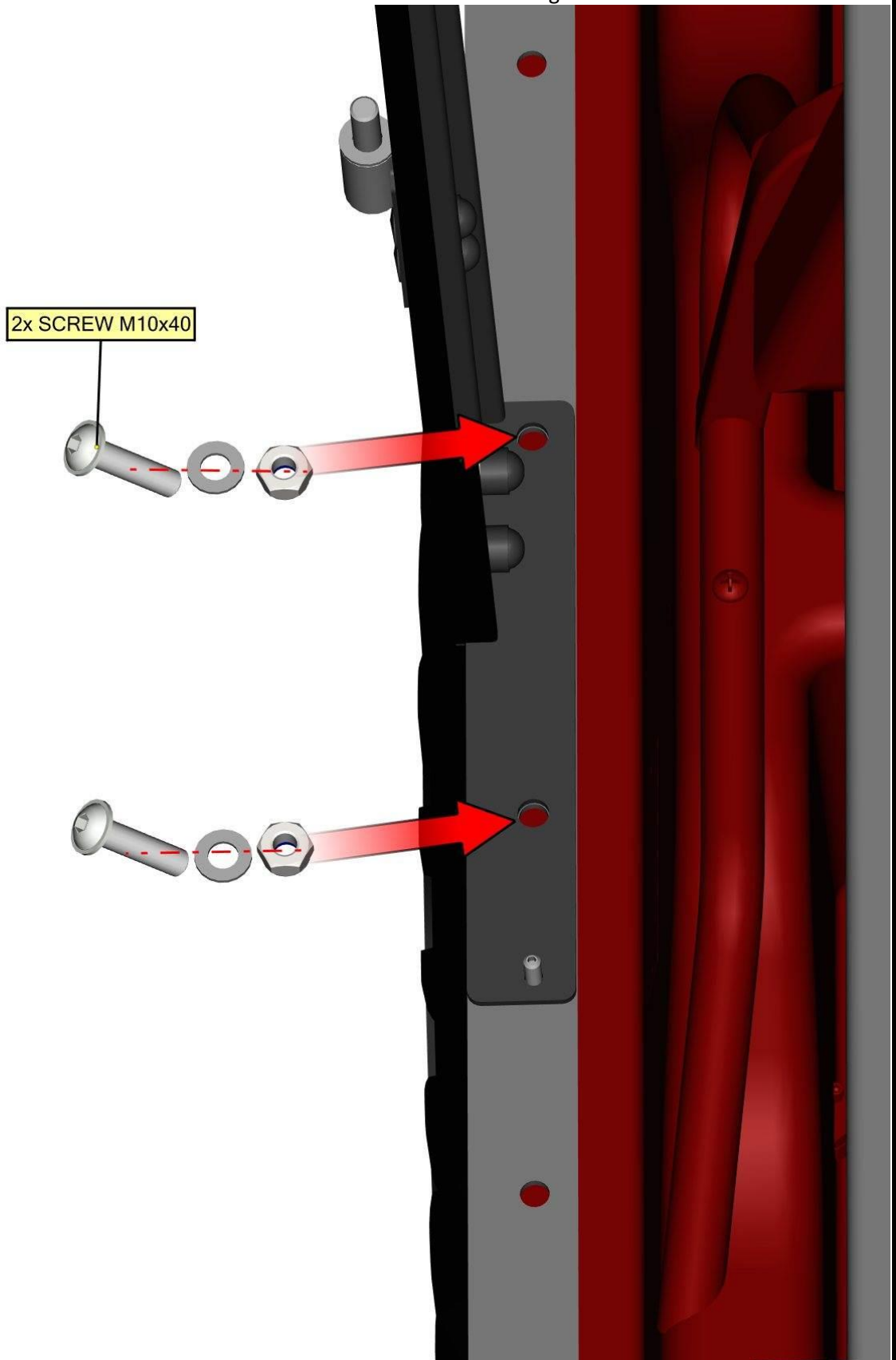


Make sure that position of the right door base is correct.

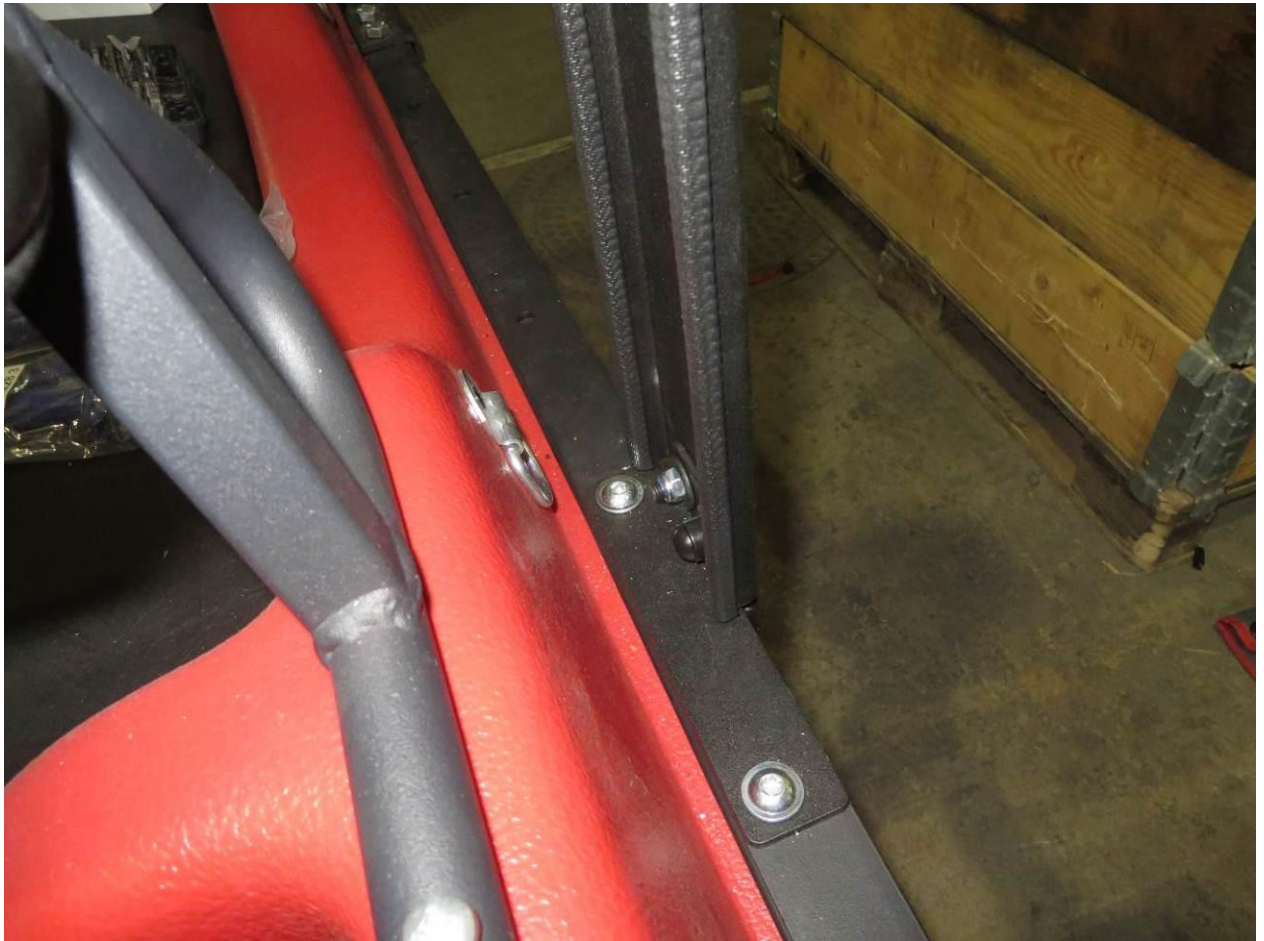


26

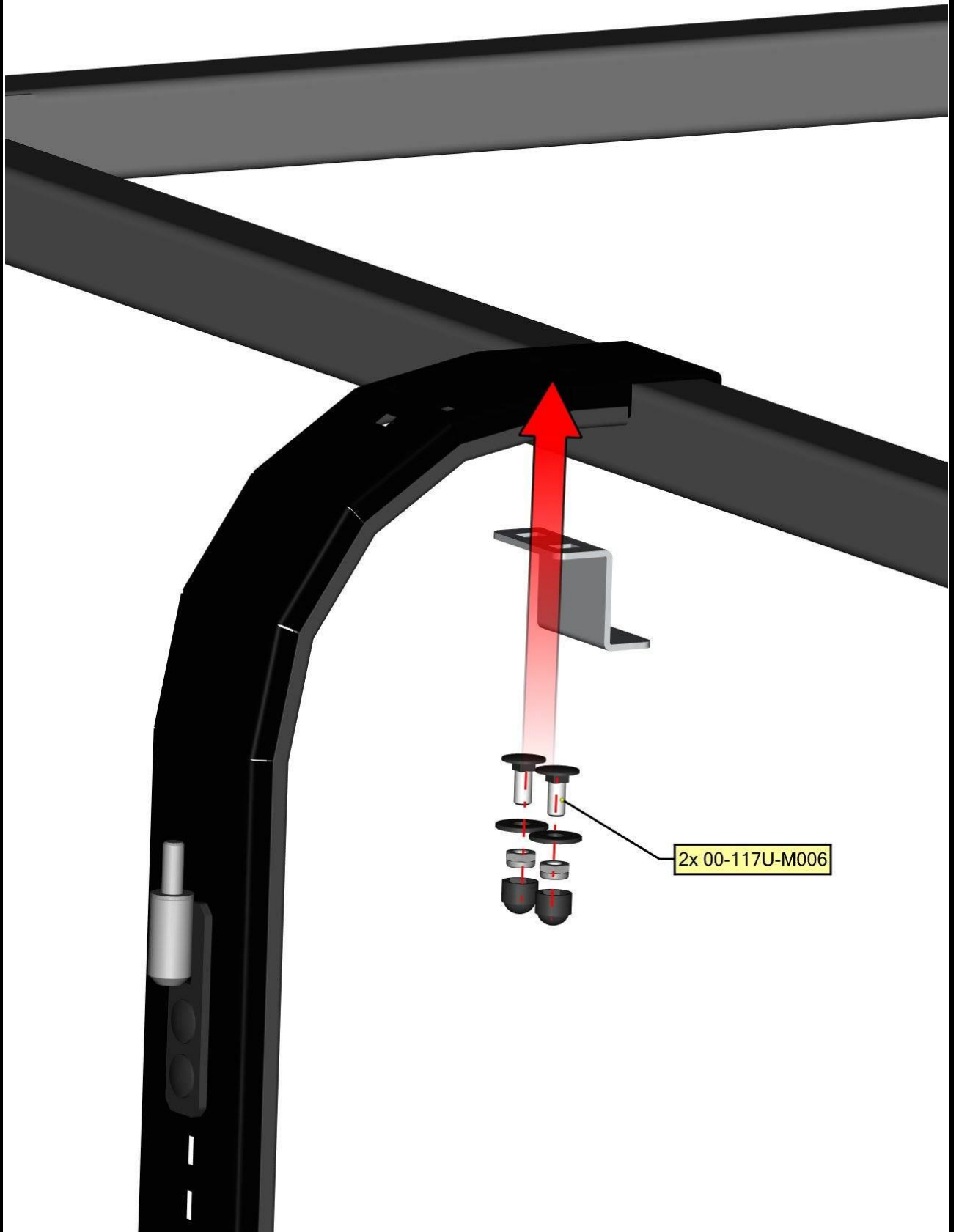
Fix the right door base bottom holder with the vehicle frame by included screws, washers and nuts. If necessary drill holes $\varnothing 11$ mm into the frame in accordance with the right door base bottom holder holes.



DETAILED VIEW



Place the door base upper holder onto the right door base and fix by included fixing assemblies.



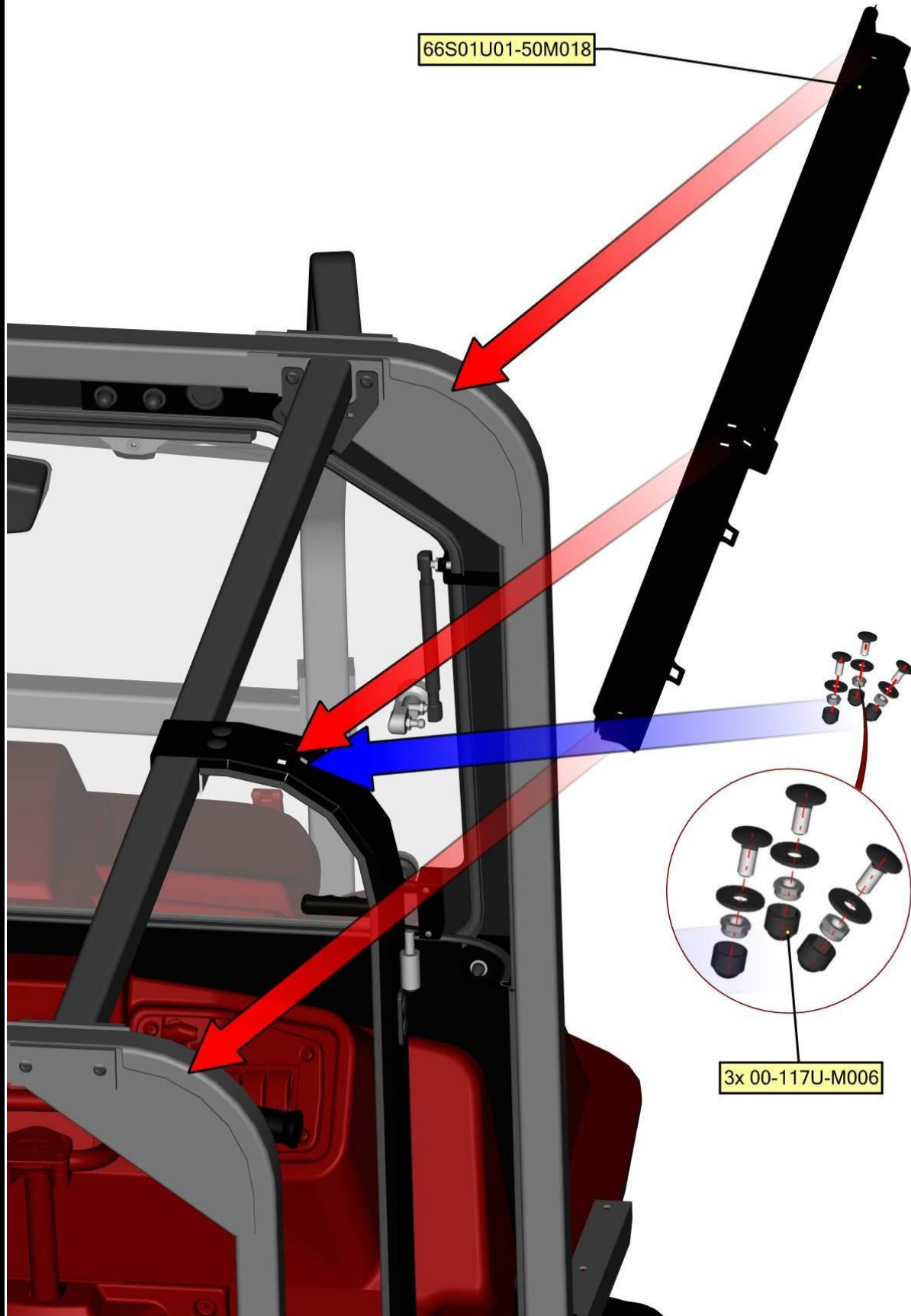
29

DETAILED VIEW

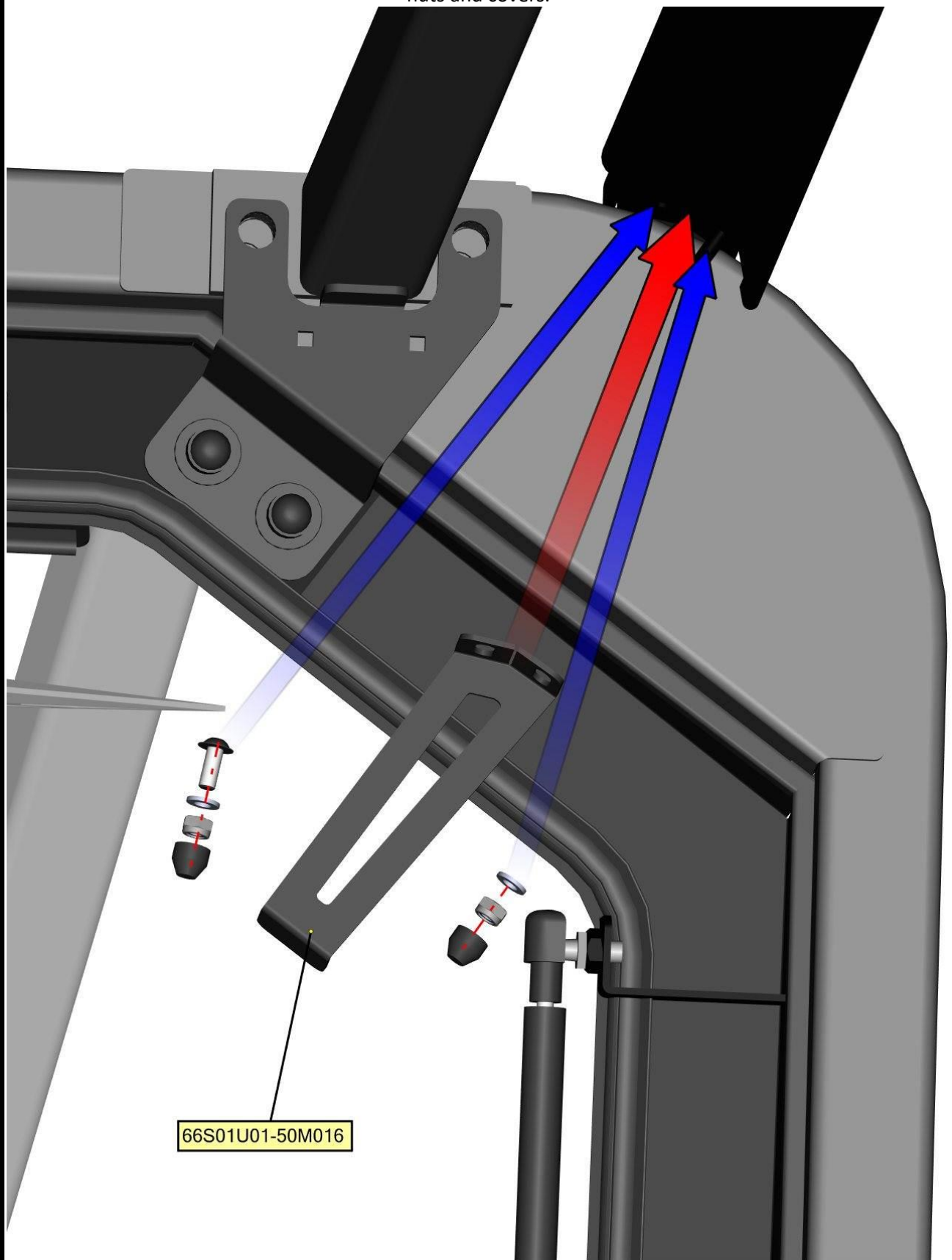


30

Place the right upper door ledge onto the right door base and fix by included fixing assemblies.

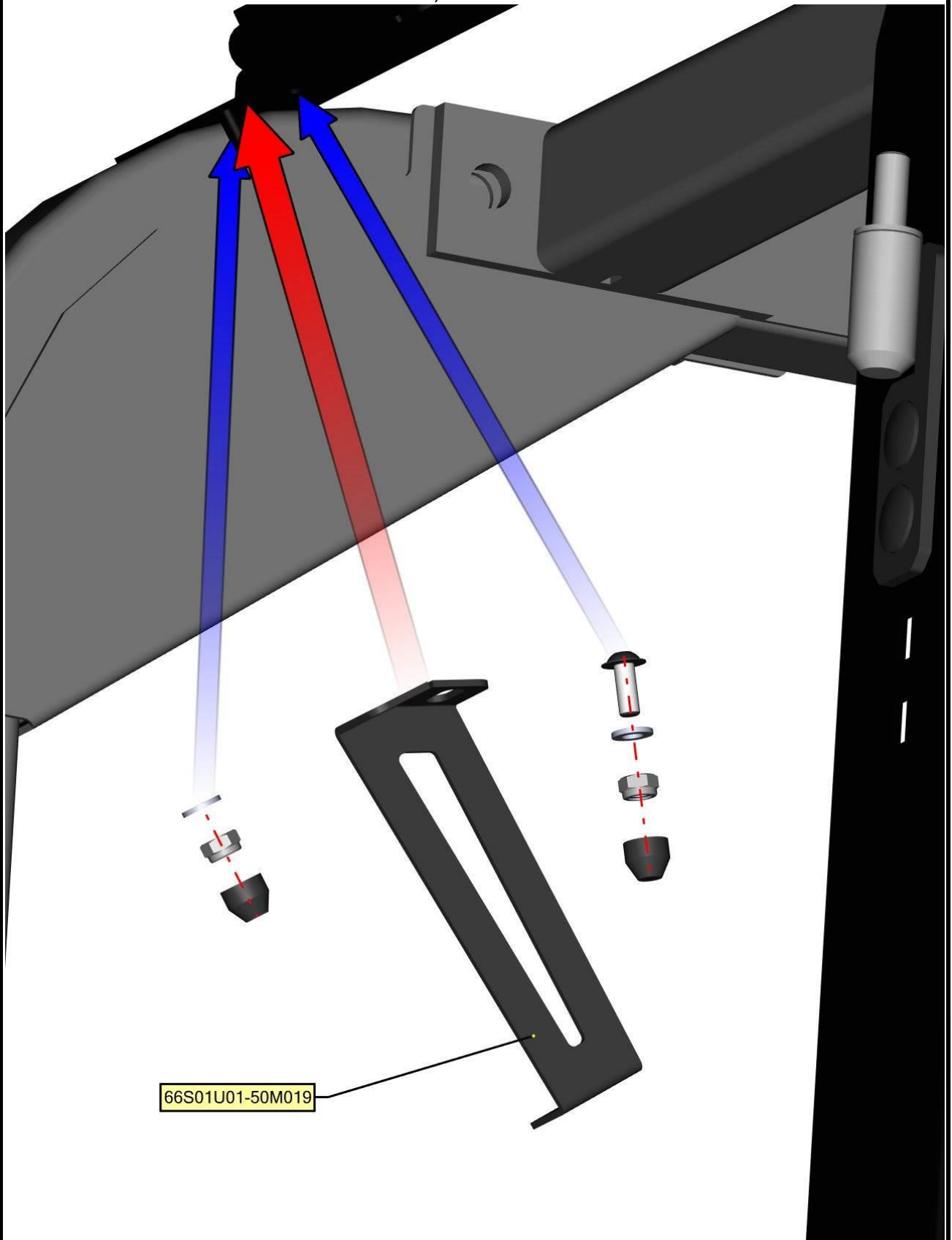


Place the front upper door ledge hodler onto right upper door ledge and fix by included screw, washers, nuts and covers.



32

Place the rear upper door ledge holder onto the right upper door ledge and fix by included screw, washers, nuts and covers.



DETAILED VIEW



Make sure that distance in the front and rear part of the right upper door ledge are the same (blue arrows) and tighten nuts correctly.



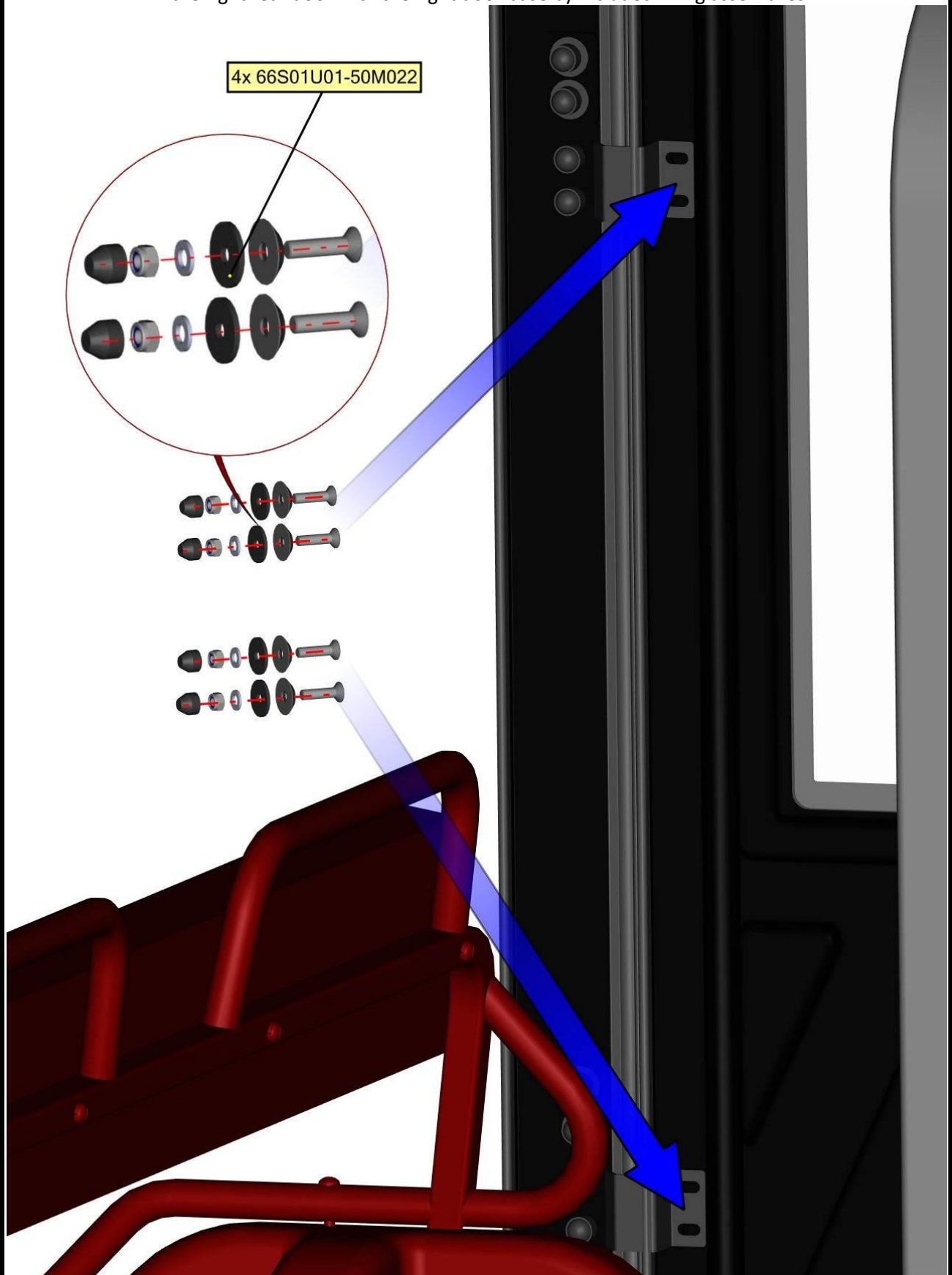
35

Place the right rear door onto the right rear door holders and onto the vehicles frame.

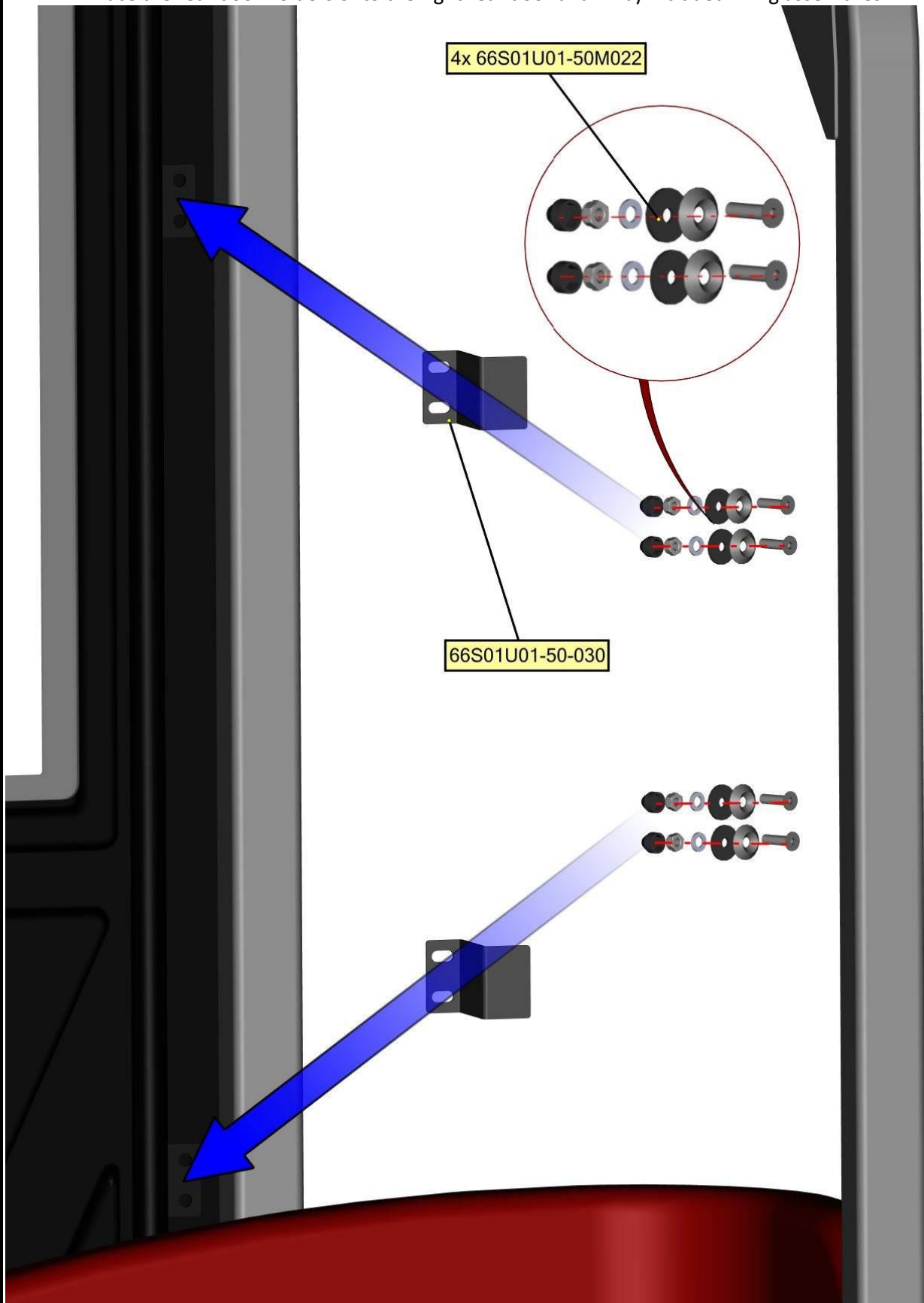
66S01U01-50M007



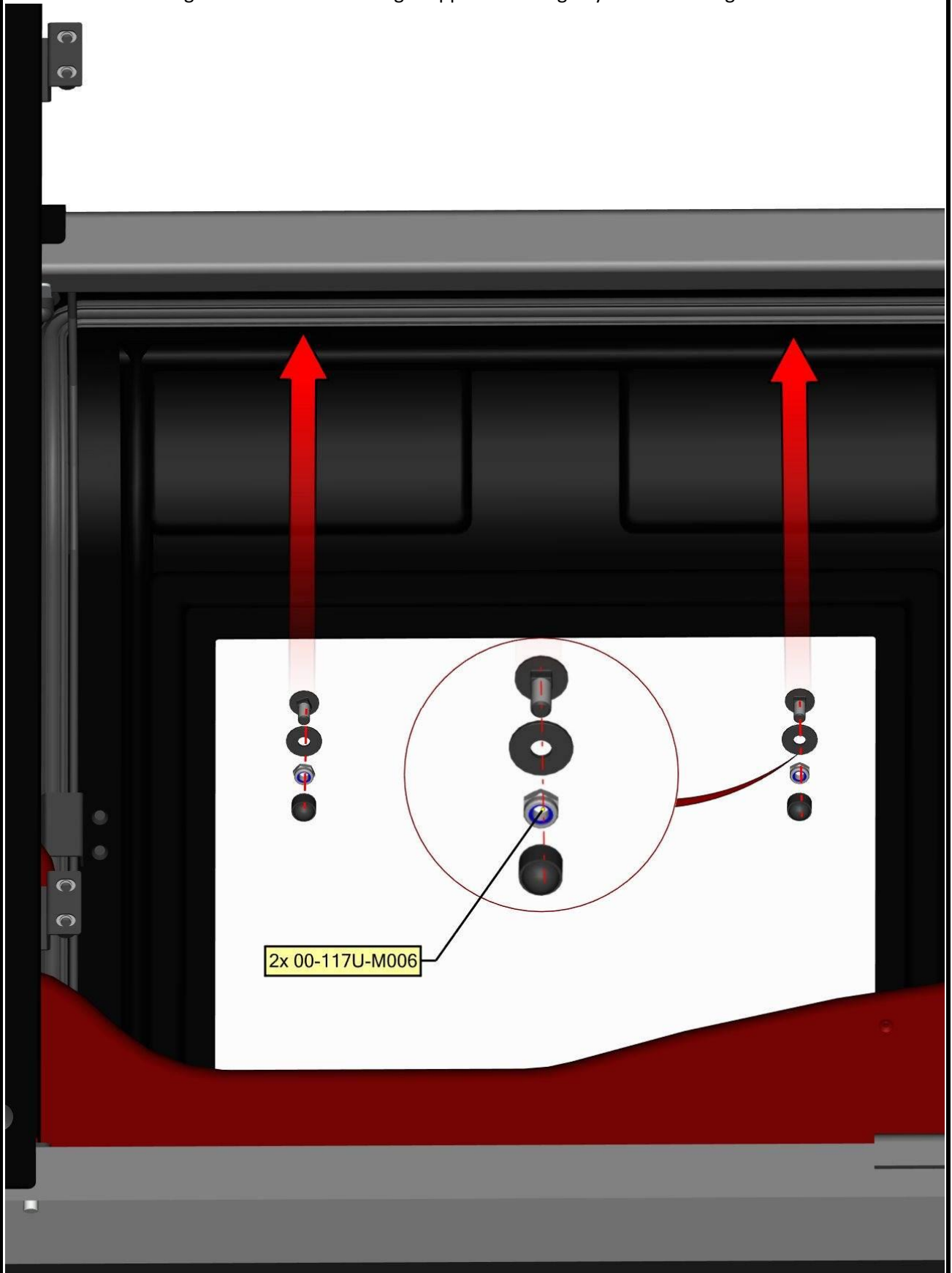
Fix the right rear door with the right door base by included fixing assemblies.



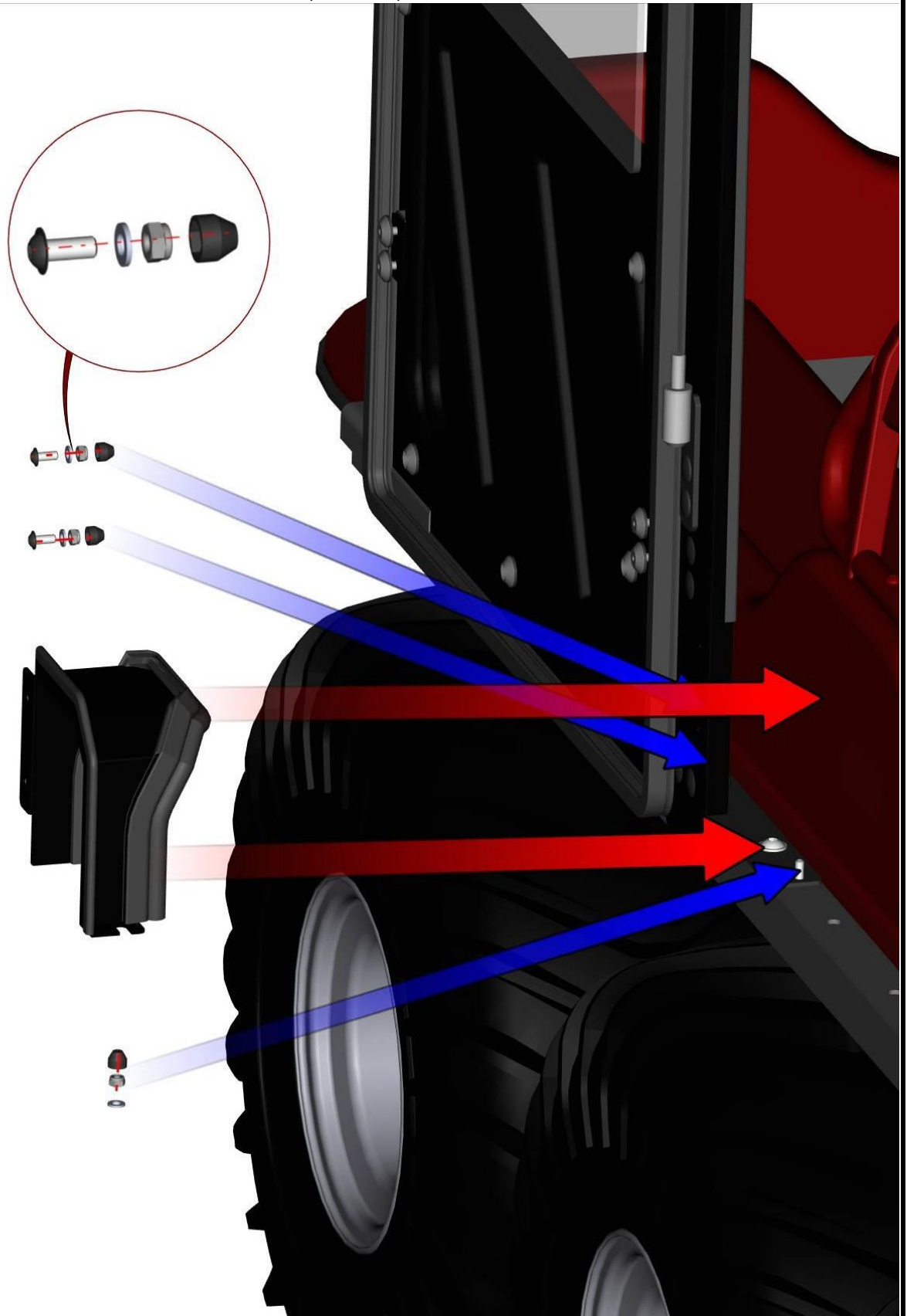
Place the rear door holders onto the right rear door and fix by included fixing assemblies.



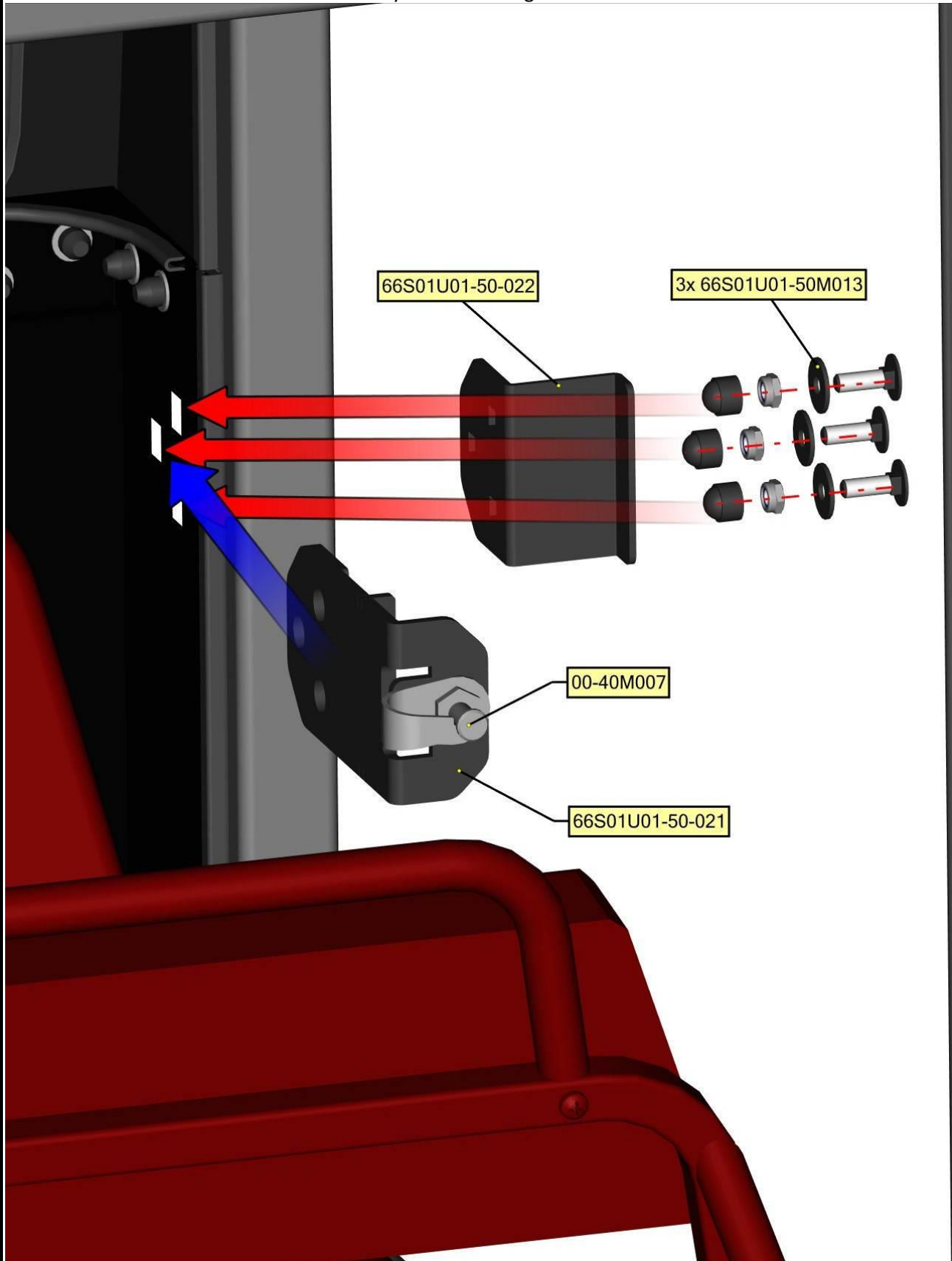
Fix the right rear door with the right upper door ledge by included fixing assemblies.



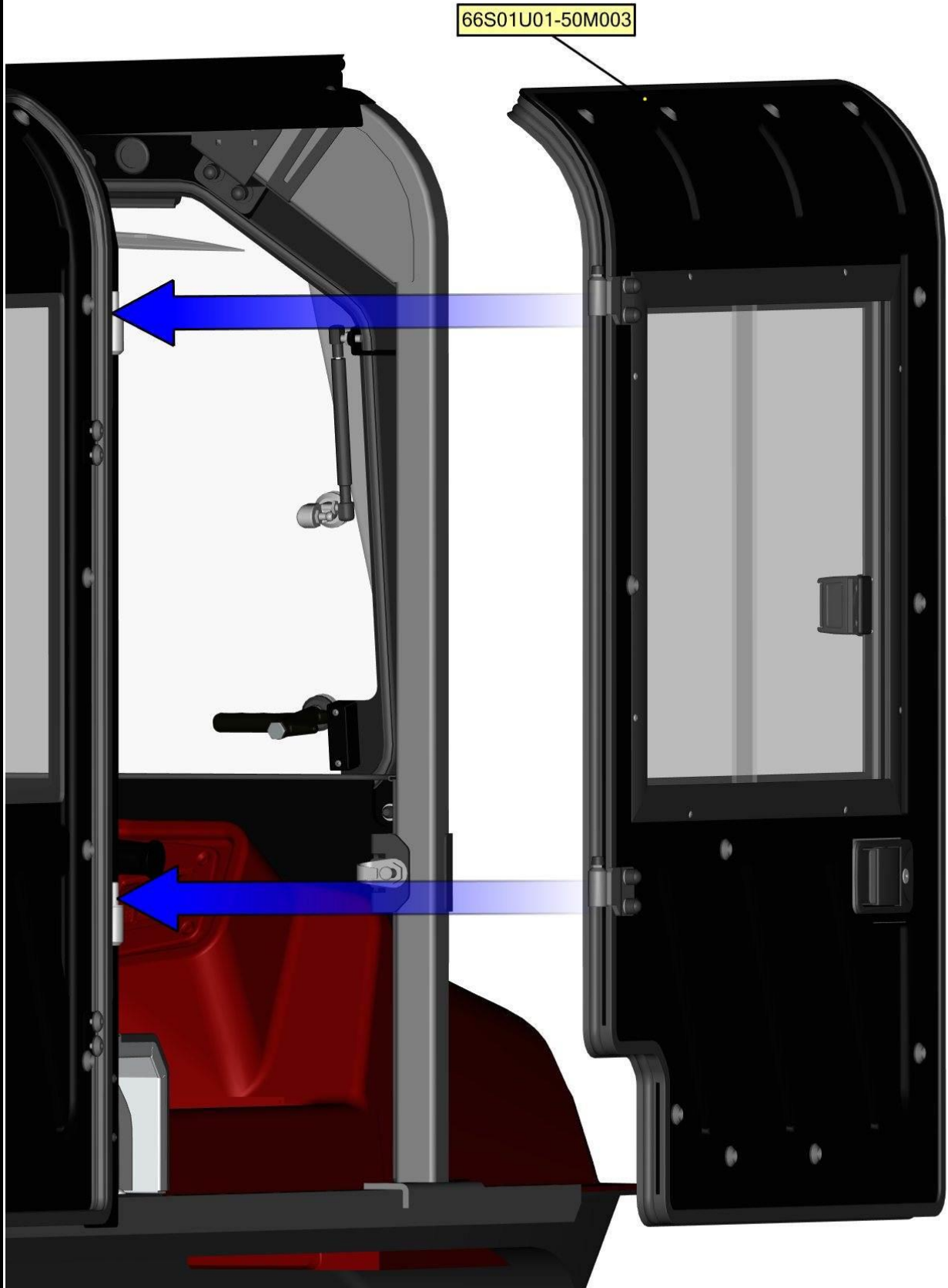
Place the gas tank cover into the position from inner side and fix it with the right door base by included screws, washers, nuts and covers.



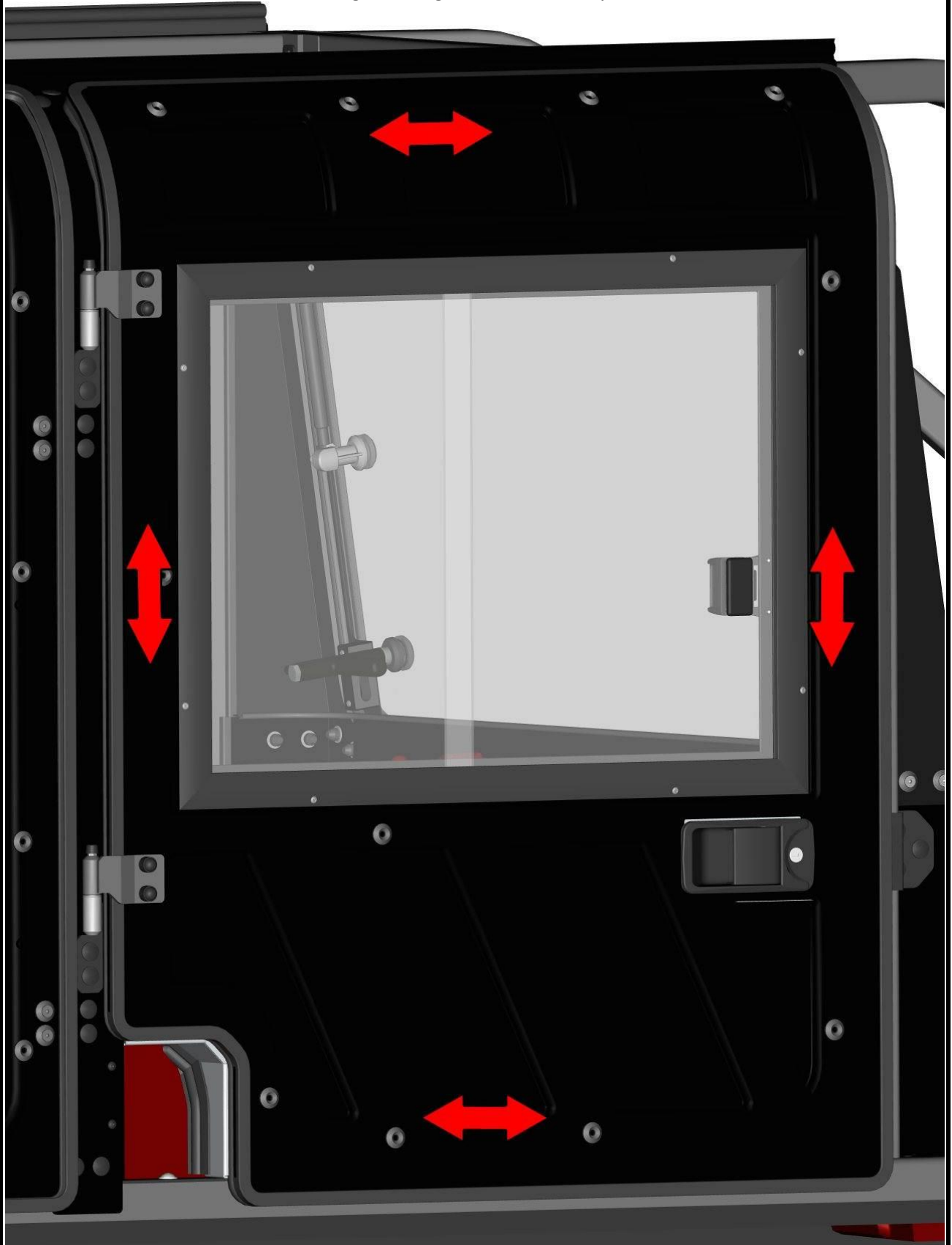
Place the right door stop assembly onto the front bottom ledge (66S01U01-50-022 from the outer side) and fix by included fixing assemblies.



Lubricate the hinges pins and place the right door onto the right frame hinges.

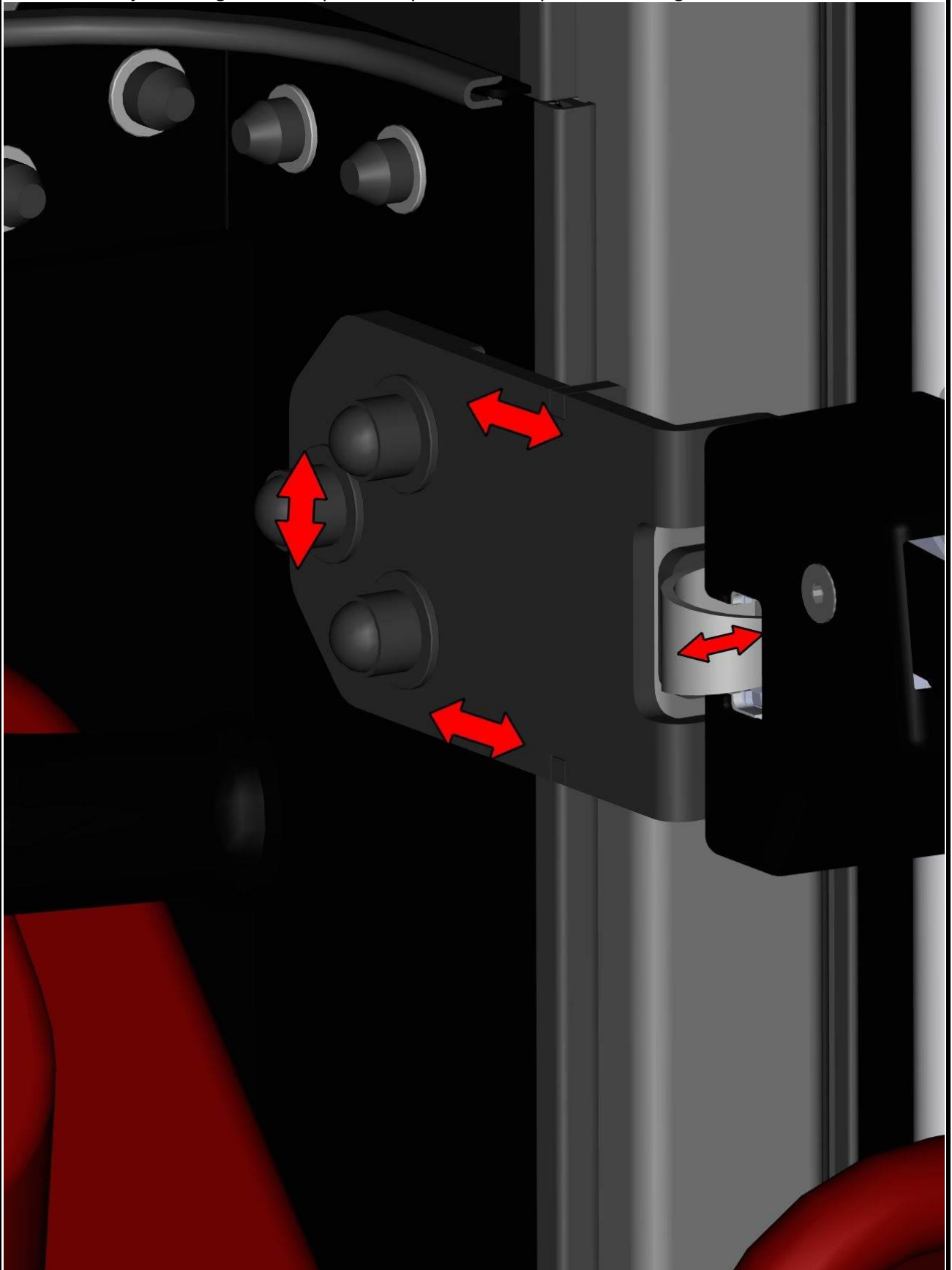


Loosen the hinges screws and adjust the right front door into the best position by hinges.
Tighten hinges screws correctly.



43

Adjust the right door stop assembly into the best position and tighten screws hard.



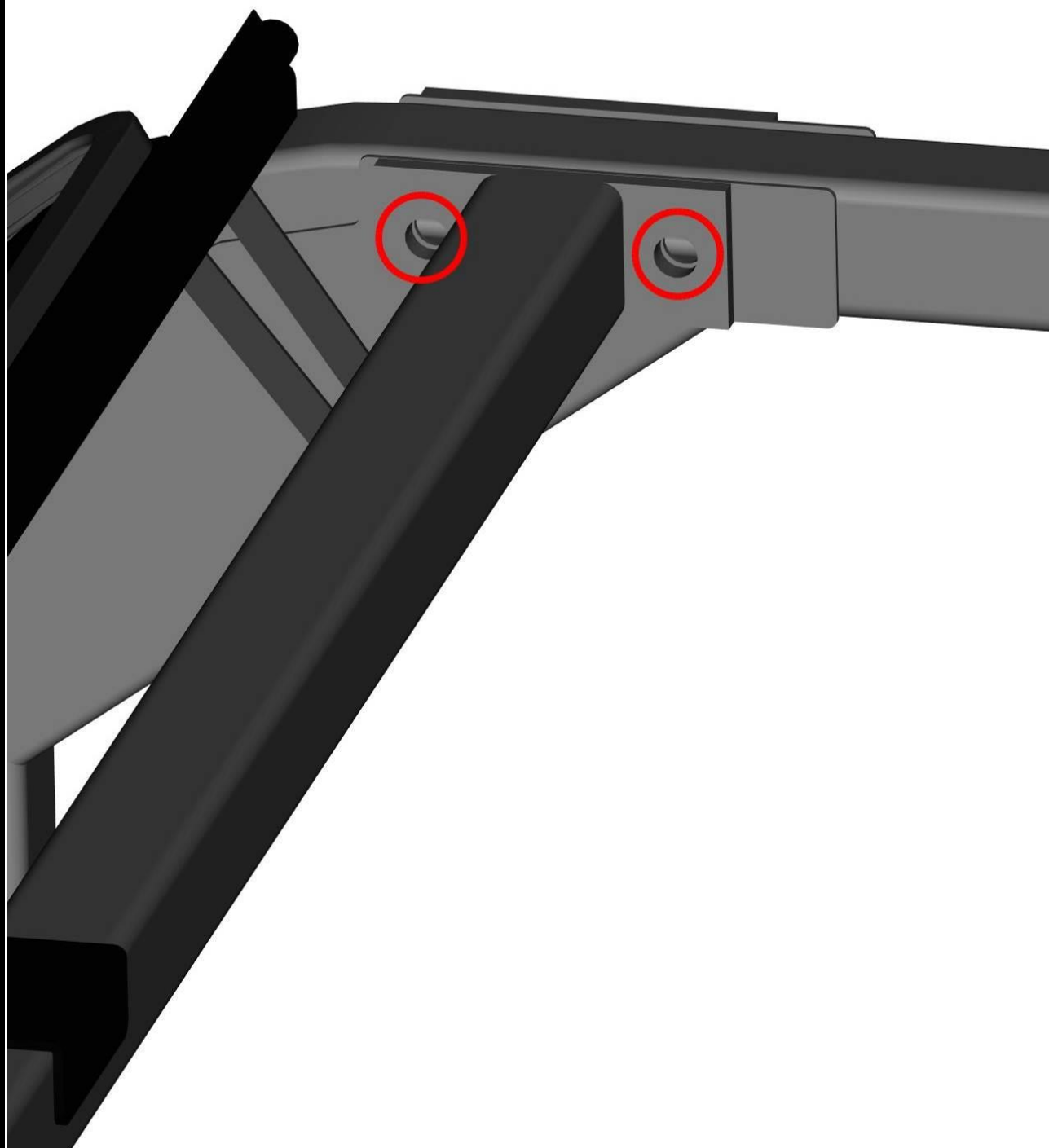
Repeat previous steps with the left assemblies.



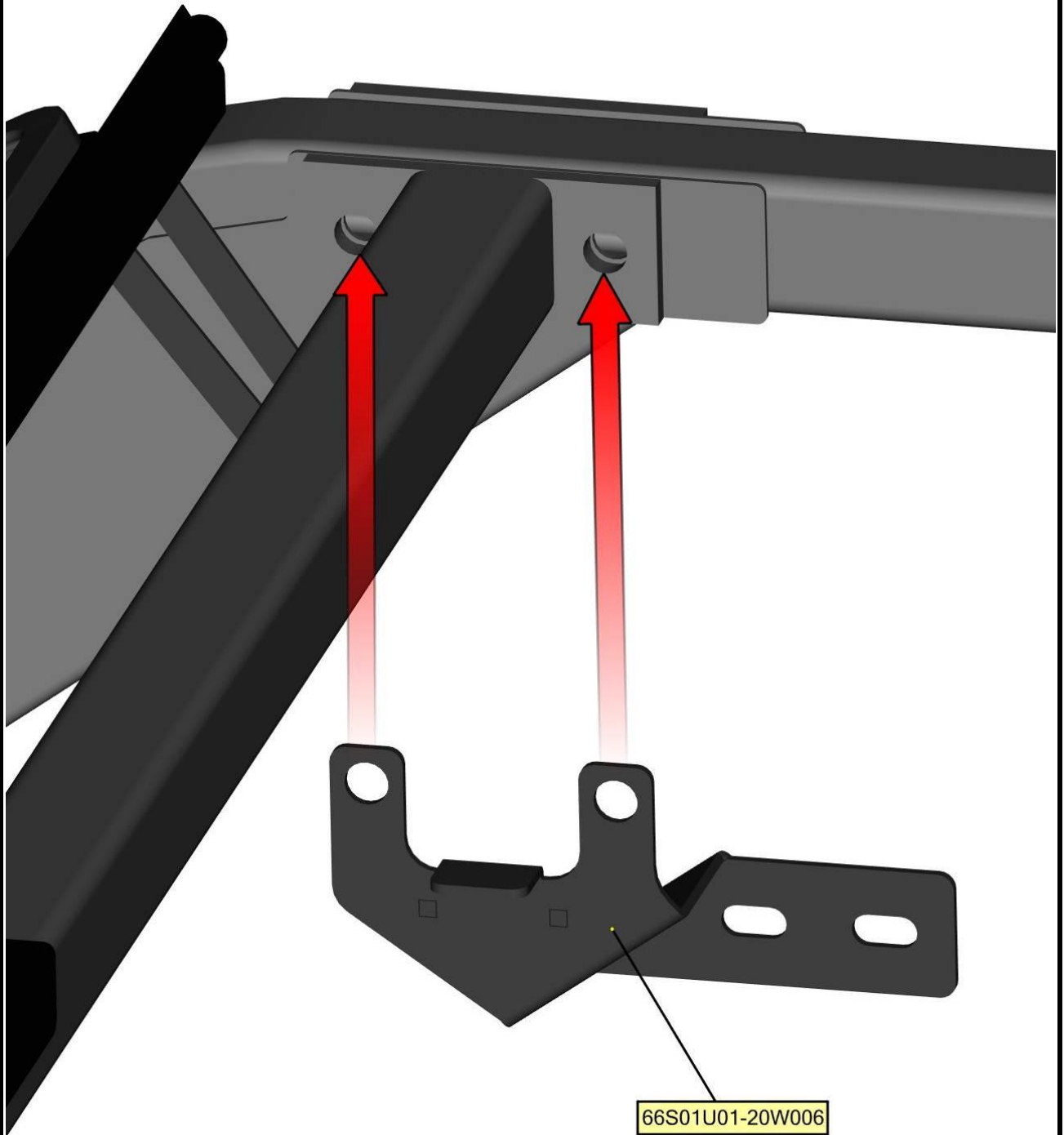
45

REAR PANEL

One by one uninstall original screws from the rear part of the upper ledge.
Replace the screws from the outside on both sides.

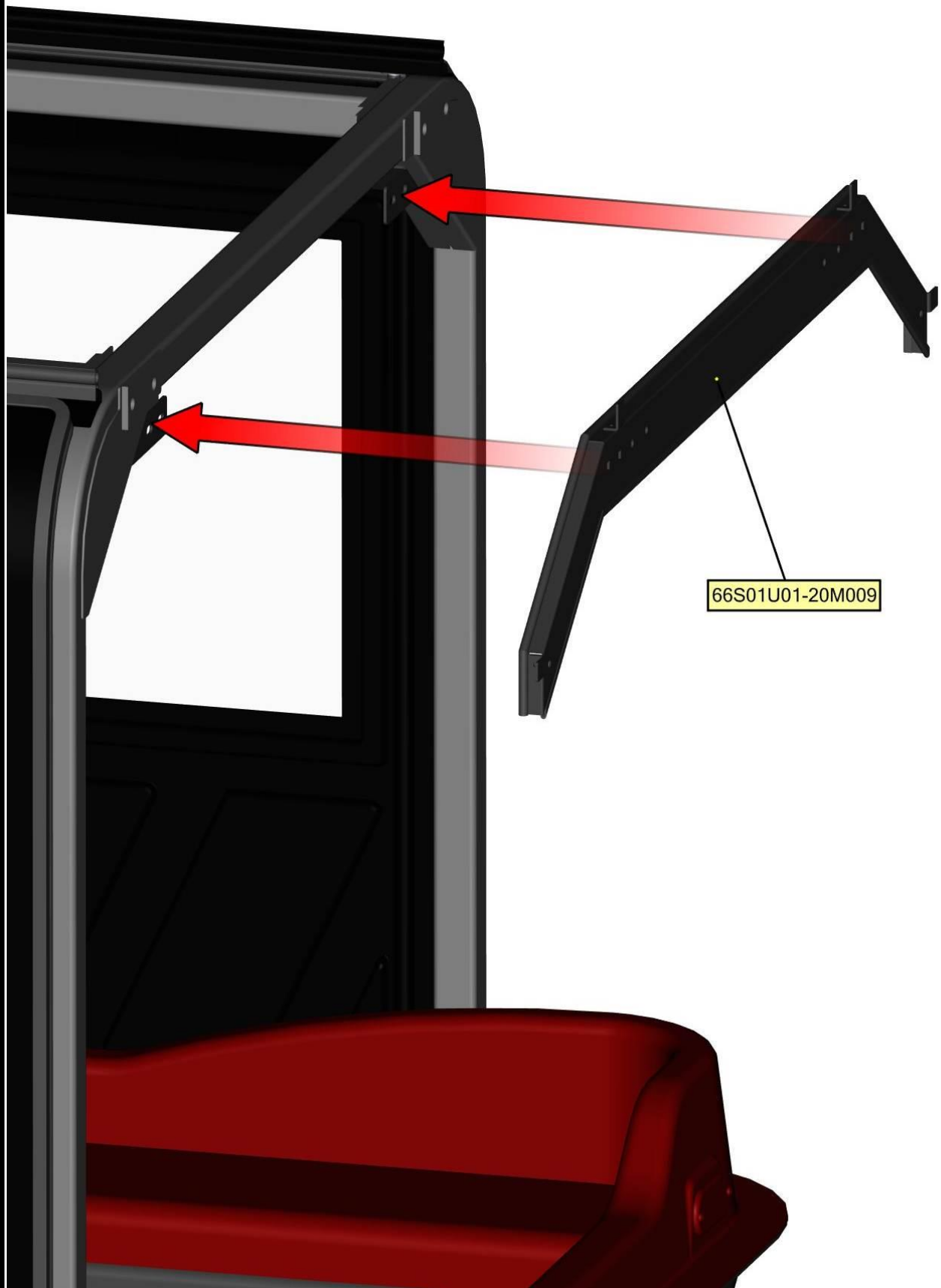


Place the rear upper ledge holder into the position and fix by original screws, washers and nuts from previous step on both sides.

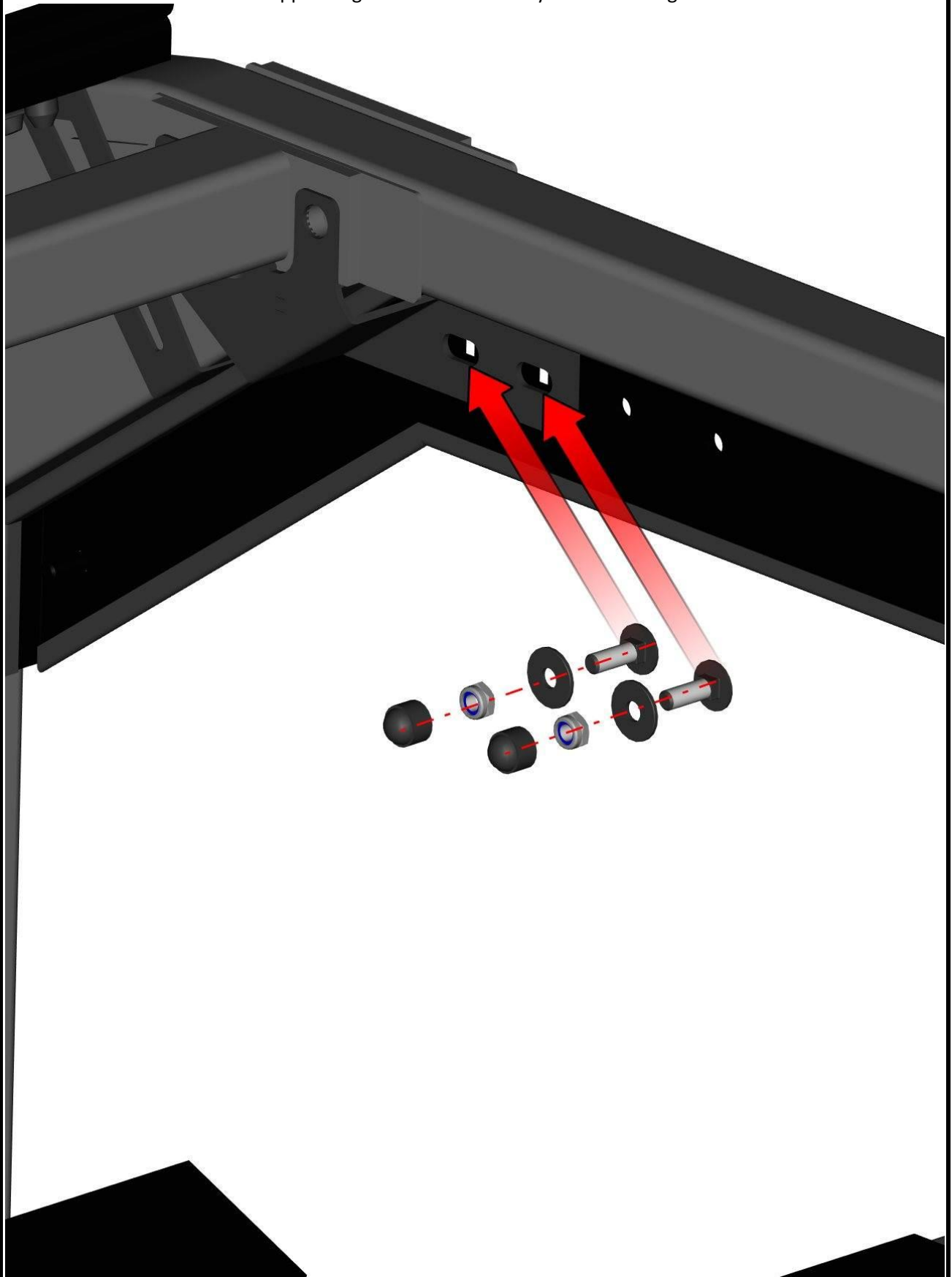


47

Place the rear upper ledge onto the holders.



Fix the rear upper ledge with the holders by included fixing assemblies.

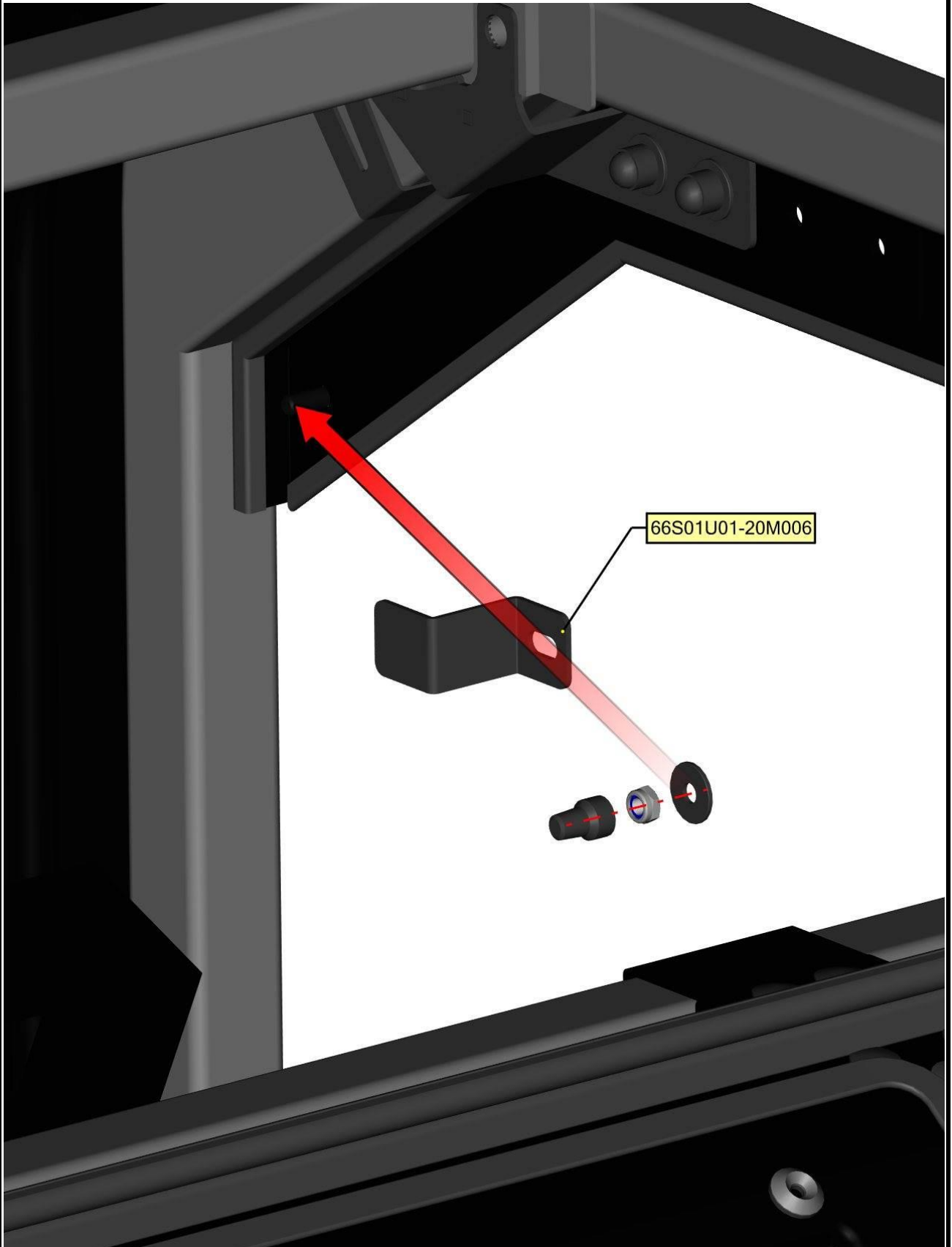


DETAILED VIEW

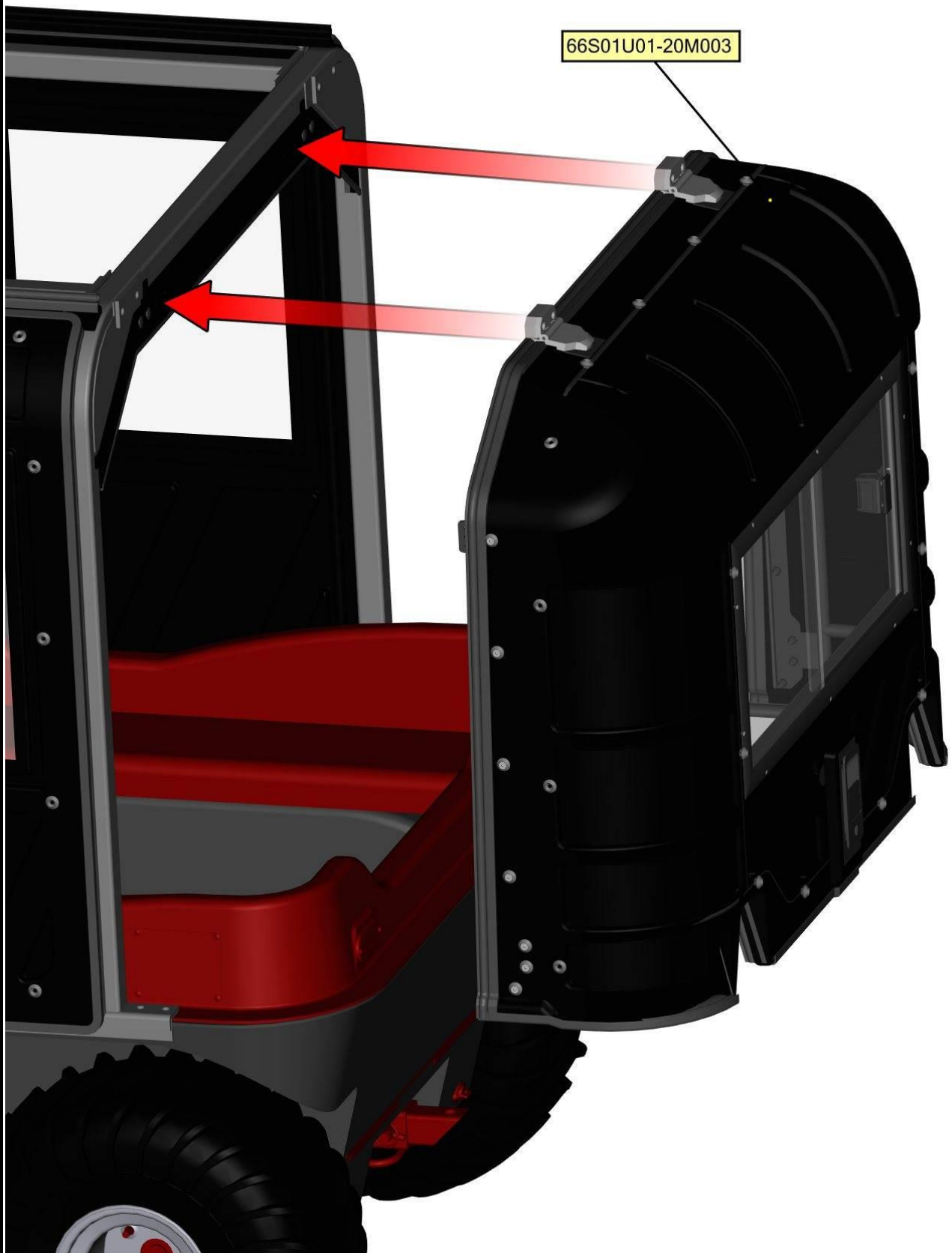


50

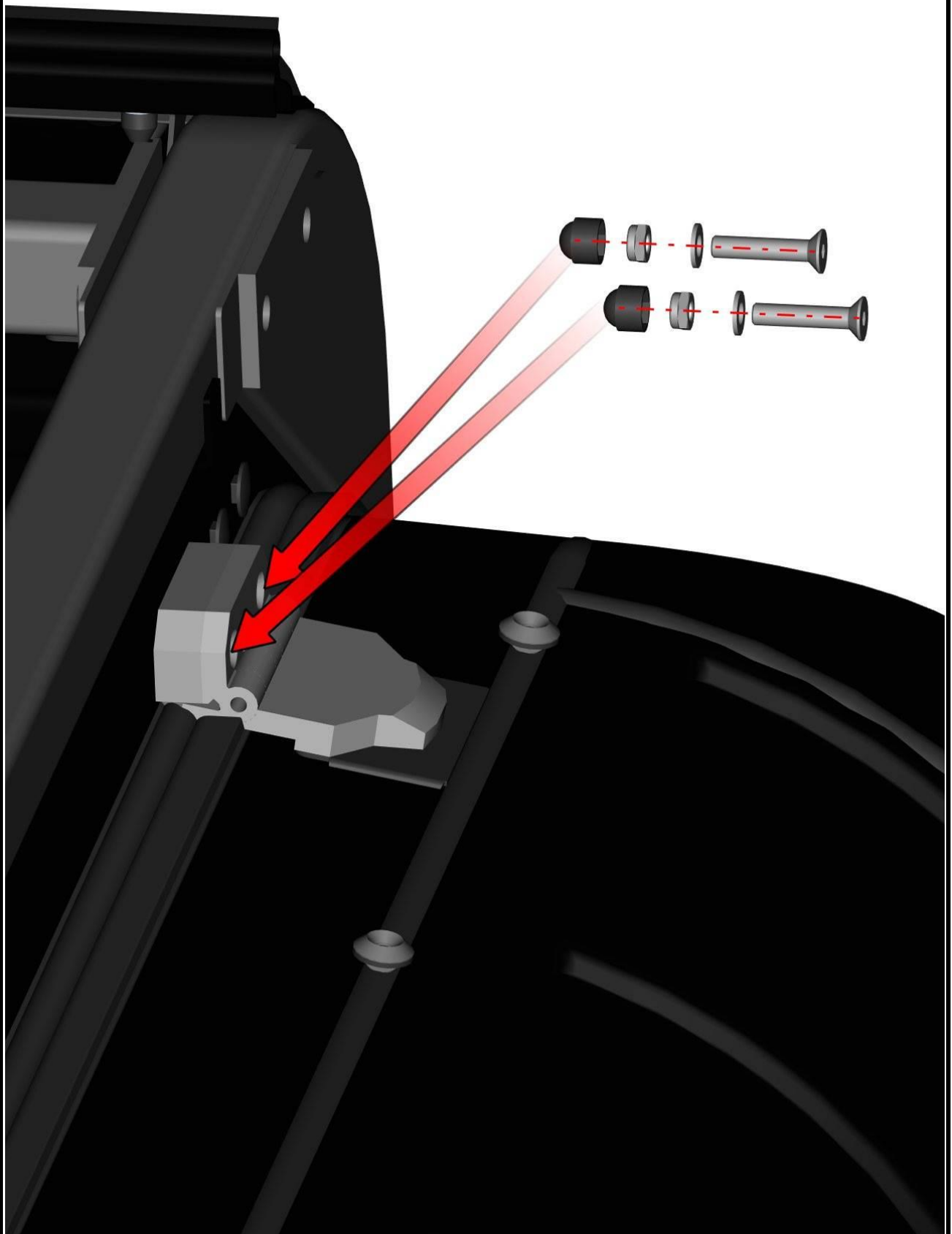
Place the rear upper ledge holder onto the rear upper ledge and fix by included fixing assembly on both sides.



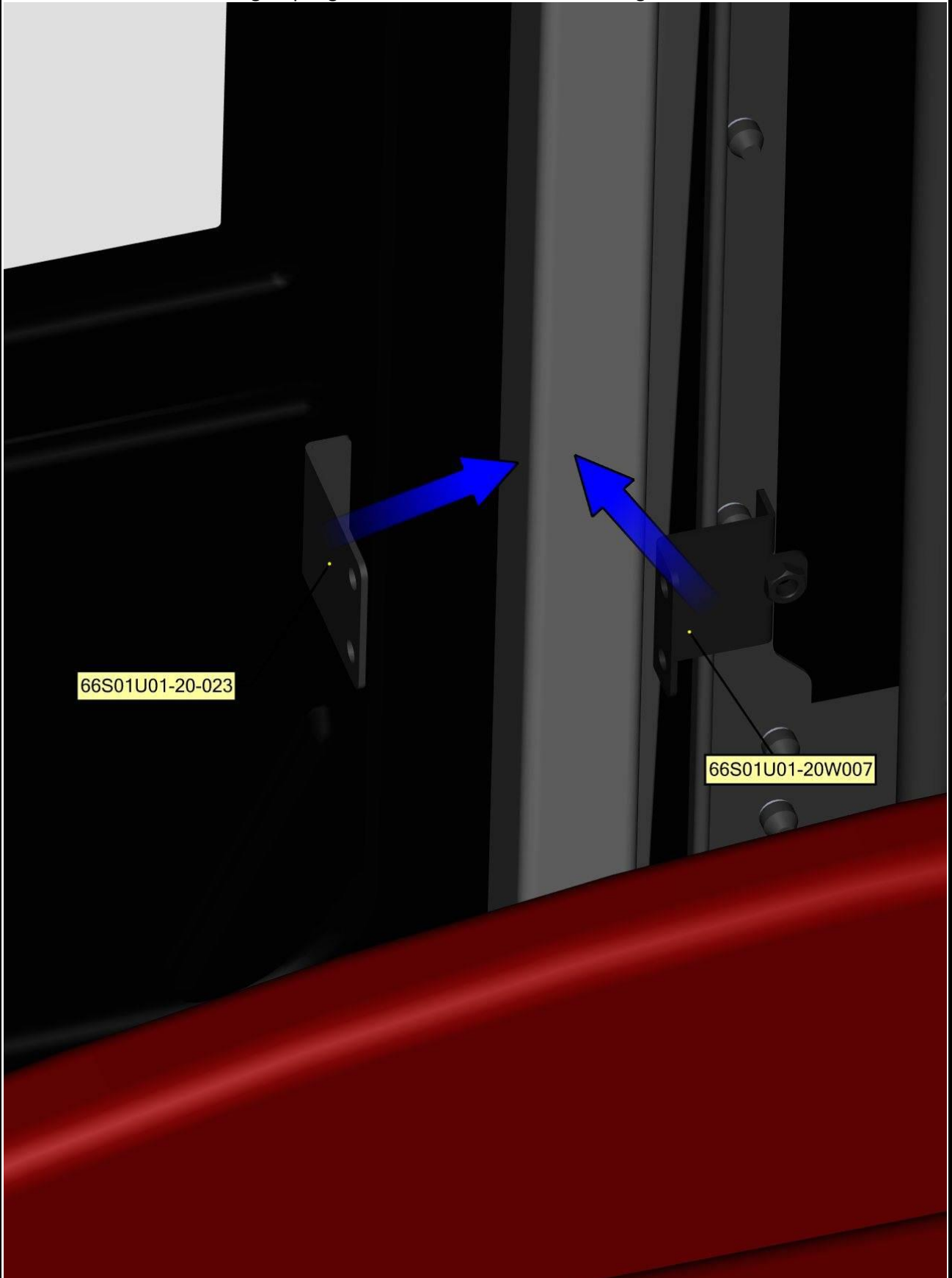
Place the rear door assembly onto the rear upper ledge by hinges and adjust it into the best position.



Fix the rear door assembly with the rear upper ledge by included fixing assemblies on both sides.



Place the gas spring holders onto the vehicles rear ledge on both sides.

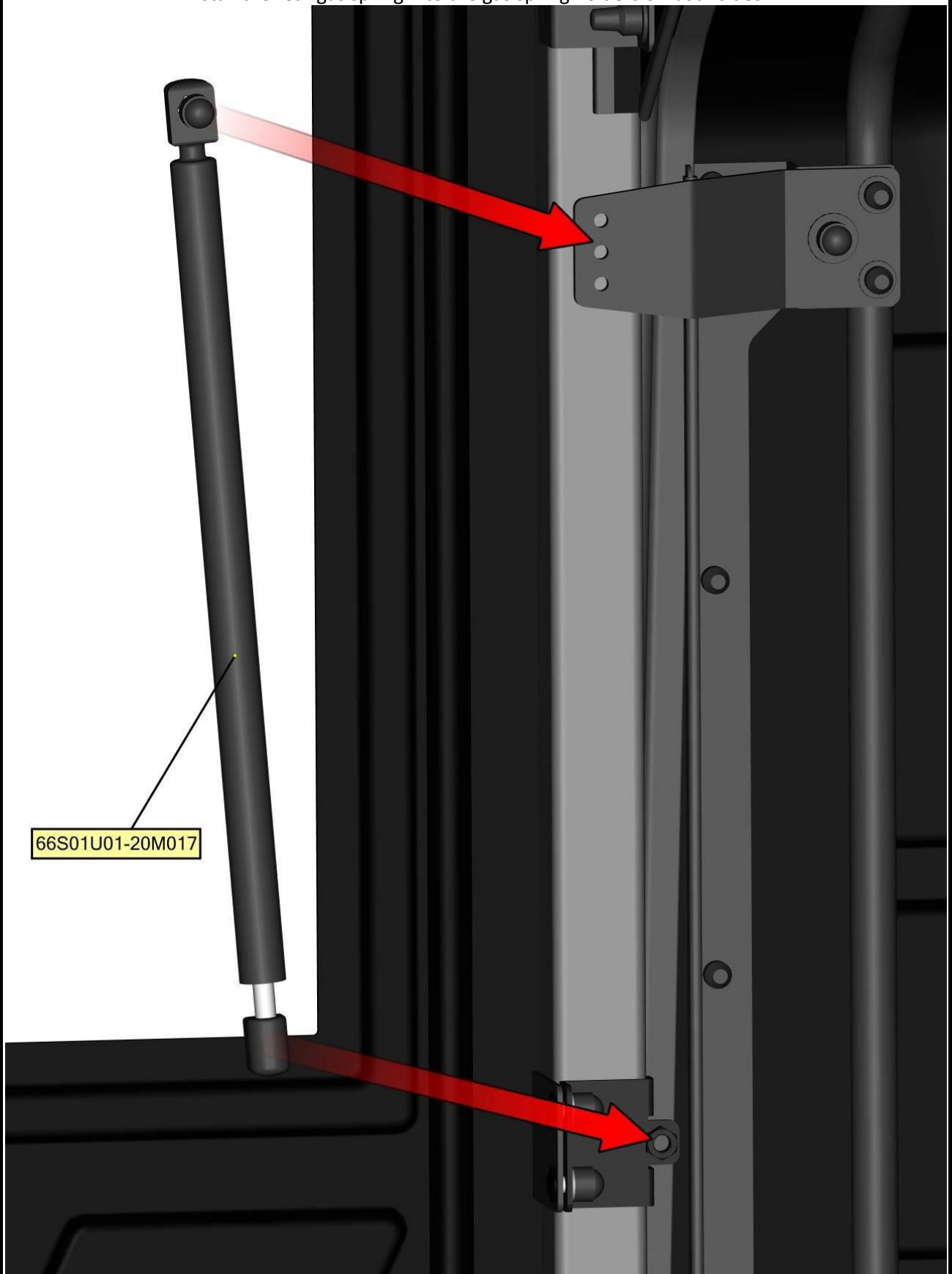


54

Fix the gas spring holders together by included fixing assemblies on both sides.

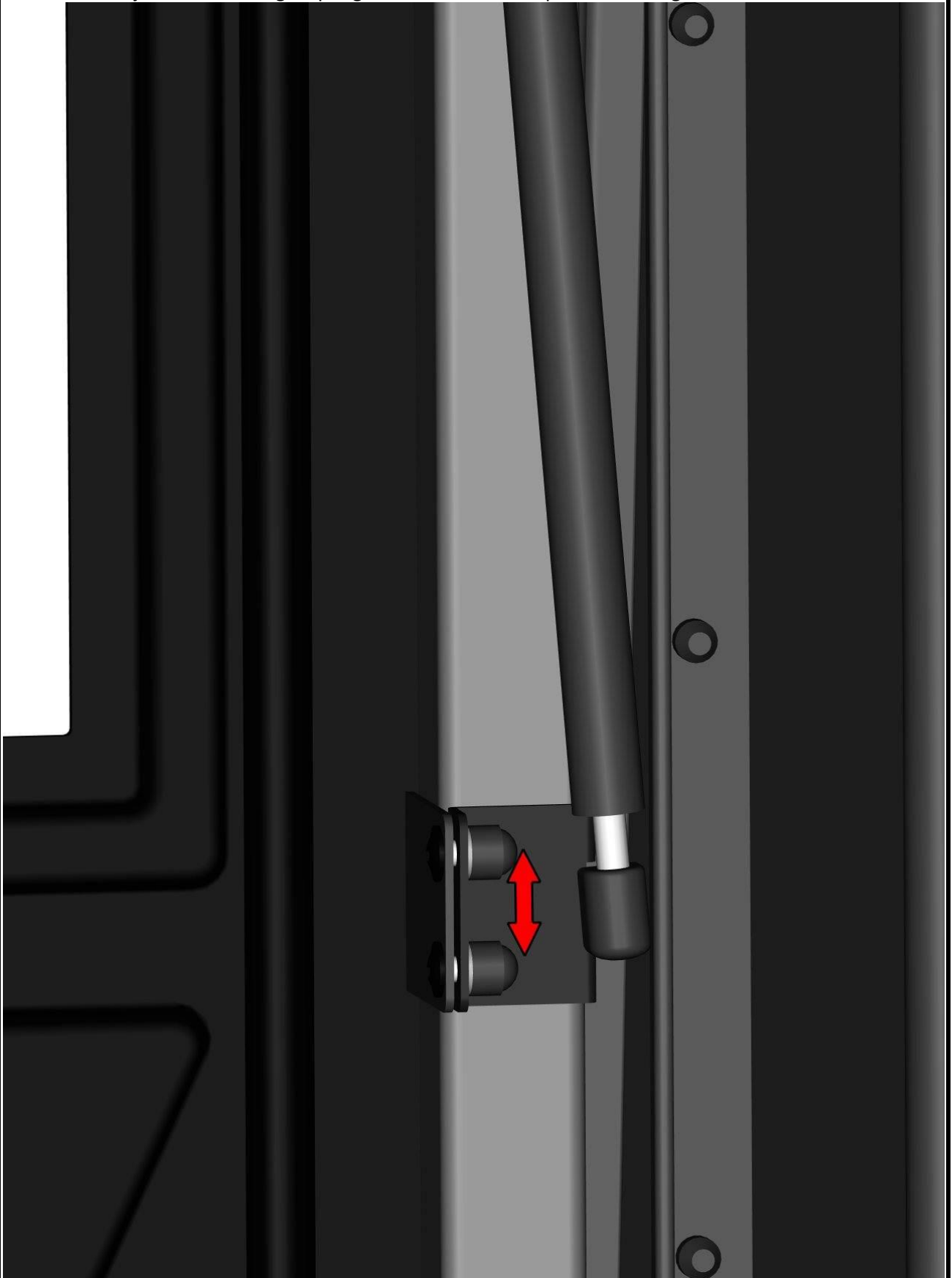


Install the rear gas spring into the gas spring holders on both sides.

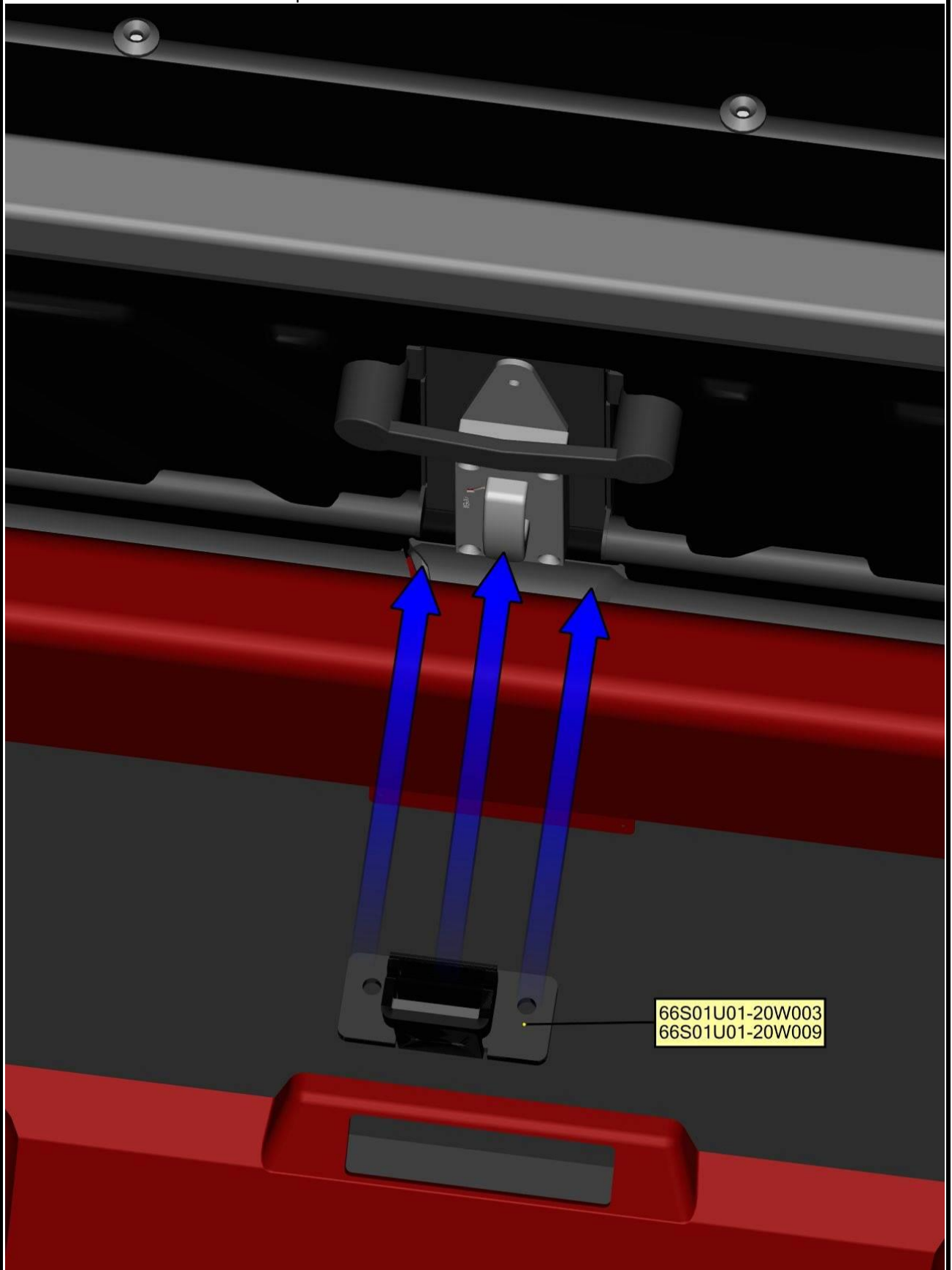


66S01U01-20M017

Adjust the bottom gas spring holder into the best position and tighten screws hard.



Place the rear door stop onto the vehicles frame in accordance with the rear door lock.

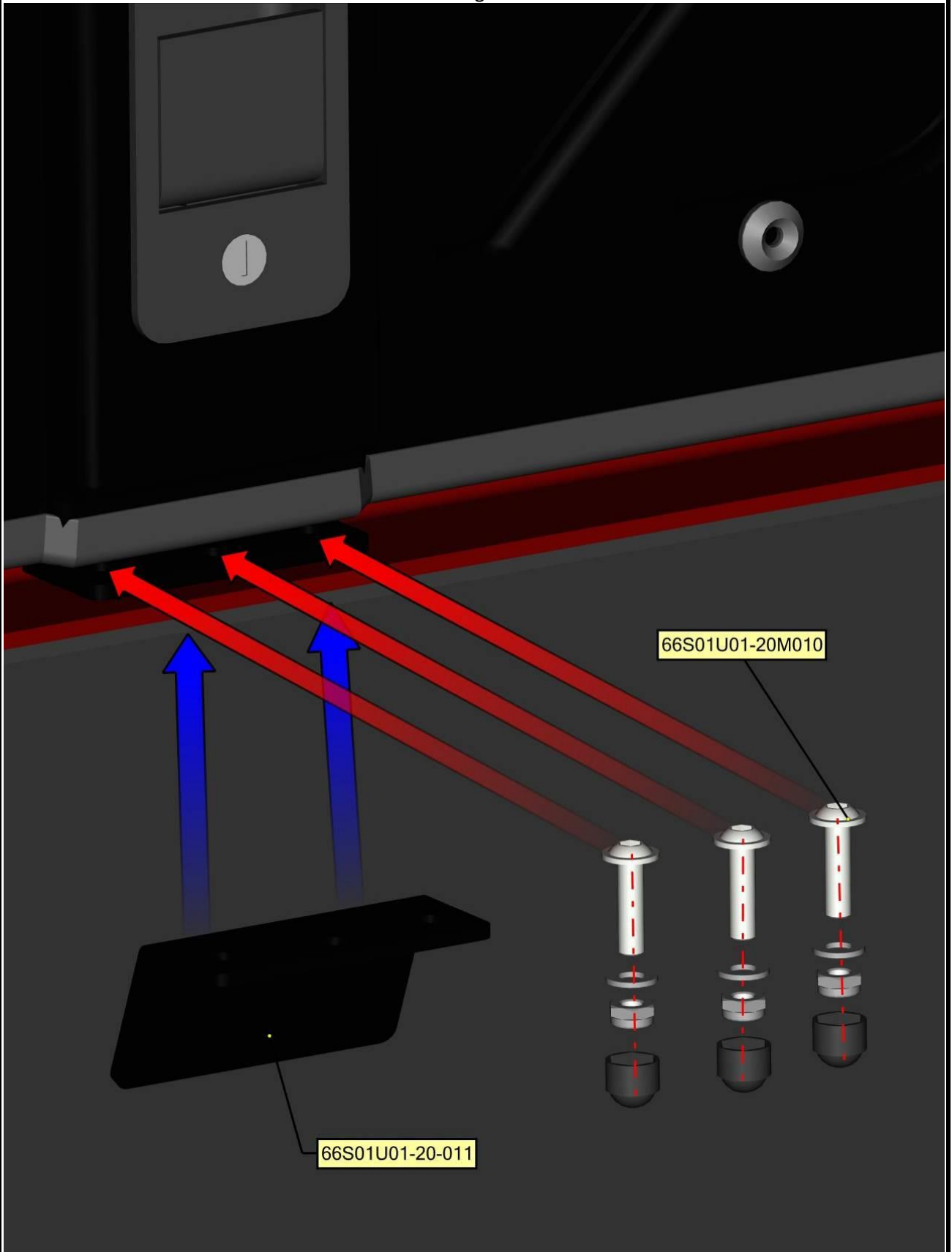


58

Make marks onto the vehicles frame in accordance with the rear door stop holder holes.
Drill holes $\varnothing 9\text{mm}$ into the marks centers.



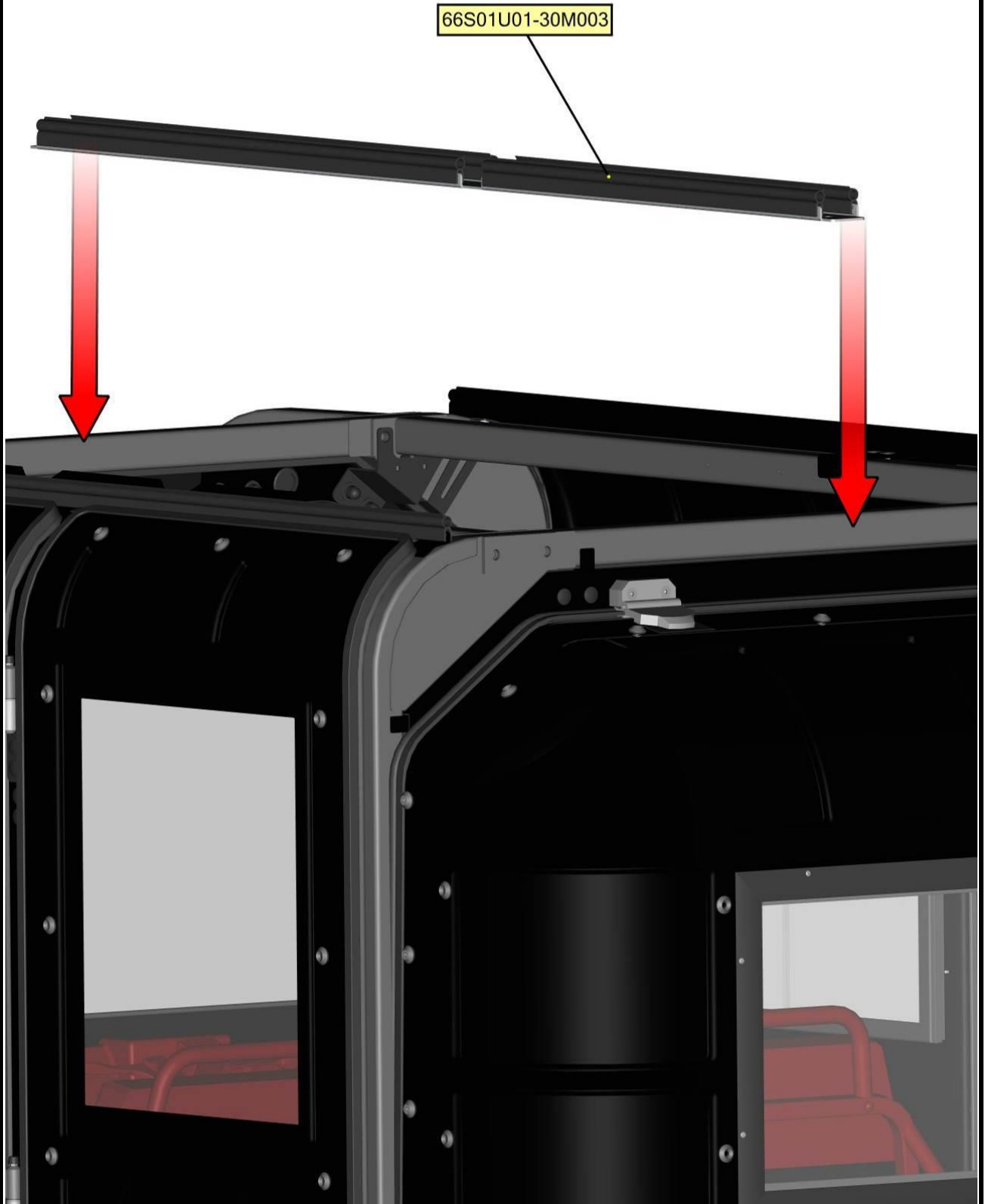
Place the bottom part of the rear door stop assembly into the position and fix it with the upper part by included fixing assemblies.



60

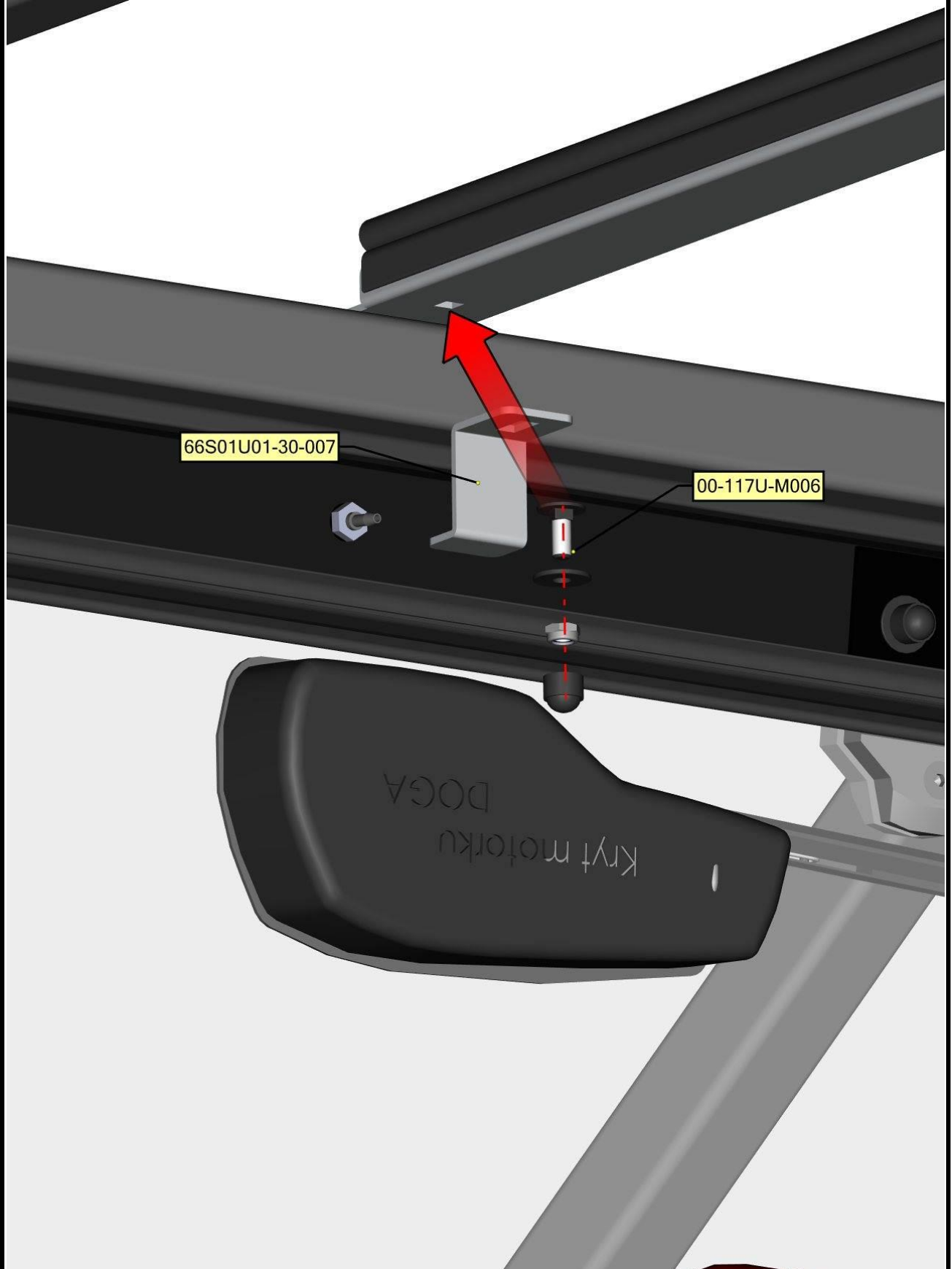
ROOF

Place the support roof ledge onto the frame.



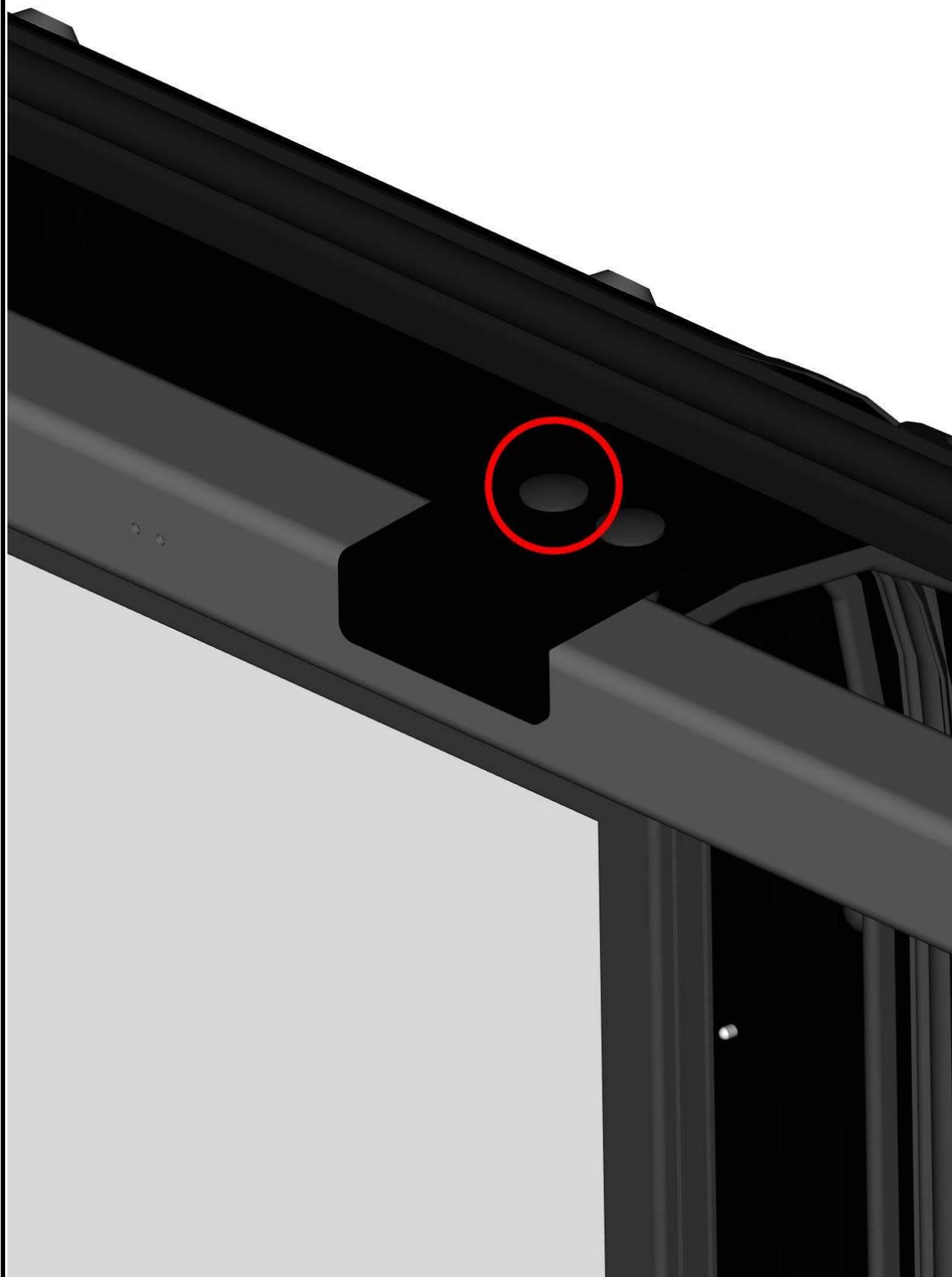
61

Place the support roof ledge holder onto the support roof ledge and fix by included fixing assembly.



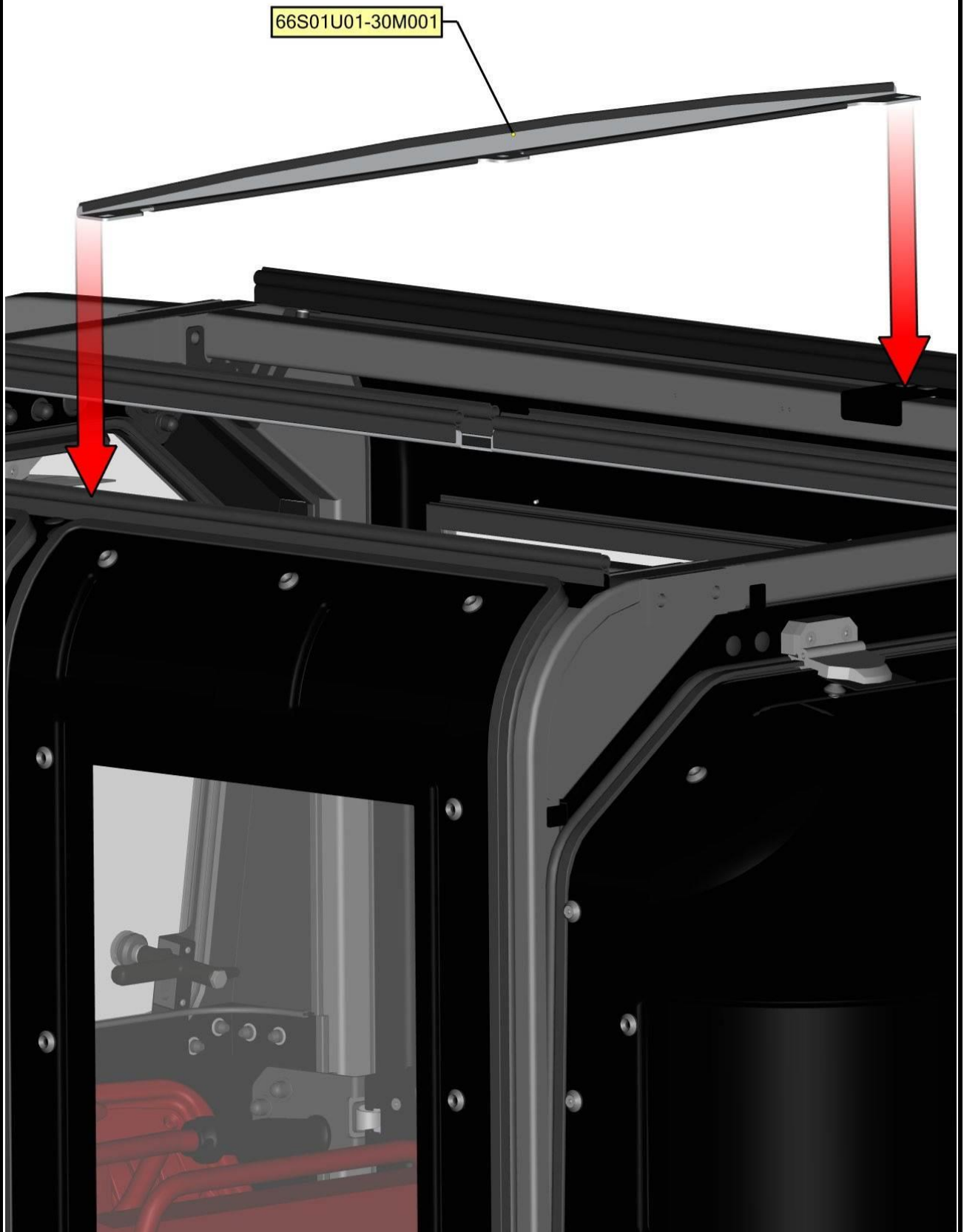
62

Uninstall front fixing assembly from the door base upper holder (red circle).



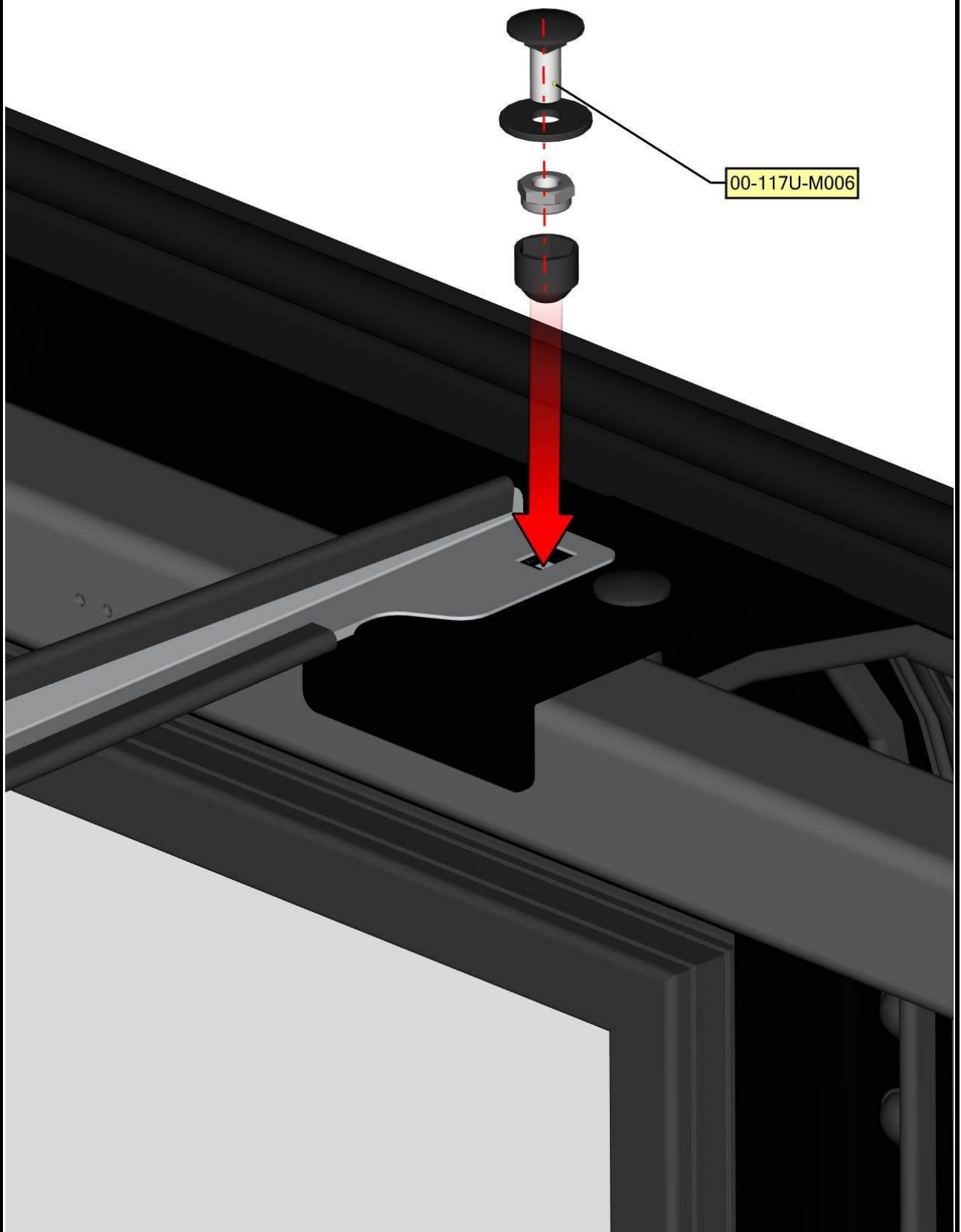
63

Place the middle roof ledge onto the door bases.



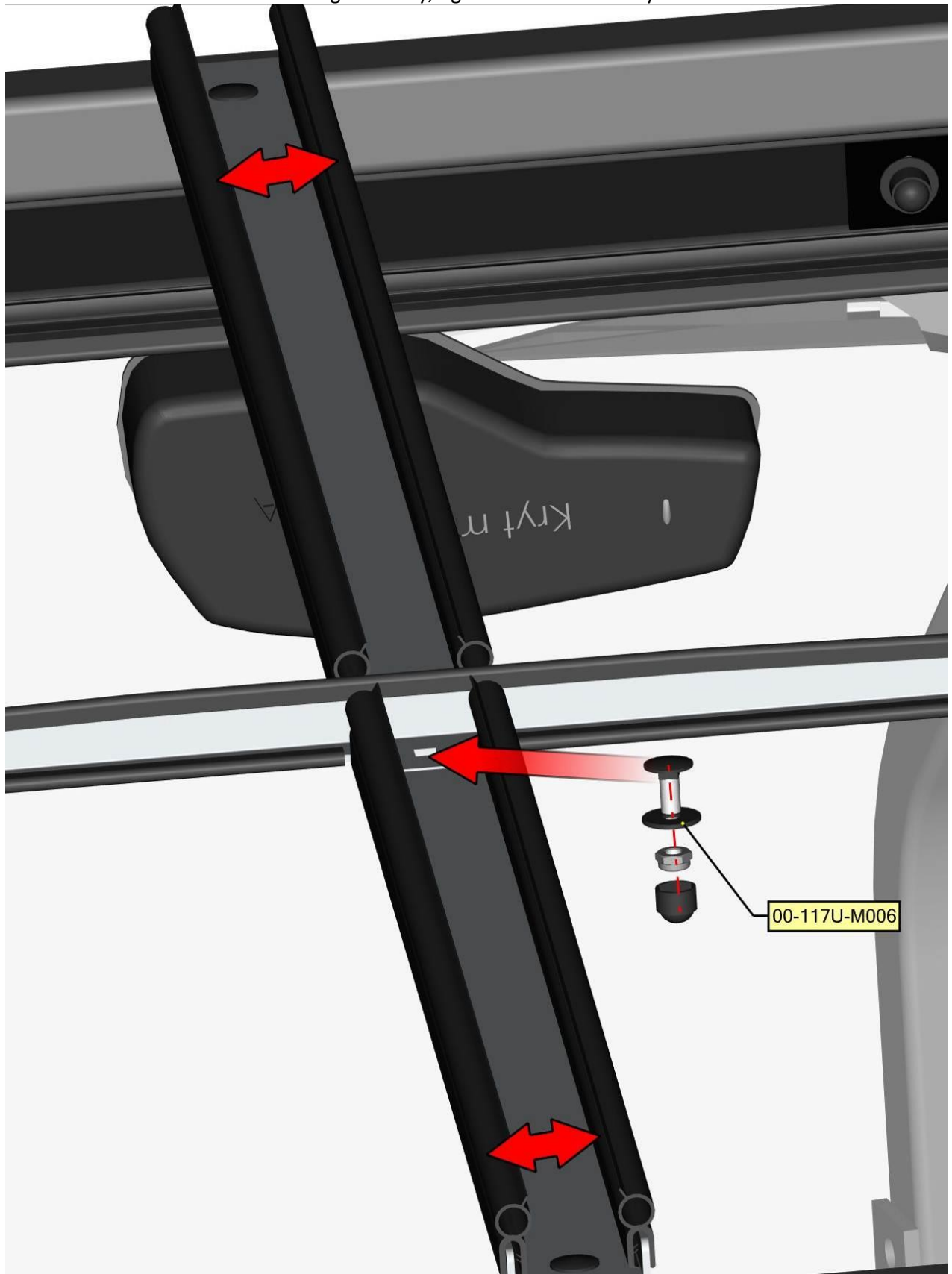
64

Fix the middle roof ledge by the door base upper holder fixing assembly.



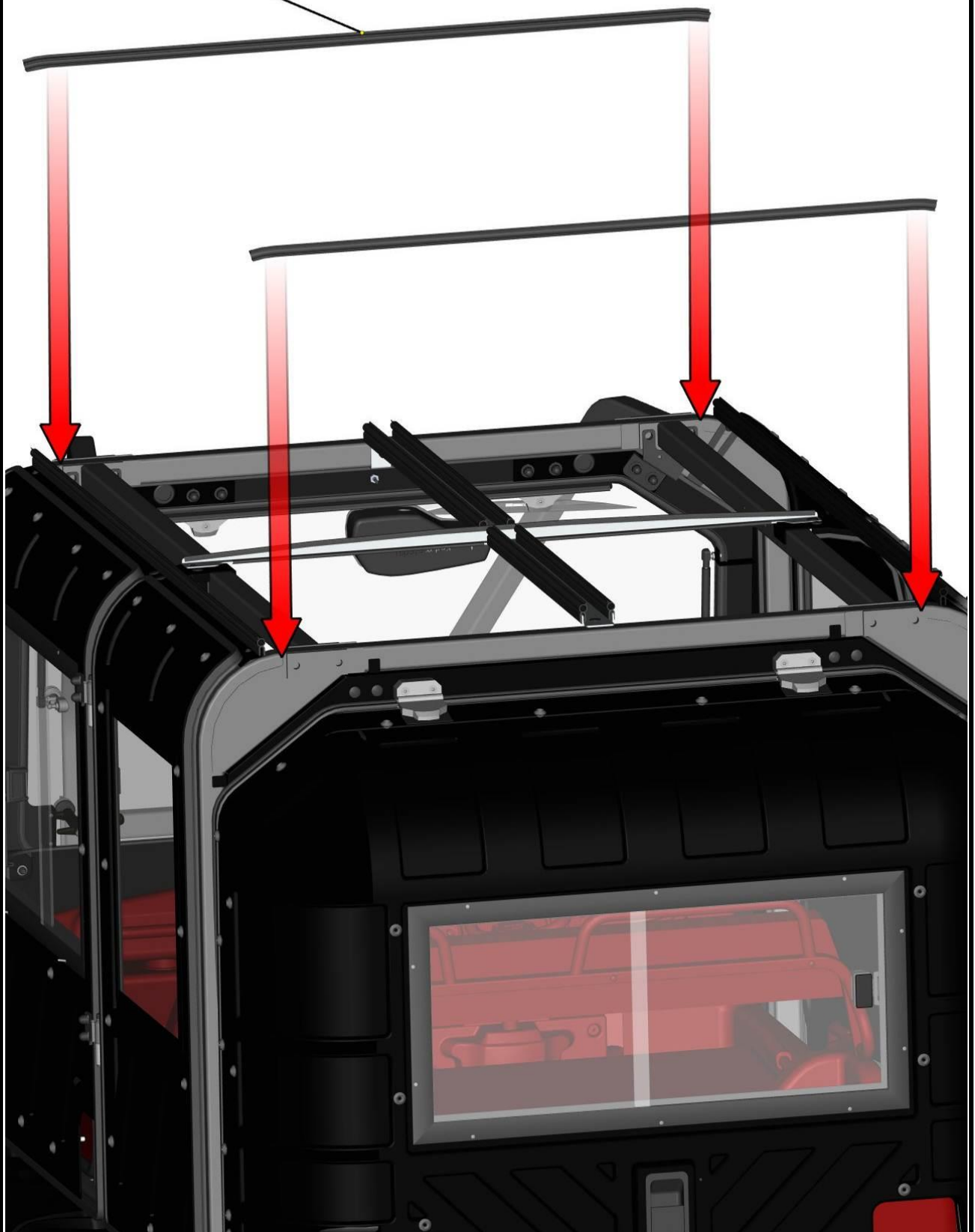
65

Adjust the support roof ledge into the best position and fix it with the middle roof ledge by included fixing assembly, tighten all nuts correctly.



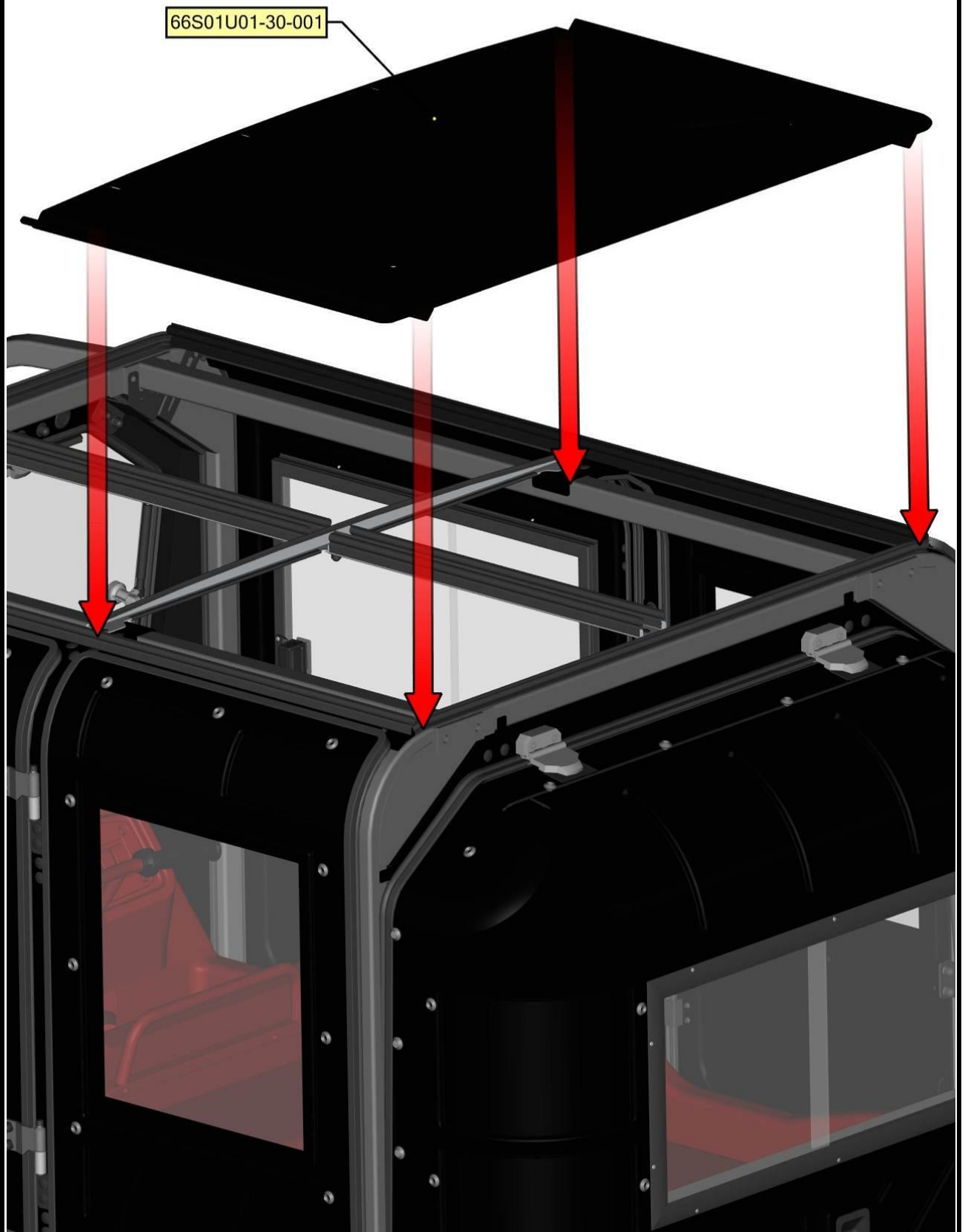
Stick the self glued rubber profile "SARAZIN" onto the vehicle frame.

001010^66S01U01S30



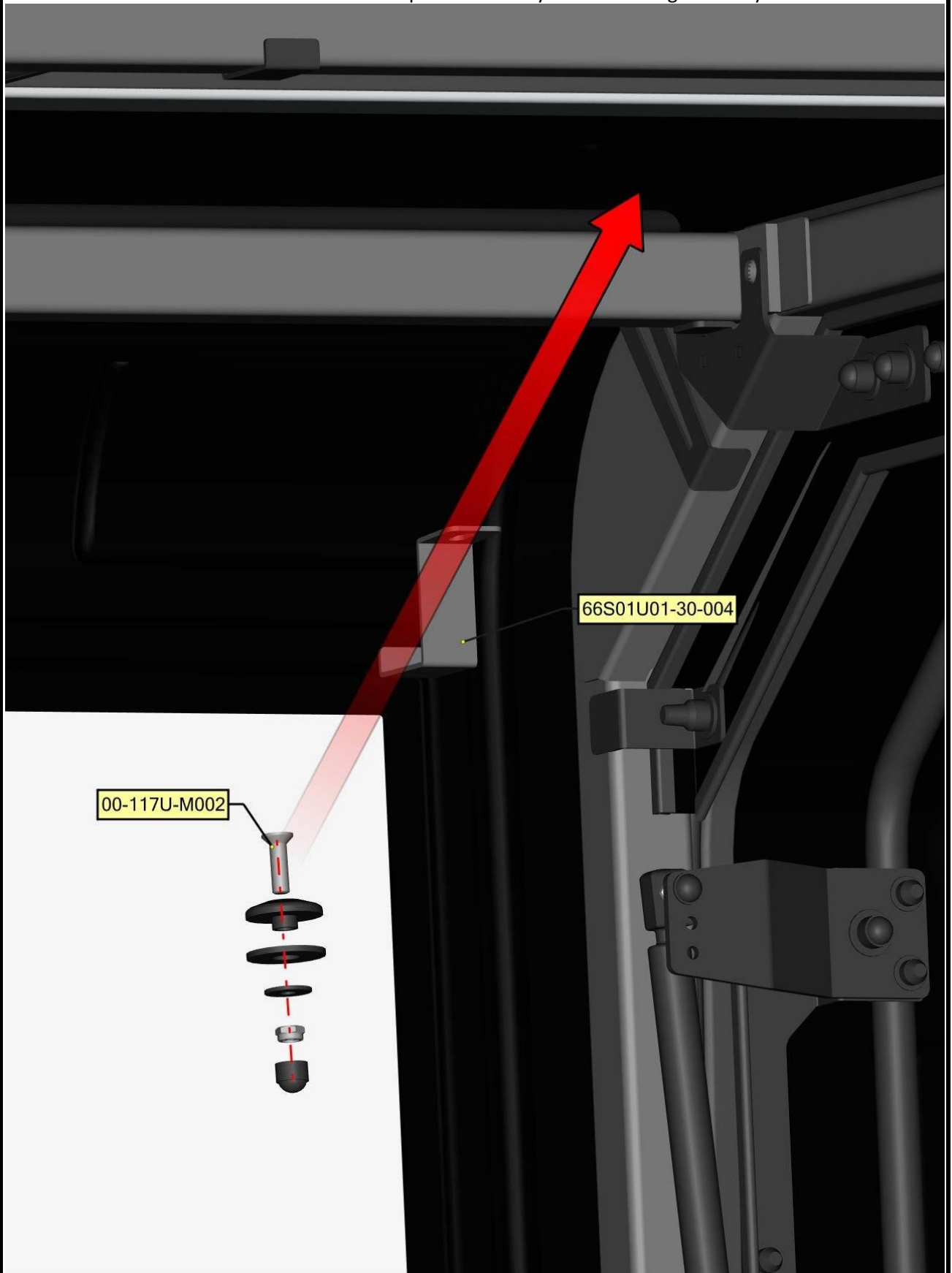
67

Place the rear roof panel onto the roof ledges.

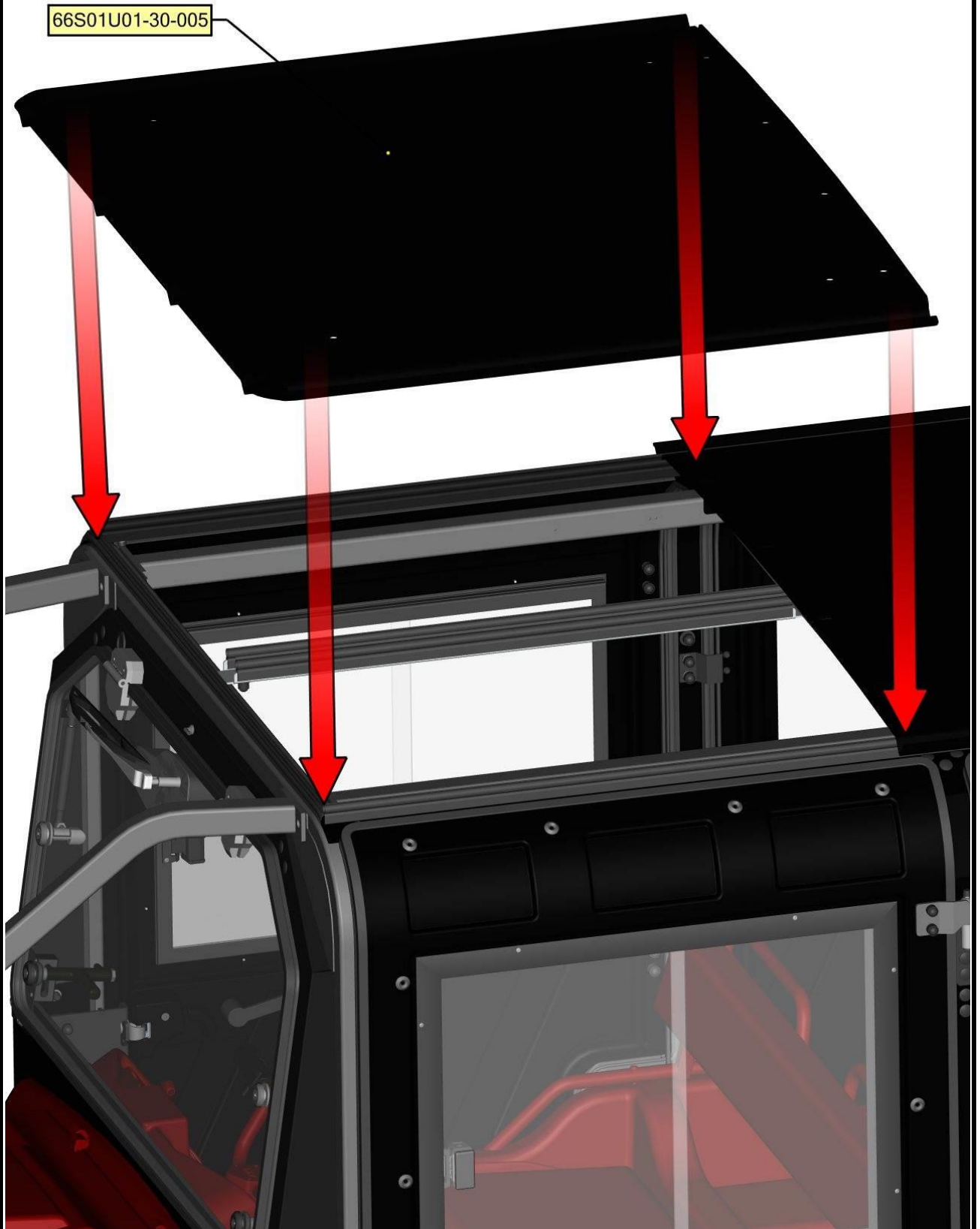


68

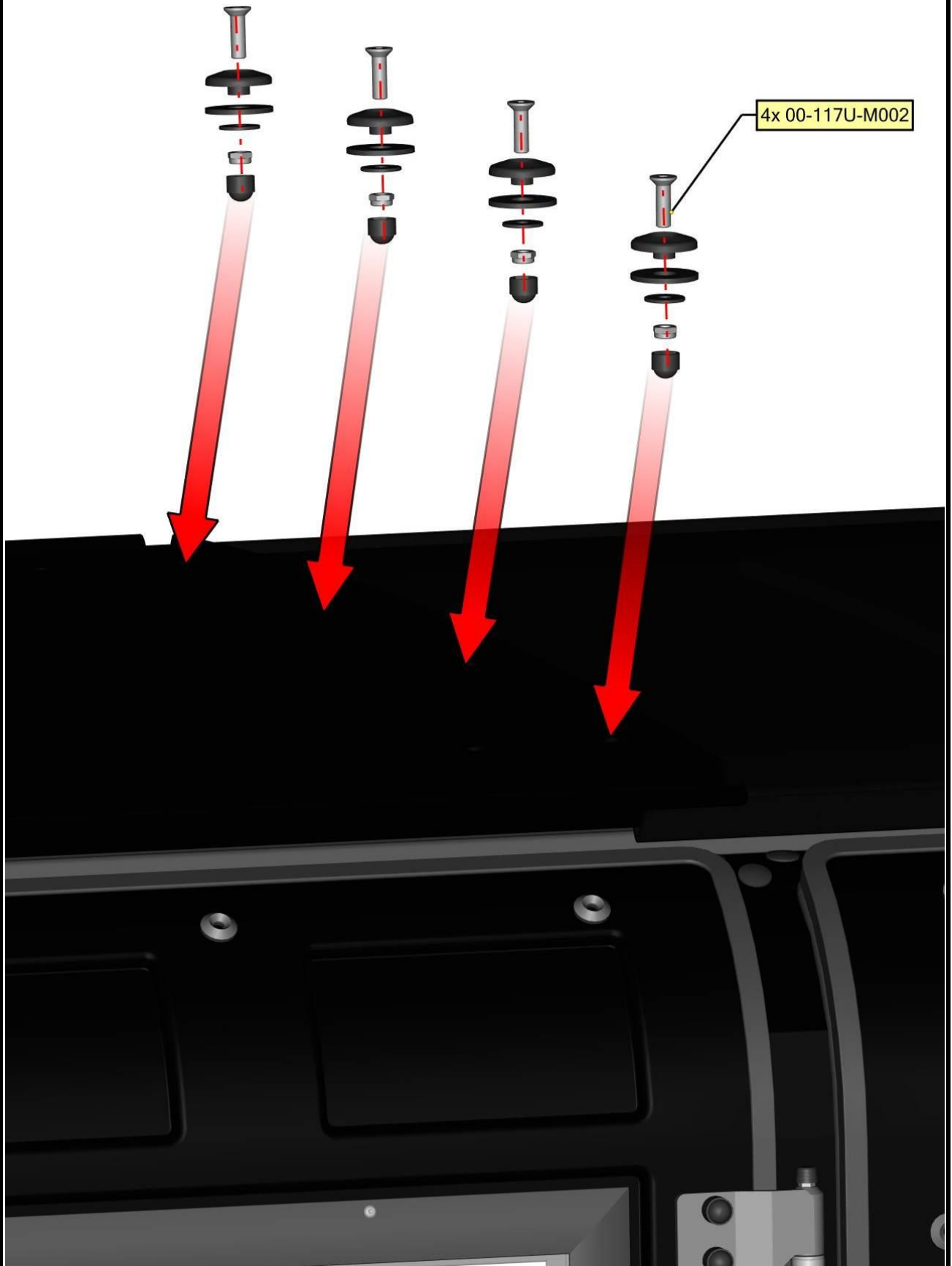
Place the roof holder onto the rear roof panel and fix by included fixing assembly on both sides.



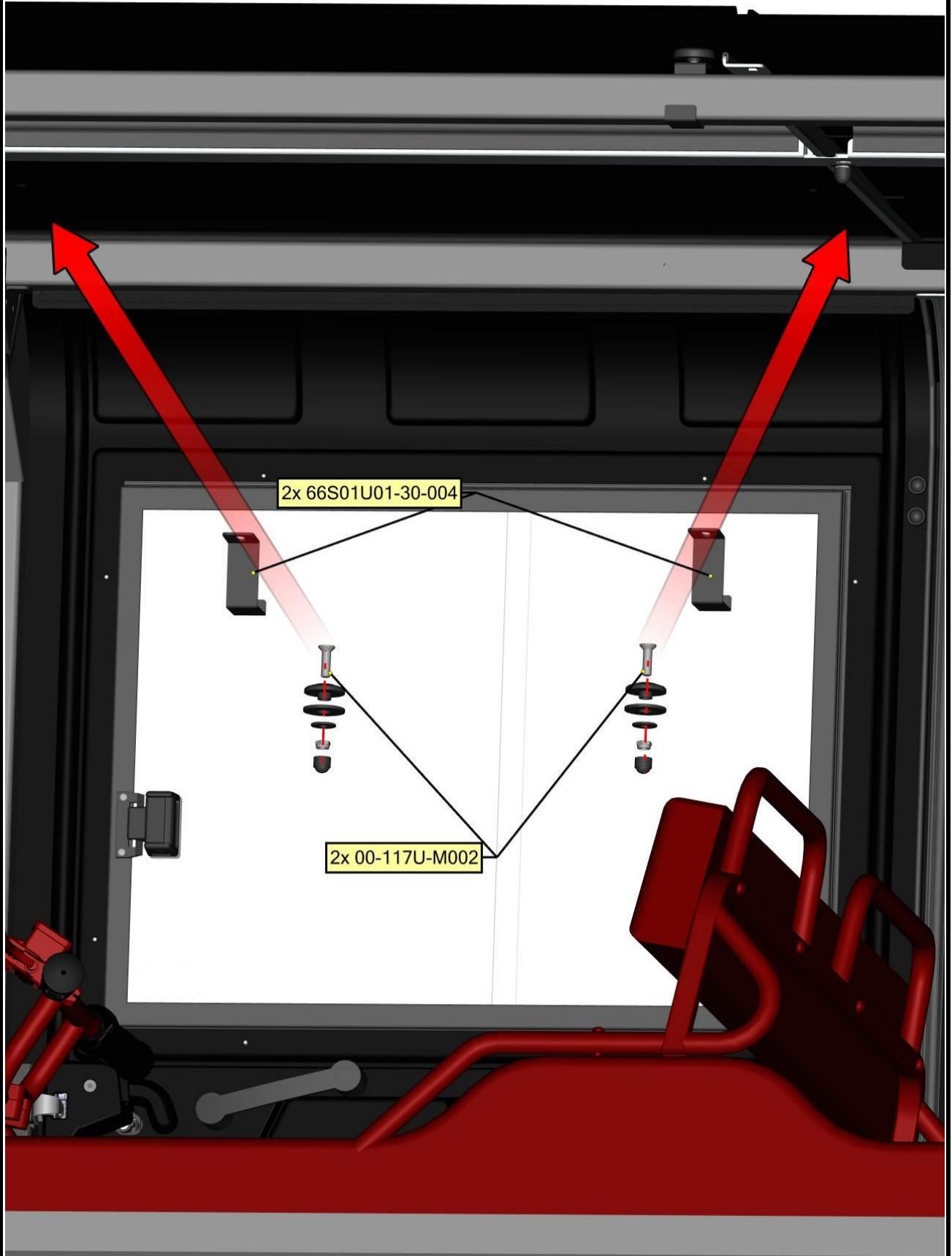
Place the front roof panel onto the roof ledges.



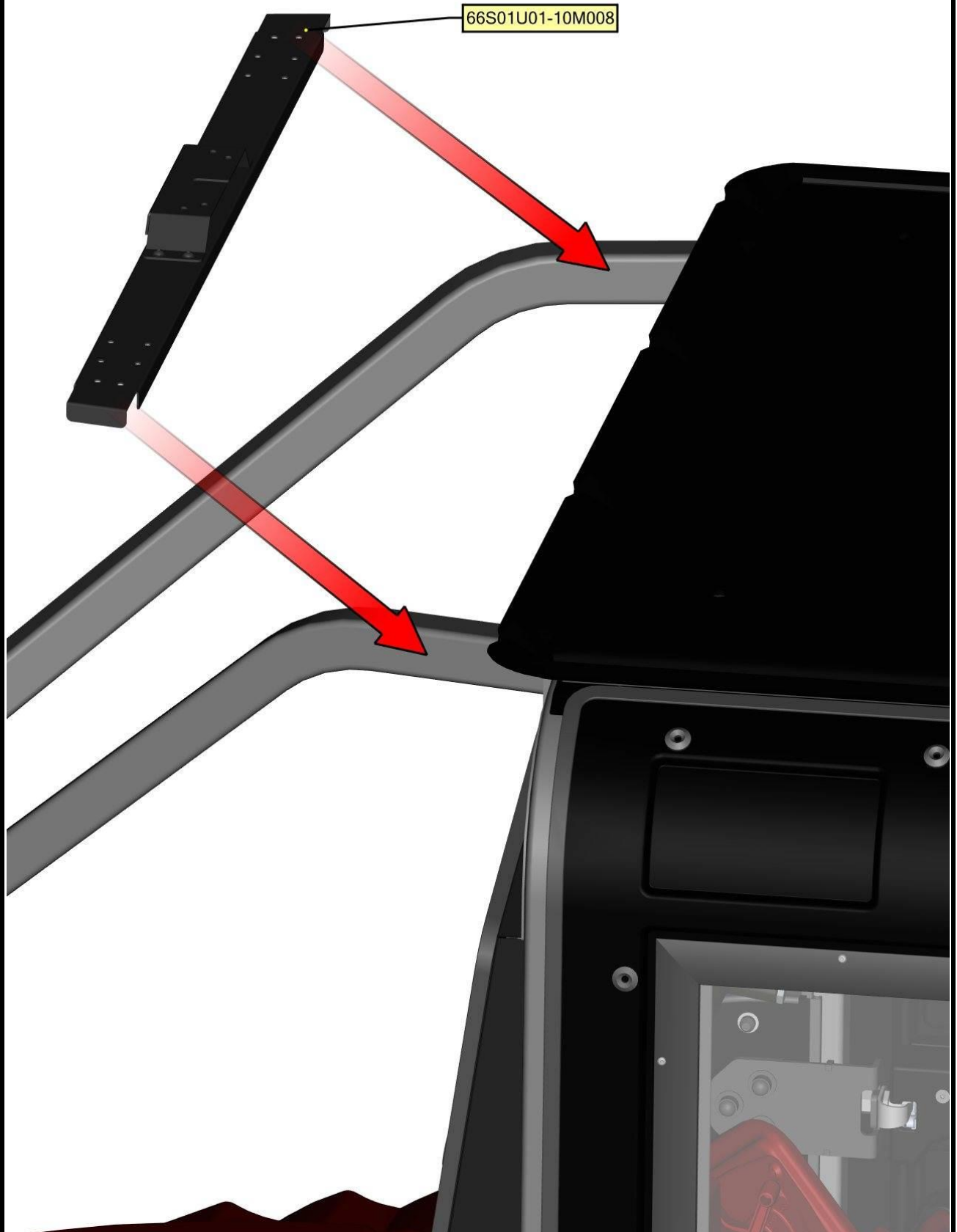
Fix the front roof panel with the rear roof panel by included fixing assemblies.



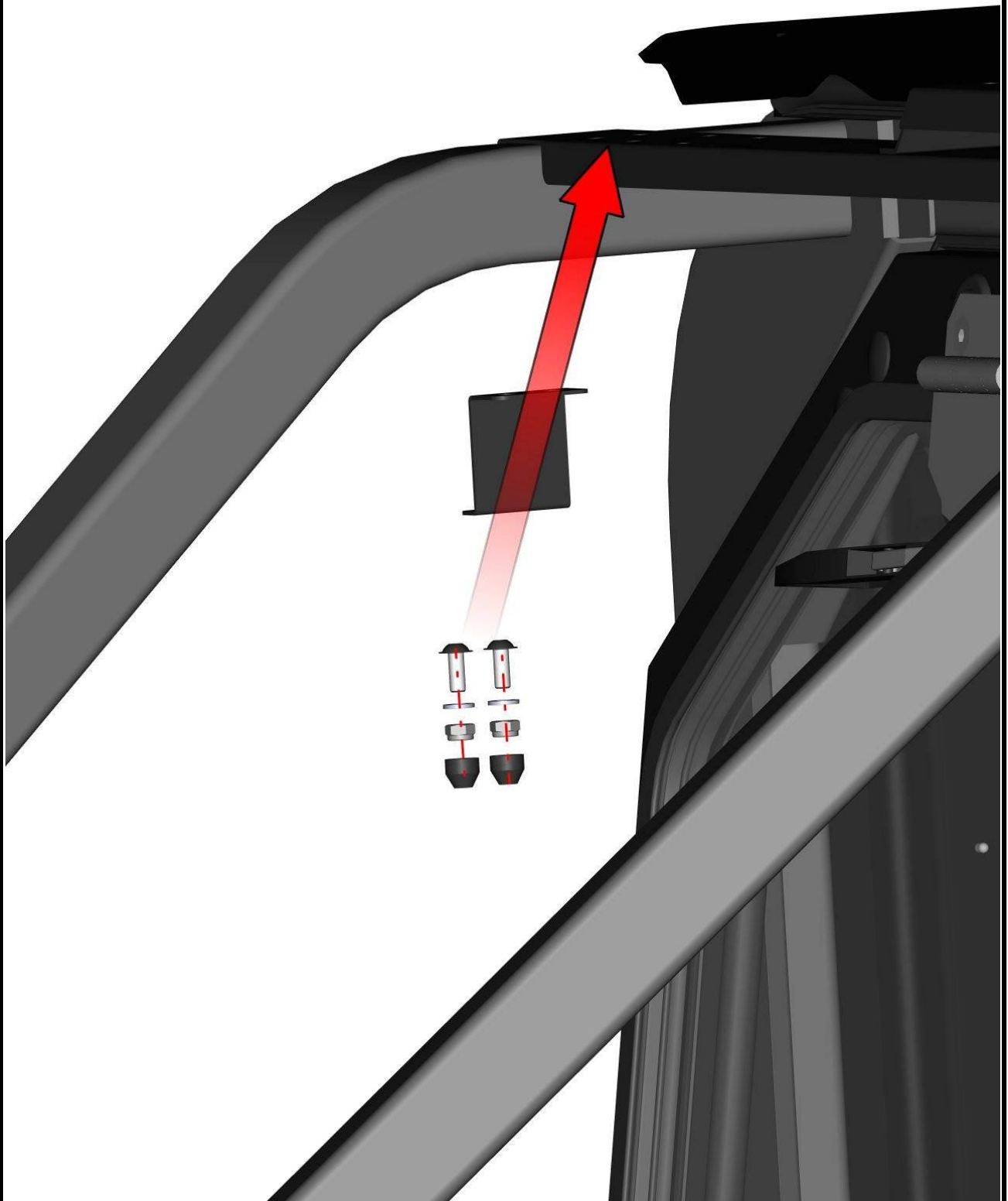
Place the roof holders onto the front roof panel and fix by included fixing assemblies on both sides.



Place the work lights ledge onto the vehicle frame.



Place the work light ledge holder onto the work light ledge and fix by included fixing assembly on both sides.



74

Install original lights onto the work lights ledge.



75