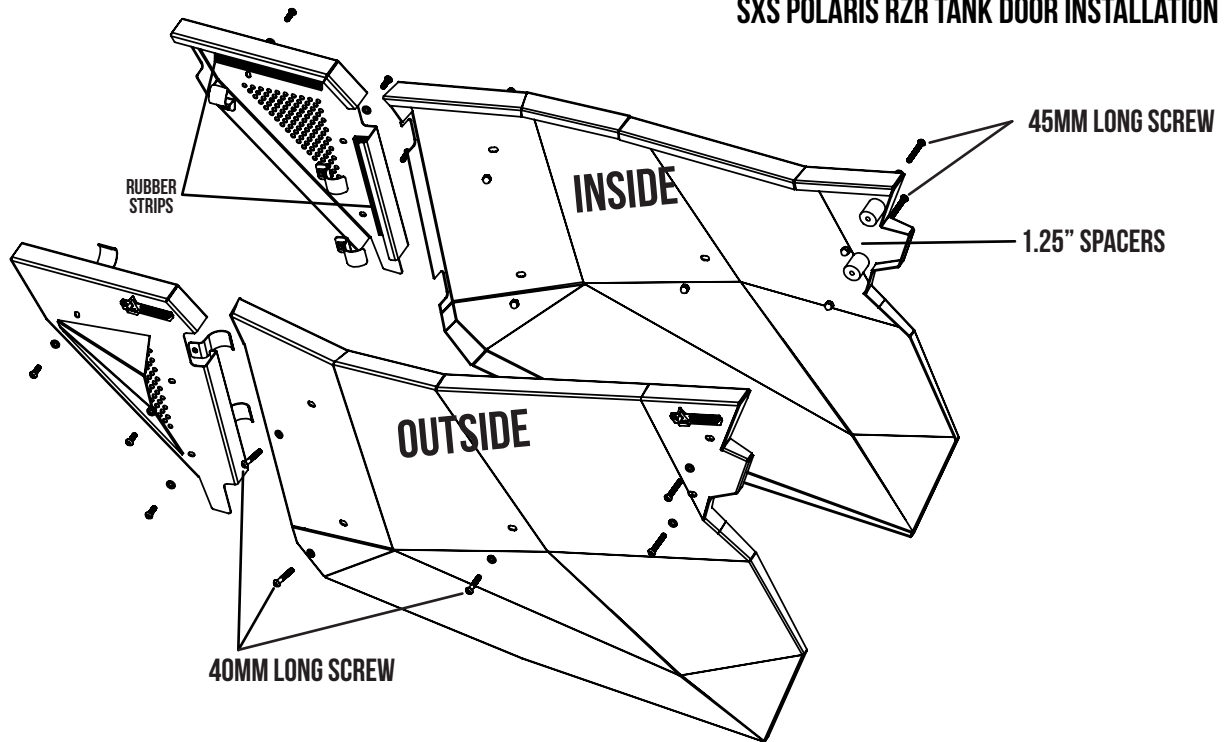




### SXS POLARIS RZR TANK DOOR INSTALLATION



#### FROM THE TOOLBOX

Hex Key Set  
Wrenches/Socket

#### NEED ADDITIONAL HELP?

Check out our YouTube channel  
Call us: (714) 799-6711  
Monday - Friday: 8am-5pm  
Email: [sales@assaultind.com](mailto:sales@assaultind.com)

#### LEAVE US FEEDBACK

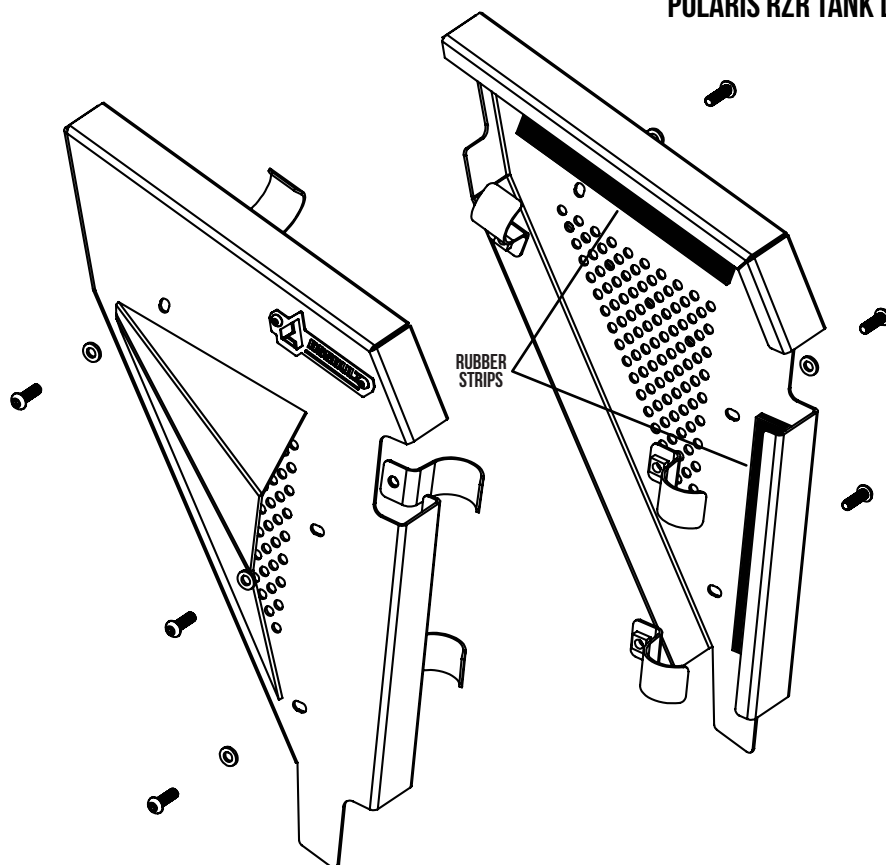
Visit [Assaultind.com](http://Assaultind.com) and leave a review of your product purchase. We appreciate your opinion... even if you're wrong! :)

#### IMPORTANT

*Read instructions thoroughly prior to installation. Installation should be performed by a qualified professional.*

#### INSTALLATION

1. Remove plastic OEM skins from the OEM door frame.
2. Place the door on the frame and use a couple of 40mm long M6 screws, with washer and nylock nuts to hold it onto the frame.
3. Add 1.25" spacers and 45mm long M6 screws to the area pictured above (this area is where the latch mechanism goes.) Spacers must be used. Do not tighten any nuts and bolts to completion for the next step.
4. Close the door and see where adjustments to alignment must be made.
5. Tighten hardware to hold the door in the desired position and test open and close functionality as well as gaps and spacing from the outside.
6. Readjust as needed.
7. When you're satisfied with door placement, tighten hardware until snug - do not over tighten as this could deform the mounting holes.
8. To install the rear quarter vents/scoops, see the next page.



### FROM THE TOOLBOX

Hex Key Set  
Socket Set

### NEED ADDITIONAL HELP?

Check out our YouTube channel  
Call us: (714) 799-6711  
Monday - Friday: 8am-5pm  
Email: sales@assaultind.com

### LEAVE US FEEDBACK

Visit Assaultind.com and leave a review of your product purchase. We appreciate your opinion... even if you're wrong! :)

### IMPORTANT

*Read instructions thoroughly prior to installation. Installation should be performed by a qualified professional.*

### INSTALLATION

1. Remove OEM plastic cover from the rear quarter frame.
2. Use the curved brackets to fix the vent/scoop to the OEM frame.
3. Use M6 hex head screws, washers and nylock nuts to fasten the vent to the frame - Do not tighten down until the scoop is on the frame and positioned where desired.
4. Apply rubber strips where shown in the image above to prevent vibration related noise.
4. Once position is satisfactory, tighten the top and bottom, then middle. Be sure to tighten only until snug. Do no over-tighten as this could distort brackets or the metal on the vent/scoop.