



2515 Bypass Rd. Flemingsburg, KY 41041  
606-845-7439

**Instructions for Installation and Care of Arctic Cat Trail / SportTop Cap**  
**AC-WILDCAT-TRAIL-SPORT-TC01**

**Notice: Do not smoke inside the cab or expose the enclosure to direct flames. Cab is Flammable.**

Be sure to read these instructions thoroughly before opening and installing the top cap. The installation is best done when the temperature is 70 degrees F. or warmer. The temperature affects the adhesive Velcro, if conditions prevent installing in warmer weather it helps to store the adhesive Velcro at room temperature prior to installation.

1. Carefully open the carton and remove the enclosure on a large flat surface that is clean and free of dirt.
2. Check over the parts included in the carton with the parts list shown below:

Adhesive Velcro Hook Strips:	2 each-----6”
24” Webbing Strap Loop	2 each
30” Webbing Straps with Velcro	2 each

**If any parts are damaged or missing please contact customer service at (606) 845-7439.**

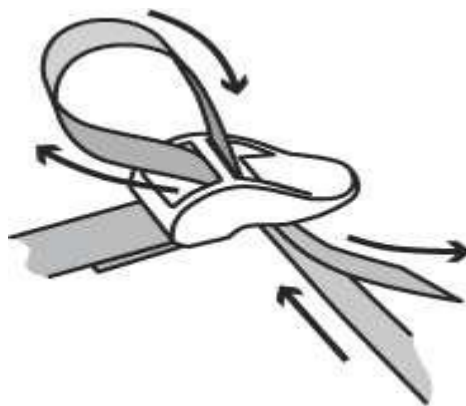
1. Place the Top Cap over the vehicle with the pointed end towards the front. Take the 6” adhesive strips and wrap the bar with them just above the bend. Then take the straps with Velcro sewn to one end and wrap the double-sided strip around the bar where the adhesive hook is. Make sure to wrap the bar tight and that the strap is pointing upwards towards the Top Cap. After installing trim excess strap and melt the end with a lighter See photo below:



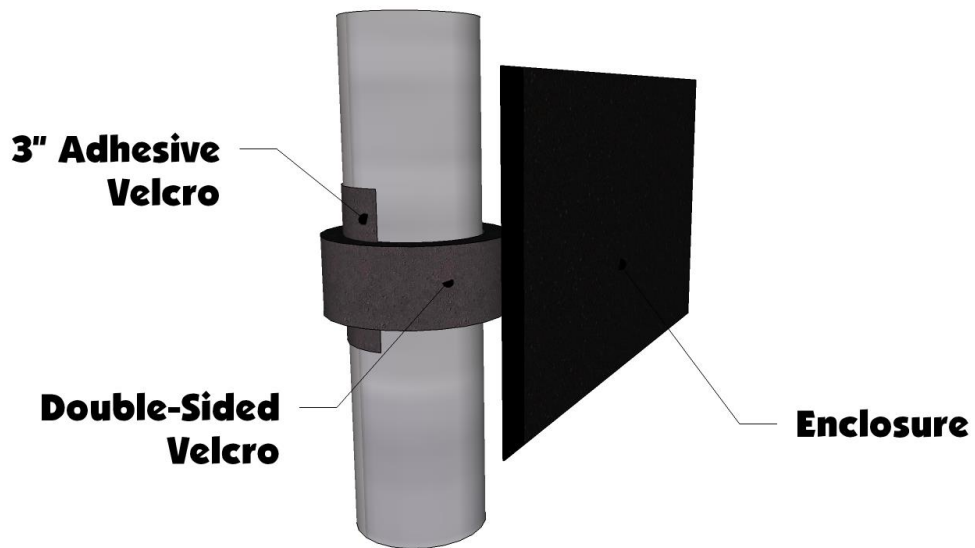
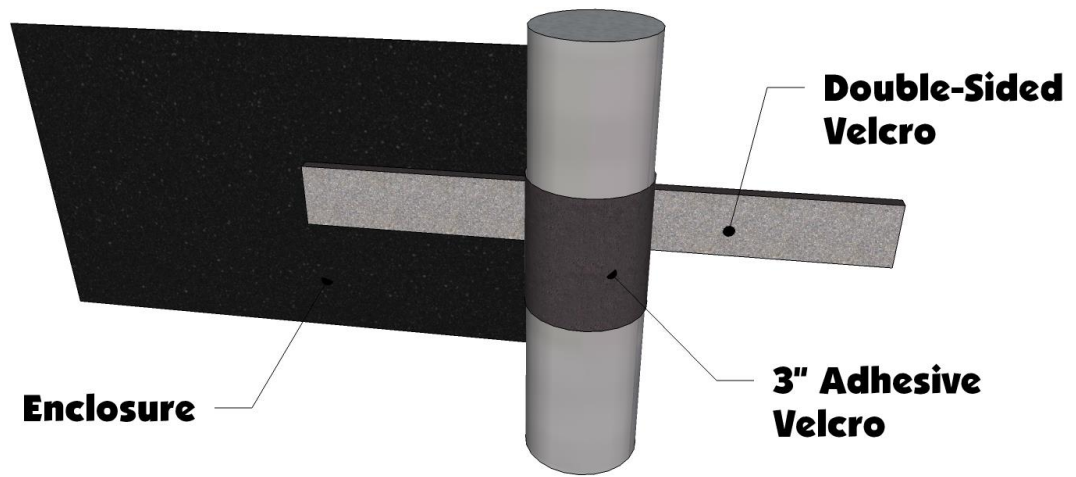
2. The rear of the Top Cap is held in place using the straps that have Loops sewn on one end. Just under the seat belt mounts wrap the strap around the bar and through the loop and pull it tight. Then take the other end of the strap and run it through the loop, pulling it tight. The photo below shows what it should look like.



3. Once all the straps are in place run them through the buckles. Pull them tight making sure the top is centered and the side seams line up correctly along the roll cage. The diagram below shows how to lace the webbing through the buckle.



4. The diagrams on the next page show how the double-sided straps and the 3” adhesive Velcro works.



**Thank you for your purchase!**

## Return Policy

If for any reason you choose to return this product it must be returned within **30 days from date item is received**. You **MUST** package the product exactly **as it was originally packaged from the factory to get a full refund for the product!**

The vinyl windows should never be folded when packaging in the box or for storage purposes. Lay all the windows on top of each other with the canvas folded in between and the paper (if available) on both sides of the windows.

**All returned products will be inspected upon arrival at the production facility and must be in unused, factory new condition to receive refund - a 25% restocking fee will apply.**

If ordered from Falcon Ridge please call at 606-845-7439 to gain a return authorization number, use our preferred shipping carrier (UPS) to return the item (unless the item is defective, you are responsible for paying the shipping to return the item.) **Any returns submitted to Falcon Ridge without a return authorization number will be charged a 20% restocking fee.** If ordered from one of Falcon Ridge's many distributors', you must first call them and see what their return policy is. Once your item reaches our production facility, our customer satisfaction team will inspect your item to ensure unused, factory new condition. **NOTE: All windshields must be returned with the original protective film intact and not removed. Do NOT REMOVE if you have any intentions of returning the item. Refund/ replacement of a windshield will only be processed on items with original protective film or if the windshield is defective.**

Items must be properly packaged in the original shipping carton to protect them during transit and ensure your returned item arrives back factory fresh, and in new resalable condition (**any returned items that have been used, altered or damaged in any way will not be subject for a refund.**) All contents including instruction manuals, accessories, hardware, Velcro, etc. must be included in your return shipment. Only items in OEM factory new condition will be approved. Once returned items are received, credit will be issued to the original credit card/ payment method used for the purchase. Outbound shipping and return shipping cost will not be refunded. Please allow 4 to 6 weeks for your refund to be processed.

## Warranty

To The Owner of this Product:

Thank you for purchasing one of Falcon Ridge Cab Enclosures, Tops &/or Windshields! Below are the terms under which your product is covered under our manufacturer's warranty.

30 Day Warranty which includes and is not limited to replacing the enclosure, tops and/or windshield due to defect of the product. Please refer to the return policy in this case for more information.

1 Year Warranty includes any defect in material or workmanship within this time frame we will gladly correct the problem or replace the enclosure, tops &/or windshield. Upon submitting for the correction or replacement we will need to receive pictures of the defect in material or workmanship along with the receipt from the date of purchase.