



## Polaris RZR 1000 Pro Series Roof Installation Instructions

Stock No.: 4453

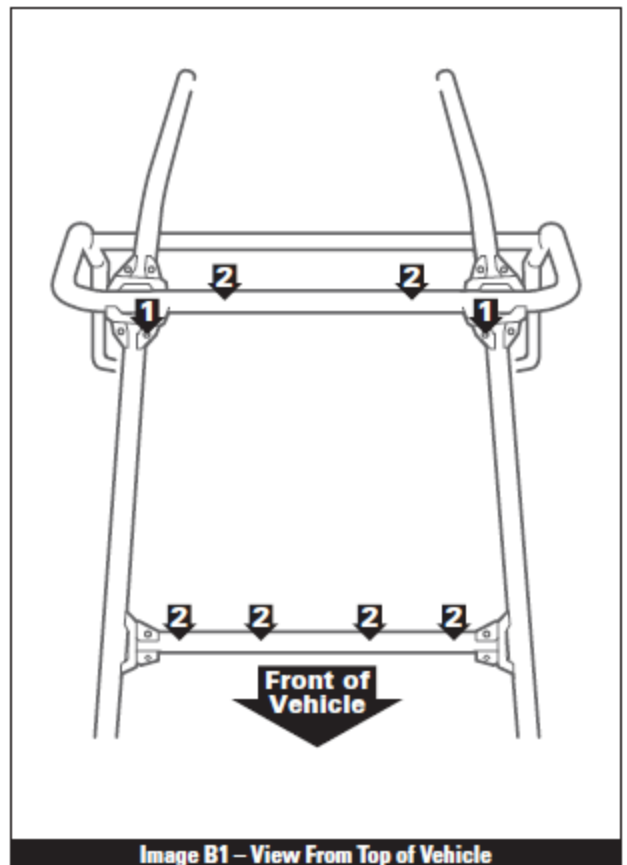
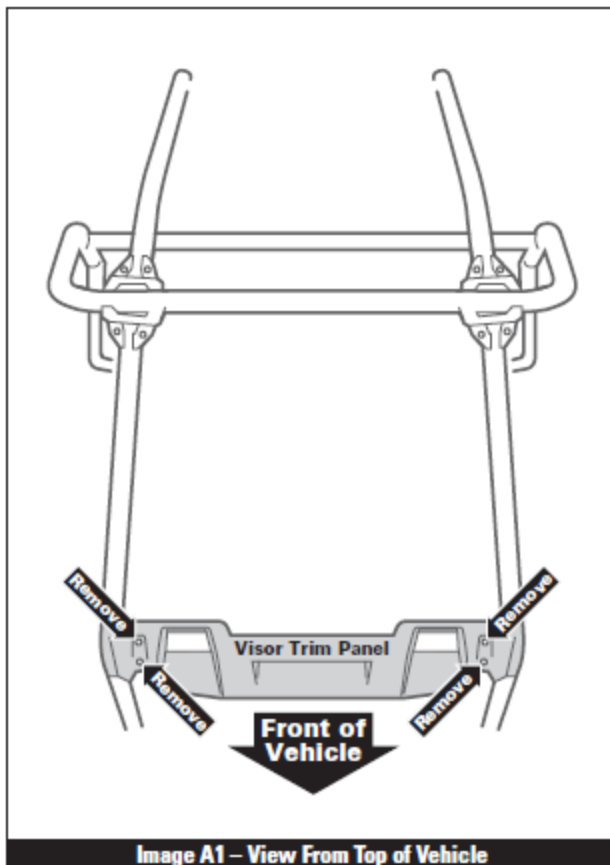
Please read and understand these instructions completely before installation to avoid injury to yourself or damage to the vehicle or accessory.

**Dealer:** These instructions contain important information for future reference and must be given to the customer at time of purchase or upon completion of installation.

### Parts List:

ITEM	PART NAME	PART NO.	DESCRIPTION	QTY.
1	Roof	10-4453	Polaris RZR 1000 Pro Series Roof	1
	Hardware Kit	60-4453	Polaris RZR 1000 Pro Series Roof Hardware Kit (includes all items below)	1
2	Clamp	52-0020	1.75" Diameter "P" Type Clamp	6
3	Screw	75-7519	M6 x 1.0 x 25mm Torx Head Screw	8
4	Washer	76-0035	0.25" I.D. x 0.625" O.D. Bonded Sealing Washer	8
5	Washer	76-6329	0.281" I.D. x 0.875" O.D. Fender Washer	8
6	Nut	77-7547	M6 x 1.0 Hex Flange Nylock Nut	6
7	Nut	77-0059	M6 x 1.0 "U" Type Nut	2

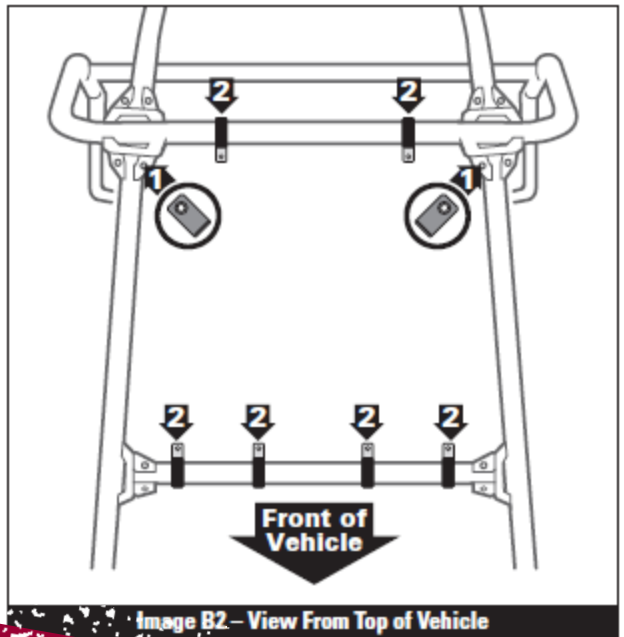
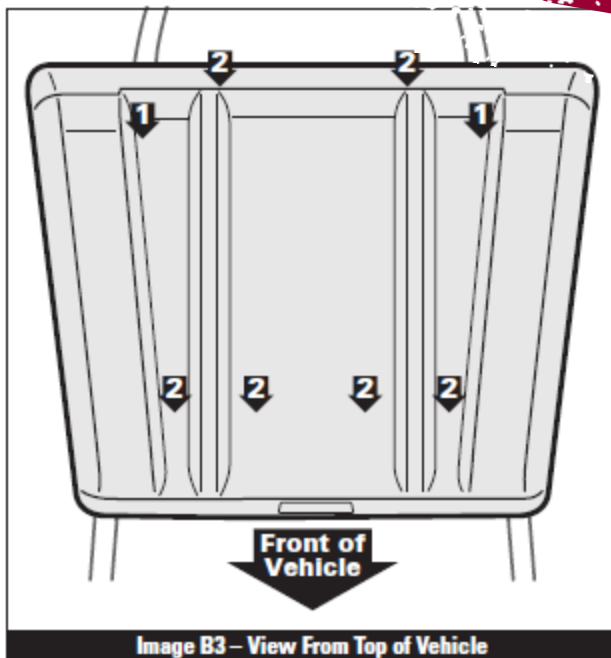
- 1) Viewing your vehicle from above, and illustrated in **Image A1**, remove the visor trim panel by loosening the four torx screws. Set aside the visor trim panel and associated hardware for possible future use.
- 2) As illustrated in **Image B1**, please note the suggested roof mounting points. They are represented with arrows on the cab frame. The arrows noted as "1" indicate mounting straight through the vehicle's cab frame. Arrows noted as "2" indicate using the "P" Type Clamp around the cab frame.



- 3) As illustrated in **Image B2**, slide the two (2) "U" Type Nuts onto the corner of the cab frame and aligning the holes. Wrap the six (6) "P" Type Clamps around the cab frame. **Please note the direction the tabs on the clamps face.**
- 4) Place the **Pro Series Roof** on the vehicle with the logo facing toward the front as indicated in **Image B3**.
- 5) Once the roof and clamps are into position, clearly mark the eight (8) recommended mounting points. There will be two (2) through the vehicles cab frame and six (6) through the holes on tabs of the clamps.
- 6) Remove the roof and with an M6 bit, **CAREFULLY** drill the roof in the eight (8) marked locations.
- 7) Place the roof back on the vehicle and align the clamps with the holes you just drilled.
- 8) As illustrated in **Image C1**, attach the roof to the clamps using the **M6 Screws, Sealing Washers, Fender Washers** and **M6 Nut**. **DO NOT** completely tighten at this point.
- 9) As illustrated in **Image C2**, attach the roof to the cab frame using the M6 Screws, Sealing Washers, Fender Washers and M6 "U" Type Nut. **DO NOT** completely tighten at this point.
- 10) Check the alignment and positioning of the roof. Once you are satisfied with its location, continue to **COMPLETELY TIGHTEN** all of the hardware.
- 11) **Maintenance and Care:** Tighten all hardware after first use and periodically thereafter.

**⚠ WARNING** Failure to follow these installation instructions completely may void any warrantable components and result in property damage or personal injury **NEVER** operate or transport UTV with unsecured cargo. For additional assistance, please contact our customer service department at:

Kolpin Outdoors, Inc.  
1.877.956.5746 | customerservice@kolpin.com



APPROVED  
 1/2/2015

