



# Arctic Cat Wildcat Roof

P/N 1497

## ASSEMBLY / OWNERS MANUAL

Before you begin, please read and understand these instructions. Also review the box contents to ensure all parts are accounted for.



Kolpin Outdoors, Inc. | 9955 59th Ave N | Plymouth, MN 55442

(877) 956-5746 or (763) 478-5800 | [www.kolpin.com](http://www.kolpin.com) | [customerservice@kolpin.com](mailto:customerservice@kolpin.com)

## BEFORE YOU BEGIN

Thank You and congratulations on your purchase! Kolpin Roofs are the most durable Roofs in the industry. With proper installation, care, and maintenance, your Kolpin roof will last for years to come! Before You Begin:

- Inspect the contents of the package to ensure all parts and tools are accounted for. If any hardware is missing, do not return to the store. Call Kolpin directly for assistance. Toll Free 1-877-956-5746.
- Please read and understand all assembly instructions, notices and warnings before assembling and operating your Kolpin Roof.
- For proper installation, two people are highly recommended.
- Keep these instructions for future reference. Dealers: Provide owner manual to customer at time of purchase.
- To facilitate installation, make sure your vehicle is clean and free of debris.
- All directions referring to right and left are when the rider is sitting on the machine.



**APPROXIMATE ASSEMBLY TIME: 30 minutes**

### TOOLS REQUIRED FOR INSTALLATION:

- 4 mm hex socket or hex key

## SAFETY INFORMATION

Our roofs were designed with your safety in mind. Please read and understand all Cautions, Notices and Warnings in this manual before you begin.

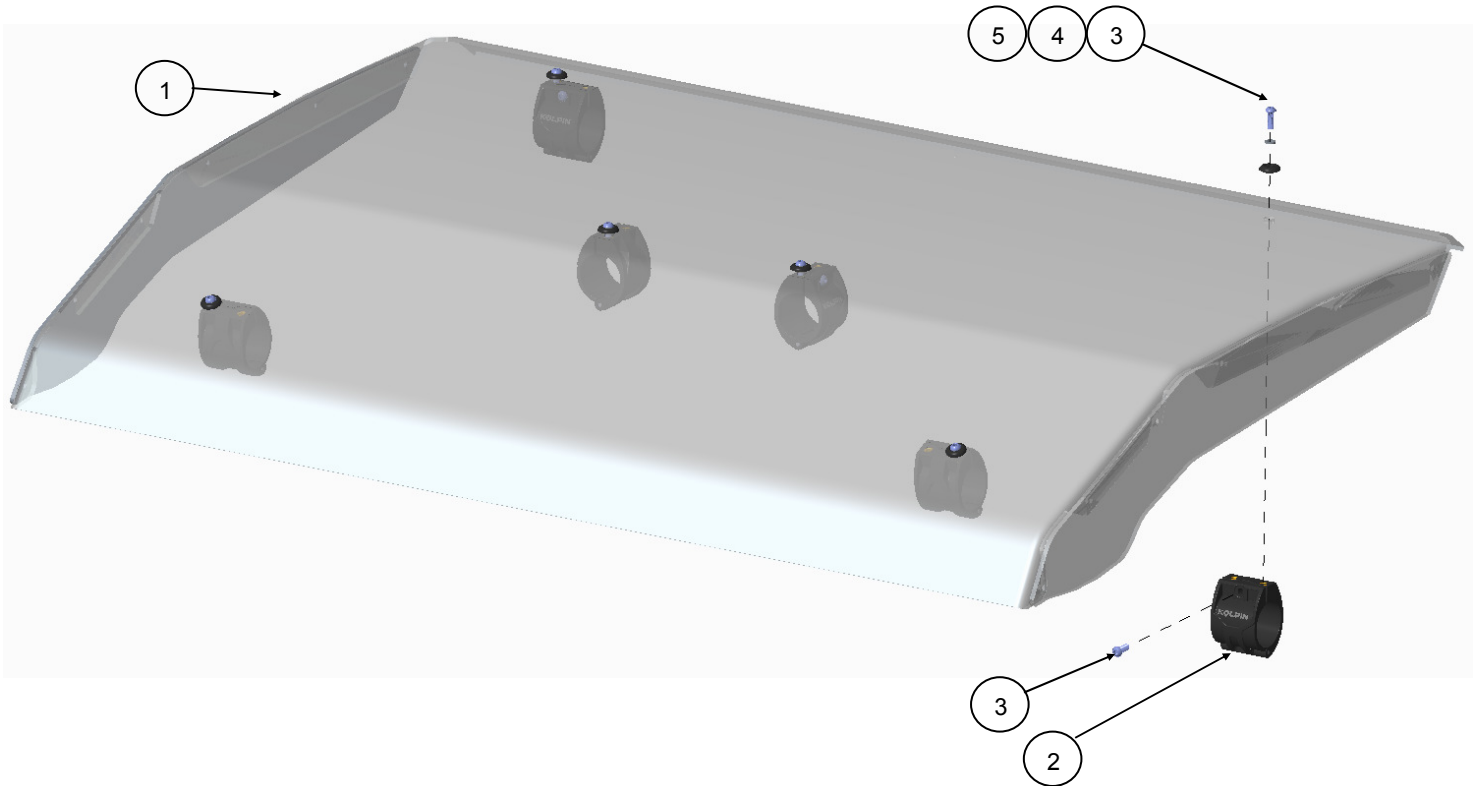
 <b>DANGER</b> 	
<b>TO AVOID SERIOUS INJURY OR DEATH:</b>	
1.	<b>ONLY INSTALL ROOFS THAT ARE DESIGNED FOR THE MAKE AND MODEL OF THE UTV. INSTALLATION OF A ROOF THAT WAS NOT DESIGNED FOR THE UTV MAKE AND MODEL CAN IMPACT DURABILITY AND PERFORMANCE.</b>
2.	<b>READ AND UNDERSTAND ROOF INSTRUCTION SHEETS AND UTV OWNER MANUAL BEFORE ROOF INSTALLATION OR OPERATING THE VEHICLE.</b>
3.	<b>PERIODICALLY CHECK FOR WEAR AND TIGHTNESS OF ALL FASTENERS. REPLACE OR RE-TORQUE FASTENERS AS NECESSARY.</b>

**If any hardware is missing, do not return to the store. Call Kolpin directly for assistance.**

**Toll Free 1-877-956-5746.**

**Kit Contents:**

Item	Part Description	Qty	Spare PNs K100137
1	Roof	1	
2	Clamp Assembly - 1.75"	6	2
3	Button Head - M6 x 18mm	12	6
4	Lock Washer - M6	12	6
5	Dome Shoulder Washer - M6	6	4

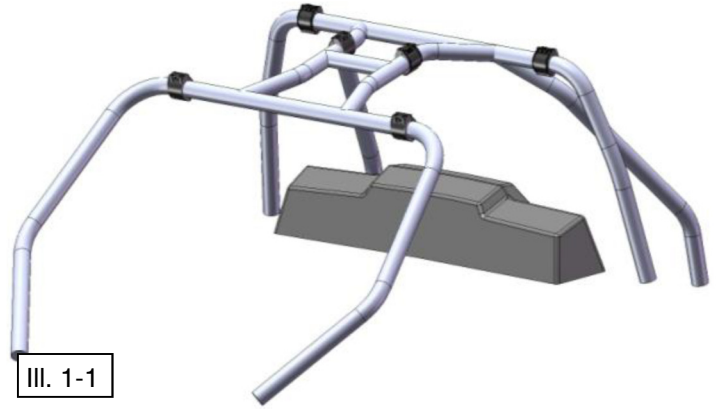



### Installation Prep:

1. To facilitate installation, make sure that your vehicle is clean and free of debris.
2. All directions referring to right and left are when the rider is sitting on the machine.

### Installation:

1. Attach Clamps (Item 2) using (1) M6 x 18mm Button Head (Item 3), (1) M6 Lock Washer (Item 4) to the ROPS. (See Illustration 1-1. Do not tighten at this time, you will need to make adjustments later).
2. Install the Roof (Item 1) to the Clamps (Item 2) using (6) M6 x 18mm Button Head Screws (Item 3), (6) M6 Lock Washers (Item 4), and (6) Domed Shoulder Washers (Item 5). Adjust the position of all components and tighten all hardware to specified torque. See Illustration 1-2 & 1-3.



 = T
<b>6MM FASTENER TORQUE:</b> 7 ft. lbs. (9 Nm)



## One Year Limited Warranty

For the period of one (1) year from the purchase date, Kolpin will replace for the original purchaser, free of charge, any part or parts found upon examination by Kolpin to be defective in material, workmanship, or both.

All transportation costs incurred submitting product to Kolpin for warranty consideration must be borne by the purchaser. If Kolpin determines that the product must be returned to the factory for credit, please call 1-877-956-5746 for a Return Merchandise Authorization (RMA) number and shipping instructions.

This warranty does not apply to parts that have been damaged by accident, alteration, abuse, improper maintenance, normal wear, or other causes beyond the manufacturer's control. In order to protect you and your ATV, certain parts of the accessory system and/or hardware are designed to fail when the equipment is over-stressed. Parts that are lost due to loosening and improper maintenance are not covered under warranty. This warranty does not cover removal or reinstallation labor fees of the plow system and related components.

Peripheral products such as engines, electric motors, and actuators may carry an original manufacturer's warranty. Most hardware is general in nature and is easily obtained locally. Be sure to replace with minimum metric class 8.8 specification.