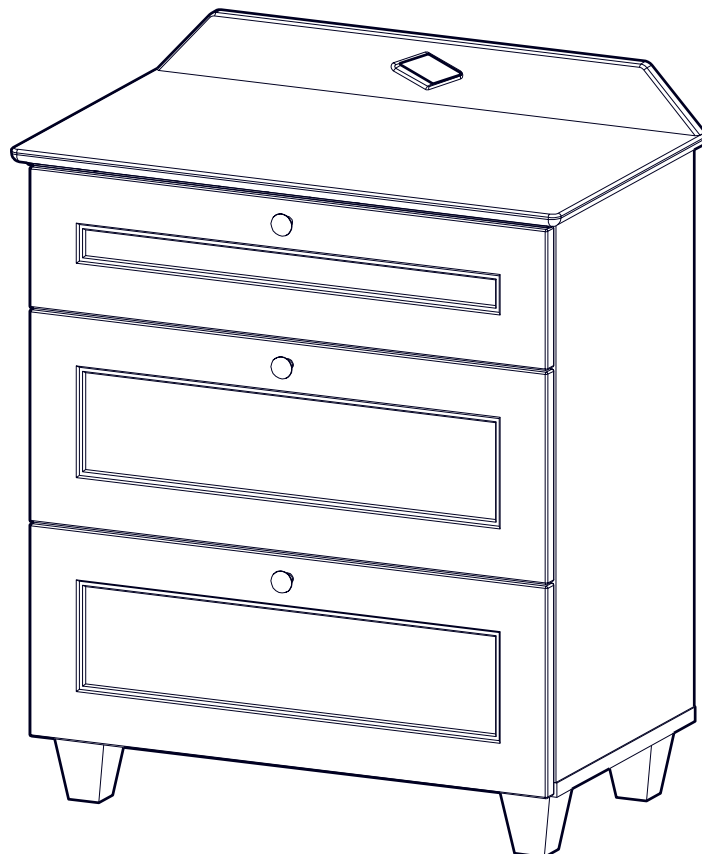


ASSEMBLY GUIDE

CARLA DRESSER

40 – LIGHT GREY



IMPORTANT, RETAIN FOR FUTURE REFERENCE: READ CAREFULLY
MUST BE ASSEMBLED BY AN ADULT!





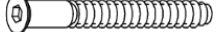



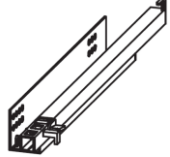
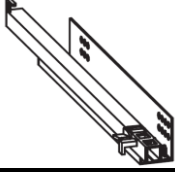
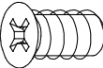




ASSEMBLY GUIDE

MONTAGE

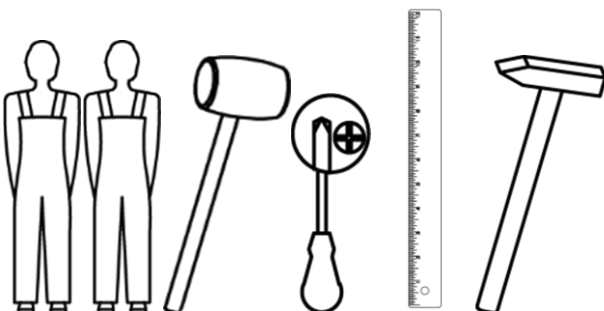
SAMLEVEJLEDNING

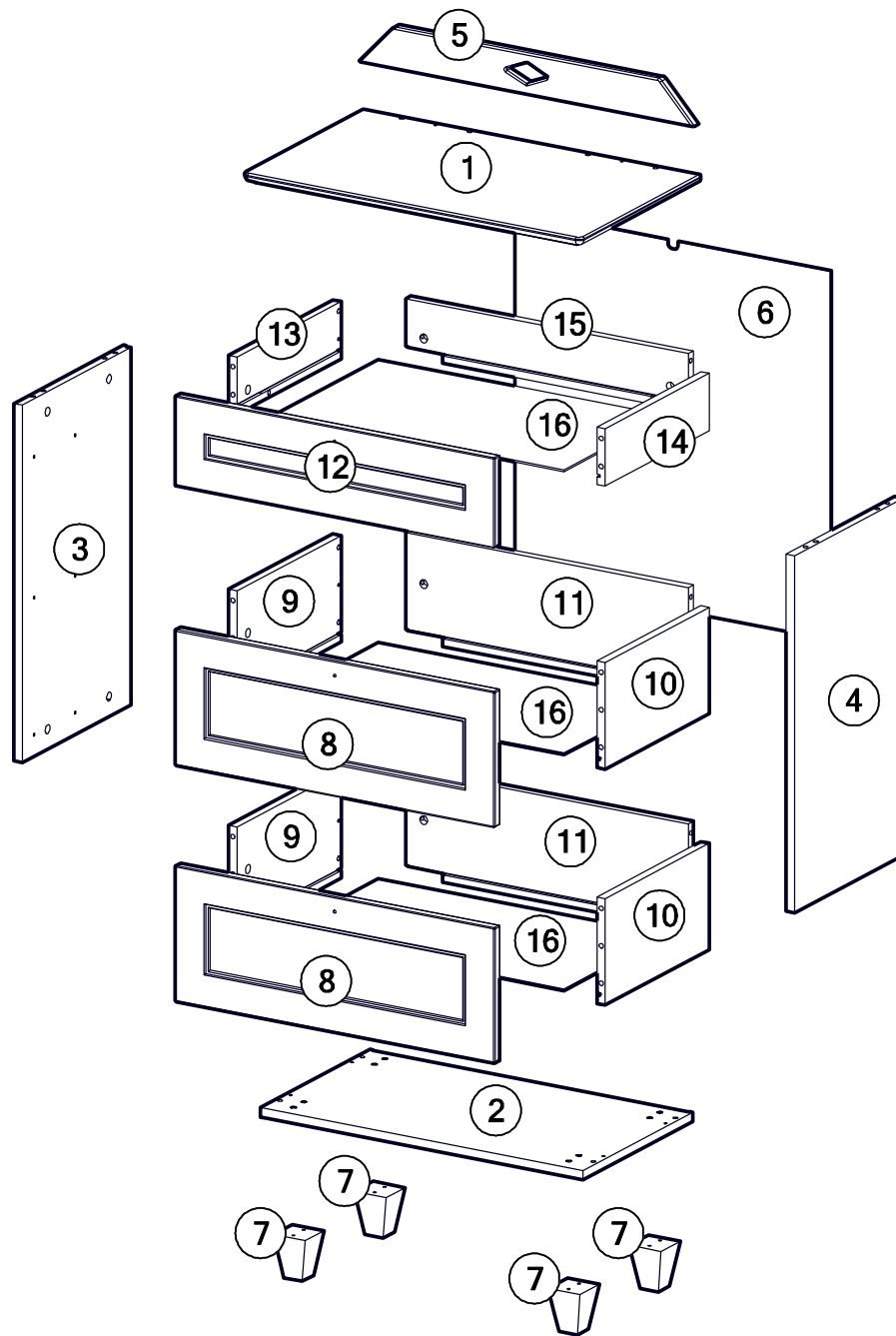
MONTERING

PARTS LIST

A		x32	B		x22	C		x22
	8x30			5/8x34			15x13	
D		x12	E		x8	F		x4
	D=16						D=18	
G		x12	H		x1	I		x3
	1.2x20						335mm	
J		x3	K		x12	L		x3
	335mm			7/5x10.5			4x25	
M		x1	N		x3	O		x6
							D=16	


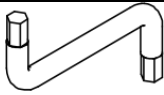

TOOLS NEEDED FOR ASSEMBLY

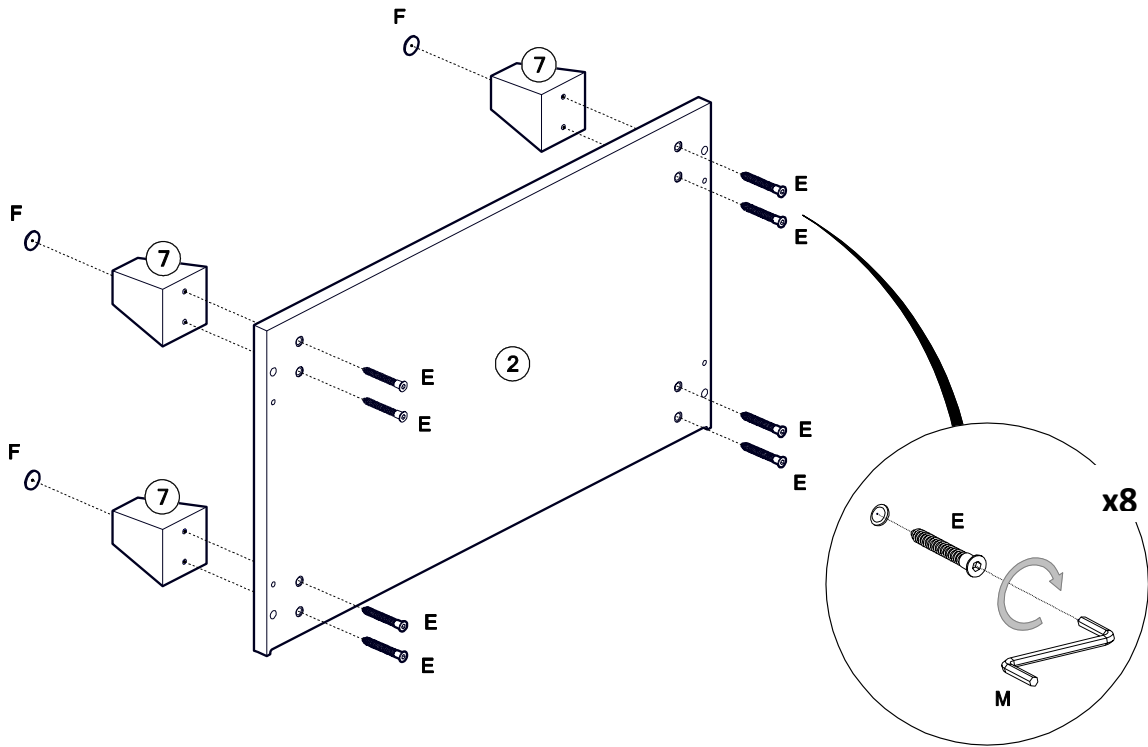





Item number	Dimensions	Number of pcs
1.	640 x 375 x 19	1
2.	610 x 343 x 16	1
3.	610 x 343 x 16	1
4.	610 x 343 x 16	1
5.	634 x 70 x 16	1
6.	596 x 629 x 3	1
7.	75 x 60 x 60	4
8.	604 x 232 x 18	2
9.	325 x 182 x 16	1
10.	325 x 182 x 16	2
11.	534 x 182 x 16	2
12.	604 x 154 x 18	1
13.	325 x 98 x 16	1
14.	325 x 98 x 16	1
15.	534 x 98 x 16	1
16.	544 x 319 x 3	3

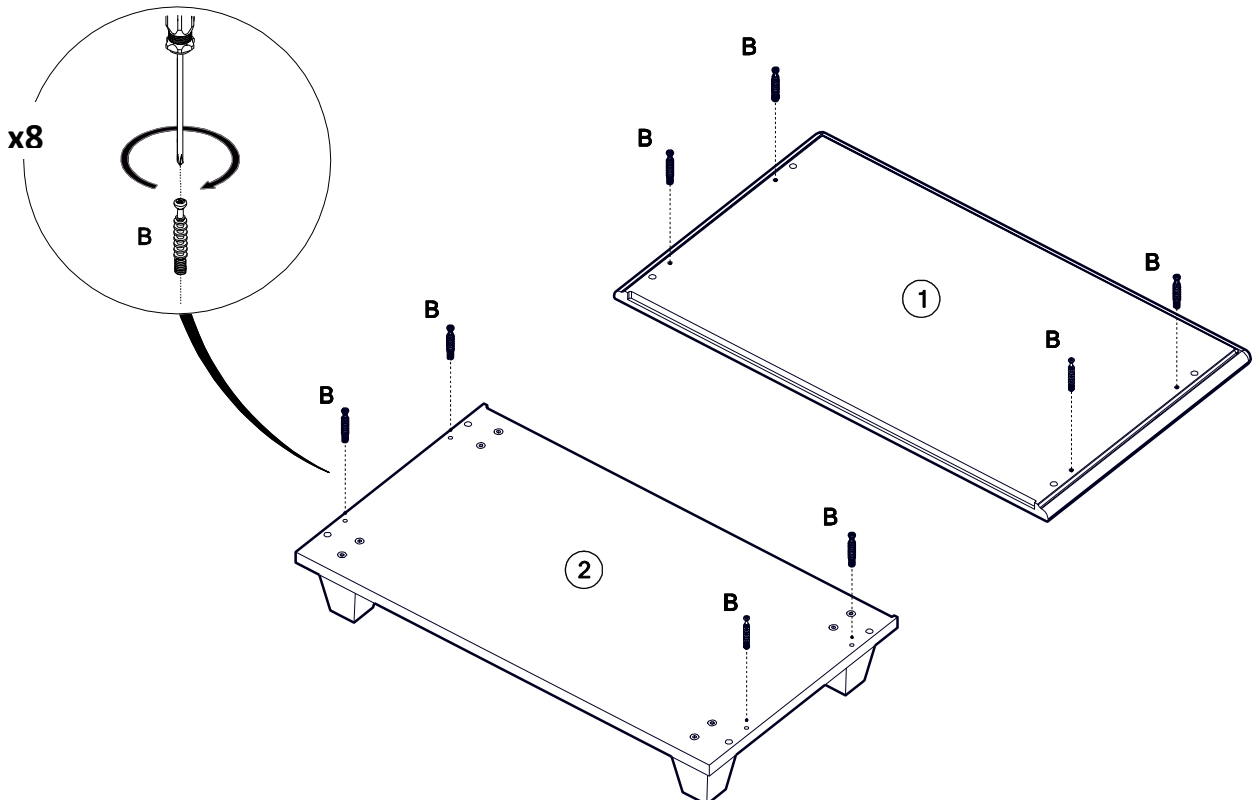
1.

E		x8	M		x1	F		x4
							D=18	

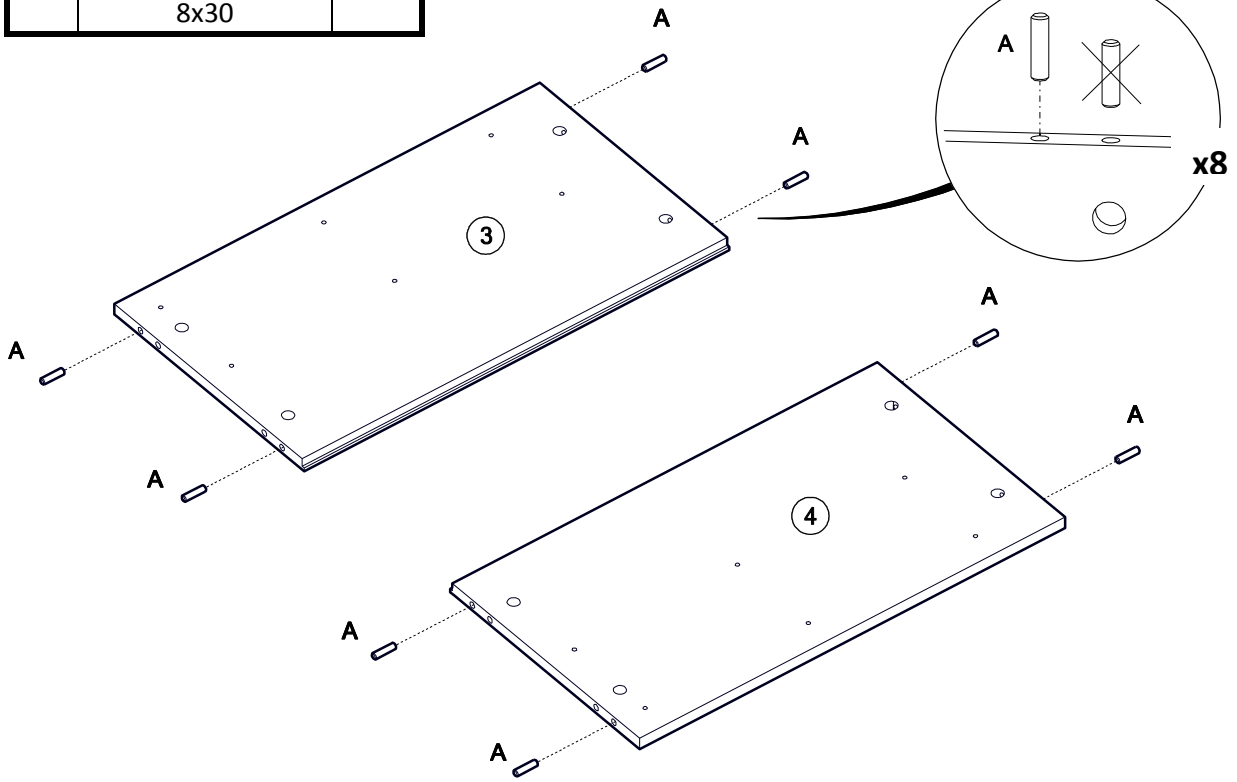
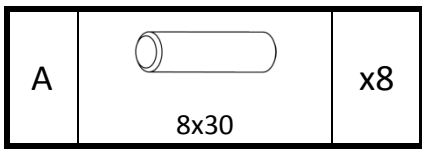


2.

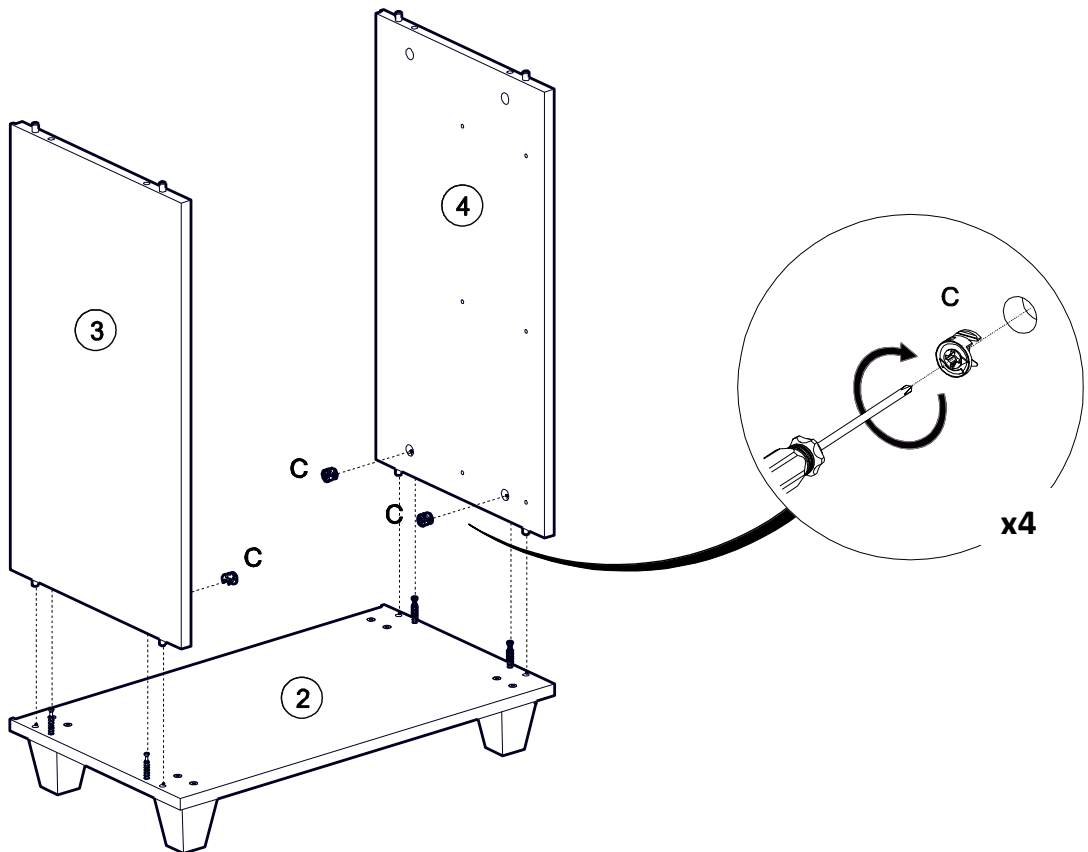
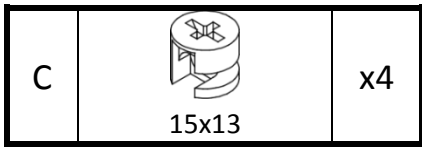
B		x8
	5/8x34	



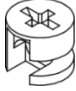

3.

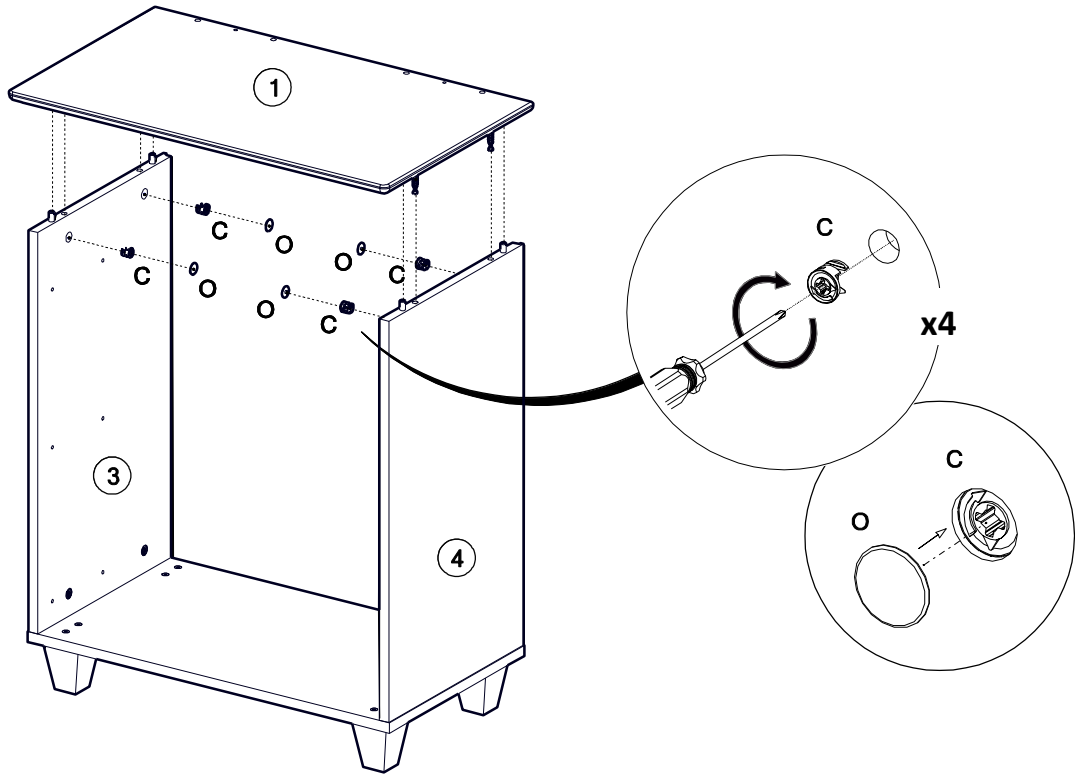


4.







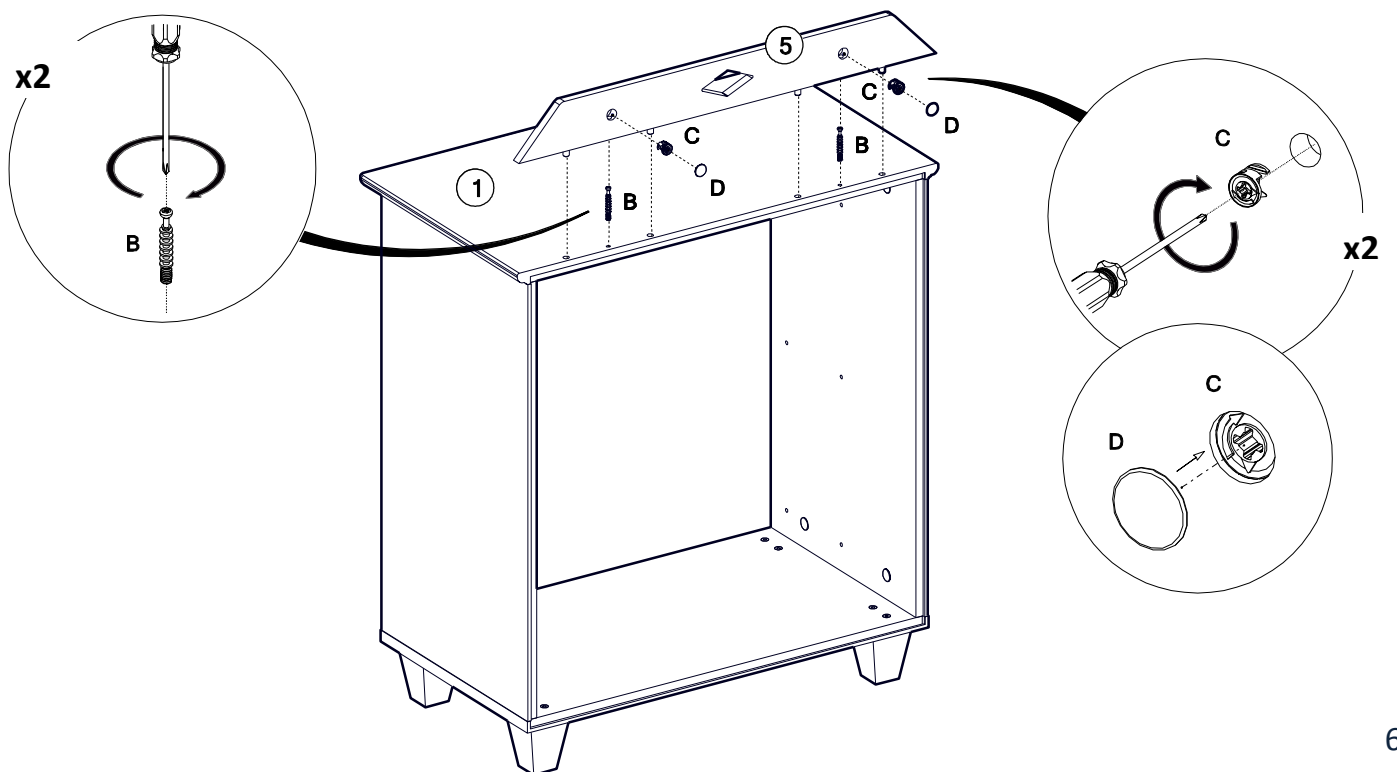
5.

C		x4	O		x4
	15x13			D=16	

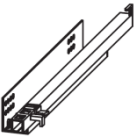
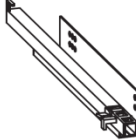
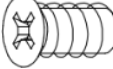


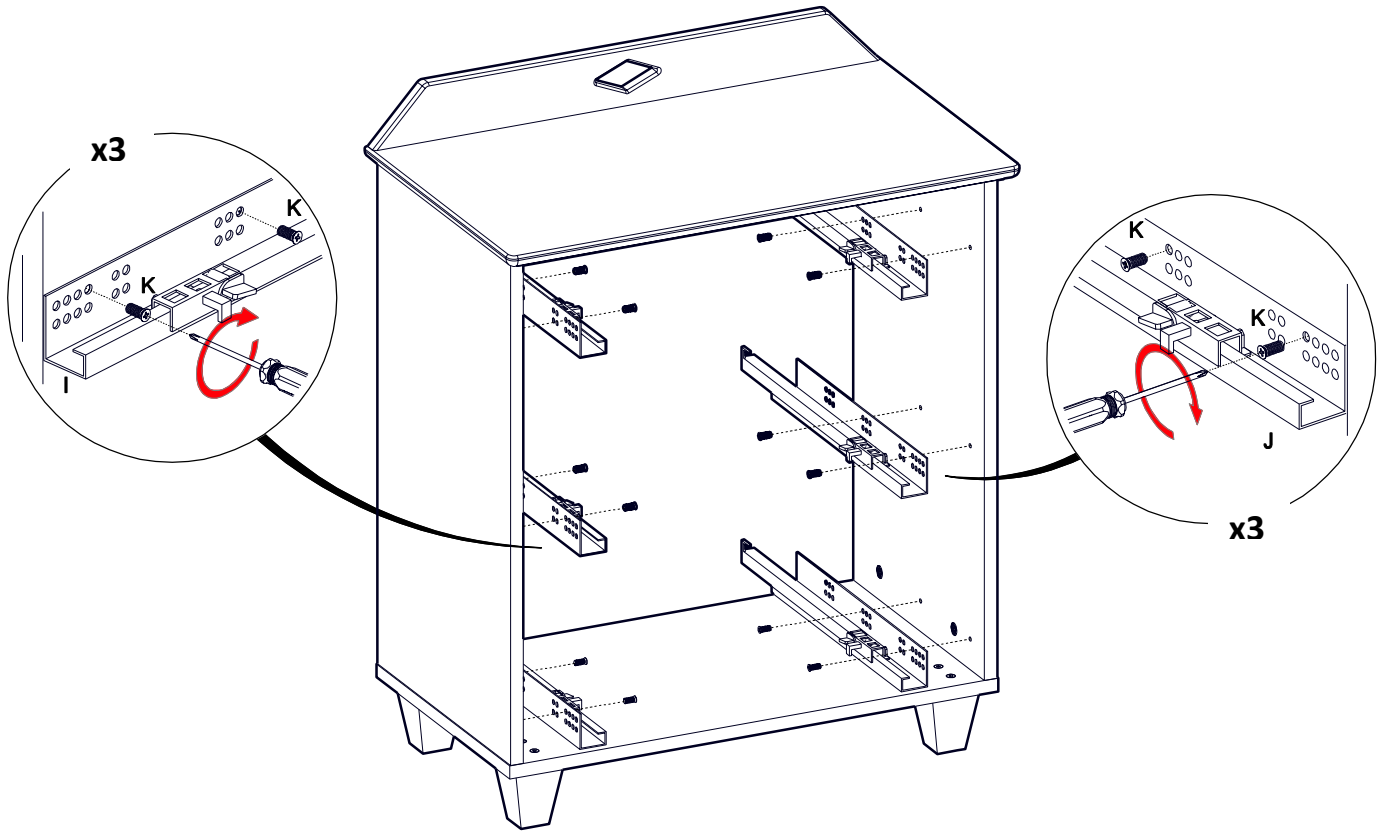
6.

A		x4	B		x2	C		x2	D		x2
	8x30			5/8x34			15x13				

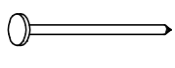


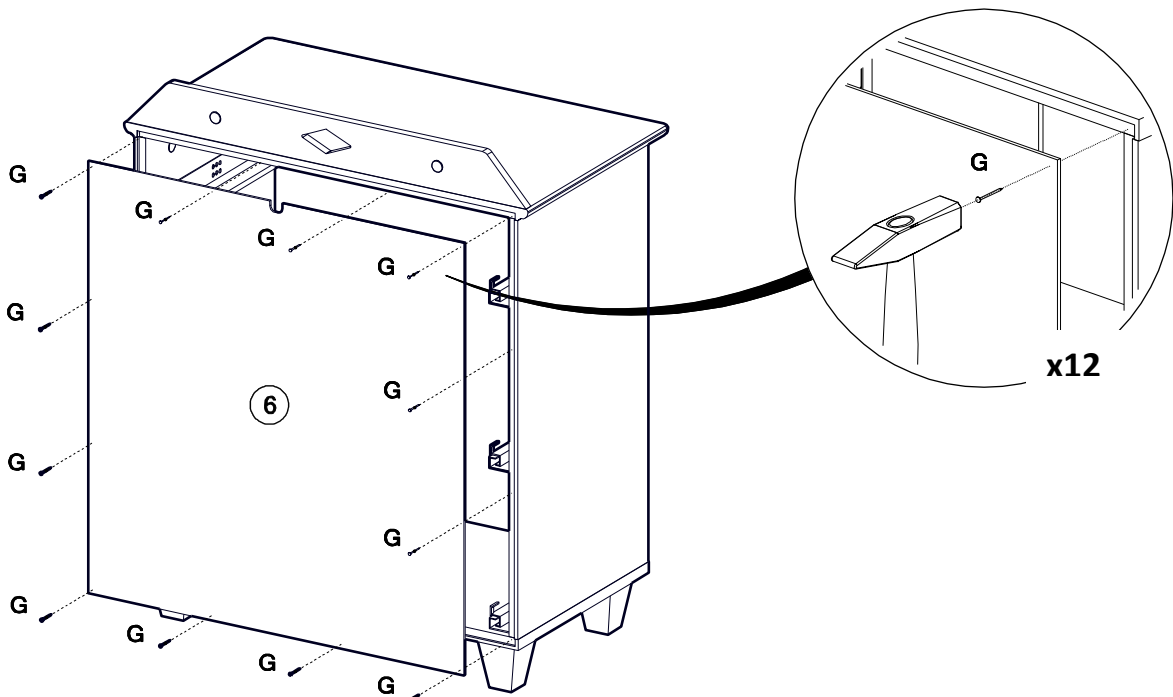
7.

I		x3	J		x3	K		x12
	355mm			355mm			7/5x10.5	

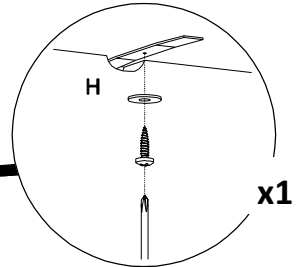
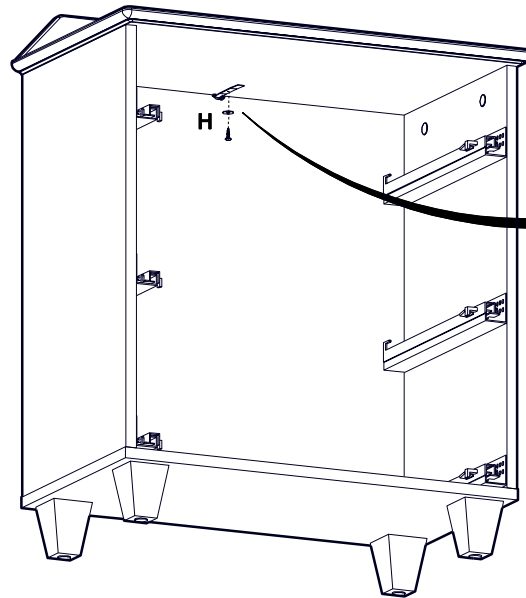
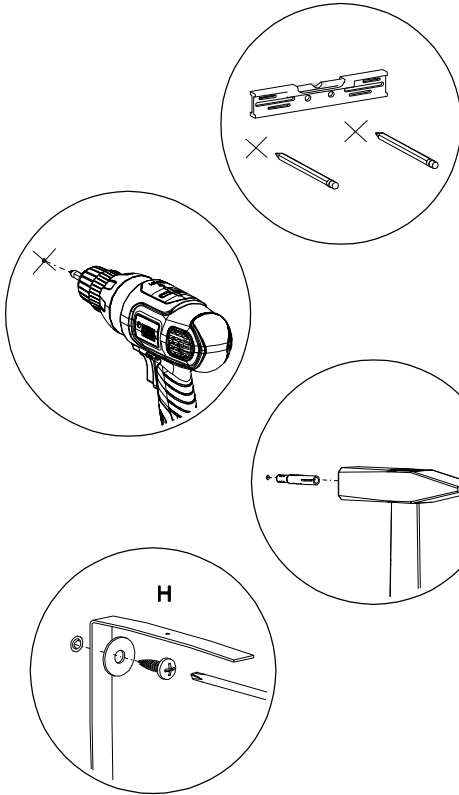
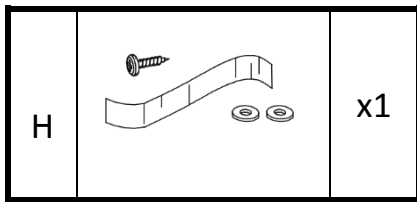


8.

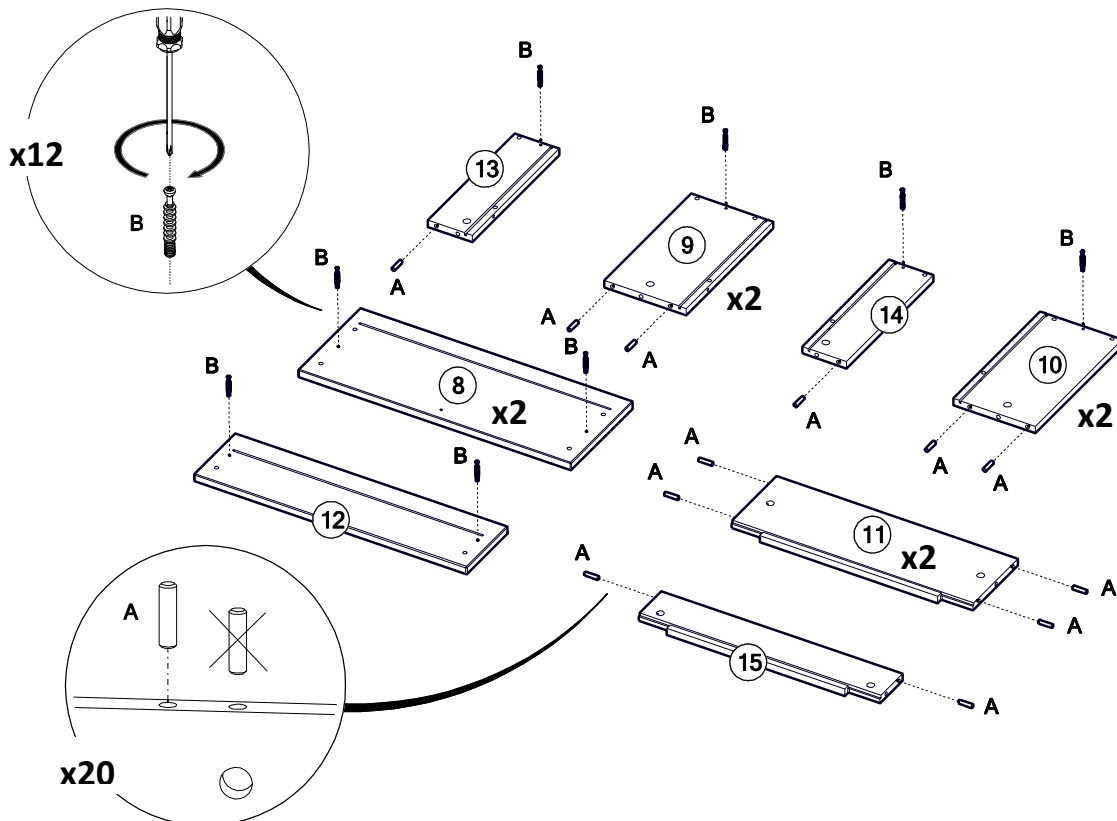
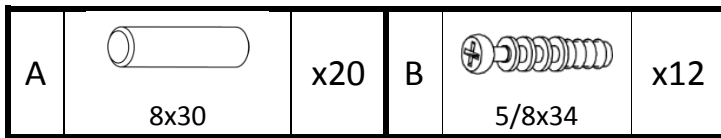
G		x12
	1.2x20	



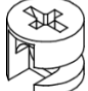

9.

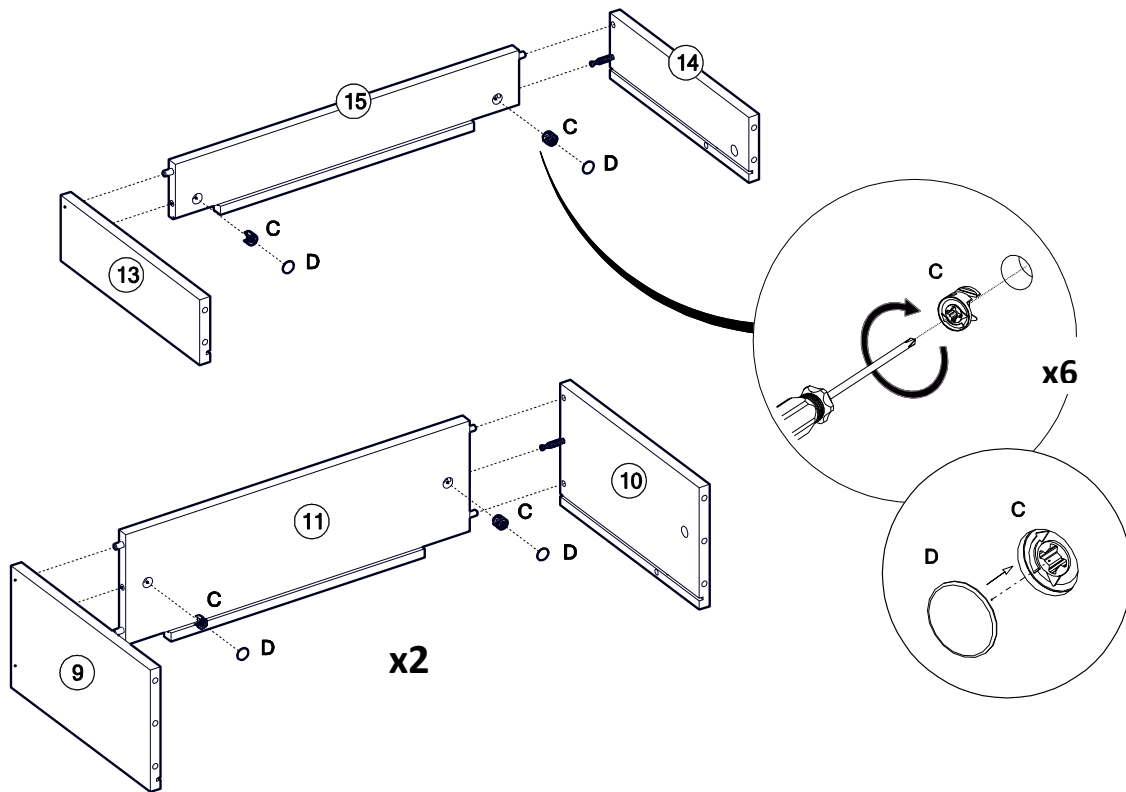


10.

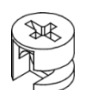

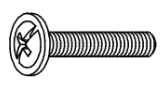



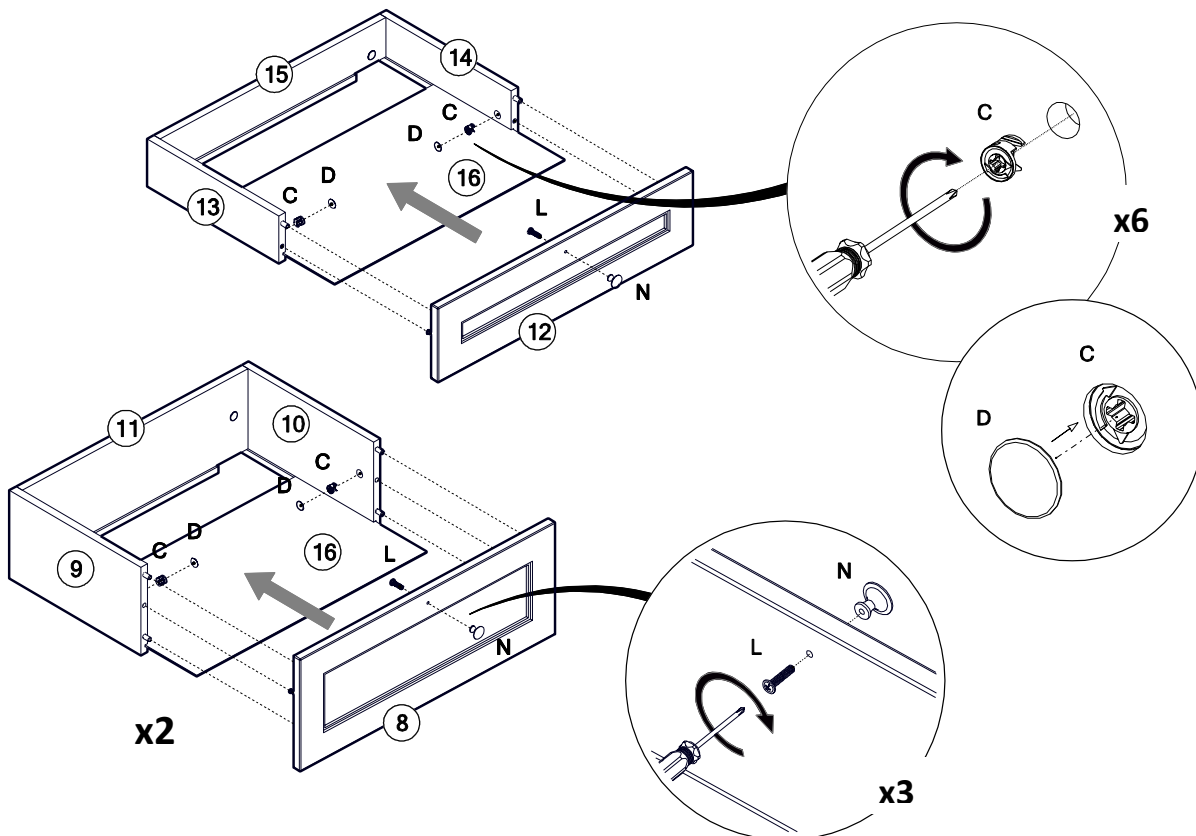
11.

C		x6	D		x6
	15x13				



12.

C		x6	D		x6	L		x3	N		x3
	15x13						4x25				



13.

