

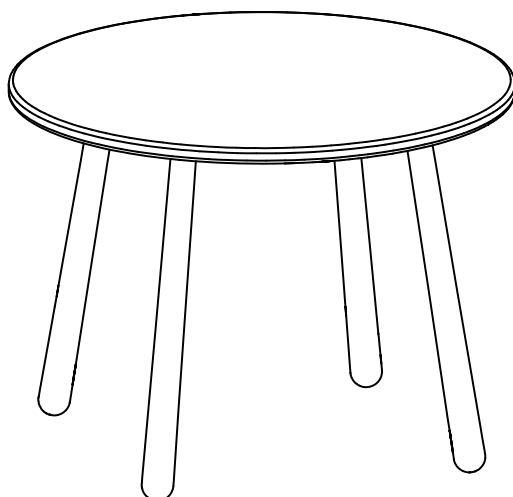
ASSEMBLY GUIDE

2007 - HEART KIDS TABLE

38 BLOSSOM PINK

40 LIGHT GREY

52 CANAL GREEN



IMPORTANT, RETAIN FOR FUTURE REFERENCE: READ CAREFULLY

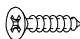
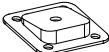

ASSEMBLY GUIDE

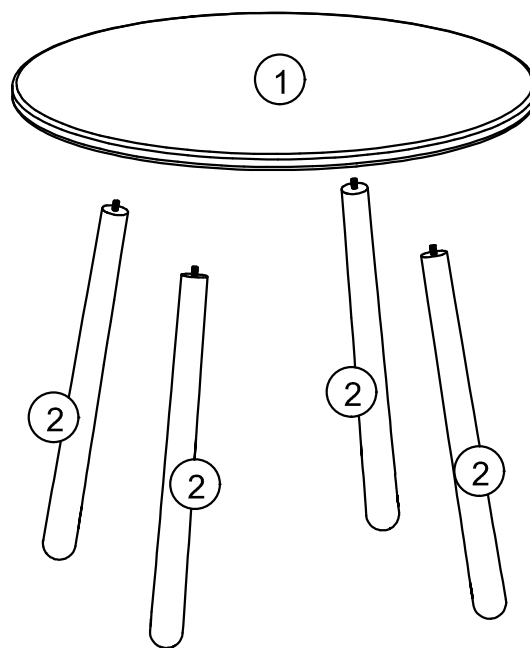
MONTAGE

SAMLEVEJLEDNING

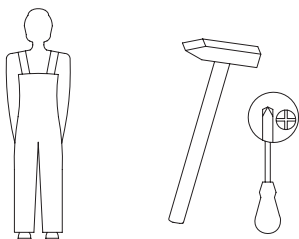
MONTERING

PARTS LIST

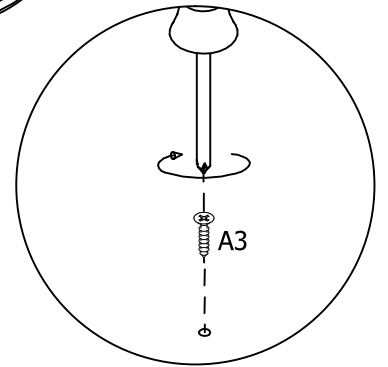
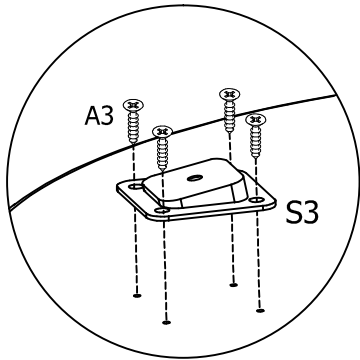
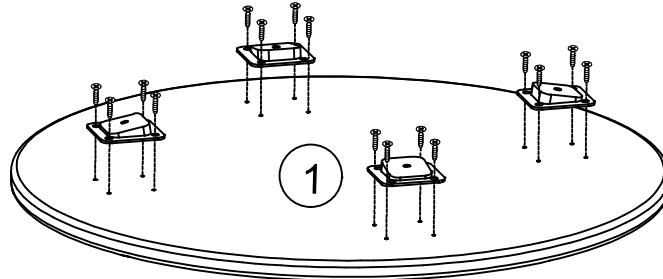
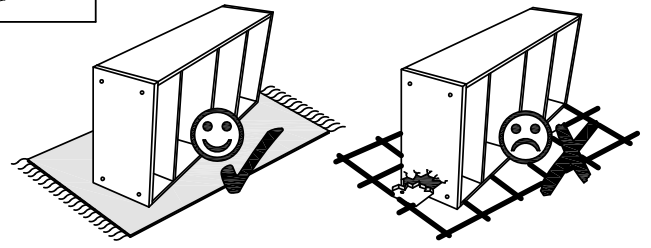
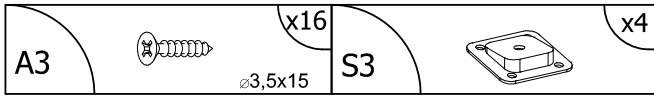
A3	 x16 ø3,5x15	S3	 x4	K11	 x4
----	--	----	--	-----	--



TOOLS NEEDED FOR ASSEMBLY



1.



2.

