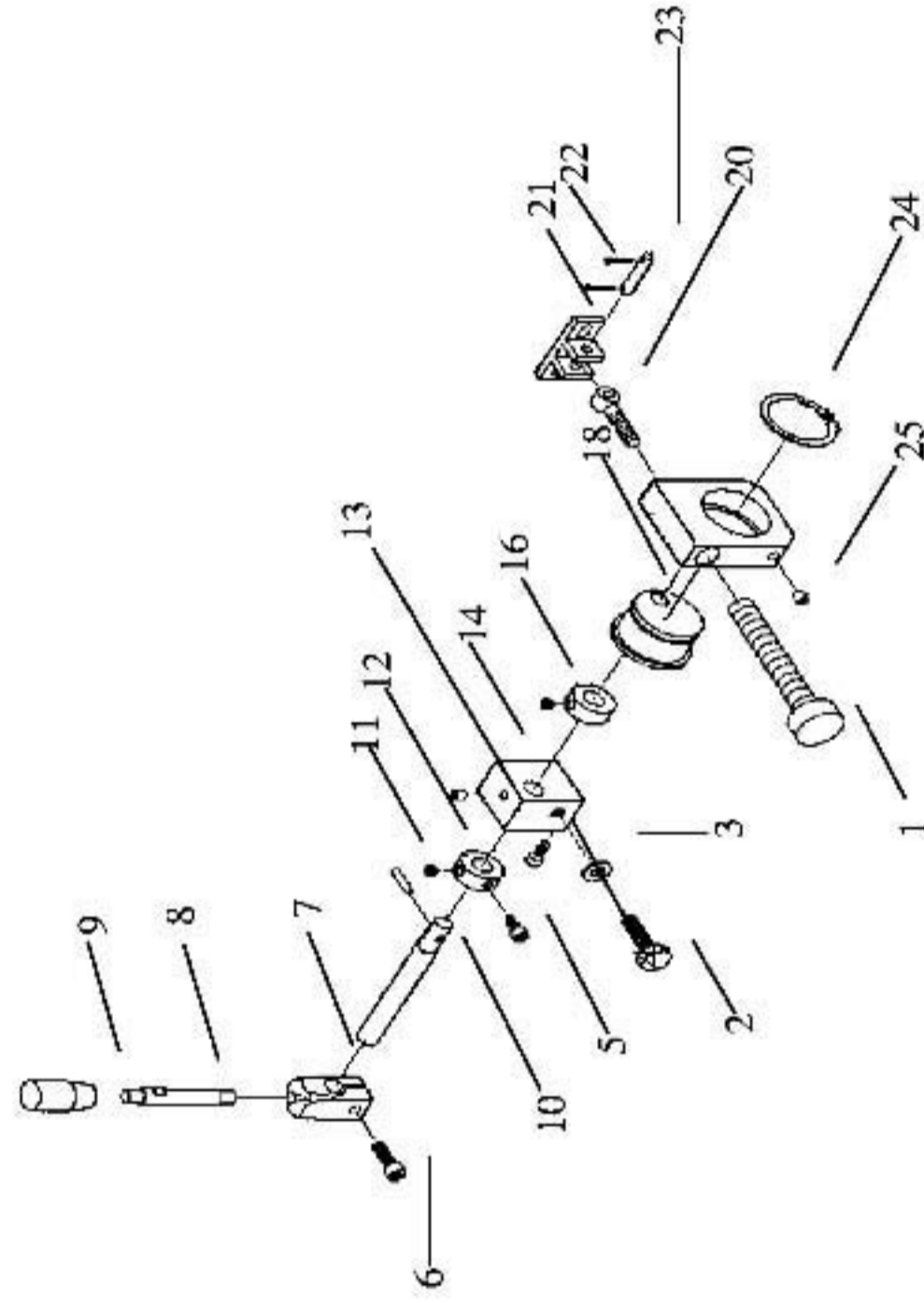


Tensioner Assembly

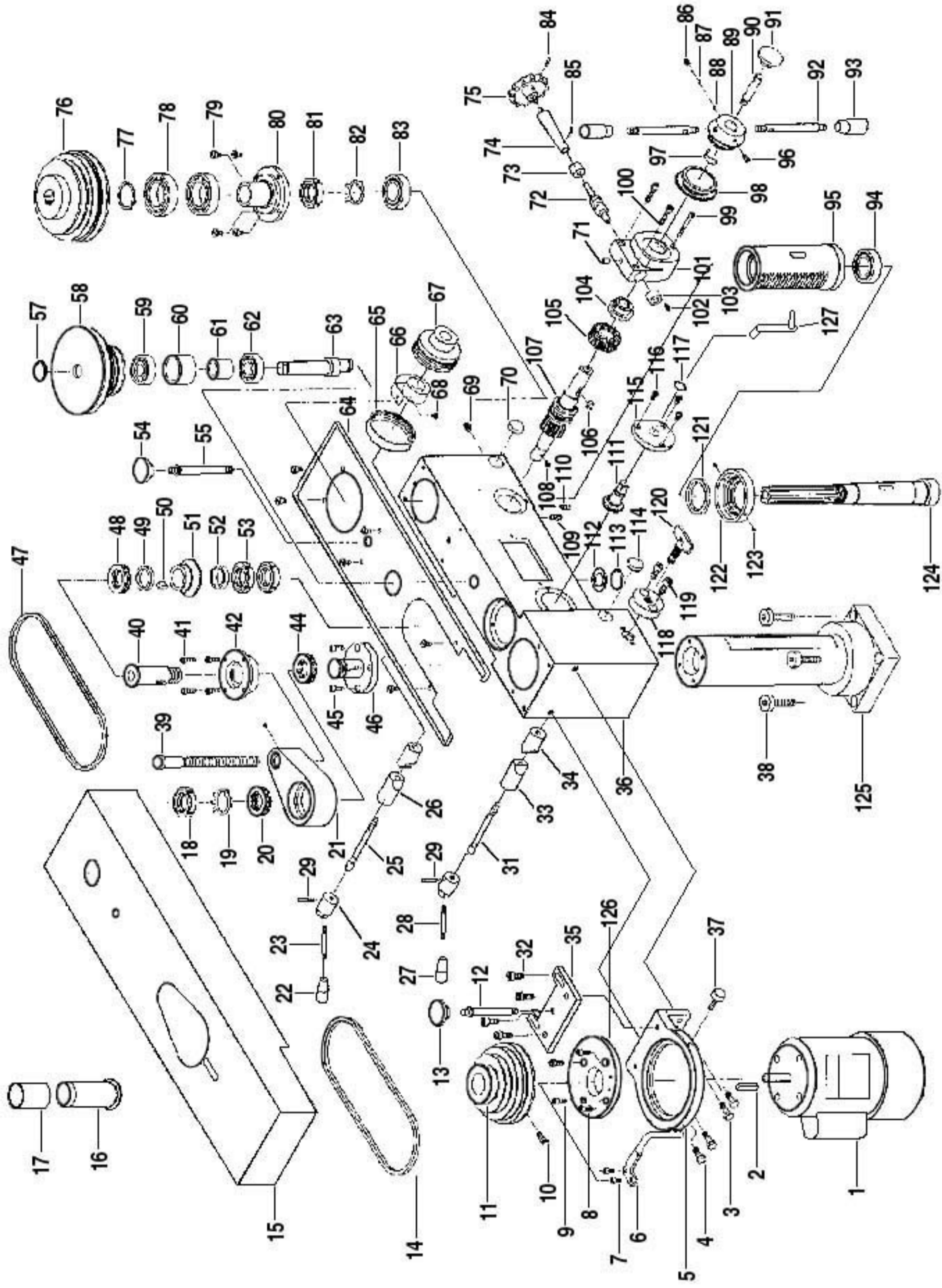


Tensioner Assembly

Diagram Number	Part Number	Reference Number	Description
1	C30448	AT300-00-0	Screw arbor with knurled knob
2	S12290	M8x30 GB5780-86	Hex head bolt
3	S18140	M8 GB97.1-85	Flat washer
4	S11991	M5x12 GB70-85	Cap screw
5	S11991	M5x12 GB70-85	Cap screw
6	S11991	M5x12 GB70-85	Cap screw
7	C30403	AT3 00-00-01	Handle seat
8	C30053	M8x50 GB4141.15-84	Handle lever
9	C30054	M8x40 Gb4141.14-84	Long handle knob
10	C30402	AT-300-00-02	Shaft
11	S22200	4x20 GB117-86	Taper Pin
12	S11660	M6x6 GB74-85	Set screw, cup point
13	C30401	AT300-00-03	Locating sleeve
14	C30050	6 GB115-79	Oil cup
15	C30399	AT-300-00-04	Locating piece
16	S11660	M6 x 6 GB74-85	Set screw, cup point
17	C30401	AT300-00-03	Locating sleeve

Diagram Number	Part Number	Reference Number	Description
18	C30411	AT-300-00-06	Eccentric wheel
19	C30398	AT-300-00-08	Seat
20	C30405	AT-300-00-09	Attachement screw arbor
21	C30406	AT300-00-10	Motor tension plate
22	S22520	M2x12 GB91-86	Split Pin
23	S22630	M6x30 GB119-86	Pivot Pin
24	S23320	40GB894.1-86	External snap ring
25	C30050	6 GB 1155-79	Oil cup

Mill Head Assembly



Mill Head Assembly

Diagram Number	Part Number	Reference Number	Description
1	C32000	C027144	Motor
2	S21320	B5x40 GB 1096-79	Plain parallel key
3	S12290	M8x20 GB5782-86	Hexagon head bolt
4	S12310	M8x25 GB782-86	Hexagon head bolt
5	C32001	AT520-00-005	Motor base
6	C32002	AT520-00-008	Handle tensioner
7	C30403	AT520-00-03	Screw, socket head cap screw
8	S11971	M6x16 GB70-85	Hexagon socket head screw
9	S12215	M5x12 GB71-85	Screw, cap sock head
10	S11948	M6x8 Dog Pt Set	Motor Pulley Set Screw
11	C32003	AT520-00-02	Motor pulley
12	C32004	AT520-00-04	Support rod
13	C30030	AT280-1-013	Cone knob
14	C32005	00 1000 GB1171-74	V-belt type 1000
15	C32006	ATT520-00-01	Pulley guard
16	C30610	AT280-002-02	Spindle cover
	C30610A		Ring for Spindle Cap

Diagram Number	Part Number	Reference Number	Description
17	C30609	AT280-002-01	Spindle top cover
18	C30211	M30x1.5 GB812	Spanner nut
19	S18300	30 GB858-88	Lock washer
20	C32007	8106 GB-84	Bearing
21	C32008	AT520-01-03	Column top seat
22	C30033	Bmx36	Knob
23	C30032	BM6x40	Handle lever
24	C30094	AT520-01-24	Handle seat
25	C32009	AT520-01-07	Stud
26	C32010	AT520-01-25	Locking sleeve
27	C30019	BM10x50	Knob
28	C30020	BM10x100	Handle lever
29	S22324	3x24 GB 117-86	Taper pin M3x24
30	C30094	AT300-00-123	Handle seat
31	C32011	AT520-01-19	Stud
32	S12820	M8x20 GB70-85	Screw, cap head
33	C32012	AT520-01-26	Locking sleeve

Mill Head Assembly

Diagram Number	Part Number	Reference Number	Description
34	C32013	AT520-01-20	Locking nut
35	C32014	AT520-00-10	Support plate
36	C32015	AT520-01 -01	Mill/drillhead box
37	C32016	AT520-00-009	Knurling screw
38	S12621	M10x30 GB70-85	Screw, cap socket head
39	C32017	AT520-01 -07	Height adjustment leadscrew
40	C32018	AT5200-01-06	Height adjustment nut
41	S11971	M6x16 GB70-85	Hex socket head screw
42	C32019	AT520-01-05	Nut base
43	S11642	M5x10 GB71-85	Set screw cone point
44	C32020	8106GB301-84	Bearing
45	S11971	M6x16 GB70-85	Hex socket head screw
46	C32021	AT520-01-04	Column head
47	C32022	0 710GB1171-74	V-belt type 710
48	C32023	204 GB276-89	Roller bearing
49	C32024	AT520-01-08	Adjustment washer
50	S21770	8x15 GB 1096	Plain parallel key

Diagram Number	Part Number	Reference Number	Description
51	C32025	AT520-01-09	Bevel gear
52	C32026	AT520-01-10	Washer
53	S18241	M24x1.5 GB812.88	Spanner nut
54	C30030	AT280-1-013	Cone knob
55	B30254	AT400-01-103	Pole support
56	S11580	M5x8 GB67-85	Pan head
57	S23215	GB894. 1-86	External snap ring 18
58	C32027	AT520-01-13	Middle pulley
59	S20280	GB276-89	Roller bearing
60	C32028	AT520-01-12	Outer ring spacer
61	C32029	AT520-01-11	Inner ring spacer
62	S20280	204 GB276-89	Roller bearing
63	B30246	AT400-01-115	Middle shaft
64	C32030	AT520-00-007	Pulley guard
65	C30023	AT280-1-002	Spring cap
66	C30024	0.8x20x1000	Spring flat

Mill Head Assembly

Diagram Number	Part Number	Reference Number	Description
67	C30025	AT280-1-004	Spring seat
68	S11315	M4x6 GB67-85	Setscrew, cup point
69	S12268	M8x14 GB75-85	Dog point setscrew
70	C30170	AT300-02-117	Locking base
71	C30035	8 GB1155-79	Oil cup
72	C30037	ATT280-1-035	Worm
73	C30034	AT280-1-036	Sleeve
74	B30265	AT400-01-147	Extension
75	C30039	AT280-1-033	Handwheel
76	C32031	AT520-01-14	Large pulley
77	S23320	40 GB894.1-86	External snap ring
78	S20560	108 GB276-89	Radial ball bearing
79	S11514	Mx5x14 GB5782-86	Hexagon head bolt
80	C32032	AT520-01-15	Bearing set
81	C30211	M30x1.5 GB812-88	Spanner nut
82	C30210	30 GB858-88	Lockwasher
83	S20410	2007106 GBB297-84	Tapered roller bearing

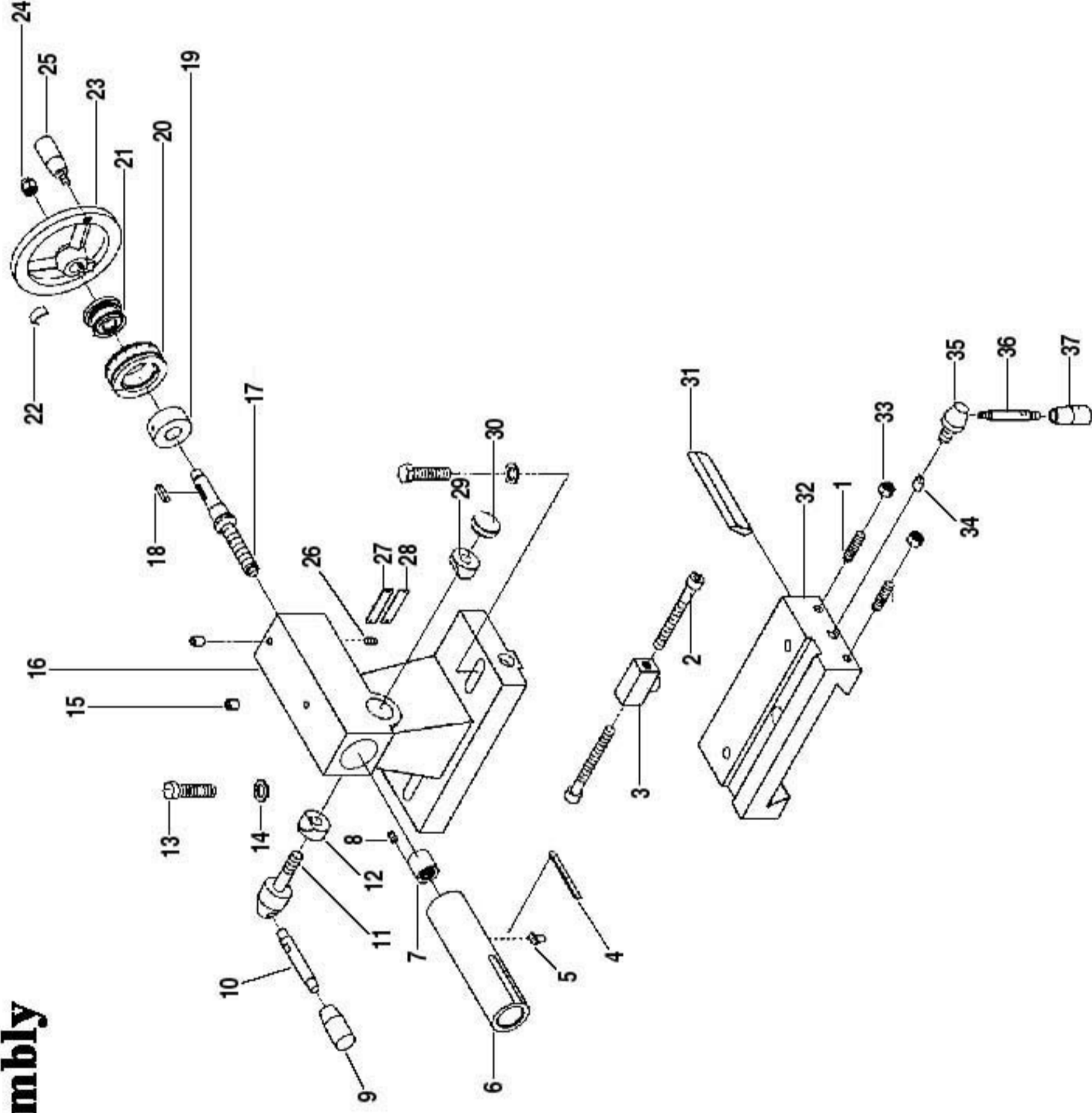
Diagram Number	Part Number	Reference Number	Description
84	S22130	3x18 GB117-86	Taper pin
85	S22110	3x16 GB117-86	Taper pin
86	S11938	M6x8 GB73-85	Flat point setscrew
87	C30200	0.6x5x15 GB2089-80	Spring
88	C30199	5 GB308-84	Steel ball
89	C30022	AT280-1-011	Handle set
90	C30029	AT280-1-012	Small shaft
91	C30030	AT280-1-013	Cone knob
92	C30020	BM10x100 GB4141.15-84	Handle levers
93	C30019	BM10x50 GB4141.14-84	Knobs
94	S20500	D2007107 GB297-84	Tapered roller bearing
95	C30016	AT280-1-025	Spindle sleeve
96	S11952	M6x12 GB71-85	Cone-point setscrew
97	C30201	AT300-03-139	Sping
98	C30021	AT280-1-010a	Calibrated dial
99	S12545	M5x45 GB70-85	Cap screw

Mill Head Assembly

Diagram Number	Part Number	Reference Number	Description
100	S12021	M6x30 GB70-85	Cap screw
101	C30036	AT280-1-007	Worm seat
102	S11642	M5x10 GB71-85	Cone point set screw
103	C30034	AT280-1-036	Sleeve
104	C30028	AT280-1-008	Clutch Sleeve
105	C30027	AT280-1-006	Worm gear
106	S21560	6x15 GB 1096-79	Plain parallel key
107	C32033	AT520-01-23	Gear shaft
108	S11315	M4x6 GB67-85	Set screw
109	S12282	M8x18 GB78-85	Screw, set cone point
110	S12282	M8x18 GB79-85	Screw, set cone point
111	C32034	AT520-01-21	Bevel gear shaft
112	B30245	20 GB97-86	Washer
113	S23215	20 GB 894.1-86	External snap ring
114	C30170	AT300-01-117	Locking base
115	C32035	AT520-01-22	Sleeve
116	S11905	M5x12 GB65-85	Screws,fillister head

Diagram Number	Part Number	Reference Number	Description
117	S23215	18 GB894.1-84	External snap ring
118	C32036	AT520-01-16	Screw seat
119	S12291	M8x20 GB70-85	Screw, cap socket head
120	C32037	AT520-01-18	Pressing screw
121	C30014	45 JB/GQ0324-89	Felt collar
122	C30013	AT280-1-027	Bearing cap
123	S11612	M5x6 GB71-85	Cone point setscrew
124	C30015	AT280-1-026	Drill/mill spindle
125	C32038	AT520-01-02	Column base support
126	C32039	AT520-00-03	Eccentric wheel
	C32041		Crank, Mill head
	C32040		Seat Handle Mill Head
	C30610A		Ring for Spindle Cap Bottom

Tailstock Assembly



Tailstock Assembly

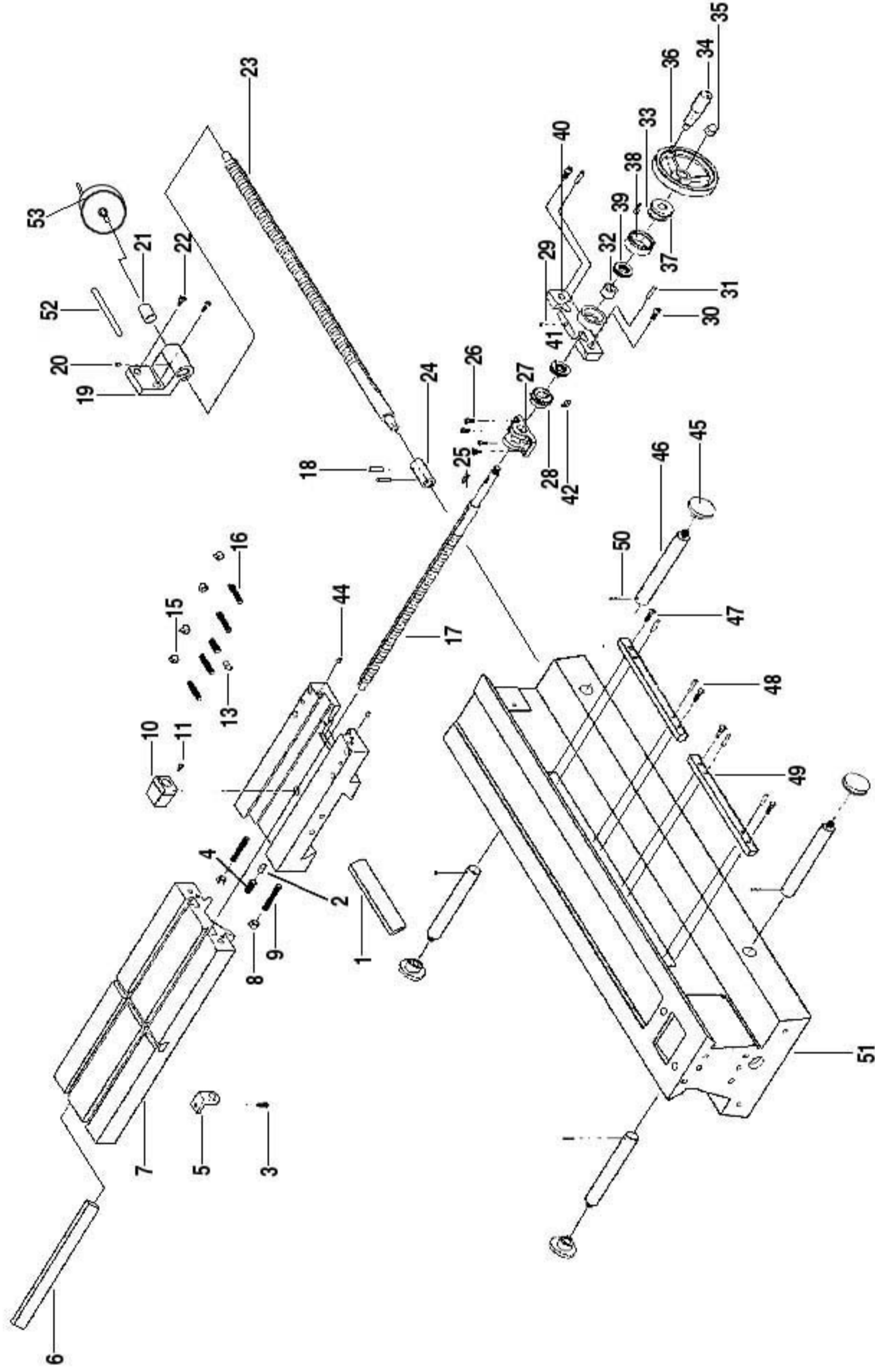
Diagram Number	Part Number	Reference Number	Description
1	S12318	M8x30 GB79-85	Hexagon socket set screw
2	S12421	M8x75	Hexagon socket head screw
3	C30163	AT300-02-118	Nut
4	C33001	AT300-02-122	Graduated label
5	S21040	AT300-02-113	T-key
6	C30164	AT300-02-113a	Tailstock sleeve
7	C30607	AT280-2-010A	Tailstock nut
8	S11642	M8x10 GBB71-85	Set screws with cone point
9	C30054	BM8x40 GB4141.14-84	Long sleeve knob
10	C30053	BM8x50 GB4141.15-84	Handle levers
11	C30052	AT280-2-001	Taper knob
12	C30051	AT300-02-106	Locking sleeve
13	S12640	M10x40 GB5782-86	Hexagon head bolts
14	S18170	10 GGB97.2-85	Plain washers
15	C30050	6 GB1155-79	Press-fit type feed lubricating
16	C30168	AT300-02-105	Tailstock
17	C30608	AT300-02-109A	Tailstock lead screw

Diagram Number	Part Number	Reference Number	Description
18	S21140	4x18 GB1096-79	Plain parallel key
19	C30171	AT300-02-111	Sleeve
20	C30600	AT300-02-110A	Dial
21	C30174	AT300-03-138	Sleeve
22	C30173	AT300-03-139	Spring lamination
23	C30059	B12x100 GBB4141.22-84	Handwheel
24	S18160	M10 GB923-88	Domed cap nuts
25	C30060	M6x50 GBB4141.5-84	Handles with sleeve
26	S11952	M6x10 GB71-85	Set screws with cone point
27	C33002	AT300-02-120	Zero line label
28	C33003	AT300-02-119	Tailstock label
29	C30049	AT300-02-106	Locking nut
30	C30170	AT300-02-117	Spigot
31	C30057	AT280-010	Chock
32	C30162	AT300-02-103	Tailstock carriage
33	S18125	M8 GB6172-86	Hexagon thin nut
34	S22420	AT280-2-012	Locking pin

Tailstock Assembly

Diagram Number	Part Number	Reference Number	Description
35	C30161	AT280-3-1-003	Locking handle seat
36	C30032	BM6x40 GB4141.15-84	Handle lever
37	C30033	BM6x36 GB4141.14-84	Long sleeve knob
	S12898		Drill Chuck Arbor Plug

Bed and Table Assembly



Bed and Table Assembly

Diagram Number	Part Number	Reference Number	Description
1	C30066	AT280-3-002	Gib
2	S22420	AT280-3-1-006	Locking pin
3	S12512	M5x12 GB65-85	Screw, pan head
4	S12568	M10x14 GBB79-85	Screw
5	C34001	AT520-03-08	Pedestal
6	C34002	AT520-03-09	Gib
7	C30419	AT520-03-213	Worktable
8	S18125	M8 GB6172-86	Nuts
9	S11845	M8x45 GB79-85	Screw, dog point
10	C34003	AT520-03-07	Cross nut
11	S11374	M4x16 GB70-85	Screw
12	C34004	AT520-03-10	Nut
13	S22420	AT280-3-006	Screws, dog point set
14	S12568	M10x14 GB79-85	Cross lead screw
15	S18125	M8 GB6172-86	Taper pin
16	S11845	M8x45 GB79-85	Trestle
17	C34005	AT520-03-11	Oil cup

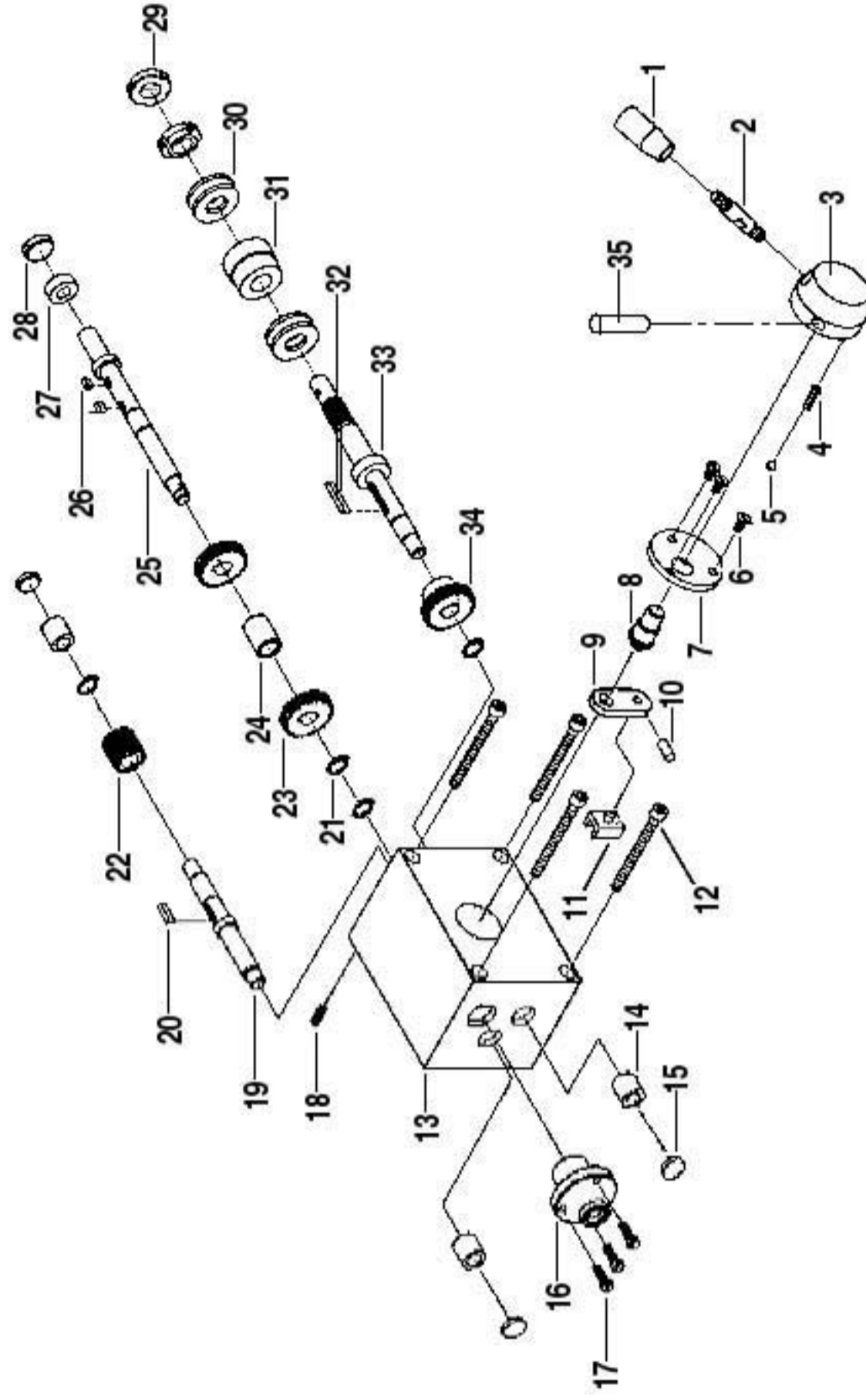
Diagram Number	Part Number	Reference Number	Description
18	S22200	4x20 GB 117-86	Taper pin
19	C34006	AT520-30-01	Trestle
20	C30050	6 GB 1155-79	Oil cup
21	C34007	AT300/4B-03-09	Sleeve
22	S12516	M5x16 GB70-85	Screws, cap
23	C34008	AT520-03-240	Longitudinal lead screw
24	C34009	AT520-03-14	Coupling sleeve
25	S21130	4x14 GB 1096-79	Key
26	S11341	M4x10 GB70-85	Screws, cap
27	C34010	AT520-03-04	Pedestal
28	C34011	AT520-03-05	Gear
29	C30050	6 GB1155-79	Oil cup
30	S11971	M6x16 GB70-85	Screws, cap sock head
31	S22170	5x26 GB 117-86	Pin ,taper
32	C34012	AT520-03-13	Sleeve
33	C30173	AT300-03-139	Spring
34	C30278	(C30060) M8x65 GB4141.5-84	Hand wheel handle

Bed and Table Assembly

Diagram Number	Part Number	Reference Number	Description
35	S18160	M10 GB923	Nut
36	C30059	B12x100	Handwheel
37	C30414	AT300-03-138	Sleeve
38	C30585	AT300-03-109A	Dial
39	S20090	8201 GB301-84	Bearing, thrust
40	C34013	AT520-03-12	Cross lead screw
41	S20090	8201 GB 301-84	Bearing
42	C34014	AT520-03-06	T-key
43	C34015	AT520-03-04	Pedestal
44	C30035	8GBB1155-79	Oil cup
45	C30030	AT300-03-107	Cone knob
46	C30063	AT300-03-108	Lifting handle
47	S21520	M5x20 GB67-85	Screw pan
48	S22525	5x22 GB 117-86	Pin
49	C34016	AT520-03-03	Rack
50	S22540	3x26 GB91-86	Pin
51	C34017	AT520-03-02	Bed

Diagram Number	Part Number	Reference Number	Description
52	C34020		Shaft
53	C39408		Handle leadscrew assembly
	S21140	Lead Screw Key	Parallel Key
	C30443	Left Rear	Wiper
	C30444	Left Front	Wiper
	C30445	Right Front	Wiper
	C30446	Right Rear	Wiper

Powerfeed Engagement



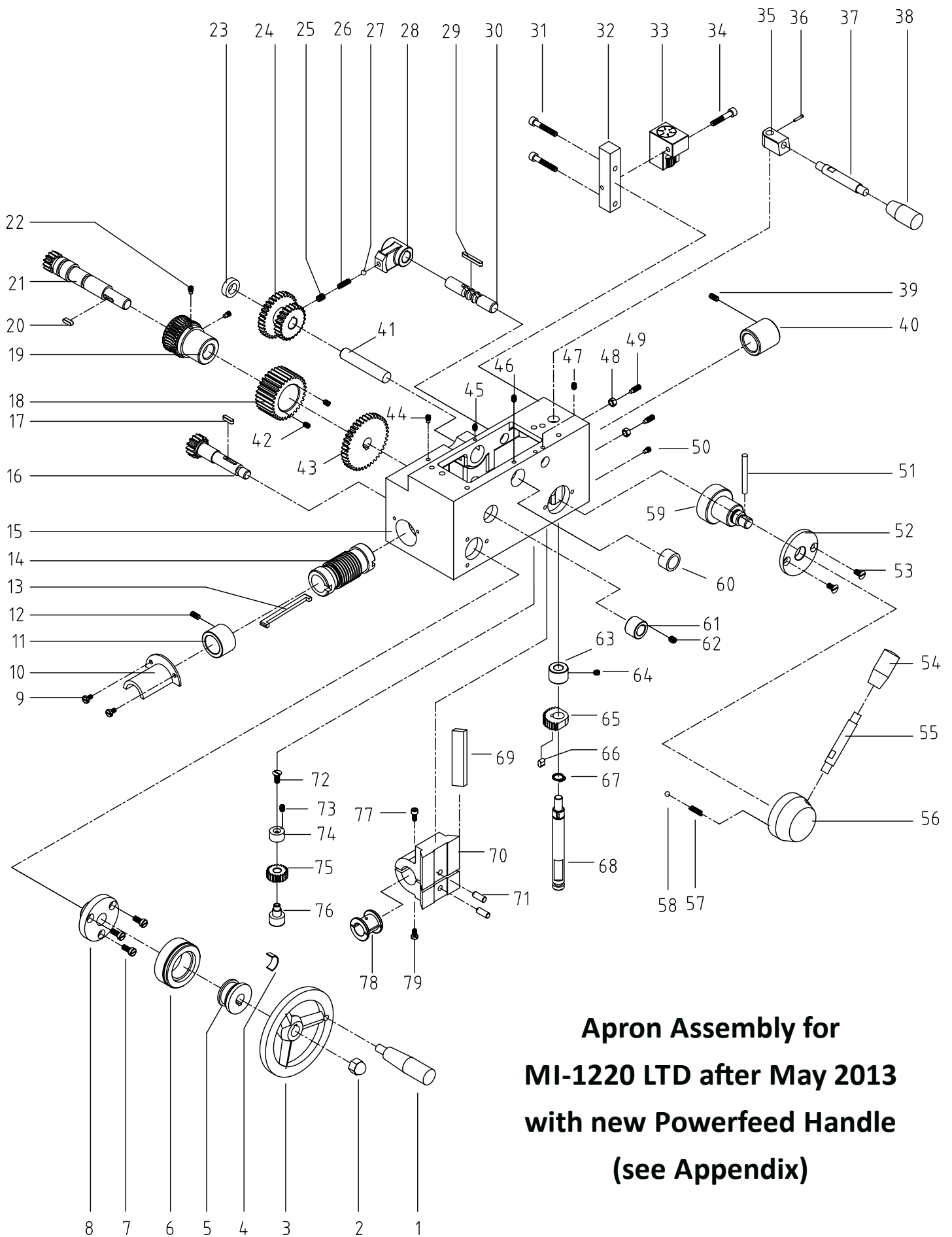
Powerfeed Engagement

Diagram Number	Part Number	Reference Number	Description
1	C30054	BM8x40 GB4141.14-84	Knob
2	C30053	BM8x25 GB4141.15-84	Handle lever
3	C30124	12x50 GB4141.19-84	Handle seat
4	C30125	0.8x5x25 GB2089-84	Spring
5	C30126	6.5 GB308-84	Steel ball
6	S11643	M5x10 GB68-85	Slotted flathead screws
7	C35001	AT520-03-116	Locating plate
8	C35002	AT520-03-115	Shaft
9	C35003	AT520-03-114	Shifting fork plate
10	S22032	M3x20 GB 117-86	Taper pin
11	C35004	AT520-03-117	Shifting yoke
12	S12680	M6x80 GB70-85	Screws, cap socket head
13	C35005	AT5 20-03-104	Left trestle
14	C35006	AT520-03-108	Sleeves
15	C35007	AT520-03-113	Hole plug
16	C35008	AT300/4B-03-01	Pedestal
17	S11516	M5x16 GB65-85	Fillister head screws

Diagram Number	Part Number	Reference Number	Description
18	S11672	M5x16 GB71-85	Set screw with cone point
19	C35009	AT520-03-112	Shaft
20	S22416	4x16 GB 1096-79	Plain parallel key
21	S23140	12 GB894.1-86	External snap rings
22	C35010	AT520-03-110	Gear
23	C35011	AT520-03-102	Gear
24	C35012	AT520-03-103	Spacing sleeve
25	C35013	AT5 20-03-101	Shaft
26	S22408	4x8 GB 1096-79	Plain parallel key
27	C35014	AT520-03-105	Sleeve
28	C35015	AT5 20-03-106	T hole plug
29	M18718	M14x1.5 GB812-86	Round nuts-spanner nuts
30	S20090	8102 GB301-84	Bearing, thrust
31	C35016	AT520-03-109	Sleeve
32	S21178	4x28 GB 1096-79	Plain parallel key
33	C35017	AT5 20-03-107	Shaft

Powerfeed Engagement

Diagram Number	Part Number	Reference Number	Description
34	C35018	AT520-03-111	Gear
35	S22185	5x50 GB 117-86	Taper pin
	C30050		Oil Nipples



**Apron Assembly for
 MI-1220 LTD after May 2013
 with new Powerfeed Handle
 (see Appendix)**

Apron Assembly for LTD after May 2013

No.	Smithy #	Description	Reference # (order #)	Factory #
1	C30060	Handle with Sleeve	M6X50 GB4141.5-84	AT520A03200-1
2	S18160	Nut, Domes Cap	M10 GB923-88	AT520A03200-2
3	C30059	Hand Wheel	B12X100 GB4141.22-84	AT520A03200-3
4	C30173	Spring lamination (Leaf)	AT300-03-139	AT520A03200-4
5	C36001	Sleeve	AT520-03-226	AT520A03200-5
6	C36002	Dial (Inch)	AT520-03-236	AT520A03200-6
7	S11905	Screw, Fillister M5x12	M5X12 GB65-85	AT520A03200-7
8	C36003	Flange Sleeve	AT520-03-210	AT520A03200-8
9	S11344	Screw, Pan Head M4X10	M4X10 GB67-85	AT520A03200-9
10	C36009	Sleeve, Guard	AT520-03-241	AT520A03200-10
11	C30651	Sleeve	AT520A-03-222	AT520A03200-11
12	S11640	Screw, Set Cone PT M5X10	M5X10 GB71-85	AT520A03200-12
13	C36011	Key	AT520-03-203	AT520A03200-13
14	C36012	Worm Shaft	AT520-03-204	AT520A03200-14
15	C30652	Apron Body	AT520A-03-202S	AT520A03200-15
16	C30653	Gear Shaft	AT520A-03-220BW	AT520A03200-16
17	S21130	Key, 4x14	4X14 GB1096-79	AT520A03200-17
18	C30654	Gear	AT520A-03-208	AT520A03200-18
19	C30655	Worm Gear	AT520-03-209	AT520A03200-19
20	S21130	Key, 4x14	4X14 GB1096-79	AT520A03200-20
21	C30656	Gear Shaft	AT520A-03-221BW	AT520A03200-21
22	S11215	Screw, Set Dog PT M5X12	M5X12 GB75-85	AT520A03200-22
23	C36026	Sleeve	AT520-03-217	AT520A03200-23
24	C30657	Gear	AT520A-03-215	AT520A03200-24
25	S11938	Screw, Set Flat PT M6X8	M6X8 GB73-85	AT520A03200-25
26	C30107	Spring, 0.6X5X15	0.6X5X15 GB2089-80	AT520A03200-26

Apron Assembly for LTD after May 2013

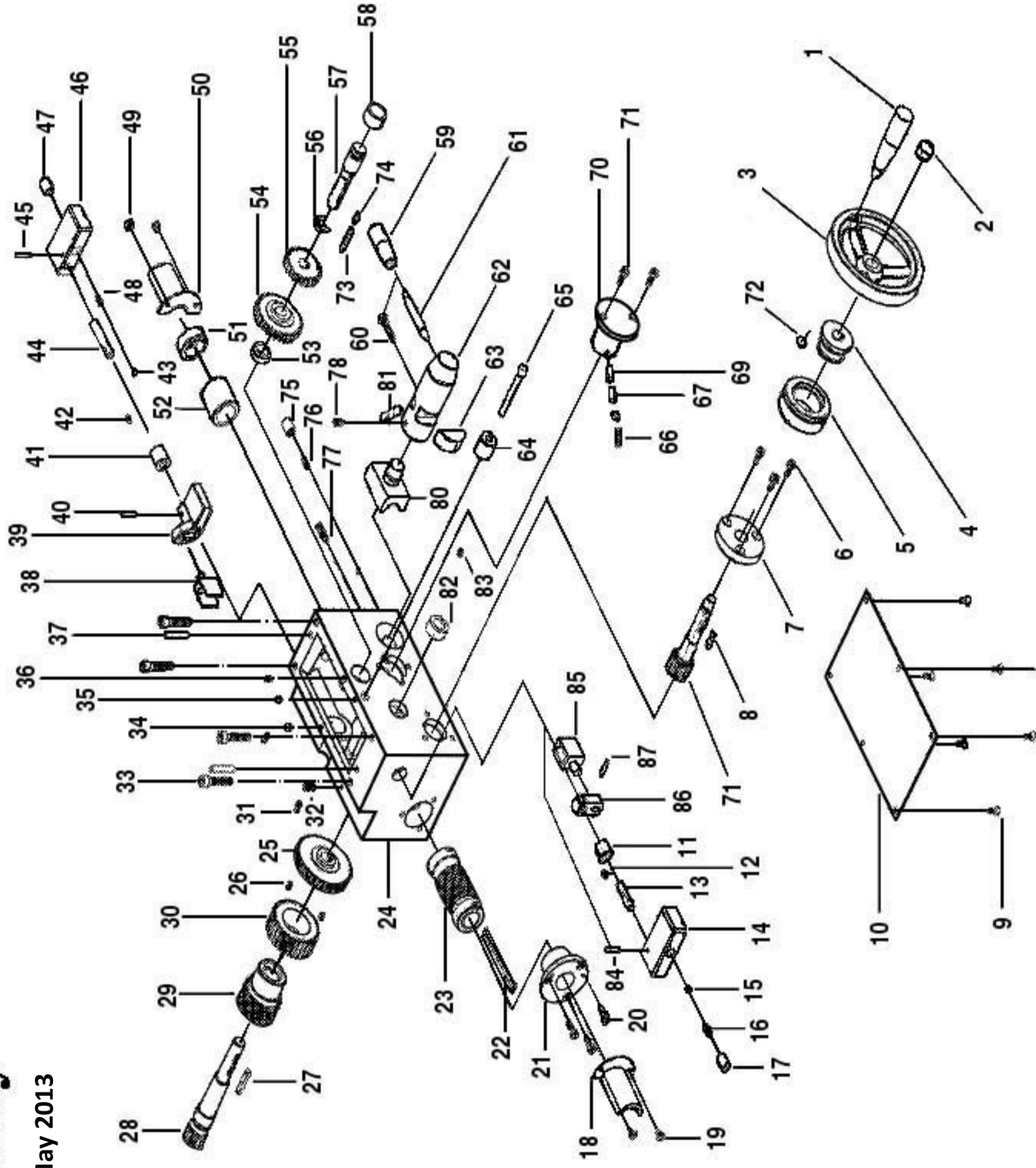
27	C30199	Steel Ball 5	5 GB308-77	AT520A03200-27
28	C30658	Shifting Fork	AT520A-03-205	AT520A03200-28
29	S21428	Key, 4x28	4X28 GB1096-79	AT520A03200-29
30	C30659	Shaft	AT520A-03-204	AT520A03200-30
31	S12525	Screw, Cap Sock Head M5X25	M5X25 GB70-85	AT520A03200-31
32	C30660	Dial Base	AT520A-03-223	AT520A03200-32
33	C39520	Threading Dial Assembly	AT520-00-300	AT520A03200-33
34	S12525	Screw, Cap Sock Head M5X25	M5X25 GB70-85	AT520A03200-34
35	C30661	Handle Seat, Square	AT520A-03-213	AT520A03200-35
36	S22132	Pin, 3X12	3X12 GB117-86	AT520A03200-36
37	C30053	Handle Lever BM8X50	BM8X50 GB4141.15-84	AT520A03200-37
38	C30054	Knob, Long Sleeve BM8X40	BM8X40 GB4141.14-84	AT520A03200-38
39	S11642	Screw, Set Cone PT M5X10	M5X10 GB71-85	AT520A03200-39
40	C30662	Sleeve	AT520A-03-217	AT520A03200-40
41	C30663	Shaft	AT520A-03-216	AT520A03200-41
42	S11632	Screw, Set Cone PT M5X8	M5X8 GB71-85	AT520A03200-42
43	C30664	Gear	AT520A-03-207	AT520A03200-43
44	S11632	Screw, Set Cone PT M5X8	M5X8 GB71-85	AT520A03200-44
45	S11332	Screw, Set Cone PT M4X8	M4X8 GB71-85	AT520A03200-45
46	S11642	Screw, Set Cone PT M5X10	M5X10 GB71-85	AT520A03200-46
47	S11632	Screw, Set Cone PT M5X8	M5X8 GB71-85	AT520A03200-47
48	S18065	Nut, Hex M5	M5 GB6170-86	AT520A03200-48
49	S11718	Screw, Set Dog PT M5X25	M5X25 GB75-85	AT520A03200-49
50	S11215	Screw, Set Dog PT M5X12	M5X12 GB75-85	AT520A03200-50
51	S22185	Pin, M5X50	M5X50 GB117-86	AT520A03200-51
52	C30127	Plate, Location	AT300-04-134	AT520A03200-52
53	S25414	Screw, Counter Sunk Head M5X10	M5X10 GB68-85	AT520A03200-53

Apron Assembly for LTD after May 2013

54	C30054	Knob, Long Sleeve BM8X40	BM8X40 GB4141.14-84	AT520A03200-54
55	C30053	Handle Lever, BM8X50	BM8X50 GB4141.15-84	AT520A03200-55
56	C30124	Handle Seat M12X50	M12X50 GB4141.19-84	AT520A03200-56
57	C30125	Spring, 0.8X5X25	0.8X5X25 GB2089-80	AT520A03200-57
58	C30199	Steel Ball 5	5 GB308-77	AT520A03200-58
59	C30665	Shaft	AT520A-03-203	AT520A03200-59
60	C36030	Sleeve	AT520-03-230	AT520A03200-60
61	C30666	Sleeve	AT520A-03-206	AT520A03200-61
62	S11215	Screw, Set Dog PT M5X12	M5X12 GB75-85	AT520A03200-62
63	C30674	Sleeve	AT520A-03-127	AT520A03200-63
64	S11512	Screw, Set Cone PT M5X12	M5X12 GB71-85	AT520A03200-64
65	C30667	Gear	AT520A-03-210A	AT520A03200-65
66	S22408	Key, M4X8	4X8 GB1096-79	AT520A03200-66
67	S23140	Ring, External Snap 12	12 GB894.1.86	AT520A03200-67
68	C30668	Shaft, Rotatable	AT520A-03-212A	AT520A03200-68
69	C30675	Block, Small	AT400-03-127	AT520A03200-69
70	C30669	Nut Seat, Longitudinal	AT520A-03-214-1	AT520A03200-70
71	C30676	Pin, Shaft	AT400-03-126	AT520A03200-71
72	S11653	Screw, Counter Sunk Head M5X12	M5X12 GB68-85	AT520A03200-72
73	S11946	Screw, Set Cone PT M4X6	M4X6 GB71-85	AT520A03200-73
74	C30670	Sleeve, Location	AT520A-03-226	AT520A03200-74
75	C30671	Gear	AT520A-03-211A	AT520A03200-75
76	C30672	Shaft, Location	AT520A-03-218A	AT520A03200-76
77	S11951	Screw, Cap Sock Head M6X12	M6X12 GB70-85	AT520A03200-77
78	C30673	Nut, Longitudinal	AT520A-03-214-2	AT520A03200-78
79	S25413	Screw, Pan Head M6X8	M6X8 GB818-85	AT520A03200-79

Apron Assembly

for LTDs previous to May 2013



Apron Assembly for LTDs previous to May 2013

Diagram Number	Part Number	Reference Number	Description
1	C30060	M6x50 GB4141.5-84	Handwheel handle
2	S18160	M10 GB923-86	Nut
3	C30059	B-12x100 GB4141.22-84	Handwheel
4	C36001	AT520-03-226	Sleeve
5	C36002	AT520-03-236	Dial (inch)
6	S11905	M5x12 GB65-85	Screw, fillister
7	C36003	AT520-03-210	Flange sleeve
8	S21110	4x18 GB 1096-79	Key
9	S11333	M4x8 GB819-85	Screw, flathead
10	C36004	AT520-03-235	Cover
11	C36005	AT520-03-231	Sleeve
12	S11332	M4x8 GB71-85	Screw, cone point set
13	C36006	AT520-03-232	Shaft
14	C36007	AT520-03-221	Handle
15	C30199	GB308-77	Steel ball
16	C30107	M6x5x15 GBB2089-80	Spring
17	C36008	AT520-03-223	Screw

Diagram Number	Part Number	Reference Number	Description
18	C36009	AT520-03-241	Guard sleeve
19	S11036	M3x6 GBB67-95	Screw
20	S11850	M5x8 GBB65-85	Screw, fillister
21	C36010	AT520-03-201	Bearing cap
22	C36011	AT520-03-203	Key
23	C36012	AT520-03-204	Worm shaft
24	C36013	AT520-03-202	Apron body
25	C36014	AT520-03-227	Gear
26	S11632	M5x8 GB71-85	Screw, cone point set
27	S21425	4x24 GBB1096-79	Key M6X12
28	C36015	AT520-03-214	Gear shaft (inch)
29	C36016	AT520-03-213	Worm gear
30	C36017	AT520-03-212	Gear
31	S11642	M5x10 GB71-85	Screw, cone point
32	S11215	M5x12 GB75-85	Screw, dog point
33	S12021	M6x30 GB70-85	Screw, cup screw
34	S11632	M5x8 GB71-85	Screw, cone point

Apron Assembly for LTDs previous to May 2013

Diagram Number	Part Number	Reference Number	Description
35	S11642		Screw, cone point
36	S11642	M5x10 GB71-85	Screw, cone point
37	S22640	M6x40	Pins, taper
38	C36018	AT520-03-218	Shifting fork
39	C36019	AT520-03-219	Shifting fork shaft
40	S22032	3x20 GBB 117-85	Pin, taper
41	C36019	AT520-03-220	Sleeve
42	S11332	M4x8 GB71-85	Screw, cone point
43	C30199	5 GB308-77	Steel ball
44	C36020	AAT520-03-232	Shaft
45	S22032	3x20 GB117-85	Pin, taper
46	C36021	AT520-03-221	Handle
47	C36022	AT520-03-223	Screw
48	C30107	0.6x5x15	Spring
49	C30107	M3x6 GB67-85	Screw, pan
50	C36023	AT520-03-241	Guard sleeve
51	C36024	AT520-03-209	Sleeve

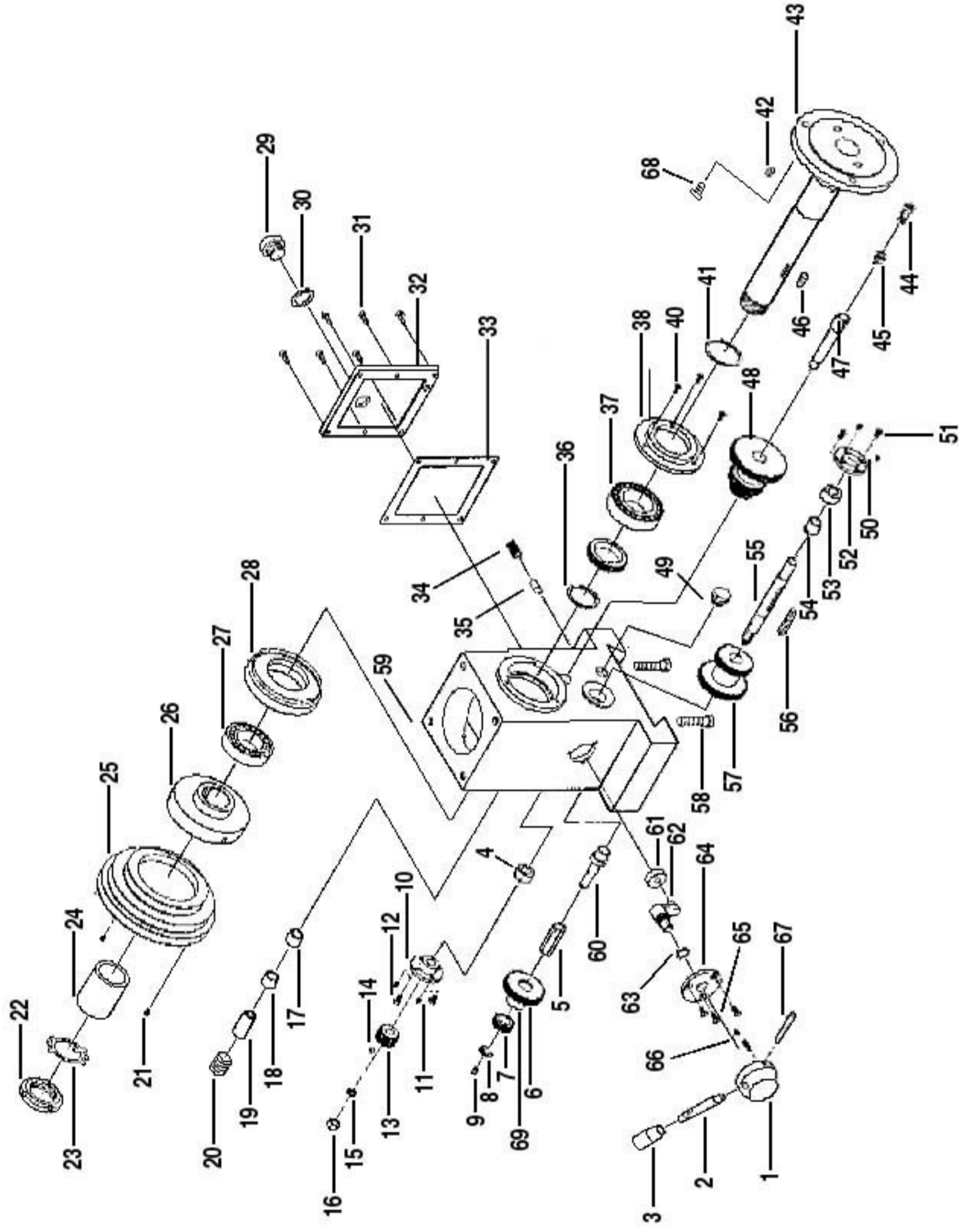
Diagram Number	Part Number	Reference Number	Description
52	C36025	AT520-03-206	Sleeve
53	C36026	AT520-03-217	Sleeve
54	C36027	AT520-03-215	Gear
55	C36028	AT520-03-229	Gear
56	S23080	9 GB896-86	Check ring
57	C36029	AT520-03-216	Shaft
58	C36030	AT520-03-230	Sleeve
59	C30033	B-M6x36	Handle sleeve B -plastic
60	S11520	M5x20 GB65-85	Screw, fillister M5x20
61	C30032	B-M6x40	Handle lever
62	C36031	AT520-03-225	Cam shaft
63	C36032	AT520-03-207	Cam
64	C36033	AT520-03-238	Sleeve
65	C36034	AT520-03-237	Axis
66	C36035	00.8x8x25	Spring
67	C36036	4 GB 896-86	Check ring

Apron Assembly for LTDs previous to May 2013

Diagram Number	Part Number	Reference Number	Description
68	C36037	AT520-03-205	Spring seat
69	C36038	AT520-03-224	Setscrew, cup point
70	S11410	M4x10 GB65-85	Dog point setscrew
71	C36039	AT520-02-211	Locking base
72	C30173	AT300-03-139	Oil cup
73	S21425	4x25 GB 1096-79	Worm
74	S22408	4x8 GB 1096-79	Sleeve
75	C36040	AT520-03-223	Extension
76	S22651	0.6x5x15 GB2089-80	Handwheel
77	S11978	M6x16 GB75-85	Large pulley
78	S12058	M5x8 GB75-85	External snap ring
79	C30199	5 GB308-77	Radial ball bearing
80	C36041	AT520-03-208	Hexagon head bolt
81	C36042	AT520-03-239	Bearing set
82	C36043	AT5 20-03-228	Spanner nut
83	S11332	M4x8 GB71-85	Lockwasher
84	S22032	3x20 GBB 117-85	Tapered roller bearing

Diagram Number	Part Number	Reference Number	Description
85	C36044	AT520-03-234	Shifting fork
86	C36045	AT520-03-233	Shifting fork plate
87	S22032	3x20 GB 117-85	Pin,taper

Lathe Head



Lathe Head

Diagram Number	Part Number	Reference Number	Description
1	C30124	12x50 GBB4141.19-84	Handle seat
2	C30053	BM8x50 GB4141.15-84	Handle lever
3	C30054	BM8x40 GB4141.14-84	Knob
4	C30133	AT300-04-121	Oil-impregnated bearing
5	C30118	AT300-04-118	Spline housing
6	C30153	AT300-04-120	Gear,50Tooth
7	C37001	AT300-03-137a	Gear
8	S23080	9 GB896-86	E-shaped snap ring
9	Z40024		Zerk
10	C30120	AAT300-04-117	End cap
11	S11643	M5x10 GB68-85	Counter sunk screws
12	S11618	M5x6 GB73-85	Flat-point set screws
13	C30119	AT300-04-116	Gear,24 Tooth
14	S21110	4x8 GB 1096-79	Plain parallel key
15	S18135	8 GB93-87	Spring washer
16	S18125	M8 GB6170-86	Hexagon nut
17	C30117	AT300-04-125	Oil-impregnated bearing

Diagram Number	Part Number	Reference Number	Description
18	C30117	AT300-04-125	Oil-impregnated bearing
19	C30116	AT300-04-122	Sleeve
20	S13198	M20x20 GB77-85	Flat-point setscrew
21	S11635	M5x8 GB71-85	Set screws with cone point
22	C30218	M35x1.5 GB812-76	Round nut
23	C30217	35 GGB858-76	Lock washer
24	C37002	CQ9330-04-110	Shaft sleeve
25	C30109	AT300-04-108	Spindle pulley
26	C37003	CQ9330-04-109	Pulley seat
27	S20500	D2007107 GB297-84	Taper roller bearing
28	C37004	CQ9330-04-107	Bearing seat
29	C30103	M20x1.5 Q/ZB 20-77	Oil port plug
30	S24400	30x20x2	O-Ring
31	S11673	M5x16 GGB68-85	Counter sunk-head screws
32	C30102	AT300-04-138	Transmission cover
33	C30101	AT300-04-137	Gasket
34	S12618	M10X25	Set Dog PT Screw

Lathe Head

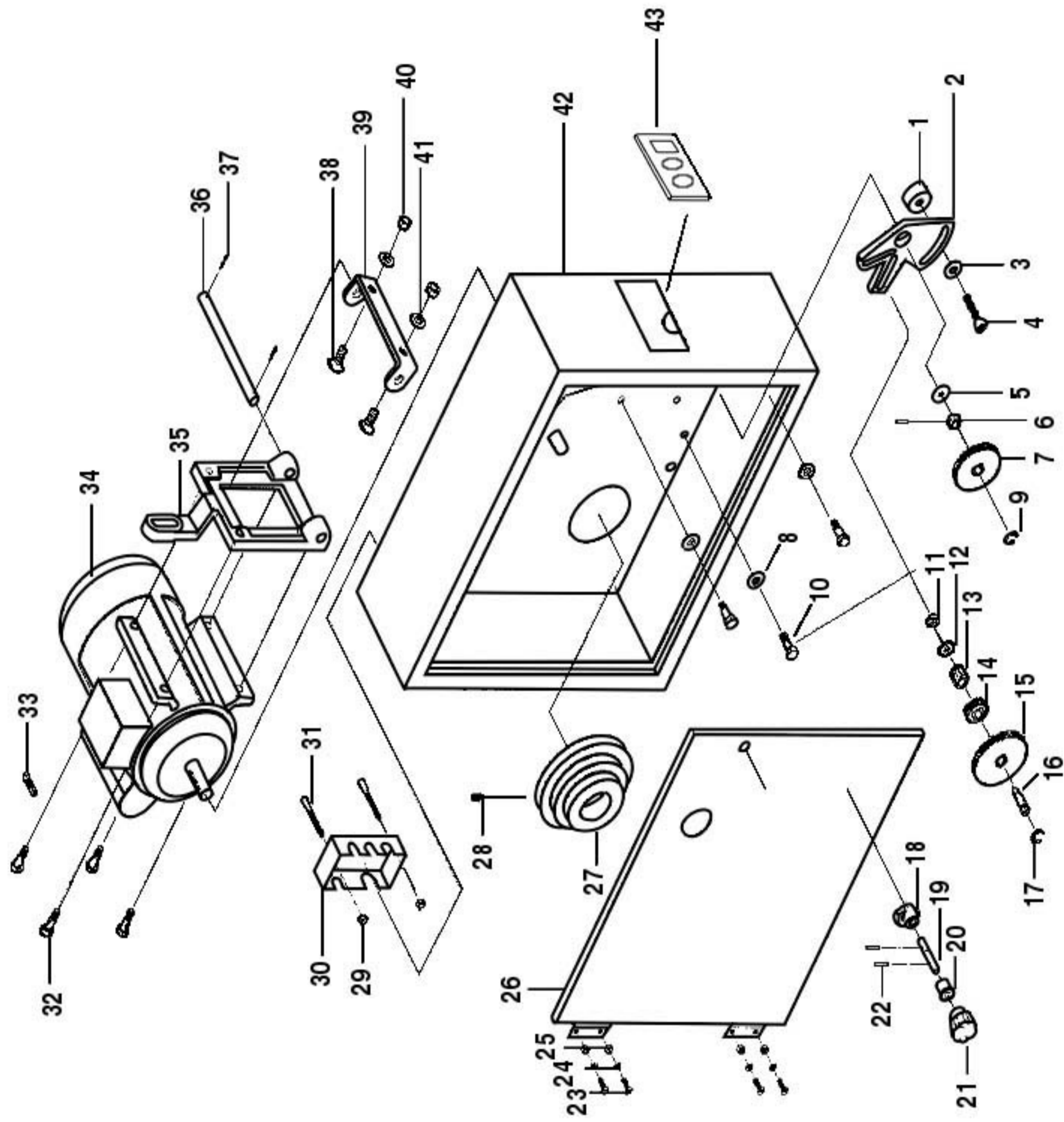
Diagram Number	Part Number	Reference Number	Description
35	S22420	AT300-04-138	Locking pin
36	S23290	36 GB894.1-86	External snap ring
37	C30099	AT300-04-104	Gear, 50 tooth
38	S20550	GB297-84	Taper roller bearing
39	C30098	AT300-04-102	Mainshaft bearing oil seal
40	S12410	M4x10 GB68-85	Phillips screw flat head
41	C30014		Felt collar
42	S21509	C6x4x12	Thin flat key
43	C30097	CQ9330-04-101	Lathe spindle
44	S12314	M8x25 GB822-76	Cheese-head screw
45	C30136	AT300-04-132	Shaft nose
46	S22642	6x4x22	Thin flat key
47	C30135	AT3 00-04-131	Middle shaft
48	C30122	AT300-04-130	Triple gear
49	C30131	10R51-2 JB283-60	Oil level indicator
50	S11618	M5x6 GB73-85	Flat-point setscrew

Diagram Number	Part Number	Reference Number	Description
51	S11643	M5x10 GB68-85	Counter sunk screw
52	C30134	AT300-04-129	End cap
53	C30133	AT300-04-121	Oil-impregnated bearing
54	C30132	AT300-04-126	Sleeve spacer
55	C30130	AT300-04-124	Output shaft
56	S21320	5x40 GB 1096-79	Plain parallel
57	C30123	AT300-04-123	Duplicate gear
58	S12620	M10x30	Bolt
59	C30100	AT300-04-103	Lathe head
60	C30121	AT300-04-119	Shaft
	C30121A		Shaft (new 2004)
61	C30129	AT300-04-133	Loose Piece
62	C30128	AT300-04-136S	Lifting Fork
63	S24200	15x2.4 GB1235-76	O-Seal
64	S30127	AT300-04-134	Locating plate

Lathe Head

Diagram Number	Part Number	Reference Number	Description
65	S11643	M5x10 GB68-85	Counter sunk screw
66	C30126	6.5 GB308-77	Steel ball
67	S22185	5x50 GB 117-86	Pin
68	S12290	M8x20	Hex Head Bolt
69	C30553		Sleeve

Pulley Box



Pulley Box

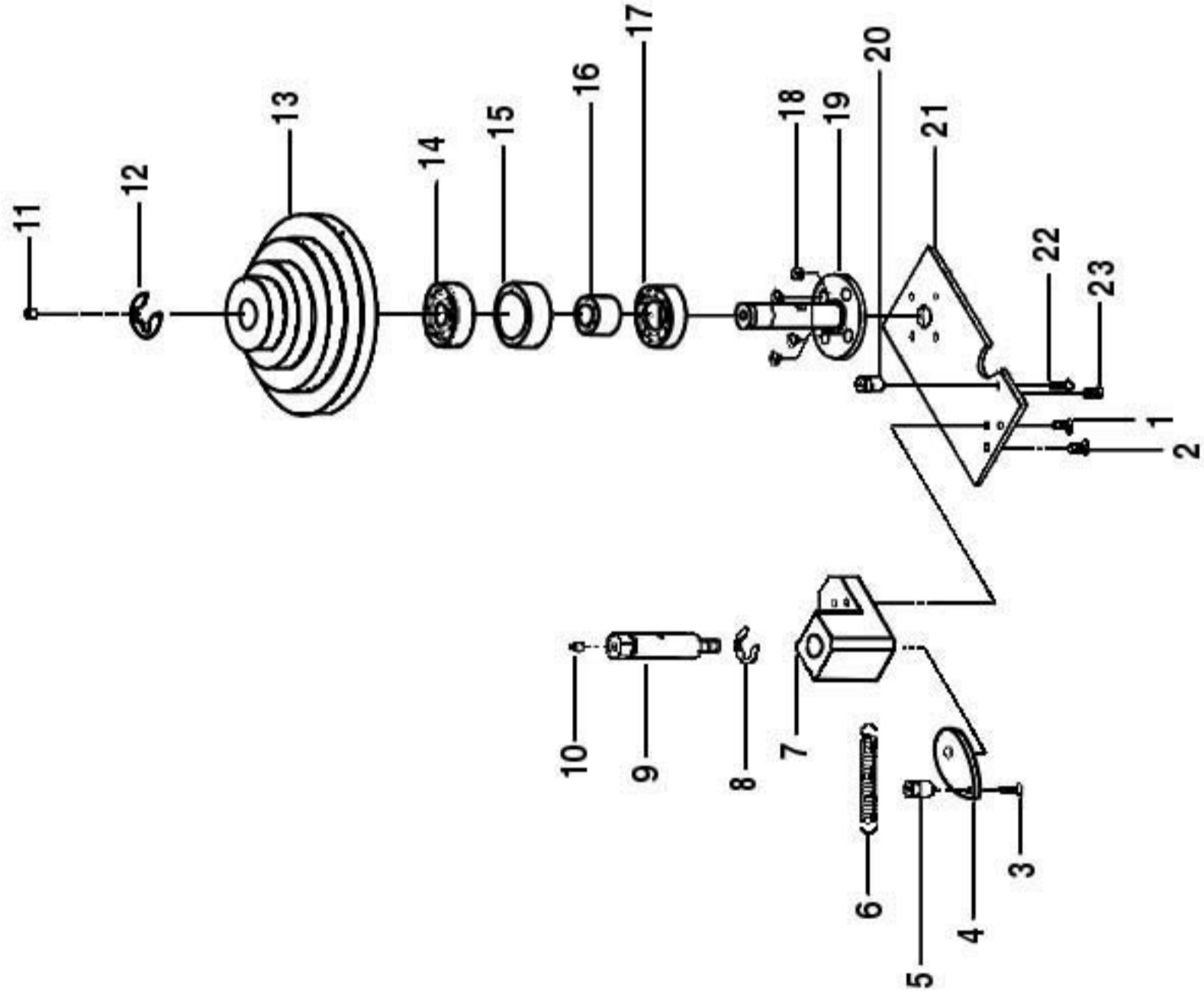
Diagram Number	Part Number	Reference Number	Description
1	C30462	AT300-03-136	Spacer
2	C30083	AT300-03135	Change gear plate
	C30594		Change gear plate, Inch
3	S18140	8GB9785	Washer 24
4	S12331	M8x35 GB7085	Hexagon head bolt
5	S18170	AT300-03-141	Washer
6	C30081S 1	D Shaped Spline Housing	Spline housing – Shaft short
7	C30159		Gear (60Tooth)
8	S18135	8GB93-87	Spring washers
9	S23080	9GB896-86	E-shaped snap ring
10	S12270	M8X16 GB578286	Hexagon head bolts
11	C30082	AT300-03134	T-Nut 32
12	C30215	AT300-03133	Washer
13	C30081	AT300-03132	Spline housing 27 – M Length
14	C30143	AT300-03137A(27)	Gear, 27 Tooth
15	C30202	AT300-03137A(70)	Gear, 70tooth
16	C30080	AT300-03131	Change gear shaft

Diagram Number	Part Number	Reference Number	Description
17	S23080	9GB896-86	E-shaped snap ring
18	C30093	AT300-05-108	Door knob
19	C30042	AT300-05-110	Shaft
20	C38002	AT300-05-111	Stationary sleeve
21	C39025		Locking Assembly, Door
22	S22140	3x18 GB117-86	Taper pin
23	S11344	M4x10 GB65-85	Slotted cheesehead screw
24	S18045	4GB93-87	Spring washers
25	S18030	M4 GB6170-85	Hexagon nuts
26	C38003	AT300-05-200	Compound box blind
27	C38004	AT300-00111	Motor pulley
28	S12248	M8x10 GB73-85	Flat-point screw
29	S18030	M4 GB6170-85	Hexagon nuts
30	C38005	AT520-00-021	Connecting Box
31	S11320	M4x20 GB65-85	Screws, fillister
32	S12290	M8x20 GB578286	Hexagon-head bolts
33	S21290		Plain parallel key

Pulley Box

Diagram Number	Part Number	Reference Number	Description
34	C30475	CO2 7144(550W)	110VMount,0.55KW
35	C30476	AT300-00-112	Motor mount plate
36	C30484	12x150 GB119-86	Straight pins
37	S22530	3x16 GB91-86	Cottor pin
38	M10x30	GB68-85	Screws, flat head
39	C30062	AT280-3-005	Pedestal
40	S18155	M10 GB6170-86	Hexagon nuts
41	S18165	10 GB93-87	Washers
42	C39020	AT300-05-003	Pulley box assembly
43	82-004		Switch
6A	S22110		Pin, taper M3x16
	S22050		Pin, straight M3x14
	S25113		Run Capacitor
	S25101		Start Capacitor

Tension Assembly



Tension Assembly

Diagram Number	Part Number	Reference Number	Description
1	S11953	M5x12 GB68-85	Slotted countersunk-head screw
2	S11953	M5x12 GB68-85	Slotted countersunk-head screw
3	S11673	M4x15 GB68-85	Slotted countersunk-Head screw
4	C30450	AT300-05-02	Dead plate
5	C30449	AT300-05-01	Sleeve
6	C30456	2x12x61.5 GB4142-84	Pullback spring
7	C30452	AT300-05-04	Revolution axis seat
8	S23140	12 GB 896-86	E-shaped snap ring
9	C30451	AT300-05-03	Revolution axis
10	C30050	6 GB 1155-79	Oil cup
11	C30050	6 GB 1155-79	Oil cup
12	S23205	15 GB 896-86	E-shaped snap ring
13	C30137	AT300-05-104	Middle pulley
14	S20260	203 GB276-89	Deep groove ball bearing
15	C30197	AT300-05-1120	Outer spring sleeve
16	C30197	AT300-05-103	Inner spring sleeve
17	S20260	60203 GB278-89	Dirt-guard deep-groove ball bearings

Diagram Number	Part Number	Reference Number	Description
18	S11603	M5x5 GB68-85	Slotted countersunk-Head screws
19	C30453	AT300-05-06	Pulley shaft
20	C30449	AT300+05-01	Sleeve
21	C30455	AT300-05-07	Plate
22	S11953	M5x12 GB68-85	Slotted countersunk-Head screw
23	S11953	M5x12 GB68-85	Slotted countersunk-Head screw
	C39016		Idler Pulley Tensioner (Assembly)