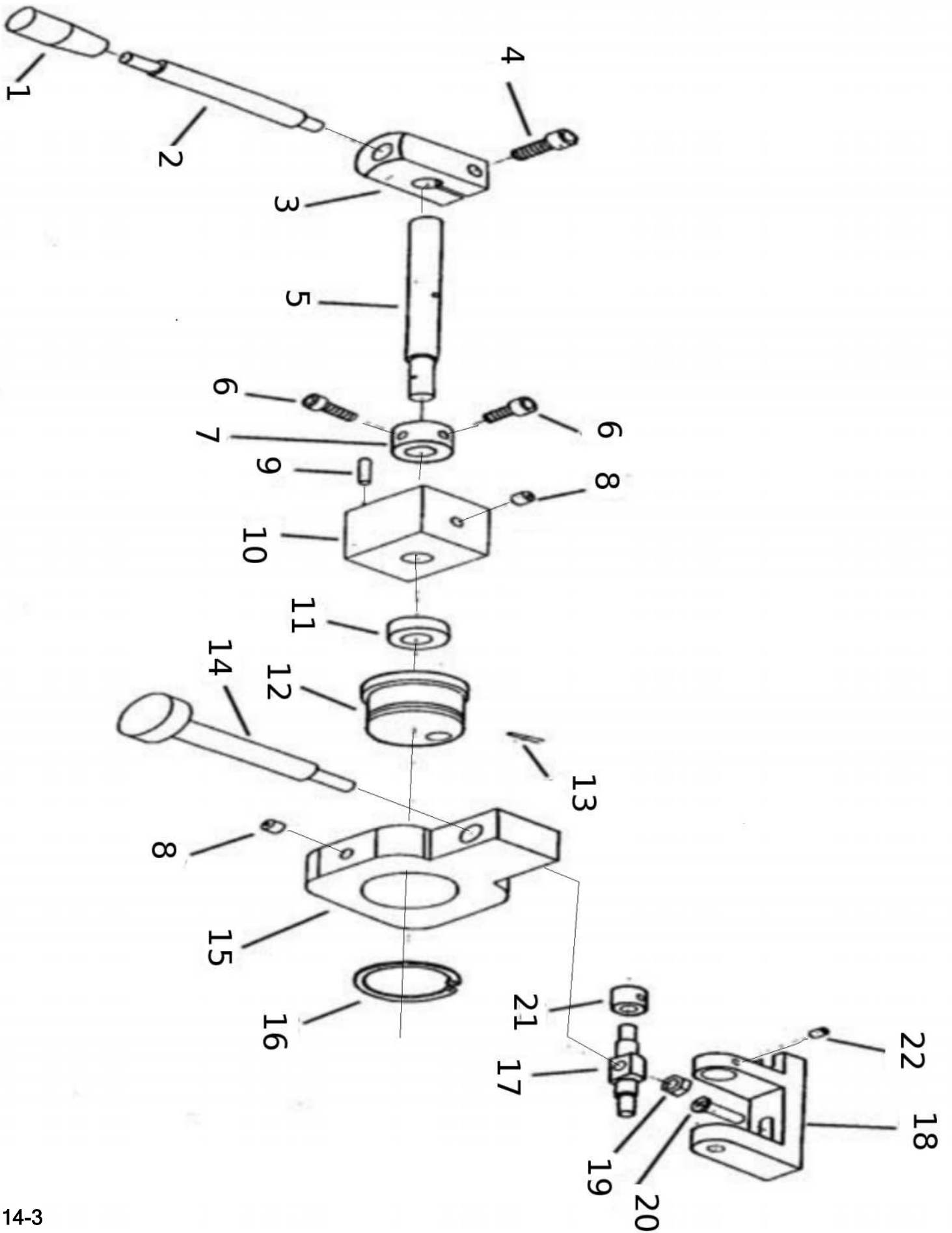
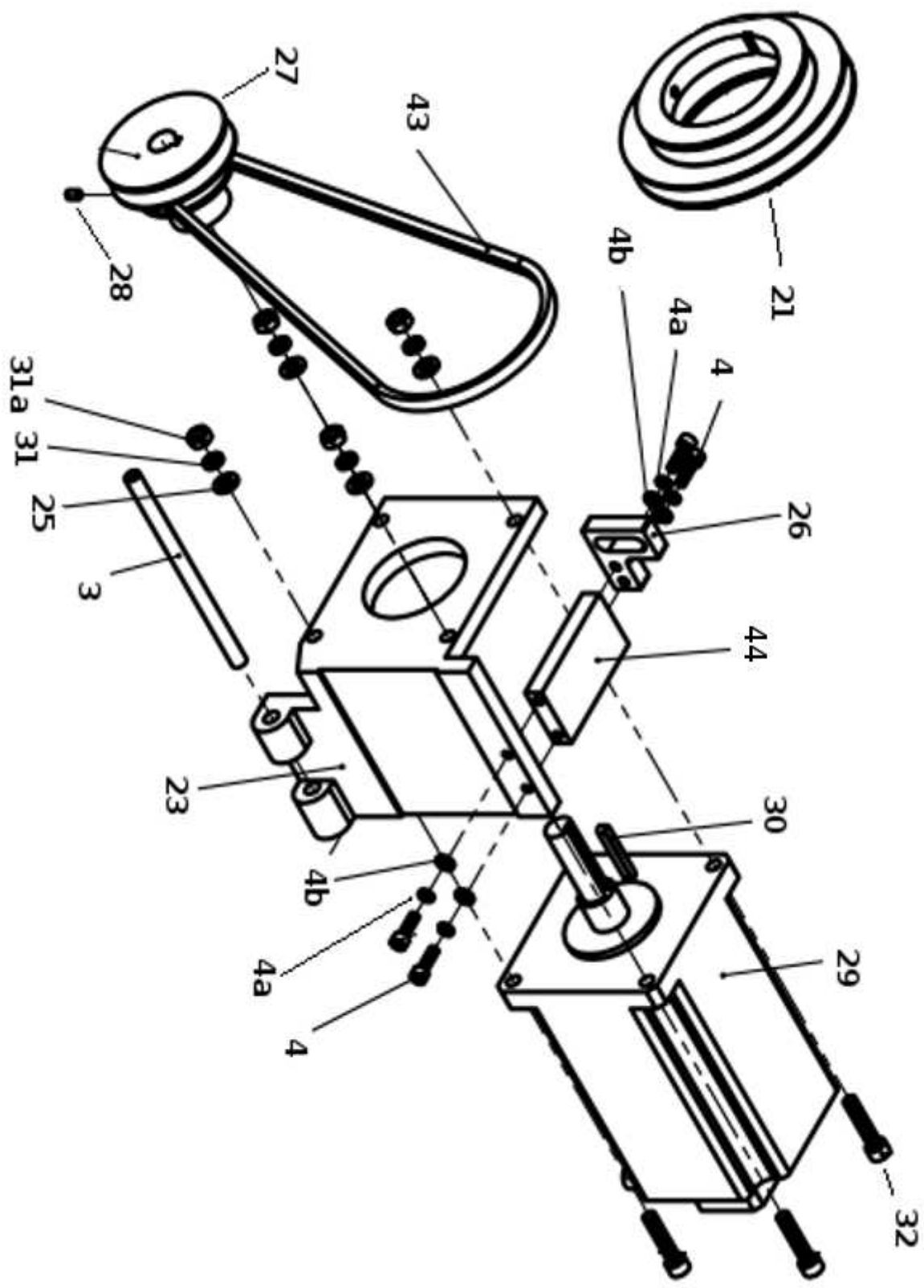


Item	Part No.	Description	Qty.
1	G01001	Bed for GN-1324	1
	G01001L	Bed for GN-1340	1
2	S11992	Screw, set cone point M6x20	1
3	G01003	Pin, motor mount	1
4	G01004	Knob, lifting	5
5	G01005	Pin, lifting II	1
6	S23120	Susp Ring, External M20	1
7	G01007	Rack for GN-1324	1
	G01007L	Rack for GN-1340 2 pieces in set	1
8	S11340	Screw, cap sock head M6x16	4
9	S22154	Pin, taper M4x25	2
10	G01010	Lead screw for GN-1324	1
	G01010L	Lead screw for GN-1340	1
11	G01011	Lifting Pin I	4
12	S22350	Rivet M2x5	6
13	G01013	Smooth name plate	1
14	G01014	Bearing, Angular contact, "002	2
15	S11942	Screw, set cone point M6x16	1
16	S11991	Screw, cap sock head M6x20	1
17	C30050	Oiler M6	1
18	G01018	Spacer	1
19	S18200	Washer, flat M12	1
20	G01020	Nut, spinner M12x1.25	1
21	G01021	Data plate	1
22	G01022	Lead screw support	1
23	G01023	Dial	1
24	G05068	Sleeve, dial	1
25	G05069	Spring, dial	1
26	G01026	Indicator	1
27	G01027	Handwheel	1
28	G01028	Handle 8x63	1
29	SS160	Bolt 5/16-18 x 1/2	1
30	S18140	Washer M8	1
31	S22325	Pin, taper M3x25	1
32	LX01040	Pin, taper M6x22	2



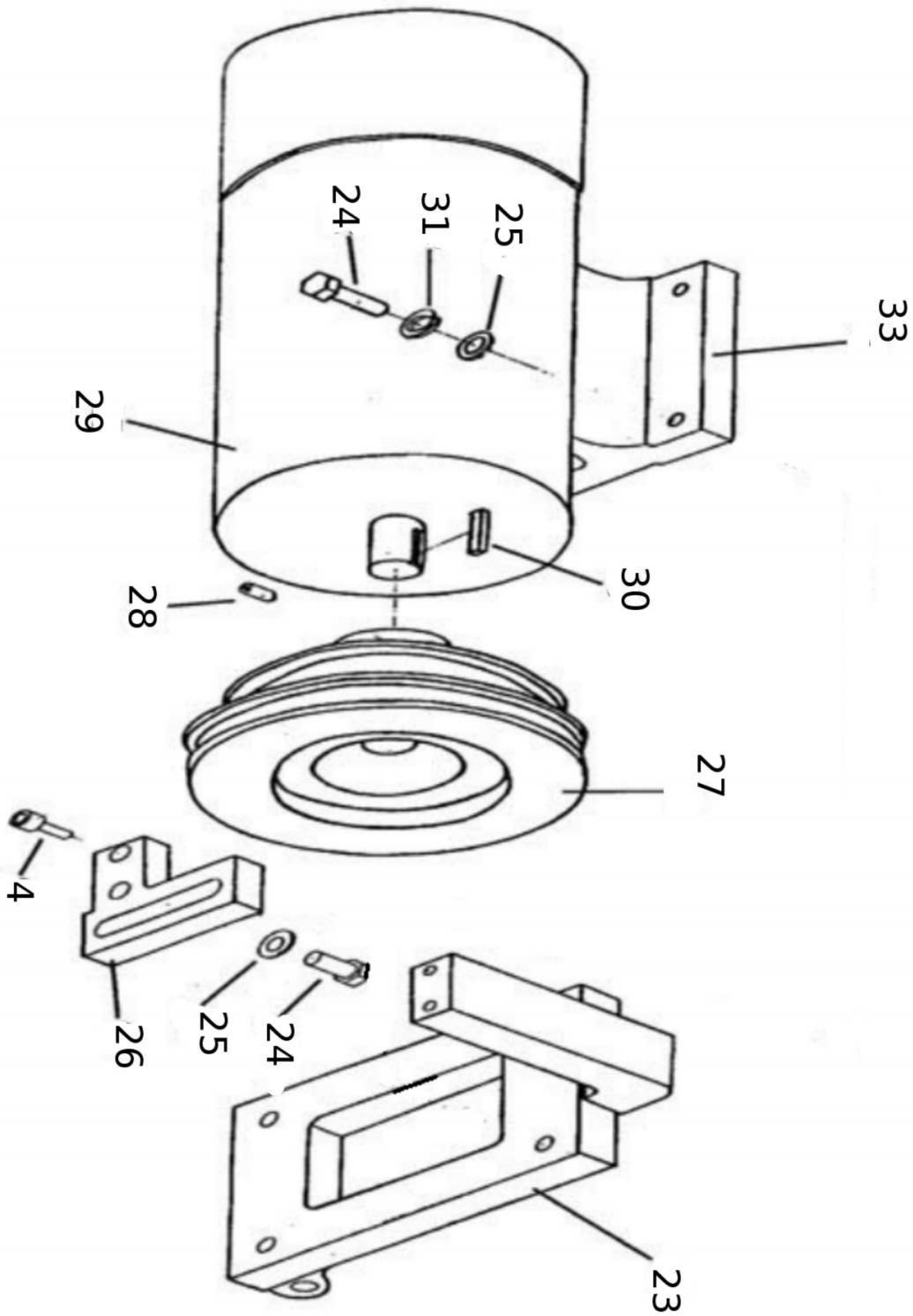
G024 BELT TENSIONER*ALL GRANITES*****

Item	Part Number	Description	Qty.		
1	G02001	Handle sleeve M8x40	1		
2	G02002	Handle M8x80	1		
3	G02003	Handle yest	1		
4	S11971	Screw, cap sock head M6x16	1		
5	G02005	Shaft, cone	1		
6	S11671	Screw, cap sock head M5x16	2		
7	G02007	Bushing (II)	1		
8	C30050	Oil cup M6	1		
9	S22221	Pin, spring M4x10	1		
10	G02010	Block, tensioner	1		
11	G02011	Bushing (I)	1		
12	G02012	Conc	1		
13	S22110	Pin, taper M3x16	1		
14	G02014	Knob, adjusting	1		
15	G02015	Conc yest	1		
16	S23040	Susp ring external	1		
17	G02017	Pin shaft	1		
18	G02018	Bracket, standoff	1		
19	S18331	Nut, hex M6	1		
20	S11991	Screw, cap sock head M6x20	2		
21	G02021	Bushing	1		
22	S11946	Screw, set cone point M4x6	2		



G02B MOTOR MOUNT GRANITE MX, IMX & XT SERIES

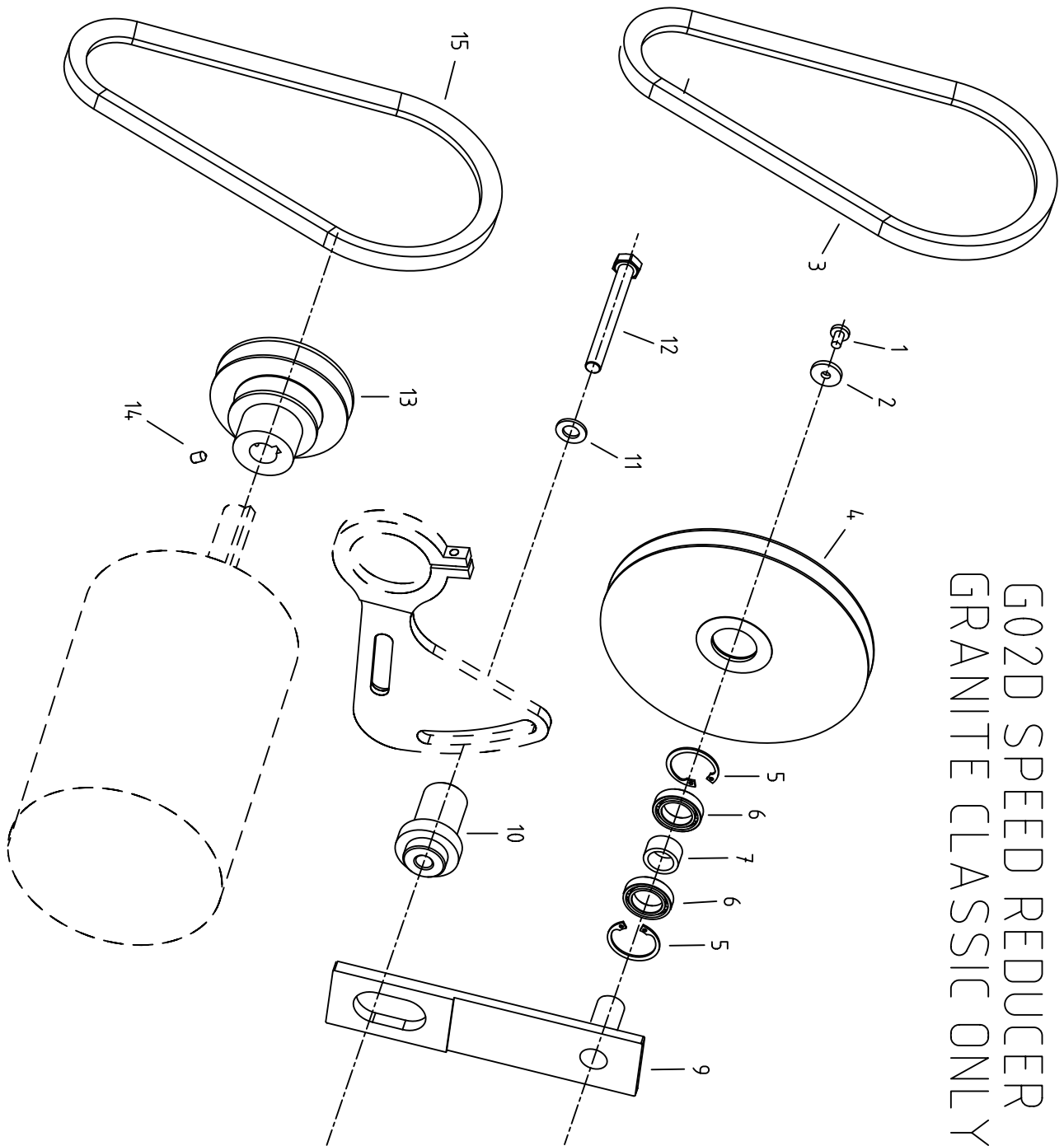
Item	Part Number	Description	Qty.		
3	G01003	Pin, motor mount	1		
4	S12011	Screw, cap sock head M6x25	4		
4a	S18105	Washer, lock M6	4		
4b	S18110	Washer, flat M6	4		
21	GMX03021	Pulley, spindle (without tachometer)	1		
	GXT03021	Pulley, spindle (with tachometer)	1		
23	GMX02023	Motor mount, brushless motor (square Motor)	1		
25	S18140	Washer, flat M8	4		
26	GMX02026	Bracket, motor mount end	1		
27	GMX02027	Pulley, brushless motor (square Motor)	1		
28	S11942	Screw, set cone point M6x10	1		
29	GMX02029-1	Motor, Brushless 110/220 (without tachometer)	1		
29	GXT02029-1	Motor, Brushless 110/220 (with tachometer)	1		
30	S21715	Key, parallel M6x45	1		
31	S18135	Washer, lock M8	4		
31a	S18125	Nut, hex M8	4		
32	S12331	Screw, cap sock head M8x35	4		
43	GMX03020	Belt A920	1		
44	GMX02044	Bracket, motor mount	1		



G02C MOTOR MOUNT GRANITE CLASSIC ONLY (ROUND MOTOR)

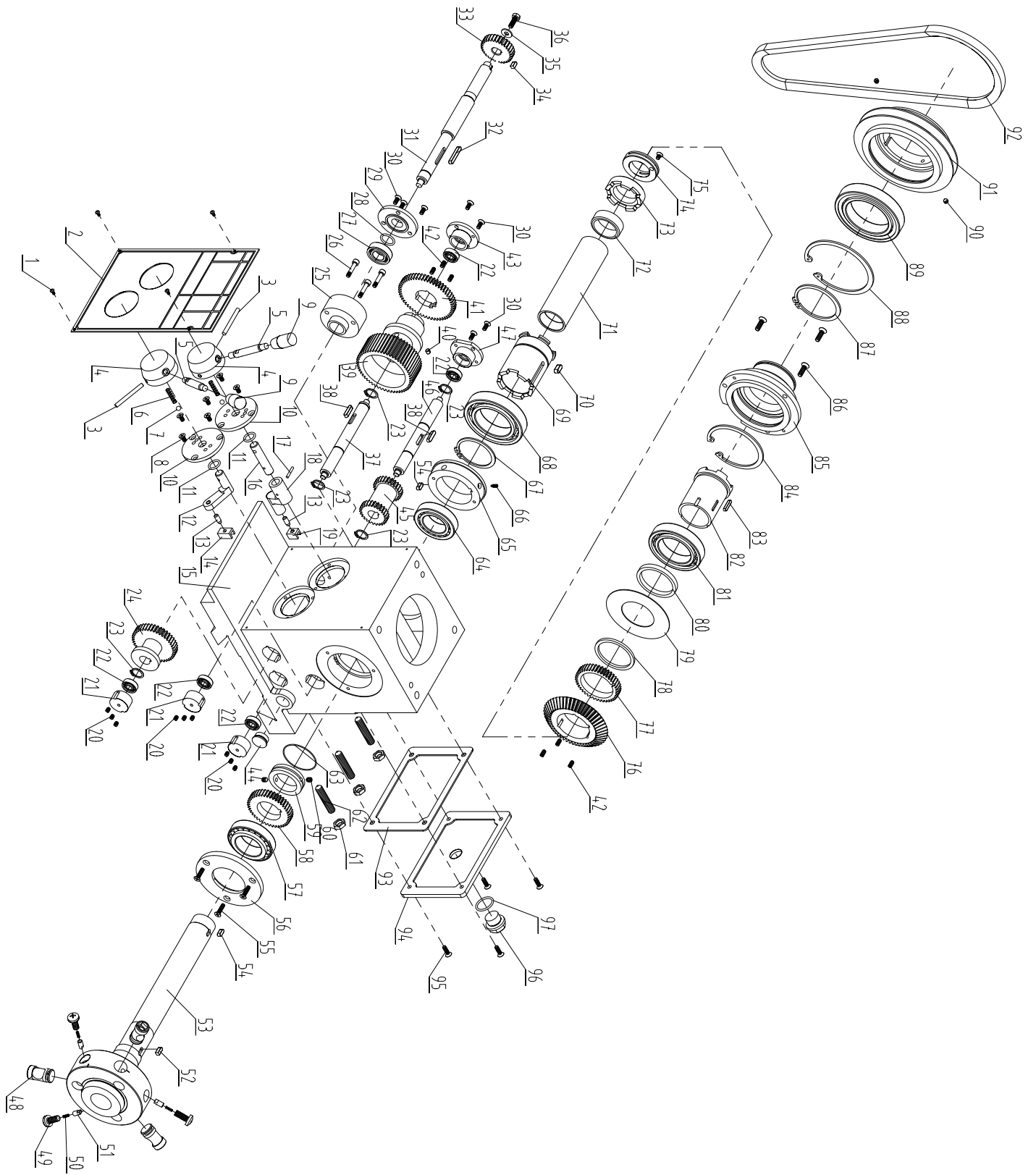
Item	Part Number	Description	Qty.		
4	S11971	Screw, cap soc head M6x16	2		
23	G02023	Motor mount	1		
24	S12290	Bolt, hex M8x20	5		
25	S18140	Washer, flat M8	5		
26	G02026	Bracket	1		
27	G02027A	Pulley, 3 step (round motor)	1		
28	S11942	screw, set cone point M6x10	1		
29	G02029-110	Motor, 110 volt (round motor)	1		
	G02029-220	Motor, 220 volt (round motor)	1		
30	G03030	Key, parallel 3/16 x 1 ½	1		
31	S18140	Washer, locking M8	4		

G02D SPEED REDUCER
 GRANITE CLASSIC ONLY



SPEED REDUCED GRANITE CLASSIC ONLY

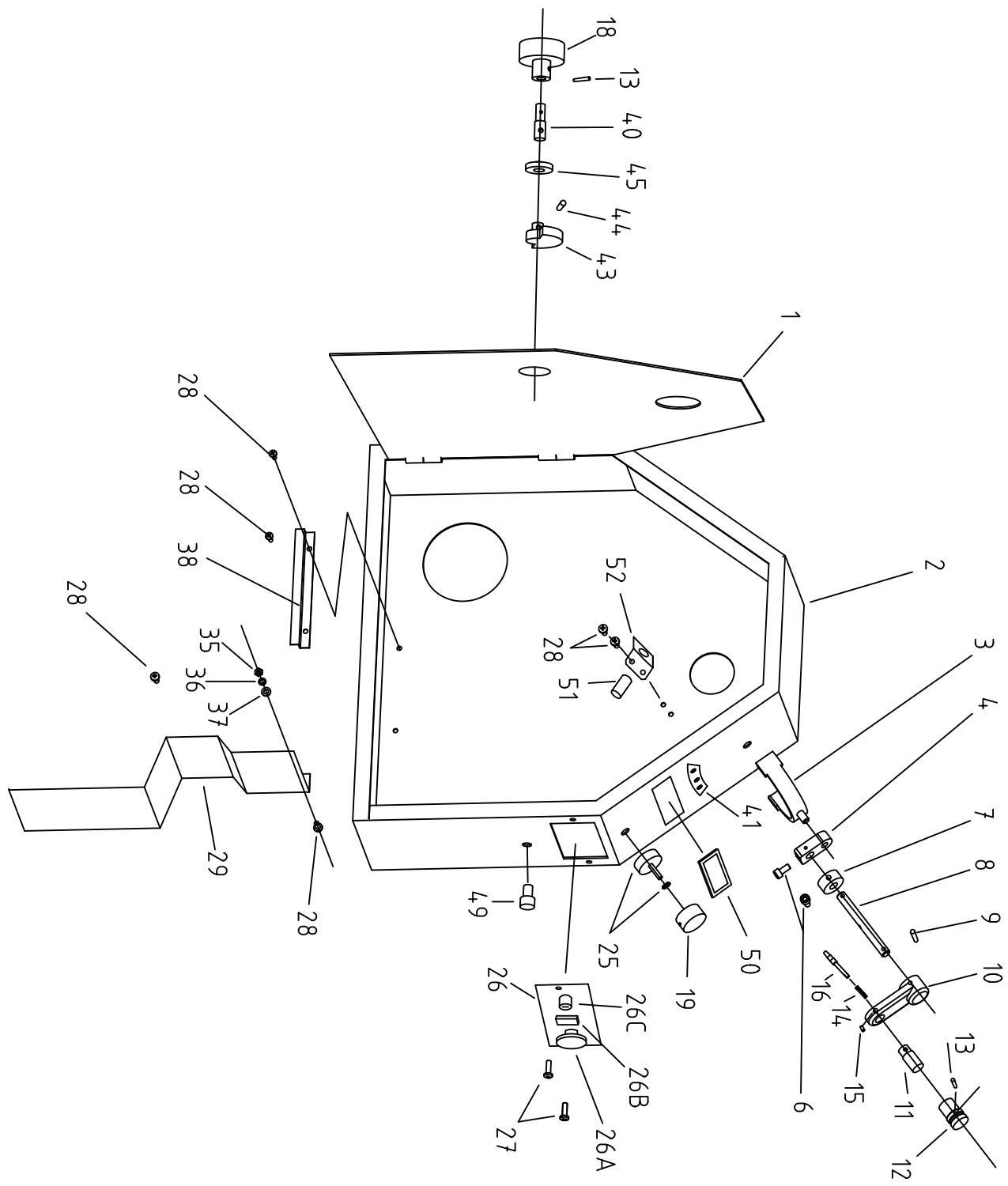
Diagram Number	Part Number	Description	Qty.
1	S11680	Screw, pan head M6x8	1
2	S18110	Washer, flat M6	1
3	G02034A	Belt 1/2" x 30"	1
4	G02035	Pulley, idler	1
5	S23275	Snap ring, internal M32	2
6	G02036	Bearing, ball 6804 20x32x7	2
7	G02037	Spacer	1
8	G02038	Shaft, pulley support	1
9	G02039	Arm, support	1
10	G02040	Support spacer	1
11	S18170	Washer, flat M10	1
12	S12109	Bolt, Hex head M10x90	1
13	G02027A	Pulley, 3 step	1
14	S11942	Screw, set cone point M6x10	1
15	G02043A	Belt, 1/2 x 27	1



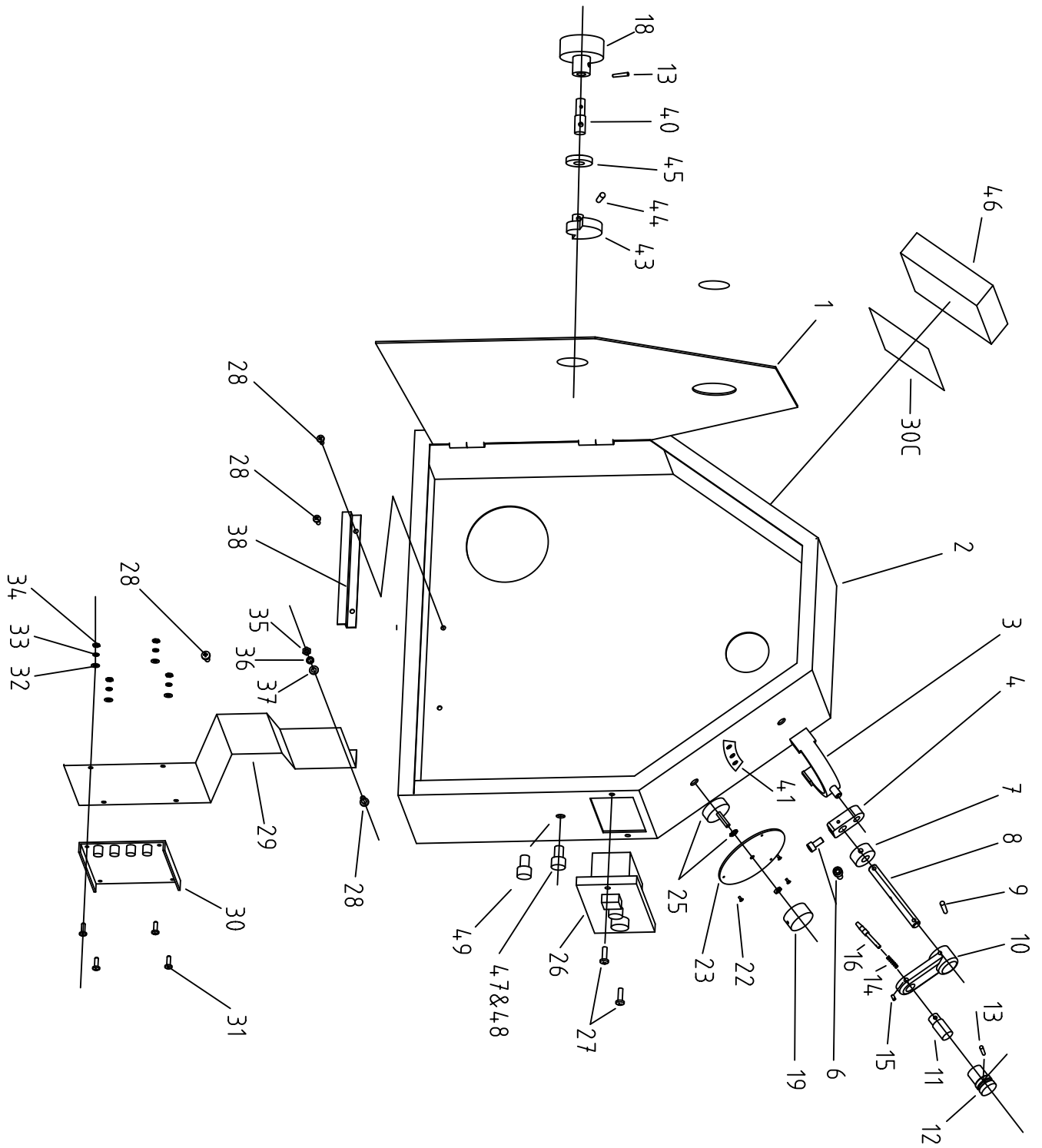
Item	Part Number	Description	Qty.
1	S23100	Snap ring, Internal M100	1
2	G03002	Screw, flat head M6x20	3
3	G03003	Pulley cast	1
4	G03004	Sleeve	1
5	G03005	Right coupler	1
6	S21170	Key, parallel M4x20	1
7	G03007	Bearing, ball 50x80x16 6010RS	1
8	S11058	Screw, flat head M5x8	1
9	G03009	Locking nut M34x1.5	1
10B	G03010B	Left coupler (2000 to present)	1
	G03010	Left coupler (pre 2000)	1
11	G03011	Snap ring, internal M80	1
12B	G03012B	Center coupler (2000 to present) * see note 1	1
13	G03013	Spacer	1
14	G03014	Oil collar	1
15	G03015	Screw, cheese head M4x10	1
16	S21110	Key, parallel M5x12	1
17	G03017	Sleeve, coupler	1
18	S21530	Key, parallel M6x14	1
19	G03019	Spacer	1
20	GMX03020	Belt A-920 (ALL except Granite Classic)	1
	G03020A	Belt 1/2 x 41 (Granite Classic ONLY)	1
21	GX0T3020	Pulley (with tachometer)	1
	GMX03021	Pulley (without tachometer)	1
22	S11932	Screw, set cone point M6x6	1
23	G03023	Gear (II)	1
24	S23410	Snap ring, external M65	1
25	G03025	Gear, bevel	1
26	G03026	Bearing, ball 65x100x18 6013	1
27	S11648	Screw, set flat point M5x10	6
28	G03028-I	Bearing, Angular contact 35x62x18 32007	1
29	G03029	Headstock casting	1
30	G03030	Gasket	1

31	G03031	O-ring 25x2.4 #210	1
32	G03032	Oil plug	1
33	G03033	Cover	1
34	S11663	Screw, flat head M5x14	7
35	S18155	Nut, hex M10	3
36	S12105	Screw, set flat point M10x50	3
37	G03037	Lock wire .030" "not sold by smithy"	1
38	G03038	Spacer	1
39	G03039	Gibb	1
40	G03040	Gear(I)	1
41	G03041-I	Bearing, Angular contact 40x68x19 32008	1
42	G03042	Cover, bearing	1
43	S21260	Key, parallel M5x20	2
44	G03044	Cam, chuck lock	3
45	G03045	Spindle, lathe	1
46	G03046	Chuck, 3 jaw	1
47	G03047	Stopper	3
48	G03048	Spring	3
49	S11820	Screw, pan head M8x20	3
50	S11613	Screw, set flat point M5x6	9
51	G03051	Cap, bearing	3
52	G03052	Bearing, ball 8x22x7 608	5
53	G03053	Shaf. #1	1
54	S23210	Snap ring, external M16	5
55	G03055	Gear	1
56	G03056	Shaf. #3	1
57	G03057	Key, parallel M5x6	2
58	G03058	Shaf. #2	1
59	G03059	Oil site gauge	1
60	G03060	Gear, duplex	1
61	G03061	Gear, sliding	1
62	G03062	Shaf. fork	2
62A	G03062L	Fork, power feed selector	1
62B	G03062M	Fork, power feed direction	1
63	C30054	Knob, handle M8x40	2

63	C30054	Knob, handle M8x40	2
64	S22032	Pin, tapper M3x20	1
65	G03065	Arm	1
66	S21315	Key, parallel M5x32	1
67	G10055	Shaft, handle M8x50	2
68	S11105	Screw, flat head M5x10	6
69	C30126	Ball, 6.5	2
70	G09054	Spring	2
71	S24200	O-ring M15x2.4 206	2
72	G10053	Handle seat	2
73	S22185	Pin, taper M5x50	2
74	G03074	Flange	2
75	G03075	Shaft (II)	1
76	G03076	Crank (II)	1
77	G03077	Flange, bearing	2
78	S11653	Screw, flat head M5x12	9
79	G03079	Bearing seat	1
80	G03080	Screw, cap sock head M5x25	3
81	G03081	Bearing, ball M71x35x10 6003	1
82	G03082	Flange, bearing	1
83	S24300	O-ring M22x2.4 208	1
84	G03083	Gear "A" 30 tooth	1
	G10116	Gear "A" 33 tooth	1
	G10119	Gear "A" 66 tooth	1
85	S18110	Washer, flat M6	1
86	S11941	Screw, cap sock head M6x10	1
87	G03087	Gear	1
88	S23055	Snap ring, external M55 * see note 1	1
89	G03089	Spacer *see note 1	1
90	G03090	Bearing fork *see note 1	1
91	G03091	Bearing, ball 55x90x18 6011 * see note 1	1
92	G03092	Plate, thread/feed rate	1
93	S11036	Screw, pan head M3x6	4
94	S11951	Screw, cap sock head M6x12	3
95	G03095	Stud, chuck mount	3
* Note 1	Some very early machines (pre. 2000) did not have a bearing #91 or a bearing fork #90. They used a brass finger part number G04003. This part is available as of 8/1/2018 but may be discontinued in the future.		

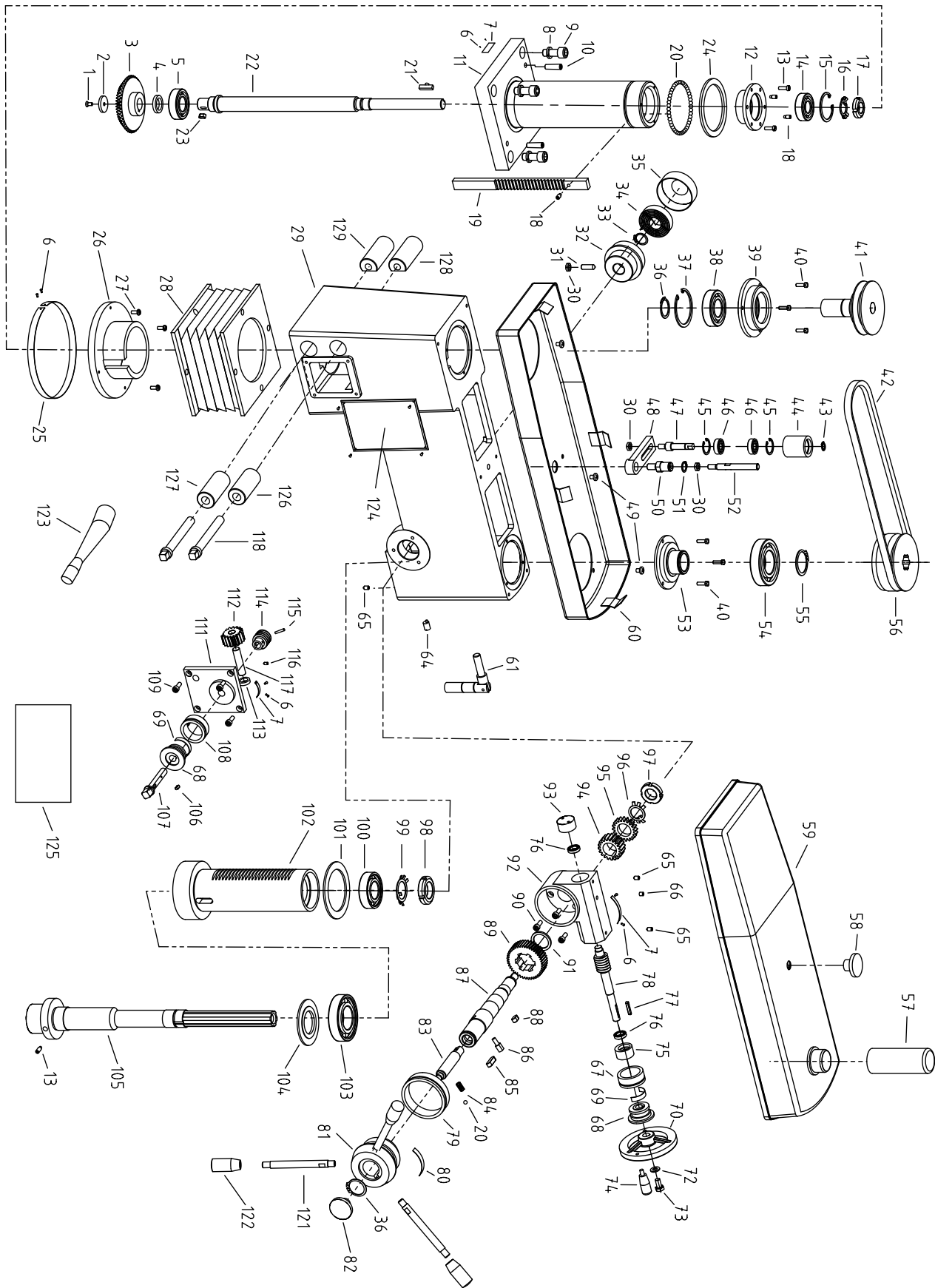


Item	Part Number	Description	Qty.
1&2	GTX94001N	Pulley box with door	1
3	G03090	Fork, shifter bearing	1
4	G04004	Lever arm	1
5	not used		
6	S11951	Screw cap sock head m6x12	2
7	G04007	Spacer	1
8	G04008	Shaft	1
9	S22091	Pin, taper m4x26	1
10	G04010	Arm	1
11	G04011	Pin sleeve	1
12	G04012	Knob	1
13	S22032	Pin, taper m3x20	2
14	G04014	Spring	1
15	S11912	Screw, set cone point m6x8	1
16	G04016	Pin, locating	1
17	not used		
18	G04018N	Knob, door	1
19	G04019	Knob, speed control	1
20-24	not used		
25	GMX04048	Potentiometer (Granite MX,IMX,XT)	1
26	GXT04026	Plate, switch mounting	1
26A	GXT04026A	E-Stop switch	1
26B	GXT04026B	Forward/ Reverse switch	1
26C	GXT04026C	ON/Off switch with key	1
26D	GXT04026D	key only	1
27	S11675	Screw, round head m6x16	2
28	S12512	Screw, round head m6x12	7
29	G04028	Divider, electrical	1
30-34	not used		
35	S18065	Nut, hex m5	1
36	S18075	Washer, locking m5	1
37	S18005	Washer, flat m5	1
38	G04038	Wire cover	1
39	not used		
40	G04040N	Shaft	1
41	G04041	Plate, mill/lathe	1
42	not used		
43	G04043	Locking piece	1
44	S22170	Pin, taper m5x25	1
45	G04045	Bushing, door	1
46-48	not used		
49	GMX02049	Reset Button (Granite MX & IMX only)	1
50	GTX04050	Tachometer display	1
51	GTX04051	Tachometer pickup	1
52	GTX04052	Bracket, tachometer pickup	1



Item	Part Number	Description	Qty.
1&2	G94001N	Pulley box with door Since May 2003 (Granite classic only) (see note 1 below)	1
	GMX94001	Pulley box with door (Granite MX & IMX only)	1
3	G04003	Slide, old style before May 2003 (Small brass shifting link)	1
	G03090	Fork, bearing after May 2003 (large brk to go over shifter bearing)	1
4	G04004	Lever arm	1
5	S23321 not shown	8mm snap ring for G04003 only	1
6	S11951	Screw cap sock head m6x12	2
7	G04007	Spacer	1
8	G04008	Shaft	1
9	S22091	Pin, taper m4x26	1
10	G04010	Arm	1
11	G04011	Pin sleeve	1
12	G04012	Knob	1
13	S22032	Pin, taper m3x20	2
14	G04014	Spring	1
15	S11912	Screw, set cone point m6x8	1
16	G04016	Pin, locating	1
17	not used		
18	G04018N	Knob, door	1
19	G04019	Knob, speed control	1
20&21	not used		
22	S22350	Rivet m2x5	5
23	G04023	Speed dial (Granite Classic Only)	1
	GMX02023	Speed dial (Granite MX & IMX)	1
24	not used		
25	G04025	Potentiometer 5K (for Granite Classic SS770 and SS770C control boards only)	1
	GMX02048	Potentiometer (Granite MX & IMX)	1
26	82-004-110	Switch 110 volt	1
	82-004-220	Switch 220 volt	1
27	S11675	Screw, round head m5x16	2
28	S12512	Screw, round head m5x12	5

29	G04028	Divider, electrical	1
30	SS770	Driver, motor (Granite Classic only, inside mount)	1
30C	SS770C	Driver, motor (Granite Classic external mount & MX & IMX)	1
31	S11355	Screw, pan head m4x12 (Granite Classic only)	1
32	S18004	Washer, flat m4 (Granite Classic only)	4
33	S18003	Washer, locking m4 (Granite Classic only)	4
34	S18030	Nut, hex m4 (Granite Classic only)	4
35	S18065	Nut, hex m5	1
36	S18075	Washer, locking m5	1
37	S18005	Washer, flat m5	1
38	G04038	Wire cover	1
39	not used		
40	G04040N	Shaft	1
41	G04041	Plate, mill/lathe	1
42	not used		
43	G04043	Locking piece	1
44	S22170	Pin, taper m5x25	1
45	G04045	Bushing, door	1
46	G04046	Cover (for external drive mount)	1
47	G04047	Fuse (late model Granite Classic only)	1
48	G04048	Fuse holder (late model Granite Classic only)	1
49	GMX02049	Reset Button (Granite MX & IMX only)	1



Item	Part Number	Description	Qty.
1	S11653	Screw, flat head M5x10	1
2	S18005	Washer, special	1
3	G05003N	Gear, bevel	1
4	G05004	Spacer	1
5	G05005	Bearing, Ball 25x52x15 6205	1
6	S22350	Rivet M2x5	15
7	G05007	Indicator	3
8	S18195	Washer, lock M12	4
9	S11230	Screw, cap sock head M12x30	4
10	S22830	Pin, taper M8x30	2
11	G05011	Column, mill	1
12	G05012	Flange, bearing	1
13	S11973	Screw, set dog point M6x12	3
14	G05014	Bearing, ball 20x47x14 6204	1
15	S23047	Snap ring, internal M47	1
16	S18002	Washer, locking tab M20	1
17	G05017	Nut, spanner M20-1.5	1
18	S11516	Screw, Fillister head M5x16	2
19	G05019	Rack	1
20	G05020	Ball M6	47
21	G05021	Key, T	1
22	G05022	Mill shaft	1
23	S21500	Key, parallel M6x12	1
24	G05024	Spacer, bearing race	1
25	G05025	Scale, angle	1
26	G05026	Cover lower mount	1
27	S13512	Screw, pan head M5x12	8
28	G05028	Cover, column	1
29	GMX05029	Mill head, extended (All except Classic)	1
	G05029	Mill head, short (Classic only)	1
30	S18125	Nut, plain M8	3
31	G05031	Screw, set cone point M8x25	1
32	G05032	Housing, spring	1
33	S23120	Snap ring, external M20	1

34	G05034	Spring, quill return	1
35	G05035	Cover, spring	1
36	S23030	Snap ring, external M30	2
37	S23062	Snap ring, internal M62	1
38	G05038	Bearing, ball 30x62x16 6206	1
39	G05039	Bearing seat #1	1
40	S11670	Bolt, hex head M5x16	6
41	G05041	Pulley	1
42	GMX05027	Bolt, A-1092 long head (All except Classic)	1
	G05042	Bolt, A-920 short head (Classic only)	1
43	G05043	Snap ring external M10	1
44	G05044	Sleeve	1
45	S23026	Snap ring, internal M26	2
46	G05046	Bearing, ball 10x26x8 6100	2
47	G05047	Shaft	1
48	G05048	Arm tensioner	1
49	S25413	Screw, pan head M6x8	6
50	G05050	Shaft, support	1
51	S23170	Snap ring, external M14	1
52	G05052	Shaft, cover lock	1
53	G05053	Seat, bearing #2	1
54	G05054	Bearing, ball 40x80x18 6208	1
55	S23040	Snap ring, external M40	1
56	G05056	Pulley, spindle	1
57	G05057	Mill cap	1
58	C30030	Knob, mill cover	1
59	GMX05059	Upper cover, mill head, long (All exc. Classic)	1
	G05059	Upper cover, mill head, short (Classic only)	1
60	GMX05060	Lower cover, mill head, long (All exc. Classic)	1
	G05060	Lower cover, mill head, short (Classic only)	1
61	G95061	Locking bolt assembly	1
62	not used		
63	not used		
64	G05064	Eccentric axis	1

65	S11942	Screw, set conc point M6x10	3
66	C30050	Oiler M6	1
67	G05067	Dial, outer ring	1
68	G05068	Dial sleeve	2
69	C30173	Spring, dial	2
70	G05070	Handwheel 12x100	1
71	not used		
72	S18140	Washer M8	1
73	SS114	Bolt 5/16-18 x 1/2"	1
74	G05074	Handle M6x50	1
75	G05075	Bushing #2	1
76	G05076	Bearing, ball 12x21x5 8601	2
77	S21425	Key, parallel M4x25	1
78	G05078	Worm gear shaft	1
79	G05079	Dial, outer	1
80	G05080	Spring, dial	1
81	G05081	Handle scat	1
82	G05082	Knob	1
83	G05083	Shaft, locking	1
84	G05084	Spring	1
85	S21805	Key, parallel M8x25	1
86	G05086	Locking pin	1
87	G05087	Feed shaft	1
88	S21770	Key, parallel m8x14	1
98	G05089	Gear, worm	1
90	S11971	Screw, cap sock head M6x16	7
91	G05091	Washer	1
92	G05092	Worm gear box	1
93	G05093	Bushing #1	1
94	G05094	Gear	1
95	G05095	Gear	1
96	G05096	Washer, locking tab M22	1
97	G05097	Nut, spanner M22x1.5	1
98	G05098	Nut, spanner M30x1.5	1

99	G05099	Washer, locking tab M30	1
100	G05100	Bearing, angular contact 7206	1
101	G05101	Washer, rubber	1
102	G05102	Quill housing	1
103	G05103	Bearing, angular contact 7208	1
104	G05104	Cover	1
105	G05105	Spindle, mill	1
106	S21115	Key, parallel M4x10	1
107	G05107	Shaft	1
108	G05108	Dial	1
109	not used	*	*
110	not used	*	*
111	GMX05111	Mounting plate (all exc. Classic -long head)	1
	G05111	Mounting plate (Classic only -short head)	
112	G05112	Gear	1
113	G05113	Spacer	1
114	G05114	Worm gear	1
115	S22032	Pin, taper M3x20	1
116	S11332	Screw, set cone point M4x8	1
117	G05117	Shaft	1
118	G05118	Locking bolt	2
119	not used	*	*
120	not used	*	*
121	G05121	Handle M10x100	3
122	G05122	Sleeve M10x50	3
123	G05123	Crank handle	1
124	Call Smithy	Placard, machine ID font	1
125	G05125	Placard, Machine lube	1
126	GMX05123	Locking sleeve, front top (All exc. Classic)	1
127	GMX05124	Locking sleeve, front lower (All exc. Classic)	1
128	GMX05125	Locking sleeve, rear top (All exc. Classic)	1
129	GMX05126	Locking sleeve, rear lower (All exc. Classic)	1

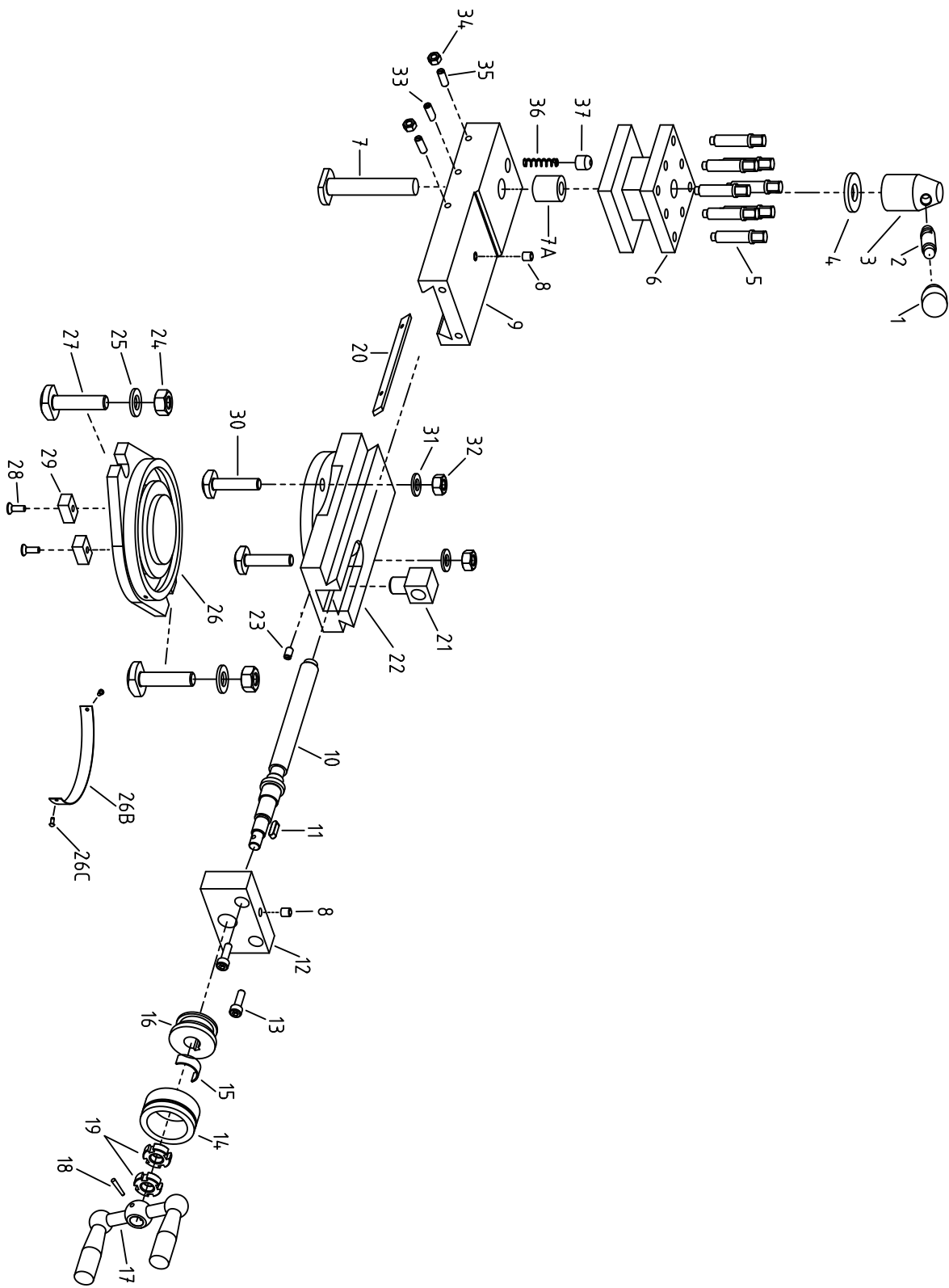


Diagram Number	Part Number	Description	Qty.	Factory # from drawing	X.#	Factory # from our system	Status
1	G06001	Handle sleeve M8x40	1	JB/T 2 1.5-94 BM8x40	39		in stock
2	G06002	Handle M8x50	1	JB/T 2 1.6-94 BM8x50	38		in stock
3	G06003	Handle seat and 2x26	1	JB/T 2 1.2-94 BM12x26	37		in stock
4	C30556	Washer M10	1	GB/T9 2 M10	36		in stock
5	G06005	Bolt, square head M8x32	8	GB 83-88 M8x32	35		in stock
6	G06006	Turret, tool post	1	G1324.4-06	34	G1324.4-01	in stock
7	G06007N	Bolt, turret	1	G1324.4-05	33	none	in stock
7A	G06007N-2	Sleeve	1	??	xx	none	do not have yet
8	C30050	Oiler, M6	2	GB 1155 4 M6	21		in stock
9	G06009N	Slide, upper	1	G1324.4-10	13	G1324.4-04B	in stock
10	G06010	Screw, flat	1	G1324.4-11	19	G1324.4-06	in stock
11	S21110	Key, parallel M4x14	1	GB 1096 9 M4x14	20		in stock
12	G06012	Mounting piece	1	G1324.4-18	22	G1324.4-07	in stock
13	S12516	Screw, conk socket head M5x16	2	GB 70-85 M5x16	23		in stock
14	G06014	Dial sleeve	1	G1324.4-16	26	G1324.4-08	in stock
15	G06015	Spring piece	1	G1324.4-13	25	G1324.4-11	in stock
16	G06016	Dial seat	1	G1324.4-15	24	G1324.4-12	in stock
17	G06017	Crank handle	1	JB/T 2 0.10-94 M8x25	28		in stock
18	S22110	Pin, taper M3x16	1	GB 119-85 M3x16	29		in stock
19	C30220	Nut, spinner M10	2	GB 810-88 M10	27		in stock
20	G06020	Gibb, tool post	1	G1324.4-17	12	G1324.4-09	in stock
21	G06021	Nut, flat cross flat	1	G1324.4-12	30	G1324.4-05	in stock
22	G06022	Slide, lower	1	G1324.4-02	17	G1324.4-13	in stock
23	S11642	Screw, set cone point M5x10	1	GB 71-85 M5x10	23		in stock
24	S18155	Nut, hex M10	2	GB 6170-86 M10	8		in stock
25	S18170	Washer, flat	2	GB 97-85 M10	7		in stock
26	G06026	Plate, mounting	1	G1324.4-02	3	G1324.4-14	in stock
26B	C30407	Seal	1	G1324.4-01	4		in stock
26C	S22355	Rivet and 2.5x5	2	GB 827-86 2.5 x 5	5		in stock
27	S12626	T-bolt M10x30	2	GB 37-88 M10x30	6		in stock
28	S11412	Screw, flat head M4x14	2	GB 819-85 M4x14	1		in stock
29	G06029	Locting block	2	G1324.4-03	2	G1324.4-10	in stock
30	S12296	T-bolt M8x20	2	GB 37-88 M8x20	16		in stock
31	S18140	Washer, flat M8	2	GB 97.1-85 M8	15		in stock
32	S18125	Nut, hex M8	2	GB 6170-86 M8	14		in stock
33	S12516	Screw, conk socket head M5x16	1	GB 70 M5x16	11		in stock
34	S18065	Nut, hex M5	2	GB 6170-86 M5	10		in stock
35	S11672	Screw, set cone point M5x16	2	GB 71-85 M5x16	9		in stock
36	C30183	Spring	1	JB 362-65	31		in stock
37	G06037	Stopper		G1324.4-04	32	G1324.4-17	in stock
38							

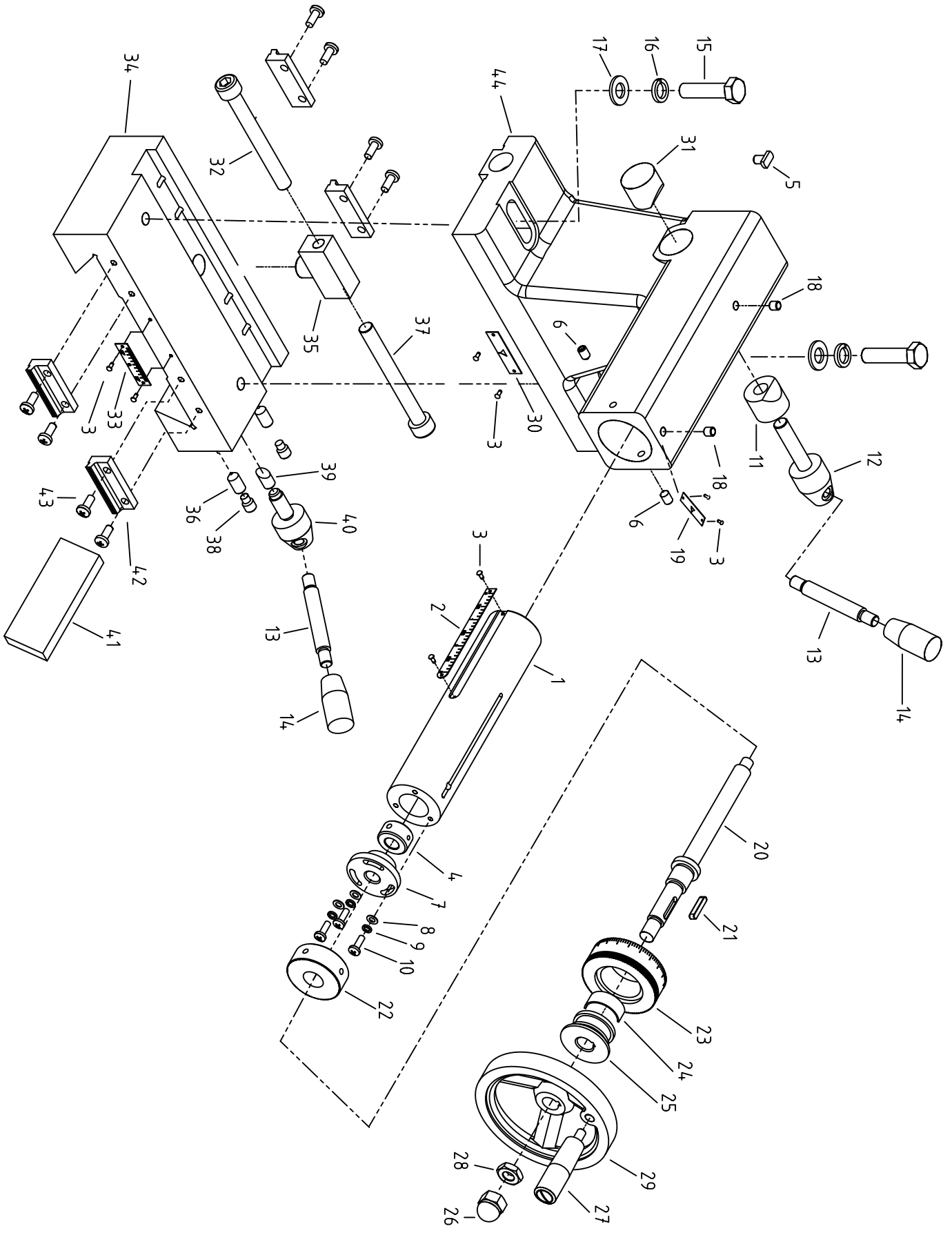
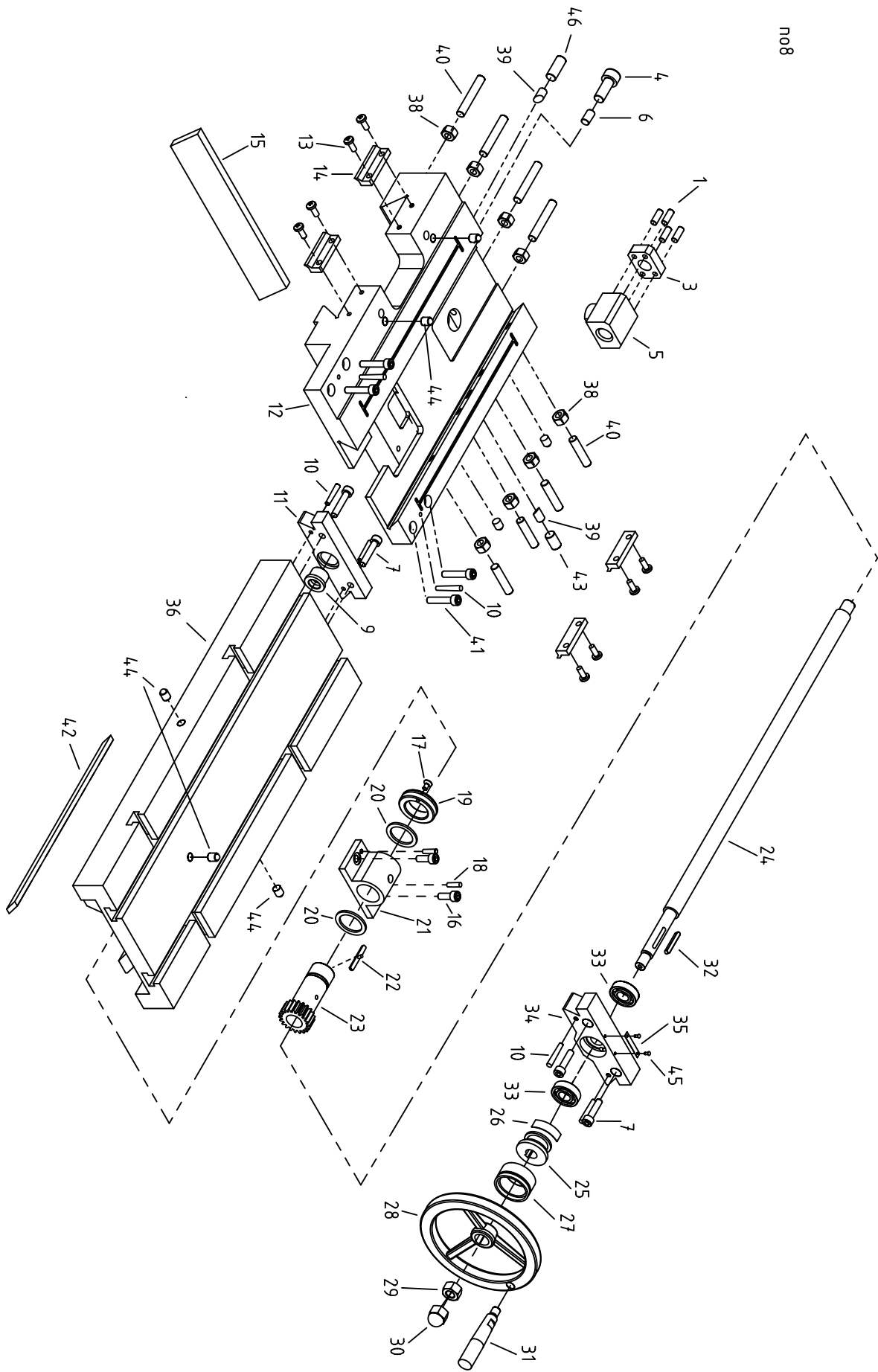


Diagram Number	Part Number	Description	Qty.
1	G0"001	Barrel (short)	1
	G0"001L	Barrel (long)	1
2	G0"002	Seale (short)	1
	G0"002L	Seale (long)	1
3	G0"003	Rivet M2x5 (S22350)	8
4	G0"004	Nut, fixed	1
5	G0"005	Key, "T"	1
6	S11942	Screw, set cone point M6x10	2
7	G0"007	Nut, adjusting	1
8	S18004	Washer, plain M4	3
9	S18045	Washer, locking M4	3
10	S11355	Screw, pan head M4x12	3
11	G0"011	Locking piece	1
12	G0"012	Locking shaft	1
13	G06002	Handle M8x50	2
14	G06001	Handle sleeve M8x40	2
15	S12640	Bolt, hex head M10x40	2
16	S18165	Washer, locking M10	2
17	S18170	Washer, plain M10	2
18	C30050	Oiler M6	2
19	G05007	Indicator	1
20	G0"020	Feed screw (short)	1
	G0"020L	Feed screw (long)	1
21	S21170	Key, parallel	1
22	G0"022	Bushing	1
23	G0"023	Dial, tailstock	1
24	G0"024	Spring piece	1
25	G0"025	Seat, dial	1
26	S18160	Nut, acorn M10	1
27	G05074	Handle, M6x50	1
28	S18162	Nut, jam M10	1
29	G0"029	Handwheel M12x100	1
30	G0"030	Indicator	1
31	G0"031	Locking piece (II)	1
32	S12128	Screw, cap sock head M10x20	1
33	G0"033	Seale	1
34	G0"034	Carriage, tailstock	1
35	G0"035	Nut, adjusting	1
36	S12278	Screw, set dog point M8x16	2
37	G0"037	Screw, cap sock head M10x20	1
38	S12268	Screw, set dog point M8x14	2
39	S22420	Pin, locking	1
40	G0"040	Locking handle seat	1
41	G0"041	Gibb, tailstock	1
42	G08013	Wiper	4
43	S12512	Screw, pan M5x12	8
44	G0"044L	Casting, tailstock long see note #1	1
45	S12898	Arbor plug M12x20	1
46	G99700	Tailstock, complete (long)	1



no8

Item No.	Part No.	Description	Qty.
1	S11978	Screw, set dog point M6x16	4
2	not used	*	*
3	G08003	Nut, adjusting	1
4	S12845	Screw, cap sock head M8x40	1
5	G08005	Screw, crossfeed	1
6	G08006	Locking piece	1
7	S12011	Screw, cap sock head M6x25	4
8	not used	*	*
9	G08009	Bushing (I)	1
10	S22156	Pin, taper M4x28	8
11	G08011	Screw bracket, rear (I)	1
12	G08012	Carriage	1
13	G08013	Wiper	4
14	S12512	Screw, pan head M5x12	8
15	G08015	Gib	1
16	S11971	Screw, cap sock head M6x16	2
17	S11048	Screw, flat head M4x8	1
18	S22041	Pin, taper M4x16	2
19	G08019	Nut, locking M24x1.5	1
20	G08020	Bushing	2
21	G08021	Bushing seat	1
22	G08022-1	key, shcor	1
23	G08023-1	Gear sleeve	1
24	G08024	Screw, crossfeed	1
25	G08025	Seat, dial	1
26	C30173	Spring piece	1
27	G08027	Dial, crossfeed	1
28	G08028	Handwheel, crossfeed	1
29	S18162	Nut, JamM10	1
30	S18160	Nut, acorn M10	1
31	G08031	Handle, handwheel	1
32	S21178	Key, parallel M4x28	1
33	G08033	Bearing, Angular contact 7001 12x28x8	2
34	G08034	Screw bracket, front (II)	1
35	G08035	Indicator	1
36	G08036	Table	1
37	S11825	Screw, set dog point M5x25	4
38	S18125	Nut, hex	8
39	G08039	Pin, locking	2
40	S11805	Screw, set dog point M5x50	4
41	S12021	Screw, cap sock head M6x30	4
42	G08042	Gib, crossfeed	1
43	S11101	Screw, set flat point M10x10	1
44	C30035	Oil cup M8	5
45	S22350	Rivet M2x5	2
46, 47	not used	*	*
48	G08048	Carriage lock	1