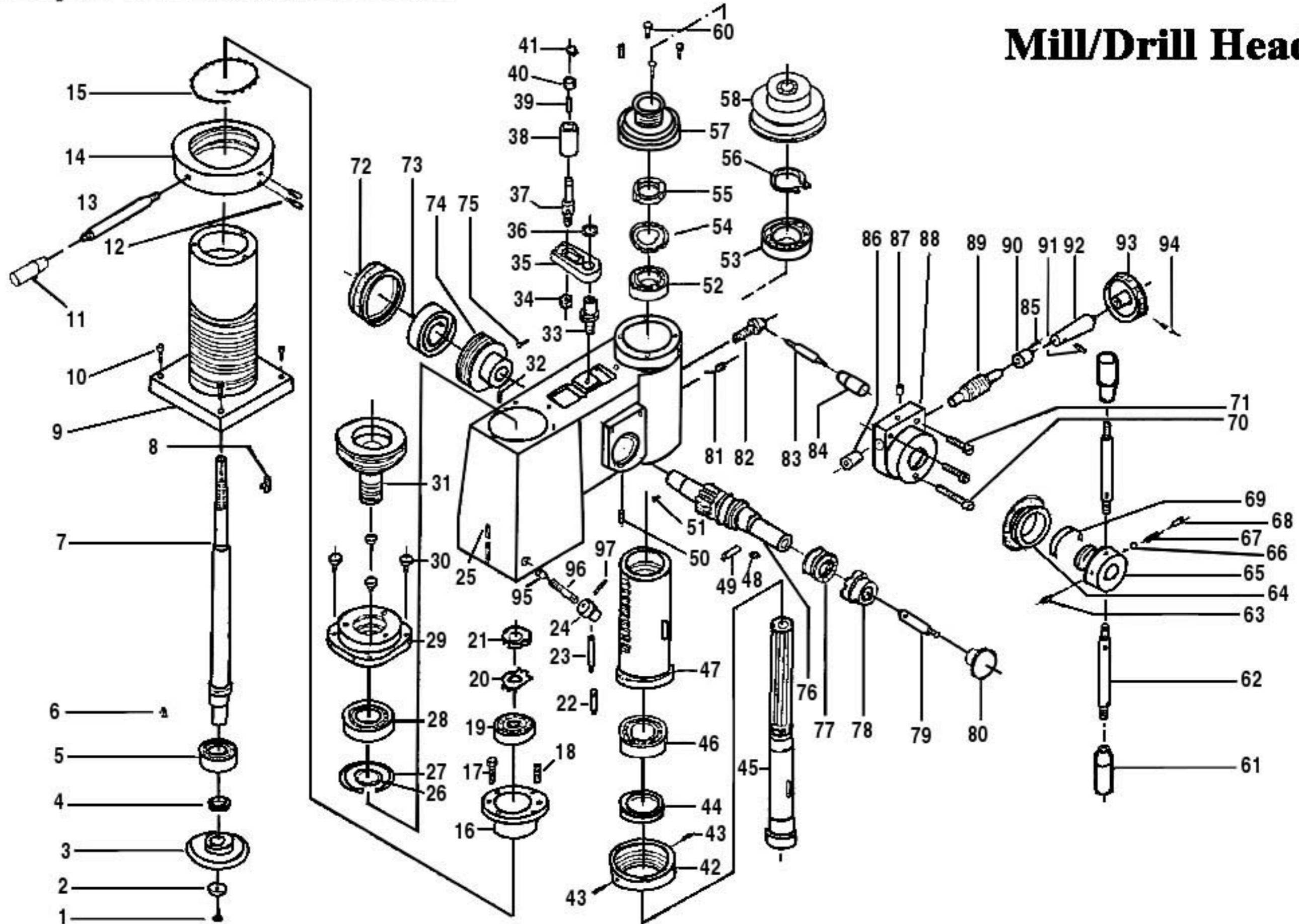


Mill/Drill Head



Mill/Drill Head

Diagram Number	Part Number	Reference Number	Description
1	S11663	M5x14 GB68	Countersunk-Head Screw
2	C30207	28 GB891	Retaining Ring
3	C30001		Bevel Gear
4	S18591		Washer
5	S20380	205	Radial Ball Bearing
6	S21500	6x12GB1096	Key
7	C30221		Drive Shaft
8	S21261	5x20 GB1096	T-Key
9	C30222	M10x25 GB30	Millhead Support Column
10	S12611	M10x25	Socket-Head screw
11	C30019		Knob
12	S11978	M6x16	Setscrew
13	S30020		Handle Lever
14	C30223		Adjusting Collar
15	C30224		Ball Bearings
16	C30225		Bearing Seat
17	S11994	M6x20	Cheese-Head Bolt

Diagram Number	Part Number	Reference Number	Description
18	S11978	M6x16	Setscrew
19	S20290		Bearing
20	C30208		Lockwasher
21	C30209		Spanner Nut
22	C30019		Knob
23	C30095		Handle
24	C30094		Base
25	C30007		Millhead
26	S23260		Snap Ring
27	S23440		Snap Ring
28	S20520		Bearing
29	C30226		Bearing Set
30	S11690	M5x20	Hexagon-Head Bolt
31	C30227		Pulley
32	S12282	M8x18	Setscrew
33	C30001		Fulcrum
34	S18125	M8	Hexagon Nut

Mill/Drill Head

Diagram Number	Part Number	Reference Number	Description
35	C30009		Tension Pulley Arm
36	S23170	15 GB894	External Snap Ring
37	C30010		Axle
38	C30011		Sleeve
39	C30012	2.5x24 GB304	Roller
(37-41)	C39004		Roller Assembly
40	C30205		Spacer Ring
41	S23075	10 GB894	External Snap Ring
42	C30013		Bearing Cap
43	S11602	M5x5 GB71	Cone-Point Setscrew
44	C30014	45	Felt Collar
45	C30015		Drill/Mill Spindle
46	S20500	D2007107	Tapered Roller Bearing
47	C30016		Spindle Sleeve
48	S21560	6x15 GB1096	Plain Parallel Key
49	S22060	5x28 GB119	Straight Pin
50	S12278	M8x16 GB78	Setscrew

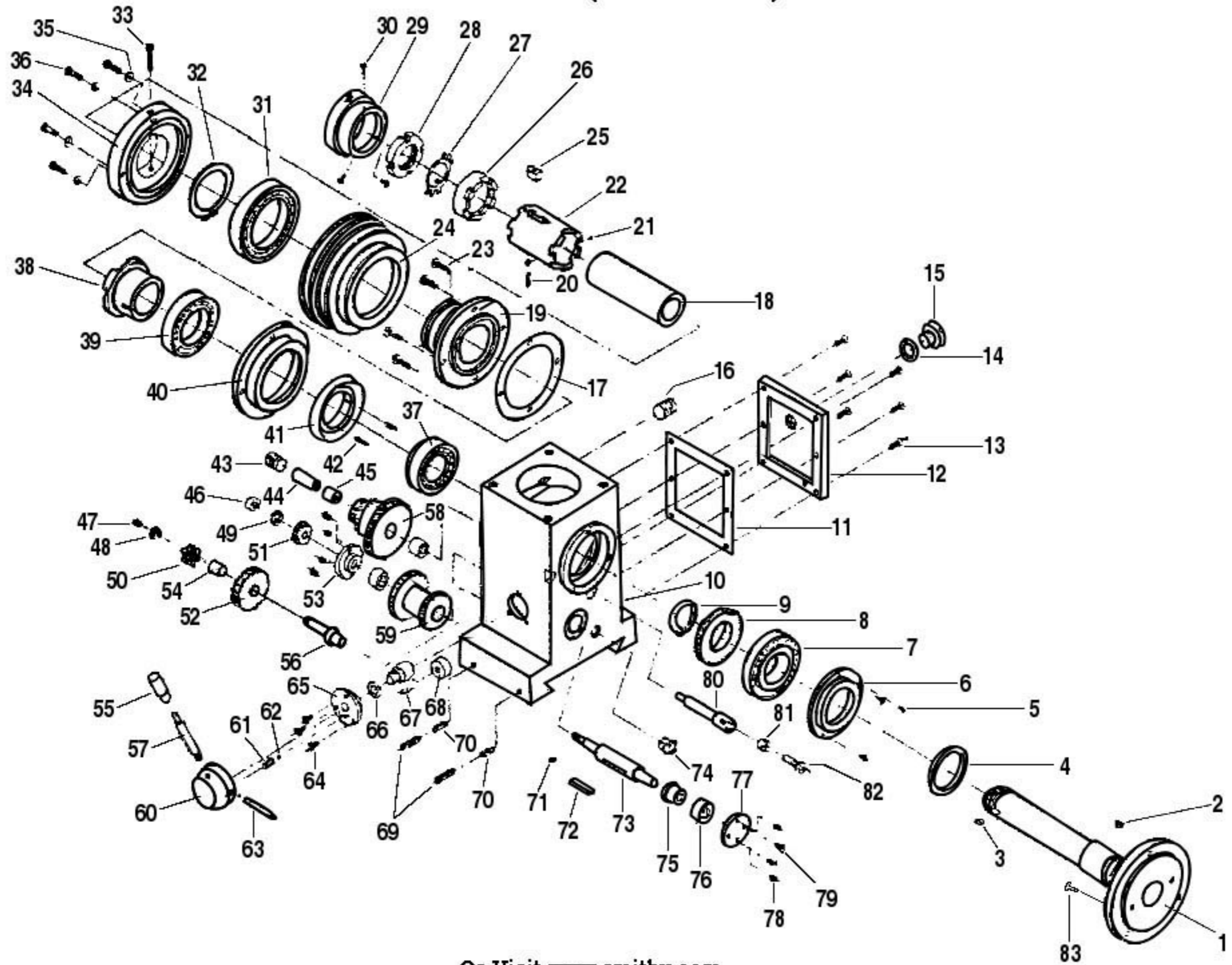
Diagram Number	Part Number	Reference Number	Description
51	S11315	M4x6 GB67	Round-Head Setscrew
52	S20410	2007106	Tapered Roller Bearing
53	S20560	108	Radial Ball Bearing
54	C30210	30 GB858	Lockwasher
55	C30211	M30x1. GB812	Round Nut
56	S23320	40 GB894	External Snap Ring
57	C30017		Bearing Seat
58	C30018		Large Pulley
60	S11690	M5x20 GB30	Hexagon-Head Bolt
61	C30019	M 10x50 GB4141	Knob
62	C30020	M10x100 GB4141	Handle Lever
63	S11952	M6x12 GB71	Cone-Point Setscrew
64	C30021		Calibrated Dial
65	C30022		Handle Seat
66	C30199	5 GB308	Steel Ball
67	C30200	0.5x15	Spring

Mill/Drill head

Diagram Number	Part Number	Reference Number	Description
68	S11938	M6x8 GB73	Flat-Point Setscrew
69	C30201	Spring	
70	S11761	M5x50	Capscrew
71	S12021	M6x30 GB70	Capscrew
72	C30023		Spring Cap
73	C30024	0.8x20x1000	Spring Flat
74	C30025		Spring Seat
75	S11315	M4x6 GB67	Round-Head Setscrew
76	C30026		Gearshaft
77	C30027		Wormgear
78	C30028		Clutch Sleeve
79	C30029		Small Shaft
80	C30030		Cone Knob
81	S12268	M8x14 GB75	Dog-Point Setscrew
82	C30031		Handle Seat
83	C30032	M6x40 GB4141	Handle Lever
84	C30033	M6x36 GB4141	Knob
85	S11642	M5x10 GB71	Cone-Point Setscrew

Diagram Number	Part Number	Reference Number	Description
86	C30034		Sleeve
87	C30035	8 GB1155	Oilcup
88	C30036		Worm Seat
89	C30037		Wormgear
90	C30034		Sleeve
91	S22110	3x16 GB117	Taper Pin
92	C30038		Joint Lever
93	C30039		Handwheel
94	S22130	3x18 GB117	Taper Pin
95	C30548		Bushing
96	C30465		Stud
97	S22140	3x22	Taper Pin
	C30578		Lable
	C39031	Spindle Quill	Assembly
	C39021		Mill Head Assembly

Lathe Head (CB-1220 Series)



Or Visit www.smithy.com

Lathe Head (CB-1220)

Diagram Number	Part Number	Reference Number	Description
1	C30097		Lathe Spindle
2	S21509	C6x4x12 GB1567	Thin Flat Key
3	S21499	C6x4x10 GB1567	Thin Flat Key
4	C30014	47	Felt Collar
5	S11333	M4x8 GB819	Phillips Oval-Head Screw
6	C30098		Mainshaft Bearing Oil Seal
7	S20550	D20718 GB297	Tapered Roller Bearing
8	C30099	50 Tooth	Gear
9	S23290	36 GB894	External Snap Ring
10	C30100		Lathe Head
11	C30101		Gasket
12	C30102		Transmission Cover
13	S11673	M5x16 GB68	Countersunk-Head Screw
14	S24400	30x20x2	O-Ring
15	C30103	M20x1.5 Q/ZB20	Oil Port Plug
16	S13198	M20x20 GB77	Flat-Point Setscrew
17	C30104		Gasket

Diagram Number	Part Number	Reference Number	Description
18	C30105		Shaft Sleeve
19	C30106		Pulley Seat
20	C30107	0.6x5x15 GB2089	Spring
21	C30199	5 GB308	Steel Ball
22	C30108		Jaw Clutch
23	S11994	M6x20 GB65	Fillister-Head Screw
24	C30109		Spindle Pulley
25	S21950	12x14 GB1096	Plain Parallel Key
26	C30110		Left Jaw Clutch
27	C30217	35 GB858	Lockwasher
28	C30218	M35x1.5 GB812	Round Nut
29	C30111		Clutch Sleeve
30	S11343	M4x10 GB820	Phillips Pan-Head Screw
31	S20680	113 GB276	Single-Row Ball Bearing
32	S23410	65 GB894	External Snap Ring
33	S11724	M5X30GB894	Cheese-head Screw
34	C30112		Bearing Cap

Lathe Head (CB-1220)

Diagram Number	Part Number	Reference Number	Description
35	S18075	5 GB93	Spring Washer
36	S11684	M5x18 GB65	Cheese-Head Screw
37	S20500	2007107 GB297	Tapered Roller Bearing
38	C30113		Right Jaw Clutch
39	S20630	110 GB276	Single-Row Ball Bearing
40	C30114		Bearing Seat
41	C30115		Bevel Gear
42	S11342	M4x10 GB71	Cone-Point Setscrew
43	S13198	M20x20 GB77	Flat-Point Setscrew
44	C30116		Sleeve
45	C30117		Oil-Impregnated Bearing
46	S18125	M8 GB52	Hexagon Nut
47	C30050	6 GB1155	Oilcup Zerk (Z40024)
48	S23080	9 GB896	E-Shaped Snap Ring
49	S18135	8 GB93	Spring Washer
50	C30118		Spline Housing

Diagram Number	Part Number	Reference Number	Description
51	C30119	24 Tooth	Gear
52	C30153		
53	C30120		End Cap
55	C30054	BM8x40 GB4141	Knob
56	C30121	(C30121A) New	Shaft
57	C30053	BM8x50 GB4141	Handle Lever
58	C30122		Triple Gear
59	C30123		Duplex Gear
60	C30124	12x50 GB4141	Handle Seat
61	C30125	0.8x5x25 GB2089	Spring
62	C30126	65 GB308	Steel Ball
63	S22185	5x50 GB117	Taper Pin
64	S11643	M5x10GB68	Countersunk-Head Screw
65	C30127		Location Plate
66	S24200	15x2.4 GB1235	O-Seal Ring
67	C30128		Shifting Yoke

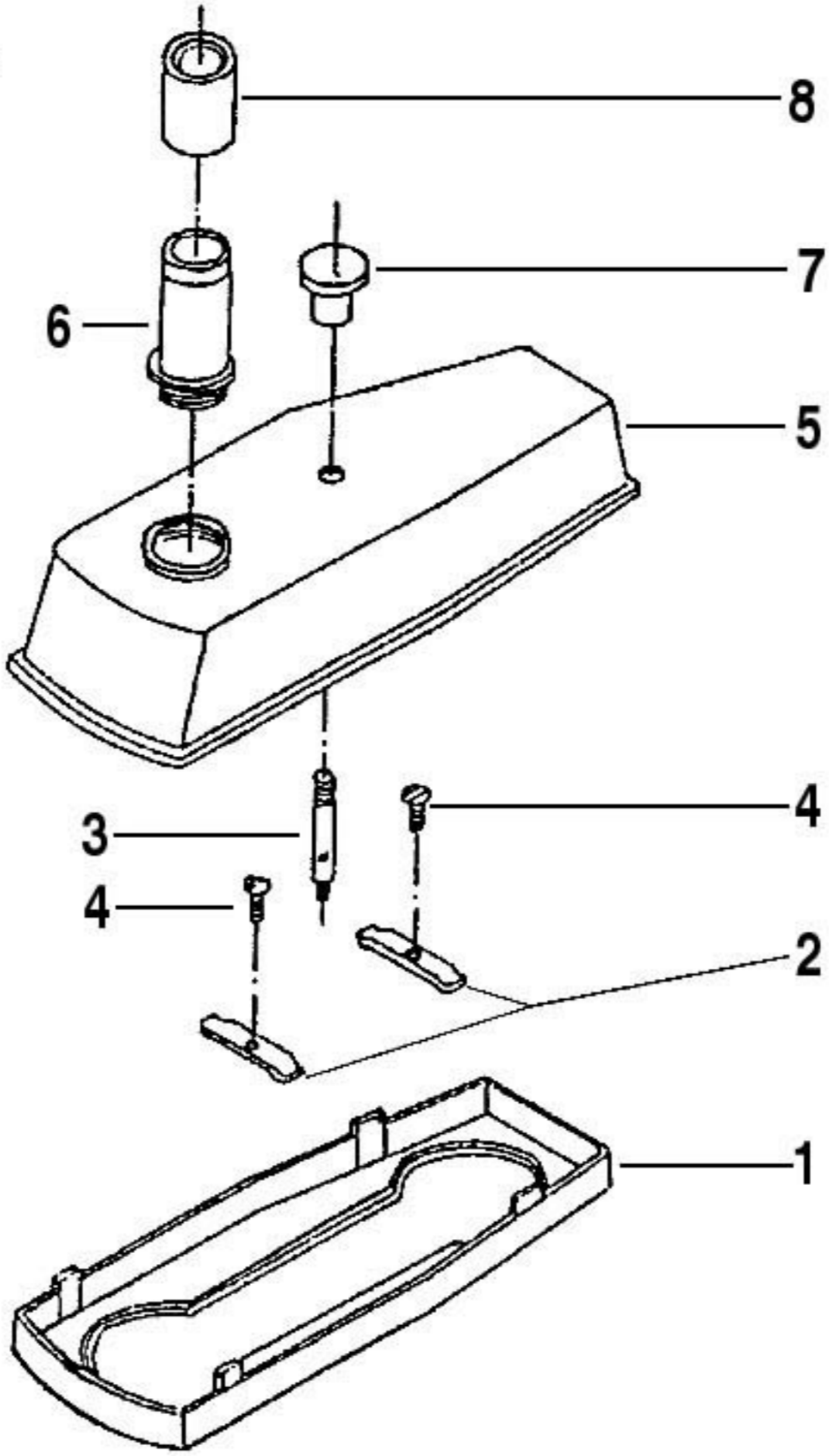
Lathe Head (CB-1220)

Diagram Number	Part Number	Reference Number	Description
68	C30129		Loose Piece
69	S12618	M 10x25 GB79	Setscrew
70	S22420	4x8 GB1096	Locking Pin
71	S21110	4x8 GB1096	Plain Parallel Key
72	S21320	5x40 GB1096	Plain Parallel Key
73	C30130		Output Shaft
74	C30131	10 JB283	Oil Level Indicator
75	C30132		Spacing Sleeve
76	C30133		Oil-Impregnated Bearing
77	C30134		End Cap
78	S11618	M5x6 GB73	Flat-Point Setscrew
79	S11643	M5x10 GB68	Countersunk Screw
80	C30135		Middle Shaft
81	C30136		Shaft Nose
82	S12314	M8x25 GB822	Cheese-Head Screw
83	S12290	M8X20	Head Hex Bolt
54	C30553		Spacer /Sleeve

Diagram Number	Part Number	Reference Number	Description
	C30532	5"3 Jaw Chuck	Key Replacement

Spindle/Pulley Cover

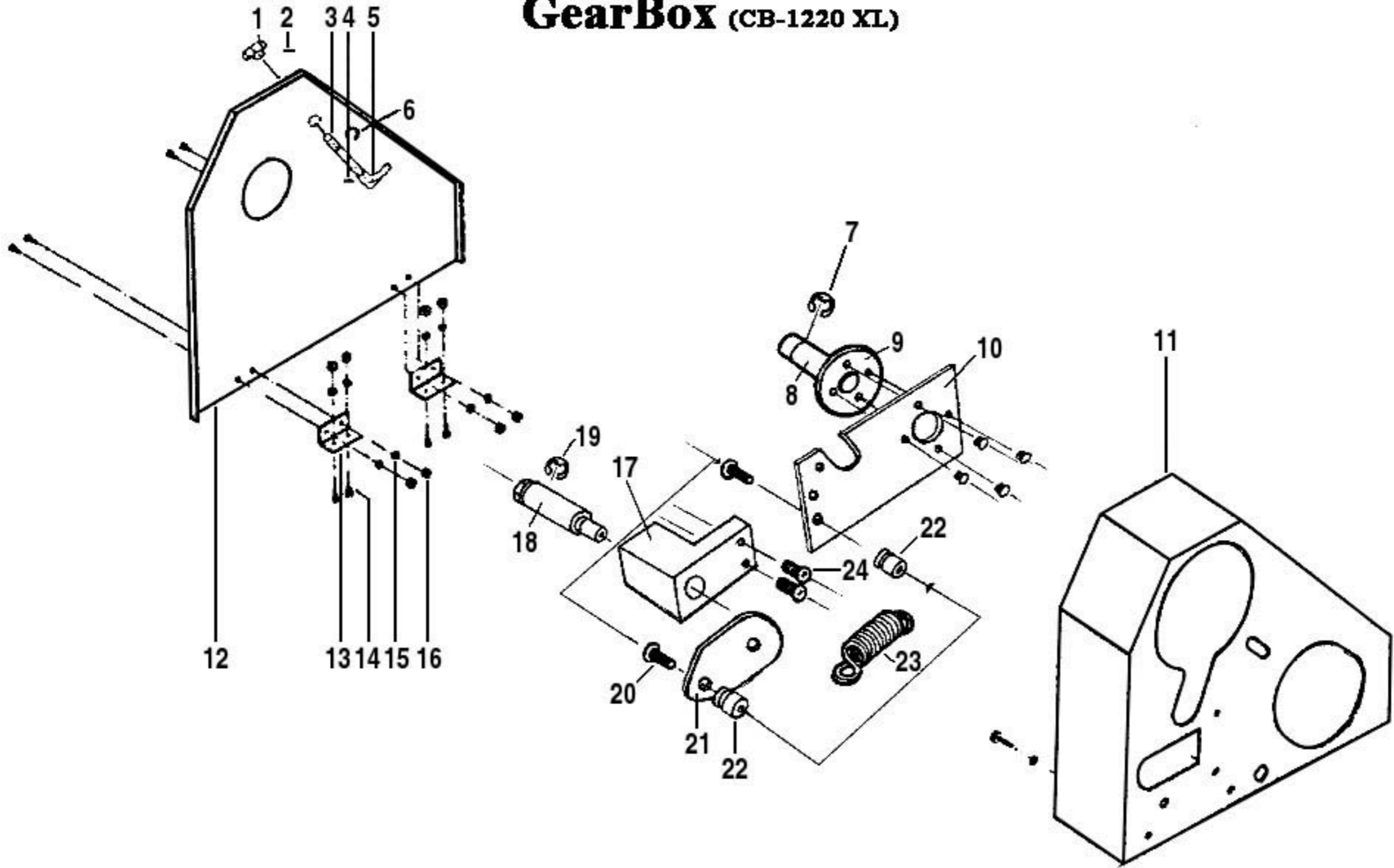
(CB-1220 Series)



Spindle / Pulley Cover (CB-1220)

Diagram Number	Part Number	Reference Number	Description
1	C30040		Pulley Shell Base Cover
2	C30041		Plate
3	C30042		Stud
4	S11965	M6x14 GB67	Round-Head Screw
5	C30043		Pulley Shell Top Cover
6	C30044	(C30609)	Spindle Cover
7	C30030		Cone Knob
8	C30045	(C30610)	Spindle Top Cover

GearBox (CB-1220 XL)



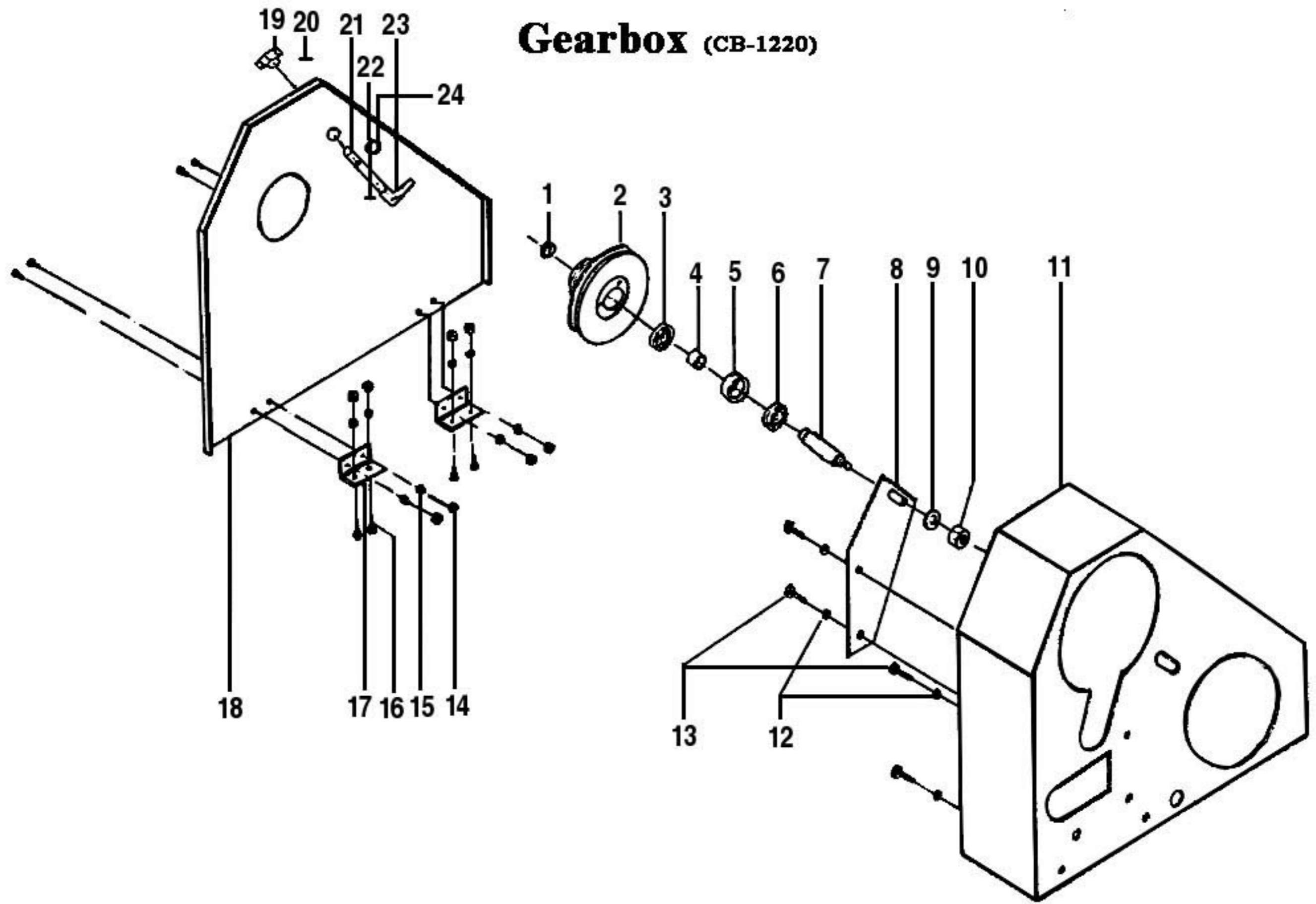
For Assistance: Please call toll free number 1-800-476-4849

Gearbox (CB-1220 XL)

Diagram Number	Part Number	Reference Number	Description
1	C30483		Doorknob
2	S22140		Pin
3	C30092		Shaft
4	S22140		Pin
5	C30093		Locking Cam
6	S23050		Snap Ring
7	S23205		Snap Ring
8	C30453		Pulley Shaft
9	C30459		Fixing Plate
10	C30455		Baseplate
11	C30140		Gearbox
12	C30142		Gearbox Door
13	C30141		Hinge
14	S11344	M4x10 GB65	Fillister-Head Screw
15	S18045	M4 GB93	Lockwasher
16	S18030	M4 GB52	Hexagon Nut
17	C30452		Fixing-Shaft Seal

Diagram Number	Part Number	Reference Number	Description
18	C30451		Fixing Shaft
19	S23140		Snap Ring
20	S11673	M5x15	Screw
21	C30450		Washer Plate
22	C30449		Sleeve
23	C30456		Spring
24	S11953	M6x12	Screw
(1-6)	C39025		Door Locking Assembly
(1-6,11-16)	C39011		Gearbox Cover Assmby
(7-10,17-24)	C39024		Idler Pulley Assembly

Gearbox (CB-1220)



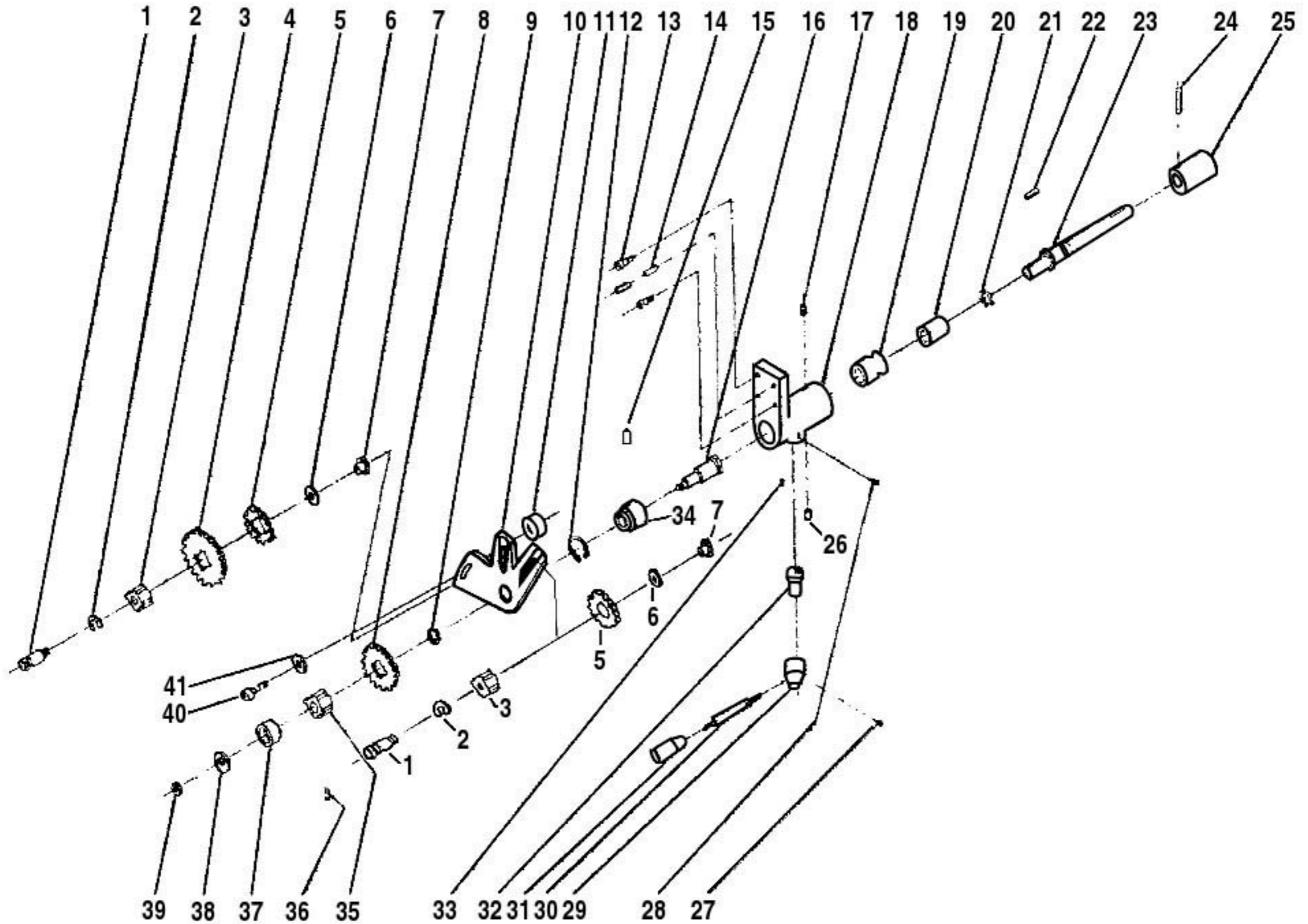
For Assistance: Please call toll free number 1-800-476-4849

Gearbox (CB-1220)

Diagram Number	Part Number	Reference Number	Description
1	S23205		Snap Ring
2	C30137		Idler Pulley
3	S20260		Bearing
4	C30197		Inner Spacer
5	C30197		Outer Spacer
6	S20260		Bearing
7	C30138		Pulley Shaft
8	C30139		Stabilizer Plate
9	S18200	M12	Washer
10	S18185	M12	Hexagon Nut
11	C30140		Gearbox
12	S18135	M8	Spring Washer
13	S12270	M8x15 GB30	Hexagon-Head Bolt
14	S18030	M4 GB52	Hexagon Nut
15	S18045	M4 GB93	Lockwasher
16	S11344	M4x10 GB65	Fillister-Head Screw
17	C30141		Hinge

Diagram Number	Part Number	Reference Number	Description
18	C30142		Gearbox Door
19	C30483		Doorknob
20	S22140		Pin
21	C30092		Shaft
22	S22140		Pin
23	C30093		Locking Cam
24	S23050		Snap Ring
(1-6)	C39024		Idler Pulley Assembly
(11,14-23)	C39011		Gearbox Cover Assmby
(19-24)	C39025		Door Locking Assembly

Gear/Powerfeed (CB-1220)



For Assistance: Please call us at toll free number 1-800-476-4849

Gear / Powerfeed (CB-1220)

Diagram Number	Part Number	Reference Number	Description
1	C30080		Change-Gear Shaft
2	S23080	9 GB896	E-Shaped Snap Ring
3	C30081		Spline Housing
4		<Listed as Gear B in Installation Diagram>	
5		<Listed as Gear C in Installation Diagram>	
6	C30215		Washer
7	C30082		T-Nut
8		<Listed as Gear D in Installation Diagram>	
9	S18170		Washer
10	C30083		Change-Gear Plate
11	C30462		Spacer
12	S23230		External Snap Ring
13	S11971		Capscrew
14	S22170		Taper Pin
15	C30050		Oilcup
16	C30084		Jaw-Clutch Shaft
17	S11612	M5x6 GB71	Cone-Point Setscrew

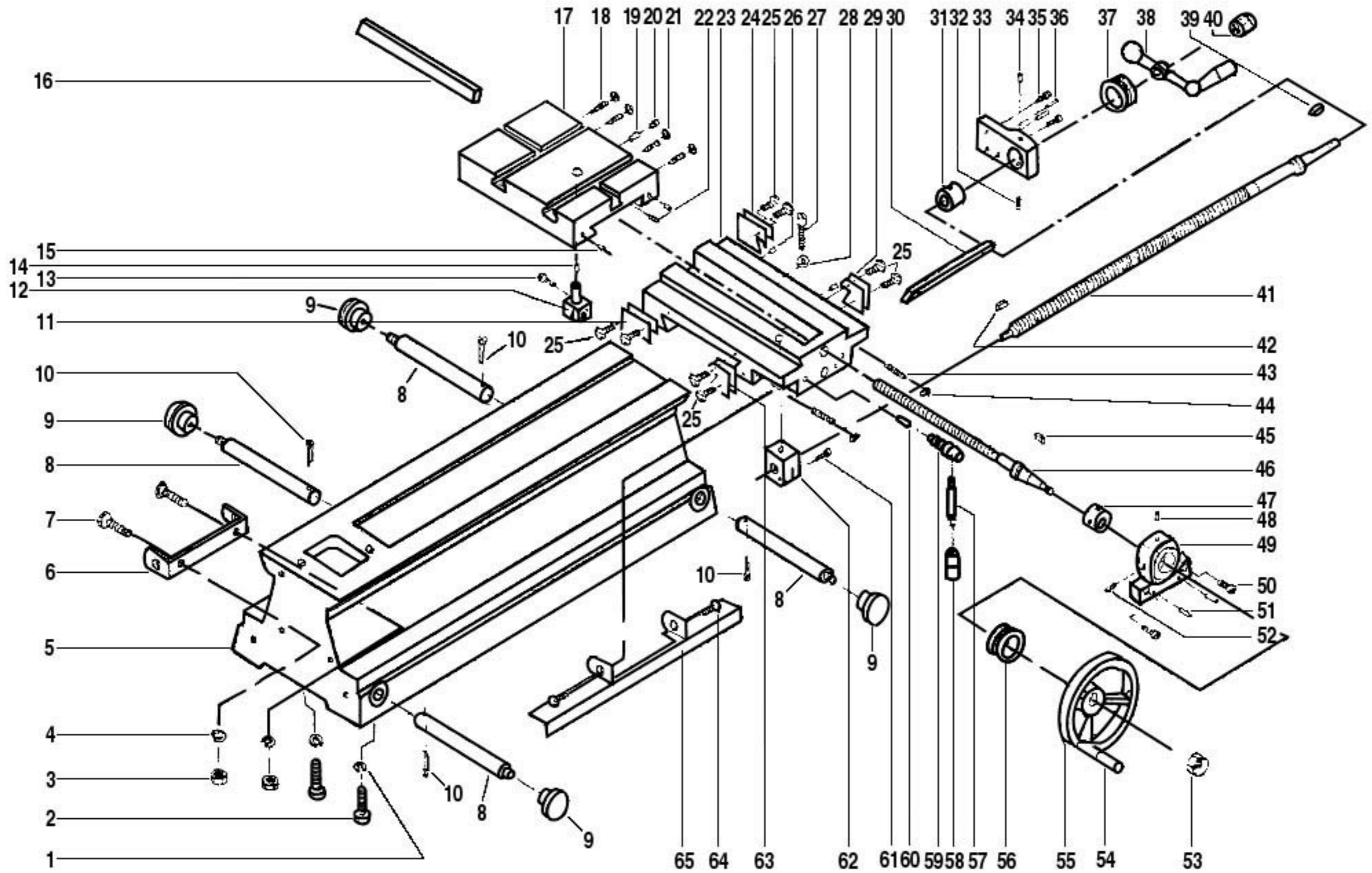
Diagram Number	Part Number	Reference Number	Description
18	C30085		Left Trestle
19	C30086		Hexagon-Socket Sliding Bushing
20	C30087		Bush Bearing
21	S23170	15 GB894	External Snap Ring
22	S21170	4x20 GB1096	Plain Parallel Key
23	C30088		Shaft
24	S22180	M5x28	Taper Pin
25	C30089		Sleeve Coupling
26	C30050	6 GB1155	Oilcup
27	S11612	M5x6 GB71	Cone-Point Setscrew
28	S11338	M4x8 GB75	Dog-Point Setscrew
29	C30096		Handle Base
30	C30032		Handle
31	C30033		knob
32	C30090		Eccentric Axis
33	S11612	M5x6 GB71	Cone-Point Setscrew
34	C30091		Shaft Sleeve

Gear/Powerfeed (CB-1220)

Diagram Number	Part Number	Reference Number	Description
35	C30081	(C30081S)	Spline Housing
36	S22050	3x14 GB119 (S22050)	Straight Pin
37	C30206		Pressure Sleeve
38	C30216		Washer
39	S18095	M6 GB52	Nut
40	S12331	M8x35	Hexagon-Head Bolt
41	S18140	M8	Washer
(1-41)	C39008		Change-Gear Assembly
		Change Gears	
	C31012		Gear Set
	C30143		27-Tooth Gear
	C30144		30-Tooth Gear
	C30145		32-Tooth Gear
	C30146		33-Tooth Gear
	C30147		36-Tooth Gear
	C30148		39-Tooth Gear

Diagram Number	Part Number	Reference Number	Description
	C30149		40-Tooth Gear
	C30150		42-Tooth Gear
	C30151		48-Tooth Gear
	C30152		49-Tooth Gear
	C30153		50-Tooth Gear
	C30154		51-Tooth Gear
	C30155		54-Tooth Gear
	C30157		56-Tooth Gear
	C30158		57-Tooth Gear
	C30159		60-Tooth Gear
	C30160		63-Tooth Gear

Bed and Carriage (CB-1220)



Bed and Carriage (CB-1220)

Diagram Number	Part Number	Reference Number	Description
1	S19165	M 10x30 GB30	Spring Washer
2	S12620	10 GB93	Hexagon-Head Bolt
3	S18155	BM10 GB52	Hexagon Nut
4	S18165	10 GB93	Spring Washer
5	C30061		Bed
6	C30062		Motor Mount
7	S12623	M 10x30 GB68	Countersunk-Head Screw
8	C30063		Lift Pin
9	C30030		Cone Knob
10	S22540	3x25 GB91	Cotter Pin
11	C30443		Wipe-Back Left
12	C30213	C30213-I (Inch)	Nut
13	S11074	3x16 (S11091 3x20)	Screw
14	C30050	6 GB1155	Oilcup
15	C30035	8GB1155	Oilcup
16	C30473		Gib
17	C30064		Carriage Top

Diagram Number	Part Number	Reference Number	Description
18	S12348	M8x40	Setscrew
19	S22420		Locking Pin
20	S12568	M10x14 GB79	Setscrew
21	S18125		Jam Nut
22	S11952	M6x12 GB71	Cone-Point Setscrew
23	C30065		Carriage Base
24	C30446		Wipe-Back Right
25	S11935		Round-Head Screw
26	C30035	8 GB1155	Oilcup
27	S12031	M6x35 GB70	Capscrew
28	S18110	6GB97	Washer
29	C30445		Wipe-Front Right
30	C30066		Gib
31	C30067		Longitudinal-Screw Bush Bearing
32	S11948	M6x10 GB71	Cone-Point Setscrew
	S11992	M6x20	Setscrew
33	C30068		Trestle

Bed and Carriage (CB-1220)

Diagram Number	Part Number	Reference Number	Description
34	C30050	6 GB1155	Oilcup
35	S11971	M6x16 GB70	Capscrew
36	S22170	5x20 GB117	Taper Pin
37	C30069		Dial
38	C30070	12x50 GB4141-9	Ball-Crank Handle
39	S21140	4x18 GB1096	Plain Parallel Key
40	S18190	M12 GB923	Acorn Nut (CB-1220)
	S18160	M10	Acorn Nut (CB-1220 XL)
41	C30071	(CB-1220)	Longitudinal-Feed Screw
	C30074	(CB-1220 XL)	Longitudinal-Feed Screw
42	S21260	5x20 GB1096	Plain Parallel Key
43	S12348	M8x40	Setscrew
44	S18125		Jam Nut
45	S21140	4x18 GB1096	Plain Parallel Key
46	C30072		Cross-Feed Screw
47	C30073		Bush Bearing
48	C30035	8 GB1155	Oilcup

Diagram Number	Part Number	Reference Number	Description
49	C30076		Cross-Feed Screw Seat
50	S12271	M8x16 GB70	Capscrew
51	S22170	5x20 GB117	Taper Pin
52	S11952	M6x12 GB71	Cone-Point Setscrew
53	S18160	M10 GB923	Acorn Nut
54	C30060	M8x65 JB1335	Handle with Sleeve
55	C30059	12x125 JB1353	Handwheel
56	C30214		Dial
57	C30032	M6x40 GB4141	Handle Lever
58	C30033	M6x36 GB4141	
59	C30077		
60	S22420		
61	S11671	M5x16	
62	C30078 (m)	C30078-I (Inch)	Longitudinal-Feed Nut (CB-1220)
	C30467		Longitudinal-Feed Nut (CB—1220XL)
63	C30444		Wipe-Front Left

Bed and Carriage (CB-1220)

Diagram Number	Part Number	Reference Number	Description
64	S11655	M5x12	Round-Head Screw
65	C30079		Leadscrew Cover (CB-1220)
	C30463		Leadscrew Cover (CB-1220 XL)

Table (CB-1220 XL)

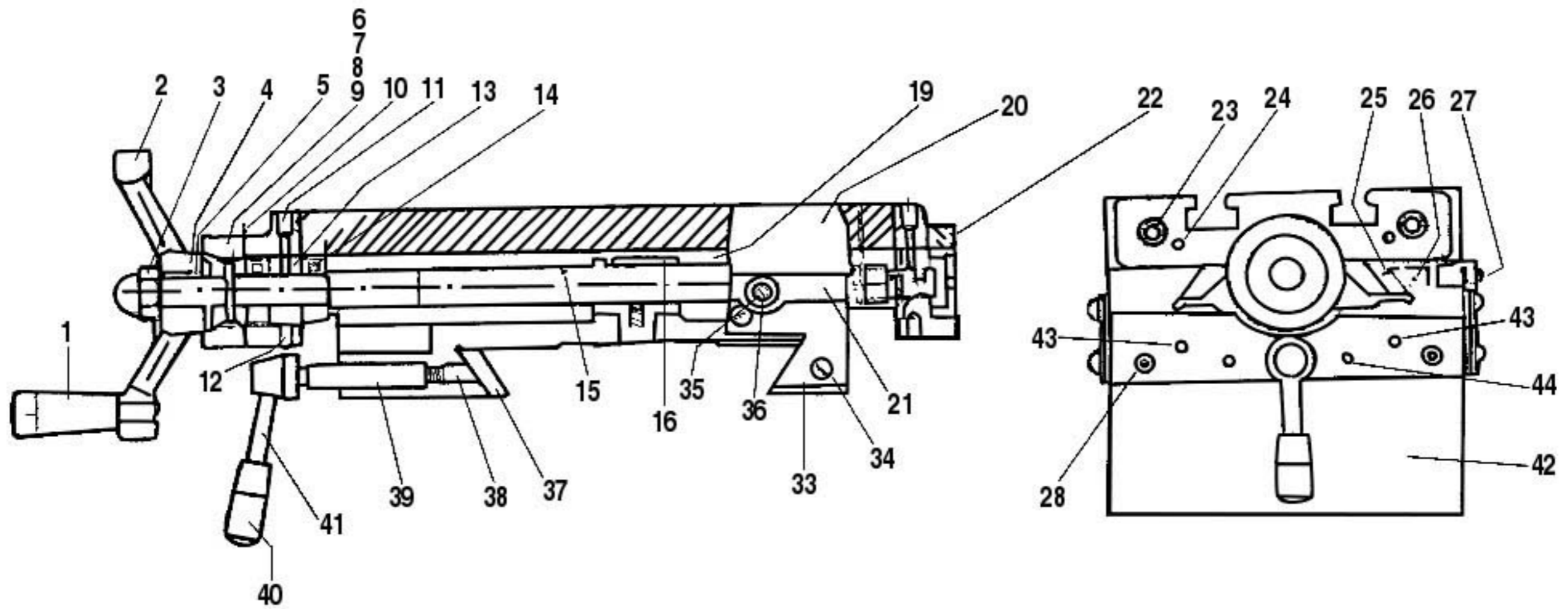


Table (CB-1220 XL)

Diagram Number	Part Number	Reference Number	Description
1	C30278	M8x65 GB4141	Handle
2	C30277	B12x25 GB4141	Handwheel
3	S18160	M10 GB923-88	Nut
4	S21130	4x14 GB1196-79	Key
5	C30413		Washer
6	C30172		Dial
7	C30173		Spring
8	C30414		Sleeve
9	S22154	4x25 GB117-86	Pin
10	C30415		Screw Seat
11	C30035	8 GB1155-79	Oilcup
12	S11952	6x12	Setscrew
13	C30416		Sleeve
14	S20090	8801	Bearing
15	C30417		Cross-Feed Screw
16	C30418		Cross-Feed Nut
19	S11374	M4x16 GB70-85	Screw

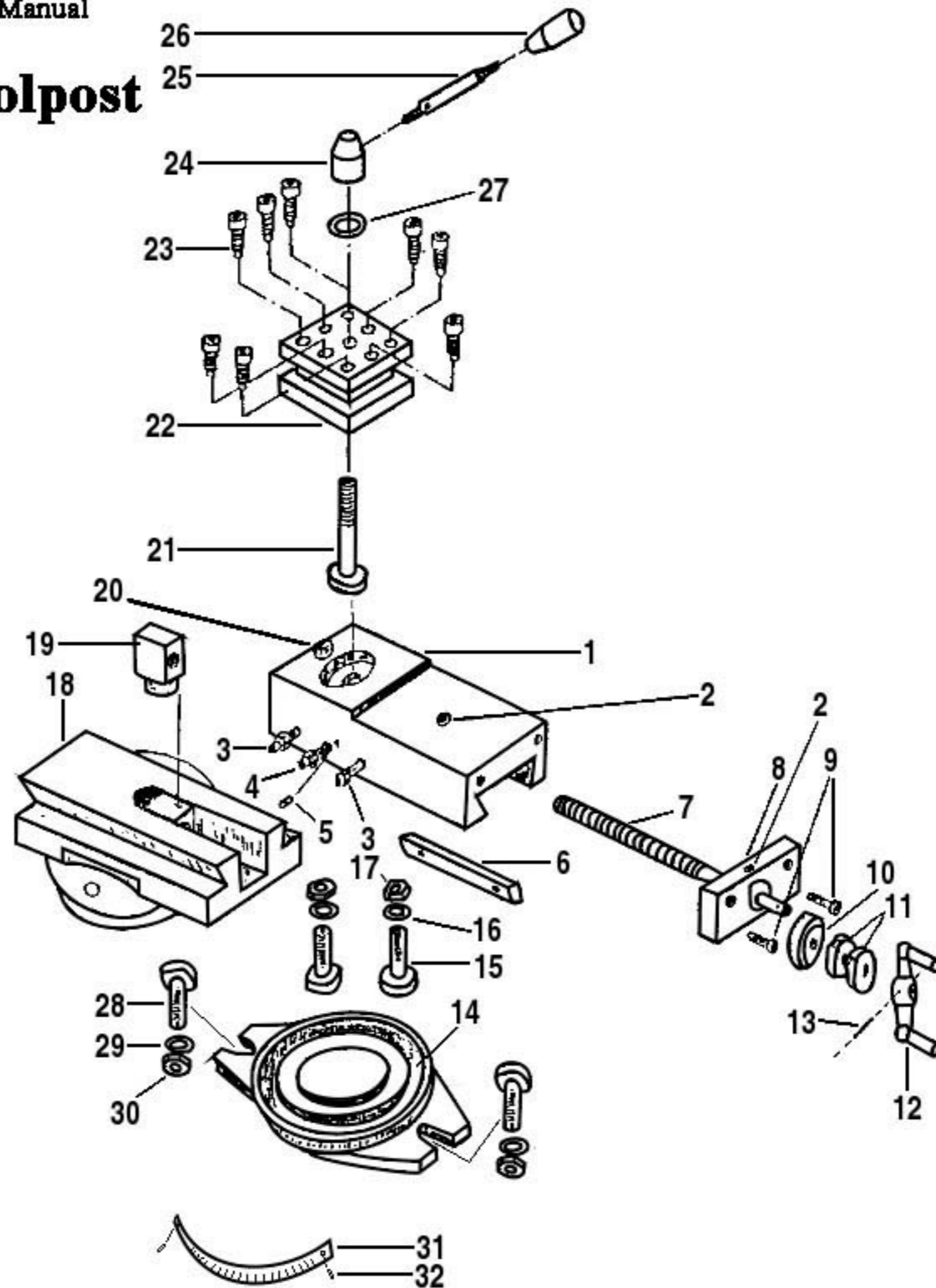
Diagram Number	Part Number	Reference Number	Description
20	C30419		Table
21	C30420		Carriage
22	C30421		End Piece
23	S12271	M8x16 GB70-85	Screw
24	S22175	5x26 GB 117-86	Pin
25	C30422		Gib
26	S22420		Locking Pin
27	S12568	M10x14 GB79-85	Screw
28	S12338	M8x35 GB79-85	Screw
29	C30443		Wipe-Left Rear
30	C30444		Wipe-Left Front
31	S11935	M6x8 GB818-85	Screw
32	C30445		Wipe-Right Front
33	C30446		Wipe-Right Rear
34	S11935	M6x8 GB818-85	Screw
35	S12338	M8x35 GB79-85	Screw

Table (CB-1220 XL)

Diagram Number	Part Number	Reference Number	Description
36	S18130	M8 GB6172-85	Nut
37	C30066		Gib
38	S22420		Locking Pin
39	C30447		Handle Seat
40	C30033	M6x26 GB4141	Handle Sleeve
41	C30032	M6x40 Gb4141	Lever
42	C30468		Apron
43	S11971	M6x16	Bolt
44	S22175	5x26	Pin
(5-8)	C39029		Dial Assembly

Compound-Angle Toolpost

(CB-1220)

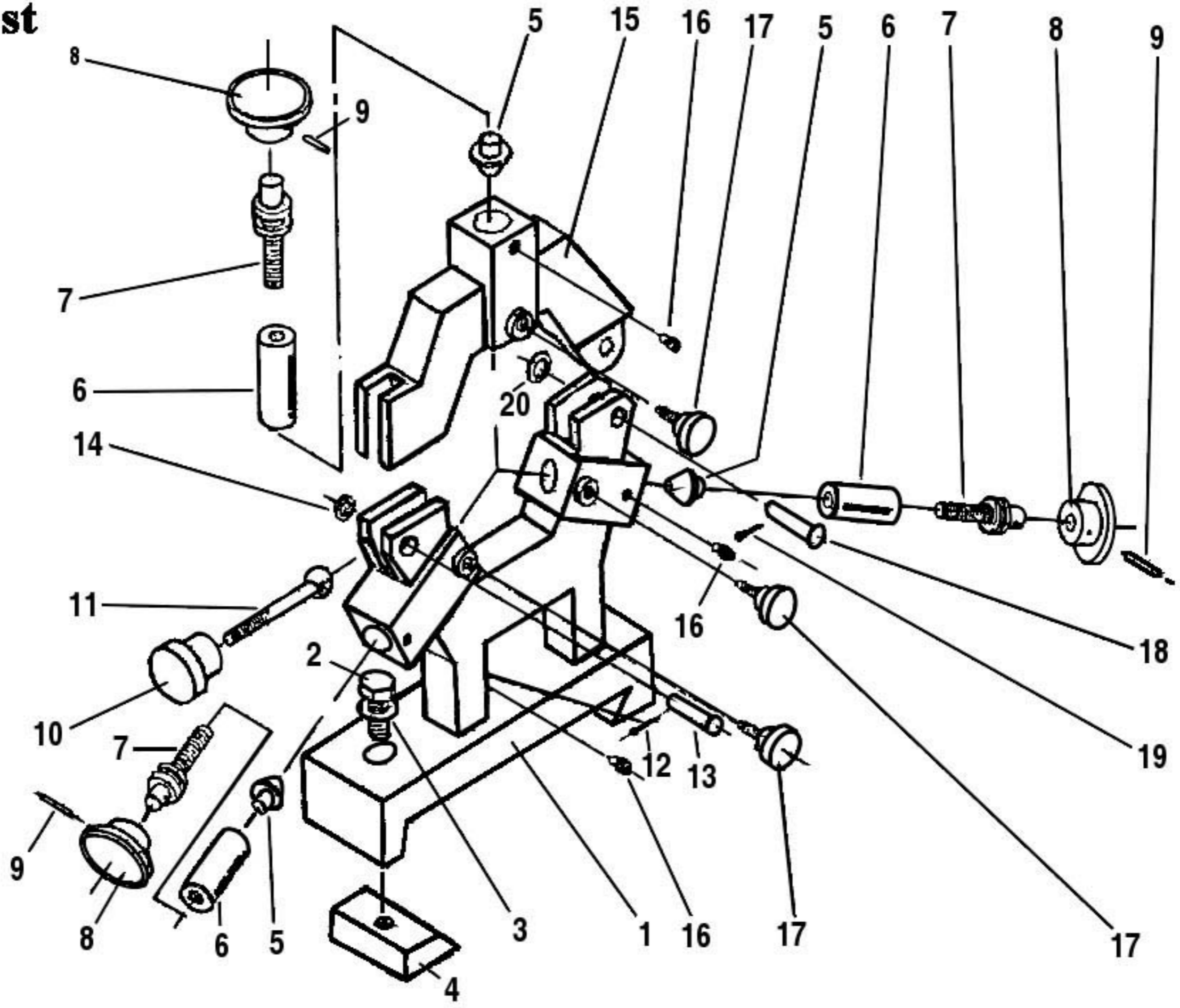


Compound-Angle Toolpost (CB-1220)

Diagram Number	Part Number	Reference Number	Description
1	C30175		Sliding Carriage
2	C30050		Oilcup
3	S11672	M5x16	Cone-Point Hexscrew with Nut
4	S11640	M5x10	Setscrew with Hex Nut
5	S22410		Locking Pin
6	C30176		Gib
7	C30177		Screw with Bearing
8	C30178		Hanger
9	S11971	M6x16	Hex-Socket Setscrew
10	C39027		Dial
11	C30220		Spanner Nut
12	C30179		Handle
13	S22110		Taper Pin
14	C30180		Revolving Bed
15	S12296	M8x20	Base Locking Bolt
16	S18140	M8	Washer
17	S18125	M8x1.25	Hex Nut

Diagram Number	Part Number	Reference Number	Description
18	C30181		Carriage Base
19	C30182		Carriage Nut
20	C30183		Ball with Spring
21	S12696	M10x65	Turret Bolt
22	C30184		Toolpost
23	S12311	M8x25	Hex Socket-Head Screw
24	C30185		Handle Seat
25	C30053		Toolpost Handle
26	C30054		Long Sleeve Knob
27	C30556	M10	Washer
(11,14-23)	C31011		Gearbox Cover Assembly
28	S12626	10x30	Bolt (To attach to the cross-slide)
29	S18170	M10	Washer
30	S18155	M10	Nut
31	C30407		Scale CATP
32	S22355	M2.5x5	Rivet

Steady Rest



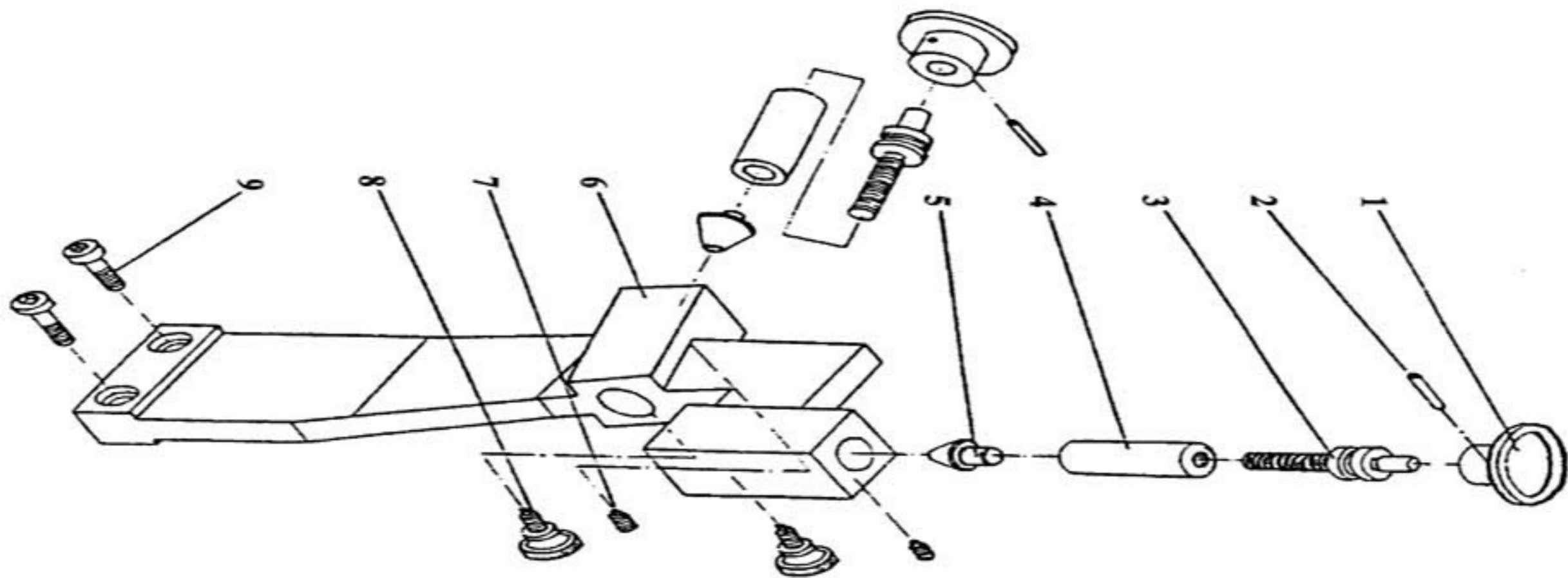
For Assistance: Please call toll free number 1-800-476-4849

Steady Rest

Diagram Number	Part Number	Reference Number	Description
1	C30186		Center Frame
2	S12651	M10x45	Socket-Head Bolt
3	S18170	M10	Washer
4	C30187		Chock
5	C30188		Brass Head
6	C30189		Finger Sleeve
7	C30190		Adjusting Bolt
8	C30191		Knob
9	S22140		Taper Pin
10	C30192		Knob
11	C30193		Dog Bolt
12	S22510		Split Pin
13	S22620		Pivot Pin
14	S18110	M6	Washer
15	C30194		Center Frame Head
16	S11948	M6x10	Setscrew
17	C30195		Knurled Screw

Diagram Number	Part Number	Reference Number	Description
18	S22620		Pivot Pin
19	S22510		Split Pin
20	S18140		Washer
(5-6)	C39017		Brass Head and Sleeve Assembly

Follow Rest

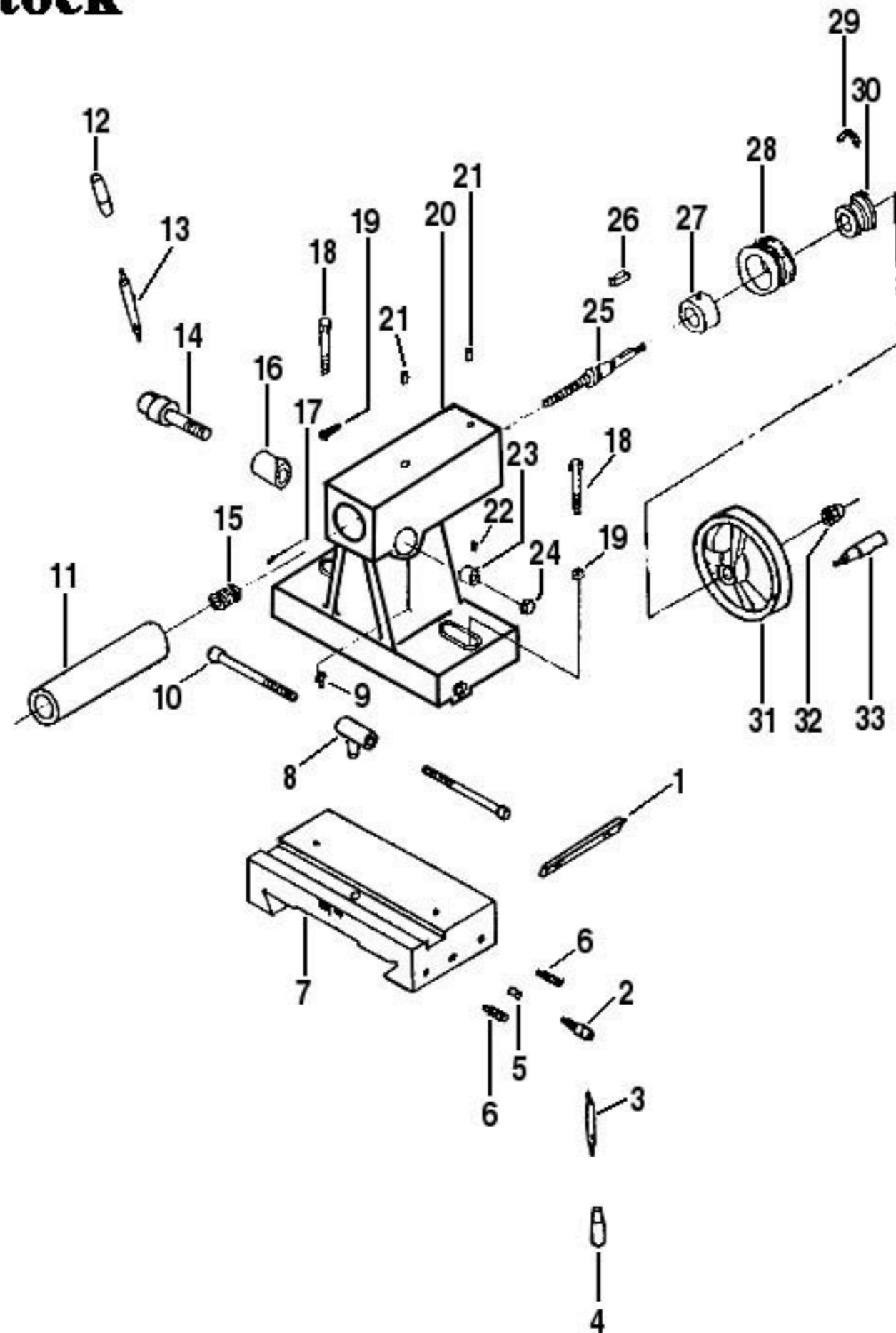


Follow Rest

Diagram Number	Part Number	Reference Number	Description
1	C30191		Knob
2	S22140		Taper Pin
3	C30190		Adjusting Bolt
4	C30189		Sleeve
5	C30188		Brass Head
6	C30196		Follow Rest Casting
7	S11948	M6x10	Setscrew
8	C301995		Knurled Screw
9	S12291	M8x20	Capscrew
(4-5)	C39017		Brass Head and Sleeve Assembly

Adjustable Tailstock

(CB-1220)



For Assistance: Please call toll free number 1-800-476-4849

Adjustable Tailstock (CB-1220)

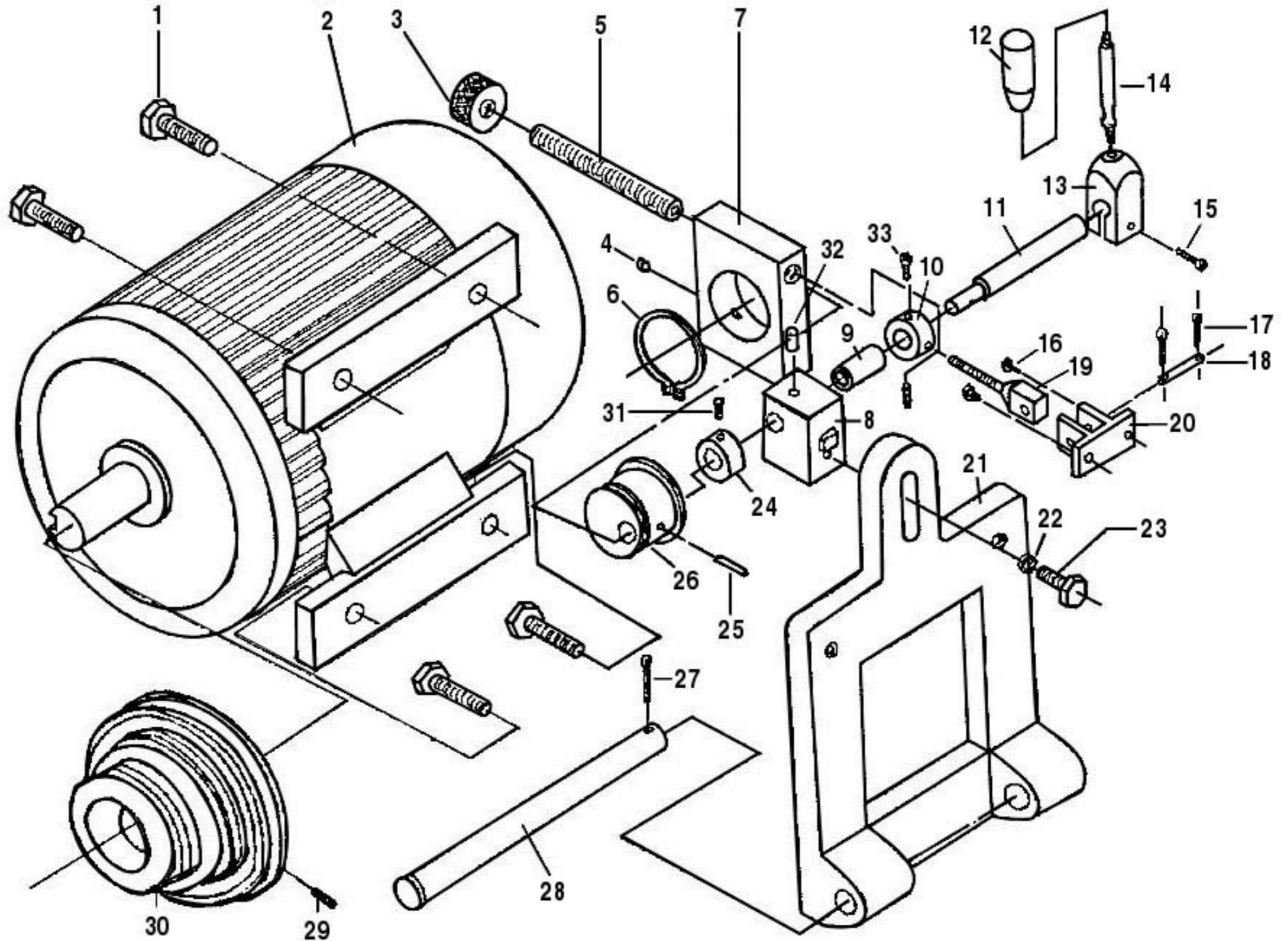
Diagram Number	Part Number	Reference Number	Description
1	C30057		Gib
2	C30161		Locking Handle Seat
3	C30032		Handle Lever
4	C30033		Knob
5	S22420		Locking Pin
6	S12318	M8x2.5	Setscrew
7	C30162		Tailstock Carriage
8	C30163		Nut
9	S21211		T-Key
10	S12421	M8x80	Capscrew
11	C30164		Tailstock Sleeve
12	C30054		Knob
13	C30053		Handle Lever
14	C30052		Handle Seat
15	C30048		Tailstock Nut
16	C30051		Locking Sleeve
17	S11642	M5x10	Setscrew

Diagram Number	Part Number	Reference Number	Description
18	S12640	M10x40	Hex-Head Bolt
19	S18170	M10	Washer
20	C30168		Tailstock
21	C30050		Oil Nipple
22	S11952	M6x12	Setscrew
23	C30049		Locking Nut
24	C30170		Locking Base
25	C30056		Screw
26	S21140		Key
27	C30171		Sleeve
28	C30172		Dial
29	C30173		Spring
30	C30174		Sleeve
31	C30059		Handwheel
32	S18160	M10	Acorn Nut
33	C30060		Handle

Adjustable Tailstock (CB-1220)

Diagram Number	Part Number	Reference Number	Description
(1-33)	C39014	Adjustable	Tailstock Assembly
(28-30)	C39015		Floating Dial Assembly

Motor with Tensioner (CB-1220 XL)

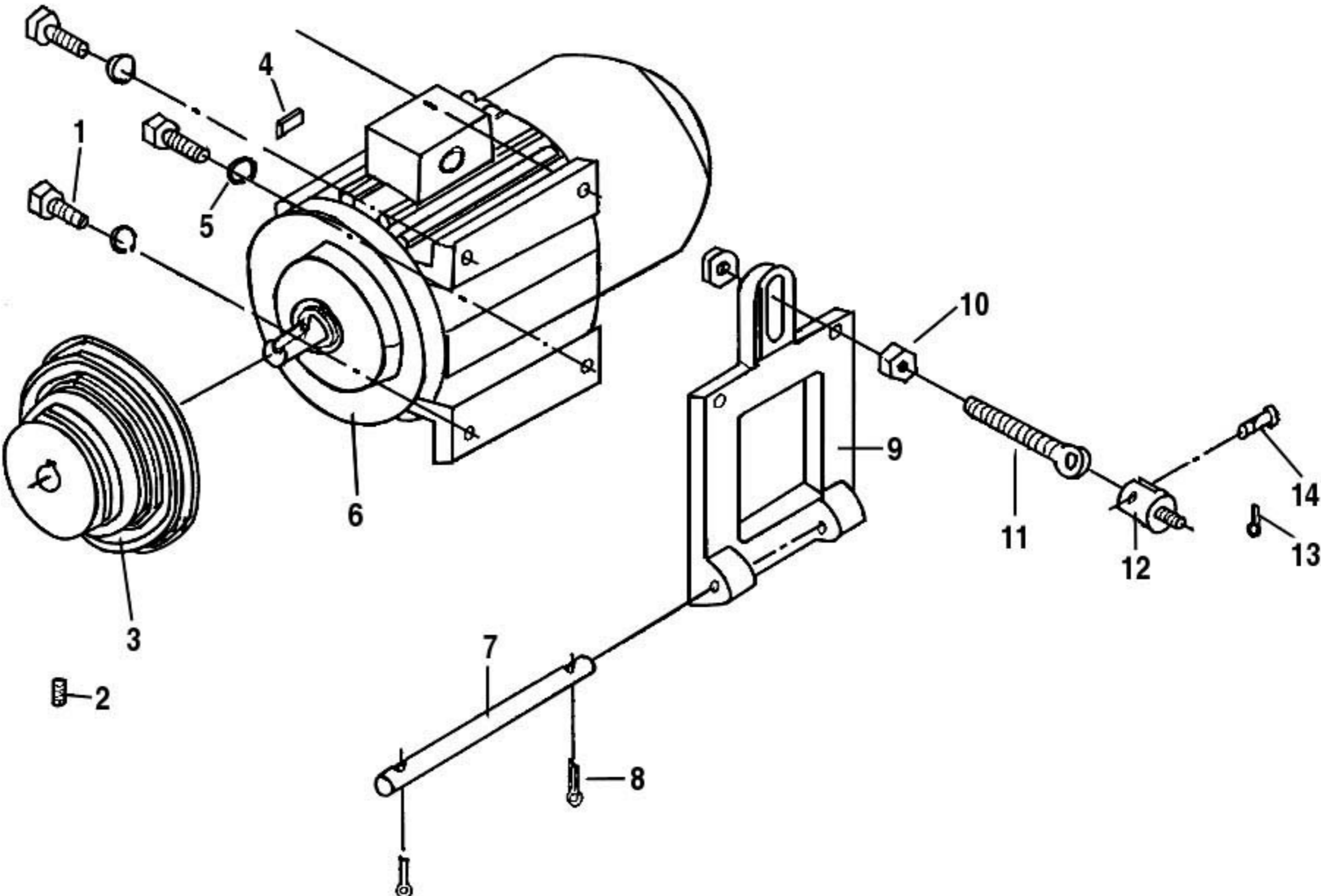


Motor with Tensioner (CB-1220 XL)

Diagram Number	Part Number	Reference Number	Description
1	S12290	M8x20 GB30	Hexagon-Head Bolt
2	C30475		110-V Motor, 0.55kw, 60 hz
	C30482		220-V Motor, 60 hz
3	C30396	M12	Screw Arbor with Knurled Knob
4	C30050	6 GB1155-79	Oilcup
5	C30448	M12	Screw Arbor with Knurled Knob
6	S23320	40 GB894.1-86	Shaft Circlips—Type A
7	C30398		Set
8	C30399		Locating Piece
9	C30400		Sleeve
10	C30401		Locating Piece
11	C30402		Shaft
12	C30054	M6x36GB4141.14	Knob
13	C30403		Handle Seat
14	C30053	M6x40GB4141.15	Handle Lever
15	S11991	M6x20 GB70-85	Capscrew
16	S11670	M5x15 GB5-76	Hexagon-Head Bolt

Diagram Number	Part Number	Reference Number	Description
17	S22520	2x12 GB91-86	Split Pin
18	C30404	6x28 GB119-86	Pivot Pin
19	C30405		Attachment Screw Arbor
20	C30406		Motor Tension Plate
21	C30476		Motor Mount
22	S18135	8 GB93-87	Lockwasher
23	S12290	M8x20 GB5781	Hexagon-Head Bolt
24	C30401		Locating Sleeve
25	S22152	4x24 GB117-86	Taper Pin
26	C30411		Eccentric Wheel
27	S22530	3x16	Cotter Pin
28	C30484		Straight Pin
29	S12248	M8x10 GB73	Flat-Point Screw
30	C30474		Motor Pulley
31	S11608	M5x5	Setscrew
32	C30050	6 GB1155-79	Oilcup
33	S11641	M5x10	Capscrew

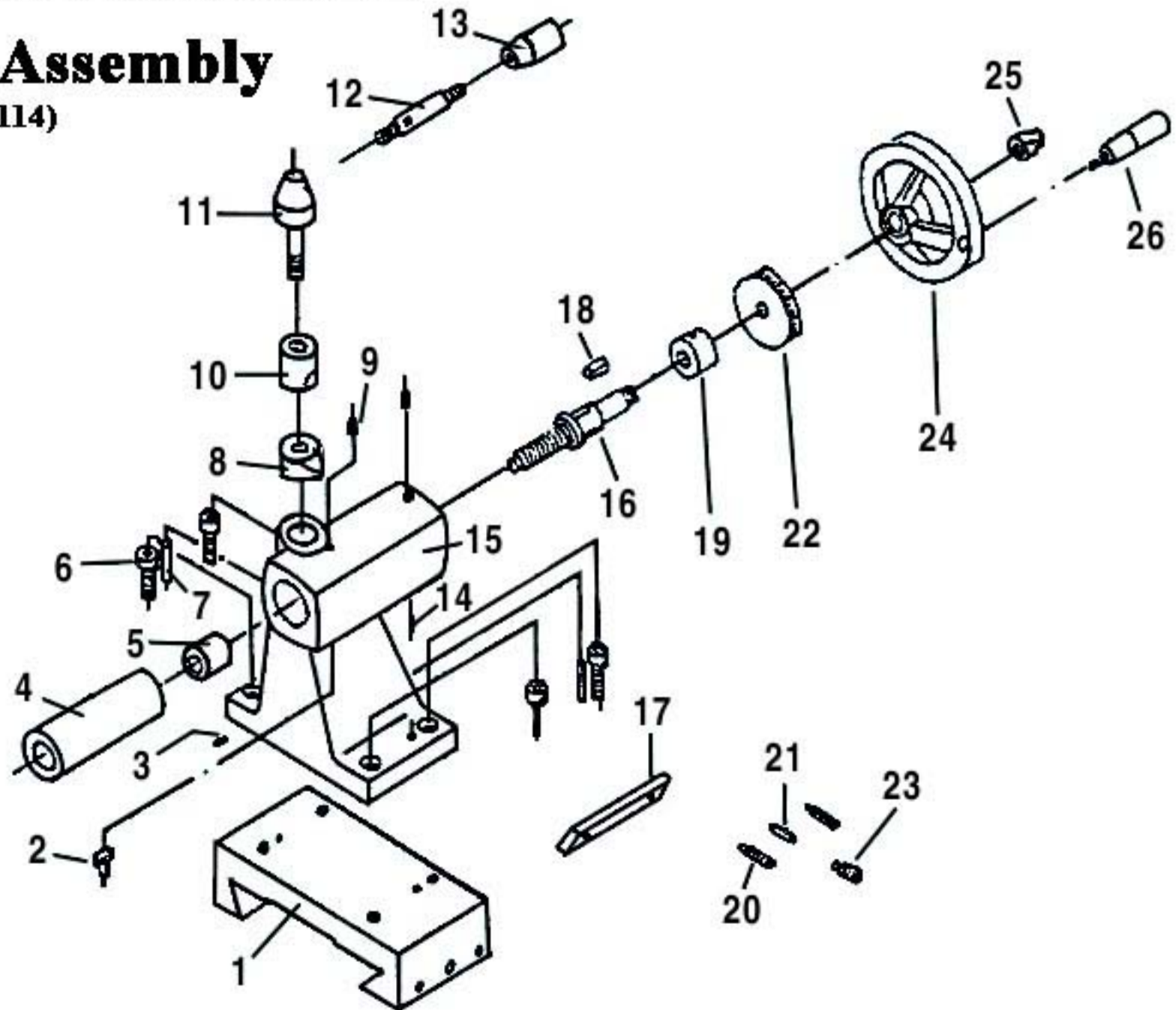
Motor (CB-1220 & CM-1114)



Motor (CB-1220 and CM-1114)

Diagram Number	Part Number	Reference Number	Description
1	S12290	M8x20 GB30	Hexagon-Head Bolt
2	C30474		Motor Pulley
3	S12248	M8x10 GB73	Flat-Point Setscrew
4	S21290	B5x25 GB1096	Plain Parallel Key
5	S18135	8 GB93	Spring Washer
6	C30475		110-V Motor, 0.55 kw, 60 hz
	C30482		220-V Motor, 60 hz
7	C30484		Straight Pin
8	S22530	3x16 GB91	Split Pin
9	C30476		Motor Mount Plate
10	S18125	M8	Hexagon Nut
11	C30477		Dog Bolt
12	C30478		Forked Standard
13	S22520	2x12 GB91	Split Pin
14	S22610	A6x25 GB882	Pivot Pin

Tailstock Assembly (CM-1114)

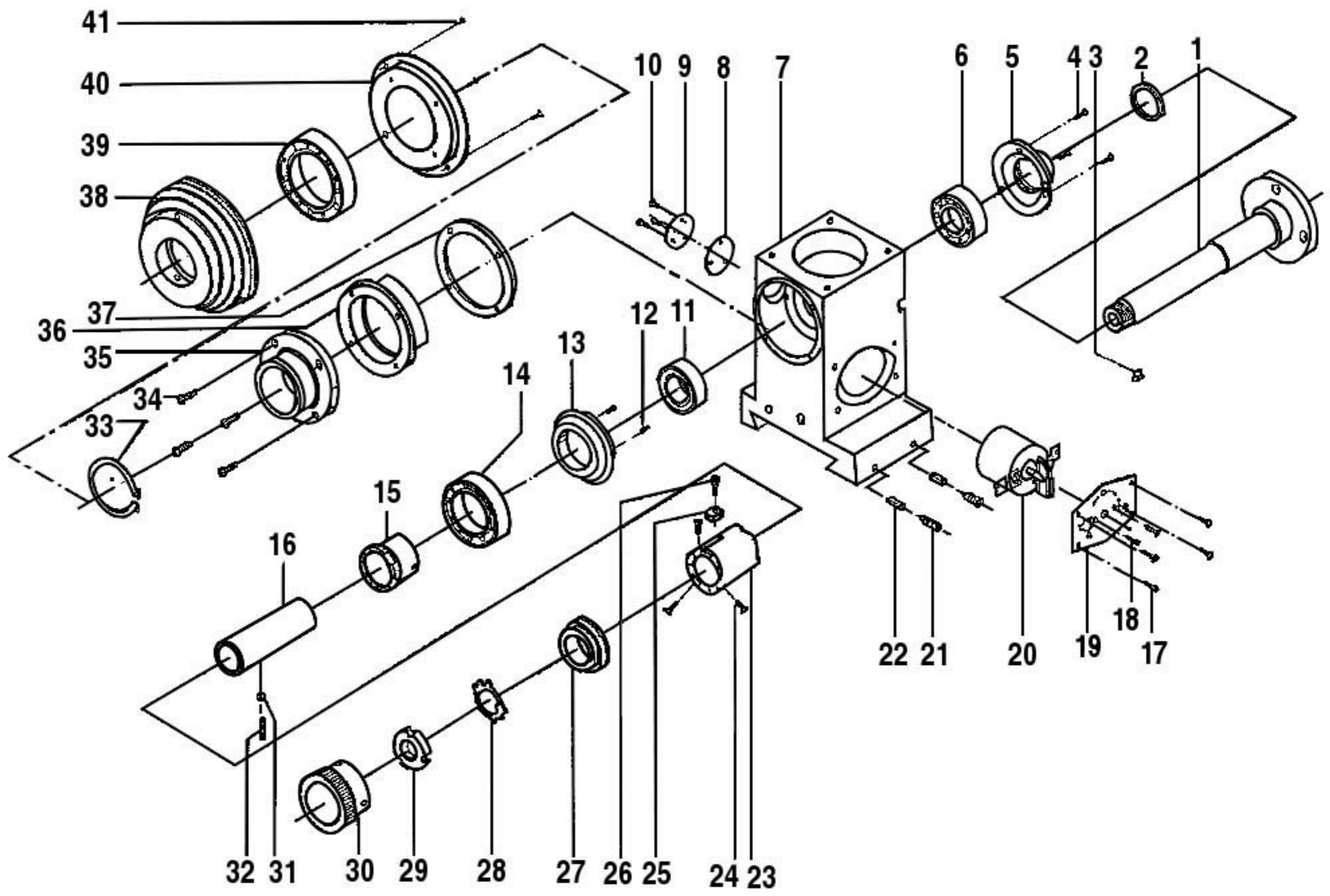


Tailstock Assembly (CM-1114)

Diagram Number	Part Number	Reference Number	Description
1	C30046		Tailstock Carriage
2	S21040	(S21211)	T-key
3	S11642	M5x10 GB71	Cone-Point Setscrew
4	C30485	MT2	Tailstock-Center Sleeve
5	C30048		Tailstock Nut
6	S12291	M8x20 GB70	Hexagon Socket-Head Screw
7	S12190	6x30 GB117	Taper Pin
8	C30049		Lower Locking Nut
9	C30050	6 GB1155	Oilcup
10	C30051		Upper Locking Nut
11	C30052		Handle Seat
12	C30053	M8x50 GB4141.15	Handle Lever
13	C30054	M8x40 GB4141.14	Long Handle Knob
14	S11952	M6x12 GB71	Cone-Point Setscrew
15	C30055		Tailstock
16	C30056		Tailstock Screw Stem
17	C30057		Gib

Diagram Number	Part Number	Reference Number	Description
18	S21110	4x18 GB1096	Plain Parallel Key
19	C30058		Sleeve
20	S12318	M8x25 GB79	Hexagon Socket Setscrew
21	S22420		Locking Pin
22	C30212		Dial
23	S12568	M10x14 GB79	Hexagon Socket Setscrew
24	C30059	12x100 GB4141.22	Handwheel
25	S18160	M10 GB923	Domed-Cap Nut
26	C30060	M6x50 Gb4141.5	Handle Sleeve
(1-26)	C39006		Assembled Tailstock (Non-Offset)

Lathe Head (CM-1114)



Lathe Head (CM-1114)

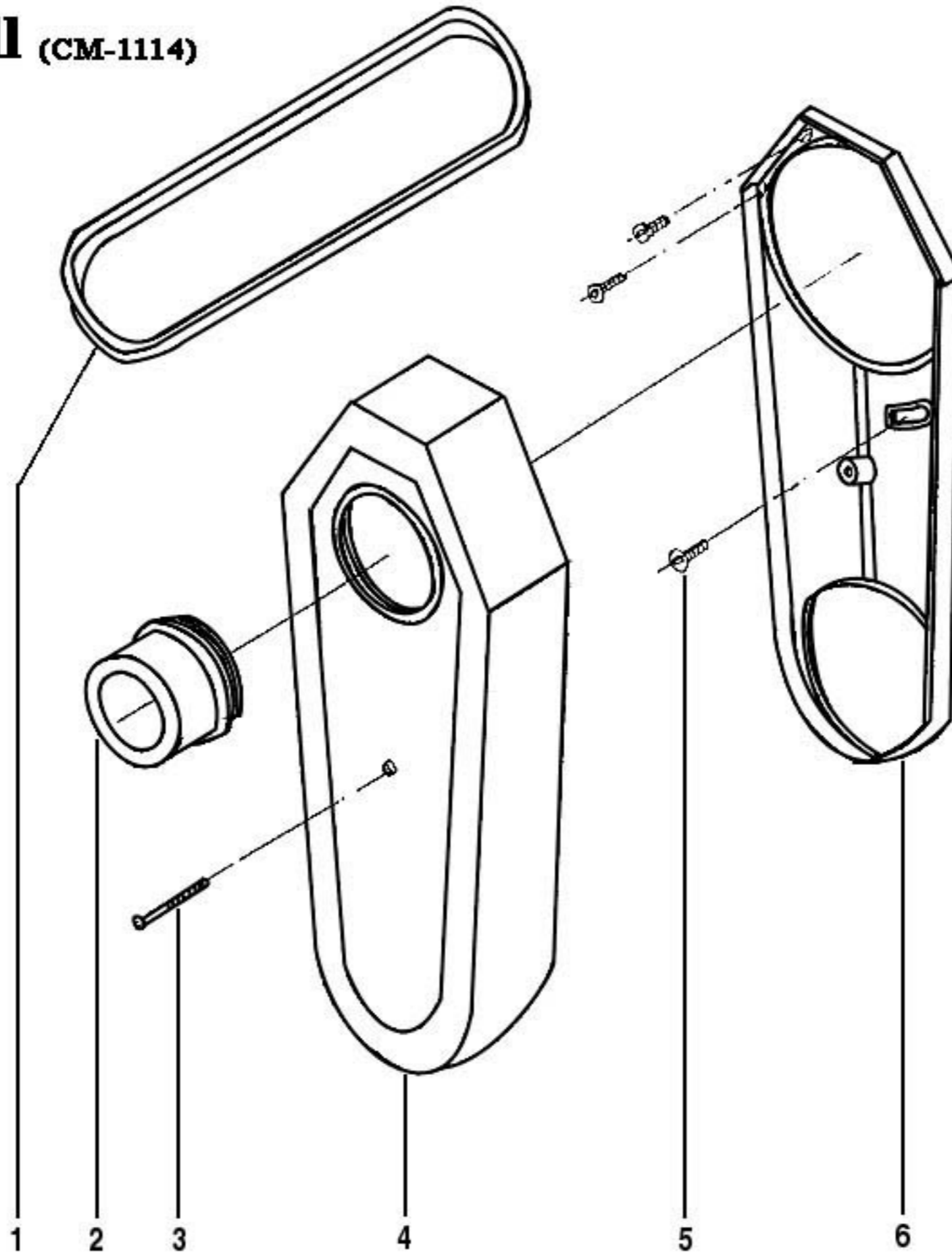
Diagram Number	Part Number	Reference Number	Description
1	C30493		Lathe Spindle
2	C30014		Felt Collar
3	S21768	8x10 GB1096	Plain Parallel Key
4	S11343	M4x10 GB69	Raised Countersunk-Head Screw
5	C30494		Mainshaft-Bearing Oil Seal
6	S20620	D2007107	Single-Row Tapered Roller Bearing
7	C30495		Lathe Head
8	C30496		Packing Paper
9	C30497		Cup
10	S11315	M4x6 GB67	Round-Head Screw
11	C30498	2007106	Single-Row Tapered Roller Bearing
12	S11642	M5x10 GB71	Cone-Point Setscrew
13	C30115		Bevel Gear
14	C30499	110	Single-Row Ball Bearing
15	C30500		Right Jaw Clutch
16	C30501		Shaft Sleeve
17	S11345	M4x10 GB67	Round-Head Screw

Diagram Number	Part Number	Reference Number	Description
18	S11345	M4x10 GB67	Round-Head Screw
19	C30502		Switch Label
20	C30503	HZ10-10p/4th	Combined Switch
21	S12568	M10x14 GB79	Hexagon-Socket Setscrew
22	S22420		Locking Pin
23	C30504		Jaw Clutch
24	S11343	M4x10 GB69	Raised Countersunk- Head Screw
25	S21950		Key
26	S11905	M5x12 GB65	Fillister-Head Screw
27	C30505		Left Jaw Clutch
28	C30506	27 GB858	Circular Nut Lockwasher
29	C30507	27x1.5 GB812	Round Nut
30	C30111		Clutch Sleeve
31	C30199	5 GB308	Steel Ball
32	C30107		Spring
33	S23410	65 GB894	External Snap Ring

Lathe Head (CM-1114)

Diagram Number	Part Number	Reference Number	Description
34	S11994	M6x20 GB65	Cheese-Head Screw
35	C30508		Pulley Seat
36	C30509		Bearing Seat
37	C30510		Packing Paper
38	C30511		Input Pulley
39	S20680	113	Single-Row Ball Bearing
40	C30512		Bearing Retaining Cap
41	S11315	M4x6 GB67	Round-Head Screw

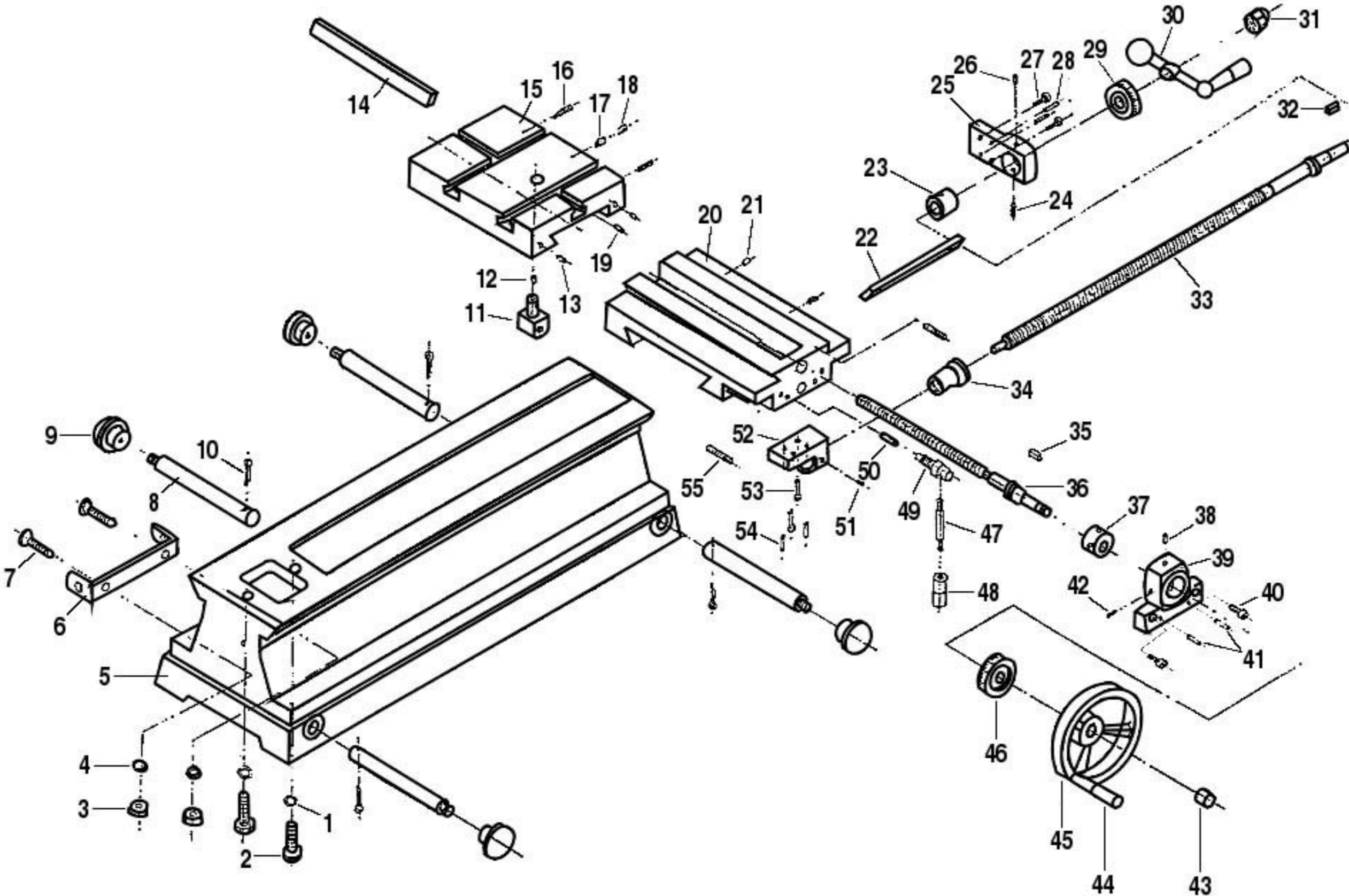
Lathe Pulley Shell (CM-1114)



Lathe Pulley Shell (CM-1114)

Diagram Number	Part Number	Reference Number	Description
1	81-102	900	V-Belt
2	C30515		Lathe Spindle Cup
3	S11785	M5x60 GB67	Round-Head Screw
4	C30513		Pulley Shell
5	S11965	M6x14 GB67	Round-Head Screw
6	C30514		Pulley Shell Bottom

Bed and Carriage (CM-1114)



For Assistance: Please call toll free number 1-800-476-4849

Bed and Carriage (CM-1114)

Diagram Number	Part Number	Reference Number	Description
1	S18165	10 GB93	Spring Washer
2	S12620	M 10x35 GB30	Hexagon-Head Bolt
3	S18155	BM10 GB52	Hexagon Nut
4	S18165	10 GB93	Spring Washer
5	C30486		Bed
6	C30062		Pedestal
7	S12623	M 10x30 GB68	Countersunk-Head Screw
8	C30063		Dead-Load Lever
9	C30030		Cone Knob
10	S22540	3x25 GB91	Split Pin
11	C30213		Nut
12	C30050	6 GB1155	Oilcup
13	C30035	8 GB1155	Oilcup
14	C30473		Chock
15	C30064		Workbench
16	S12328	M8x30 GB79	Hexagon Socket Setscrew
17	S22420		Locking Pin

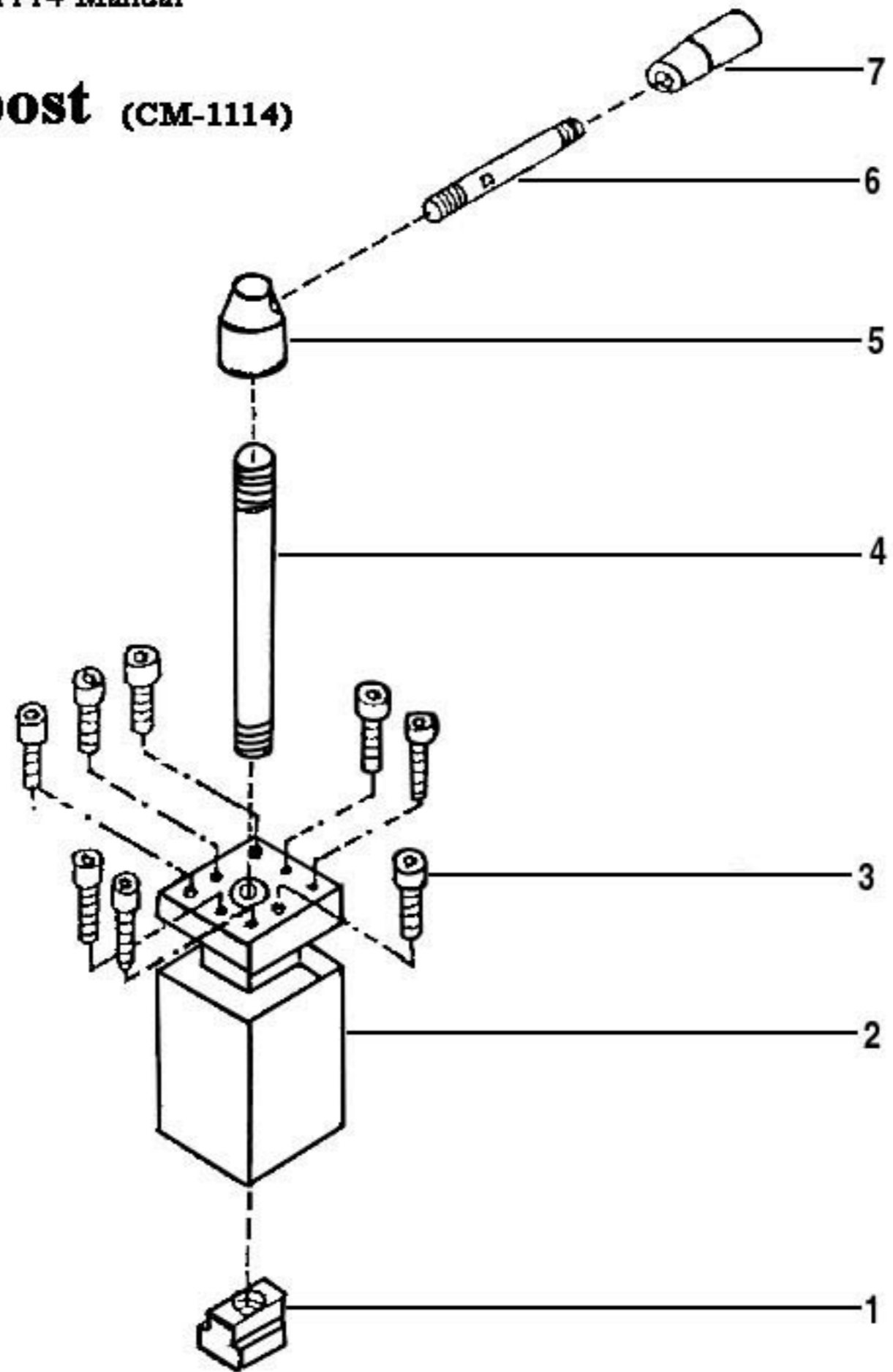
Diagram Number	Part Number	Reference Number	Description
18	S12568	M 10x14 GB79	Hexagon Socket Setscrew
19	S11952	M6x12 GB71	Cone Point Setscrew
20	C30065		Carriage
21	C30035	8 GB1155	Oilcup
22	C30066		Chock
23	C33066		Longitudinal Screw Stem Bush Bearing
24	S11948	M6x10 GB71	Cone-Point Setscrew
25	C30068		Trestle
26	C30050	6 GB1155	Oilcup
27	S11971	M6x16 GB70	Hexagon Socket-Head Screw
28	S22170	5x20 GB117	Taper Pin
29	C30069		Dial
30	C30070	12x50 GB4141.9	Ball-Crank Handle
31	S18190	M10 GB923	Plain Parallel Key
32	S21140	4x18 GB1096	Plain Parallel Key
33	C30487		Longitudinal-Feed Screw

Bed and Carriage (CM-1114)

Diagram Number	Part Number	Reference Number	Description
34	C30488		Longitudinal-Feed Nut
35	S21140	4x18 GB1090	Plain Parallel Key
36	C30489		Cross-Feed Screw
37	C30073		Bush Bearing
38	C30035	8 GB1155	Oilcup
39	C30076		Cross-Feed Screw Seat
40	S12271	M8x16 GB70	Hexagon Socket-Head Screw
41	S12270	5x20 GB117	Taper Pin
42	S11952	M6x12 GB71	Cone-Point Setscrew
43	S18160	M10 GB923	Domed-Cap Nut
44	C30060	M8x63 GB4141.5	Handle with Sleeve
45	C30059	12x125 GB4141.22	Handwheel
46	C30214		Dial
47	C30032	M6x40 GB4141.15	Handle Lever
48	C30033	M6x36 GB4141.14	Long-Sleeve Knob
49	C30077		Locking Handle Seat
50	S22420		Locking Pin

Diagram Number	Part Number	Reference Number	Description
51	S11948	M6x10 GB71	Cone-Point Setscrew
52	C30490		Longitudinal Nut Seat
53	S11971	M6x10 GB71	Hexagon Socket-Head Screw
54	S22170	5x20 GB117	Taper Pin
55	S12338	M8x35 GB79	Hexagon Socket Setscrew

Straight-Up Toolpost (CM-1114)



Straight-Up Toolpost (CM-1114)

Diagram Number	Part Number	Reference Number	Description
1	C30516		T-Slide
2	C30517		Toolpost
3	S12311	M8x25 GB70	Hexagon Socket-Head Screw
4	C30518		Stud
5	C30185		Handle Seat
6	C30053	M8x50GB4141.15	Handle Lever
7	C30054	M8x40GB4141.14	Long Sleeve Knob
(1-7)	45-000		Toolpost