



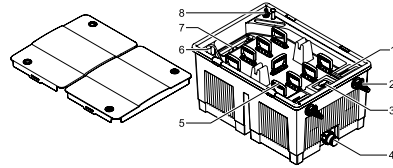
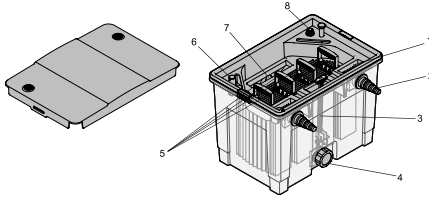
Oase
LIVING WATER



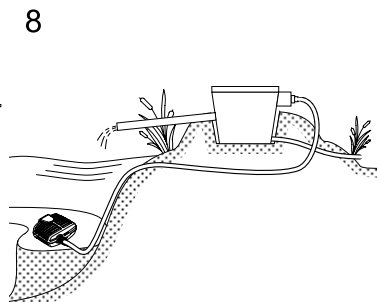
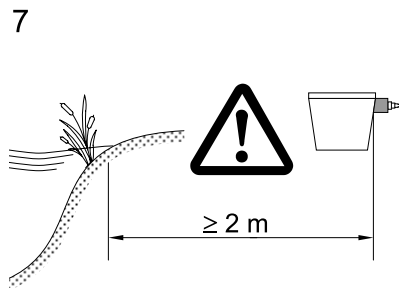
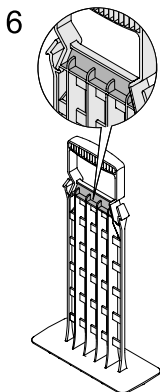
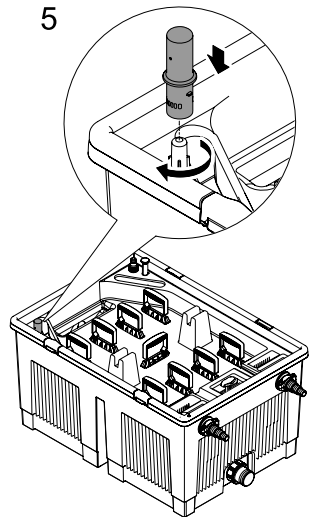
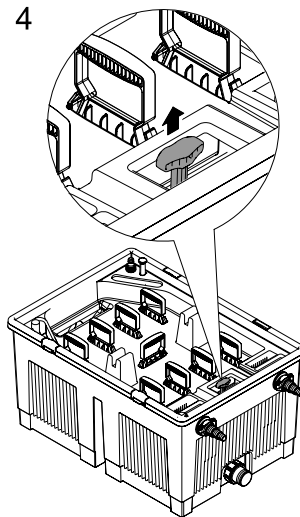
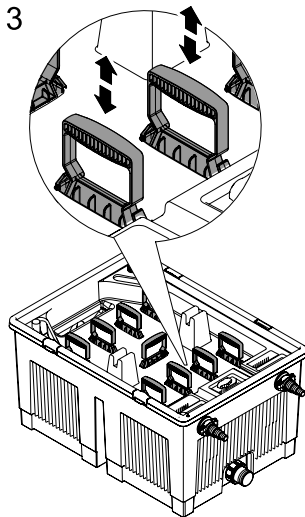
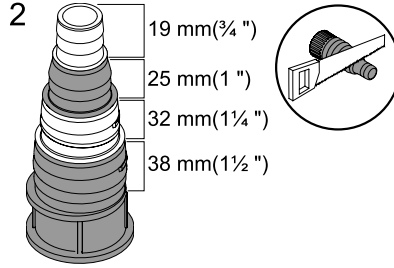
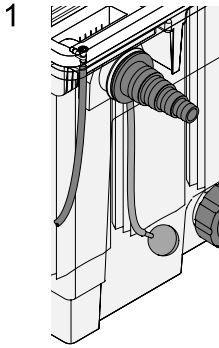
BioSmart 18000 / 36000

DE Gebrauchsanleitung
GB Operating instructions
FR Notice d'emploi
NL Gebruiksaanwijzing
ES Instrucciones de uso
PT Instruções de uso
IT Istruzioni d'uso
DK Brugsanvisning
NO Bruksanvisning
SE Bruksanvisning
FI Käyttöohje
HU Használati útmutató
PL Instrukcja użytkowania
CZ Návod k použití
SK Návod na použitie
SI Navodila za uporabo
HR Uputa o upotrebi
RO Instrucțiuni de folosință
BG Упътване за употреба
UA Посібник з експлуатації
RU Руководство по эксплуатации
CN 使用说明书





	1	2	3	4	5	6	7	8
DE	Behälter für Teichzusätze	Wasserzulauf	Absperrschieber	Schmutzablauf	Filterreinigung Grifffunktion	Wasserstands-melder	Wasserablauf	Frischwasser-zulauf
GB	Container for pond additives	Water supply	Slide valve	Sludge drain	Filter cleaning Handle function	Water level indicator	Water drain	Fresh water supply
FR	Réceptient pour additifs	Arrivée d'eau	Vanne d'arrêt	Sortie des impuretés	Nettoyage de filtre avec poignée	Signalisation de niveau d'eau	Sortie d'eau	Alimentation en eau fraîche
NL	Container voor vijvertoebehoren	Watertoevoer	Schuifafsluiter	Vuilafvoer	Filterreining Greepfunctie	vuilgraadmeter	Waterafvoer	Leidingwater-toevoer
ES	Recipientes para los complementos de estanque	Entrada de agua	Válvula de cierre	Salida de agua sucia	Limpeza del filtro Función de manejo	Indicador del nivel de agua	Salida de agua	Entrada de agua fresca
PT	Câmara para aditivo	Entrada de água	Obturador	Descarga de impurezas	Limpeza do filtro Puxadores	Indicador de nível de água	Saída de água	Entrada de água fresca
IT	Recipiente per additivi per laghetto	Afflusso di acqua	Valvola di chiusura	Scarico dello sporco	Pulitura filtri funzione maniglia di pulitura	Segnalatore livello dell'acqua	Scarico dell'acqua	Afflusso acqua fresca
DK	Beholder til bassintilsætningsmidler	Vandtilfø	Spærreskyder	Smudsaføb	FilterrensningHåndtagenes funktion	Vandstandsviser	Vandaføb	Friskvandstilfø
NO	Beholder for damtilsetninger	Vanninnløp	Skyventil	Smussavløp	Filterrensing Grepfunksjon	Vannstand-indikator	Vannavløp	Friskvanntilførsel
SE	Behållare för damtillsatser	Vatteninlopp	Spärrlock	Smutsavlöpp	Filterrensning handtags-funktion	Vatten-mätare	Vattenutlopp	Färskvatten-tillopp
FI	Lammikkolisäai-neiden astia	Vedentulo	Sulkuluistin	Lianpoisto	Suodattimen puhdistus Kahvan toiminto	Vedenpintail-maisin	Vedenpoisto	Puhtaan veden tulo
HU	Tartály a tóhoz használt adalékokhoz	Vízbetáplálás	Tolózá	Szennylefolyó	Szűrőtisztítókar	Vízszintjelző	Vízkivezetés	Frissvíz-betáplálás
PL	Pojemnik na dodatki do wody stawowej	Dopływ wody	Zasuwa odcinająca	Odpływ zanieczyszczeń	Oczyszczanie filtra Uchwyt funkcyjny	Wskaźnik poziomu wody	Odpływ wody	Dopływ świeżej wody
CZ	Nádoba na přísady pro jezírka	Přítok vody	Uzavírací šoupátko	Odtok nečistot	Čištění filtru Funkce držadla	Ukazatel stavu vody	Odtok vody	Přítok čerstvé vody
SK	Nádoba na přísady pre jazierka	Pritok vody	Uzatvárací posúvadlový uzáver	Odtok nečistôt	Čistenie filtra Funkcie držadla	Ukazateľ stavu vody	Odtok vody	Pritok čerstvej vody
SI	Posoda za ribniške dodatke	Vodni dotok	Zaporni drsnik	Odtok umazane vode	Čiščenje filtra Funkcija ročaja	Vodokaz	Odtok vode	Dotok sveže vode
HR	Spremnik za dodatke za jezersku vodu	Dovod vode	Zaporni potisnik	Odvod prljavšti-ne	Filterarsko čišćenje Funkcija držača	Pokazivač razine vode	Ispust vode	Dovod svježe vode
RO	Recipient pentru anexe	Componenta de admisie a apei	Obturator	Evacuarea murdăriei	Curățarea filtrului Funcția mânerului	Indicator de stare a apei	Evacuarea apei	Admisia apei curate
BG	Резервоар за добавки за водни басейни	Вход за водата	Спирателен шибър	Изход за мръсотията	Почистване на филтърфункция и на ръкохватката	Индикатор за нивото на вода	Изход за водата	Вход за чиста вода
UA	Резервуар для добавок	Подача води	Засувка	Стік для брудної води	Чистення фільтра Ручки	Індикатор рівня води	Стік води	Подача чистої води
RU	Емкость для прудовых добавок	Подача воды	Запорный шибер	Сток грязи	Чистка фильтра Функция ручки	Сигнализатор уровня воды	Сток воды	Подача свежей воды
CN	用于池塘附加装置的容器	水入口	闸阀	排污口	过滤器清洗手柄功能	水位指示器	排水口	新鲜水进口



Translation of the original Operating Instructions

Information about these operating instructions

Welcome to OASE Living Water. You made a good choice with the purchase of this product **BioSmart 18.000/36.000**. Prior to commissioning the unit, please read the instructions of use carefully and fully familiarise yourself with the unit. Ensure that all work on and with this unit is only carried out in accordance with these instructions.

Adhere to the safety information for the correct and safe use of the unit.

Keep these instructions in a safe place! Please also hand over the instructions when passing the unit on to a new owner.

Symbols used in these instructions

The symbols used in this operating manual have the following meanings:



Risk of injury to persons due to dangerous electrical voltage

This symbol indicates an imminent danger, which can lead to death or severe injuries if the appropriate measures are not taken.



Risk of personal injury caused by a general source of danger

This symbol indicates an imminent danger, which can lead to death or severe injuries if the appropriate measures are not taken.



Important information for trouble-free operation.

Intended use

BioSmart 18.000/36.000, in the following termed "unit", and all other parts from the delivery scope may be used exclusively as follows:

- For mechanical and biological cleaning of garden ponds
- Operation under observance of the technical data.

The following restrictions apply to the unit:

- Never use the unit to convey fluids other than water.
- Do not use for commercial or industrial purposes.
- Do not use in conjunction with chemicals, foodstuff, easily flammable or explosive substances.

Safety information

Hazards to persons and assets may emanate from this unit if it is used in an improper manner or not in accordance with its intended use, or if the safety instructions are ignored.

This unit can be used by children from the age of 8 and by persons with physical, sensory or mental impairments or lack of experience and knowledge, as long as they are supervised or instructed on how to use the unit safely and are able to understand the potential hazards. Do not allow children to play with the unit. Do not allow children to clean or maintain the unit without close supervision.

Hazards encountered by the combination of water and electricity

- The combination of water and electricity can lead to death or severe injury from electrocution, if the unit is incorrectly connected or misused.
- Prior to reaching into the water, always switch off the mains voltage to all units used in the water.

Safe operation

- Only use original spare parts and accessories for the unit.
- Never carry out technical modifications to the unit.
- Only have repairs carried out by customer service points authorised by OASE.
- Ensure that the filter will not overflow. Danger of emptying the pond.

Installation

Lay the outlet pipe for the water outlet into the pond and the hose for the sludge drain into the sewage system or flower bed (8) with a sufficient gravity (i.e. slightly downhill). Place the unit at a flood protected position at a distance from the pond edge (7) of at least 2m on a firm and level ground. Ensure unrestricted access to the cover to be able to carry out work on the unit. To avoid pressure loss, use hose connections which are as short as possible and have a maximum internal diameter; avoid bends and lay well protected, saw off the open stepped hose nozzle (2) at the corresponding mark. Push or turn the hose for the water inlet onto the open stepped hose nozzle and secure with a hose clip. Place a flat sealing ring on the thread of the stepped hose nozzle, push the thread of the stepped hose nozzle through the water inlet, insert an O ring on the thread from inside, screw the inlet nozzle on the stepped hose nozzle from inside ensuring that the opening points downward. Close the second water inlet with the closed hose nozzle (except when fitting an **OASE** UVC pre-clearing unit, e.g. Bitron C, Vitronic 18-36). Lay the hose so that it cannot be stepped on, avoid kinks and connect it to the pump. During normal filter operation, the sludge drain should be closed using the cover cap. To permanently fit a 2" hose to the sludge drain, unscrew the cover cap from the dirt drain, push the union nut over the 2" hose nozzle, push on the hose and secure with the hose clip, insert the flat sealing ring in the union nut and firmly screw-tighten the 2" hose nozzle including the union nut on the dirt drain. As an option, you can permanently fit a 1/2" connection for a garden hose to the fresh water connection (1) and to connect the **OASE** pond aerator AquaOxy to the air connection to ensure an adequate oxygen supply to the pond.

Start-up

Prior to starting up the unit, check that all clamps on the internal cover are closed. The clamps for pond additives can be used to supply additives such as filter starters to the filter and the pond (optional). Switch the pump on. Note: The BioSmart filter is a biological filter system and requires several weeks after its first installation to reach its full biological effect, and must be run continuously to retain the biological efficiency.

Maintenance and cleaning



Attention! Dangerous electrical voltage.

Possible consequences: Death or severe injury.

Protective measures:

- Electrical units and installations with a rated voltage of $U > 12 \text{ V AC}$ or $U > 30 \text{ V DC}$ located in the water: Isolate the units and installations (switch off and disconnect from the power supply) before reaching into the water.
- Isolate the unit before starting any work.
- Secure the unit to prevent unintentional switching on.

Only clean the unit when required, do not use chemical cleaning agents to permit the filter biology to optimally develop, knowing that cleaning agents kill the bacteria in the foam filters. Clean the filter system immediately when the float switch in the water level indicator becomes visible from outside. Switch off the pump and open the unit cover.

Cleaning foam filters

To mechanically clean the foam filters, pull on the cleaning handles and "pump" (3) several times neither too strong nor too fast. If necessary, unscrew the cover cap from the sludge drain, open the slide valve (4), allow the water to drain completely, close the slide valve again; repeat the cleaning process 2 to 3 times, if necessary. If necessary, remove the foam filters and clean more thoroughly in a bucket of pond water. To this effect, press the engagement of the cleaning handles to the side until the connection to the inner cover disengages. Release the clamps at the inner cover and remove cover. Pull the foam filters from the foam filter holder (6), spray clean the container, the inner cover, the cover and the foam filters with clean water. Reinsert the cleaned foam filters in the foam filter holders (the green foam filter in the black foam holder). Pull the handles of the foam filter holders through the slots in the inner cover from below until the foam filter holders engage. Insert the inner cover into the filter container and fold over all clamps, fit filter cover and switch on the pump. Replace the foam filters if the float switch of the water level indicator keeps showing a medium to heavy soiling following the cleaning process.

Cleaning the water level indicator

Turn the water level indicator counter-clockwise (5) through approx. 30° and pull out of the inner cover. Remove the plug and the float switch out of the housing of the water level indicator and clean using clear water. Reassemble in the reverse order such that the float switch can move freely in the housing.

Storage/Over-wintering

- Put the unit out of operation at water temperatures below 8 °C or, at the latest, when freezing temperatures are to be expected.
- Drain and thoroughly clean the unit, check for damage.
- Remove, clean, dry and store all filters in a frost-free environment.
- Ensure that the storage place is inaccessible to children.
- Cover the filter container such that the ingress of rain water is excluded.
- Drain all hoses, pipes and connections as far as possible.

Malfunctions

Trouble shooting	Cause	Remedy
Water stays cloudy	<ul style="list-style-type: none">- Unit has been in operation only for a short time- Inadequate pump capacity- Water extremely soiled- Excessive fish and animal population- Foam filters soiled	<ul style="list-style-type: none">- The complete biological cleaning effect is only achieved after several weeks- Readjust the pump capacity- Remove algae and leaves from the pond, perform a partial water change- Guide value: approx. 60 cm fish length on 1 m³ pond water- Clean foam filters

Wear parts





Foam filters are wear parts and are excluded from the warranty.

Disposal

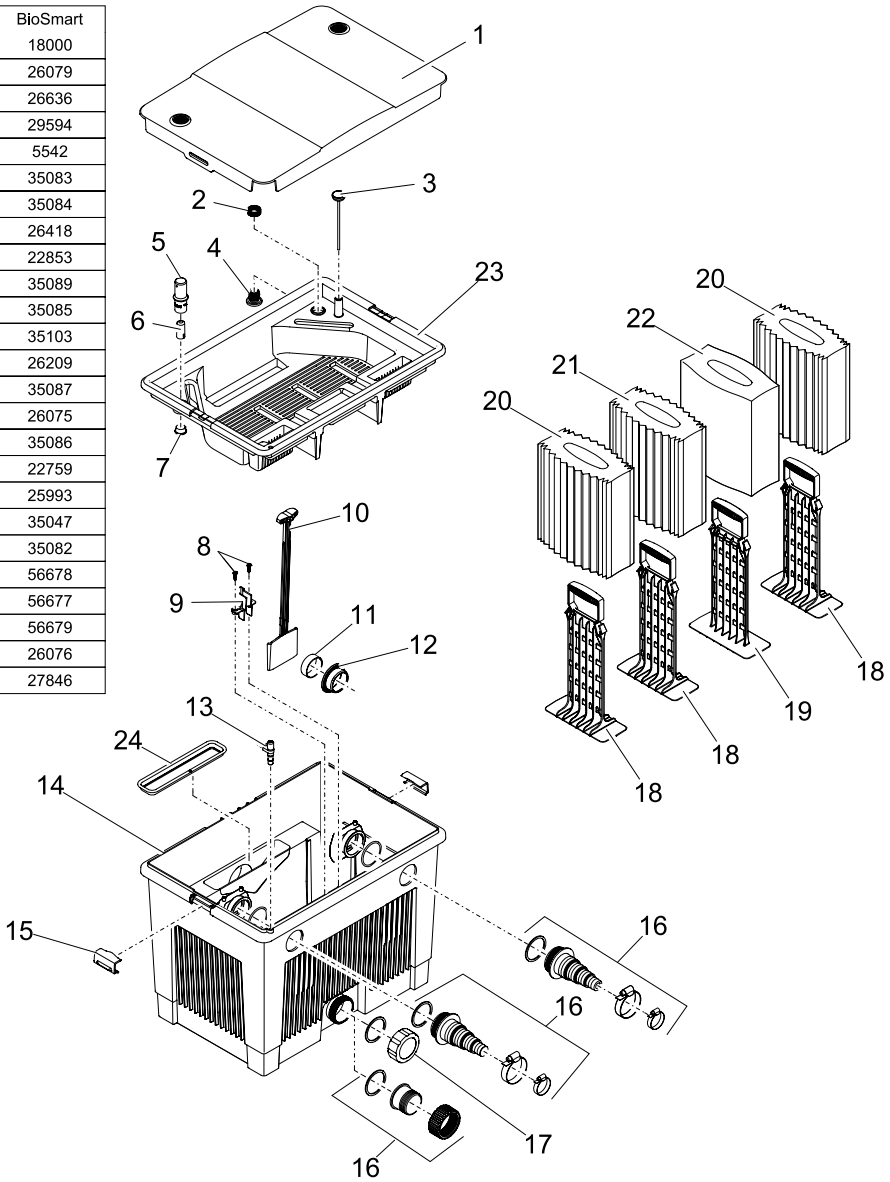


Do not dispose of this unit with domestic waste! For disposal purposes, please use the return system provided. Disable the unit beforehand by cutting off the cables.

DE	Typ	Abmessungen	Gewicht	Wasserdurchfluss	Anschlüsse	Wasserablauf	Schmutzablauf	Filterschwämme (blau)	Filterschwämme (rot)	Filterschwämme (grün)	Wassertemperatur
GB	Type	Dimensions	Weight	Water flow	Connections	Water drain	Sludge drain	Foam filters (blue)	Foam filters (red)	Foam filters (green)	Water temperature
FR	Type	Dimensions	Poids	Débit d'eau	Raccordements	Sortie d'eau	Sortie des impuretés	Eponges filtrantes (bleu)	Eponges filtrantes (rouge)	Eponges filtrantes (vert)	Température de l'eau
NL	Type	Afmetingen	Gewicht	Doorsromend water	Aansluitingen	Waterafvoer	Vuilafvoer	Filterschuimen (blauw)	Filterschuimen (rood)	Filterschuimen (groen)	Watertemperatuur
ES	Tipo	Dimensiones	Peso	Caudal de agua	Conexiones	Salida de agua	Salida de agua sucia	Elementos de espuma filtrantes (azul)	Elementos de espuma filtrantes (rojo)	Elementos de espuma filtrantes (verde)	Temperatura del agua
PT	Tipo	Dimensões	Peso	Caudal	Conexões	Saída de água	Descarga de impurezas	Filtros de espuma (azul)	Filtros de espuma (vermelho)	Filtros de espuma (verde)	Temperatura da água
IT	Tipo	Dimensioni	Peso	Flusso d'acqua	Allacciamenti	Scarico dell'acqua	Scarico dello sporco	Elementi filtranti (blu)	Elementi filtranti (rosso)	Elementi filtranti (verde)	Temperatura dell'acqua
DK	Type	Dimensioner	Vægt	Vandgennemstrømning	Tilslutninger	Vandaflob	Smutsaflob	Filter (blåt)	Filter (rødt)	Filter (grønt)	Vandtemperatur
NO	Type	Mål	Vekt	Vanngjennomstrømning	Tilkoblinger	Vannavlop	Smutsavlopp	Filtervamp (blå)	Filtervamp (rød)	Filtervamp (grønn)	Vanntemperatur
SE	Type	Mått	Vikt	Vattenflöde	Anslutningar	Vattenutlopp	Smutsavlopp	Skumfilter (blå)	Skumfilter (röda)	Skumfilter (gröna)	Vattentemperatur
FI	Tyyppi	Mitat	Paino	Veden läpivirtaus	Liitännät	Vedenpoisto	Lämpöpoisto	Suodainseinät (sininen)	Suodainseinät (punainen)	Suodainseinät (vihreä)	Veden lämpötila
HU	Típus	Méreték	Súly	Vízátfolyás	Csatlakozások	Vízkivezetés	Szennyelöfolyó	Szűrőhabok (kék)	Szűrőhabok (piros)	Szűrőhabok (zöld)	Víz hőmérséklet
PL	Typ	Wymiary	Ciężar	Przepływ wody	Przyłącza	Odpływ wody	Odpływ zanieczyszczeń	Pianka filtracyjna (niebieska)	Pianka filtracyjna (czerwona)	Pianka filtracyjna (zielona)	Temperatura wody
CZ	Typ	Rozměry	Hmotnost	Průtok vody	Připojky	Odtok vody	Odtok nečistot	Filtrační pěnové vložky (modré)	Filtrační pěnové vložky (červené)	Filtrační pěnové vložky (zelené)	Teplota vody
SK	Typ	Rozmery	Hmotnosť	Prítok vody	Pripojky	Odtok vody	Odtok nečistôt	Filtračné peny (modré)	Filtračné peny (červené)	Filtračné peny (zelené)	Teplota vody
SI	Tip	Dimenzije	Teža	Vodni pretok	Priključki	Odtok vode	Odtok umazane vode	Filtrirne gobe (modre)	Filtrirne gobe (rdence)	Filtrirne gobe (zelenne)	Temperatura vode
HR	Tip	Dimenzije	Masa	Protok vode	Priključci	Ispust vode	Odvod prljavštine	Plavi pjenašti filtri	Crveni pjenašti filtri	Zeleni pjenašti filtri	Temperatura vode
RO	Tip	Dimensiuni	Masă	Debitul de apă	Conexiuni	Evacuarea apei	Evacuarea murdăriei	Bureți de filtrare (albaștri)	Bureți de filtrare (roși)	Bureți de filtrare (verzi)	Temperatura apei
BG	Тип	Размери	Тегло	Воден дебит	Връзки	Изход за водата	Изход за мръсотията	Филтриращи гъби (сини)	Филтриращи гъби (червени)	Филтриращи гъби (зелени)	Температурата на водата
UA	Тип	Розміри	Вага	Протік води	Підключення	Стік води	Стік для брудної води	Фільтруювальні губки (сині)	Фільтруювальні губки (червоні)	Фільтруювальні губки (зелені)	Температура води
RU	Тип	Размеры	Вес	Проток воды	Соединения	Сток воды	Сток грязи	Фильтровальные губки (синие)	Фильтровальные губки (красные)	Фильтровальные губки (зеленые)	Температура воды
CN	型号	尺寸	重量	水流量	接头	排水	排污	过滤海绵 (蓝色)	过滤海绵 (红色)	过滤海绵 (绿色)	水温
BioSmart	18.000 36.000	382 x 555 x 408 mm 767 x 555 x 408 mm	5.08 kg 10,7 kg	max. 5.500 l/h max. 8.000 l/h	1" - 1 1/2"	DN 75	2"	2	1	1	min. +8 °C

				
DE	Vor direkter Sonneneinstrahlung schützen.	Bei Frost, das Gerät deinstallieren!	Nicht mit normalem Hausmüll entsorgen!	Achtung! Lesen Sie die Gebrauchsanleitung
GB	Protect from direct sun light.	Remove the unit at temperatures below zero (centigrade).	Do not dispose of together with household waste!	Attention! Read the operating instructions
FR	A protéger du rayonnement solaire direct.	Retirer l'appareil en cas de gel	Ne pas recycler dans les ordures ménagères !	Attention ! Lire la notice d'emploi
NL	Beschermen tegen rechtstreeks zonlicht.	Bij vorst het apparaat deïnstalleren!	Niet bij het normale huisvuil doen!	Let op! Lees de gebruiksaanwijzing
ES	Protégase contra la radiación directa del sol	Desinstale el equipo en caso de heladas.	¡No deseche el equipo en la basura doméstica!	¡Atención! Lea las instrucciones de uso
PT	Proteger contra radiaçãosolar directa.	Em caso de geada, desinstalar o aparelho!	Não deitar ao lixo doméstico!	Atenção! Leia as instruções de utilização
IT	Proteggere contro radiazione solare diretta.	In caso di gelo disinstallare l'apparecchio!	Non smaltire con normali rifiuti domestici!	Attenzione! Leggete le istruzioni d'uso!
DK	Beskyt mod direkte solindstråling.	Afmontér apparatet ved frostvejrt!	Må ikke bortskaffes med det almindelige husholdningsaffald!	OBS! Læs brugsanvisningen
NO	Beskytt mot direkte solstråling.	Ved frost, demonter apparatet!	Ikke kast i alminnelig husholdningssavfall!	NB! Les bruksanvisningen
SE	Skyddas mot direkt solstråling.	Demontera apparaten innan forsta frosten!	Får inte kastas i hushållssoporna!	Varning! Läs igenom bruksanvisningen
FI	Suojattava suoralta auringonvalolta.	Laite on purettava ennen pakkaaia.	Ei saa hävittää tavallisen kotitalousjätteen mukana!	Huomio! Lue käyttöohje
HU	Óvni kell a közvetlen napsugárzástól.	Fagy esetén a készüléket le kell szerelni!	A készüléket nem a normál háztartási szeméttel együtt kell megsemmisíteni!	Figyelem! Olvassa el a használati útmutatót
PL	Chronić przed bezpośrednim działaniem promieni słonecznych.	W razie mrozu zdeinstalować urządzenie!	Nie wyrzucać wraz ze śmiećiami domowymi!	Uwaga! Przeczytać instrukcję użytkowania!
CZ	Chránit před přímým slunečním zářením.	Při mrazu přístroj odinstalovat!	Nelikvidovat v normálním komunálním odpadu!	Pozor! Přečtete Návod k použití!
SK	Chrániť pred priamym slnečným žiarením.	Pri mraze prístroj odinštalovať!	Nelikvidovať v normálnom komunálnom odpade!	Pozor! Prečítajte si Návod na použitie
SI	Pred direktnimi sonnimi -žarki-zašitite.	Ob zmrzali demontirajte napravo!	Ne zavržite skupaj z gospodinjiskimi odpadki!	Pozor! Preberite navodila za uporabo!
HR	Zaštititi od izravnogsunčevog zračenja.	U slučaju mraza deinstalirajte uređaj!	Nemojte ga bacati u običan kućni otpad!	Pažnja! Pročitajte upute za upotrebu!
RO	Protejați de razele directe ale soarelui.	În perioadele cu îngheț dezinstalați aparatul !	Nu aruncați în gunoii menajer !	Atenție ! Citiți instrucțiunile de utilizare !
BG	Предпазвайте от директнопопадане на слънчеви лъчи.	При опасност от измръзване деинсталирайте уреда!	Не изхвърляйте заедно с обикновения домакински боклук!	Внимание! Прочетете упътването
UA	Охороняти від прямого сонячного випромінювання.	Перед морозами пристрій необхідно демонтувати	Не викидайте разом із побутовим сміттям!	Увага! Читайте інструкцію.
RU	Защищать от прямого воздействия солнечных лучей.	При наступлении морозов прибор демонтировать!	Не утилизировать вместе с домашним мусором!	Внимание! Прочитайте инструкцию по использованию
CN	防止阳光直射。	霜冻时，拆卸设备！	不要同普通的家庭垃圾一起处理!	注意! 请阅读使用说明书。

Pos.	BioSmart 18000
1	26079
2	26636
3	29594
4	5542
5	35083
6	35084
7	26418
8	22853
9	35089
10	35085
11	35103
12	26209
13	35087
14	26075
15	35086
16	22759
17	25993
18	35047
19	35082
20	56678
21	56677
22	56679
23	26076
24	27846



Pos.	BioSmart
1	36000
1	26079
2	26214
3	26636
4	26970
5	5542
6	35083
7	35084
8	26418
9	22853
10	35089
11	35085
12	35103
13	26209
14	26077
15	35086
16	22759
17	25993
18	35047
19	35082
20	56678
21	56677
22	56679
23	26078
24	35087
25	27846

