

Assembled Micro Sprays.



360°



180°



90°



Strip

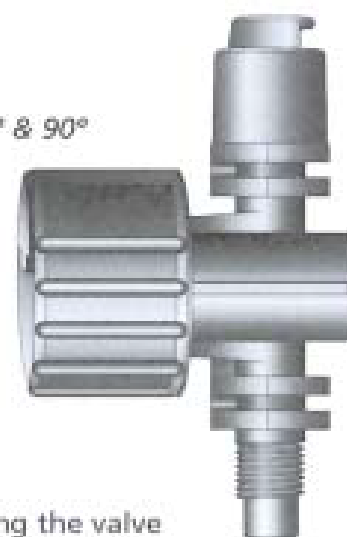


Mister

Directional spray jets

Vari-Jet™ 360°, 180° & 90°

Multi purpose, multi directional spray jets featuring two piece cap and nozzle snap fit construction, with 4mm (nominal) threaded inlet.



■ Operation

Radius and discharge can be regulated on the Vari-Jet™ model by rotating the valve incorporated in the jet.

■ Performance

The needle or finger spays of the 360° are designed to penetrate plant foliage, suitable for use in exposed wind prone areas.

Seven spray patterns or arcs to suit landscape designs, which can be mixed and matched with nozzle discharge rates.

Five nozzle sizes to meet pressure and flow parameters (see overleaf).

■ Application

Soil types - Clays, silts and loamy sands.

Plant types - Trees, vines, gardens and landscape annuals.

Philmac®

The connection you can trust.

S P E C I F I C A T I O N S



Nozzle Orifice (colour)	Pressure kPa (psi)	Flow rate lph (US gal)	360° 18 hole DIA M	360° 15 hole DIA M	360° 12 hole DIA M	300° 10 hole DIA M	270° 3 hole DIA M	180° RAD M	90° RAD M	40° x 2 DIA M	Mist DIAM M
0.8mm Black	50 (7.20)	15 (3.9)	2.6	2.2	2.6	2.4	2.4	1.2	1.1		
	100 (14.5)	22 (5.8)	4.1	3.2	3.2	3.2	3.6	1.5	1.7		
	150 (21.7)	27 (7.1)	4.6	3.6	4.0	4.8	*	*	2.1		
	200 (29.0)	32 (8.4)	5.0	4.2	4.6	6.0	*	*	2.3		
1.0mm Blue	50 (7.20)	22 (5.8)	3.6	2.6	2.8	2.4	3.2	1.5	1.2	2.6	
	100 (14.5)	33 (8.7)	4.9	3.8	4.4	4.8	4.2	1.8	2.0	4.8	
	150 (21.7)	42 (11.0)	5.8	4.8	5.2	7.0	*	2.0	2.4	5.6	
	200 (29.0)	80 (21.1)	6.2	6.2	6.8	8.6	*	*	2.8	5.8	
1.3mm Green	50 (7.20)	36 (9.5)	4.7	4.2	3.2	3.0	3.5	1.5	1.4		
	100 (14.5)	54 (14.2)	6.4	5.8	5.0	5.6	3.5	2.0	2.2		
	150 (21.7)	68 (17.9)	7.0	6.2	6.0	7.2	*	2.3	2.6		
	200 (29.0)	80 (21.1)	7.2	7.8	7.0	8.0	*	2.5	*		
1.5mm Red	50 (7.20)	52 (13.7)	4.9	4.4	4.0	4.4	3.0	1.9	1.5		
	100 (14.5)	75 (19.8)	6.8	6.0	6.2	5.4	3.8	2.4	2.4		
	150 (21.7)	92 (24.3)	8.2	7.4	8.4	8.8	*	3.0	2.9		
	200 (29.0)	107 (28.2)	8.2	8.8	10.0	10.4	*	*	*		
2.3mm White	50 (7.20)	113 (29.8)	5.2	4.4	6.0	4.0	3.6	2.0	1.9		
	100 (14.5)	163 (43.0)	7.1	8.0	9.2	6.8	5.4	2.9	3.0		
	150 (21.7)	201 (53.0)	7.3	10.4	11.6	9.6	6.6	3.4	3.6		
	200 (29.0)	235 (62.0)	7.0	11.4	13.0	10.6	*	4.0	3.8		
Mist Yellow	50 (7.20)	13 (3.40)									1.0
	100 (14.5)	18 (4.70)									0.8
	150 (21.7)	22 (5.80)									0.9
	200 (29.0)	25 (6.60)									0.8

N.B. Shaded area signifies standard assembled nozzles and caps.

Sprinklers under test were mounted vertically with nozzle 200mm above ground

Vari-Jet™ Performance

CODE	(black base)	VJ360	VJ180	VJ90
PRESSURE	Flow Rate	360° x 18	180°	90°
	(kPa)	L/h	DIA M	RAD M
50	0 - 53	4.9	1.9	1.5
100	0 - 78	6.8	2.4	2.4
150	0 - 98	8.2	3.0	2.9
200	0 - 115	8.2	3.2	3.1

Tests were carried out with valve fully open. Use Vari-jets whenever full throw of standard Micro Sprays are not necessary

RECOMMENDED USE:

Products described above are designed and manufactured for micro irrigation use and therefore have a maximum recommended operating pressure of 300 kPa. The products must be used with suitable filtration (where applicable) to avoid blockage or damage to working components.

Please note that the information, opinions, recommendations and advice given on this specification sheet are supplied only to provide an improved understanding of the technical aspects of Philmac products. So far as the law allows, Philmac Pty. Ltd. will not accept liability in respect of any loss or damage of any kind claimed to arise as a result of reliance upon any information contained on this specification sheet. Please refer to our Terms and Conditions of Supply of Goods.

WSS01146-02

CODE	Approx. Height x Width (mm)
MC36018	1.42 x 0.46
MC36015	1.42 x 0.55
MC36012	1.42 x 0.78
MC30010	1.42 x 0.78

NOTE: For critical filtration requirements due to poor water quality, please follow cap apertures, and not nozzle orifice.

Philmac®

Philmac Pty Ltd 53-59 Deeds Road,
North Plympton, S.A. 5037, Australia
Telephone (08) 8300 9200 Facsimile (08) 8300 9390
Web: <http://www.philmac.com.au>