

UNILIFT AP 12



The UNILIFT AP 12 is a single-stage, submersible pump with semi-open impeller, designed for pumping drainage water containing particles up to a size of up to 12 mm. UNILIFT AP12 is for automatic as well as manual operation and can be used in a permanent installation or as a portable pump. The pump is easily installed as it's fitted with a carry handle and 10 m mains cable. UNILIFT AP12 is mostly made of stainless steel, with a stainless steel sleeve for cooling during operation. The stainless steel pump sleeve is made in one piece with a clipped on suction strainer for easy removal in case of maintenance.



FEATURES

Robust design

The materials of the pump ensure excellent corrosion resistance. The pump housing and impeller are made of high quality stainless steel. Furthermore, the mechanical shaft seal offers high-wear resistance and a long operating life.

Thermal overload protection

The single-phase version is effectively protected against any accidental overload by built-in thermal protection. This means that no additional motor protection is required.

Handy and easily transportable

The carry handle mounted on the pump housing makes it handy and easily transportable.

Option for automatic operation

The pumps are available with float switches for automatic on/off operation.

APPLICATIONS

- Domestic wastewater

TECHNICAL DATA

Mains voltage

1 x 240 V, 50 Hz

3 x 415 V, 50 Hz

Enclosure class

IP68

Insulation class

F

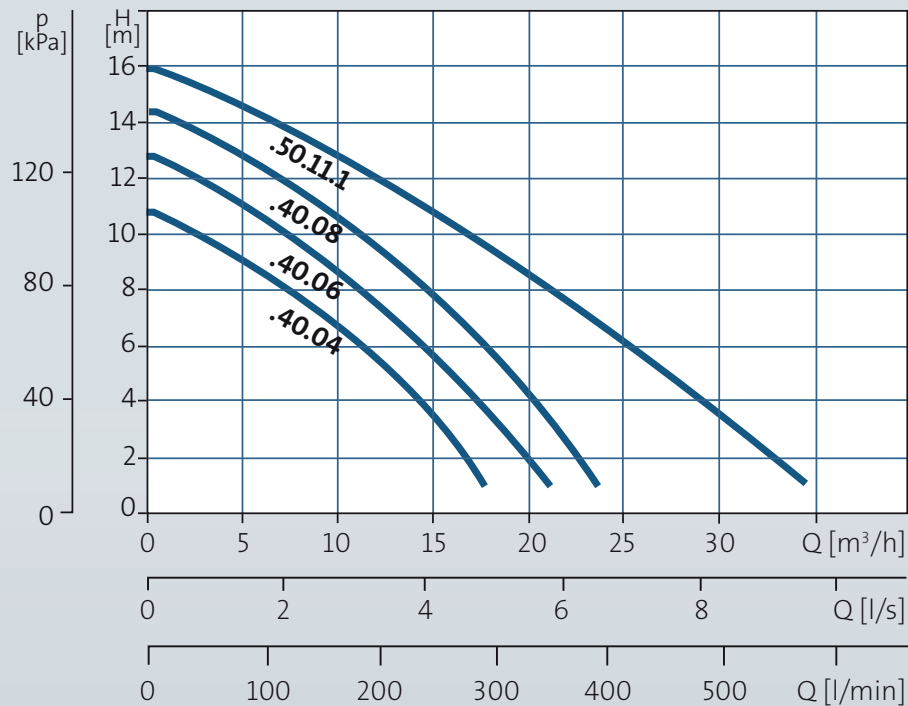
Cable type

H07RN-F

Approvals and markings

VDE, LGE, UL and CSA

PERFORMANCE



OPERATING CONDITIONS

Liquid temperature

0 °C to 55 °C

Max. particle size

Ø12 mm

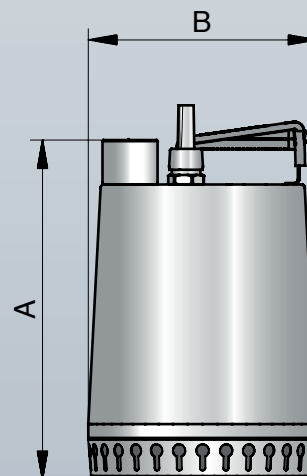
pH concentration

4 to 10

Max. installation depth

10 m

DIMENSIONS



Model	Cable length (m)	Power - P2 (kW)	Connection size	Dimensions (mm)		Weight (kg)
				A	B	
UNILIFT AP12.40.04	10	0.4	1½" F	321	216	11
UNILIFT AP12.40.06	10	0.6	1½" F	321	216	11
UNILIFT AP12.40.08	10	0.8	1½" F	346	216	12.6
UNILIFT AP12.50.11	10	1.1	2" F	357	241	15.1