



Australia's Safest Tanks and Trailers

SPOT SPRAYER MANUAL



WeedControl 55 | 95 | 150 | 225

OPERATIONAL • EFFICIENT • EFFECTIVE

www.tti.com.au

1800 816 277



INTRODUCTION

Congratulations on your purchase of a TTI 12V spray unit. Your sprayer has been manufactured to provide the maximum in dependable efficient use. Proper operation and maintenance will ensure long satisfactory service.

Study this manual carefully to become familiar with the operation and maintenance instructions. Keep your manual in a safe, convenient place for future reference. Always mention the model and part number in any correspondence. To insure correct parts service be sure to use the part number and description when ordering.

ASSEMBLY



Figure 1:
Check inside Tank for any foreign objects.
Install Gun Clips with provided screws.



Figure 2:
Attach Hose to Discharge Port of the Diaphragm Pump, using the plastic clamp provided.

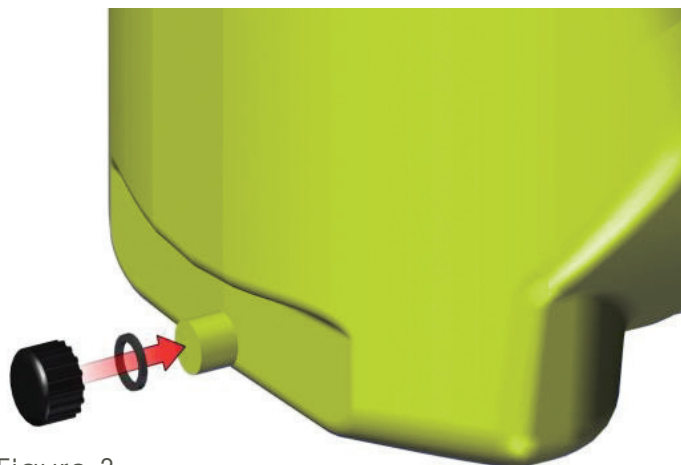


Figure 3:
Install drain cap with washer.

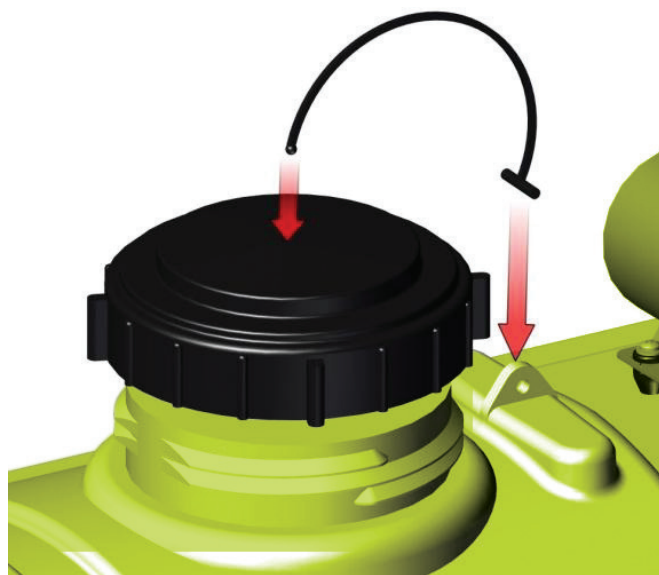


Figure 4:
Install tank Lid Tether.

OPERATION

Operating power is obtained directly from a 12 VDC source. Be sure to connect the red to the positive (+) source and attach the black to the negative (-) source.

Before spraying chemicals, fill the tank half full of plain water to allow familiarization with the sprayer and to prevent waste of expensive chemicals. This unit is fitted with a pressure regulator for ease of use in both boom spraying and spot spraying (lance spraying) operations.

FOR SPOT SPRAYING

When spot spraying, pump will run continuously. Using regulator adjustment, (brass tee) rotate clockwise or counter clockwise until desired pressure (visible on gauge) is reached.

It is recommended that for normal spot spraying duties, pump should run at 40-50PSI when using lance. If pump "cycles" or "Surges" during lance operation, decrease pressure by adjusting regulator counter -clockwise until surging stops and desired pressure is reached.

FOR BOOM OPERATION

When spraying using boom, use regulator adjustment to achieve desired pressure output and application rate. To increase pressure; rotate adjustment clockwise; to decrease pressure, rotate counter-clockwise.

For handy tips on spray nozzle calibration and application rates, visit www.rapidspray.net/product-support/spray-nozzles-a-data.

SPRAYER MAINTENANCE

A sprayer is a carefully designed and built machine that should provide many years of reliable service if properly cared for, the main rule in caring for any sprayer is: KEEP IT CLEAN. Neglect costs dollars in repairs, wasted spray material and premature replacement of the sprayer.

CLEANING & STORAGE

Most spray materials are highly corrosive. The most important aspect of long dependable service from the sprayer is a thorough cleaning immediately following each use. In addition, the residue of one type of chemical could cause an undesirable effect when a different chemical is used for a different purpose.

The most effective cleaning method is to pump several rinses of clean water through the tank, pump, hoses, boom, spray gun, etc. A neutralizing agent such as a solution of Nutra-Sol, a detergent or household ammonia as recommended by the chemical manufacturer can assist in removal of a persistent chemical. When the system is thoroughly cleaned drain the tank, suction line, pump, hoses, etc.

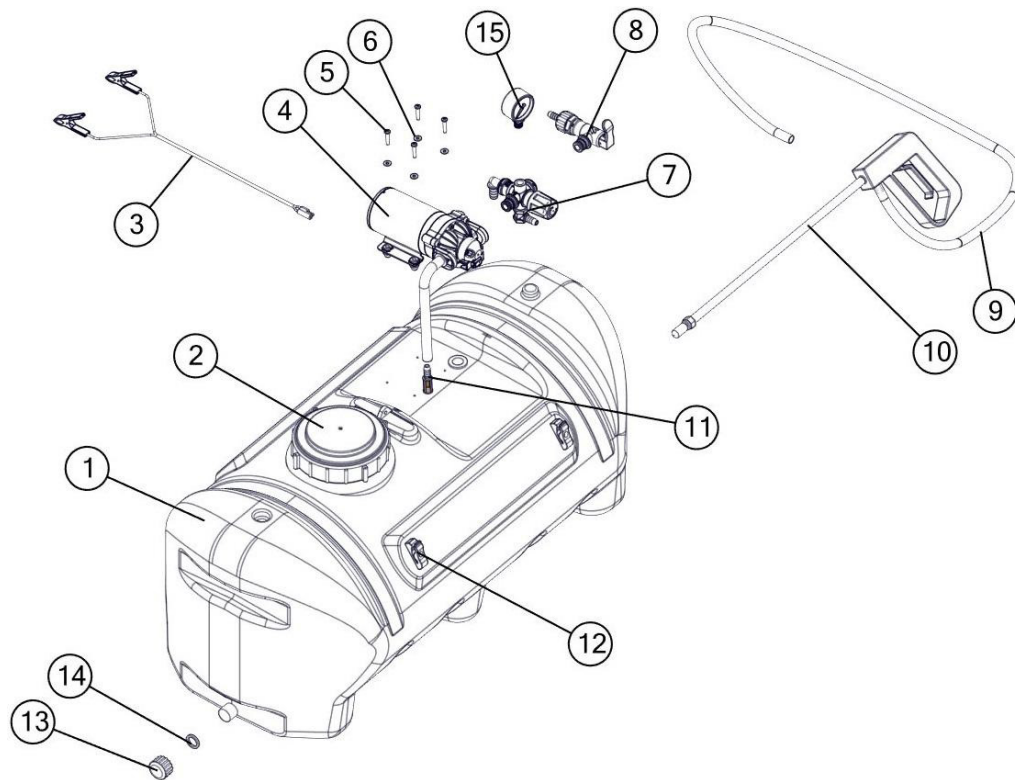
The following steps should be followed for the maintenance and storage of your sprayer.

1. Wash and flush out sprayer after completion of each phase of your program. Flush out sprayer when changing chemicals if there is a possibility of the chemicals being incompatible. Use of a detergent is advisable if the chemical manufacturer does not make specific cleaning recommendations. Flush system completely, including nozzles. Never use metal objects to open clogged nozzles.
2. Clean sprayer thoroughly before storing at the end of the spraying season. Permanent type anti-freeze added to the final rinse will leave a rust inhibiting film in parts of the sprayer.

WARRANTY

Products sold shall be warranted from defects in workmanship and material when used within the service and scope for which they were designed for a period of one year from date of purchase. Contact your distributor/ dealer for replacements parts or warranty work. Please have your original sales receipt or other proof of purchase date when requesting any warranty work.

To ensure the correct parts are acquired always provide the model number of your sprayer/attachment and the part number and description obtained from illustrated parts breakdown in this manual.



Ref	Qty	Part No.	Description
1	1	33-103230	Tank, 25/95(g/L)
	1	33-103231	Tank, 15/55 (g/L)
	1	33-103245	Tank, 40/150 (g/L)
	1	33-103246	Tank, 60/225 (g/L)
2	1	VIBPS17	Lid, Tank
3	1	ATCWLO2412VSA	Harness, Wire, SS,
4	1	EF1000	Pump, Everflo, 1 GPM pumps
	1	EF2200QA	Pump, Everflo, 2.2 GPM pumps
5	4	33-103126	Screw, Machine, 10-24 x 5/8, 1 GPM pumps only
	4	33-103127	Screw, Machine, 10-24 x 1", 2.0 GPM pumps
6	4	33-103131	Washer #10, 2.0 GPM pumps only
7	1	ATRV027LQ12	Regulator, Assy, Sprayer
8	1	34-140141	Valve, ON/OFF, Male QA X Female QA Ports
9	15 ft	CUV58012MM	Hose, rubber, 3/8"
10	1	AHG110	Wand
11	1	33-103121	Strainer, Inlet
12	1	CHCLP12MMX2	Clip, Gun (PAIR)
13	1	3N34	Cap, Garden Hose
14	1	W406-V	Washer, Garden Hose
15	1	CFGD100P08B	Gauge, 2" ABS 1/4" LM 100psi
	21"	CUV58012MM	Hose, Rubber, 3/8", Intake, 15/55 (g/L) & 25/95 (g/L)
	28"	CUV58012MM	Hose, Rubber, 3/8", Intake, 40/150 (g/L) & 60/225 (g/L)
	1	SS-MANUAL-MM	Manual (<i>not shown</i>)



34-140118 REGULATOR, ASSY, SPRAYER, NTE

BOM ID	Qty	Part No.	Description
1	1	3EL1438	Elbow 1/4" MPT x 3/8" HB Poly
2	1	EF-QC-EL12	Fitting, 1/2" HB 90 Elbow

WARRANTY REGISTRATION CARD

To validate your warranty, please complete registration on-line at:

www.tti.com.au/warranty-registration

Alternatively if you are unable to register on-line fill in all the details below, copy and email to **warranty@tti.com.au** or post to the address on the back cover.



I have read and understood the instructions in this booklet.

Date Purchased: _____

Model: _____

Serial Number: _____
(located on side of tank)

Purchaser's Name: _____

Purchaser's Address: _____

Post code: _____

Phone #: _____ Mobile #: _____

Email Address: _____

Purchaser's Signature: _____





Australia's Safest Tanks and Trailers



sales@tti.com.au



1800 816 277



www.tti.com.au



PO Box 137, Nathalia, VIC, 3638
Murray Valley Hwy, Nathalia, VIC, 3638