

# SCALA1

ALL-IN-ONE, SELF-PRIMING BOOSTER WITH BLUETOOTH® CONNECTIVITY

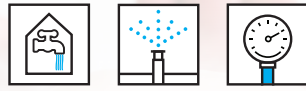


## WATER SOURCE



Above Pump Level Below Pump Level Mains Water

## APPLICATION



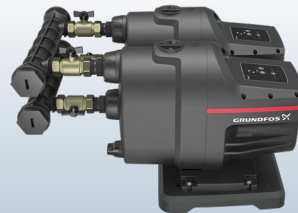
Household Water Irrigation Mains Boosting\*



SCAN THE QR CODE TO LINK TO GRUNDFOS PRODUCT CENTER

The Grundfos SCALA1 is an all-in-one, self-priming pump with built-in Bluetooth® connectivity, making it simple to install, customise, control and troubleshoot using the Grundfos GO App.

- **For water sources below pump level** - Designed with good suction lift capabilities, the SCALA1 is able to draw water up to 8 metres vertically below the level of the pump
- **Quiet operation** - Super quiet operation that won't disturb your family or neighbours
- **All-in-one construction** - Tough, weather resistant outer casing houses the pump, motor and the controller
- **Easy installation – plug & pump** - Simply connect the pump inlet and outlet to the pipework, prime the pump, plug into a power outlet and you're ready to pump
- **Simple to operate and monitor** - Seamlessly connect to your SCALA1 using the Bluetooth connected Grundfos GO App.
- **Twin Booster** - For higher flow demand SCALA1 can be easily be setup as a twin booster. Duty assist and duty standby modes available. Base plate, manifolds, communication cable and fixing screws available as an accessory kit.



SCALA1 Twin Booster with manifold and base plate

## PUMP NOISE

SCALA2	SCALA1	Jet Pump Range
47 dB Max.	55 dB Max.	70 dB Max.

## PUMP SIZING

Higher pressure for multi-level dwellings and long runs of pipe			SCALA1 5-55
High pressure for double storey dwellings and long runs of pipe	SCALA1 3-35	SCALA1 3-35	SCALA1 5-55
Adequate pressure for most single storey dwellings	SCALA1 3-35	SCALA1 3-35	SCALA1 5-55
	Small House 2-3 taps	Medium House 3-4 taps	Large House 4-5 taps

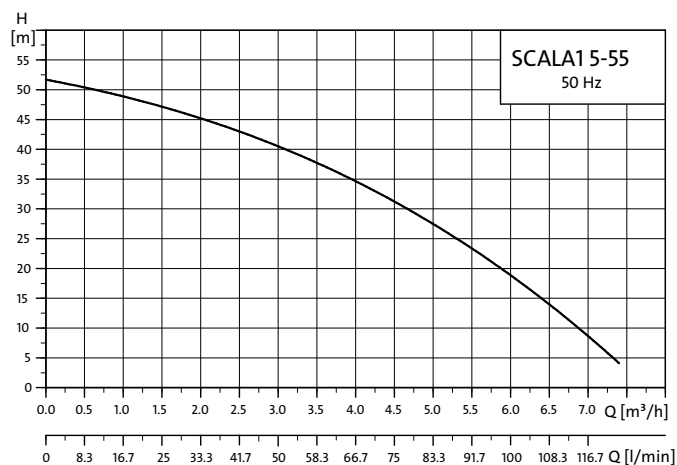
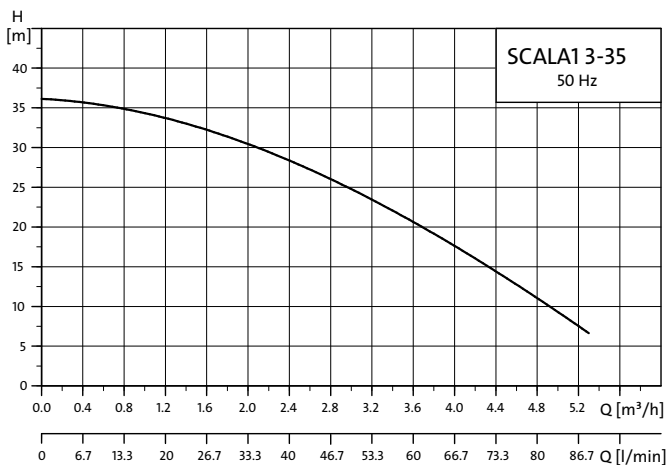
\* Subject to local legislation

## PROTECTION & CONTROL

	SCALA1
Auto Start/Stop	✓
Non-Return Valve	✓
Dry Run Protection	✓
Anti-Cycling Protection	✓
Alarm Indication LED	✓
Grundfos GO Bluetooth connectivity	✓

# TECHNICAL & PERFORMANCE DATA

## PERFORMANCE CURVE



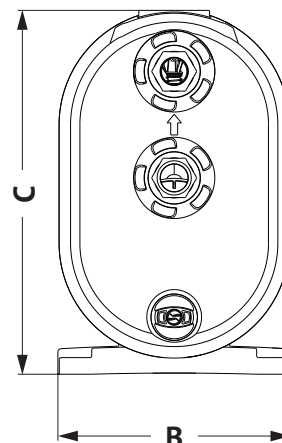
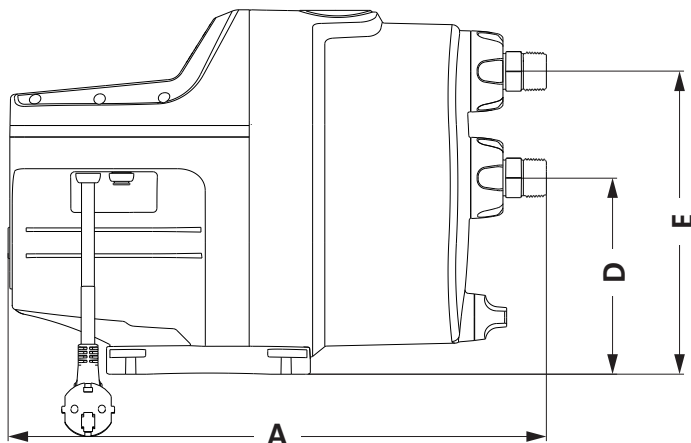
## OPERATING CONDITIONS

Ambient Temperature	0°C to +55°C
Liquid Temperature	0°C to +45°C
System Pressure	Max. 8 bar
Sound Pressure	Max. 55 dB

## TECHNICAL DATA

Power Supply Voltage	230 Volt, 50 Hz
Power Supply Cable	1.5 m with plug
Enclosure Class	Suitable for outdoor installation (IPX4D)
Approvals and Markings	Approved for Drinking Water AS/NZS 4020 C-Tick Compliance

## PHYSICAL ATTRIBUTES



Model	Motor Power P2 (kW)	Connections		Dimensions (mm)					Weight (kg)
		Inlet	Outlet	A (l)	B (w)	C (h)	D (inlet)	E (outlet)	
SCALA1 3-35	0.60	1" Male	1" Male	466	202	316	171	263	12
SCALA1 5-55	1.00	1" Male	1" Male	466	200	316	171	263	14