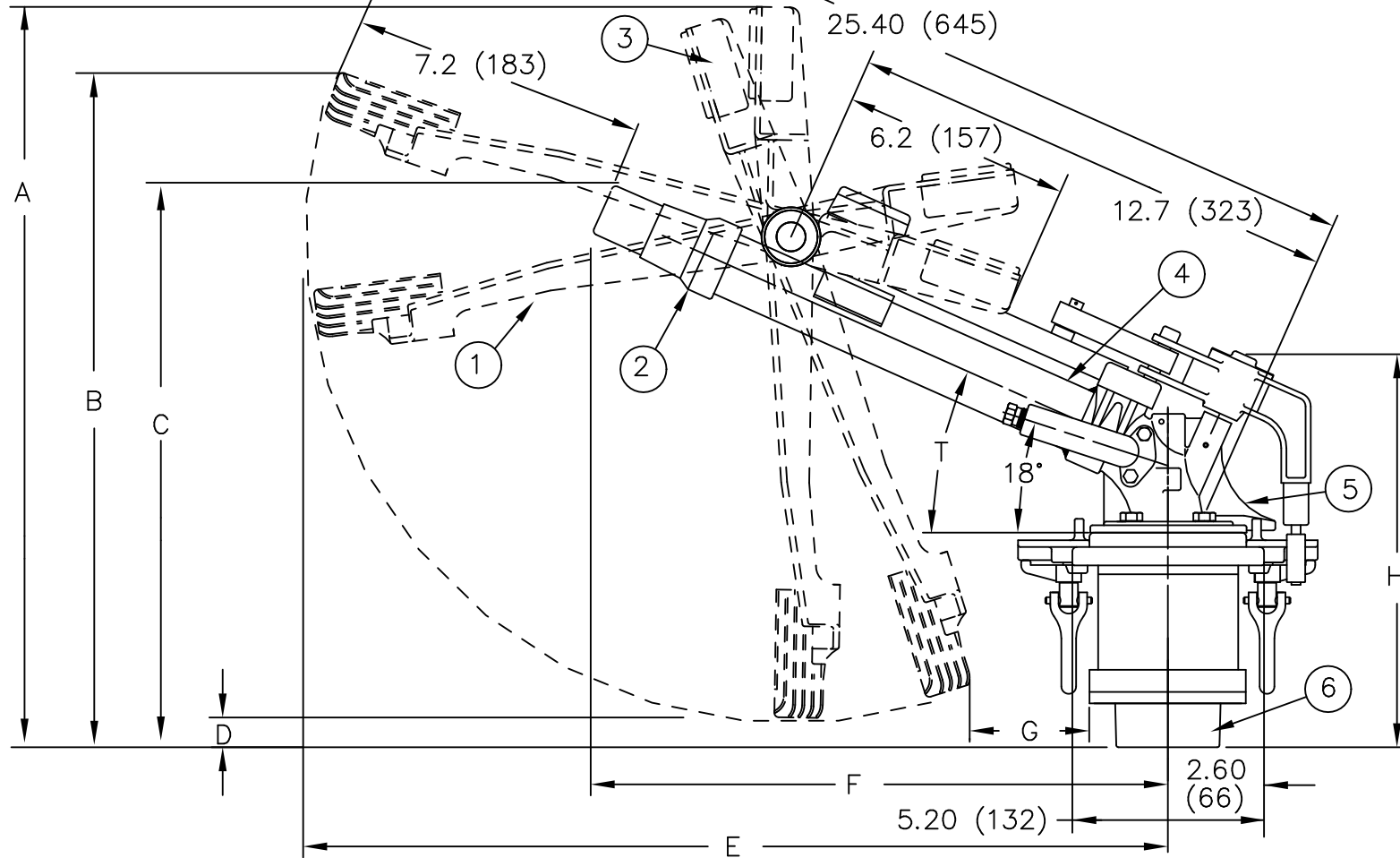


SR100 BIG GUN OVERALL DIMENSIONS

NOTE: ALL DIMENSIONS ARE IN INCHES / (MM)



DIMENSION TABLE

	18°		21°		24°	
A	19.25	489	19.65	499	20.0	508
B	16.0	406	16.9	429	18.1	460
C	14.0	356	14.8	376	15.3	389
D	.25	6	.65	17	1.00	25
E	23.75	603	23.20	589	22.50	572
F	16.9	429	16.5	419	16.0	406
G	3.4	86	3.85	98	3.9	99
H	11.3	287	11.0	279	10.8	274

MATERIAL TABLE

	PART	MATERIAL
1	ARM	ALUMINUM
2	NOZZLE	ALUMINUM
3	ARM WEIGHT	CAST IRON
4	RANGE TUBE	ALUMINUM
5	ELBOW	ALUMINUM
6	FLANGE	CAST IRON

