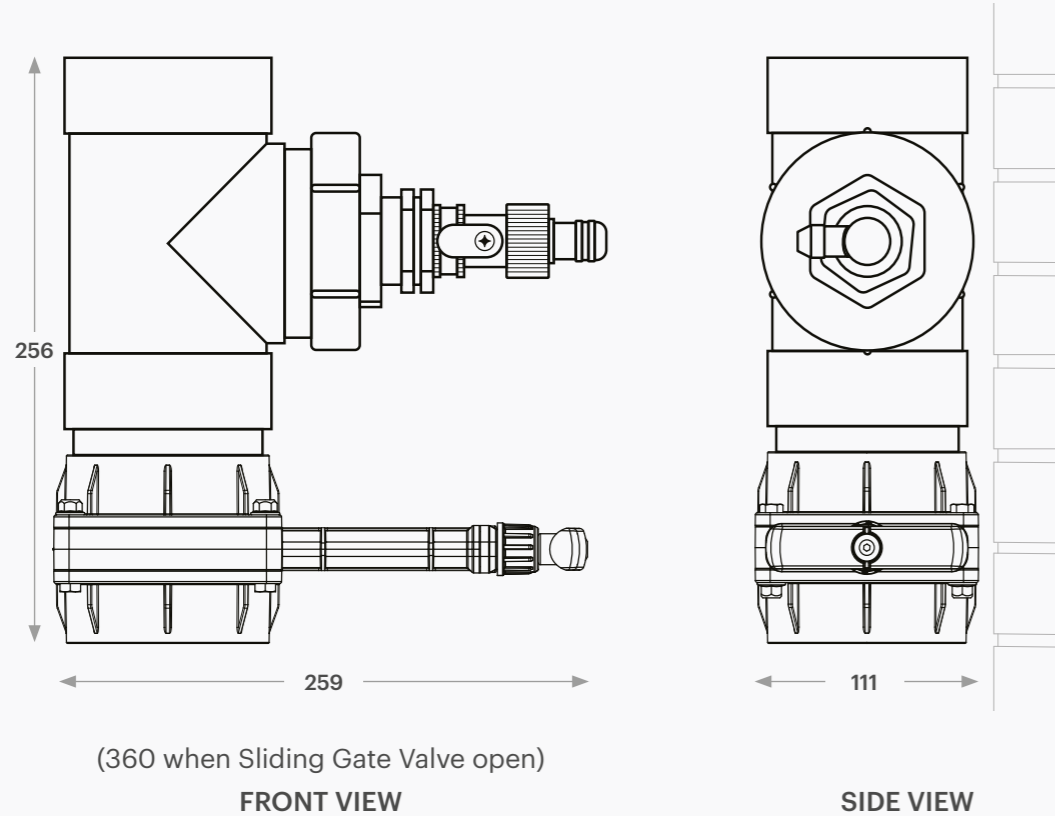


PRODUCT DIMENSIONS



Pipe Fitment		
GSFP02	DN90 F (Socket)	90mm pipe fits inside

ALL DIMENSIONS IN MM UNLESS OTHERWISE STATED.

DISCLAIMER

You acknowledge and agree that the information, data, advice, opinion, plan or other thing (**Material**) provided to you by Rain Harvesting Pty Ltd (ABN 11 113 300 093) (we, us, our) is provided "as is" without any representation, warranty, indemnity or guarantee as to the performance, accuracy, timeliness, completeness, merchantability or fitness of the Material for any particular purpose or application. The Material may contain errors, mistakes, inaccuracies and may not be complete. We expressly exclude any liability for such performance, accuracy, timeliness, completeness, merchantability or fitness of the Material for any particular purpose or application, to the maximum extent permissible by law. Unless we expressly specify otherwise, we disclaim all responsibility and liability for any third party provided advice or provision of services, or failure to advise or provide services. The disclaimers above are subject to the rights, warranties, guarantees and remedies relating to the provision of services that you have under, and that cannot be excluded, restricted or modified under, the Australian Consumer Law. For more information, please see our Services Purchase Terms at www.bluemountainco.com.au.

RAIN HARVESTING
by Blue Mountain Co

+61 (0)7 3248 9600

rainharvesting.com.au

RAIN HARVESTING
by Blue Mountain Co

The Plug 3-in-1



Installation and Specification Guide

PRODUCT DETAILS

The all-in-one fire plug, gutter cleaner and rainwater diverter.

GSFP02 90mm

FEATURES AND BENEFITS

- Used as a fire safety device to fill your gutters with water to defend your property during a bushfire and ember attack
- Quick hose connection allows you to divert rainwater for use in your pool or garden
- Hose your roof to conveniently flush leaves and other debris from your gutters without contaminating your rainwater system
- Comes in kit form for easy installation

Installation

WHAT'S IN THE BOX?

- | | | |
|-----------------------------|------------------------|------------------|
| • The Plug 3-in-1 'T' | • Hose Connector | • Tape measure |
| • Threaded End Cap | • Sliding Gate Valve | • Marker pen |
| • 1" to 3/4" Adaptor | • 90mm Section of Pipe | • Saw |
| • The Plug 3-in-1 Tap Valve | • 90mm Brackets x 2 | • PVC primer |
| | | • Solvent cement |

TOOLS/MATERIALS YOU MAY REQUIRE

HOW TO INSTALL

NOTE: When The Plug 3-in-1 is activated, there will be a considerable weight of water in the roof gutter, therefore it is important to check that the roof gutter system has been installed to the Building Code and Australian Standards, and ensure that it has the appropriate number of support brackets. After fitting, test the effectiveness of the system.

The Plug 3-in-1 kit relies on the integrity of your downpipe and gutter to hold water to be effective. If you find leaks in your gutters or downpipe, you may need to repair them with approved sealant to ensure they are watertight. If you have metal downpipes, they may have to be replaced with PVC pipe between The Plug 3-in-1 and the roof gutter, to ensure a complete seal.

- Decide where you want to install The Plug 3-in-1 so it is at a convenient height – waist to chest height is suggested. If there is a rain head installed or other opening on the existing downpipe, The Plug 3-in-1 must be installed higher to function. Remove a portion of your existing downpipe of approx. 220mm length. Ensure all cut edges are clean and smooth.
- Using the appropriate PVC primer and solvent cement, glue The Plug 3-in-1 'T' into position so that the threaded end cap can be unscrewed easily when the system is fixed to the wall.

Glue the supplied 90mm section of pipe into the base of The Plug 3-in-1 and into the top of the Sliding Gate Valve. Glue the Sliding Gate Valve to your existing downpipe. Fit the pipe bracket provided directly under The Plug 3-in-1 to share the weight of water that will be in the pipe. Fit the other pipe bracket onto the pipe under the Sliding Gate Valve to share the weight of the water. Fit more brackets at appropriate places along the pipe if required to ensure the pipe system is adequately supported.

The Plug 3-in-1 may be oriented so the hose connection and sliding gate valve are facing left or right. Do not install the The Plug 3-in-1 in a manner that will cause an obstruction or where it can be bumped or broken.
- Once the PVC joints are cured, screw the Threaded End Cap to The Plug 3-in-1 'T' followed by the 1" to 3/4" Adaptor, The Plug 3-in-1 Tap Valve and Hose Connector as shown in the diagram.
- Ensure all cut edges are clean and smooth.

HOW IT WORKS

Fire Plug use

- Turn The Plug 3-in-1 tap valve to the off position
- Ensure the Sliding Gate Valve is in the closed position
- Connect a garden hose to The Plug 3-in-1 hose connection and turn on the water supply
- Slowly turn ON The Plug 3-in-1 valve
- When the gutter is full, turn The Plug 3-in-1 valve OFF, turn the hose tap OFF, and remove the hose for other uses

Rainwater diverting use

During periods of rainfall, you can connect a garden hose to The Plug 3-in-1 to divert rainwater to use elsewhere.

- Ensure the Sliding Gate Valve is in the closed position
- Connect one end of a garden hose to The Plug 3-in-1 hose connection and the other end where you wish the rainwater to be diverted to
- Turn on The Plug 3-in-1 tap valve

Gutter cleaning use

When cleaning out your gutters, use The Plug 3-in-1 to flush out leaves and debris without contaminating your rainwater system.

- Ensure the Sliding Gate Valve is in the closed position
- Carefully unscrew the threaded end cap so water and debris can flow freely out of the T section
- Place a suitable container near the outlet of The Plug 3-in-1 if you wish to capture the water and debris as it is flushed out
- Using a garden hose, direct a stream of water onto your roof to flush leaves and debris through your downpipe. You may need to use a brush, or other manual method, to clear clogged gutters or pipes. Continue until water runs clear through The Plug 3-in-1.
- After removing any leaves and other debris from the T section, screw the threaded end cap back on to reassemble The Plug 3-in-1.

Normal (inactive) use

- Ensure the Sliding Gate Valve is in the open position
- Ensure The Plug 3-in-1 tap valve is in the closed position

After use

Ensure that all water is drained from the system, or mosquitoes may breed in the roof gutters. If you have a rainwater catchment system and there has been a fire, BEFORE opening the Sliding Gate Valve again, flush the roof gutter system through the The Plug 3-in-1 tap to remove any dead embers and ash.

Handy Hints

Before filling the downpipes and gutters with water, make sure that they are adequately supported. On an average house with 70m of gutter, plus four downpipes, there will be around 700kg of water in the system. One average tap at 14 litres/minute will take 50 minutes to fill the system.

REFERENCE CHART

