

PondMAX

WATERGARDENING TO THE MAX

ALL IN ONE PM2600

INSTRUCTION MANUAL



AQUATEC
EQUIPMENT

DATE
MAR 2016 v1.0

HOTLINE 1300 AQUATEC

MODEL
03PF312

CONGRATULATIONS ON YOUR PURCHASE OF THIS PRODUCT BY PONDMAX, THE ANSWERS FOR YOUR WATERGARDEN MADE EASY.

TECHNICAL SPECIFICATIONS

Transformer	Voltage	Power Consumption*	UV-Clarifier Power	Max Head	Water Flow	IP Rating Transformer	IP Rating Pump & UVC	Outlet Thread Size
240V ~ 12V	12V	80W	11W	2M	2200 L/H	IP44	IP68	1/2 INCH MALE

* SUBJECT TO VARIATION ACCORDING TO LOAD.

BENEFITS

The PondMAX All in One PM2600 Complete Pond and Filter System is designed to clean pond and water feature water utilising the latest advanced technology.

Mechanical & Biological Filtration

11W Ultraviolet Clarifier for green water clarification.

Powerful 2200 L/hour pump with wear resistant ceramic components

Dual Flow Control T-Piece

Multiple fountain nozzles help aeration of water

12V Low Voltage Power System for safe in-pond operation.



IMPORTANT SAFEGUARDS

Please read the operating instructions and familiarize yourself with the equipment before placing it in service. Correct and safe use of the system requires strict compliance with the safety instructions. For safety reasons persons less than 16 years of age, or infirm persons, or pets, or people that are not familiar with these instructions should not use this equipment.

Any damage of the equipment or unmerited operation will bring dangerous UV Rays to the skin and eyes. So if there is any damage of the equipment, it must not to be used. The equipment should be placed out of reach of children.

For your own safety, disconnect from the power supply before any maintenance of any equipment is attempted on the tank or water body.

Be sure the equipment is submerged completely in the water. The depth should not be greater than 2m.

Do not operate the pump if the appliance or any components of the system, such as the power cable, have been damaged.

Always use a properly grounded power supply that is connected to an RCD with a rated residual operating current not exceeding 30mA. As per AS/NZS 3350.2.41:1997

The drip loop method should be used to prevent water from traveling down the cable and onto the plug or power supply. If the plug does get wet, do not unplug the cable. Disconnect the circuit breaker that supplies power to the power supply point. Then unplug and examine the plug and power supply point for presence of water. If the power point has become wet, you should consult an electrician before using the power point again.

Always unplug the pump from the power supply when not in use or before performing any maintenance on the pump or in the pond. Never pull the cable to disconnect the plug from the power supply. Grasp the plug and pull to disconnect.

Always unplug the appliance from the power supply when not in use or before performing any maintenance.

If required, have a qualified electrician install a weatherproof power supply point near to the pond or water-feature (within the cable length of the appliance).

Do not install or store the appliance where it will be exposed to extreme hot or cold temperatures. Do not use in water above 35°C.

Do not cut the cable as this will result in voiding your warranty.

Care should be taken to arrange the power cable so that it cannot be accidentally tripped over or pulled.

Do not attempt to repair the electrical appliance yourself. Return to an authorized service centre or place of purchase if a fault occurs, (regular maintenance is not considered repair and is required by user).

ALL IN ONE PM2600

PRODUCT SPECIFIC SAFEGUARDS

Do not look at an unshielded UV-C globe. Ultra Violet light is harmful to your eyes and may cause blindness. Do not operate UV Globe out of the housing.

As the UV Clarifier Globe is made of quartz glass, please avoid sudden jolts, as this will break the quartz.

In cold temperatures where frost or freezing may occur, please cease to use the unit. Remove from the environment. Frozen water will crack the Quartz glass sleeve.

INSTALLATION

Once a fountain nozzle has been selected, assemble the fountain kit as per the attached diagram. Screw the T-piece onto the pump outlet and adjust the telescopic riser to the desired height and align vertically. On the Dual-control flow adjuster, on the T-piece, you can vary the flow between the fountain head and the waterfall outlet. Close the second outlet of the T-piece if this is not required for an optional waterfall.

Position the device in the pond horizontally, on a solid base, free from sludge, in such a way that it is fully covered with water and the fountain kit protruding out of the water.

Insert the two pin Low Voltage plug into the Low Voltage side of the transformer and secure with the locking nut. Insert the mains power supply plug into the power outlet.

Note: Use the power supply switch for turning the unit on and off.

CLEANING INSTRUCTIONS

Begin by ensuring that the mains power supply is disconnected before attempting any maintenance or adjustment of the unit. Remove the unit from the water. The filters and sponges in this unit will clog over time. Please clean regularly (at least once a month) to ensure strong water flow. Failure to maintain the unit will result in a burnt out motor and other damage.

Take off the fountain set first, and then open the 4 clips on the side of the filter cover.

Take out the filter sponge and filter media boxes and clean. It is recommended that this is done in a bucket of pond water to ensure the good bacteria are not killed by the Chlorine in tap water. Check for wear and tear of the sponges. Replace if necessary.

Maintain the filter sponge regularly according to how quickly the sponge gets clogged up. When the flow starts to get reduced, check and clean if necessary.

You can help boost the biological function of your filter with a bacterial additive, available from your local stockist.

The UV lamp should be replaced regularly at the end of its design life. Usually this around 11 months of use. To take out the UV clarifier globe, open the safety catch on the side and turn the UV Clarifier casing in anti-clockwise direction to the stop position. Then slide out the 11W LV quartz glass globe. Now you can change your UV lamp.

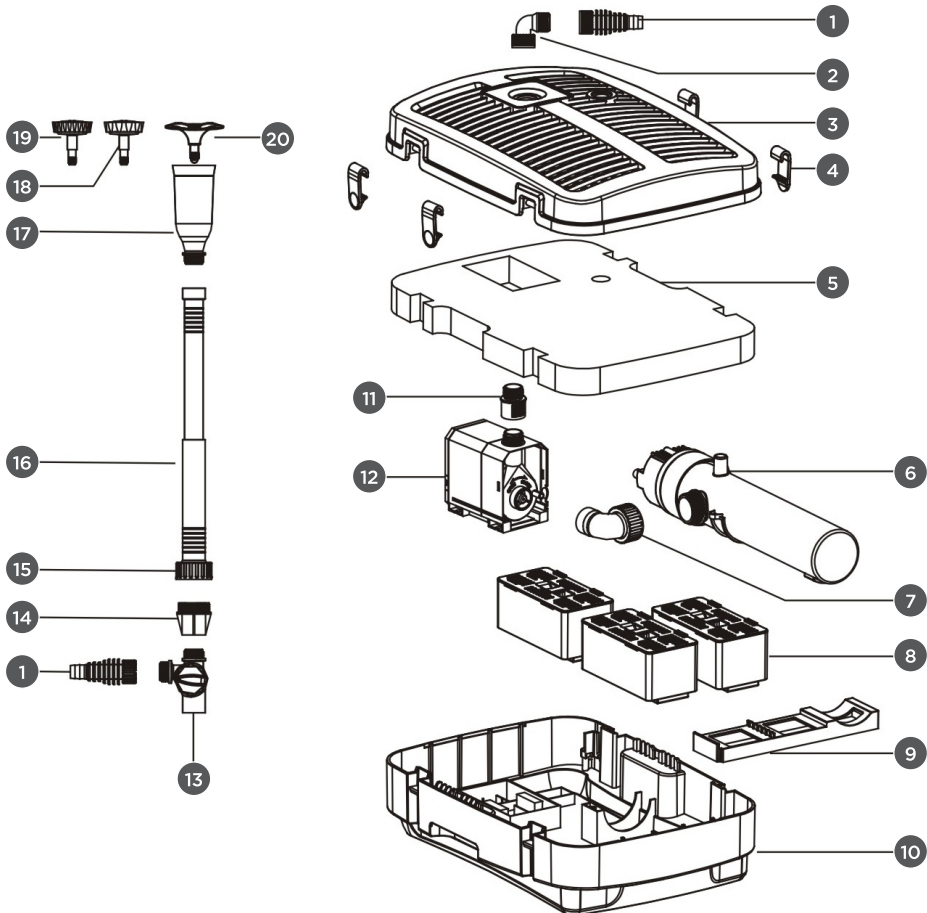
Dirt on the Quartz sleeve will influence the efficiencies of the equipment. Please remove and clean regularly.

To clean the quartz glass sleeve, take the quartz sleeve out by unfastening the locking nut (No. 4 Fig. 3). Then you can take out the quartz glass sleeve and clean.

To maintain the impeller of the pump, turn the Impellor cover in an anti-clockwise direction to the stop position, and then you can separate the impeller cover and pump body. Take out the impeller, clean it with clean water and suitable brush. Inspect for signs for wear. Replace if necessary.

Once the cleaning and inspection process is completed, reassemble in the revers manner. The pump suction elbow is pushed firmly onto the Impellor cover inlet of the pump. Pay attention to the UV clarifier casing when inserting it back together. The inspection hole needs to be positioned towards the top, you can separate the impeller cover and pump body. Take out the Impellor, clean it with clean water and suitable brush. Inspect for signs for wear. Replace if necessary.

COMPLETE SYSTEM (FIG. 1)



- 1 Hose tail - 20mm to 1/2 Inch BSP
- 2 Elbow 1/2 Inch to 1/2 Inch BSP
- 3 Top Filter Cover
- 4 Filter cover clips (x4)
- 5 Blue Filter Sponge
- 6 UV-Clarifier unit
- 7 Pump Suction Elbow

- 8 Filter Media Cassett (x3)
- 9 Filter Media Cassatt's Mounting Plate
- 10 All-in-One Filter Base
- 11 1/2 inch Pump Threaded Adapter
- 12 Water Pump
- 13 Duel Control T-piece Adaptor
- 14 Riser to T-piece Adaptor

- 15 Extendable Riser Locking Nut
- 16 Extendable Riser
- 17 Fountain Nozzle Mount
- 18 Fountain Head (Fine Daisy Nozzle)
- 19 Fountain Head (Corse Daisy Nozzle)
- 20 Fountain Head (Bell Nozzle)

ALL IN ONE PM2600

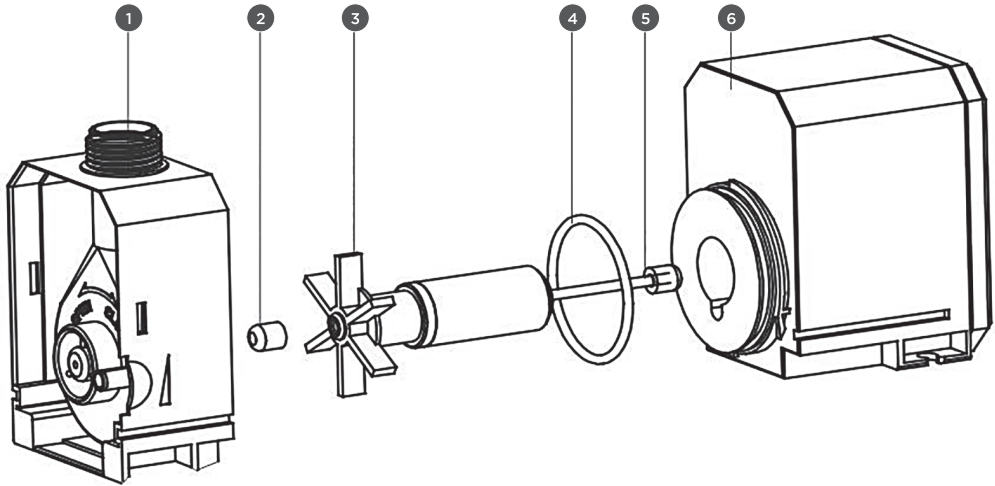
PUMP (FIG. 2)

- 1 Impellor Cover
- 2 Rubber Grommet
- 3 Impellor
- 4 O-Ring
- 5 Ceramic Impellor Shaft
- 6 Pump Motor Body



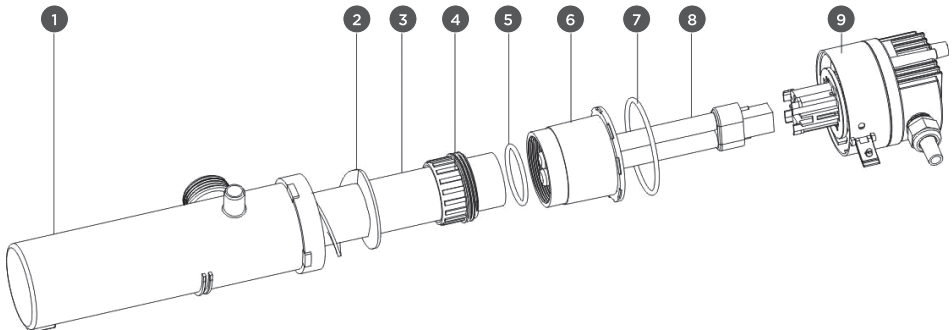
IMPORTANT

These accessories and attachments are recommended for use with your PondMAX product specified in this manual. The use of any other accessories or attachments might present a risk of injury to persons. Only use the accessory or attachment for its stated purpose.



UVC LAMP (FIG. 3)

- 1 UV Light Casing
- 2 Water Flow Spiral
- 3 Quartz Glass Sleeve
- 4 Quartz Sleeve Locking Nut
- 5 45mm x 4mm O-Ring
- 6 Plastic Quartz Sleeve Holder
- 7 60mm x 3.1mm O-Ring
- 8 11W Low Voltage UVC Globe
- 9 UVC Lamp Holder with Cable



TROUBLESHOOTING

Problem	Reason	Solution
Water Pump Not Working	No Power	Check that the plug is connected and turned on
	Sponges and filter media blocked with sludge	Clean the sponges and filters
	Impellor is blocked with sludge or limescale	Clean the Impellor as per the instructions
	Running without sufficient water	Submerge the equipment underwater then plug in. Refill if necessary.
	Blocked Impellor chamber or ceramic shaft is broken	Clean the Impellor. Check for ware. Replace if necessary.
Water Pump is noisy	Blockage in pump	Clear the blockage
	Impellor & Shaft worn out	Replace Impellor & Shaft
	Impellor broken	Replace Impellor
	Water valve closed on the outlet	Open the valve and allow water to flow
	Unit inlet is blocked or the water pump inlet is blocked	Clear all blockages
UVC Lamp not working	UVC Globe blown or Quartz Sleeve broken	Replace as necessary
	Connection of the UVC Globe not sufficient	Push UV Globe in firmly until you hear a click sound

SPARE PARTS (NOTE: THESE ARE THE MOST USED)

Description	Product Code
PondMax All in One PM2600 Impellor & Shaft	13PA001
PondMax 12v Transformer 96va	04ST036
PondMax All in One PM2600 Quartz Glass Sleeve	13PA002
PondMax All in One PM2600 Sponge Filter	13PA003
PondMax All in One PM2600 Complete Fountain Kit	13PA004
11W Low Voltage UV-C Bulb - Pondmax	11AU176

ALL IN ONE PM2600

NOTES

LIMITED WARRANTY

This product comes with a warranty against defects and motor failure (Warranty). The benefits provided in this Warranty are in addition to other rights and remedies available to you under the Australia Consumer Law. The Warranty is provided to the original purchaser of the product on the following terms:

The Warranty is given by Chemkay Pty Ltd trading as Aquatec Equipment: PO Box 2087, Seville Grove, WA 6112. Tel 1300 552 202 or email sales@aquatecequipment.com.

To make a claim under the Warranty you must return the faulty product to the place of purchase with a valid receipt or proof of purchase.

A Warranty claim must be made within 1 year of the date of purchase.

If your claim complies with the above terms and the product is not an Exhaustible Item and no Voiding Events have occurred, we will (at our sole discretion):

- repair the product, if possible; or
- provide a replacement product; or
- if a replacement product is not available, provide a refund for the purchase price paid.

You will bear the cost associated with claiming under the Warranty such as the cost of transportation and delivery of the product to and from the place of purchase.

The product contains a complete Impellor Set, O Ring & UV Globe. These items are exhaustible (Exhaustible Items) and are not covered under the Warranty.

The Warranty will be void if any of the following events occur, as determined by us, at our sole discretion (Voiding Events):

- any tampering/removal of warranty/identification labels or electrical components is evident;
- the defect has arisen due to: an accident, incorrect or inadequate installation, misuse or abuse of the product (including improper maintenance and service), excessive wear and tear, not following manufacturer's guidelines/ instructions, or the product has been used in a manner contrary to the purpose or suitability of the product;
- the product has been modified without our authority;
- the defect is caused by power surges/spikes brownouts.

Loss of livestock, damage to property or personal injury caused by the improper use or abuse of the product will not be covered and the manufacturer excludes all liability for such events, to the extent permitted by law.

In addition to the Warranty set out above, our goods come with guarantees that cannot be excluded under the Australian Consumer Law. You are entitled to a replacement or refund for a major failure and for compensation for any other reasonably foreseeable loss or damage. You are also entitled to have the goods repaired or replaced if the goods fail to be of acceptable quality and the failure does not amount to a major failure.

Please consult your retailer for quality original PondMAX replacement parts.

Visit www.aquatecequipment.com for your nearest stockists.

E.&O.E.