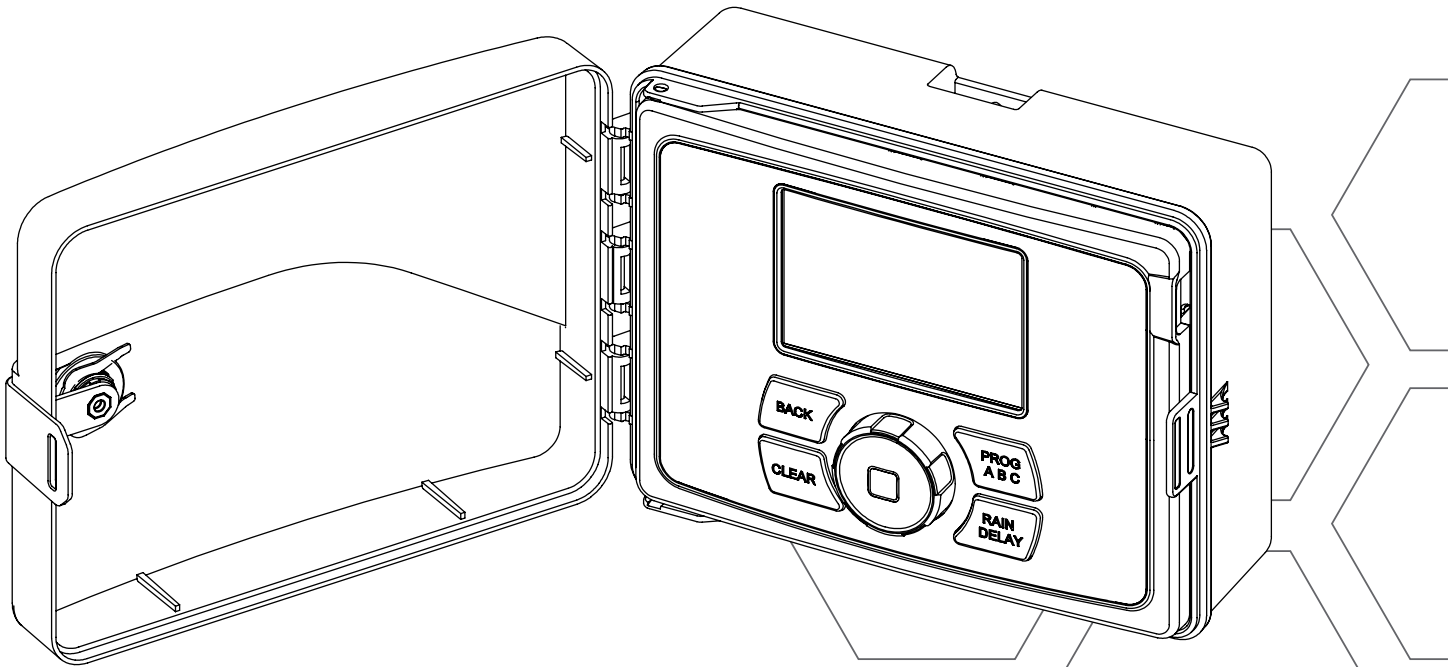


Welcome to

**b•hyve™**

SMART WIFI SPRINKLER TIMER



User's  
Guide

# Welcome to B-hyve™

Nature is a wonderful gardener and is always subtly working with you to take care of your landscape. Bees provide a great example of this remarkable, unseen effort to help your plants grow. The beehive is the central hub where this effort is coordinated, and the communication happens. While nature does a great job, sometimes a little help is needed. That is where we come in. When you connect your B-hyve Smart WiFi Sprinkler Timer to your Wi-Fi, you are plugging in to nature. The local weather, along with some inputs about your landscape, will work together to deliver the right amount of water to your plants, eliminating water waste and saving you money. Thanks for connecting and welcome to B-hyve!

Remember, you can set your timer up with the app. But, if you don't have Wi-Fi or just want to make an adjustment while you are outside, you can do it at the timer. Timer changes will be reflected in the app, and app changes will be reflected at the timer.


Also, the App has help screens and videos to assist you with Wi-Fi connections, programming, smart watering and other general questions you may have.

If the App and the website don't have what you're looking for, please call our technical support line.

## Help

1-800-488-6156 or 1-801-299-5555  
www.orbitonline.com  
bhyve.orbitonline.com

Before returning this sprinkler timer to the store, contact Orbit Technical Service at:  
1-800-488-6156 or 1-801-299-5555



FOR OPTIMUM TIMER  
PERFORMANCE, CONNECT  
TO WIFI TO RECEIVE THE  
LATEST TIMER UPDATES.

## Table of Contents

### Parts

Sprinkler Timer .....	2
Timer Controls .....	2
Digital Display .....	3
B-hyve App .....	3

### Installation

Selecting a Location .....	4
Mounting the Timer .....	4
Wiring the Sprinkler Valves .....	5
Wiring the B-hyve Timer .....	5
Connecting Electrical Power .....	6
Activating Battery .....	6
Replacing the Battery .....	7

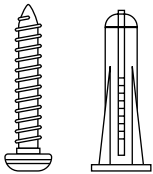
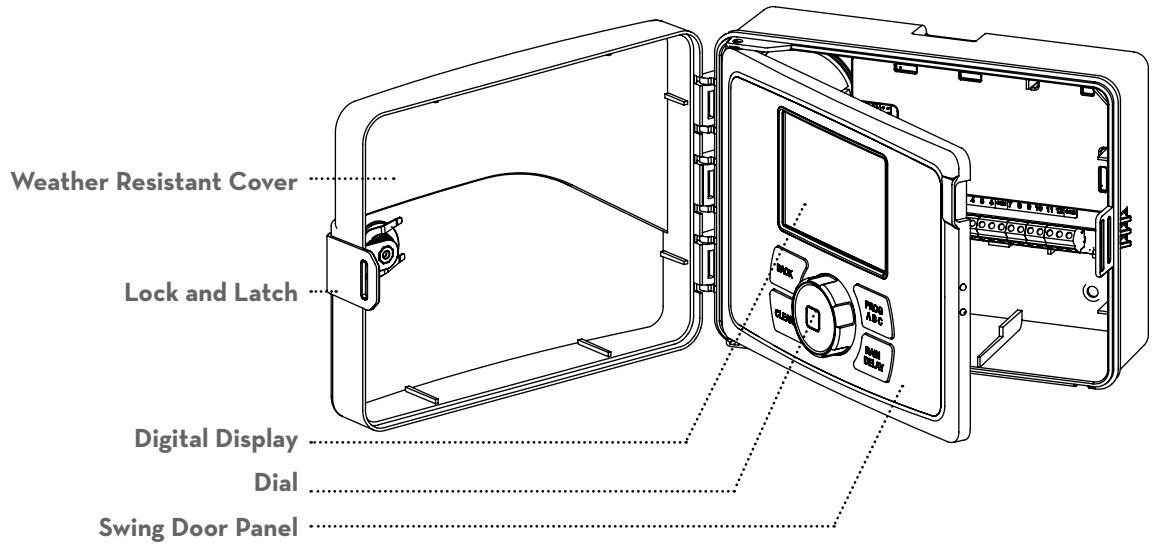
### Programming

Connecting to Wi-Fi .....	7
Program Button (PROG ABC) .....	8
Date/Time .....	8
Start Time .....	9
Run Time .....	9
How Often .....	10
Auto .....	11

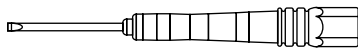
### Additional Features

Rain Delay .....	11
Budget .....	11
Manual .....	11
Rain Sensor .....	12
Pump Start & Master Valve .....	12
Term Definition .....	12
Troubleshooting .....	13
Specifications .....	14

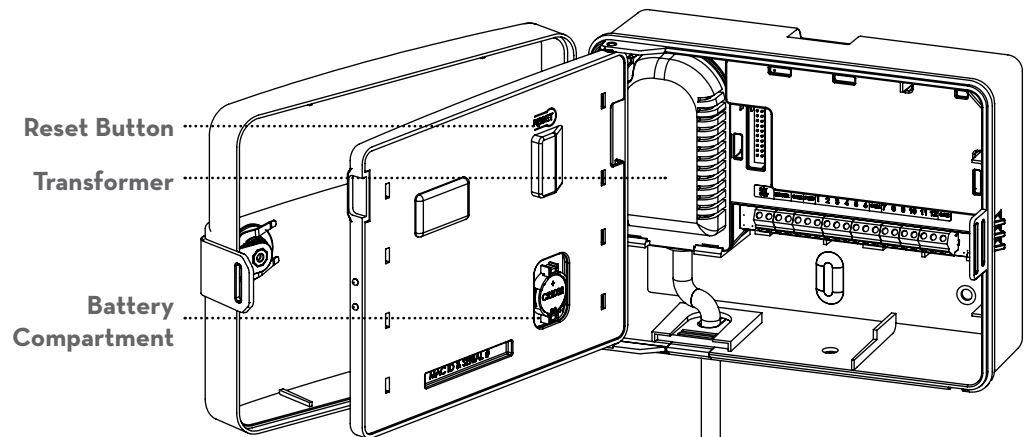
# Parts Sprinkler Timer



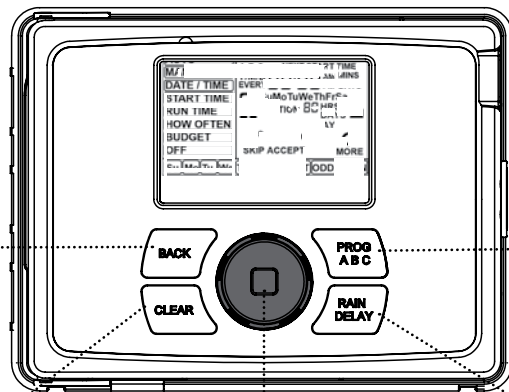
Installation Hardware



Screwdriver



## Timer Controls



**BACK:**

To go back a step or return to main menu

*Note: BACK can be pushed twice to return to auto.*

**CLEAR:**

To clear a setting

*Note: The CLEAR button may also be used to cancel Rain Delay, cancel a running program or cancel a manual watering cycle.*

**DIAL:**

Navigate up or down, left or right, and push to make a selection

*Note: If the dial selection is left in any position other than OFF, it will revert back to AUTO after approximately 20 seconds.*

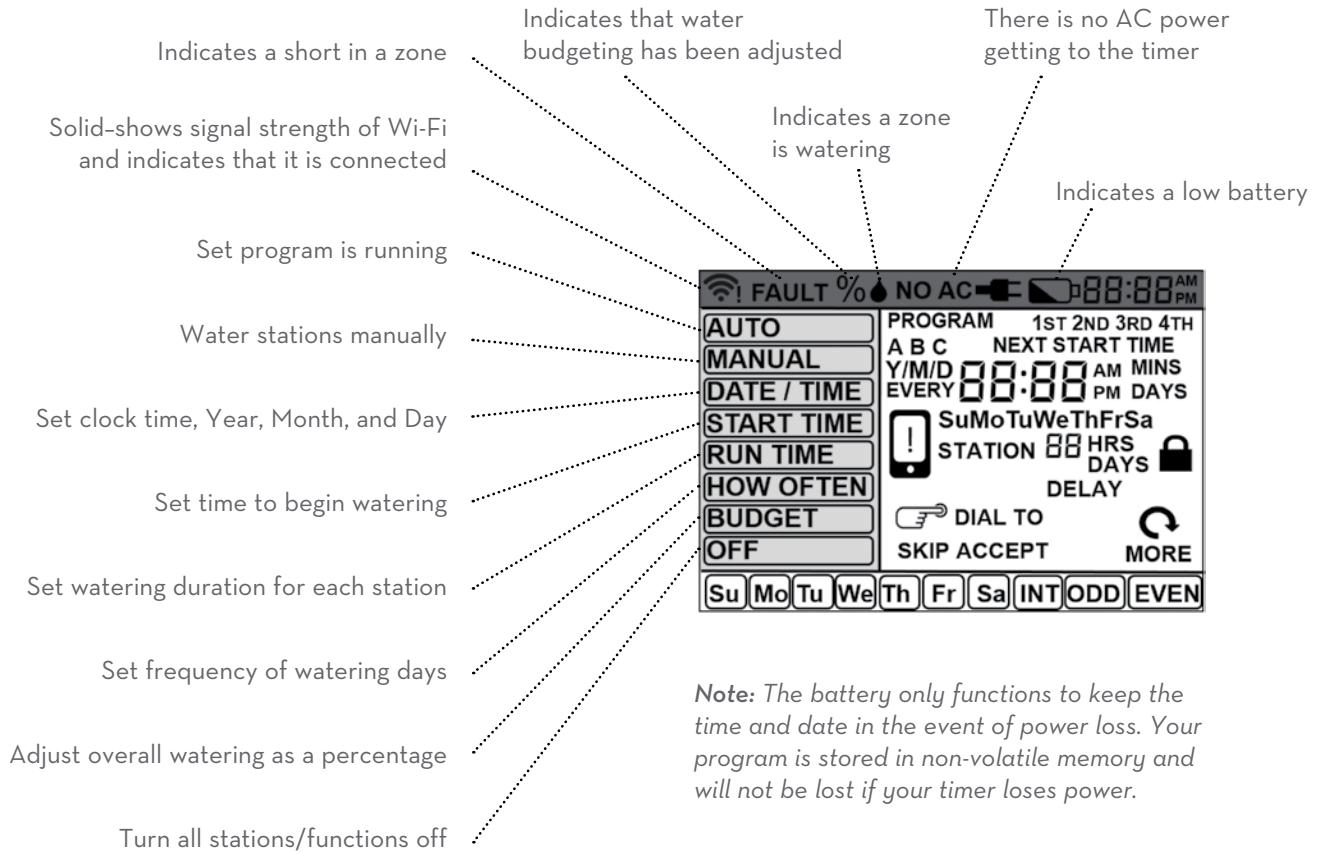
**PROG ABC:**

To move to a different program  
See page 8

**RAIN DELAY:**

To pause operation due to rain or other factors  
See page 11

# Digital Display



*Note: The battery only functions to keep the time and date in the event of power loss. Your program is stored in non-volatile memory and will not be lost if your timer loses power.*

# B-hyve™ App

You will need to Install the B-hyve™ app and create an account on your smart device after the timer is installed.

*Note: There is a wizard in the app to guide you through initial set up of your sprinkler timer. In addition, there are help icons throughout the app with more information and useful tips.*



# Installation

## Selecting a Location

When choosing a location for your timer, consider the following:

- Choose a location near an electrical outlet.
- Locate it where there is a good Wi-Fi signal.

**Tip:** You can check this using a smart phone. (Find a location that has a minimum of two bars.)

- Ensure operating temperatures are not below 32° or above 158° F (below 0° or above 70° C).
- Place it away from direct sunlight.
- Make sure there is 9" of space to the left of the sprinkler timer box, this allows the door to swing open after installation.
- There needs to be easy access to sprinkler wires (from valves).



Minimum Signal

**Important:** Timer is weather-resistant to UL-50 and ETL® Listings, but should not be placed in areas where continuous water could cause damage.

**Tip:** If replacing a timer, it is helpful to take a photo of the wires before you remove them from the old timer.

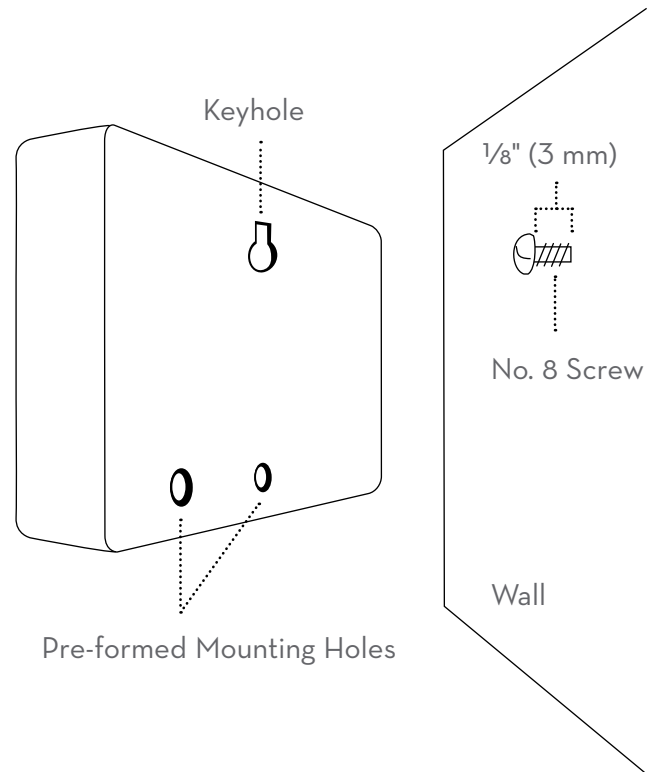
## Mounting the Timer

### Required Tools

- Small Flathead Screwdriver (included in hardware package)
- Wire Strippers
- Drill with 3/16" (4.8 mm) drill bit
- Level

**Tip:** Use the expanding anchors (included) for plaster, masonry or drywall installations.

1. Install a No. 8 screw (included) into the wall, leaving the screw head protruding 1/8" (3 mm) from the wall.
2. Hang the timer on the installed screw using the keyhole slot located in upper back cabinet.
3. Level the timer and install the second screw in one of the pre-formed mounting holes located on lower back cabinet to secure the timer.



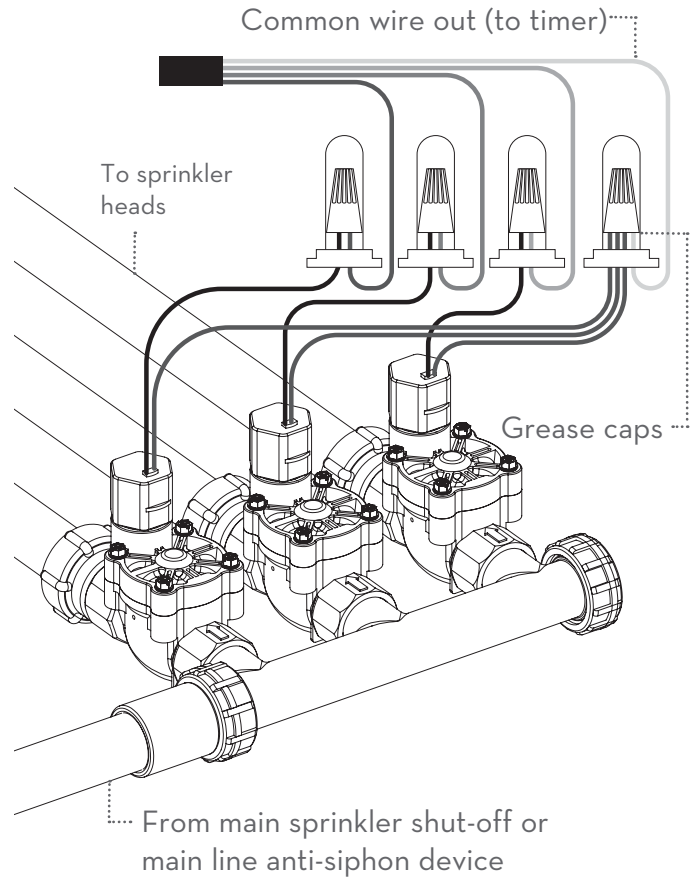
## Wiring the Sprinkler Valves

1. Strip 1/2" (13 mm) of plastic insulation off the end of each wire for both the valve and sprinkler timer wires.
2. Connect one wire from each valve to a single "Common" (COM) sprinkler wire (usually white).

**Tip:** It doesn't matter which wire on the valve you connect as long as it is at least one per each valve.

3. Connect the remaining wire from each valve to a separate colored sprinkler wire that will be connected to the terminal at the timer.

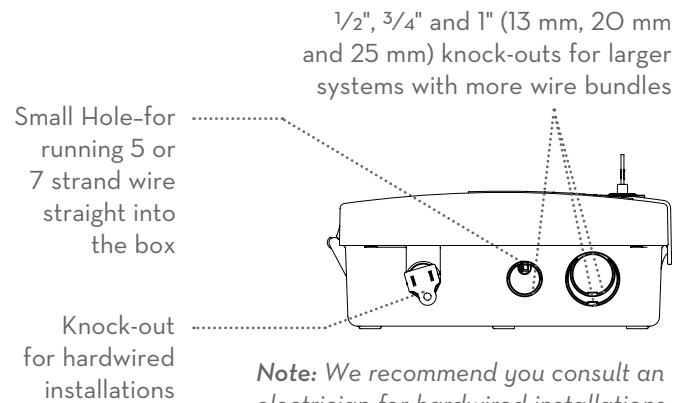
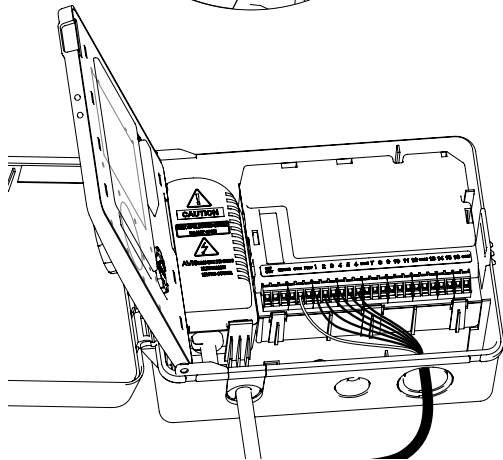
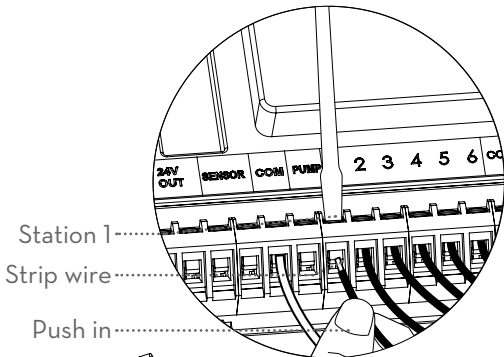
**Note:** If the distance between the sprinkler timer and valves is under 700' (210 m), use 20 gauge (AWG) wire to connect the sprinkler timer to the valves. If the distance is over 700' (210 m), use 16 gauge (AWG) wire.



**Important:** All wires should be joined together using wire nuts, solder, and/or vinyl tape. In wet environments like a valve box it is recommended to use Orbit Grease Caps to prevent corrosion of the connection and for protection from water infiltration.

**Important:** The wire can be buried in the ground; however, for more protection wires can be pulled through PVC pipe and buried underground. Be careful to avoid burying the wires in locations where they could be damaged by digging or trenching in the future.

## Wiring the B-hyve Timer



1. Strip 1/2" (13 mm) of plastic insulation off the end of each wire.
2. Loosen screws on terminal.
3. Push common wire into the common terminal and, using the included screwdriver, tighten the screw in the wire terminal to secure the wire.
4. Insert and tighten remaining wires to corresponding terminal locations

**⚠ WARNING:** To avoid electrical hazards, only one valve should be connected to each terminal (station).

**Important:** The maximum loading for each station/pump is 250mA, the maximum loading for the timer is 500mA.

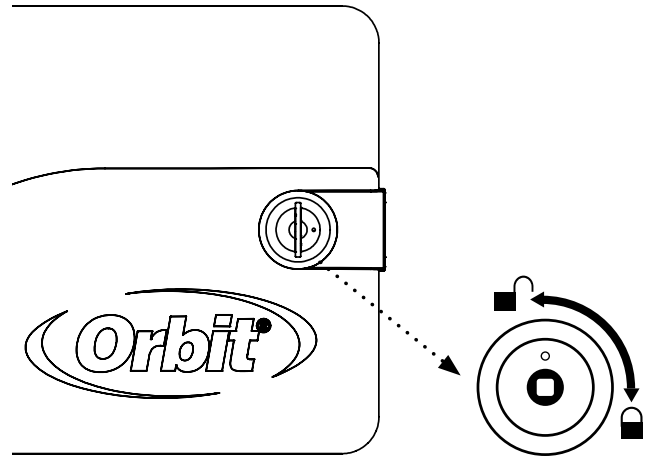
## Connecting Electrical Power

Once your B-hyve™ timer is plugged into the power source, it will automatically look to pair with your smart device. In the top left corner of the timer display the Wi-Fi icon will begin a graduated blinking sequence. This indicates that your timer is ready to pair with a smart device. See page 7 for details on how to pair timer.

If mounted in an outdoor location, shut the compartment door to keep the timer safe from weather damage.

**Indoor Locations**—Insert the power cord into an 110V electrical outlet.

**Outdoor Locations**—Insert the power cord into a 110 volt Ground Fault Interrupter (GFI) outlet.



**Important:** We recommend you consult an electrician for hardwired installations.

## Activating Battery

- Timer includes one Lithium CR2032 battery.
- The battery will maintain your time and date in case of an AC power loss.
- Annual replacement is recommended to avoid loss of programming.

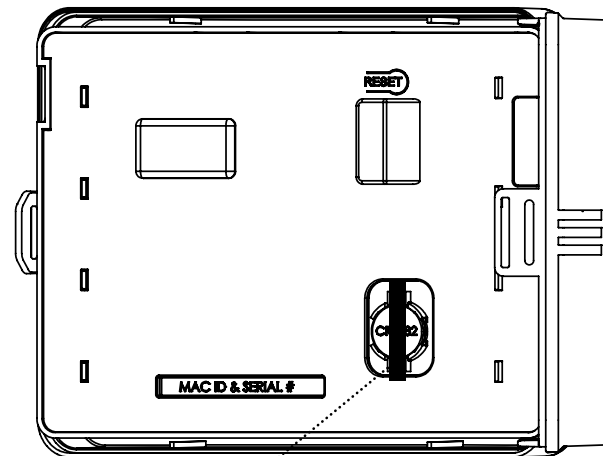
*Note: The battery alone will not operate the valves in your sprinkler system. The sprinkler timer has a built-in transformer that must be connected to an AC voltage source.*

**⚠ WARNING: Risk of Fire, Explosion, and Electric Shock.** Replace battery with Hitachi Maxell Ltd, Type CR2032 only. Use of a different battery has the potential for a risk of fire, explosion, and electric shock.

**⚠ WARNING: Chemical Burn Hazard.** Keep batteries away from children

**⚠ WARNING: This product contains a lithium button/coin cell battery.** If a new or used lithium button/coin cell battery is swallowed or enters the body, it can cause severe internal burns and can lead to death in as little as 2 hours. Always completely secure the battery compartment. If the battery compartment does not close securely, stop using the product, remove the batteries, and keep it away from children. If you think batteries might have been swallowed or placed inside any part of the body, seek immediate medical attention.

Even used cells may cause injury.



Remove plastic strip to activate battery

## Replacing the Battery

- To remove, lift on the edge of the coin cell battery. DO NOT use a screwdriver or other metal object.
- Insert a new CR2032 battery at an angle and press to click the battery into place
- Verify that the + side is up.

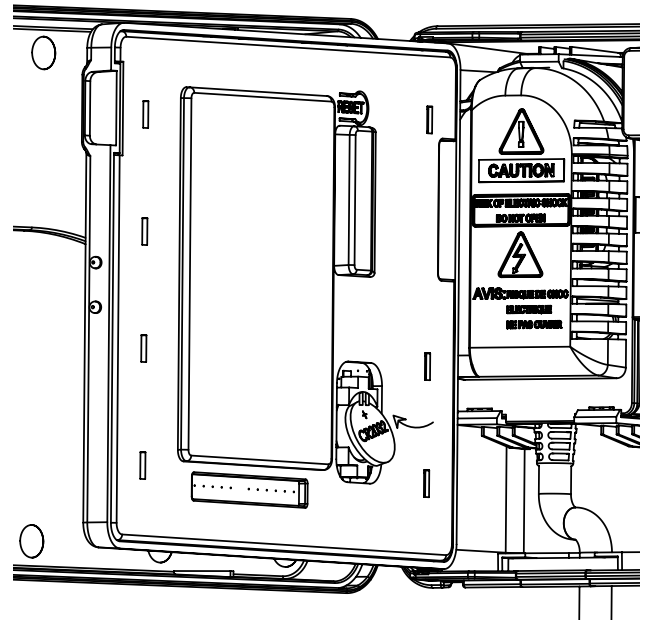
*Note: A weak or missing battery can cause the time and date to be erased after a power failure. If this happens, you will need to install a fully charged battery.*

**Important:** If, for any reason, your program is lost, the factory installed fail-safe program will turn on each station every day for 10 minutes

**⚠ WARNING:** The timer must be disconnected from the supply mains when removing the battery.

**⚠ WARNING:** Danger of explosion if battery is incorrectly replaced. Replace only with the same or equivalent type recommended by the manufacturer. Dispose of used batteries according to the manufacturer's instructions.

*Note: Battery should be disposed of properly.*



## Programming Connecting to Wi-Fi

Programming at the timer can be done whether you are connected to Wi-Fi or not. It allows the gardener who left their phone inside to run a manual cycle, or adjust programming as needed and keep dirty hands away from the phone. Otherwise, programming should be completed using the instructions included in the app.

### 1. Install B-hyve App

If you haven't already, install and create an account on your smart device.

### 2. Enter your Wi-Fi settings

The B-hyve™ timer will create its own network that will appear in your list of available Wi-Fi connections on your smart device. Connect to the Orbit Smart Home network and then return to the Orbit® B-hyve™ App.

*Note: You may need to delete the timer from a smart device. Go to settings to deauthorize the timer, after which it will ask for confirmation to remove the timer.*

*Find Orbit\_SmartHome\_XXXX in your Wi-Fi list*

After returning to the app, you will see a list of available networks. Choose your network and then enter the password for the network to connect your timer to your Wi-Fi signal. When connected, the Wi-Fi icon on the timer will stop blinking and show solid lines.

**Tip:** You can re-pair your smart device with your B-hyve™ timer by turning the dial to "Off" and pressing the reset button on the back of the swing panel. The timer display will show "Pair."

*Note: Press the Reset tab on the back of the swing panel to clear any previous factory programming.*



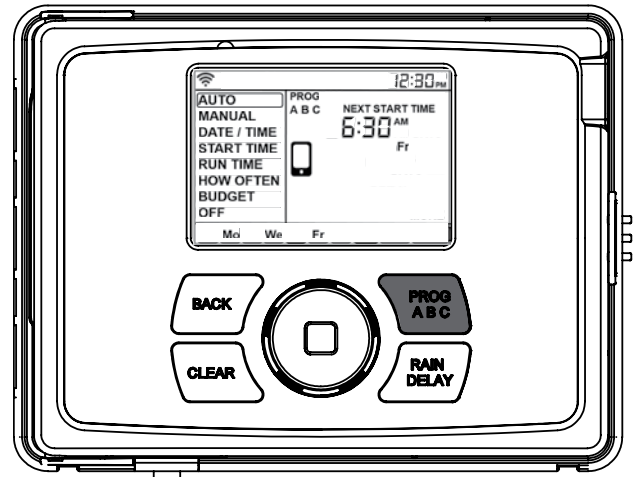
## Program Button (ABC)

Your sprinkler timer provides the flexibility of using 3 independent programs (A,B,C). A program is where you store all of your sprinkler settings. It consists of a group of stations set to specific start times and run times. Multiple programs allow you to run different valves on different days with different run times. While many applications only require one program (A), using multiple programs can be useful for drip areas, newly planted lawn, or rotary sprinkler stations. Using programs to group stations with similar water needs will maximize irrigation efficiency.

**For example:** you could set your lawn zones to run on program A, your flowerbeds to run on program B and your garden to run on program C. Or, you can set up your zones to use smart watering and the timer will use local weather and on-site information to automatically set a watering schedule for you.

The PROG ABC button toggles between programs when setting up or modifying start times, run times, how often and budget.

1. Press PROG ABC to turn on or off programs that have been set-up. A, B, C or Smart will illuminate to show programs that are active and will water.
2. To water in smart mode only, the Phone icon is the only program that should be showing on the display.



**Note:** If you do not see the program letter (A, B, C or the phone) in the display, that program will not water. Press PROG ABC until you see the program(s) that you wish to water.

**Note:** Always be aware of the program you are in (A, B, or C) when you are making changes.

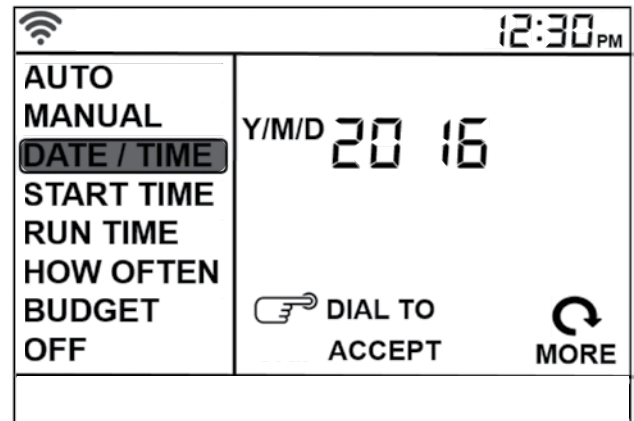
## Date/Time

If you are connected to Wi-Fi, the time and date will automatically be sent to the sprinkler timer. To set the date and time manually follow these instructions:

3. Turn the dial until the selection box is on DATE/TIME.
4. Press the dial. You will now see the Y (Year) flashing.
5. Turn the dial until the current year is displayed.
6. Press the dial to confirm the year. You will now see the M (Month) flashing.
7. Repeat steps 3 & 4 to enter the month and day.
8. After the day is confirmed, the time will start flashing.
9. Turn the dial until the current hour is displayed.

**Note:** Continue turning the dial to go between am and pm. It is important to verify that the am or pm selection is set correctly.

10. Press the dial to confirm the hour.
11. Repeat steps 7 & 8 for the minutes. Your Date and Time are now set.



## Start Time

This is the time of day that your programmed watering starts, the first zone will begin watering at the 1st start time. You can set up to 4 start times. When a start time is set before the previous program has completed, that start time will be “stacked” or delayed, and will start upon completion of the previous program.

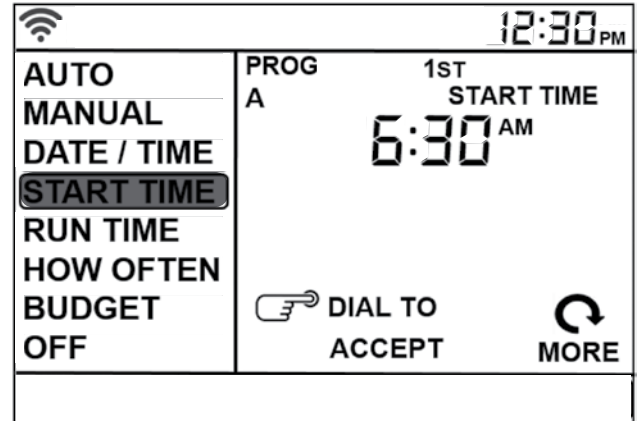
**Tip:** Only one start time is needed to run all of your zones.

1. Turn the dial until the selection box is on START TIME.
2. Press the dial. You will now see the hour dashes (--) flashing.
3. Turn the dial until the desired start time hour is reached.

**Note:** Continue turning the dial to go between am and pm.

4. Press the dial to confirm the start time hour. You will now see the minute dashes (--) flashing.
5. Turn the dial until the desired start time minutes are displayed.
6. Press the dial to confirm the start time minutes.

**Note:** After pressing the dial, the timer will automatically advance to the 2nd start time. If additional start times are needed, repeat this process. Additional start times are helpful to avoid run off and allow time for the soil to absorb the water.



**Example:** Bill just planted new grass seed and wants to water three times per day. He sets START TIME 1 for 5 am, START TIME 2 for 12 pm, and START TIME 3 for 5 pm. He also sets HOW OFTEN to INT (interval) EVERY 1 DAYS (see section 3, HOW OFTEN). In AUTO mode the system will water 3 times per day. Once Bill's sod is established he can CLEAR start times 2 and 3 and return to watering just once per day.

- Press PROG ABC to set up start times for additional programs and repeat the above steps.

## Run Time

This is where you will set up how long of a watering duration each station will run. The station is the area or zone that will be watered by each valve.

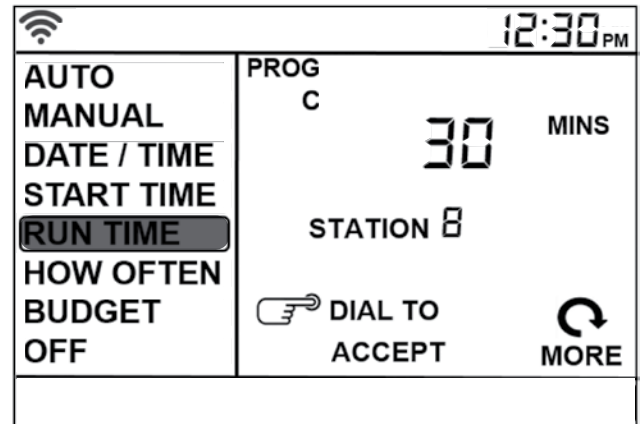
7. Turn the dial until the selection box is on RUN TIME.
8. Press the dial. You will now see the STATION number flashing.
9. Turn the dial until the zone number you want to program is reached.
10. Press the dial to confirm the zone. You will now see the MINS flashing.
11. Turn the dial until the desired duration for that zone is reached.
12. Press the dial to confirm the duration run time.

**Note:** Your timer will automatically advance to the next station and the MINS will be flashing.

13. Repeat steps 5 & 6 for each zone you wish to set up.

- If you wish to set-up zones in different programs (A B or C), press the PROG ABC button until the desired program is displayed and repeat the steps.

**Note:** Press the BACK button to return to the main lcd menu.



## How Often

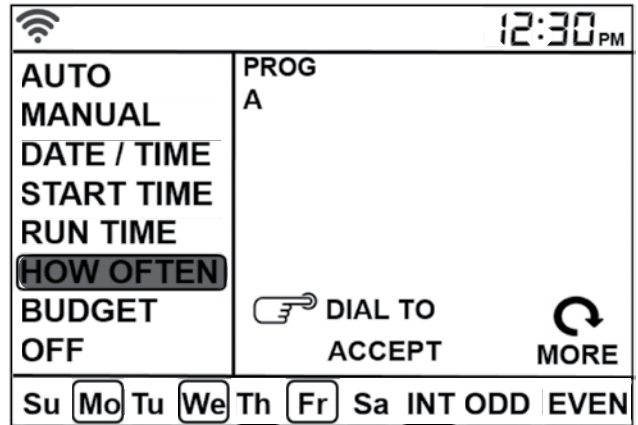
There are three options when determining how often (what days or intervals) the timer will water.

- Days of the week (Mon, Tues, Wed, etc.)
- Intervals (Every “X” number of days)
- Odd or Even Days

## Days of the Week

1. Turn dial until the selection box is on HOW OFTEN.
2. Press the dial. You will now see Su (Sunday) flashing.
3. Turn the dial until your desired day of the week is flashing.
4. Press the dial to confirm your selection and a frame will appear around the selected day.
5. Repeat this process until all of the desired watering days have a box around them.
6. Press BACK to return to the main menu.
7. Turn the dial to Auto and press the dial to select. You have programmed your timer!

- To remove a previously entered day, turn the dial to the day and press the dial to de-select the day.
- If you wish to erase all watering days, press the CLEAR button.

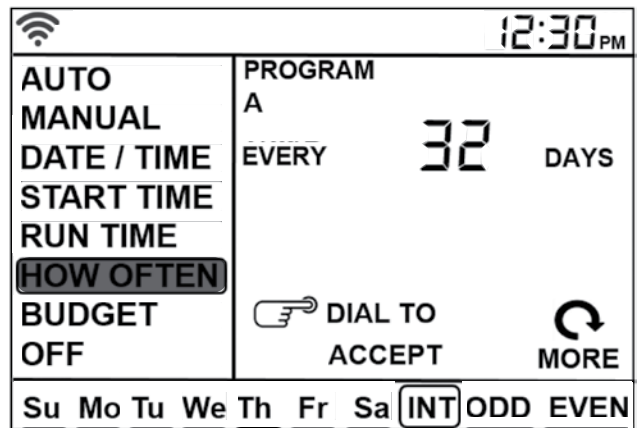


## Intervals

1. Turn dial until the selection box is on HOW OFTEN.
2. Press the dial. You will now see Su (Sunday) flashing.
3. Turn the dial to INT.
4. Press the dial to confirm. A frame will appear around INT and EVERY 1 DAYS will appear in the display. 1 will be flashing and is the default interval.
5. Turn the dial to increase the number, press the dial when your desired number of days between waterings is reached.

*Example: An interval of 1 will water every day; an interval of 3 will water every 3rd day, etc.*

6. Press BACK to return to the main menu.
7. Turn the dial to Auto and press the dial to select. You have programmed your timer!



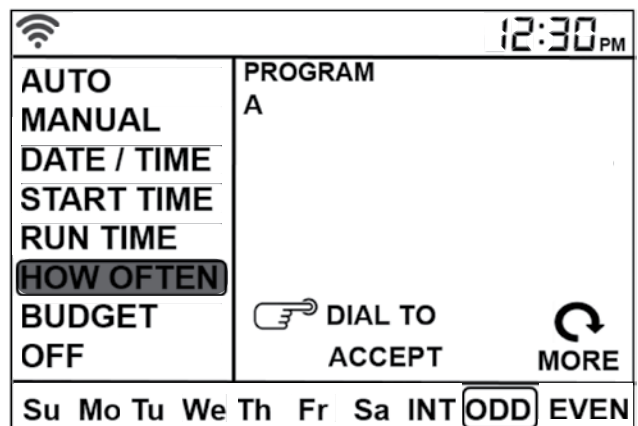
## Odd or Even Days

1. Turn dial until the selection box is on HOW OFTEN.
  2. Press the dial. You will now see Su (Sunday) flashing.
  3. Turn the dial to ODD or EVEN.
- Press the dial to confirm. A frame will appear around ODD or EVEN.

*Example: Odd: 1st, 3rd, 5th, etc.*

*Example: Even: 2nd, 4th, 6th, etc.*

4. Press BACK to return to the main menu.
5. Turn the dial to Auto and press the dial to select. You have programmed your timer!



## Auto

The timer should be in AUTO during the irrigation season and OFF in the winter months or the non-irrigation months.

Turn the dial to the AUTO position and press the dial or just leave it there to keep it in AUTO.

If the dial selection is left in any position other than OFF, it will revert back to AUTO after approximately 20 seconds.

To turn your timer OFF, turn the dial to OFF and press the dial or just leave it in the OFF position.

**Tip:** You can change it to off or auto in the APP.

## Additional Features

### Rain-Delay

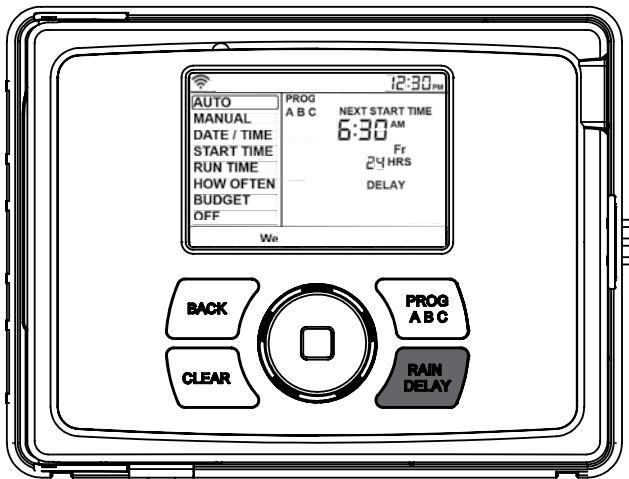
The Rain Delay button can be used to delay your sprinkler timer from watering for a duration of 1 to 32 days. At the end of the selected rain delay amount of time, automatic watering resumes.

1. Make sure the timer is set to AUTO.
2. Press the Rain Delay button to automatically delay watering for 24 hours.

**Note:** If a longer Rain Delay is desired, press the rain delay button repeatedly or turn the dial until the desired number of delayed days is reached.

- While in rain delay mode, the timer will display the number of remaining rain delay days or hours.
- To cancel a rain delay, press the CLEAR button and the watering schedule will resume.
- To activate or deactivate the rain sensor terminals, press and hold the RAIN DELAY button for 5 seconds.

**Note:** This feature is helpful for bypassing the sensor if watering is needed before the sensor is dry and watering is resumed.



## Budget

The water budgeting feature makes it easy to change all of your run times without having to change them one by one. This is perfect for adjusting all zones for seasonal changes.

Adjustment range is from 10% to 200% by increments of 10%. The default value is 100%, which means your timer will run each zone for exactly the number of minutes you entered as the run time. The budgeting will remain at the adjusted range until you change it.

1. Turn the dial until the selection box is on budget.
2. Press the dial. You will now see numbers flashing.  
**Note:** 100 is the default number.
3. To adjust, turn the dial to the desired budget percentage. Adjusting budget will adjust all of the run times in a program by the percentage chosen.

**Example:** If you have zones set up to water for 10 minutes and you adjust your budget from 100% to 150%, those same zones will water for 15 minutes without having to change each run time.

4. Press the dial to confirm your selection. If you are setting up additional programs (A B or C), press the PROG ABC button until the desired program is displayed and repeat this process.

## Manual

Your timer has the ability to allow you to manually water without disturbing the preset program. Manual is used to test zones or to run an extra cycle for a zone, program, or for all zones.

To water all zones

1. Turn the dial until the selection box is on Manual.
2. Press the dial. You will now see ALL show in the display.
3. Press the dial again. You will now see 0 flashing.
4. Turn the dial until the desired manual duration is reached.
5. Press the dial to begin watering.

**Note:** If the manual run time has not been set, the timer will not initiate manual watering and the screen will return to the current time.

To water a specific program(s)—A, B or C

1. Turn the dial until the selection box is on MANUAL.
2. Press the dial. You will now see ALL show in the display.
3. Turn the dial until the program(s) you wish to water is showing (all ABC, or A, B, or C individually).
4. Press the dial to begin watering the selected program.

To water a specific zone

1. Turn the dial until the selection box is on MANUAL.
2. Press the dial. You will now see ALL show in the display.
3. Turn the dial past the A, B, C programs until STATION 1. Press the dial. You will see 0 and MINS appear in the display.
4. Turn the dial until the station you want to run appears in the display.
5. Press the dial. The 0 will flash once.
6. Turn the dial until the number of minutes you want to run the station appears.
7. Press the dial to begin watering the specified program.

**Example:** To manually water on zone 3 for five minutes, turn the dial to [MANUAL] then press the dial. Turn the dial until you see station 6 or 12, press the dial and turn it until you see station 3, then press the dial again. Turn the dial until five minutes shows in the display then press the dial.

**Note:** While your programmed manual station is running, you can program more than one specific zone using this process. Repeat the steps for zone selection and duration to water additional zones.

To stop manual watering press CLEAR.

## Rain Sensor

Connect the rain sensor wires to the wiring terminal ports labeled "Sensor".

**Note:** Refer to your rain sensor manual for specific wiring instructions.

Rain Sensor Bypass

This sprinkler timer is equipped with a sensor override "on/off". This is for use during maintenance and repairs, so the sprinkler timer can be operated even if the rain sensor is in active mode. To override the sensor, press and hold the Rain Delay button for 5 seconds.

The display will show SENS and OFF or SENS and ON.

**Important:** If the rain sensor is "on" and no sensor is connected, the sprinkler timer will not operate. To resume sprinkler timer operation press and hold the Rain Delay button for 5 seconds or reconnect the jumper wire to the sensor terminals.

## Pump Start & Master Valve

This sprinkler timer allows a master valve or pump start relay to operate whenever a station is on.

**Note:** If you are activating a pump from this timer, you must purchase a Pump Start Relay. From the pump start relay (or master valve); connect one wire to the "Pump" terminal and the other wire to the "Common" terminal.

## Term Definition

### START TIME

The time the program begins watering the first programmed station.

### VALVE

Supplies water to a specific station or area. The opening and closing of the valve is accomplished through electrical current supplied by the sprinkler timer.

### MASTER VALVE

Typically located at the main water source. Turns on and off water for the entire irrigation system when not in use.

### MULTIPLE START TIMES

A controller feature that allows a program to be operated multiple times on the same watering day.

### OVERLAPPING PROGRAMS

When a "Start Time" is set for a program before the previous program has completed.

### PROGRAM (A, B, OR C)

Individual programs as set by the user. Each program operates independently. If one program overlaps the other the programs will be "stacked." After the first program finishes the next program will begin.

### RAIN DELAY

A feature that postpones the running of a scheduled watering program for a specific duration.

### SOLENOID

The electrical part on an irrigation valve that opens and closes the valve.

### SPRINKLER TIMER

A device which instructs the station valves to operate.

### STATION

A grouping of sprinklers operated by a single valve which is controlled by the timer.

### WATERING BUDGETING

Adjusts your overall watering program as a percentage of total watering duration.

# Troubleshooting

Problem	Possible cause
One or more valves do not turn on	1. Faulty solenoid connection
	2. Wire damaged or severed
	3. Flow control stem screwed down, shutting valve off
	4. Programming is incorrect
Stations turn on when they are not supposed to	1. Water pressure is too high
	2. More than one start time is programmed
	3. AM/PM is incorrect
One station is stuck on and will not shut off	1. Faulty valve
	2. Particles of dirt or debris stuck in valve
	3. Valve diaphragm faulty
All valves do not turn on	1. Transformer defective or not connected
	2. Programming is incorrect
Timer will not power	1. Transformer not plugged into a working outlet
Valves continue to turn on and off when they are not programmed	1. More than one start time is programmed with overlapping schedules
	2. Excessive pressure
Display says Fault and flashes a zone number	1. Short in the wire
	2. Short in the solenoid



## Specifications

Rated input:

Australia—240V AC 50/60Hz 0.15A

Europe—230V AC 50/60Hz 0.15A

USA—120V AC 60Hz 0.15A

Max load:

AUS & EU - 24V AC 1 Amp 50/60 Cycle

USA—24V AC 750 mA 60Hz

Temperature Operating Range:

Operating: 32-167° F (0-75° C)

Storage & transport: 32-176° F (0-80° C)

Humidity Operating Range:

Operating: 0-80%

Storage & transport: 0-90%

Altitude: 6,500' (2,000 meters)

IPX5 Rating

Installation Class II

Over Voltage Category II

**▲WARNING: Battery must be removed from the timer before it is scrapped.**

### Help

If the app and the website don't have what you're looking for, please call our technical support line before returning this sprinkler timer to the store.

1-800-488-6156 or 1-801-299-5555

[www.orbitonline.com](http://www.orbitonline.com) | [bhyve.orbitonline.com](http://bhyve.orbitonline.com)

### Listings

The sprinkler timer is tested to UL-50 standard & is ETL® listed.

Disconnection: Type 1Y

Normal Pollution Situation.

The supply cord of this control can be replaced only by the manufacturer or his accredited service agent.

**Note:** This equipment has been tested and found to comply with the limits for a Class B digital device, pursuant to Part 15 of the FCC Rules. These limits are designed to provide reasonable protection against harmful interference in a residential installation. This equipment generates, uses and can radiate radio frequency energy and, if not installed and used in accordance with the instructions, may cause harmful interference to radio communications. However, there is no guarantee that interference will not occur in a particular installation. If this equipment does cause harmful interference to radio or television reception, which can be determined by turning the equipment off and on, the user is encouraged to try to correct the interference by one or more of the following measures:

- Reorient or relocate the receiving antenna.
- Increase the separation between the equipment and receiver.
- Connect the equipment into an outlet on a circuit different from that to which the receiver is connected.
- Consult the dealer or an experienced radio/TV technician for help.

**Caution:** This appliance is not intended for use by young children or infirm persons without supervision. Young children should be supervised to ensure that they do not play with the appliance.

**IMPORTANT INFORMATION ABOUT YOUR RIGHTS AND OBLIGATIONS, AS WELL AS LIMITATIONS AND EXCLUSIONS THAT MAY APPLY TO YOU.**

#### 1. YOUR RIGHTS AND THIS LIMITED WARRANTY

This Limited Warranty gives you specific legal rights. You may also have other legal rights that vary by state, province or jurisdiction. The disclaimers, exclusions, and limitations of liability under this Limited Warranty will not apply to the extent prohibited by applicable law. For a full description of your legal rights you should refer to the laws applicable in your jurisdiction and you may wish to contact a relevant consumer advisory service.

#### 2. WHAT THIS LIMITED WARRANTY COVERS; PERIOD OF COVERAGE

Orbit Irrigation Products, Inc. ("Orbit") warrants to the owner of the enclosed product that the product contained in this box ("Product") will be free from defects in materials and workmanship for a period of two (2) years from the date of delivery following the original retail purchase (the "Warranty Period"). If the Product fails to conform to this Limited Warranty during the Warranty Period, Orbit will, at its sole discretion, either (a) repair or replace any defective Product or component; or (b) accept the return of the Product and refund the money actually paid by the original purchaser for the Product. Repair or replacement may be made with a new or refurbished product or components, at Orbit's sole discretion.

If the product or a component incorporated within it is no longer available, Orbit may replace the Product with a similar product of similar function, at Orbit's sole discretion. This is your sole and exclusive remedy for breach of this

Limited Warranty. Any Product that has either been repaired or replaced under this Limited Warranty will be covered by the terms of this Limited

Warranty for the longer of thirty (30) days from the date of delivery or the remaining Warranty Period. This Limited Warranty is transferable from the original purchaser to subsequent owners, but the Warranty Period will not be extended in duration or expanded in coverage for any such transfer.

#### 3. WARRANTY CONDITIONS; HOW TO GET SERVICE IF YOU WANT TO CLAIM UNDER THIS LIMITED WARRANTY

Before being able to claim under this Limited Warranty, the owner of the Product must notify Orbit of the intention to claim by visiting [www.orbitonline.com/contact](http://www.orbitonline.com/contact) during the Warranty Period and provide a description of the alleged failure, and comply with Orbit's return shipping instructions. Orbit will have no warranty obligations with respect to a returned Product if it determines, in its reasonable discretion after examination of the returned Product, that the Product is an Ineligible Product (defined below). Orbit will bear all costs of return shipping to owner and will reimburse any shipping costs incurred by the owner, except with respect to any Ineligible Product, for which owner will bear all shipping costs.

#### 4. WHAT THIS LIMITED WARRANTY DOES NOT COVER

This warranty does not cover the following (collectively "Ineligible Products"): Products marked as "sample" or sold "AS IS"; or Products that have been subject to: (a) modifications, alterations, tampering, or improper maintenance or repairs; (b) handling, storage, installation, testing, or use not in accordance with instructions provided by Orbit; (c) abuse or misuse of the Product; (d) breakdowns, fluctuations, or interruptions in water supply, electric power or the telecommunications network; or (e) Acts of God, including lightning, flood, tornado, earthquake, or hurricane. This warranty does not cover consumable parts, including batteries, unless damage is due to defects in materials or workmanship of the Product, or software (even if packaged or sold with the product). Orbit recommends that you use only authorized service providers for maintenance or repair. Unauthorized use of the Product or software can impair the Product's performance and may invalidate this Limited Warranty.

Unless explicitly promising a "guarantee," Orbit does not guarantee or promise any specific level of water savings, garden and lawn health, or other benefit from the use of a Product or any feature of it. Actual water savings, garden and lawn health, and other benefits vary with factors beyond Orbit's control or knowledge.

**5. DISCLAIMER OF WARRANTIES EXCEPT AS STATED ABOVE IN THIS LIMITED WARRANTY, AND TO THE MAXIMUM EXTENT PERMITTED BY APPLICABLE LAW, ORBIT DISCLAIMS ALL EXPRESS, IMPLIED, AND STATUTORY WARRANTIES AND CONDITIONS WITH RESPECT TO THE PRODUCT, INCLUDING THE IMPLIED WARRANTIES OF MERCHANTABILITY AND FITNESS FOR A PARTICULAR PURPOSE. TO THE MAXIMUM EXTENT PERMITTED BY APPLICABLE LAW, ORBIT ALSO LIMITS THE DURATION OF ANY IMPLIED WARRANTIES OR CONDITIONS TO THE DURATION OF THIS LIMITED WARRANTY.**

**6. LIMITATION OF DAMAGES IN ADDITION TO THE ABOVE WARRANTY DISCLAIMERS, IN NO EVENT WILL ORBIT BE LIABLE FOR ANY CONSEQUENTIAL, INCIDENTAL, EXEMPLARY, OR SPECIAL DAMAGES, INCLUDING ANY DAMAGES FOR LOST DATA OR LOST PROFITS, ARISING FROM OR RELATING TO THIS LIMITED WARRANTY OR THE PRODUCT, AND ORBIT'S TOTAL CUMULATIVE LIABILITY ARISING FROM OR RELATED TO THIS LIMITED WARRANTY OR THE PRODUCT WILL NOT EXCEED THE AMOUNT ACTUALLY PAID FOR THE PRODUCT BY THE ORIGINAL PURCHASER.**

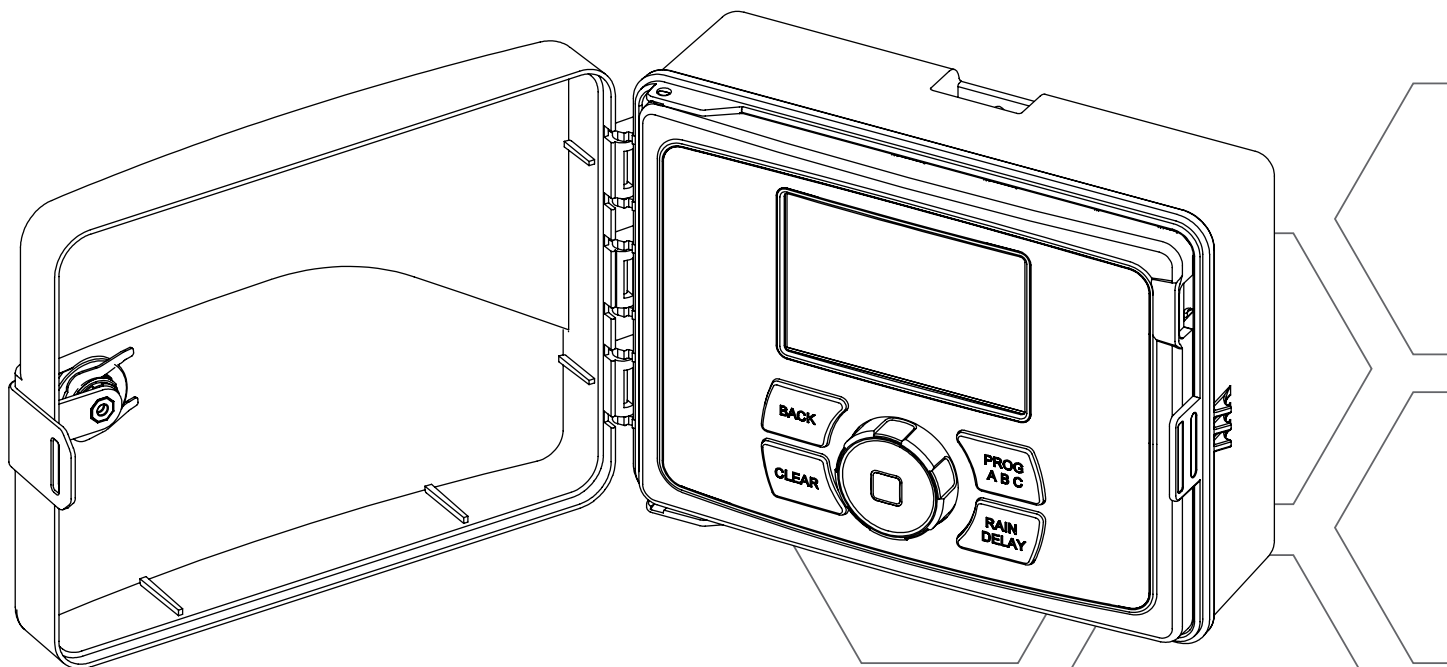
**7. LIMITATION OF LIABILITY YOU HAVE THE ABILITY TO USE CERTAIN ORBIT SERVICES ("SERVICES") WITH YOUR PRODUCTS. YOUR USE OF THOSE SERVICES ARE SUBJECT TO SEPARATE TERMS OF SERVICE.**

**8. VARIATIONS THAT MIGHT APPLY TO THIS LIMITED WARRANTY**  
Some jurisdictions do not allow limitations on how long an implied warranty lasts or exclusions/limitations on incidental or consequential damages, so some of the limitations set out above may not apply to you.

Bienvenue chez

**b•hyve™**

MINUTERIE D'ARROSAGE  
INTELLIGENTE ET WIFI



Guide de  
l'utilisateur



# Bienvenue chez B-hyve™

La nature est un jardinier merveilleux, elle vous accompagne subtilement pour prendre soin de votre jardin. Les abeilles constituent un excellent exemple de ce processus remarquable et invisible qui aide vos plantes à se développer. La ruche est une centrale où cet effort est coordonné. La nature fait un excellent travail, mais parfois, elle a besoin d'un peu d'aide. C'est là que nous intervenons. Lorsque vous connectez votre arroseur automatique B-hyve à votre Wi-Fi, vous vous connectez à la nature. Les données météorologiques croisées avec les caractéristiques de votre terrain permettront de maîtriser votre consommation d'eau, d'éviter le gaspillage et ainsi économiser de l'argent. Merci de vous être connecté et bienvenue dans le monde de B-hyve !

Rappelez-vous, vous pouvez configurer votre dispositif avec l'application. Mais, si vous n'avez pas de réseau Wi-Fi ou si vous souhaitez simplement profiter que vous êtes dans votre jardin pour réaliser un réglage, vous pouvez le faire directement sur l'appareil. Les modifications réalisées sur l'appareil apparaîtront dans l'application et les modifications réalisées dans l'application seront reflétées sur l'appareil.

De plus, l'application propose des écrans d'aide et des vidéos pour vous aider avec la connexion à votre réseau Wi-Fi, la mise en place de programmes, la gestion de l'arrosage intelligent et toute autre question générale que vous pourriez avoir.

Si vous ne trouvez pas ce que vous cherchez sur l'application ou sur le site Web, veuillez contacter notre centre d'assistance technique.

## Aide

1-800-488-6156 or 1-801-299-5555  
www.orbitonline.com  
bhyve.orbitonline.com

Avant de rapporter votre appareil au magasin, contactez le centre d'assistance technique d'Orbit ici:  
1-800-488-6156 or 1-801-299-5555

POUR OPTIMISER LES  
RÉSULTATS, CONNECTEZ VOTRE  
DISPOSITIF À VOTRE RÉSEAU  
WIFI POUR RECEVOIR LES  
DERNIÈRES MISES À JOUR.

## Table des matières

### Pièces

Sprinkler Timer.....	2
Commandes de la minuterie .....	2
L'écran .....	3
L'application B-Hyve .....	3

### Installation

Sélection d'un emplacement .....	4
Montage de votre appareil.....	4
Installation des câbles de valves.....	5
Connexion de la minuterie B-Hyve.....	5
Raccordement électrique .....	6
Activating les piles .....	6
Replacing les piles.....	7

### La programmation

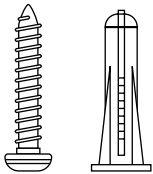
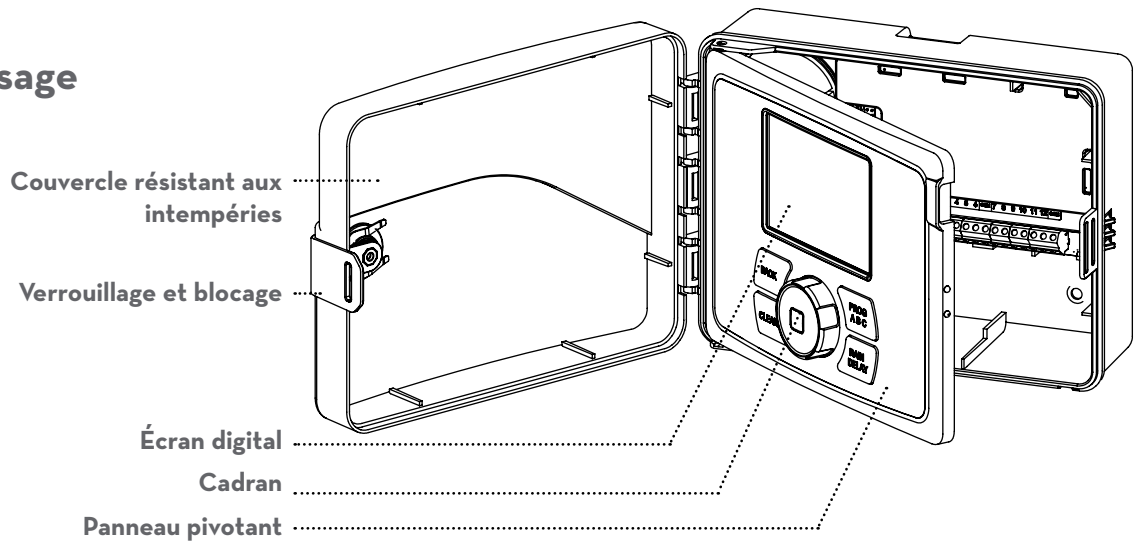
Connexion Wi-Fi.....	7
Bouton PROG ABC.....	8
Date/Heure.....	8
Heure de début.....	9
Durée d'arrosage.....	9
Fréquence d'arrosage .....	10
Auto .....	11

### Autres Fonctionnalités

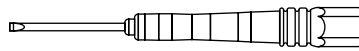
Délai de pluie .....	11
Gestion de l'eau.....	11
Mode manuel .....	11
Capteur de pluie .....	12
Démarrage de la pompe.....	12
Définition des termes .....	12
Résolution des problèmes.....	13
Spécifications.....	14

# Pièces

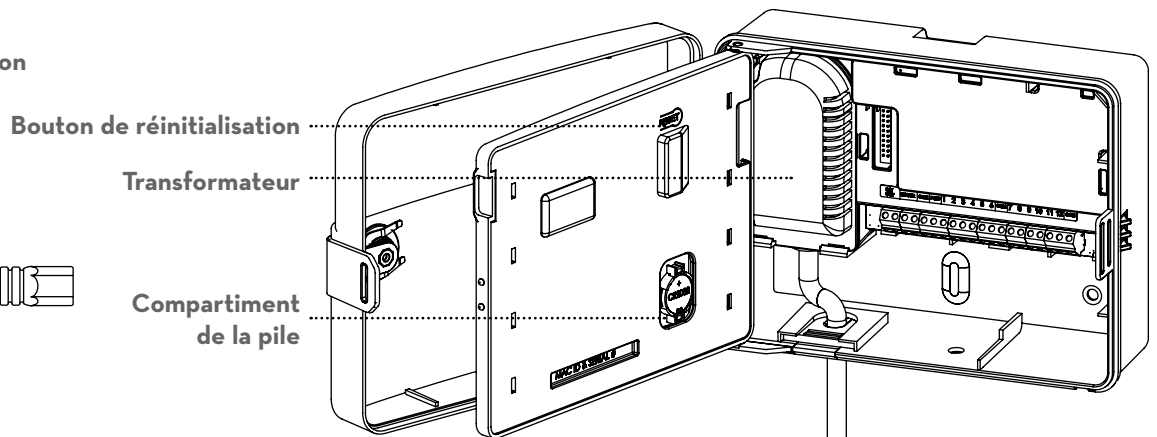
## Minuterie d'arrosage



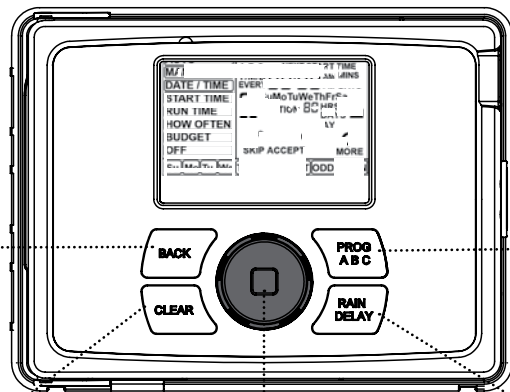
Matériel d'installation



Tournevis



## Commandes de la minuterie



**BACK (retour):**

Pour revenir en arrière ou revenir au menu principal

*Remarque:* vous pouvez appuyer 2 fois sur BACK (retour) pour revenir à l'auto

**CLEAR (supprimer):**

Pour supprimer un paramètre

*Remarque:* Le bouton CLEAR peut également être utilisé pour annuler le Délai de pluie, annuler un programme en cours d'exécution ou annuler un cycle d'arrosage manuel.

**MOLETTE:**

Permet de naviguer en haut ou en bas, vers la gauche ou vers la droite. Appuyez pour sélectionner une option.

*Remarque:* Si le curseur du menu de l'appareil est sur n'importe quelle position autre que OFF, il reviendra sur AUTO après environ 20 secondes.

**PROG ABC:**

Pour passer à un programme différent  
Voir page 8 pour plus de détails

**RAIN DELAY (délai de pluie):**

Pour interrompre l'opération en raison de la pluie ou d'autres facteurs. Voir page 11

## Affichage Numérique

Indique une zone d'assèchement (voir le chapitre résolution des problèmes)

Indique que la gestion de l'eau a été ajustée

L'appareil n'est pas branché

Indique si l'appareil est connecté et la puissance du signal Wi-Fi. Voir XX pour plus de détails.

Indique qu'une zone est arrosée

Indique une batterie faible.

Le programme défini est en cours d'exécution

Arrosage manuel de la station

Définir l'heure, l'année, le mois et le jour de l'horloge

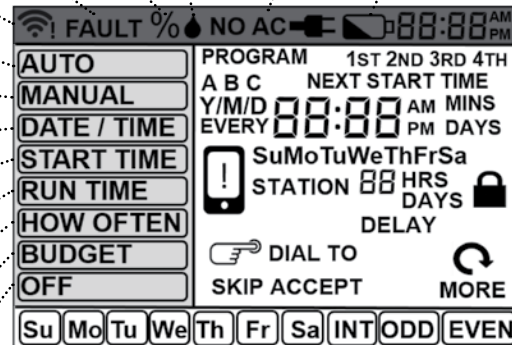
Réglage de l'heure de début d'arrosage

Définir la durée d'arrosage pour chaque station

Réglage de la fréquence des jours d'arrosage

Définir l'arrosage global en pourcentage

Désactiver toutes les stations/fonctions



*Remarque: La pile n'est là que pour conserver l'heure et la date en cas de perte de courant. Votre programme est stocké dans une mémoire non volatile et ne sera pas perdu si l'appareil n'est plus alimenté.*

## Application B-hyve™

Vous devrez installer l'application B-hyve™ et créer un compte pour votre appareil après l'avoir installé.

*Remarque: Il existe un assistant dans l'application pour vous guider durant la configuration initiale de votre appareil d'arrosage. De plus, des icônes d'aide vous accompagneront durant votre utilisation de l'application pour vous donner plus d'informations et des conseils utiles.*



# Installation

## Sélection d'un emplacement

Lorsque vous choisissez un emplacement pour votre appareil:

- Choisissez un emplacement situé près d'une prise électrique.
- Choisissez un emplacement avec un bon signal Wi-Fi.

**Conseils:** utilisez votre smartphone pour vérifier. (choisissez un emplacement avec au moins deux barres)

- Assurez-vous que la température n'est pas inférieure à 0 °C ou supérieure à 70 °C.
- Faites en sorte que l'appareil ne soit pas trop exposé à la lumière directe du soleil.
- Assurez-vous de laisser une vingtaine de centimètres d'espace à gauche de la boîte de l'appareil, cela permet d'ouvrir le couvercle.
- L'accès aux câbles de l'arroseur automatique doit être facile (à partir des vannes).



Signal minimum

**Important:** l'appareil résiste aux intempéries (liste UL-50 et ETL®), mais ne doit pas être placé continuellement sous l'eau, car il pourrait être endommagé.

**Conseils:** si vous remplacez votre appareil, prenez une photo des câbles avant de les retirer.

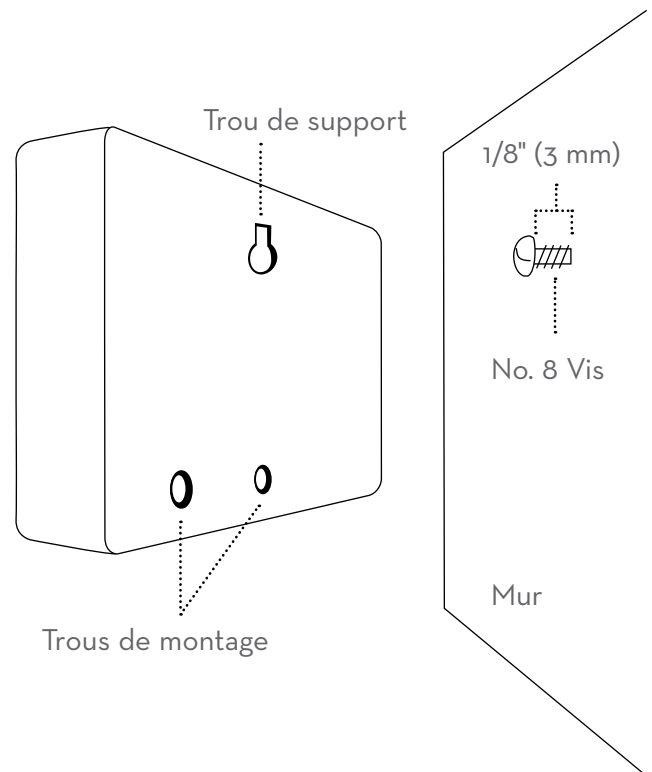
## Montage de votre appareil

Outils requis

- Tournevis petit à tête plate (inclus dans le paquet)
- Pôles de connexion
- Perçage 4,8 mm
- Niveau

**Conseils:** utilisez les goujons d'ancrage (inclus) pour les installations sur les murs en plâtre, en béton ou en placo.

1. Installez une vis n° 8 (incluse) dans le mur, laissez dépasser la tête de la vis de 3 mm.
2. Accrochez l'appareil sur la vis installée à l'aide de la fente située en haut, à l'arrière du boîtier.
3. Nivelez l'appareil et installez la deuxième vis dans l'un des trous inférieurs pour le fixer.



## Installation des câbles de vannes

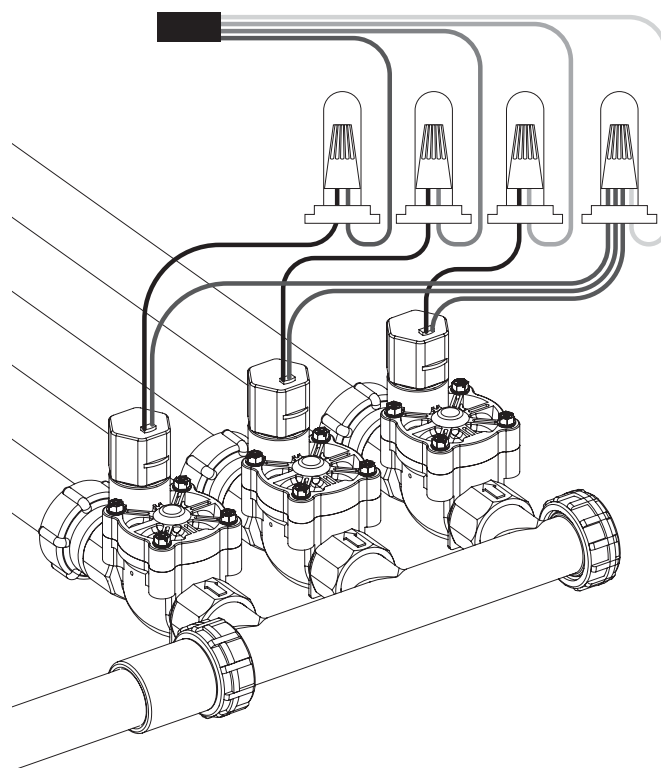
1. Dénudez 13 mm d'isolant en plastique sur l'extrémité de chaque fil du côté de la minuterie et de l'arroseur.

2. Connectez les câbles de chaque vanne à un seul câble d'arrosage « commun » (COM) (généralement blanc).

**Conseils:** peu importe le câble que vous connectez tant qu'il y en a au moins un par vanne.

3. Connectez ensuite des câbles de différentes couleurs entre la vanne et l'arroseur connecté au terminal de la minuterie.

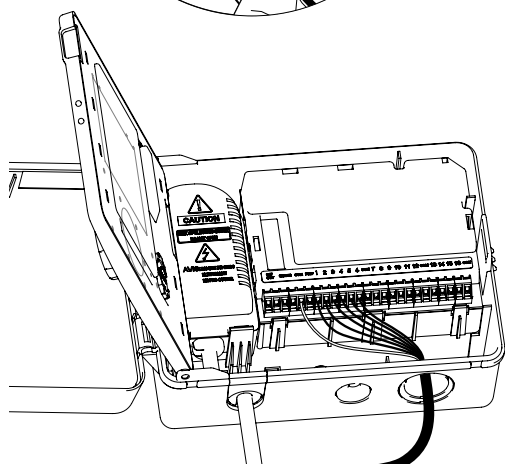
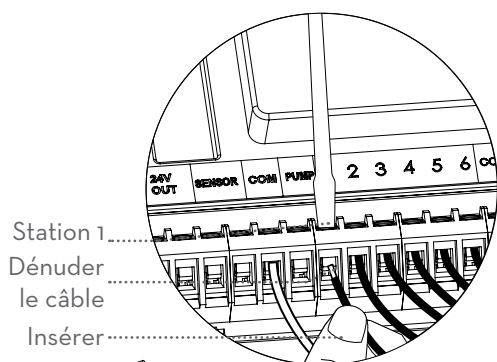
**Remarque:** si la distance entre la minuterie et les vannes est inférieure à 210 m, utilisez un câble calibre 20 (AWG) pour connecter la minuterie aux vannes. Si la distance est supérieure à 210 m, utilisez un câble de calibre 16 (AWG).



**Important:** tous les fils doivent être joints ensemble à l'aide d'écrous métalliques, de soudure et/ou de ruban adhésif. Dans les environnements humides comme une boîte à vannes, il est recommandé d'utiliser les bouchons Orbit Grease pour éviter la rouille des connectiques et pour les protéger de l'infiltration de l'eau.

**Important:** le câble peut être enterré dans le sol, nous vous conseillons d'utiliser des tuyaux en PVC. Veillez à ne pas enfoncer les câbles dans des endroits où ils pourraient être endommagés, veuillez ne pas creuser dans cette zone ultérieurement.

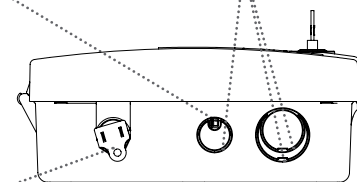
## Connexion de la minuterie B-Hyve



Petit trou-pour faire passer des câbles de 5 ou 7 directement dans la boîte

Sortie pour les installations câblées

Sorties de 13 mm, 20 mm et 25 mm pour d'autres câbles



**Note:** We recommend you consult an electrician for hardwired installations.

1. Dénudez 13 mm d'isolant en plastique au bout de chaque câble.
2. Desserrer les vis du terminal.
3. Introduisez le câble commun dans le terminal commun et, à l'aide du tournevis inclus, serrez la vis sur le terminal pour sécuriser le câble.
4. Insérer et serrer les câbles restants dans les emplacements des terminaux correspondants.

**⚠ ATTENTION:** Pour éviter les problèmes électriques, une seule vanne doit être connectée à chaque terminal (station).

**Important:** le chargement maximal de chaque station/pompe est de 250 mA, le chargement maximal pour la minuterie est de 500 mA.

## Raccordement électrique

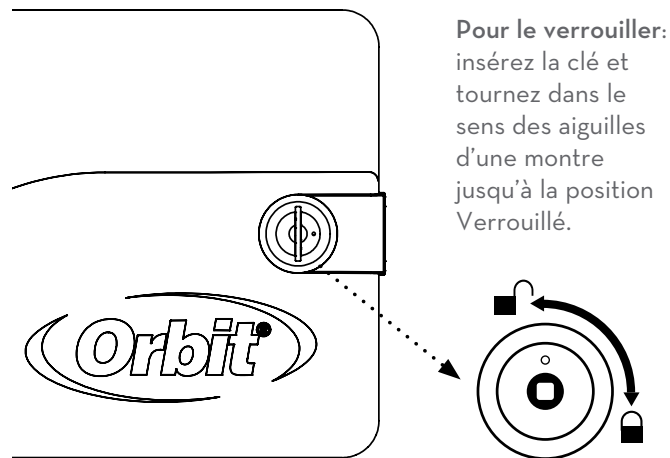
Une fois que votre minuterie B-hyve™ est branchée sur la source d'alimentation, il s'appairera automatiquement avec votre smartphone. Dans le coin supérieur gauche de l'écran de la minuterie, l'icône Wi-Fi commencera à clignoter. Cela indique que votre minuterie est prête à être appairée avec un smartphone. Reportez-vous à la page 7 pour obtenir plus d'informations sur cette opération.

Si le montage est réalisé en extérieur, fermez le couvercle pour protéger la minuterie.

**Emplacements intérieurs**—insérez le cordon d'alimentation dans une prise électrique de 110 V.

**Emplacements extérieurs**—insérez le cordon d'alimentation dans une prise électrique GFI (Ground Fault Interrupter)..

**Important:** nous vous recommandons de demander l'aide d'un électricien pour l'installation des câbles.



## Activation de la pile

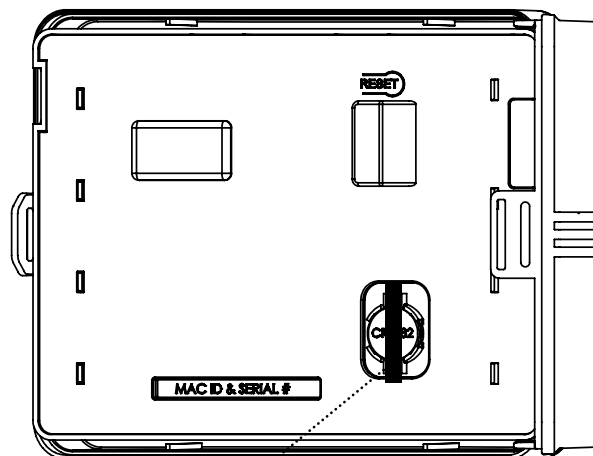
- La minuterie comprend une pile CR2032 au lithium.
- La pile permettra de conserver l'heure et la date en cas de coupure de courant alternatif.
- Un remplacement annuel est recommandé pour éviter les pertes d'information.

*Remarque: la pile ne sera pas utilisée pour activer les vannes de votre système d'arrosage. La minuterie possède un transformateur intégré qui doit être connecté à une source d'alimentation alternative.*

**⚠ ATTENTION:** Risque d'incendie, d'explosion et de choc électrique. Remplacez la pile par une pile CR2032 Hitachi Maxell Ltd uniquement. L'utilisation d'une pile différente risque de provoquer des incendies, des explosions ou des électrocutions.

**⚠ ATTENTION:** Risque de brûlure chimique.  
Garder les piles hors de portée des enfants.

**⚠ ATTENTION:** Ce produit contient une pile au bouton au lithium. Si une pile au lithium neuve ou usagée est avalée ou pénètre un corps, elle peut causer de graves brûlures internes et peut entraîner la mort. Fermez complètement le compartiment de la pile. Si le compartiment de la pile n'est pas fermé correctement, arrêtez d'utiliser le produit, retirez les piles et maintenez-les hors de portée des enfants. Si vous pensez que les piles ont pu être avalées ou ingérées d'une quelconque façon, consulter immédiatement un médecin.



Retirez la bande de plastique pour activer la pile

## Remplacement de la pile

- Soulevez le cache de la pile. N'UTILISEZ PAS un tournevis ou tout autre objet métallique.
- Insérez une nouvelle pile CR2032 et appuyez dessus jusqu'à ce que vous entendiez un clic.
- Vérifiez que le côté + est bien vers le haut.

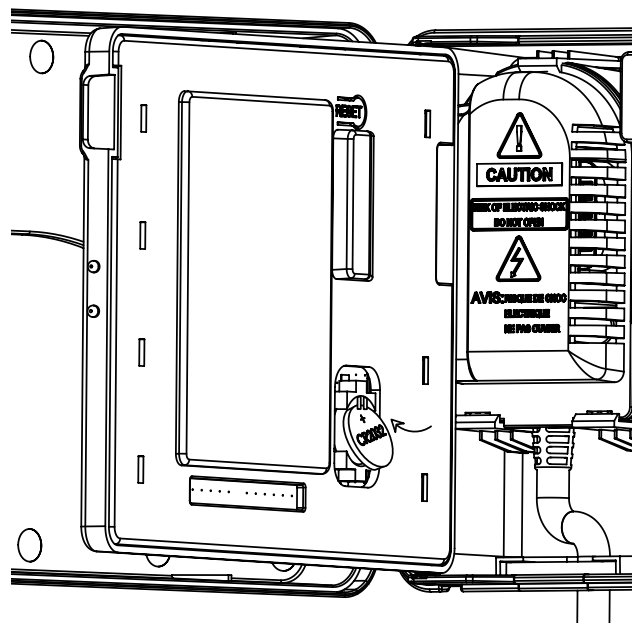
*Remarque: une pile usée ou manquante peut provoquer l'effacement de l'heure et de la date après une panne de courant. Si cela se produit, vous devrez installer une pile complètement chargée.*

**Important:** Si, pour quelque raison que ce soit, votre programme est perdu, le programme de sécurité sécurisé installé en usine allumera chaque station tous les jours pendant 10 minutes.

**⚠ ATTENTION:** La minuterie doit être déconnectée du secteur lors du retrait de la pile.

**⚠ ATTENTION:** DANGER D'EXPLOSION SI LA PILE N'EST PAS BIEN REMPLACÉE. REMPLACER LA PILE SEULEMENT AVEC LE TYPE DE PILE RECOMMANDÉ PAR LE FABRICANT. RESPECTEZ LES CONSIGNES DU FABRICANT LORSQUE VOUS JETEZ LES PILES.

*Remarque: La batterie doit être jetée dans les bornes prévues à cet effet.*



## La Programmation Connexion Wi-Fi

La programmation de la minuterie peut être effectuée, que vous soyez connecté au Wi-Fi ou non. Cela permet au jardinier qui a oublié son téléphone de réaliser un cycle manuel, de modifier la programmation au besoin et de se salir les mains sans toucher son téléphone. Sinon, la programmation peut être réalisée à l'aide des instructions proposées dans l'application.

1. Si vous ne l'avez pas encore fait, installez l'application B-hyve et créez un compte sur votre smartphone.
2. Entrez vos paramètres Wi-Fi.

La minuterie B-hyve™ créera son propre réseau qui apparaîtra dans la liste de connexions Wi-Fi disponibles sur votre périphérique intelligent. Connectez-vous au réseau Orbit Smart Home, puis retournez dans l'application Orbit® B-hyve™.

*Remarque: Remarque : il sera peut-être nécessaire de supprimer la minuterie d'un périphérique intelligent. Allez dans les paramètres pour désactiver la minuterie, on vous demandera alors de confirmer la suppression de la minuterie. Cherchez Orbit\_SmartHome\_XXXX dans votre liste Wi-Fi.*

Une fois dans l'application, une liste de réseaux disponibles s'affichera. Choisissez votre réseau, puis entrez le mot de passe pour connecter votre minuterie. Lorsque l'appareil est connecté, l'icône Wi-Fi sur la minuterie arrête de clignoter.

**Conseils:** Vous pouvez appairer à nouveau votre périphérique intelligent avec votre minuterie B-hyve™ en positionnant la molette sur « Off » et en appuyant sur le bouton de réinitialisation à l'arrière du couvercle. L'écran de la minuterie affichera "Pair."

*Remarque: Appuyez sur l'onglet Réinitialiser à l'arrière du couvercle pour effacer les réglages d'usine.*



## Bouton Program (PROG ABC)

La minuterie de votre système d'arrosage permet d'utiliser 3 programmes indépendants (A, B, C). Le programme est l'endroit où vous stockez tous vos paramètres d'arrosage. Il se compose d'un groupe de stations pour lesquelles des heures de début et de fin ont été définies. Plusieurs programmes vous permettent d'utiliser différentes vannes à des jours différents, à différentes heures d'exécution. Bien que de nombreuses applications nécessitent uniquement un programme (A), l'utilisation de plusieurs programmes peut être utile pour les zones d'égouttement, de gazon récemment planté ou les stations d'arrosage rotatives. L'utilisation de programmes pour grouper des stations ayant des besoins en eau similaires permettra d'optimiser l'efficacité de l'irrigation.

**Par exemple:** vous pouvez définir le programme A pour arroser la pelouse, le programme B pour vos parterres de fleurs et le programme C pour votre jardin. Vous pouvez aussi utiliser l'arrosage intelligent. Dans ce cas, la minuterie utilisera la météo locale et les données de votre terrain pour définir automatiquement un calendrier d'arrosage.

Le bouton PROG ABC permet de basculer entre les programmes lors de la configuration ou de la modification des heures de début, des durées d'exécution et de la gestion.

1. Appuyez sur PROG ABC pour activer ou désactiver les programmes mis en place. La lettre A, B, C ou Smart apparaîtront pour afficher les programmes actifs et l'arrosage commencera.

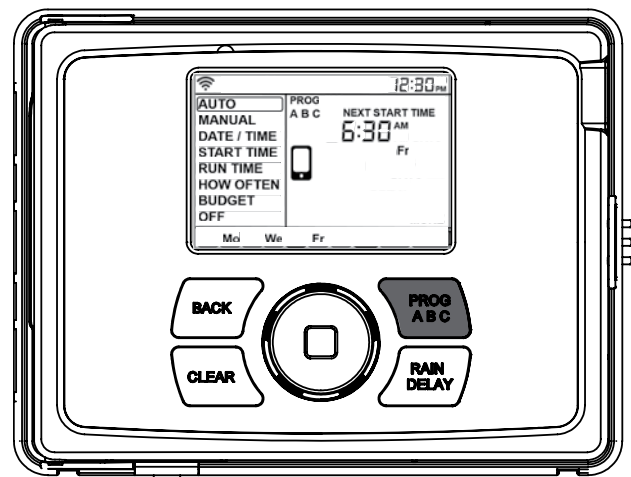
## Date/Heure

Si vous êtes connecté au Wi-Fi, l'heure et la date seront automatiquement envoyées à la minuterie des systèmes d'arrosage. Pour définir la date et l'heure, suivez les instructions suivantes:

3. Tournez la molette pour sélectionner la DATE/TIME.
4. Appuyez sur la molette. La lettre Y (année) commence à clignoter.
5. Tournez la molette jusqu'à ce que l'année en cours s'affiche.
6. Appuyez sur la molette pour confirmer l'année. La lettre M (mois) commence à clignoter.
7. Répétez les étapes 3 et 4 pour entrer le mois et le jour.
8. Une fois le jour confirmé, l'heure commence à clignoter.
9. Tournez la molette jusqu'à ce que l'heure s'affiche.

**Remarque:** continuez à tourner la molette pour passer d'une heure à l'autre. Choisissez "am" pour le matin et "pm" pour l'après-midi.

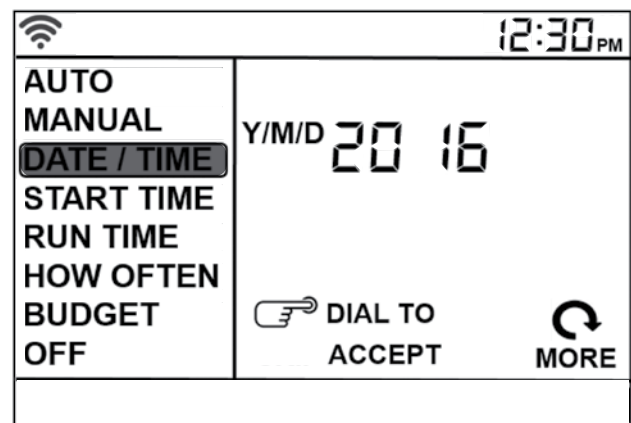
10. Appuyez sur la molette pour confirmer l'heure.
11. Répétez les étapes 7 et 8 pour les minutes.
12. La date et l'heure sont désormais définies.



2. Si vous choisissez uniquement l'arrosage en mode intelligent, l'icône Téléphone est le seul programme qui devrait s'afficher à l'écran.

**Remarque:** si vous ne voyez pas la lettre du programme (A, B, C ou le téléphone) à l'écran, ce programme ne sera pas utilisé pour arroser. Appuyez sur PROG ABC jusqu'à ce que vous voyiez le(s) programme(s) que vous souhaitez choisir.

**Remarque:** Soyez toujours conscient du programme sélectionné (A, B ou C) lorsque vous effectuez des modifications.





## Heure de début

C'est l'heure de démarrage de votre programme, l'arrosage commence sur la première zone à la 1re heure de démarrage. Vous pouvez configurer jusqu'à 4 heures de début. Lorsqu'une heure de début est définie avant que le programme précédent ne soit terminé, elle sera retardée et commencera après le programme précédent.

**Conseils:** une seule heure de début est nécessaire pour exécuter l'arrosage de toutes vos zones.

1. Tournez la molette pour sélectionner START TIME (heure de début).
2. Appuyez sur la molette. Les tirets des heures commenceront à clignoter.
3. Tournez la molette jusqu'à ce que l'heure de début désirée soit atteinte.  
*Remarque: continuez à tourner la molette pour passer d'une heure à l'autre.*
4. Appuyez sur la molette pour confirmer l'heure de début. Les tirets des minutes commenceront à clignoter.
5. Tournez la molette jusqu'à ce que les minutes de début désirées s'affichent.
6. Appuyez sur la molette pour confirmer les minutes de début.

## Durée d'arrosage

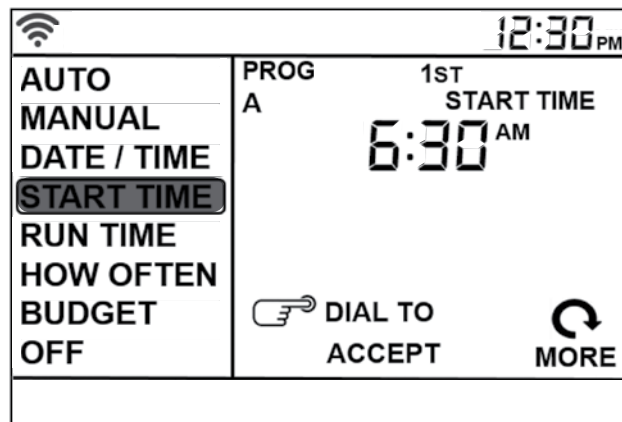
C'est là que vous devrez définir combien de temps dureront les arrosages de chaque station. La station est la zone qui sera arrosée par chaque vanne.

7. Tournez la molette pour sélectionner RUN TIME (durée d'arrosage).
8. Appuyez sur la molette. Le numéro de la STATION commence à clignoter.
9. Tournez la molette jusqu'à ce que le numéro de zone que vous souhaitez programmer soit atteint.
10. Appuyez sur la molette pour confirmer la zone. MINS (minutes) commence à clignoter.
11. Tournez la molette jusqu'à ce que durée désirée soit atteinte.
12. Appuyez sur la molette pour confirmer la durée d'exécution.

*Remarque: votre minuterie avance automatiquement à la station suivante et les MINS clignotent.*

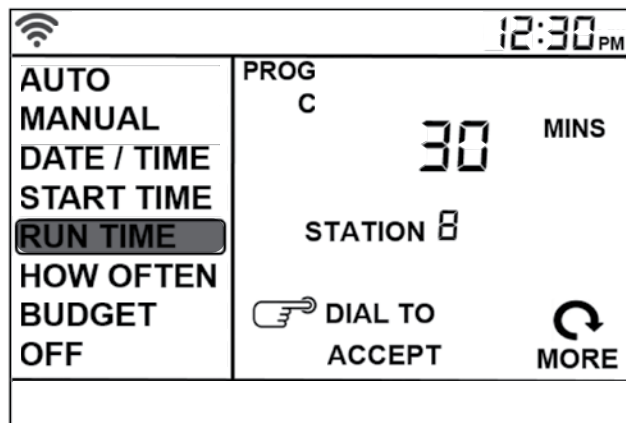
13. Répétez les étapes 5 et 6 pour chaque zone que vous souhaitez configurer.
- Si vous souhaitez configurer des zones dans différents programmes (A, B ou C), appuyez sur le bouton PROG ABC jusqu'à ce que le programme désiré s'affiche et répétez les étapes.

*Remarque: appuyez sur la touche BACK (retour) pour revenir au menu principal de l'écran.*



*Remarque: après avoir appuyé sur la molette, le curseur avancera automatiquement sur la 2e heure de début. Si vous souhaitez ajouter d'autres heures de début, répétez ce processus. Des heures de début supplémentaires sont utiles pour éviter les écoulements et pour permettre au sol d'absorber l'eau.*

- Appuyez sur PROG ABC pour configurer les heures de début des programmes supplémentaires et répétez les étapes précédentes.



## À quelle fréquence

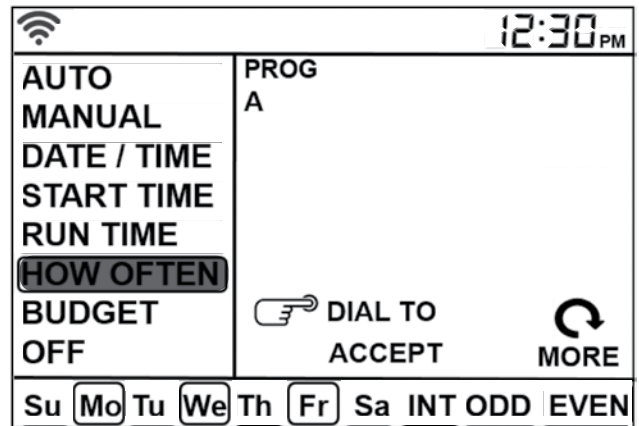
Il existe trois options pour déterminer la fréquence (quels jours) d'arrosage.

- Jours de la semaine (lun, mardi, mer etc.)
- Intervalles (tous les "X" jours)
- Jours pairs OU impairs

## Jours de la semaine

1. Tournez la molette pour sélectionner HOW OFTEN (fréquence).
2. Appuyez sur la molette. « Su » (dimanche) commence à clignoter.
3. Tournez la molette jusqu'à ce que le jour désiré de la semaine clignote.
4. Appuyez sur la molette pour confirmer votre sélection et le curseur apparaîtra sur le jour sélectionné.
5. Répétez ce processus jusqu'à ce que tous les jours d'arrosage désirés soient sélectionnés.
6. Appuyez sur BACK (retour) pour revenir au menu principal.
7. Tournez la molette sur Auto et appuyez dessus pour sélectionner cette option. Vous avez programmé votre minuterie!

- Pour supprimer un jour précédemment saisi, tournez la molette vers le jour et appuyez dessus pour désélectionner le jour.
- Si vous souhaitez effacer tous les jours d'arrosage, appuyez sur le bouton CLEAR (effacer).

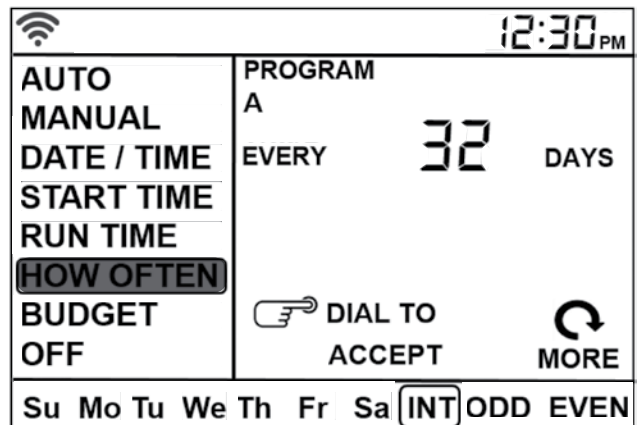


## Intervalles

1. Tournez la molette pour sélectionner HOW OFTEN (fréquence).
2. Appuyez sur la molette. "Su" (dimanche) commence à clignoter.
3. Tournez la molette vers INT.
4. Appuyez sur le clavier pour confirmer. Un cadre apparaîtra autour d'INT et EVERY 1 DAYS (chaque jour) apparaîtra à l'écran. 1 clignotera, c'est l'intervalle par défaut.
5. Tournez la molette pour augmenter l'intervalle, appuyez sur la molette lorsque le nombre de jours souhaité entre chaque arrosage est atteint.

*Exemple: un intervalle de 1 définira un arrosage quotidien, un intervalle de 3 arrosages tous les trois jours, etc.*

6. Appuyez sur BACK (retour) pour revenir au menu principal.
7. Tournez la molette pour sélectionner Auto et appuyez dessus pour sélectionner cette option. Vous avez programmé votre minuterie!

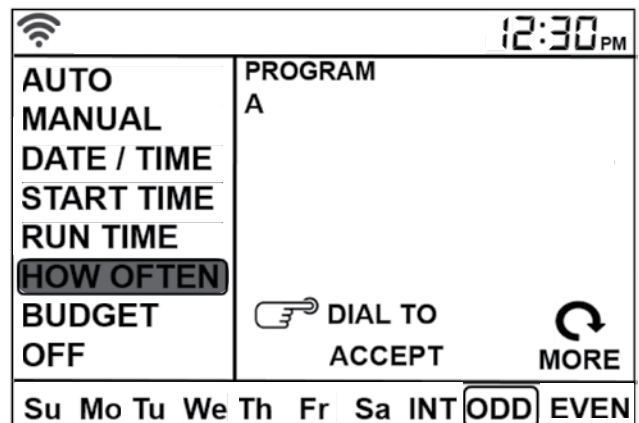


## Jours pairs OU impairs

1. Tournez la molette pour sélectionner HOW OFTEN (fréquence).
2. Appuyez sur la molette. "Su" (dimanche) commence à clignoter.
3. Tournez la molette vers ODD ou EVEN (paire ou impaire). Appuyez sur le clavier pour confirmer. Un cadre apparaîtra sur ODD ou EVEN.

*Exemple: Impair: 1E, 3E, 5E, ETC.  
Exemple: Paire: 2E, 4E, 6E, ETC.*

4. Appuyez sur BACK (retour) pour revenir au menu principal.
5. Tournez la molette pour choisir Auto et appuyez dessus pour sélectionner cette option. Vous avez programmé votre minuterie!



## Auto

La minuterie devrait être en mode AUTO pendant la saison d'irrigation et sur OFF (arrêt) pendant les mois d'hiver ou les mois d'absence d'arrosage.

Tournez la molette jusqu'à la position AUTO et appuyez dessus pour maintenir l'option AUTO.

Si le curseur du menu de l'appareil est sur une position autre que OFF, il reviendra sur AUTO après environ 20 secondes.

Pour désactiver votre minuterie, tournez la molette sur OFF et appuyez dessus ou laissez-la simplement en position OFF.

**Conseils:** vous pouvez la désactiver ou la mettre en mode automatique dans l'APP.

## Autres fonctionnalités

### Délai de Pluie

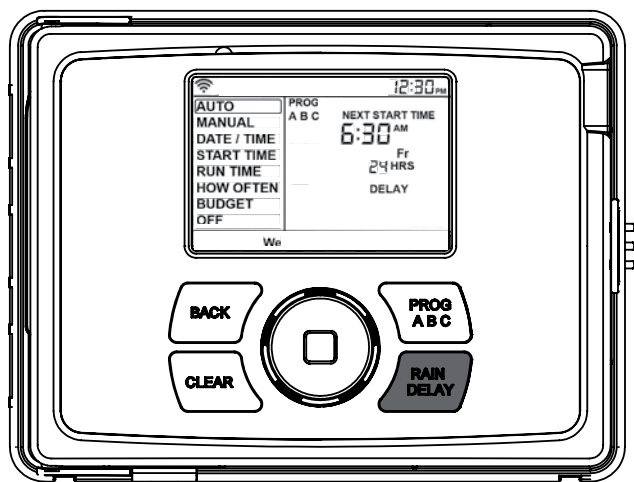
Le bouton Rain Delay (délai de pluie) peut être utilisé pour empêcher votre minuterie d'arroser pendant 1 à 32 jours. À la fin du délai de pluie sélectionné, l'arrosage automatique reprendra.

1. Assurez-vous que la minuterie est sur AUTO.
2. Appuyez sur le bouton Rain Delay pour retarder automatiquement l'arrosage de 24 heures.

*Remarque: si vous souhaitez allonger le délai de pluie, appuyez plusieurs fois sur le bouton Rain Delay ou tournez la molette jusqu'à ce que le nombre de jours souhaité s'affiche.*

- En mode Délai de pluie, la minuterie affiche le nombre de jours ou d'heures de retard de pluie restants.
- Pour supprimer un délai de pluie, appuyez sur le bouton CLEAR (supprimer) et le programme d'arrosage reprendra normalement.
- Pour activer ou désactiver les capteurs de pluie, appuyez et maintenez enfoncé le bouton RAIN DELAY pendant 5 secondes.

*Remarque: cette fonction est utile pour ignorer le capteur, si l'arrosage est nécessaire avant que le capteur ne soit sec.*



## Gestion de l'eau

La fonctionnalité de gestion de l'eau permet de modifier facilement tous vos délais d'exécution sans avoir à les modifier un par un. Elle est idéale pour adapter toutes les zones aux changements saisonniers.

La plage de réglage est de 10 % à 200 % et évolue à chaque fois de 10 %. La valeur par défaut est 100 %, ce qui signifie que votre minuterie exécutera chaque zone pour exactement le nombre de minutes que vous avez défini dans le délai d'exécution. La budgétisation restera sur la fourchette ajustée jusqu'à ce que vous la modifiez.

1. Tournez la molette pour sélectionner Budget (gestion).
2. Appuyez sur la molette. Les chiffres commencent à clignoter.  
*Remarque: 100 est le nombre par défaut.*
3. Pour définir cette valeur, tournez la molette pour atteindre le pourcentage de gestion souhaité. Le réglage de la gestion ajustera toutes les heures d'exécution d'un programme en fonction du pourcentage choisi.

**Exemple:** si des zones sont configurées pour être arrosées pendant 10 minutes et que vous ajustez votre gestion de 100 % à 150 %, ces mêmes zones seront arrosées pendant 15 minutes sans devoir changer chaque période d'exécution.

4. Appuyez sur la molette pour confirmer votre choix. Si vous configurez d'autres programmes (A, B ou C), appuyez sur le bouton PROG ABC jusqu'à ce que le programme désiré s'affiche et répétez ces étapes.

## Le mode manuel

Your timer has the ability to allow you to manually water without disturbing the preset program. Manual is used to test zones or to run an extra cycle for a zone, program, or for all zones.

Pour arroser toutes les zone

1. Tournez la molette pour sélectionner MANUAL.
2. Appuyez sur la molette. ALL apparaîtra sur l'écran.
3. Appuyez à nouveau sur la molette. Le O commence à clignoter.
4. Tournez la molette jusqu'à ce que la durée du mode manuel soit atteinte.
5. Appuyez sur la molette pour commencer à arroser.

*Remarque: si le temps de fonctionnement manuel n'a pas été défini, la minuterie ne déclenchera pas d'arrosage manuel et l'écran affichera à nouveau l'heure en cours.*

Comment activer un/plusieurs programme(s) spécifique(s) A, B ou C

1. Tournez la molette pour sélectionner MANUAL.
2. Appuyez sur la molette. ALL apparaîtra sur l'écran.
3. Tournez la molette jusqu'à ce que le(s) programme(s) que vous souhaitez arroser s'affiche (tous : ABC ou A, B ou C individuellement).
4. Appuyez sur la molette pour lancer le programme sélectionné.

Arrosage d'une zone spécifique

1. Tournez la molette pour sélectionner MANUAL.
2. Appuyez sur la molette. ALL apparaîtra sur l'écran.
3. Tournez la molette après les programmes A, B, C jusqu'à la STATION 1. Appuyez sur la molette. Vous verrez que O et MINS apparaissent à l'écran.
4. Tournez la molette jusqu'à ce que la station que vous souhaitez exécuter s'affiche à l'écran.
5. Appuyez sur la molette. Le O clignotera une fois.
6. Tournez la molette jusqu'à ce que le nombre de minutes durant lesquelles vous souhaitez exécuter la station s'affiche.
7. Appuyez sur la molette pour lancer le programme spécifié.

*Exemple: pour arroser manuellement la zone 3 pendant cinq minutes, tournez la molette sur MANUAL puis appuyez sur la molette. Tournez la molette jusqu'à ce que vous voyiez la station 6 ou 12, appuyez dessus et tournez-la jusqu'à ce que vous voyiez la station 3, puis appuyez à nouveau sur la molette. Tournez la molette jusqu'à ce que cinq minutes s'affichent à l'écran puis appuyez sur la molette.*

*Remarque: pendant que votre programme de station manuelle fonctionne, vous pouvez programmer plus d'une zone spécifique pour ce processus. Répétez les étapes pour sélectionner la zone et la durée afin d'arroser des zones supplémentaires.*

Pour arrêter l'arrosage manuel, appuyez sur CLEAR (supprimer)

## Connexion d'un capteur de pluie

Connectez les fils du capteur de pluie aux ports étiquetés "Sensor".

*Remarque: reportez-vous au manuel de votre capteur de pluie pour obtenir des instructions spécifiques sur les connectiques.*

Ignorer le capteur de pluie

Cette minuterie est équipée d'une option d'activation/désactivation (on/off) des capteurs. Cette fonction est utilisée pendant l'entretien et les réparations, pour que la minuterie puisse fonctionner même si le capteur de pluie est activé. Pour ignorer les capteurs de pluie, appuyez et maintenez enfoncé le bouton RAIN DELAY pendant 5 secondes.

L'écran affichera SENS et "OFF" ou SENS et "ON".

**Important:** si le capteur de pluie est "on" (activé) et qu'aucun capteur n'est connecté, la minuterie ne fonctionnera pas. Pour réactiver la minuterie d'arrosage, maintenez la touche Rain Delay (délai de pluie) enfoncée pendant 5 secondes ou rebranchez le câble aux bornes du capteur.

## Pompe de démarrage et vanne principale

Cette minuterie d'arrosage permet à une vanne principale ou à un relais de démarrage de pompe de fonctionner chaque fois qu'une station est allumée.

*Remarque: si vous activez une pompe à partir de cette minuterie, vous devez acheter un relais de démarrage de pompe. À partir du relais de démarrage de la pompe (ou de la vanne principale), connectez un câble au terminal de "Pompage" et l'autre câble au terminal "commun".*

## Définition des termes

### START TIME (heure de début)

L'heure à laquelle commence l'arrosage de la première station programmée.

### VALVE (vanne)

Permet d'envoyer de l'eau vers une station ou une zone spécifique. L'ouverture et la fermeture de la vanne sont effectuées par l'impulsion électrique de la minuterie.

### MASTER VALVE (vanne principale)

Elle est généralement située à la source d'eau principale. Ouvre ou ferme l'arrivée d'eau pour l'ensemble du système d'irrigation lorsque celui-ci n'est pas utilisé.

### MULTIPLE START TIMES (multiples heures de début)

Une fonction de contrôleur qui permet d'utiliser un programme plusieurs fois dans la même journée d'arrosage.

### OVERLAPPING PROGRAMS (chevauchement de programme)

Lorsqu'une heure de début d'un programme est définie à une heure où le programme précédent n'est pas terminé.

### PROGRAM (A, B, OR C)

Programmes individuels définis par l'utilisateur. Chaque programme fonctionne de manière indépendante. Si un programme chevauche l'autre, les programmes seront "superposés". Une fois le premier programme terminé, le prochain programme débutera.

### RAIN DELAY (délai de pluie)

Une fonctionnalité qui supprime le fonctionnement d'un programme d'arrosage planifié pour une durée spécifique.

### SOLENOID

La partie électrique qui ouvre et ferme une vanne d'irrigation.

### SPRINKLER TIMER (minuterie d'arrosage)

Un dispositif qui envoie les instructions aux vannes de la station.

### STATION

Un regroupement d'arroseurs actionnés par une seule vanne contrôlée par la minuterie.

### WATERING BUDGETING (gestion de l'eau)

Permet d'ajuster votre programme global d'arrosage en sélectionnant un pourcentage de durée totale d'arrosage.

## Résolution des problèmes

Problème	Cause possible
Une ou plusieurs vannes ne s'ouvrent pas	1. Connexion solénoïde défectueuse
	2. Câble endommagé ou coupé
	3. Manche de contrôle de débit vissé, fermeture de la vanne
	4. La programmation est incorrecte
Les stations s'enclenchent alors qu'elles ne sont pas censées le faire	1. La pression de l'eau est trop élevée
	2. Plusieurs heures de début sont programmées
	3. Sélection de AM/PM incorrect
Une station est bloquée et ne s'arrête pas	1. Vanne défectueuse
	2. Particules de saleté ou débris collées dans la vanne
	3. Diaphragme de vanne défectueux
Toutes les vannes ne s'ouvrent pas	1. Le transformateur défectueux ou non connecté
	2. La programmation est incorrecte
La minuterie ne s'allume pas	1. Le transformateur n'est pas branché à une prise de courant
Les vannes continuent de s'ouvrir et se fermer lorsqu'elles ne sont pas programmées	1. Plusieurs heures de début sont programmées et se superposent
	2. Pression excessive
L'écran indique "Fault" et le numéro de zone clignote	1. Court circuit dans le câble
	2. Court circuit dans le solénoïde



# Spécifications

Entrée nominale:

Australie—240V AC 50/60Hz 0.15A

Europe—230V AC 50/60Hz 0.15A

USA—120V AC 60Hz 0.15A

Charge maximale:

AUS et EU - 24V AC 1 Amp 50/60 Cycle

USA—24V AC 750 mA 60Hz

Température de fonctionnement:

En fonctionnement: 32-167° F (0-75° C)

Stockage et transport: 32-176° F (0-80° C)

Niveau d'humidité:

En fonctionnement: 0 à 80%

Stockage et transport: 0 à 90%

Altitude: 6,500' (2,000 mètres)

Évaluation IPX5

Classe d'installation II

Catégorie de surtension II

**▲ ATTENTION: La pile doit être retirée de la minuterie avant de la jeter.**

## Aide

Si vous ne trouvez pas ce que vous cherchez sur l'application et le site Web, contactez notre centre d'assistance technique avant de rapporter votre appareil au magasin.

1-800-488-6156 or 1-801-299-5555

[www.orbitonline.com](http://www.orbitonline.com) | [bhyve.orbitonline.com](http://bhyve.orbitonline.com)

## Listes

La minuterie a été testée selon la norme UL-50 et elle est certifiée ETL®.

Déconnexion: Type 1Y

Situation de pollution normale.

Le cordon d'alimentation de cet appareil ne peut être remplacé que par le fabricant ou son agent de service agréé.

**Remarque:** cet équipement a été testé et certifié dans les limites d'un appareil numérique de classe B, conformément au chapitre 15 des normes de la FCC. Ces limites sont conçues pour fournir une protection raisonnable contre les interférences nuisibles dans un immeuble résidentiel. Cet équipement génère, utilise et peut émettre des radio fréquence et, s'il n'est pas installé et utilisé dans le respect des instructions, il peut causer des interférences nuisibles aux communications radio. Cependant, rien ne garantit que les interférences ne se produiront pas dans votre installation. Si cet équipement cause des interférences nuisibles à votre radio ou télévision, vous pouvez le voir en activant et en désactivant votre équipement et vous êtes invité à essayer de corriger ses problèmes à l'aide des mesures suivantes:

- Réorientez ou déplacez l'antenne de réception.
- Accentuez la séparation entre l'équipement et.
- Branchez l'équipement sur la prise de courant d'un circuit différent de celui auquel le récepteur est connecté.
- Consultez votre revendeur ou un technicien radio/télévision expérimenté.

**Attention:** cet appareil n'est pas destiné aux jeunes enfants et aux personnes infirmes, sans surveillance. Les jeunes enfants devront être contrôlés afin d'être sûr qu'ils ne jouent pas avec l'appareil.

INFORMATIONS IMPORTANTES SUR VOS DROITS ET OBLIGATIONS, CLAUSES DE LIMITATIONS ET D'EXCLUSIONS POUVANT S'APPLIQUER À VOTRE PERSONNE.

## 1. DROITS ET LIMITES DE GARANTIE

La présente garantie limitée vous donne des droits juridiques spécifiques. Vous pouvez également avoir d'autres droits légaux qui varient selon votre état, province ou juridiction. Les clauses de non-responsabilité, les exclusions et les limitations de responsabilité ne s'appliquent, en vertu de la présente garantie, que dans la mesure où elles ne vont pas à l'encontre de la législation applicable. Pour une description complète de vos droits légaux, nous vous invitons à vous référer aux lois applicables dans votre juridiction et contacter le service d'aide au consommateur pertinent.

## 2. QUE COUVRE CETTE GARANTIE LIMITÉE? ET POUR QUELLE PÉRIODE?

Orbit Irrigation Products, Inc. ("Orbit") garantit au propriétaire du produit ci-joint que le produit contenu dans cette boîte ("Produit") est exempt de défauts matériels et de fabrication pendant une période de deux (2) ans à compter de la date de livraison, suite à l'achat (la période de garantie). Si le produit ne se conforme pas à cette garantie limitée pendant la période de garantie, Orbit s'engagera, à son entière discrétion, soit (a) à réparer ou remplacer tout produit ou composant défectueux ; (b) à accepter les retours de produit et procéder au remboursement de l'argent effectivement déboursé l'acheteur du produit. Une réparation ou un remplacement par un produit neuf ou des composants reconditionnés devront être proposés, à la seule discrétion d'Orbit.

Si le produit ou un composant incorporé n'est plus disponible, Orbit pourra remplacer le produit par un produit proposant des fonctions similaires, à la seule discrétion d'Orbit. Ceci sera votre unique et exclusif recours en cas de violation de cette garantie limitée. Tout produit qui a été réparé ou remplacé sous cette garantie limitée sera couvert par les termes de cette garantie limitée pendant plus de trente (30) jours à compter de la date de livraison ou de la période de garantie restante. Cette garantie limitée peut être transférée de l'acheteur original à un propriétaire ultérieur, mais la période de garantie ne pourra être prolongée ou étendue pour ce transfert de propriété.

## 3. CONDITIONS DE GARANTIE; COMMENT FAIRE VALOIR VOS DROITS EN VERTU DE CETTE GARANTIE LIMITÉE

Avant de pouvoir réaliser une réclamation en vertu de cette garantie limitée, le propriétaire du Produit devra notifier Orbit de son intention en se rendant sur la page suivante: [www.orbitonline.com/contact](http://www.orbitonline.com/contact) pendant la période de garantie, il devra donner une description du problème présumé et respecter les règles de renvoi du produit données par Orbit. Orbit n'aura aucune obligation de garantie en ce qui concerne les produits retournés s'il détermine, à sa discrétion raisonnable et après examen du produit retourné, que le celui-ci n'est pas un produit éligible (comme défini ci-dessous). Orbit assumera tous les frais d'expédition de retour au propriétaire et remboursera les frais d'expédition encourus par le propriétaire, sauf si le produit n'est pas admissible, dans ce cas, le propriétaire devra prendre en charge les frais d'expédition.

## 4. QU'EST-CE QUI N'EST PAS COUVERT PAR CETTE GARANTIE LIMITÉE?

Cette garantie ne couvre pas les éléments suivants (collectivement appelés "Produits non éligibles"): Produits marqués comme "échantillon" ou vendus "TELS QUELS" ou les produits qui ont fait l'objet de: (a) modifications, altérations, falsifications, entretiens ou réparations inadéquates (b) manutentions, stockages, installations, essais ou utilisations non conformes aux instructions fournies par Orbit (c) abus ou mauvaises utilisations du produit (d) panes, fluctuations ou interruptions de l'approvisionnement en eau, de l'énergie électrique ou du réseau de télécommunications ou qui ont subis (e) les effets de catastrophes naturelles (éclaircs, inondations, tornades, tremblements de terre ou ouragans). Cette garantie ne couvre pas les consommables comme les piles, à moins que les dommages ne soient causés par des défauts de matériel ou de fabrication du produit ou du logiciel (même s'ils ont été emballés ou vendus avec le produit). Orbit vous recommande d'utiliser uniquement les fournisseurs de services autorisés pour toute maintenance ou réparation du produit. Toute utilisation non autorisée du produit ou du logiciel peut avoir un impact sur les performances du produit et annuler la présente garantie limitée.

Orbit ne garantit ni ne promet en aucun cas un quelconque niveau d'économies d'eau, d'entretien de votre jardin et pelouse ou tout autre avantage, suite à l'utilisation de son produit ou de toute fonctionnalité proposée par son produit. Les économies d'eau réelles, l'état du jardin, des pelouses ainsi que tout autre avantages peuvent varier en fonction de différents facteurs sur lesquels Orbit n'a aucun contrôle.

**5. CLAUSES DE NON-RESPONSABILITÉ DES GARANTIES SAUF INDICATION CONTRAIRE FIGURANT DANS LA PRÉSENTE GARANTIE LIMITÉE ET DANS LE RESPECT DES LIMITES PRÉVUES PAR LA LOI EN VIGUEUR ORBIT DÉCLINE TOUTE GARANTIE OU CONDITION, QU'ELLE SOIT DE NATURE EXPRÉSSE, IMPLICITE OU LÉGALE PAR RAPPORT AU PRODUIT, Y COMPRIS AUX GARANTIES IMPLICITES DE QUALITÉ MARCHANDE OU D'ADAPTATION À UN USAGE SPÉCIFIQUE. DANS LE CADRE DES LIMITES SPÉCIFIÉES PAR LES LOIS APPLICABLES, ORBIT LIMITE AUSSI LA DURÉE DE TOUTES GARANTIES OU CONDITIONS IMPLICITES À LA DURÉE DE CETTE GARANTIE LIMITÉE.**

**6. LIMITATION DES DÉGÂTS EN PLUS DE LA DÉCLARATION DE GARANTIE DU PRÉSENT DOCUMENT, ORBIT NE SERA EN AUCUN CAS RESPONSABLE DE TOUT DOMMAGE CONSÉQUENTIEL, ACCIDENTEL, EXEMPLAIRE OU DES DOMMAGES SPÉCIAUX, COMME LES PERTES DE DONNÉES OU LES PERTES DE PROFITS DÉCOULANT OU QUI POURRAIT Y ÊTRE ASSOCIÉS À LA PRÉSENTE GARANTIE LIMITÉE, AU PRODUIT À LA RESPONSABILITÉ CUMULÉE DÉCOULANT OU QUI POURRAIT Y ÊTRE ASSOCIÉE À CETTE GARANTIE OU AU PRODUIT NE POURRA PAS DÉPASSER LE MONTANT TOTAL DÉBOURSÉ PAR L'ACHETEUR ORIGINAL.**

**7. LIMITATION DE RESPONSABILITÉ VOUS AVEZ LA POSSIBILITÉ D'UTILISER CERTAINS SERVICES ORBIT ("SERVICES") AVEC VOS PRODUITS. VOTRE UTILISATION DE CES SERVICES SONT SOUMIS À D'AUTRES CONDITIONS GÉNÉRALES.**

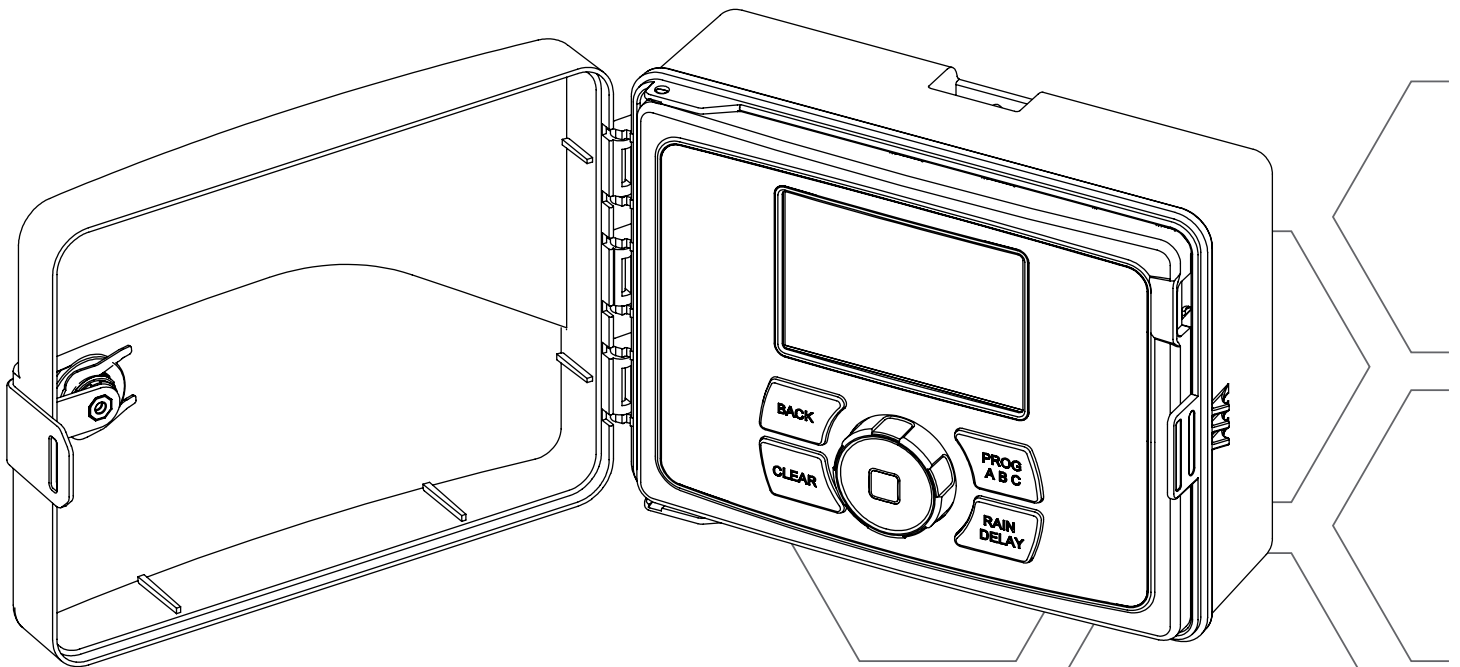
**8. MODIFICATIONS PEUVENT S'APPLIQUER À CETTE GARANTIE LIMITÉE** Certaines juridictions ne permettent pas de limiter la durée de garantie ou les exclusions/limitations inhérentes ou consécutives aux dégâts, donc il est possible que certaines des limitations énoncées précédemment ne s'appliquent à votre utilisation.

Bienvenido a



**b•hyve™**

# TEMPORIZADOR DE ASPERSOR INTELIGENTE CON WI-FI



Guía de  
usuario

# Bienvenido a B-hyve™

La naturaleza es un maravilloso jardinero que siempre está trabajando sutilmente con usted para cuidar su jardín. Las abejas son un excelente ejemplo de este esfuerzo notable e invisible para ayudar a que sus plantas crezcan. La colmena es el lugar central donde se coordina este esfuerzo y se lleva a cabo toda la comunicación. Aunque la naturaleza hace un trabajo excelente, algunas veces necesita algo de ayuda. Es ahí donde entramos. Cuando conecta su temporizador de aspersores inteligente B-hyve con Wi-Fi a su red Wi-Fi, está conectándolo a la naturaleza. El clima local, junto con algo de información de su jardín, trabajarán juntos para proporcionar la cantidad precisa de agua que necesitan sus plantas, eliminando el desperdicio y ahorrándole dinero. ¡Gracias por conectarse y bienvenido a B-hyve!

Recuerde, puede configurar el temporizador con la app. Pero, si no tiene Wi-Fi o simplemente desea hacer un ajuste estando afuera, lo puede hacer en el temporizador. Los cambios realizados se verán reflejados en la app, y los cambios realizados en la app se verán reflejados en el temporizador. Igualmente, la app tiene pantallas y vídeos de ayuda para asistirlo con las conexiones Wi-Fi, la programación, la irrigación inteligente y otras preguntas generales que pueda tener.

## Ayuda

EUROPA Y ÁFRICA DEL SUR  
EMAIL: INFO@ORBITEUROPE.COM  
SUDAMERICA  
TELÉFONO: +56 2 22419718  
EMAIL: FBENAVIDES@SERCORIEGO.CL  
www.orbitonline.com  
bhyve.orbitonline.com

PARA UN DESEMPEÑO  
ÓPTIMO DEL TEMPORIZADOR,  
CONÉCTELO A UNA RED  
WI-FI PARA QUE RECIBA LAS  
ÚLTIMAS ACTUALIZACIONES.

## Tabla de contenido

### Piezas

Temporizador de aspersores .....	2
Controles del temporizado .....	2
Pantalla .....	3
App B-Hyve.....	3

### Instalación

Seleccionar una ubicación .....	4
Montaje del temporizador .....	4
Cableado de las válvulas del aspersor .....	5
Cableado del temporizador B-Hyve .....	5
Connecting Electrical Power .....	6
Activating Batería .....	6
Replacing the Batería .....	7

### Programación

Conexión a Wi-Fi .....	7
Botón PROG. ABC .....	8
Fecha/hora.....	8
Hora de inicio.....	9
Tiempo de funcionamiento .....	9
Frecuencia.....	10
Automático.....	11

### Características adicionales

Retraso de lluvia .....	11
Presupuesto.....	11
Manual.....	11
Sensor de lluvia.....	12
Inicio de la bomba.....	12
Glosario .....	12
Resolución de problemas.....	13
Especificaciones .....	14



# Piezas

## Temporizador de aspersores

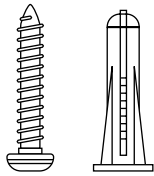
Cubierta resistente a la intemperie

Traba y seguro

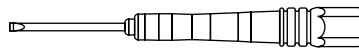
Pantalla digital

Dial

Puerta abatible del panel



Hardware de instalación

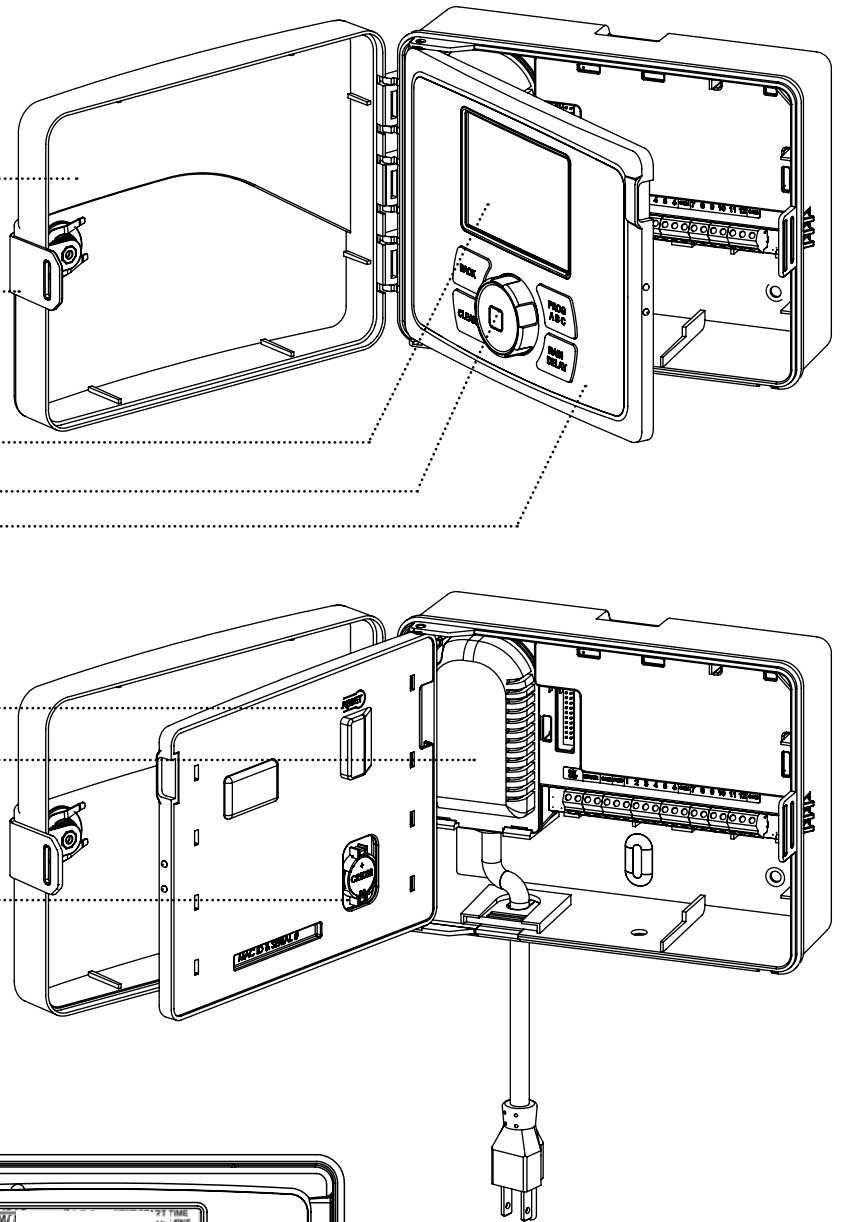


Atornillador

Botón para restablecer

Transformador

Compartimiento de batería



## Controles del temporizador

### ATRÁS:

Regresar un paso o al menú principal

*Nota: Se debe presionar dos veces ATRÁS para regresar a automático*

### BORRAR:

Para borrar un ajuste

*Nota: El botón BORRAR también puede ser usado para cancelar el Retraso de lluvia, cancelar un programa en ejecución o cancelar un ciclo de irrigación manual.*

### DIAL:

Navega hacia abajo, arriba, izquierda o derecha. Presione para hacer la selección

*Nota: Si la selección del dial queda en una posición diferente a APAGADO, regresará a AUTOMÁTICO luego de aproximadamente 20 segundos.*

### PROG. ABC:

Para cambiar a un programa diferente

Consulte la página 8 para más información

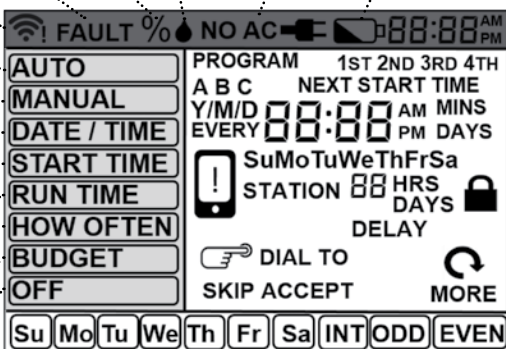
### RETRASO DE LLUVIA:

Para pausar la operación debido a lluvia u otros factores. Consulte la página 11

# Pantalla digital

- Indica un corto en la zona (Consulte Resolución de problemas)
- Solido: muestra la intensidad de la señal del Wi-Fi e indica que está conectado. Consulte XX para más información.
- El programa definido se está ejecutando
- Irrigar estaciones manualmente
- Configurar la hora, año, mes y día del reloj
- Definir la hora para comenzar a irrigar
- Definir la duración de la irrigación de cada estación
- Definir la frecuencia de los días de irrigación
- Ajustar la irrigación general como porcentaje
- Apagar todas las estaciones/funciones

- Indica que el presupuesto de agua ha sido ajustado
- No hay energía CA llegando al temporizador
- Indica que una zona está siendo irrigada
- Indica batería baja.



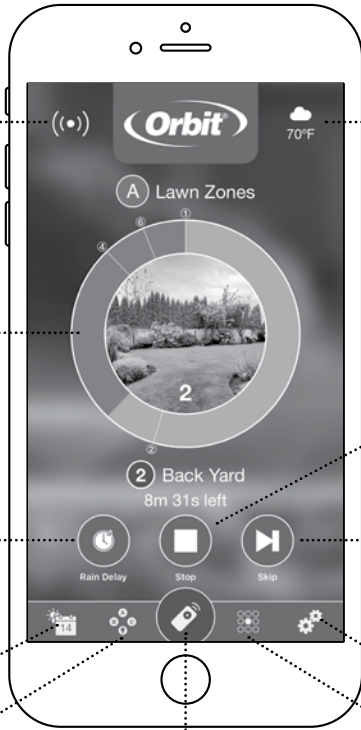
*Nota: La batería solamente sirve para conservar la fecha y la hora cuando no hay energía. El programa se almacena en memoria no volátil y no se perderá si el temporizador se queda sin energía.*

# App B-Hyve

Deberá instalar la app B-hyve™ y crear una cuenta en su dispositivo inteligente luego de instalar el temporizador.

*Nota: La app tiene un asistente que lo orienta durante la instalación inicial de su temporizador de aspersor. Además, hay iconos de ayuda en toda la app, con más información y consejos útiles.*

- Símbolo temporizador conectado
- Estado de funcionamiento/mensajes
- Retraso de lluvia
- Calendario
- Programas
- Clima/ Temperatura
- Detener la irrigación
- Siguiente zona
- Ajustes
- Lista de zonas
- Control remoto o botón Inicio



# Instalación

## Selecciónar una ubicación

Al elegir una ubicación para el temporizador, tenga en cuenta lo siguiente:

- Elija una ubicación cercana a un tomacorriente.
- Ubíquelo donde haya buena señal Wi-Fi.

**Consejo:** Puede determinar esto usando un teléfono inteligente (Busque una ubicación que tenga mínimo dos barras).

- Asegúrese que las temperaturas de operación no estén por debajo de 32° o por encima de 158° F (menos de 0° o más de 70° C).
- Ubíquelo alejado de la luz solar directa.
- Asegúrese que hay un espacio libre de 9" (22 cm) a la izquierda de la caja del temporizador de aspersor, lo que permite abrir la puerta luego de la instalación.
- Debe haber acceso fácil a los cables del aspersor (de las válvulas).



Señal mínima

**Importante:** El temporizador es resistente a la intemperie con clasificación UL-50 y ETL®, pero no debe ser ubicado en zonas donde el agua continua puede ocasionarle daños.

**Consejo:** Si reemplaza un temporizador, es útil tomar fotos de los cables, antes de desconectarlos del anterior temporizador.

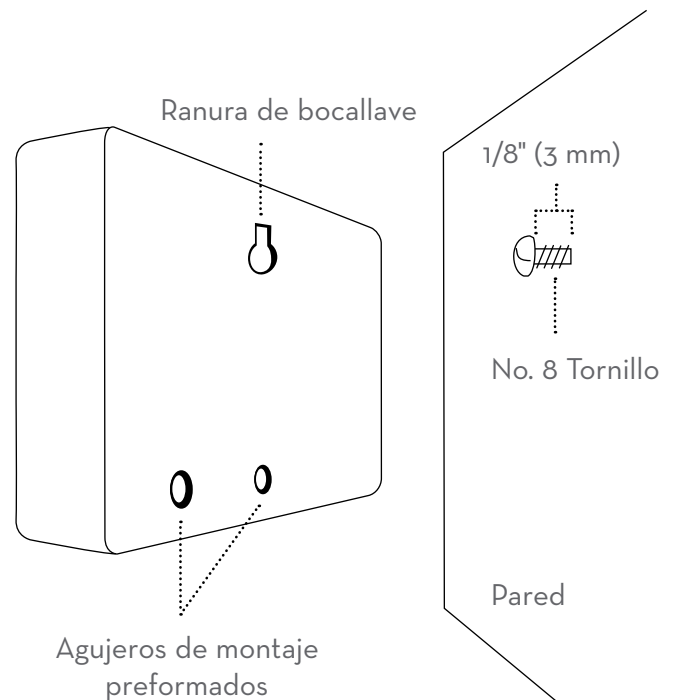
## Montaje del temporizador

Herramientas necesarias

- Destornillador de cabeza plana pequeño (incluido en el paquete de accesorios)
- Pelacables
- Taladro con una broca de 3/16" (4,8 mm)
- Nivel

**Consejo:** Use los anclajes de expansión (incluidos) para instalaciones en yeso, concreto o drywall.

1. Instale un tornillo No. 8 (incluido) en la pared, dejando que la cabeza del tornillo sobresalga 1/8" (3 mm) de la pared.
2. Cuelgue el temporizador en el tornillo instalado usando la ranura de bocallave de la parte superior del respaldo del gabinete. .
3. Nivele el temporizador y para fijar el temporizador, instale el segundo tornillo en uno de los agujeros de montaje preformados que están ubicados en la parte inferior del respaldo del gabinete.



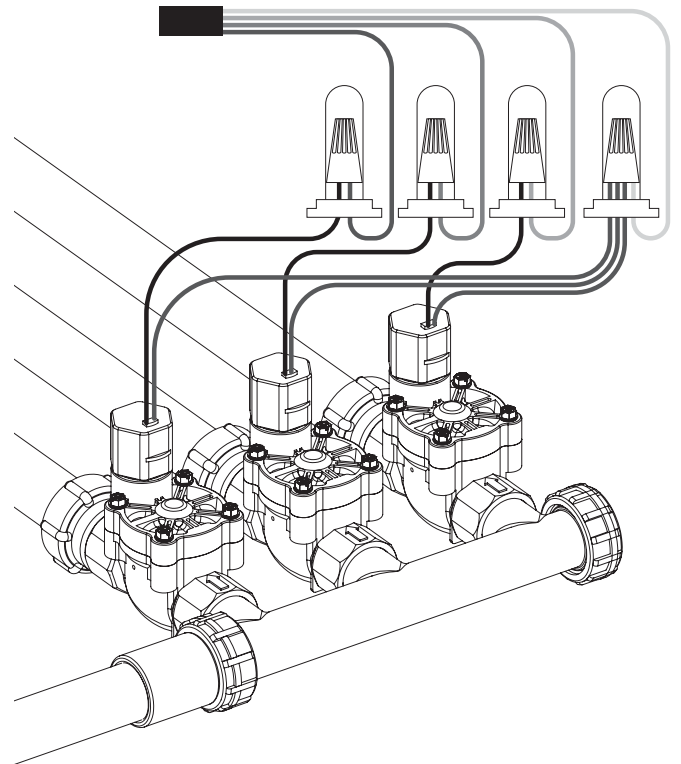
## Cableado de las válvulas del aspersor

1. Pele 1/2" (13 mm) del aislamiento de plástico los extremos de los cables, tanto los de la válvula como los del aspersor.
2. Conecte un cable de cada válvula a un solo cable "Común" (COM) del aspersor (normalmente blancos).

**Consejo:** No importa cuál cable de la válvula conecte, siempre y cuando por lo menos haya uno por válvula.

3. Conecte el cable restante de cada válvula a un cable con color diferente del aspersor que será conectado al terminal del temporizador.

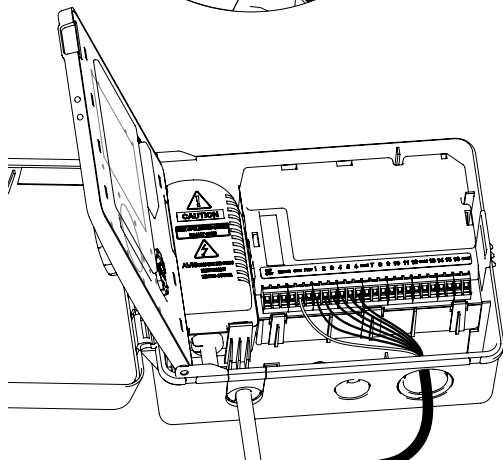
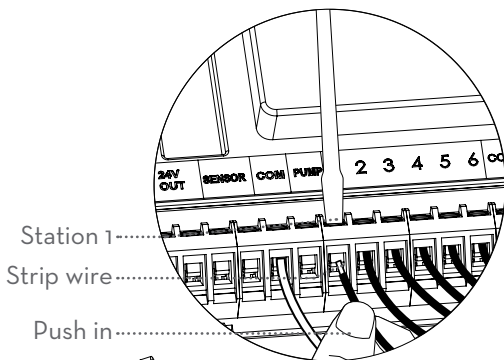
**Nota:** Si la distancia entre el temporizador de aspersor y las válvulas es menos de 700' (210 m), use cable calibre 20 (AWG) para conectar el temporizador de aspersor a las válvulas. Si la distancia es superior a 700' (210 m), use cable calibre 16 (AWG).



**Importante:** Todos los cables deben unirse usando tuercas para cable, soldadura y/o cinta aislante. En ambientes húmedos, como una caja de válvulas, se recomienda usar las tapas de grasa Orbit, para evitar la corrosión de la conexión y protegerlas de infiltración de agua.

**Importante:** Los cables puede ser enterrados en la tierra, sin embargo, para mayor protección de los cables, estos pueden ser pasados por tubería de PVC y enterrados. Tenga cuidado y no entierre los cables en lugares donde pueden ser dañados por excavaciones o zanjas futuras.

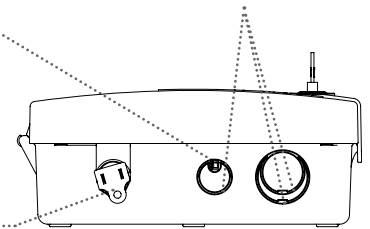
## Cableado del temporizador B-Hyve



Aberturas desprendibles de 1/2", 3/4" y 1" (13 mm, 20 mm y 25 mm) para sistemas más grandes con más juegos de cables

Agujero pequeño: para pasar 5 o 7 hilos de cable hacia la caja

Abertura desprendible para instalaciones cableadas



**Note:** We recommend you consult an electrician for hardwired installations.

1. Pele 1/2" (13 mm) de aislamiento plástico del extremo de cada cable.
2. Afloje los tornillos del terminal.
3. Introduzca el cable común al terminal común y usando el atornillador incluido, apriete el tornillo del terminal de cables para asegurar el cable.
4. Inserte y apriete los tornillos restantes en los lugares correspondientes en el terminal

**⚠ PRECAUCIÓN:** Para evitar riesgos eléctricos, se debe conectar solamente una válvula a cada terminal (estación).

**Importante:** La carga máxima de cada estación/bomba es 250 mA, la carga máxima del temporizador es 500 mA.

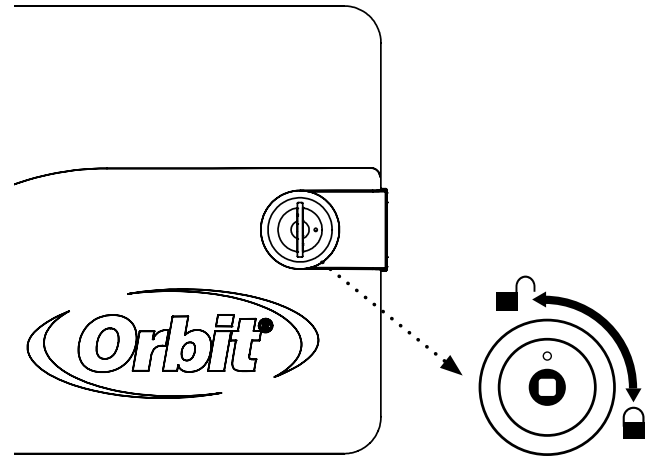
## Conexión a la alimentación eléctrica

Una vez que el temporizador B-hyve™ esté conectado a la alimentación de energía, automáticamente intentará emparejarse con el dispositivo inteligente. En la esquina superior izquierda de la pantalla del temporizador el icono Wi-Fi comenzará una secuencia de parpadeo gradual. Esto indica que el temporizador está preparado para emparejarse con el dispositivo inteligente. Consulte la página 7 para ver la información de cómo emparejar el temporizador.

Si se monta en una ubicación en exteriores, cierre la puerta del compartimento para evitar que el temporizador se dañe con el clima.

**Indoor Locations**—Ubicaciones en interiores: conecte el cable de alimentación a un tomacorriente de 110 V.

**Outdoor Locations**—Ubicaciones en exteriores: conecte el cable de alimentación a un tomacorriente de 110 V con interruptor para falla de conexión a tierra (GFI).



**Importante:** Recomendamos que consulte a un electricista para las instalaciones cableadas.

## Activar la batería

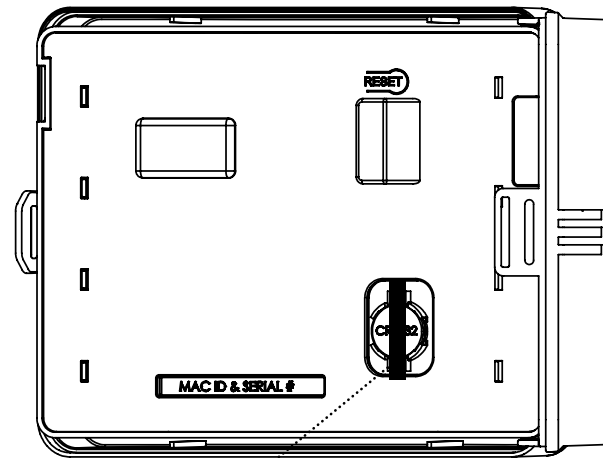
- El temporizador incluye una batería CR2032.
- La batería conservará la fecha y hora en caso de interrupción del suministro de CA.
- Se recomienda reemplazarla todos los años para evitar pérdida de la programación.

*Nota: La batería por sí sola no opera las válvulas del sistema de aspersores. El temporizador de aspersor tiene incorporado un transformador que debe ser conectado a una fuente de voltaje CA.*

**⚠ ADVERTENCIA: Riesgo de incendio, explosión y electrocución. Reemplace la batería únicamente por una Hitachi Maxell Ltd tipo CR2032. Usar una batería diferente tiene el potencial de ocasionar incendio, explosión y electrocución.**

**⚠ PRECAUCIÓN: Peligro de quemaduras químicas. Mantenga las baterías fuera del alcance de los niños**

**⚠ ADVERTENCIA: Este producto contiene un batería de litio tipo moneda. Si una batería de litio tipo moneda nueva o usada se ingiere o se introduce en el cuerpo, puede ocasionar quemaduras internas severas que pueden conducir a la muerte en tan poco como 2 horas. Siempre asegure completamente el compartimento de la batería. Si el compartimento de la batería no cierra de forma segura, no continúe usando el producto, retire las baterías y manténgalas fuera del alcance de los niños. Si cree que las baterías pueden haber sido ingeridas o introducidas en cualquier parte del cuerpo, busque atención médica inmediata.**



Retire la tirilla plástica para activar la batería

## Reemplazar la batería

- Para retirar la batería, levante el borde de la batería tipo moneda. NO USE el atornillador ni objetos metálicos.
- Inserte la nueva batería CR2032 en ángulo y presione hasta que ajuste en su lugar
- Compruebe que el lado + esté hacia arriba.

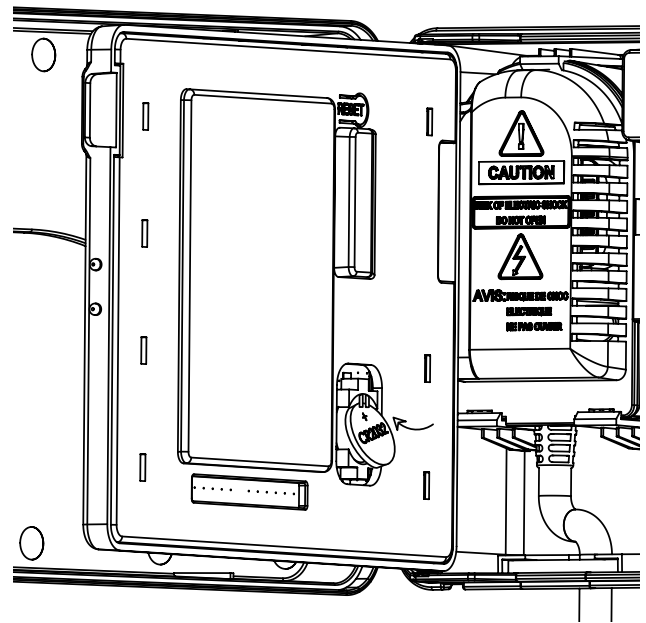
*Nota:* Nota: Sin no hay batería o está baja, la hora y la fecha se pueden borrar luego de una falla de suministro de energía. Si esto sucede, debe instalar una batería completamente cargada.

**Importante:** Si por alguna razón se pierde el programa, el programa de respaldo instalado de fábrica hará funcionar cada una de las estaciones diariamente durante 10 minutos

**⚠ ADVERTENCIA:** El temporizador debe desconectarse de la alimentación de la red al retirar la batería.

**⚠ CUIDADO:** PELIGRO DE EXPLOSIÓN SI LA BATERÍA SE REEMPLAZA INCORRECTAMENTE. REEMPLÁCELA ÚNICAMENTE CON EL MISMO TIPO O UNO EQUIVALENTE RECOMENDADO POR EL FABRICANTE. DESECHE LAS BATERÍAS USADAS DE ACUERDO A LAS INSTRUCCIONES DEL FABRICANTE.

*Nota:* La batería debe desecharse debidamente



## Programación Conexión a Wi-Fi

El temporizador se puede programar conectado a Wi-Fi o sin conexión. Esto permite al jardinero que dejó el teléfono en el interior ejecutar un ciclo manual o ajustar la programación como sea necesario, manteniendo las manos sucias alejadas del teléfono. De otra forma, la programación debe completarse usando las instrucciones incluidas en la app.

### 1. Install B-hyve App

Si no lo ha hecho ya, instale la app B-hyve y cree una cuenta en su dispositivo inteligente.

### 2. Ingrese sus ajustes de Wi-Fi

El temporizador B-hyve™ creará su propia red que aparecerá en su lista de conexiones Wi-Fi disponibles en el dispositivo inteligente. Conéctese a la red Orbit Smart Home y luego regrese a la app Orbit® B-hyve™.

*Nota:* Puede ser necesario que elimine el temporizador del dispositivo inteligente. Vaya a los ajustes y desautorice el temporizador, luego de lo cual pedirá confirmación para eliminarlo.

Luego de regresar a la app, verá una lista de las redes disponibles. Elija su red y luego ingrese la contraseña de la red a la que conectará su temporizador a la señal Wi-Fi. Al conectarse, el icono de Wi-Fi en el temporizador dejará de parpadear y mostrará líneas sólidas.

**Consejo:** Puede emparejar de nuevo el dispositivo inteligente con el temporizador B-hyve™ moviendo el dial a “Apagado” y presionando el botón restablecer en la parte posterior del panel abatible. La pantalla del temporizador mostrará “Emparejar”.swing panel. The timer display will show “Pair.”

*Nota:* Presione la pestaña Restablecer en la parte posterior del panel abatible para borrar toda la programación de fábrica anterior.

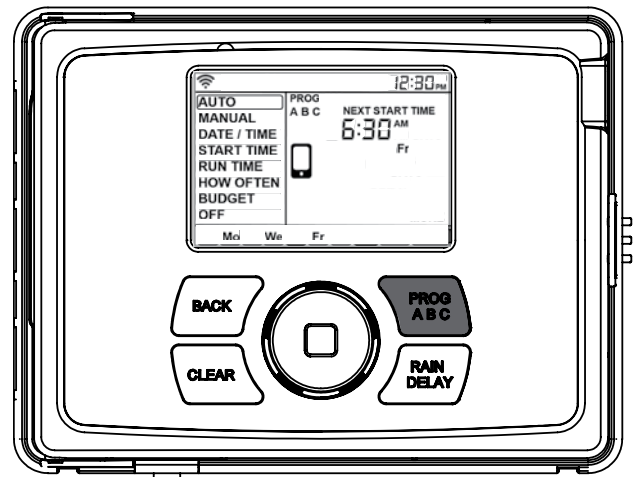
## Botón PROGRAMAR (PROG. ABC)

El temporizador de aspersor proporciona la flexibilidad de usar 3 programas independientes (A, B y C). Un programa es donde se almacenan todos los ajustes del aspersor. Consiste de un grupo de estaciones configuradas para tiempos de inicio y funcionamiento específicos. Múltiples programas permiten que haga funcionar diferentes válvulas en diferentes días y a diferentes horas de funcionamiento. Aunque muchos usos solamente necesitan un programa (A), usar múltiples programas puede ser útil para áreas de goteo, césped recién sembrado o estaciones de aspersores rotatorios. Usar programas para agrupar estaciones con necesidades de agua similares maximiza la eficiencia de la irrigación.

**Por ejemplo:** puede programar las zonas de césped para que funcionen con el programa A, sus camas de flores con el programa B y su jardín con el C, o puede definir las zonas para que usen la irrigación inteligente y el temporizador use el clima local e información del sitio para definir automáticamente una programación de irrigación.

El botón PROG. ABC cambia entre los programas al configurar o modificar horas de inicio, tiempos de funcionamiento, duración y el presupuesto.

1. Presione PROG. ABC para habilitar o deshabilitar los programas que han sido configurados. A, B, C o Inteligente se iluminarán para mostrar los programas que están activos e irrigarán.
2. Para irrigar únicamente en modo inteligente, el icono Teléfono es el único programa que debe mostrarse en la pantalla.



**Nota:** Si no ve la letra del programa (A, B, C o el teléfono) en la pantalla, el programa no irrigará. Presione PROG. ABC hasta que vea los programas que desea irrigar.

**Nota:** Siempre tenga presente el programa en que se encuentra (A, B o C) al hacer cambios.

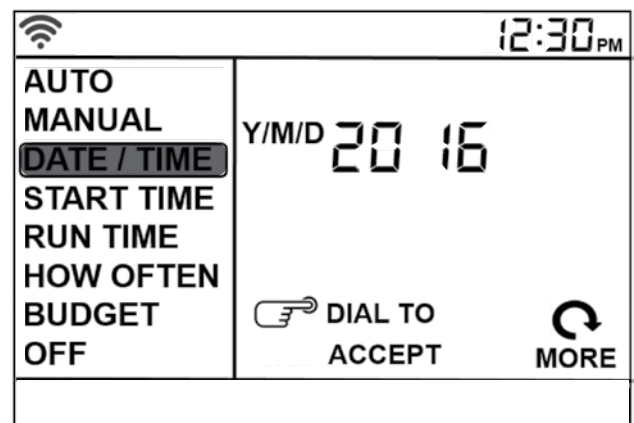
## Fecha/hora

Si está conectado a Wi-Fi, la hora y fecha serán enviadas automáticamente al temporizador de aspersor. Para definir manualmente la fecha y la hora, siga estas instrucciones:

3. Gire el dial hasta que el recuadro de selección esté en FECHA/HORA
4. Presione el dial. Ahora verá A (Año) parpadear.
5. Gire a el dial hasta que se muestre el año actual.
6. Presione el dial para confirmar el año. Ahora verá M (Mes) parpadear.
7. Repita los pasos 3 y 4 para introducir el mes y el día.
8. Luego de confirmar el día, la hora comenzará a parpadear.
9. Gire el dial hasta que se muestre la hora actual.

**Nota:** Continúe girando el dial para cambiar entre a. m. y p. m. Es importante verificar que la selección a. m. o p. m. sea correcta.

10. Presione el dial para confirmar la hora.
11. Repita los pasos 7 y 8 para los minutos. La hora y fecha quedarán definidas





## Start Time

Esta es la hora del día que programó para comenzar la irrigación, la primera zona comenzará a irrigar a la primera hora de inicio. Puede definir hasta 4 horas de inicio. Cuando se configura la hora de inicio antes que se complete el programa anterior, la hora de inicio será "puesta en cola" o retrasada y comenzará al terminar el programa anterior.

**Consejo:** Solo es necesaria una hora de inicio para hacer funcionar todas las zonas.

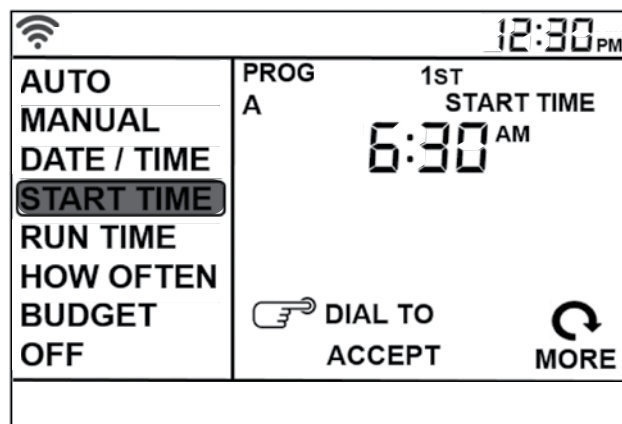
1. Gire el dial hasta que el recuadro de selección esté en HORA DE INICIO
2. Presione el dial. Ahora verá los guiones de hora (--) parpadear.
3. Gire el dial hasta llegar a la hora de inicio deseada.

**Nota:** Continúe girando el dial para cambiar entre a. m. y p. m.

4. Presione el dial para confirmar la hora de inicio. Ahora verá los guiones de los minutos (--) parpadear.
5. Gire el dial hasta llegar a los minutos de inicio deseados.
6. Presione el dial para confirmar los minutos de inicio.

**Nota:** Luego de presionar el dial, el temporizador avanzará automáticamente a la segunda hora de inicio. Si se necesitan horas de inicio adicionales, repita este proceso. Las horas de inicio adicionales son útiles para

**Ejemplo:** Bill acaba de plantar nuevas semillas de césped y



desea regar tres veces por día. Defina la HORA DE INICIO 1 a las 5:00 a. m., la HORA DE INICIO 2 a las 12:00 p. m. y la HORA DE INICIO 3 a las 5:00 p. m. También defina FRECUENCIA en INT (intervalo) CADA 1 DÍAS (consulte la sección 2, FRECUENCIA). En modo AUTOMÁTICO, el sistema irriga 3 veces por día. Una vez que el semillero de Bill esté arraigado, puede BORRAR las horas de inicio 2 y 3 y regresar a irrigar una sola vez por día.

- Presione PROG. ABC para definir las horas de inicio de programas adicionales y repita los pasos anteriores.

## Tiempo de funcionamiento

Es donde se configura el tiempo de irrigación con que cada estación funciona. La estación es el área o la zona que será irrigada por cada válvula.

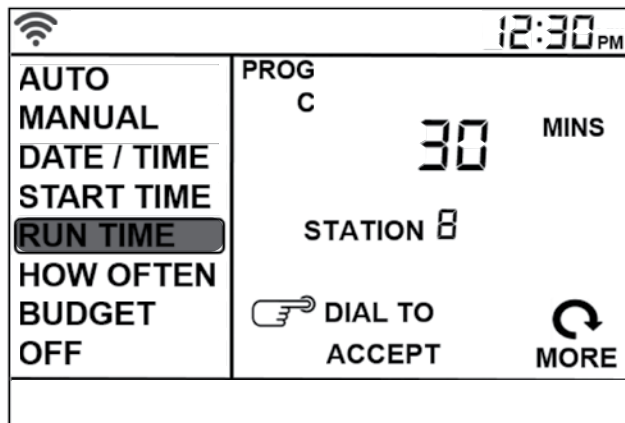
7. Gire el dial hasta que el recuadro de selección esté en TIEMPO DE FUNCIONAMIENTO.
8. Press the dial. You will now see the STATION number flashing.
9. Gire el dial hasta llegar al número de la zona que desea programar.
10. Presione el dial para confirmar la zona. Ahora verá el número de MIN parpadear.
11. Gire el dial hasta llegar a la duración deseada para la zona.
12. Presione el dial para confirmar el tiempo de funcionamiento.

**Nota:** El temporizador avanzará automáticamente a la siguiente estación y los MIN parpadearán.

13. Repita los pasos 5 y 6 para cada zona que desee configurar.

- Si desea configurar zonas en diferentes programas (A, B o C), presione el botón PROG. ABC hasta que se muestre el programa deseado y repita los pasos.

**Nota:** Presione el botón ATRÁS para regresar al menú principal LCD





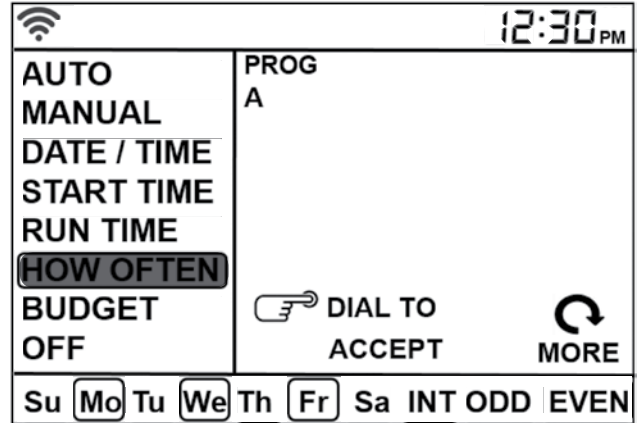
## Frecuencia

Hay tres tipos de opciones que determinan qué tan frecuentemente (los días o intervalos) irriga el temporizador.

- Días de la semana (Lunes, martes, miércoles, etc.)
- Intervalos (Cada “X” número de días)
- Los días pares o impares

## Días de la semana

1. Gire el dial hasta que el recuadro de selección esté en FRECUENCIA.
  2. Presione el dial. Ahora verá Do (Domingo) parpadear.
  3. Gire el dial hasta que parpadee el día de la semana deseado.
  4. Presione el dial para confirmar su selección y se mostrará un marco alrededor del día seleccionado.
  5. Repita el proceso hasta que todos los días de irrigación deseados tengan un recuadro a su alrededor.
  6. Presione ATRÁS para regresar al menú principal.
  7. Gire el dial a Automático y presiónelo para seleccionar.
- Para borrar un día anteriormente introducido, gire el dial hasta el día y presiónelo para deseleccionarlo.
  - Si desea borrar todos los días de irrigación, presione el botón BORRAR.

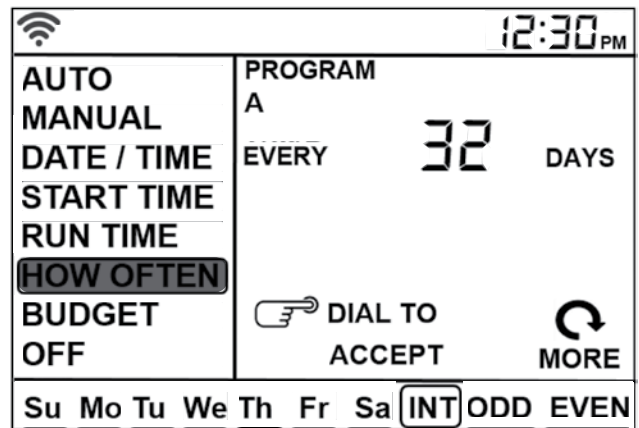


## Intervals

1. Turn dial until the selection box is on HOW OFTEN.
2. Press the dial. You will now see Su (Sunday) flashing.
3. Turn the dial to INT.
4. Press the dial to confirm. A frame will appear around INT and EVERY 1 DAYS will appear in the display.
5. Turn the dial to increase the number, press the dial when your desired number of days between waterings is reached.

*Example: An interval of 1 will water every day; an interval of 3 will water every 3rd day, etc.*

6. Press BACK to return to the main menu.
7. Turn the dial to Auto and press the dial to select. You have programmed your timer!



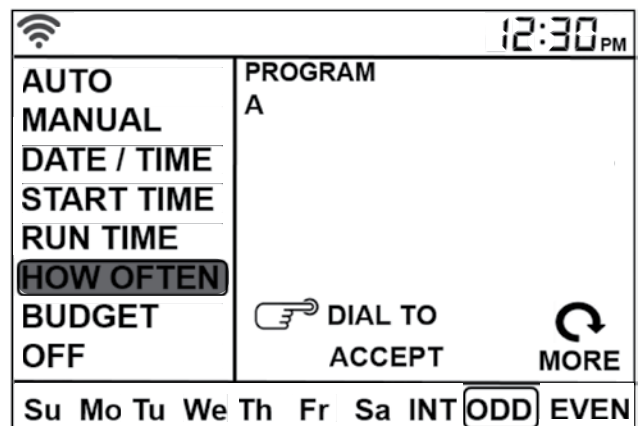
## Los días pares o impares

1. Gire el dial hasta que el recuadro de selección esté en FRECUENCIA.
  2. Presione el dial. Ahora verá Do (Domingo) parpadear.
  3. Gire el dial a PARES o IMPARES.
- Presione el dial para confirmar. Se mostrará un marco alrededor de IMPARES O PARES

*Ejemplo: Impares: 1, 3, 5, etc.*

*Ejemplo: Pares: 2, 3, 6, etc.*

4. Presione ATRÁS para regresar al menú principal.
5. Gire el dial a Automático y presiónelo para seleccionar. ¡Ya ha programado su temporizador!



## Automático

El temporizador deberá estar en AUTOMÁTICO durante la temporada de irrigación y en APAGADO los meses de verano o en los que no se irriga.

Gire el dial a la posición AUTOMÁTICO y presiónelo o simplemente déjelo ahí para mantenerlo en AUTOMÁTICO.

Si la selección del dial queda en una posición diferente a APAGADO, regresará a AUTOMÁTICO luego de aproximadamente 20 segundos.

Para APAGAR el temporizador, gire el dial a APAGADO y presiónelo o simplemente déjelo en posición APAGADO.

**Consejo:** Puede apagarlo y cambiarlo a automático en la app

## Funciones adicionales RETRASO DE LLUVIA

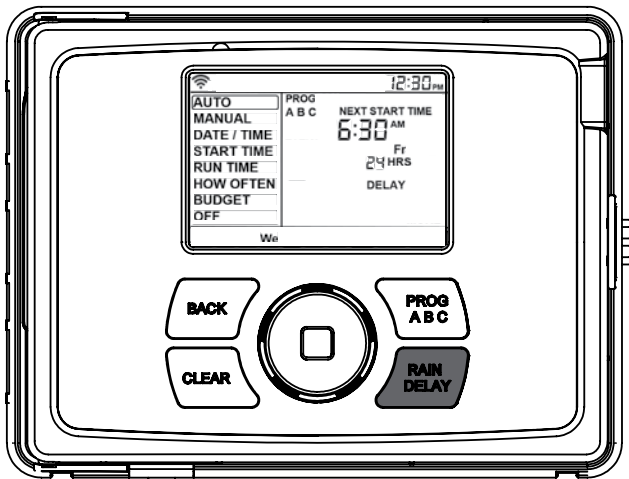
El botón Retraso de Lluvia puede ser usado para retrasar el temporizador de aspersor de 1 a 32 días. Al final del tiempo seleccionado para retraso de lluvia, la irrigación automática continuará.

1. Asegúrese que el temporizador está en AUTOMÁTICO
2. Presione el botón Retraso de Lluvia para retrasar la irrigación automáticamente durante 24 horas.

**Nota:** Si se desea un retraso de lluvia más prolongado, presione repetidamente el botón Retraso de lluvia o gire el dial hasta que se muestre el número días deseados.

- En modo retraso de lluvia, el temporizador mostrará el número restante de retraso en días u horas.
- Para cancelar el retraso de lluvia, presione el botón BORRAR y la programación de irrigación continuará.
- Para activar o desactivar las terminales de sensores de lluvia, presione y mantenga presionado el botón RETRASO DE LLUVIA durante 5 segundos.

**Nota:** Esta función es útil para omitir el sensor si se necesita irrigar antes que el sensor esté seco y se reanude la irrigación.



## Presupuesto

La función de presupuesto de agua facilita cambiar todos los tiempos de funcionamiento si tener que cambiarlos uno por uno. Esto es perfecto para ajustar todas las zonas para los cambios estacionales.

El intervalo de ajuste es de 10% a 200%, en incrementos 10%. El valor predeterminado es 100%, que significa que el temporizador hace funcionar cada zona exactamente el número de minutos que introdujo como tiempo de funcionamiento. El presupuesto se mantiene ajustado al rango programado hasta que lo cambie.

1. Gire el dial hasta que el recuadro de selección esté en presupuesto.
2. Presione el dial. Ahora verá los números parpadear.

**Nota:** 100 es el valor predeterminado.

3. Para ajustarlo, gire el dial hasta el porcentaje del presupuesto deseado. Ajustar el presupuesto ajustará todos los tiempos de funcionamiento del programa en el porcentaje elegido.

**Ejemplo:** Si tiene zonas configuradas para irrigarse durante 10 minutos y ajusta su presupuesto de 100% a 150%, esas mismas zonas se irrigarán durante 15 minutos sin tener que cambiar cada tiempo de funcionamiento.

4. Presione el dial para confirmar la elección. Si desea configurar programas adicionales (A, B o C), presione el botón PROG. ABC hasta que se muestre el programa deseado y repita el proceso.

## Manual

El temporizador tiene la capacidad de permitirle irrigar manualmente sin cambiar el programa predefinido. El modo manual se usa para probar zonas o para hacer funcionar un ciclo adicional para una zona, programa, o para todas las zonas.

Para irrigar todas las zonas

1. Gire el dial hasta que el recuadro de selección esté en MANUAL
2. Presione el dial. Ahora verá que se muestra TODAS en la pantalla
3. Presione de nuevo el dial. Ahora verá 0 parpadear.
4. Gire el dial hasta llegar a la duración manual deseada.
5. Presione el dial para comenzar a regar.

**Nota:** Si el tiempo de funcionamiento manual no ha sido definido, el temporizador no iniciará la irrigación manual y la pantalla regresará al tiempo actual.

Para irrigar programas específicos: A, B o C

1. Gire el dial hasta que el recuadro de selección esté en MANUAL
2. Presione el dial. Ahora verá que se muestra TODAS en la pantalla
3. Gire el dial hasta que se muestren los programas que desea irrigar (ABC para todos, o A, B o C para uno individual).
4. Presione el dial para comenzar a irrigar el programa seleccionado.

Para irrigar una zona específica

1. Gire el dial hasta que el recuadro de selección esté en MANUAL
2. Presione el dial. Ahora verá que se muestra TODAS en la pantalla
3. Gire el dial pasando por los programas A, B y C hasta ESTACIÓN 1. Presione el dial. Verá que en la pantalla se muestra 0 y MIN.
4. Gire el dial hasta que la estación que desea hacer funcionar aparezca en la pantalla.
5. Presione el dial. El 0 parpadeará una vez.
6. Gire el dial hasta que se muestre el número de minutos durante los cuales desea que la estación funcione.
7. Presione el dial para comenzar a irrigar el programa especificado.

**Ejemplo:** Para irrigar manualmente la zona 3 durante cinco minutos, gire el dial hasta [MANUAL] y presiónelo. Gire el dial hasta que vea la estación 6 o 12, presione el dial y gírelo hasta que vea la estación 3, luego presiónelo de nuevo. Gire el dial hasta que en la pantalla se muestre cinco minutos y luego presiónelo.

**Nota:** Mientras está funcionando la estación programada manualmente, puede programar más de una zona específica usando este proceso. Repita los pasos para la selección de zona y duración de irrigación de las demás zonas.

Para detener la irrigación manual, presione BORRAR

## Conectar un sensor de lluvia

Conecte los cables del sensor de lluvia a los puertos de cableado del terminal marcados "Sensor".

**Nota:** Consulte el manual del sensor de lluvia para las instrucciones de cableado específicas.

Omitir el sensor de lluvia

Este temporizador de aspersor está equipado con un interruptor de invalidación "apagado/encendido". Esto se usa durante el mantenimiento o las reparaciones, para que el temporizador de aspersor pueda operarse incluso si el sensor de lluvia está en modo activo. Para invalidar el sensor, presione y mantenga presionado el botón Retraso de lluvia durante 5 segundos.

La pantalla mostrará SENS Y APAGADO o SENS y ENCENDIDO

**Importante:** Si el sensor de lluvia está en "encendido" y no hay un sensor conectado, el temporizador de aspersor no funcionará. Para continuar la operación del temporizador de aspersor, presione y mantenga presionado el botón Retraso de lluvia durante 5 segundos o reconecte el cable de puente a los terminales del sensor.

## Inicio de la bomba y válvula maestra

Este temporizador de aspersor permite que opere un relé para válvula maestra o iniciar la bomba cuando se active una estación.

**Nota:** Si está activando una bomba desde este temporizador, debe comprar un relé para iniciar la bomba. Desde el relé para iniciar la bomba (o la válvula maestra), conecte un cable a la terminal "Bomba" y el otro cable a la terminal "Común".

## GLOSARIO

### HORA DE INICIO

la hora a la que el programa comienza a irrigar la primera estación programada.

### VÁLVULA

suministra agua a una estación o área especificada. Abrir y cerrar la válvula se lleva a cabo mediante la corriente eléctrica suministrada por el temporizador de aspersor.

### VÁLVULA MAESTRA

generalmente localizada en la fuente principal de agua. Abre y corta el agua de todo el sistema de irrigación cuando este no está en uso.

### MÚLTIPLES TIEMPOS DE INICIO

una función del controlador que permite que un programa funcione múltiples veces en el mismo día de irrigación.

### PROGRAMAS TRASLAPADOS

cuando el "Tiempo de inicio" de un programa está definido antes de completar el programa anterior.

### PROGRAMA (A, B o C)

programas individuales definidos por el usuario. Cada programa opera independientemente. Si un programa se superpone a otro, los programas se "apilarán". Luego que el primer programa haya terminado, el siguiente comenzará.

### RETRASO DE LLUVIA

una función que retrasa el funcionamiento de un programa de irrigación programado durante un tiempo específico.

### SOLENOIDE

una parte eléctrica de la válvula de irrigación que abre y cierra la válvula.

### TEMPORIZADOR DE ASPERSOR

un dispositivo que hace funcionar las válvulas de las estaciones.

### ESTACIÓN

un grupo de aspersores operados por una sola válvula, que es controlada por el temporizador.

### PRESUPUESTO DE IRRIGACIÓN

ajusta el programa de irrigación general como un porcentaje de la duración de irrigación total.

## Resolución de problemas

Problema	Posible causa
Una o más válvulas no abren	1. Conexión del solenoide defectuosa
	2. Cable dañado o cortado
	3. Vástago de control de flujo atornillado, cerrando la válvula
	4. La programación es incorrecta
Las estaciones se activan cuando no deberían	1. La presión del agua es demasiado alta
	2. Hay programado más de un tiempo de inicio
	3. La configuración a. m./p. m. es incorrecta
Una estación está atascada y no se apaga	1. Válvula dañada
	2. Partículas de tierra o mugre atoradas en la válvula
	3. Diafragma de la válvula defectuoso
All valves do not turn on	1. Transformador defectuoso o no conectado
	2. La programación es incorrecta
El temporizador no se enciende	1. El transformador no está conectado a un tomacorriente funcional
Las válvulas siguen activándose y desactivándose cuando no están programadas	1. Hay programado más de un tiempo de inicio con programaciones superpuestas
	2. Presión excesiva
La pantalla muestra Falla y un número de zona parpadea	1. Corto en el cable
	2. Corto en el solenoide

# Especificaciones

## Alimentación:

Australia—240V CA 50/60 HZ 0,15 A

Europa—230V CA 50/60 HZ 0,15 A

EE: UU.—120V CA 50/60 HZ 0,15 A

## Carga máxima:

Australia y Unión Europea - 24 V CA, 1 A, 50/60 HZ

EE. UU.—24 V CA, 0,15 A, 60 HZ

Rango de temperatura de operación:

Operación: 32 °F - 167 °F (0 °C - 75 °C)

Almacenamiento y transporte: 32 °F - 176 °F (0 °C - 80 °C)

Rango de humedad de operación:

Operación: 0% - 80%

Almacenamiento y transporte: 0% - 90%

Altitud: 6.500' (2.000 METROS)

Calificación IPX5

Instalación Clase II

Sobre voltaje Categoría II

## ▲ ADVERTENCIA: La batería debe ser removida del temporizador antes de desecharlo.

### Ayuda

Si la app o el sitio web no tienen lo que está buscando, por favor llame a nuestra línea de asistencia técnica antes de regresar el temporizador de aspersor a la tienda.

Europa y África del Sur

Email: [info@orbiteurope.com](mailto:info@orbiteurope.com)

Sudamérica

Teléfono: +56 2 22419718

Email: [fbenavides@sercoriego.cl](mailto:fbenavides@sercoriego.cl)

[www.orbitonline.com](http://www.orbitonline.com) | [bhyve.orbitonline.com](http://bhyve.orbitonline.com)

## Clasificaciones

Este temporizador de aspersor está probado para el estándar UL-50 y está certificado ETL®.

Desconexión: Tipo 1Y

Situación de polución normal.

El cable de alimentación de este control solo puede ser reemplazado por el fabricante o un agente de servicio acreditado.

**NOTA:** Este equipo ha sido probado y cumple con los límites para un dispositivo digital de Clase B, según la Parte 15 de las Normas de la FCC. Estos límites se diseñaron para proporcionar protección razonable contra interferencias perjudiciales en una instalación residencial. Este equipo genera, utiliza y puede emitir energía de radio frecuencia y, si no se instala y utiliza conforme a las instrucciones, podría provocar interferencias perjudiciales para las comunicaciones por radio. Sin embargo, no hay garantía de que no se vaya a producir interferencia en una instalación en específico. Si este equipo causa interferencias perjudiciales a la recepción de radio o televisión, lo cual puede comprobarse encendiéndolo y apagándolo, se recomienda al usuario que intente corregir la interferencia tomando una o más de las siguientes medidas:

- Cambie la orientación o ubicación de la antena receptora.
- Aumente la distancia entre el equipo y el receptor.
- Conecte el equipo a un tomacorriente en un circuito diferente de aquel al que está conectado el receptor.
- Consulte al distribuidor o a un técnico de radio y TV con experiencia.

**Precaución:** Este aparato no debe ser usado por niños pequeños o personas enfermas sin supervisión. Los niños pequeños deben estar supervisados para asegurarse que no jueguen con el aparato.

## INFORMACIÓN IMPORTANTE DE SUS DERECHOS Y OBLIGACIONES, AL IGUAL QUE LAS LIMITACIONES Y EXCLUSIONES Y LIMITACIONES QUE PUEDEN APLICARLE.

### 1. SUS DERECHOS Y ESTA GARANTÍA LIMITADA

Esta garantía limitada le otorga derechos legales específicos. También puede tener otros derechos, los cuales varían de estado en estado, provincia o jurisdicción. Las declinaciones de responsabilidades, exclusiones, exclusiones y limitaciones a la responsabilidad de acuerdo con esta garantía limitada no aplicarán al alcance prohibido por la ley. Para obtener una descripción completa de sus derechos legales, debe consultar las leyes que aplican en su jurisdicción y puede desear contactar a un servicio de asesoría para el consumidor relevante.

**2. LO QUE CUBRE ESTA GARANTÍA LIMITADA - PERIODO DE LA COBERTURA**  
Orbit Irrigation Products, Inc. ("Orbit") garantiza al propietario del producto incluido que el producto que contiene esta caja, el ("Producto") estará libre de defectos por materiales y mano de obra por un periodo de dos (2) años a partir de la fecha de entrega luego de la compra minorista original (el "Periodo de la garantía"). Si el Producto no cumple con esta Garantía Limitada durante el Periodo de garantía, Orbit, a su entera discreción, podrá (a) reparar o reemplazar el Producto o componente defectuoso; o (b) aceptar la devolución del producto y reembolsar el dinero efectivamente pagado por el comprador original del Producto. La reparación o reemplazo podrán realizarse con un producto o componente nuevo o reacondicionado, a la entera discreción de Orbit.

Si el Producto o componente incorporado en el producto ya no está disponible, Orbit podrá reemplazar el Producto con uno similar con función similar, a la entera discreción de Orbit. Este es su única y exclusiva reparación por la violación de esta

Garantía Limitada. Cualquier Producto que haya sido reparado o reemplazado de conformidad con esta Garantía Limitada será cubierto por los términos de esta Garantía

Limitada hasta por treinta (30) días posteriores a la fecha de entrega o por el Periodo de Garantía restante. Esta Garantía Limitada es transferible del comprador original a lo sucesivos, pero el Periodo de la Garantía no será extendido en duración ni ampliado en cobertura debido a dicha transferencia..

### 3. CONDICIONES DE LA GARANTÍA - COMO OBTENER SERVICIO

Antes de poder reclamar de conformidad con esta Garantía Limitada, el propietario del Producto debe notificar a Orbit su intención de reclamar visitando [www.orbitonline.com/](http://www.orbitonline.com/) contact durante el Periodo de Garantía y proporcionar una descripción de la supuesta falla y cumplir con las instrucciones para envío de Orbit. Orbit no tendrá obligaciones de garantía relacionada con los Productos devueltos si determina, a su razonable discreción luego de examinar el Producto devuelto, que el Producto es un Producto inelegible (Definido a continuación). Orbit pagará todos los costos de enviar la devolución al propietario y reembolsará los costos de envío en que haya incurrido el propietario, excepto los relacionados con cualquier Producto Inelegible, por el cual el propietario pagará todos los costos de envío.

### 4. LO QUE NO CUBRE ESTA GARANTÍA LIMITADA

Esta garantía no cubre los siguientes (en conjunto "Productos inelegibles"): Productos marcados como "muestra" o vendidos "como es", o Productos que hayan sido sujetos a: (a) Modificaciones, alteraciones, manipulación, mantenimiento inadecuado o reparaciones; (b) manipulación, almacenamiento, instalación, pruebas o uso que no estén de conformidad con las instrucciones proporcionadas por Orbit; (c) abuso o uso indebido del Producto; (d) averías, fluctuaciones o interrupciones del suministro de agua, energía eléctrica o de la red de telecomunicaciones; o (e) actos de Dios, incluyendo rayos, inundaciones, tornados, terremotos o huracanes. Esta garantía no cubre las piezas consumibles incluyendo baterías, a menos que el daño sea debido a defectos en los materiales o mano de obra del Producto, o software (incluso si fue empacado o vendido con el Producto). Orbit recomienda que únicamente haga uso de los proveedores de servicio autorizados para los mantenimientos y reparaciones. El uso no autorizado del Producto o el software puede afectar el desempeño del Producto e invalidar esta Garantía Limitada.

A menos que explícitamente prometa una "garantía", Orbit no garantiza ni promete ningún nivel específico de ahorro de agua, salud del jardín o césped, ni beneficio alguno del uso de un Producto o de una de sus características. El ahorro de agua real, la salud del jardín y el césped y otros beneficios pueden variar de acuerdo con factores más allá del control y conocimiento de Orbit.

**5. DECLINACIÓN DE GARANTÍAS EXCEPTO LO ANTERIORMENTE ESTABLECIDO EN ESTA GARANTÍA LIMITADA, Y HASTA EL ALCANCE MÁXIMO PERMITIDO POR LA LEY APLICABLE, ORBIT DECLINA TODAS LAS GARANTÍAS Y CONDICIONES EXPRESAS, IMPLÍCITAS Y ESTADUARIAS RELACIONADAS CON EL PRODUCTO, INCLUYENDO LAS GARANTÍAS IMPLÍCITAS DE MERCANTIBILIDAD E IDONEIDAD PARA UN PROPÓSITO EN PARTICULAR. HASTA EL ALCANCE MÁXIMO PERMITIDO POR LA LEY APLICABLE, ORBIT TAMBIÉN LIMITA LA DURACIÓN DE CUALQUIER GARANTÍA IMPLÍCITA O CONDICIONES A LA DURACIÓN DE ESTA GARANTÍA LIMITADA.**

**6. LIMITACIÓN DE LOS PERJUICIOS ADICIONALMENTE A LAS ANTERIORES DECLINACIONES DE GARANTÍAS, EN NINGÚN CASO ORBIT SERÁ RESPONSABLE POR PERJUICIOS CONSECUENTES, INCIDENTALES, EJEMPLARES O ESPECIALES, INCLUYENDO LOS PERJUICIOS POR PÉRDIDA DE DATOS O UTILIDADES, QUE SURJAN DE O EN RELACIÓN CON ESTA GARANTÍA LIMITADA O EL PRODUCTO, Y LA RESPONSABILIDAD ACUMULADA TOTAL DE ORBIT QUE SURJA O SE RELACIONE CON ESTA GARANTÍA LIMITADA O EL PRODUCTO NO EXCEDERÁ EL MONTO EFECTIVAMENTE PAGADO POR EL PRODUCTO POR EL COMPRADOR ORIGINAL.**

**7. LIMITACIÓN DE LA RESPONSABILIDAD TENDRÁ LA CAPACIDAD DE USAR CIERTOS SERVICIOS ORBIT (LOS "SERVICIOS") CON NUESTROS PRODUCTOS. SU USO DE ESOS SERVICIOS ESTÁN SUJETO A TÉRMINOS DE SERVICIO SEPARADOS.**

### 8. VARIACIONES QUE PUEDEN APLICAR A ESTA GARANTÍA LIMITADA

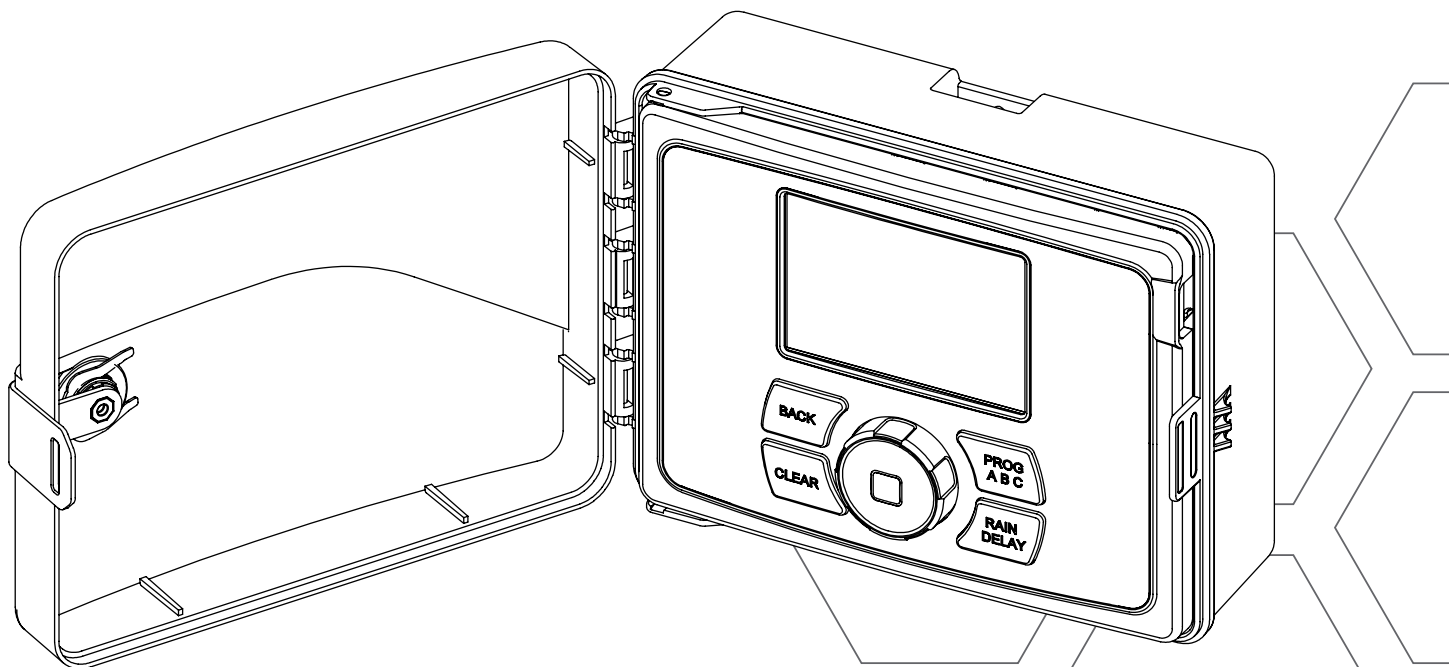
Algunas jurisdicciones no permiten limitaciones a la duración de una garantía implícita o a las exclusiones/limitaciones de los perjuicios incidentales o consecuentes, por lo que algunas de las limitaciones anteriormente establecidas pueden no aplicarle.

Benvenuti su



**b•hyve™**

TIMER INTELLIGENTE WIFI  
PER IRRIGATORI



Manuale  
d'uso



# Benvenuti su B-hyve™

La natura è un bellissimo giardiniere e lavora sempre sottilmente insieme a voi per prendersi cura del vostro paesaggio. Le api offrono un esempio eccellente di questo straordinario sforzo invisibile per aiutare le loro piante a crescere. L'alveare è il fulcro in cui questo sforzo viene coordinato e in cui avviene la comunicazione. Sebbene la natura faccia un grande lavoro, talvolta è necessario un piccolo aiuto. È qui che entriamo in gioco noi. Quando ci si collega al Timer intelligente WiFi per irrigatori B-hyve tramite la propria rete WiFi, ci si sta collegando alla natura. Il clima locale, insieme ad alcune informazioni utili sul vostro paesaggio, lavoreranno insieme per fornire la giusta quantità di acqua alle vostre piante, eliminando gli sprechi d'acqua e risparmiando denaro. Grazie per esservi connessi e benvenuti su B-hyve!

Si ricorda che è possibile impostare il timer con l'applicazione. Ma, se non si dispone di una connessione WiFi o semplicemente si vuole effettuare una regolazione mentre si è fuori casa, è possibile farlo con il timer. Le modifiche apportate al timer si rifletteranno all'applicazione e le modifiche apportate all'applicazione si rifletteranno al timer.

Inoltre, l'App è munita di schermate e video di aiuto per aiutarvi con le connessioni WiFi, la programmazione, l'irrigazione intelligente e altre questioni di carattere generale che potreste dover affrontare.

Se l'App e il sito non sono ciò che state cercando, si prega di chiamare la nostra linea di assistenza tecnica.

## Aiuto

EUROPA E SUD AFRICA  
E-MAIL: INFO@ORBITEUROPE.COM  
SUD AMERICA  
TELEFONO: +56 2 22419718  
E-MAIL: FBENAVIDES@SERCORIEGO.CL  
www.orbitonline.com  
bhyve.orbitonline.com

PER PRESTAZIONI OTTIMALI DEL  
TIMER, COLLEGARSI ALLA RETE  
WIFI PER RICEVERE GLI ULTIMI  
AGGIORNAMENTI SUL TIMER.

## Sommario

### Parti

Timer per irrigatori .....	2
Comandi del Timer .....	2
Digital Display .....	3
Applicazione B-Hyve.....	3

### Installazione

Selezione di una posizione .....	4
Montaggio del Timer .....	4
Cablaggio delle valvole degli irrigatori .....	5
Cablaggio del Timer B-hyve.....	5
Collegamento alla rete elettrica .....	6
Activating Batteria .....	6
Replacing the Batteria.....	7

### Programmazione

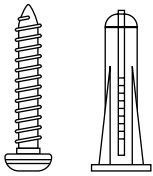
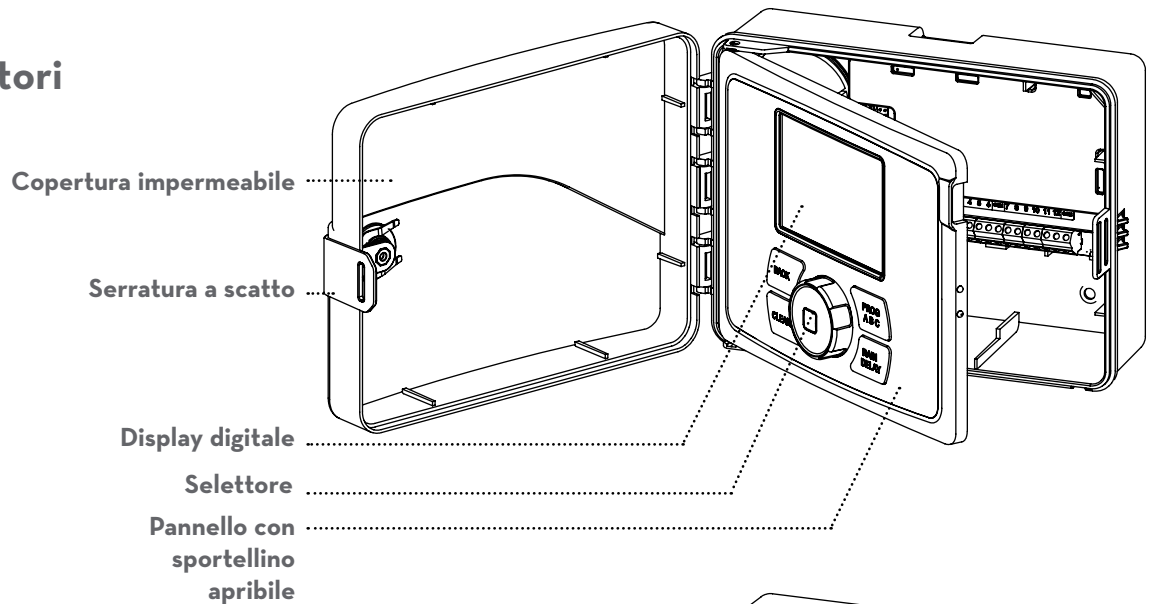
Collegamento alla rete WiFi.....	7
Pulsante PROG ABC.....	8
Data/Ora.....	8
Orario di avvio.....	9
Orario di funzionamento .....	9
Frequenza.....	10
Automatico.....	11

### Caratteristiche aggiuntive

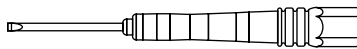
Ritardo per pioggia .....	11
Budget.....	11
Manuale.....	11
Sensore di pioggia.....	12
Avvio pompa & Master Valve .....	12
Definizioni dei termini .....	12
Risoluzione dei problemi.....	13
Specifiche .....	14



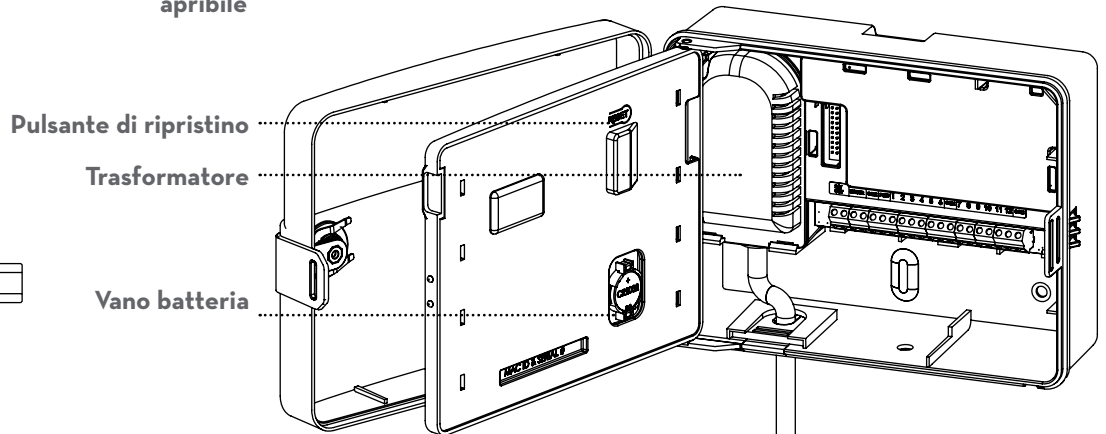
## Parti Timer per irrigatori



Parti di ferramenta per l'installazione



Cacciavite



## Comandi del Timer

### BACK (Cancella):

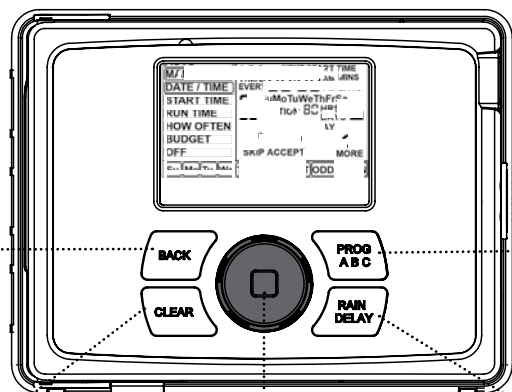
Per tornare indietro di un passaggio o tornare al menu principale

*Nota: Il tasto BACK (Indietro) può essere spinto due volte per tornare alla modalità Auto (Automatica)*

### CLEAR (Cancella):

Per cancellare un'impostazione

*Nota: Il tasto CLEAR (Cancella) può anche essere utilizzato per annullare Rain Delay (Ritardo per pioggia), annullare un programma in esecuzione o annullare un ciclo di irrigazione manuale.*



### QUADRANTE:

Spostarsi in alto o in basso, a sinistra o a destra e premere per effettuare una selezione

*Nota: Se che una selezione sul quadrante viene lasciata in una posizione diversa da OFF (Disattivata), verrà ripristinata alla modalità AUTO (Automatica) dopo circa 20 secondi.*

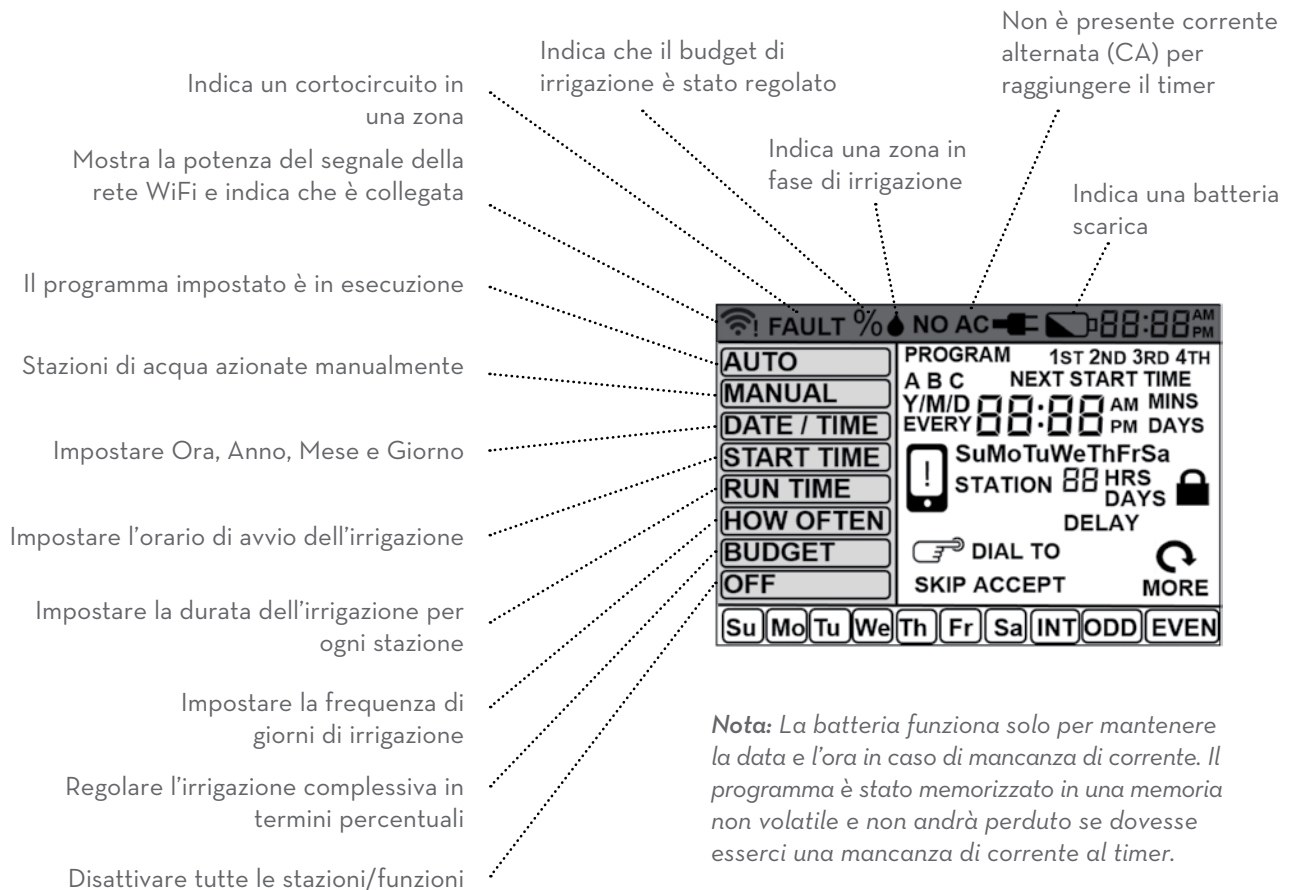
### PROG ABC:

Per passare a un programma diverso, consultare pagina 8 per i dettagli

### RAIN DELAY (Ritardo per pioggia):

Per sospendere il funzionamento a causa di pioggia o altri fattori. Consultare pagina 11

## Display digitale



## Applicazione B-hyve™

Sarà necessario installare l'applicazione B-hyve™ e creare un account sul proprio dispositivo intelligente dopo aver installato il timer.

*Nota: L'applicazione prevede una procedura guidata per orientare l'utente nel corso della configurazione iniziale del timer per irrigatori. Sono inoltre presenti icone di aiuto in tutta l'applicazione contenenti ulteriori informazioni e consigli utili.*



# Installazione

## Selezione di una posizione

Quando si sceglie una posizione per il timer, considerare quanto segue:

- Scegliere un luogo vicino a una presa elettrica.
- Individuare un punto dove il segnale WiFi è buono.

**Consiglio:** È possibile controllare questa opzione utilizzando uno smartphone (trovare una posizione che abbia un segnale di almeno due barre)

- Assicurarsi che le temperature di esercizio non siano inferiori a 0 °C o superiori a 70 °C.
- Posizionare il timer lontano dalla luce solare diretta.
- Assicurarsi che vi siano 23 cm di spazio a sinistra della scatola del timer per irrigatori, in questo modo si permetterà l'apertura dello sportellino dopo l'installazione.
- Consentire un facile accesso ai fili di irrigazione (dalle valvole).



Segnale minimo

**IMPORTANTE:** Il timer è resistente agli agenti atmosferici secondo le norme UL-50 e ETL®Listings, ma non deve essere collocato in zone dove l'acqua continua potrebbe provocare danni.

**Consiglio:** Se si sostituisce un timer, è utile scattare una fotografia dei fili prima di rimuoverli dal vecchio timer.

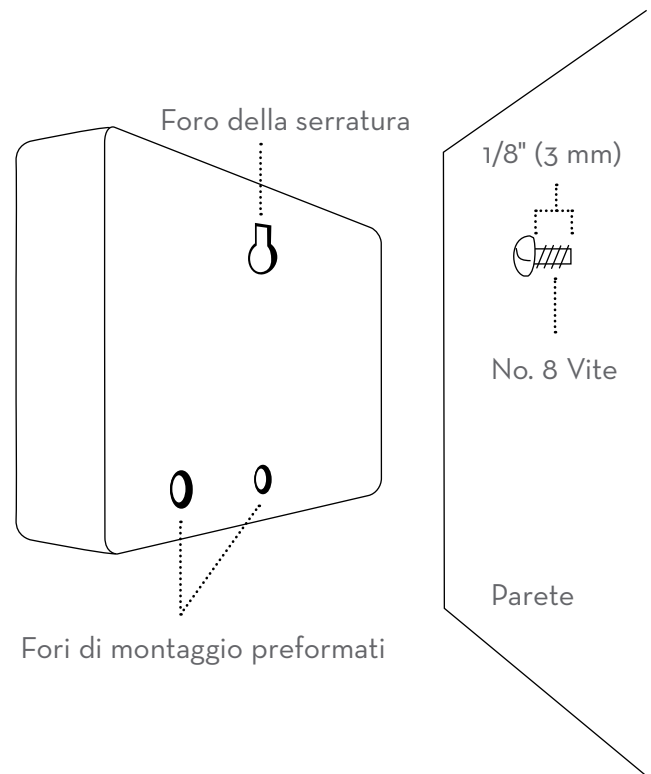
## Montaggio del Timer

Strumenti necessari

- Piccolo cacciavite a testa piatta (incluso nel pacchetto di parti di ferramenta)
- Pinza spelafili
- Trapano con punta da 4,8 mm
- Livello

**Consiglio:** Utilizzare i tasselli di espansione (inclusi in dotazione) per installazioni che necessitano di intonaco, muratura o cartongesso

1. Installare una vite N. 8 (inclusa in dotazione) nella parete, lasciando la testa della vite sporgente di 3 mm dalla parete.
2. Appendere il timer sulla vite installata utilizzando il foro della serratura situato sulla parte superiore posteriore dell'armadietto.
3. Livellare il timer e installare la seconda vite in uno dei fori di montaggio preformati situati sulla parte inferiore posteriore dell'armadietto per fissare il timer.



## Cablaggio delle valvole degli irrigatori

1. Spellare (13 mm) la guaina di protezione di plastica sull'estremità di ciascun cavo dei cavi sia della valvola che del timer per irrigatori.
2. Collegare un cavo da ciascuna valvola a un singolo cavo "comune" (COM) (di solito bianco) degli irrigatori.

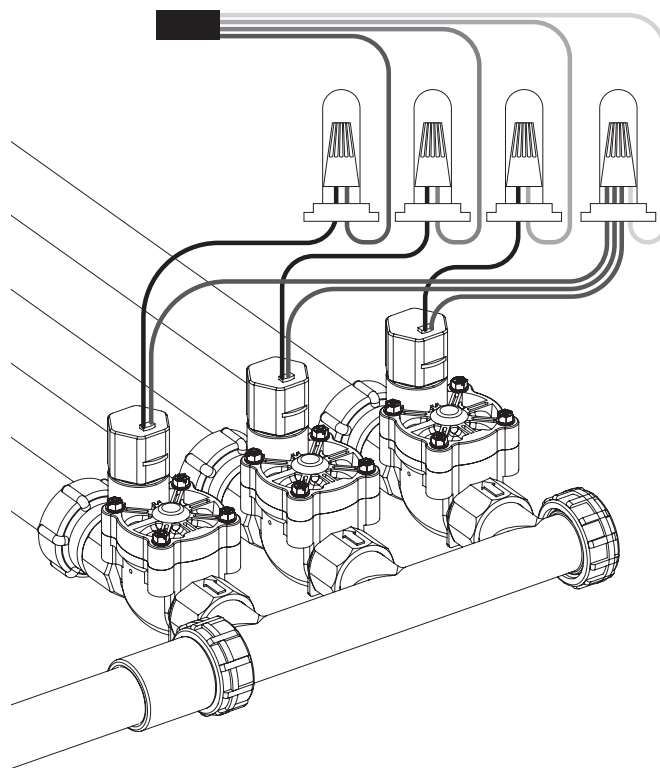
**Consiglio:** Non importa quale cavo sulla valvola venga collegato, purché ne venga collegato almeno uno per ciascuna valvola.

3. Collegare il cavo rimanente di ciascuna valvola a un cavo di colore diverso dell'irrigatore che verrà collegato al terminale del timer

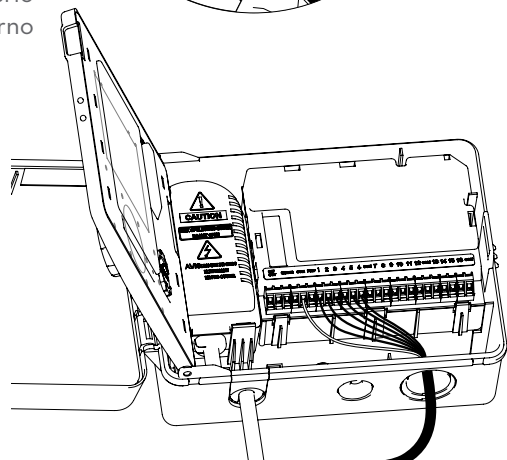
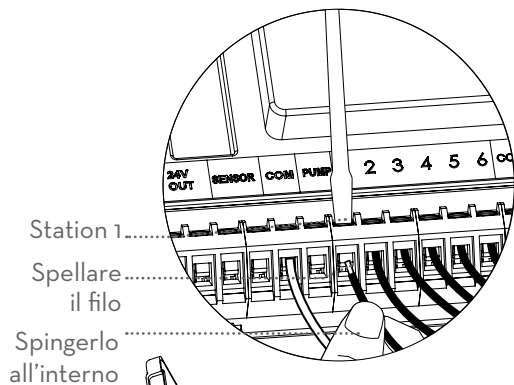
**Nota:** Se la distanza tra il timer per irrigatori e le valvole è inferiore a 210 m, utilizzare un filo (AWG) calibro 20 per collegare il timer per irrigatori alle valvole. Se la distanza è superiore a 210 m, utilizzare filo (AWG) calibro 16.

**Importante:** Tutti i fili devono essere collegati insieme utilizzando dadi, saldature e/o nastro di vinile per fili. In ambienti umidi, come per la scatola di valvole, si raccomanda di utilizzare protezioni di grasso Orbit per prevenire la corrosione della connessione e per proteggere da infiltrazioni d'acqua.

**Importante:** Il filo può essere interrato; tuttavia, per una maggiore protezione, i fili possono essere fatti passare attraverso tubo di PVC e interrati. Fare attenzione a non interrare i fili in luoghi dove potrebbero rimanere danneggiati da sfilii o tranciatore in futuro.



## Cablaggio del Timer B-hyve



Foro piccolo - Per l'esecuzione di fili intrecciati da 5 o 7 fili direttamente all'interno della scatola

Aperture knock-out da 13 mm, 20 mm e 25 mm per impianti più grandi con più fasci di fili

Apertura knock-out per installazioni cablate

**Note:** We recommend you consult an electrician for hardwired installations.

1. Spellare (13 mm) la guaina di protezione di plastica sull'estremità di ciascun filo.
2. Allentare le viti sul terminale.
3. Spingere il filo comune all'interno del terminale comune e, utilizzando il cacciavite fornito in dotazione, avvitare la vite all'interno del terminale del filo per fissare il filo.
4. Inserire e serrare i fili restanti alle sedi corrispondenti nel terminale.

**⚠ AVVERTENZA:** Per evitare rischi elettrici, una sola valvola deve essere collegata a ciascun terminale (stazione).

**Importante:** Il carico massimo per ogni stazione/pompa è 250 mA, il carico massimo per il timer è 500 mA.

## Collegamento alla rete elettrica

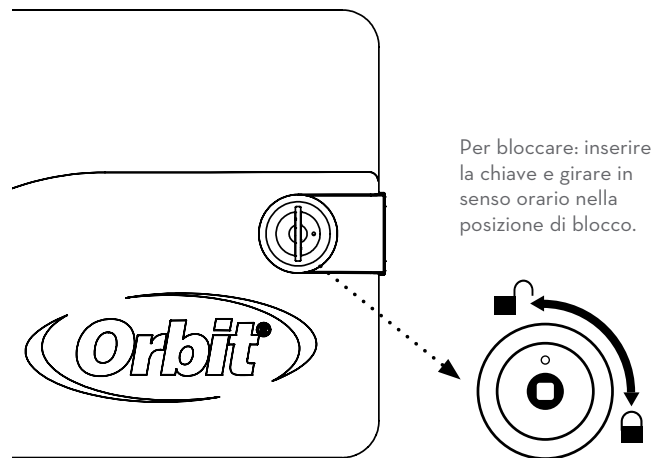
Una volta che il timer B-hyve™ è stato collegato alla rete di alimentazione, il timer cercherà di accoppiarsi automaticamente al vostro dispositivo intelligente. Nell'angolo in alto a sinistra del display del timer, l'icona della rete WiFi con una sequenza graduata inizierà a lampeggiare. Questo indica che il timer è pronto per l'accoppiamento con un dispositivo intelligente. Consultare pagina 7 per i dettagli su come accoppiare il timer.

Se montato in una posizione all'aperto, chiudere lo sportello del vano per mantenere il timer sicuro da danni atmosferici.

**Ambienti interni**—Inserire il cavo di alimentazione in una presa elettrica da 110 V.

**Ambienti all'aperto**—Inserire il cavo di alimentazione nella presa di un interruttore di messa a terra accidentale (GFI) da 110 V.

**Importante:** Si consiglia di consultare un elettricista per installazioni cablate.



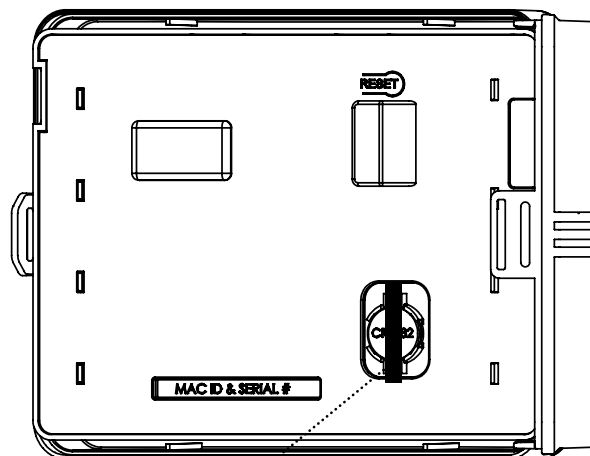
Per bloccare: inserire la chiave e girare in senso orario nella posizione di blocco.

## Attivazione della batteria

- Il Timer include una batteria al litio CR2032.
- La batteria manterrà la vostra data e ora, in caso di perdita di alimentazione CA.
- Si raccomanda la sostituzione annuale al fine di evitare una perdita della programmazione.

*Nota:* La batteria da sola non azionerà le valvole nel vostro impianto di irrigazione. Il timer per irrigatori è dotato di un trasformatore incorporato che deve essere collegato ad una sorgente di tensione alternata (CA).

- ▲ **AVVERTENZA:** Rischio di incendio, esplosione e scosse elettriche. Sostituire la batteria solo con il modello Hitachi Maxell Ltd, tipo CR2032. L'utilizzo di una batteria diversa espone a un potenziale rischio di incendio, esplosione e scosse elettriche.
- ▲ **AVVERTENZA:** Pericolo di ustioni da sostanze chimiche. Tenere le batterie lontano dai bambini.
- ▲ **AVVERTENZA:** Questo prodotto contiene una batteria al litio a bottone. L'ingestione o l'ingresso nell'organismo di una batteria al litio a bottone nuova o usata, può causare gravi ustioni interne e può causare il decesso morte in meno di 2 ore. Proteggere costantemente l'intero vano batteria. Se il vano batteria non si chiude in modo sicuro, interrompere l'utilizzo del prodotto, rimuovere le batterie e tenerle lontane dalla portata dei bambini. Se si ritiene che le batterie potrebbero essere state ingerite o collocate all'interno di qualsiasi parte del corpo, consultare immediatamente un medico.



Rimuovere la protezione di plastica per attivare la batteria

## Sostituzione della batteria

- Per rimuovere la batteria, sollevare il bordo della batteria a bottone. NON utilizzare un cacciavite o altro oggetto metallico.
- Inserire una nuova batteria CR2032 in un angolo e premere la batteria in posizione fino a udire un clic.
- Verificare che il lato positivo (+) sia rivolto verso l'altro.

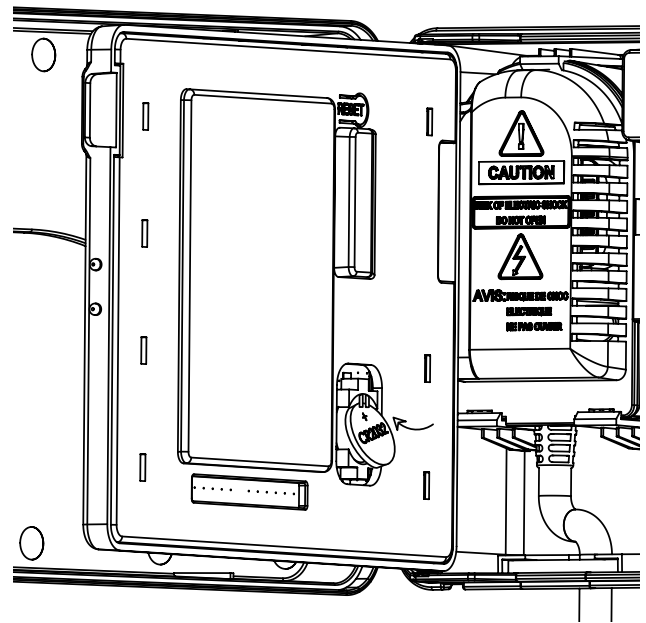
*Nota: Una batteria debole o assente può provocare la cancellazione di data e ora dopo un'interruzione di energia elettrica. In questo caso, è necessario installare una batteria completamente carica.*

**Importante:** In caso di perdita fortuita, per qualsiasi motivo, del proprio programma, il programma di impostazioni di fabbrica preinstallato di autoprotezione attiverà ciascuna stazione ogni giorno per 10 minuti.

**⚠ AVVERTENZA:** Il timer deve essere scollegato dalla rete di alimentazione quando si rimuove la batteria.

**⚠ AVVERTENZA:** PERICOLO DI ESPLOSIONE SE LA BATTERIA NON VIENE CORRETTAMENTE SOSTITUITA. SOSTITUIRE SOLO CON UN TIPO UGUALE O EQUIVALENTE RACCOMANDATO DAL PRODUTTORE. SMALTIRE LE BATTERIE USATE SECONDO LE DISPOSIZIONI DEL PRODUTTORE.

*Nota: La batteria deve essere smaltita correttamente.*



## Programming

### Collegamento alla rete WiFi

La programmazione sul timer può essere eseguita sia se si è connessi oppure no a una rete WiFi. Permette al giardiniere che ha lasciato il proprio telefono all'interno di eseguire un ciclo manuale o di regolare la programmazione in base alle esigenze e di intervenire personalmente a distanza tramite telefono. In caso contrario, la programmazione deve essere completata utilizzando le istruzioni incluse nell'applicazione.

#### 1. Installare l'App B-hyve

Se non è stato già fatto, installare l'App B-hyve e creare un account sul proprio dispositivo intelligente.

#### 2. Inserire le impostazioni WiFi

Il timer B-hyve™ creerà una propria rete che apparirà nel proprio elenco di connessioni WiFi disponibili sul proprio dispositivo intelligente. Connettersi alla rete Orbit Smart Home, quindi, tornare all'App Orbit® B-hyve™.

*Nota: Potrebbe essere necessario eliminare il timer da un dispositivo intelligente. Andare su impostazioni per rimuovere l'autorizzazione al timer, dopodiché si riceverà una richiesta di conferma per rimuovere il timer.*

*Trovare Orbit\_SmartHome\_XXXX nell'elenco di reti WiFi*

Dopo il ritorno all'applicazione, apparirà un elenco delle reti disponibili. Scegliere la rete, quindi, immettere la password per la rete per collegare il timer al segnale della propria rete WiFi. Una volta collegato, l'icona WiFi sul timer smetterà di lampeggiare e mostrerà delle linee fisse.

**Consiglio:** È possibile riaccoppiare il dispositivo intelligente con il timer B-hyve™ ruotando il selettore su "Off" (Disattivato) e premendo il tasto di ripristino sul retro del pannello apribile. Il display del timer visualizza "Pair" (Accoppiamento).

*Nota: Premere la levetta Reset (Ripristino) sul retro del pannello apribile per cancellare ogni precedente programmazione di fabbrica.*

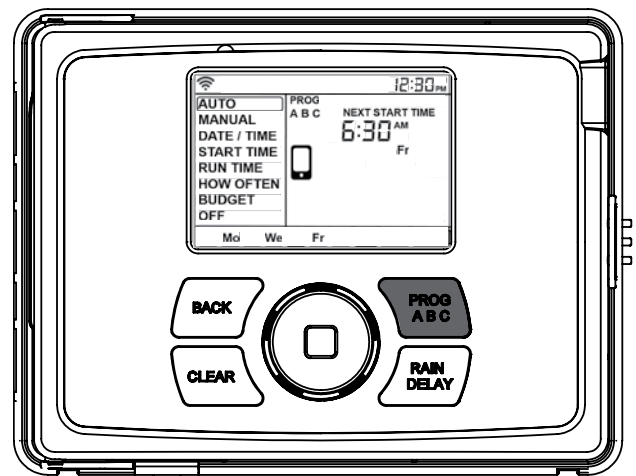


## Pulsante PROGRAM (PROG ABC)

Il vostro timer per irrigatori fornisce la flessibilità di utilizzare 3 programmi indipendenti (A, B, C). Un programma è dove si memorizzano tutte le impostazioni degli irrigatori. Si compone di un gruppo di stazioni impostate su orari di inizio e orari di attivazione specifici. I programmi molteplici consentono di azionare diverse valvole in giorni diversi con differenti orari di attivazione. Mentre molte applicazioni richiedono un solo programma (A), l'utilizzo di più programmi può essere utile per le aree di irrigazione a goccia, i prati appena piantati o le stazioni con irrigatori rotanti. L'utilizzo di programmi in stazioni di gruppo con esigenze idriche simili permetterà di ottimizzare l'efficienza dell'irrigazione.

**Ad esempio:** è possibile impostare che nelle zone di prato sia azionato il programma A, nelle aiuole sia azionato il programma di B e nel giardino sia azionato il programma C. In alternativa, è possibile impostare le zone in cui utilizzare l'irrigazione intelligente; in tal caso, il timer utilizzerà le informazioni meteo locali e le informazioni relative al sito di irrigazione per impostare automaticamente un programma di irrigazione per conto dell'utente.

Il pulsante PROG ABC consente di passare tra i programmi durante l'installazione o di modificare gli orari di avvio, gli orari di funzionamento, la durata di irrigazione e il budget.



1. Premere PROG ABC per attivare o disattivare i programmi che sono stati impostati. La dicitura A, B, C o Smart (Intelligente) si illuminerà per indicare quali programmi sono attivi e che l'irrigazione verrà attivata.
2. Per irrigare solo in modalità intelligente, l'icona del telefono è l'unico programma che deve essere visualizzato sul display.

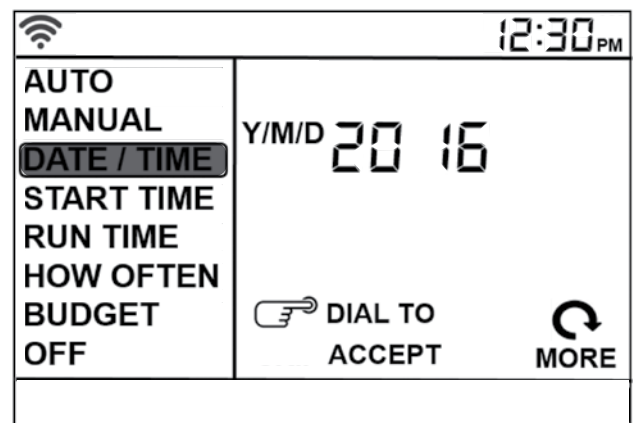
**Nota:** Se sul display non appare la lettera del programma (A, B, C o il telefono), significa che l'irrigazione non avverrà con questo programma. Premere PROG ABC fino a visualizzare il(i) programma(i) con cui si desidera irrigare.

**Nota:** Fare sempre attenzione al programma (A, B o C) attivo nel momento in cui si apportano modifiche.

## Data/Ora

Se si è connessi a una rete WiFi, l'ora e la data verranno automaticamente inviate al timer per irrigatori. Per impostare la data e l'ora manualmente, attenersi alle seguenti istruzioni:

3. Ruotare il selettore fino a quando la casella di selezione è su DATE/TIME (Data/Ora).
4. Premere il selettore. Ora la lettera Y (Anno) inizierà a lampeggiare.
5. Ruotare il selettore fino a visualizzare l'anno in corso.
6. Premere il selettore per confermare l'anno. Ora la lettera M (Mese) inizierà a lampeggiare.
7. Ripetere i passaggi 3 e 4 per inserire il mese e il giorno.
8. Dopo avere confermato il giorno, il campo dell'ora inizierà a lampeggiare.
9. Ruotare il selettore fino a visualizzare l'ora in corso.  
**Nota:** Continuare a ruotare il selettore per passare tra AM (mattina) e PM (pomeriggio). È importante verificare che la selezione tra AM o PM sia impostata correttamente.
10. Premere il selettore per confermare l'ora.
11. Ripetere i passaggi 7 e 8 per i minuti. Ora la data e l'ora sono impostate.





## Ora di inizio

Questo è il momento della giornata in cui l'irrigazione programmata dall'utente ha inizio, la prima zona inizierà ad essere irrigata al 1° orario di avvio. È possibile impostare fino a 4 orari di avvio. Quando un orario di avvio è impostato prima che il programma precedente sia stato completato, tale orario di avvio sarà "aggiunto in sequenza" o ritardato e inizierà al completamento del programma precedente.

**Consiglio:** Impostare un solo orario di avvio per azionare tutte le zone.

1. Ruotare il selettore fino a quando la casella di selezione è su START TIME (Orario di avvio).
2. Premere il selettore. Ora i trattini delle ore (-) inizieranno a lampeggiare.
3. Ruotare il selettore fino a raggiungere l'ora desiderata per l'orario di avvio.

**Nota:** Continuare a ruotare il selettore per passare tra AM (mattina) e PM (pomeriggio).

4. Premere il selettore per confermare l'ora dell'orario di avvio. Ora i trattini dei minuti (-) inizieranno a lampeggiare.
5. Ruotare il selettore fino a raggiungere i minuti desiderati per l'orario di avvio.
6. Premere il selettore per confermare i minuti dell'orario di avvio.

**Nota:** Dopo aver premuto il selettore, il timer avanzerà automaticamente al 2° orario di avvio. Se sono necessari ulteriori orari di avvio, ripetere questa procedura. Ulteriori orari di avvio sono utili per evitare disattivazioni e lasciare al suolo il tempo necessario per assorbire l'acqua.

## Orario di funzionamento

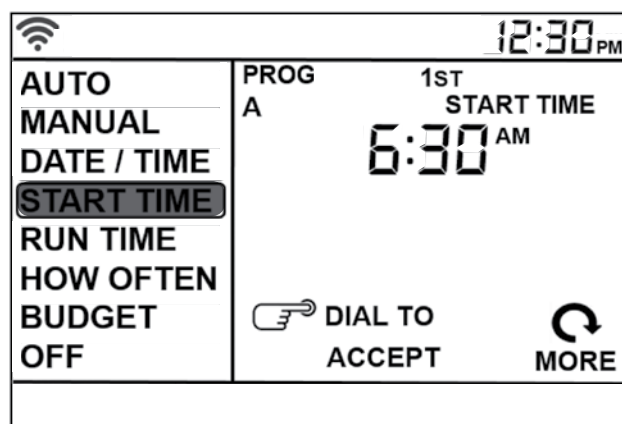
Qui è dove è possibile impostare la durata dell'irrigazione in ogni stazione. La stazione è l'area o la zona che sarà irrigata da ciascuna valvola.

7. Ruotare il selettore fino a quando la casella di selezione è su RUN TIME (Orario di avvio).
8. Premere il selettore. Ora la dicitura STATION (Stazione) inizierà a lampeggiare.
9. Ruotare il selettore fino a raggiungere il numero della zona che si desidera programmare.
10. Premere il selettore per confermare la zona. Ora la dicitura MINS (Minuti) inizierà a lampeggiare.
11. Ruotare il selettore fino a raggiungere la durata desiderata per questa zona.
12. Premere il selettore per confermare l'intervallo di tempo di funzionamento.

**Nota:** Il timer passerà automaticamente alla stazione successiva e la dicitura MINS (Minuti) inizierà a lampeggiare.

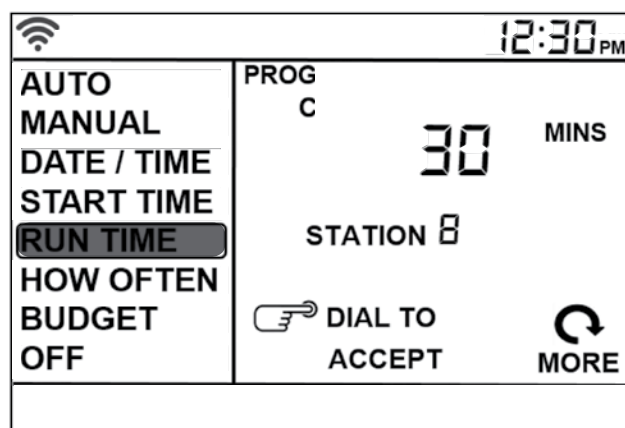
13. Ripetere i passaggi 5 e 6 per ogni zona che si desidera impostare.
- Se si desidera impostare zone in programmi differenti (A, B o C), premere il tasto PROG ABC fino a visualizzare il programma desiderato e ripetere la procedura.

**Nota:** Premere il pulsante BACK (Indietro) per tornare al menu principale LCD.



*Esempio:* Paolo ha appena piantato nuovi semi di erba e vuole irrigare tre volte al giorno. Imposta lo START TIME 1 (1° orario di avvio) alle 05:00 am, lo START TIME 2 (2° orario di avvio) alle 12:00 pm e lo START TIME 3 (3° orario di avvio) alle 05:00 pm. Imposta inoltre HOW OFTEN (Frequenza) su INT (Intervallo) EVERY 1 DAYS (a giorni alternati) (consultare la sezione 3, FREQUENZA). In modalità AUTO (Automatica), l'impianto irriga 3 volte al giorno. Solo una volta il manto erboso di Paolo è definito in modo che possa cancellare (CLEAR) gli orari di avvio 2 e 3 e tornare a irrigare solo una volta al giorno.

- Premere PROG ABC per impostare gli orari di avvio per i programmi aggiuntivi e ripetere i passaggi precedenti.



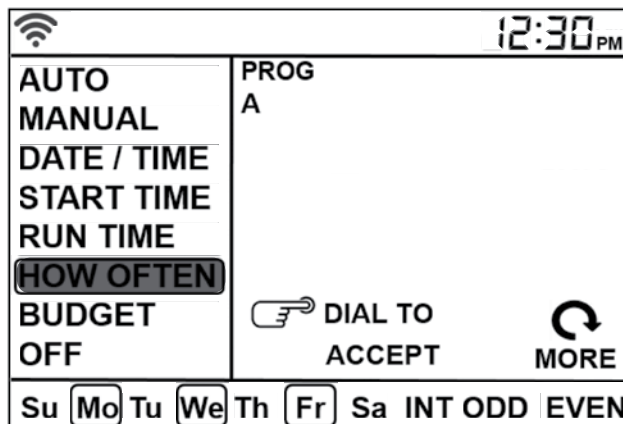
## Frequenza

Sono presenti tre opzioni per determinare la frequenza (quali giorni o intervalli) di irrigazione su cui impostare il timer.

- Giorni della settimana (Mon [Lun], Tue [Mar], Wed [Mer] ecc.)
- Intervalli (Ogni numero "X" di giorni)
- Giorni pari o dispari

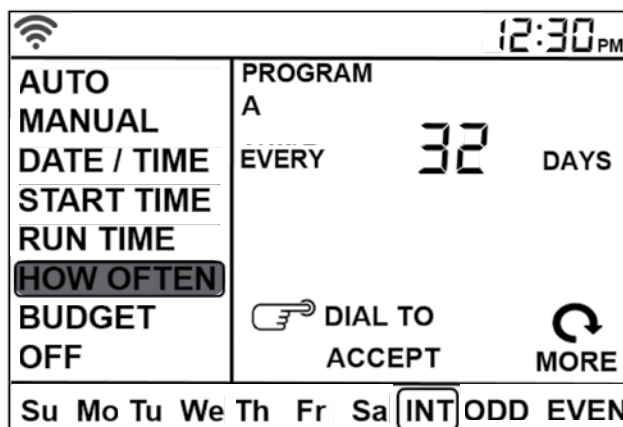
## Giorni della settimana

1. Ruotare il selettore fino a quando la casella di selezione è su HOW OFTEN (Frequenza).
  2. Premere il selettore. Ora la dicitura Su (Domenica) inizierà a lampeggiare.
  3. Ruotare il selettore fino a quando il giorno desiderato della settimana inizierà a lampeggiare.
  4. Premere il selettore per confermare la selezione e per far apparire una cornice attorno al giorno selezionato.
  5. Ripetere questa procedura fino a quando tutti i giorni di irrigazione desiderati saranno contornati da una casella.
  6. Premere il pulsante BACK (Indietro) per tornare al menu principale.
  7. Ruotare il selettore su Auto (Automatica) e premere il selettore per selezionare.  
Il timer è stato programmato!
- Per rimuovere un giorno precedentemente inserito, ruotare il selettore fino al giorno da rimuovere e premere il selettore per deselezionare il giorno.
  - Se si desidera cancellare tutti i giorni di irrigazione, premere il tasto CLEAR (Cancella).



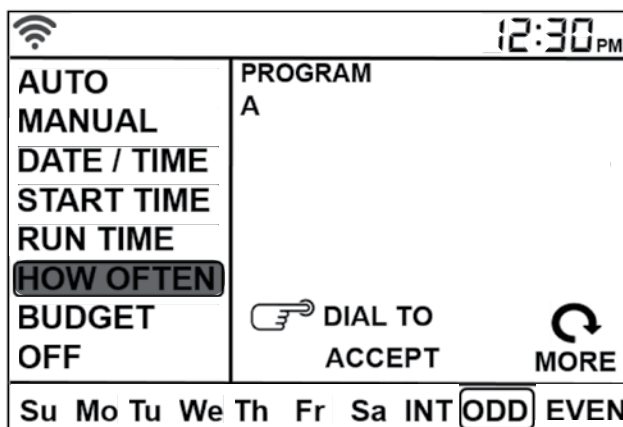
## Intervalli

1. Ruotare il selettore fino a quando la casella di selezione è su HOW OFTEN (Frequenza).
2. Premere il selettore. Ora la dicitura Su (Domenica) inizierà a lampeggiare.
3. Ruotare il selettore su INT (Intervalli).
4. Premere il selettore per confermare. Una cornice viene visualizzata attorno alla dicitura INT (Intervalli) e sul display apparirà la dicitura EVERY 1 DAYS (A giorni alterni). Il numero 1 inizia a lampeggiare e questo sarà l'intervallo predefinito.
5. Ruotare il selettore per aumentare il numero, premere il selettore quando viene raggiunto il numero desiderato di giorni alterni tra le irrigazioni.  
*Esempio: Un intervallo di 1 irrigherà tutti i giorni; un intervallo di 3 irrigherà ogni 3 giorni e così via.*
6. Premere il pulsante BACK (Indietro) per tornare al menu principale.
7. Ruotare il selettore su Auto (Automatica) e premere il selettore per selezionare.  
Il timer è stato programmato!



## Giorni pari o dispari

1. Ruotare il selettore fino a quando la casella di selezione è su HOW OFTEN (Frequenza).
2. Premere il selettore. Ora la dicitura Su (Domenica) inizierà a lampeggiare.
3. Ruotare il selettore su ODD (Dispari) o EVEN (Pari). Premere il selettore per confermare. Una cornice sarà visualizzata attorno alla dicitura ODD (Dispari) o EVEN (Pari).  
*Esempio: Odd (Dispari): 1st (1°), 3rd (3°), 5th (5°) ecc.*  
*Esempio: Even (Pari): 2nd (2°), 4th (4°), 6th (6°) ecc.*
4. Premere il pulsante BACK (Indietro) per tornare al menu principale.
5. Ruotare il selettore su Auto (Automatica) e premere il selettore per selezionare.  
Il timer è stato programmato!



## Automatico

Il timer deve essere in modalità AUTO (Automatica) durante la stagione irrigua e su OFF (Disattivato) nei mesi invernali o nei mesi di non irrigazione.

Portare il selettore in posizione AUTO (Automatica) e premere il selettore o semplicemente lasciarlo in tale posizione per mantenere la modalità AUTO (Automatica).

Se che una selezione sul quadrante viene lasciata in una posizione diversa da OFF (Disattivata), verrà ripristinata alla modalità AUTO (Automatica) dopo circa 20 secondi.

Per disattivare il timer (OFF), ruotare il selettore su OFF (Disattivato) e premere il selettore o semplicemente lasciarlo in posizione OFF (Disattivato).

**Consiglio:** È possibile modificare tale impostazione su OFF (Disattivato) o AUTO (Automatico) nell'APP.

## Funzioni Aggiuntive

### Ritardo per pioggia

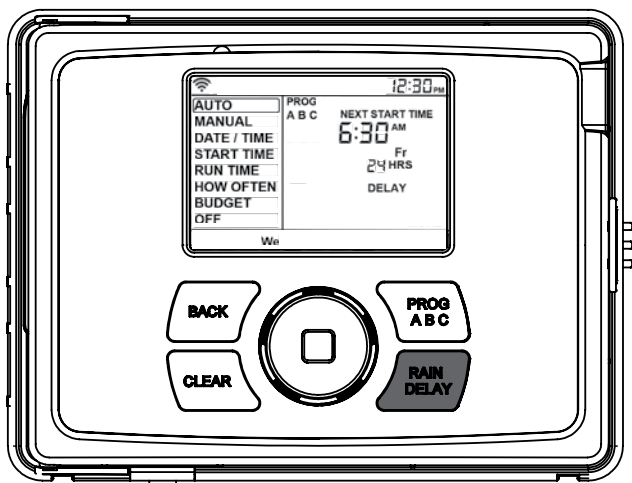
Il pulsante Rain Delay (Ritardo per pioggia) può essere utilizzato per impostare il vostro timer per irrigatori in modo che l'irrigazione sia ritardata per un intervallo di tempo compreso tra 1 e 32 giorni. Al termine dell'intervallo di tempo selezionato per il rinvio per pioggia, l'irrigazione automatica viene riattivata.

1. Assicurarsi che il timer sia impostato su AUTO (Automatica).
2. Premere il pulsante Rain Delay (Ritardo per pioggia) per ritardare l'irrigazione automatica di 24 ore.

**Nota:** Se si desidera un ritardo per pioggia prolungato, premere il pulsante Rain Delay (Ritardo per pioggia) ripetutamente o ruotare il selettore fino a raggiungere il numero di giorni di ritardo desiderato.

- In modalità Rain Delay (Ritardo per pioggia), il timer visualizzerà il numero restante di giorni o di ore del ritardo per pioggia.
- Per attivare o disattivare i terminali del sensore di pioggia, tenere premuto il pulsante RAIN DELAY (Ritardo per pioggia) per 5 secondi.
- To activate or deactivate the rain sensor terminals, press and hold the RAIN DELAY button for 5 seconds.

**Nota:** Questa funzione è utile per aggirare il sensore se è necessario procedere all'irrigazione prima che il sensore si asciughi consentendo così all'irrigazione di riattivarsi.



## Budget

La funzione di Budget di irrigazione facilita la modifica di tutti gli orari di funzionamento, senza dover modificarli uno alla volta. Questa funzione è ideale per regolare tutte le zone per le modifiche stagionali.

La regolazione è compresa tra il 10-200% con incrementi del 10%. Il valore predefinito è 100%, ciò significa che il timer attiverà ogni zona esattamente per il numero di minuti inserito come orario di funzionamento. Il budget rimarrà nell'intervallo impostato fino alla modifica successiva.

1. Ruotare il selettore fino a quando la casella di selezione è su Budget.

2. Premere il selettore. Ora i numeri inizieranno a lampeggiare.

Nota: 100 è il numero predefinito.

3. Per regolare, ruotare la manopola per la percentuale di budget desiderato. La regolazione del budget regolerà tutti gli orari di funzionamento di un programma in base alla percentuale prescelta.

**Esempio:** Se si dispone di zone impostate per essere irrigate per 10 minuti e si regola il budget dal 100% al 150%, quelle stesse zone saranno irrigate per 15 minuti, senza dover modificare ogni volta gli orari di funzionamento.

4. Premere il selettore per confermare la propria selezione.

Se si desidera impostare programmi aggiuntivi (A, B o C), premere il tasto PROG ABC fino a visualizzare il programma desiderato e ripetere questa procedura.

## Manuale

Il timer ha la capacità di consentire un'irrigazione manuale senza disturbare il programma preimpostato. La funzione Manual (Manuale) viene utilizzata per testare delle zone o per attivare un ciclo di irrigazione supplementare per una zona o per tutte le zone.

Per irrigare tutte le zone

1. Ruotare il selettore fino a quando la casella di selezione è su MANUAL (Manuale).

2. Premere il selettore. Ora sul display apparirà la dicitura ALL (Tutti).

3. Premere di nuovo il selettore. Ora il numero 0 inizierà a lampeggiare.

4. Ruotare il selettore fino a raggiungere la durata manuale desiderata.

5. Premere il selettore per iniziare l'irrigazione.

**Nota:** Se l'orario di funzionamento manuale non è stato impostato, il timer non avvierà l'irrigazione manuale e la schermata tornerà all'orario di funzionamento corrente.

Per irrigare utilizzando uno o più programmi specifici tra A, B o C

1. Ruotare il selettore fino a quando la casella di selezione è su MANUAL (Manuale).

2. Premere il selettore. Ora sul display apparirà la dicitura ALL (Tutti).

3. Ruotare il selettore fino a mostrare il(i) programma(i) che si desidera irrigare (tutti ABC, oppure A, B o C singolarmente).

4. Premere il selettore per iniziare il programma di irrigazione selezionato.

Per irrigare una specifica zona

1. Ruotare il selettore fino a quando la casella di selezione è su MANUAL (Manuale).
2. Premere il selettore. Ora sul display apparirà la dicitura ALL (Tutti).
3. Ruotare il selettore oltre i programmi A, B, C fino a STATION 1 (Stazione 1). Premere il selettore. Ora sul display appariranno le diciture O e MINS (Minuti).
4. Ruotare il selettore fino a fare apparire sul display la stazione che si desidera attivare.
5. Premere il selettore. Lo O lampeggerà una sola volta.
6. Ruotare il selettore fino a quando sul display appare il numero di minuti di funzionamento della stazione desiderato.
7. Premere il selettore per iniziare il programma di irrigazione specificato.

**Esempio:** Per irrigare manualmente la zona 3 per cinque minuti, portare il selettore su [MANUAL], quindi premere il selettore. Ruotare il selettore fino a vedere la stazione 6 o 12, premere il selettore e ruotare fino a vedere la stazione 3, quindi premere di nuovo il selettore. Ruotare il selettore fino a far apparire sul display cinque minuti, quindi premere il selettore.

**Nota:** Mentre la stazione manuale programmata è in esecuzione, è possibile programmare più di una zona specifica utilizzando questa procedura. Ripetere le fasi di selezione della zona e la durata per l'irrigazione di ulteriori zone.

Per interrompere l'irrigazione manuale, premere CLEAR (Cancella)

## Sensore di pioggia

Collegare i fili del sensore di pioggia alle prese del terminale di cablaggio etichettato come "Sensor" (Sensore).

**Nota:** Fare riferimento al manuale del sensore di pioggia per le istruzioni di cablaggio specifiche.

Sensore di pioggia

Questo timer per irrigatori è dotato di un meccanismo di correzione dell'impostazione automatica "on/off" (Attiva/Disattiva) del sensore. Questa funzione è destinata all'utilizzo durante gli interventi di manutenzione e riparazione, pertanto, il timer per irrigatori può essere azionato anche se il sensore di pioggia è in modalità attiva. Per correggere l'impostazione automatica del sensore, tenere premuto il pulsante Rain Delay (Ritardo per pioggia) per 5 secondi.

Il display visualizzerà SENS e OFF o SENS e ON.

**Importante:** Se il sensore pioggia è "on" (Attivo) e nessun sensore è collegato, il timer per irrigatori non funzionerà. Per riprendere il funzionamento del timer per irrigatori, tenere premuto il pulsante Rain Delay (Ritardo per pioggia) per 5 secondi o ricollegare il ponticello ai terminali del sensore.

## Avvio pompa e valvola principale

Questo timer per irrigatori consente di azionare una valvola principale o un relè di avvio pompa al fine di funzionare ogniqualvolta una zona è attiva.

**Nota:** Se si sta attivando una pompa da questo timer, è necessario acquistare un Pump Start Relay (Relè di avvio pompa). Dal relè di avvio della pompa (o una valvola principale), collegare un filo al terminale "Pump" (Pompa) e l'altro filo al terminale "Common" (Comune).

## Definizioni de termini

### ORARIO DI AVVIO

L'orario in cui il programma inizia l'irrigazione della stazione precedentemente programmata.

### VALVOLA

Fornisce acqua a una stazione o un'area specifica. L'apertura e la chiusura della valvola vengono eseguite mediante corrente elettrica fornita dal timer per irrigatori.

### VALVOLA PRINCIPALE

In genere si trova presso la fonte d'acqua principale. Attiva o disattiva l'acqua all'intero impianto di irrigazione quando non in uso.

### PIÙ ORARI DI AVVIO

Una funzione di controllo che consente a un programma di essere utilizzato più volte nello stesso giorno di irrigazione.

### SOVRAPPOSIZIONE DI PROGRAMMI

Quando si imposta uno "Start Time" (Orario di avvio) per un programma a un orario antecedente al completamento del programma precedente.

### PROGRAMMA (A, B O C)

I singoli programmi come stabiliti dall'utente. Ogni programma funziona in modo indipendente. Se un programma si sovrappone ad un altro, i programmi saranno "aggiunti in sequenza". Il programma successivo inizierà una volta completato il programma precedente.

### RITARDO PER PIOGGIA

Una funzione che rimanda l'attivazione di un programma di irrigazione prevista per una durata specifica.

### SOLENOIDE

La parte elettrica su una valvola di irrigazione che apre e chiude la valvola.

### TIMER PER IRRIGATORI

Un dispositivo che istruisce le valvole della stazione su come funzionare.

### STAZIONE

Un gruppo di irrigatori gestito da una singola valvola controllata dal timer.

### BUDGET DI IRRIGAZIONE

Regola il programma di irrigazione complessiva come percentuale della durata totale dell'irrigazione.

## Risoluzione dei problemi

Problema	Possibile causa
Uno o più valvole non si attivano	1. Collegamento del solenoide difettoso
	2. Filo danneggiato o troncato
	3. Controllo di flusso svitato, con conseguente brusca chiusura della valvola
	4. Programmazione errata
Le stazioni si attivano quando non dovrebbero	1. La pressione dell'acqua è troppo alta
	2. È stato programmato più di un orario di avvio
	3. La selezione tra AM/PM non è corretta
Una stazione è rimasta bloccata e non si arresta	1. Valvola difettosa
	2. Particelle di sporco o detriti bloccati nella valvola
	3. Valvola a membrana difettosa
Tutte le valvole non si attivano	1. Trasformatore difettoso o non collegato
	2. Programmazione errata
Il timer non si attiva	1. Trasformatore non collegato a una presa funzionante
Le valvole continuano ad attivarsi e disattivarsi quando non sono programmate	1. È stato programmato più di un orario di avvio con sovrapposizioni di orario
	2. Pressione eccessiva
Il display indica guasti e lampeggia un numero di zona	1. Cortocircuito nel filo
	2. Cortocircuito nel solenoide



# Specifiche

Tensione nominale in ingresso:

Australia—240 V CA 50/60 Hz 0,15 A

Europa—230 V CA 50/60 Hz 0,15 A

Stati Uniti—120 V CA 60 Hz 0,15 A

Carico massimo:

AUS ed UE - 24 V CA 1 Amp 50/60 Ciclo

Stati Uniti—24 V CA 750 mA 60 Hz

Intervallo di temperatura di funzionamento:

Operativa: 0-75 °C

Immagazzinaggio e trasporto: 0-80 °C

Intervallo di umidità di funzionamento:

Operativa: 0-80 %

Immagazzinaggio e trasporto: 0-90%

Altitudine: 2.000 metri

Valutazione IPX5

Classe di installazione II

categoria di sovratensione II

**⚠AVVERTENZA: La batteria deve essere rimossa dal timer prima che viene scartato.**

## Aiuto

Se l'applicazione e il sito web non contengono ciò che si sta cercando, si prega di rivolgersi al nostro centro di assistenza telefonica prima di restituire questo timer per irrigatori al negozio.

1-800-488-6156 o 1-801-299-5555

www.orbitonline.com | bhyve.orbitonline.com

## Classificazione

Il timer per irrigatori è collaudato secondo la normativa UL50 ed è classificato come ETL®.

Disconnessione: Tipo 1Y

Situazione di normale inquinamento.

Il cavo di alimentazione di questo dispositivo di controllo può essere sostituito solo dal fabbricante o dal suo agente di servizio accreditato.

**Nota:** Questa apparecchiatura è stata testata ed è risultata conforme ai limiti previsti per i dispositivi digitali di Classe B, ai sensi della Parte 15 delle norme FCC. Questi limiti sono progettati per fornire una ragionevole protezione contro le interferenze dannose in un impianto residenziale. Questa apparecchiatura genera, utilizza e può irradiare energia di frequenza radio e, se non installata e utilizzata secondo le istruzioni, può causare interferenze dannose alla ricezione di comunicazioni radio. Tuttavia, non v'è alcuna garanzia che tali interferenze non si verifichino in una particolare installazione. Se questa apparecchiatura causa interferenze dannose alla ricezione radio o televisiva, che può essere determinata spegnendo e accendendo l'apparecchiatura, l'utente è invitato a cercare di correggere le interferenze adottando una o più delle seguenti misure:

- Riorientare o riposizionare l'antenna di ricezione.
- Aumentare la distanza tra l'apparecchiatura e il ricevitore.
- Collegare l'apparecchiatura a una presa su un circuito diverso da quello a cui è collegato il ricevitore.
- Consultare il rivenditore o un tecnico di apparecchiature trasmettenti radiotelevisive per chiedere aiuto.

**Attenzione:** Questa apparecchiatura non è destinata all'utilizzo da parte di bambini o persone inferme senza supervisione. I bambini devono essere supervisionati per assicurarsi che non giochino con l'apparecchiatura.

INFORMAZIONI IMPORTANTI SUI DIRITTI E DOVERI, COSÌ COME LE LIMITAZIONI ED ESCLUSIONI CHE POSSONO APPLICARSI ALL'UTENTE.

### 1. DIRITTI DELL'UTENTE E LA PRESENTE GARANZIA LIMITATA

La presente Garanzia Limitata concede diritti legali specifici. L'utente può altresì beneficiare di altri diritti legali che variano da stato, provincia o giurisdizione. Le declinazioni di responsabilità, le esclusioni e le limitazioni di responsabilità ai sensi della presente Garanzia Limitata non si applicheranno nella misura vietata dalla legge vigente. Per una descrizione completa dei diritti legali spettanti all'utente, fare riferimento alle leggi in vigore nella propria giurisdizione e, qualora lo si desidera, contattare un servizio di consulenza per consumatori rilevante.

### 2. COPERTURA E PERIODO DI COPERTURA DELLA PRESENTE GARANZIA LIMITATA

Orbit Irrigation Products, Inc. ("Orbit") garantisce al proprietario del prodotto contenuto nella presente confezione ("Prodotto"), che il Prodotto è esente da difetti di materiale e di fabbricazione per un periodo di due (2) anni dalla data di consegna successiva all'acquisto del prodotto originale (il "Periodo di Garanzia"). Se il Prodotto non è conforme alla presente Garanzia Limitata durante il Periodo di Garanzia, Orbit, a propria esclusiva discrezione, (a) riparerà o sostituirà qualsiasi Prodotto o componente difettoso; o (b) accetterà la restituzione del Prodotto e rimborserà il denaro effettivamente pagato dall'acquirente originale per il Prodotto. La riparazione o la sostituzione può essere effettuata con un prodotto o componenti nuovi o ricondizionati, ad esclusiva discrezione di Orbit.

Se il Prodotto o un componente integrato all'interno di esso non è più disponibile, Orbit può sostituire il Prodotto con un prodotto simile di funzione simile, a esclusiva discrezione di Orbit. Questo è l'unico ed esclusivo rimedio per violazione della presente Garanzia Limitata. Qualsiasi Prodotto che sia stato riparato o sostituito ai sensi della presente Garanzia Limitata sarà vincolato dai termini della presente Garanzia Limitata per non oltre trenta (30) giorni dalla data di consegna o del restante Periodo di Garanzia. La presente Garanzia Limitata è trasferibile da parte dell'acquirente originale ai proprietari successivi, tuttavia, il Periodo di Garanzia non potrà essere esteso in termini di durata o espanso in termini di copertura a seguito di suddetto trasferimento.

### 3. CONDIZIONI DI GARANZIA; COME RICEVERE ASSISTENZA NEL CASO IN CUI L'UTENTE DESIDERA AVVALERSI DELLA PRESENTE GARANZIA LIMITATA

Prima di essere in grado di avvalersi della presente Garanzia Limitata, il proprietario del Prodotto deve notificare a Orbit la propria intenzione visitando il sito [www.orbitonline.com](http://www.orbitonline.com)/contatti nel corso del Periodo di Garanzia e fornire una descrizione del presunto inadempimento, nonché attenersi alle istruzioni per la spedizione dei resi a Orbit. Orbit non avrà alcun obbligo di garanzia nei confronti del Prodotto restituito qualora determini, a propria ragionevole discrezione dopo attento esame del Prodotto restituito, che il Prodotto sia un prodotto non ammissibile (come di seguito definito). Orbit coprirà tutti i costi di spedizione del reso sostenuti dal proprietario e rimborserà le spese di spedizione sostenute dal proprietario, salvo per quanto riguarda qualsiasi prodotto non ammissibile, per il quale il proprietario sia in grado di coprire tutti i costi di spedizione.

### 4. ESCLUSIONI DALLA PRESENTE GARANZIA LIMITATA

È escluso dalla copertura della presente Garanzia quanto segue (collettivamente "Prodotti non ammissibili"): Prodotti indicati come "campione" o venduto "così com'è"; o prodotti che sono stati soggetti a: (a) modifiche, alterazioni, manomissioni o manutenzioni improprie o riparazioni; (b) manipolazione, immagazzinamento, installazione, collaudo o utilizzo non conforme alle istruzioni fornite da Orbit; (c) abuso o uso improprio del Prodotto; (d) guasti, fluttuazioni o interruzioni dell'erogazione di acqua, energia elettrica o della rete di telecomunicazioni; o (e) eventi di forza maggiore, tra cui fulmini, inondazioni, tornado, terremoti o uragani. Sono esclusi dalla presente Garanzia i materiali di consumo, comprese le batterie, a meno che il danno sia dovuto a difetti nei materiali o nella lavorazione del Prodotto o del software (anche se imballato o venduto con il Prodotto). Orbit consiglia di utilizzare solo i servizi offerti da fornitori autorizzati per la manutenzione o la riparazione. L'utilizzo non autorizzato del Prodotto o del software può mettere a repentaglio le prestazioni del Prodotto e può invalidare la presente Garanzia Limitata.

Salvo i casi in cui sia esplicitamente promessa una "garanzia", Orbit non garantisce né promette alcun livello specifico di risparmio idrico, salute del giardino e del prato o altro vantaggio dall'utilizzo di un Prodotto o di qualsiasi funzione di esso. Il risparmio effettivo di acqua, la salute del giardino e del prato e altri vantaggi variano in base a fattori indipendenti dal controllo o dalla conoscenza di Orbit.

**5. ESCLUSIONE DI GARANZIE AD ECCEZIONE DI QUANTO INDICATO SOPRA IN QUESTA GARANZIA LIMITATA, E NELLA MISURA IN CUI CIO SIA PERMESSO DALLA LEGGE APPLICABILE, ORBIT DECLINA OGNI GARANZIA E CONDIZIONE ESPRESSA, IMPLICITA E DI LEGGE RISPETTO AL PRODOTTO, INCLUSE LE GARANZIE DI COMMERCIALIZZABILITÀ E DI IDONEITÀ PER UN PARTICOLARE SCOPO. NELLA MISURA MASSIMA CONSENTITA DALLA LEGGE APPLICABILE, ORBIT LIMITA INOLTRE LA DURATA DI TUTTE LE GARANZIE E LE CONDIZIONI IMPLICITE ALLA DURATA DELLA PRESENTE GARANZIA LIMITATA.**

**6. LIMITAZIONE DEI DANNI OLTRE ALLE ESCLUSIONI DI GARANZIA DI CUI SOPRA, IN NESSUN CASO ORBIT POTRÀ ESSERE RITENUTA RESPONSABILI PER DANNI CONSEGUENTI, ACCIDENTALI, ESEMPLARI O SPECIALI, IVI COMPRESI I DANNI PER LA PERDITA DI DATI O PROFITTI, DERIVANTI DA O RELATIVI A QUESTA GARANZIA LIMITATA O AL PRODOTTO, E LA RESPONSABILITÀ CUMULATIVA DI ORBIT DERIVANTE DA O RELATIVA ALLA PRESENTE GARANZIA LIMITATA O IL PRODOTTO NON POTRÀ SUPERARE L'IMPORTO EFFETTIVAMENTE PAGATO PER IL PRODOTTO DALL'ACQUIRENTE ORIGINALE.**

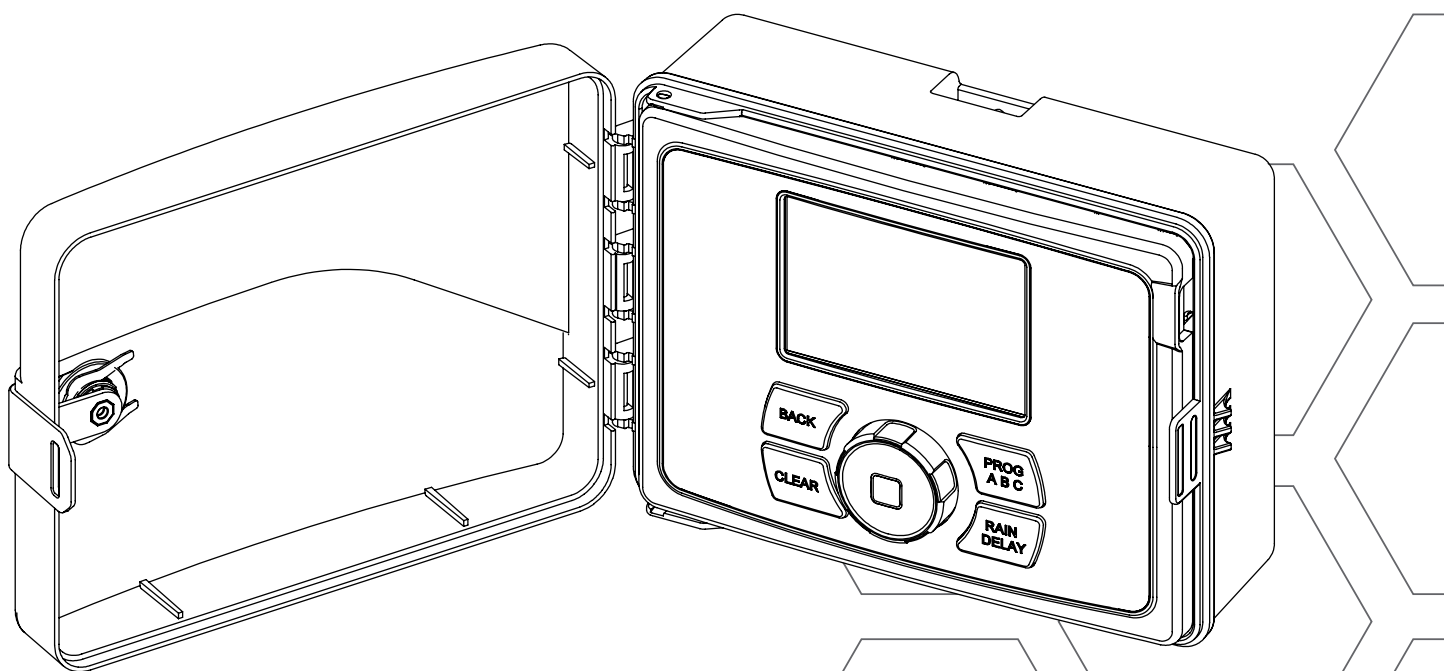
**7. LIMITAZIONE DEI DANNI L'UTENTE AVRÀ LA POSSIBILITÀ DI UTILIZZARE DETERMINATI SERVIZI DI ORBIT ("SERVIZI") CON I PRODOTTI DELL'UTENTE. L'UTILIZZO DI QUEI SERVIZI SONO SOGGETTI A TERMINI DI SERVIZI SEPARATI.**

**8. VARIAZIONI EVENTUALMENTE APPLICABILI ALLA PRESENTE GARANZIA LIMITATA** Alcune giurisdizioni non ammettono limitazioni sulla durata o sulle esclusioni/limitazioni implicite in una garanzia verso danni incidentali o conseguenti, pertanto, alcune delle limitazioni di cui sopra potrebbero non essere applicabili all'utente.

Witamy w

**b•hyve™**

INTELIGENTNY STEROWNIK  
CZASOWY ZRASZANIA Z  
ŁĄCZNOŚCIĄ WI-FI



Podręcznik  
użytkownika



# Witamy w B-hyve™

Natura wspaniale dba o rośliny i zawsze subtelnie pracuje wraz z Tobą, by odpowiednio zatroszczyć się o Twój ogród. Pszczoły stanowią doskonały przykład niezwykłych, choć niewidocznych starań, które pomagają Twoim roślinom pięknie rosnąć. Pszczeli ul to centralny punkt komunikacyjny, z którego te starania są koordynowane. Choć natura radzi sobie świetnie, czasami trzeba jej odrobinę pomóc. Tu właśnie zaczyna się nasza rola. Podłączając swój inteligentny sterownik czasowy zraszania B-hyve z łącznością WI-FI do swojej sieci, podłączasz się do samej natury. Dzięki lokalnym informacjom pogodowym i innym danym dotyczącym Twojego ogrodu możesz nawadniać swoje rośliny w odpowiedni sposób, oszczędzając wodę i pieniądze. Dziękujemy za połączenie i witamy w B-hyve!

Pamiętaj: sterownik czasowy może być konfigurowany za pomocą aplikacji. Jednakże jeśli nie masz sieci Wi-Fi lub chcesz wprowadzić korektę, będąc na dworze, możesz tego dokonać na sterowniku czasowym. Zmiany wprowadzone na sterowniku czasowym będą widoczne w aplikacji, natomiast zmiany wprowadzone w aplikacji będą widoczne na sterowniku czasowym.

Dodatkowo aplikacja zapewnia dostęp do ilustracji i filmów, które pomogą odpowiedzieć na pytania dotyczące łączności z siecią Wi-Fi, programowania, inteligentnego nawadniania oraz innych zagadnień ogólnych.

Jeżeli nie znajdziesz potrzebnych informacji w aplikacji lub witrynie internetowej, skontaktuj się z działem pomocy technicznej.

## Pomoc

info@orbiteurope.com  
www.orbitonline.com  
bhyve.orbitonline.com

W CELU UZYSKANIA  
OPTIMALNEJ WYDAJNOŚCI  
NALEŻY PODŁĄCZYĆ SIĘ Z SIECIĄ  
WIFI W CELU OTRZYMYWANIA  
BIEŻĄCYCH AKTUALIZACJI  
STEROWNIKA CZASOWEGO.

## Spis treści

Części	
Sterownik czasowy zraszania.....	2
Elementy sterujące sterownika zraszania.....	2
Wyświetlacz.....	3
Aplikacja B-hyve .....	3
Instalacja	
Wybór lokalizacji .....	4
Montaż sterownika czasowego.....	4
Podłączanie zaworów zraszaczy .....	5
Podłączanie sterownika czasowego B-hyve .....	5
Podłączanie zasilania .....	6
Activating Bateria .....	6
Replacing the Bateria .....	7
Programowanie	
Podłączanie do sieci Wi-Fi .....	7
Przycisk PROG ABC.....	8
Data/czas .....	8
Czas uruchomienia.....	9
Czas działania.....	9
Częstotliwość .....	10
Auto.....	11
Dodatkowe funkcje	
Opóźnienie deszczowe.....	11
Budżet .....	11
Sterowanie ręczne.....	11
Czujnik deszczu .....	12
Uruchomienie pompy .....	12
Definicje .....	12
Rozwiązywanie problemów.....	13
Dane techniczne .....	14

## Części Sterownik czasowy zraszania

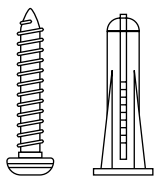
Obudowa odporna na warunki atmosferyczne

Blokada i zatrzask

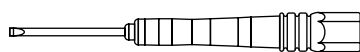
Wyświetlacz cyfrowy

Pokrętko

Panel ruchomy Panel



Sprzęt instalacyjny

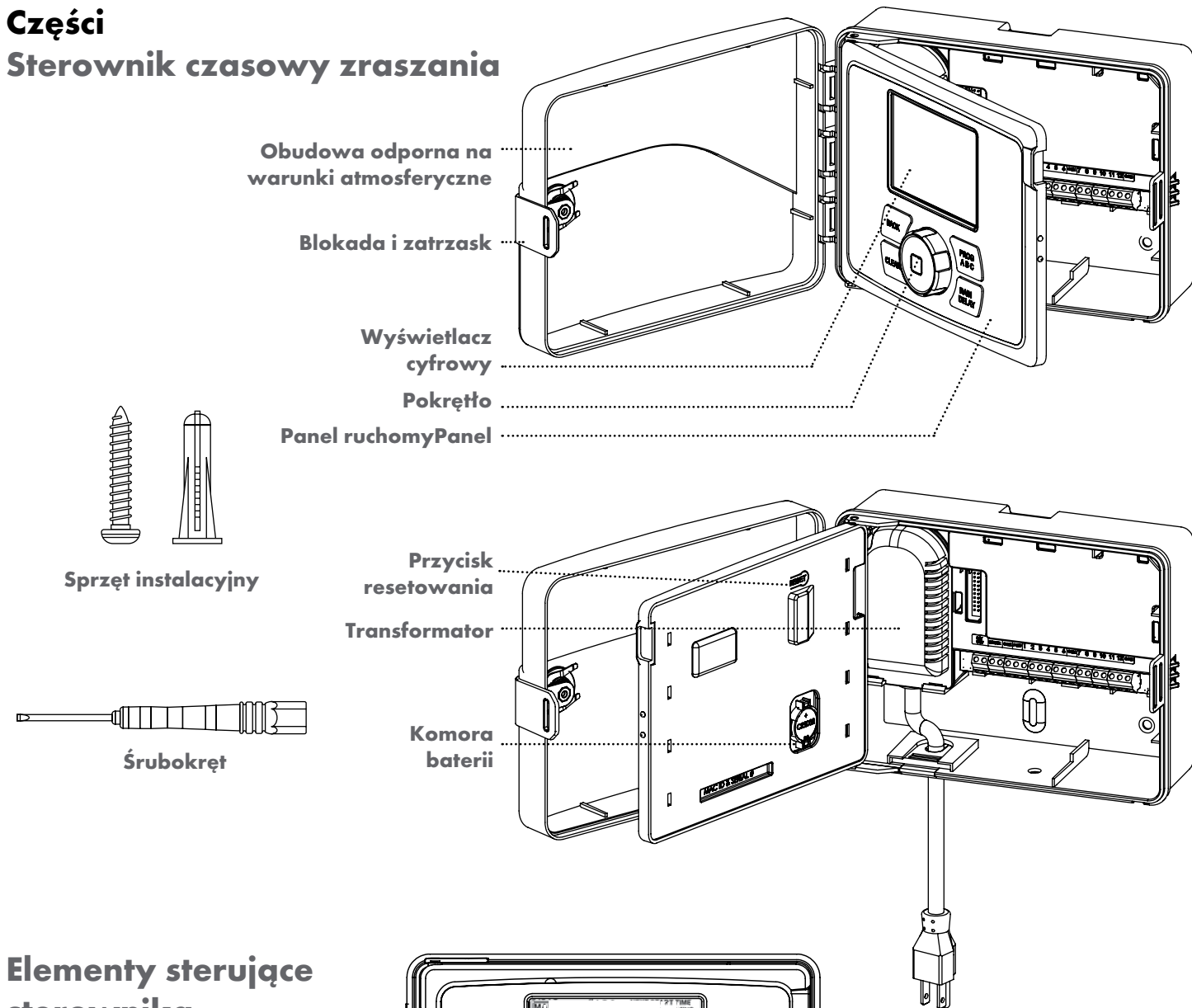


Śrubokręt

Przycisk resetowania

Transformator

Komora baterii



## Elementy sterujące sterownika czasowego

### BACK (WSTECZ):

Pozwala cofnąć się o krok lub powrócić do głównego menu

*Uwaga:* Przycisk WSTECZ (BACK) można nacisnąć dwukrotnie, aby powrócić w tryb auto

### WYCZYŚĆ (CLEAR):

Pozwala wyczyścić ustawienia

*Uwaga:* Przycisk WYCZYŚĆ (CLEAR) może być również używany do anulowania opóźnienia deszczowego, działającego programu lub cyklu nawadniania ręcznego.

### POKRĘTKO:

Pozwala przesuwac w górę lub w dół i w lewo lub w prawo oraz potwierdzać wybór przez naciśnięcie

*Uwaga:* W przypadku pozostawienia wyboru pokrętki w innej pozycji niż WYŁ (OFF) w ciągu około 20 sekund nastąpi powrót do opcji AUTO.

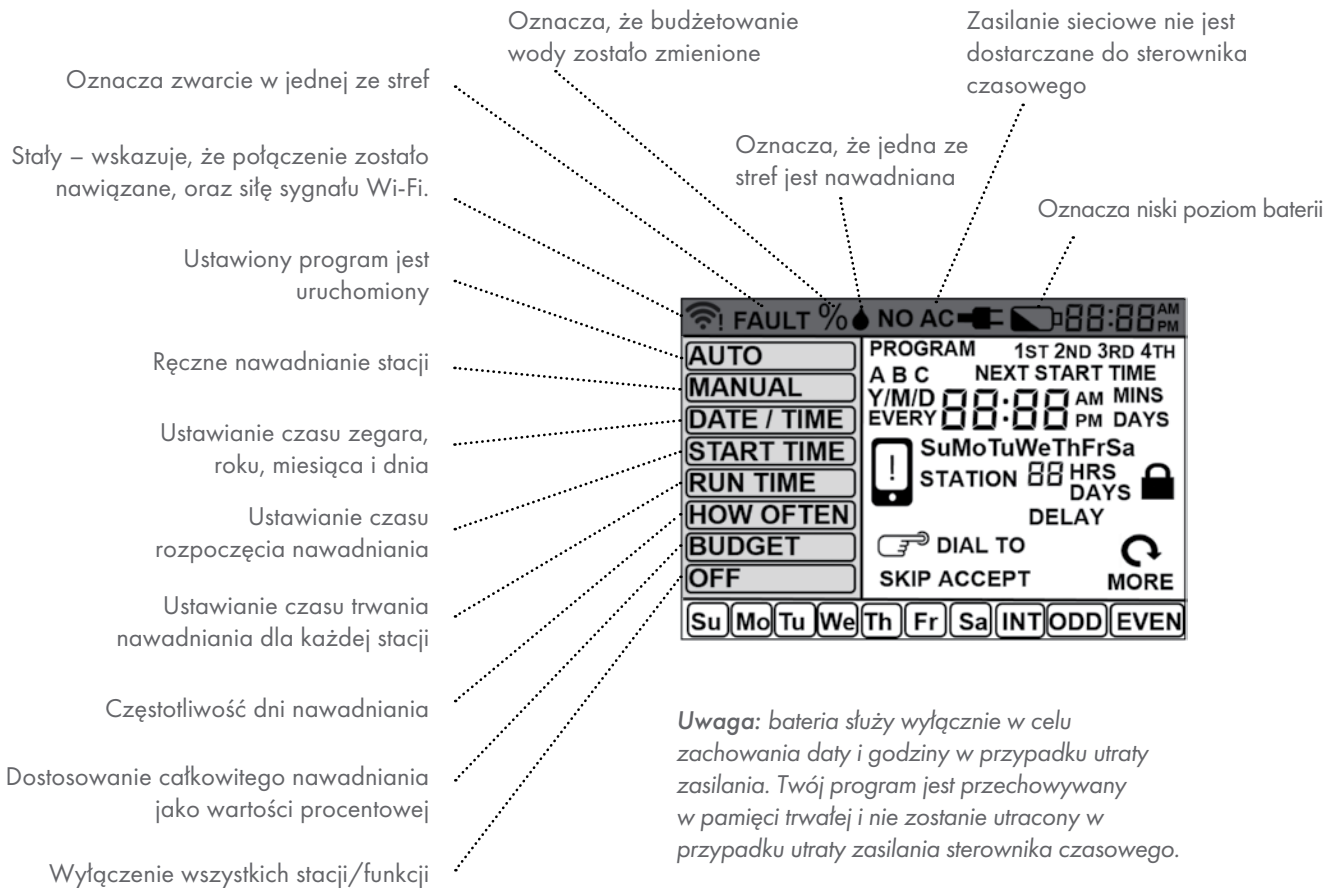
### PROGRAM ABC (PROG ABC):

Pozwala przejść do innego programu Szczegółowe informacje zostały podane na stronie 8

### OPÓŹNIENIE DESZCZOWE (RAIN DELAY):

Pozwala wstrzymać działanie z powodu deszczu lub innych czynników. Patrz strona 11

# Wyświetlacz cyfrowy



# Aplikacja B-hyve

Po zainstalowaniu sterownika czasowego należy zainstalować aplikację B-hyve™ i utworzyć konto na urządzeniu inteligentnym. Instrukcje instalacji zostały podane na stronie XX.

*Uwaga: Aplikacja zapewnia dostęp do kreatora, który poprowadzi Cię przez proces początkowej konfiguracji sterownika czasowego zraszania. Oprócz tego w aplikacji umieszczono ikony pomocy, dzięki którym można uzyskać więcej informacji oraz przydatne podpowiedzi.*



# Instalacja

## Wybór lokalizacji

Podczas wyboru lokalizacji sterownika czasowego należy wziąć pod uwagę następujące czynniki:

- Miejsce powinno znajdować się w pobliżu gniazdka elektrycznego.
- Urządzenie powinno odbierać silny sygnał Wi-Fi.

**Wskazówka:** Możesz to sprawdzić za pomocą smartfona. (Należy wyszukać miejsce, w którym wyświetlają się co najmniej dwie kreski)

- Temperatura pracy powinna mieścić się w zakresie od 0 do 70°C (32-158°F).
- Urządzenie należy trzymać z dala od bezpośredniego światła słonecznego.
- Należy upewnić się, że z lewej strony skrzynki sterownika czasowego jest co najmniej 23 cm (9") wolnego miejsca, aby umożliwić otwarcie drzwiczek po zainstalowaniu.
- Musi być łatwy dostęp do przewodów zraszacza (od strony zaworów).



Minimalny sygnał

**Ważne:** Sterownik czasowy jest odporny na czynniki atmosferyczne zgodnie ze specyfikacją UL-50 oraz ETL®, lecz nie należy go umieszczać w obszarach, w których ciągły przepływ wody może spowodować uszkodzenia.

**WSKAZÓWKA:** W przypadku wymiany sterownika czasowego najlepiej jest zrobić zdjęcie przewodów przed odłączeniem ich od starego sterownika.

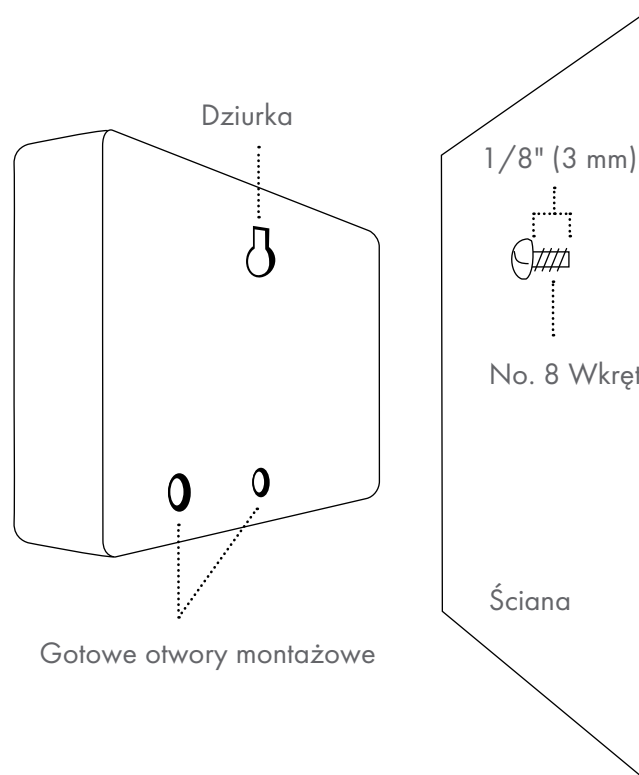
## Montaż sterownika czasowego

Wymagane narzędzia

- Mały śrubokręt płaski (dołączony do zestawu sprzętu)
- Ściągacz do izolacji
- Wiertarka z wiertłem 3/16" (4,8 mm)
- Poziomica

**Wskazówka:** Użyj kotw rozprężnych (dołączone) w przypadku instalacji w tynku, murze lub płycie gipsowo-kartonowej.

1. Zamocuj wkręt nr 8 (dołączony) w ścianie, pozostawiając główkę odstającą na 3 mm (1/8") od ściany.
2. Zawieś sterownik czasowy na zamocowanej śrubie, używając dziurki znajdującej się w górnej części z tyłu obudowy.
3. Wyrównaj sterownik czasowy i zamocuj drugą śrubę w jednym z gotowych otworów montażowych w dolnej części z tyłu obudowy, aby dokładnie przytwierdzić urządzenie.



## Podłączanie zaworów zraszaczy

1. Zdejmij 13 mm (1/2") izolacji z tworzywa sztucznego z końców każdego z przewodów zaworu oraz sterownika czasowego zraszania.
2. Podłącz jeden przewód z każdego zaworu do pojedynczego przewodu „wspólnego” (COM) zraszacza (zazwyczaj białego koloru).

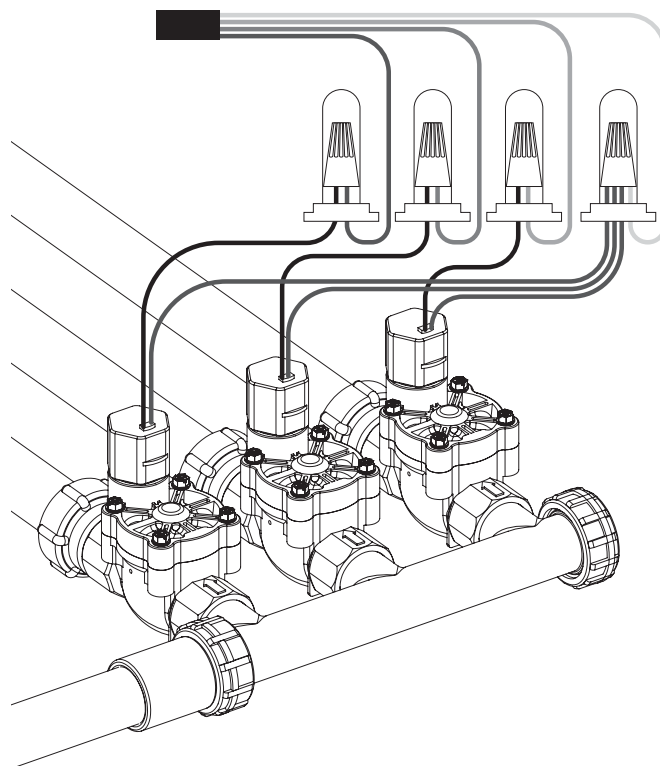
**Wskazówka:** Nie ma znaczenia, który przewód na zaworze zostanie podłączony, o ile będzie to co najmniej jeden na każdy zawór.

3. Podłącz pozostały przewód z każdego zaworu do przewodu zraszacza w oddzielnym kolorze, który zostanie podłączony do zacisku na sterowniku czasowym.

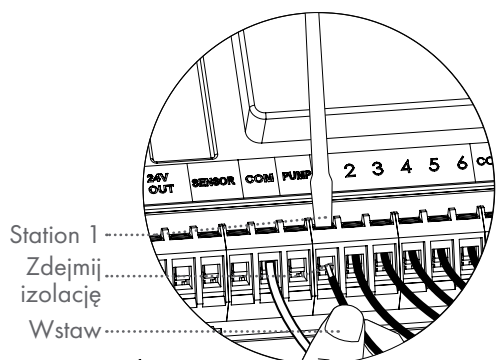
**Uwaga:** Należy użyć przewodu o przekroju 20 AWG do podłączania sterownika czasowego zraszania do zaworów, jeżeli odległość między sterownikiem czasowym zraszania a zaworami wynosi mniej niż 210 m (700'). Jeżeli odległość wynosi więcej niż 210 m (700'), użyj przewodu o przekroju 16 AWG.

**Ważne:** Wszystkie przewody powinny być połączone za pomocą nakrętek, spoiny lutowniczej i/lub taśmy winylowej. W wilgotnych środowiskach takich jak skrzynki zaworowe zalecane jest stosowanie złączek smarowych Orbit w celu uniknięcia korozji połączenia oraz zabezpieczenia przed przenikaniem wody.

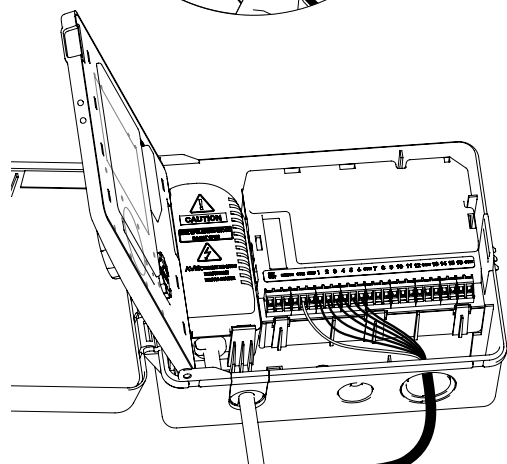
**Ważne:** Przewody mogą być zakopane w ziemi, lecz w celu zapewnienia lepszej ochrony należy przed zakopaniem umieścić je wewnątrz rury PCW. Należy zachować ostrożność podczas zakopywania przewodów w miejscach, w których mogą w przyszłości ulec uszkodzeniu w wyniku kopania.



## Podłączanie sterownika czasowego B-hyve



Station 1 .....  
Zdejmij .....  
izolację .....  
Wstaw .....



Zaślepki 13 mm, 20 mm i 25 mm (1/2", 3/4" i 1") do większych systemów z większą liczbą wiązek przewodów

Mały otwór – do przeprowadzania kabla 5- lub 7-żyłowego bezpośrednio do skrzynki

Zaślepka do systemów z wbudowanym układem

**Note:** We recommend you consult an electrician for hardwired installations.

1. Zdejmij 13 mm (1/2") izolacji z tworzywa sztucznego z końców każdego z przewodów.
2. Poluzuj śruby zacisku.
3. Włóż przewód wspólny do zacisku wspólnego i, używając dołączonego śrubokręta, dokręć śrubę zacisku przewodu, aby go zabezpieczyć.
4. Włóż i dokręć pozostałe przewody do odpowiednich zacisków.

**▲ Ostrzeżenie:** W celu uniknięcia zagrożenia porażeniem elektrycznym do każdego zacisku należy podłączyć tylko jeden zawór (stacja).

**Ważne:** Maksymalne obciążenie każdej stacji/pompy to 250 mA, natomiast maksymalne obciążenie sterownika czasowego to 500 mA.

## Podłączanie zasilania

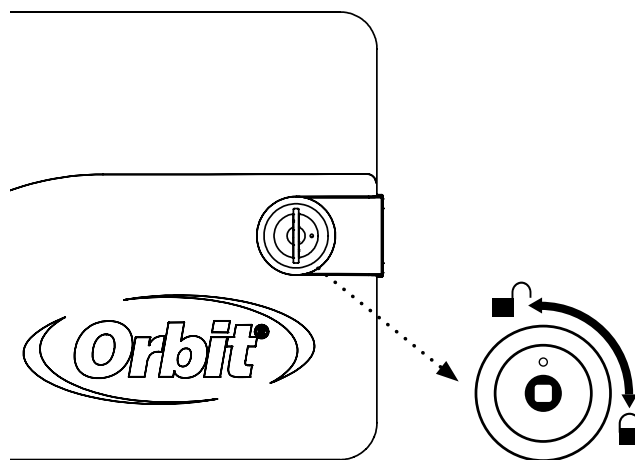
Po podłączeniu do źródła zasilania sterownik czasowy B-hyve™ automatycznie podejmie próbę połączenia z urządzeniem inteligentnym. Ikona Wi-Fi w lewym górnym rogu wyświetlacza sterownika czasowego rozpocznie sekwencję stopniowego migania. Oznacza to, że sterownik czasowy jest gotowy do parowania z urządzeniem inteligentnym. Szczegółowe informacje dotyczące parowania sterownika czasowego zostały podane na stronie 7.

Jeżeli urządzenie zamontowane jest na zewnątrz, należy zamknąć drzwiczki obudowy, aby zabezpieczyć sterownik czasowy przed uszkodzeniami spowodowanymi przez czynniki atmosferyczne.

**Wewnątrz budynków**— podłącz przewód zasilania do gniazdka elektrycznego 110 V.

**Na zewnątrz budynków**—podłącz przewód zasilania do gniazdka 110 V z wyłącznikiem różnicowoprądowym.

**Ważne:** Zalecany skonsultować się z elektrykiem w przypadku instalacji z wbudowanym układem.



## Aktywacja baterii

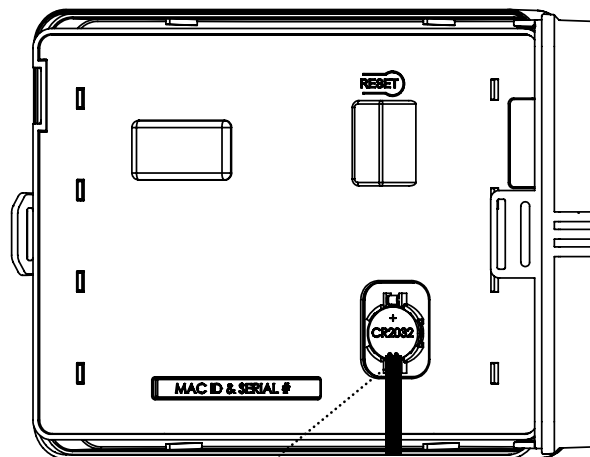
- Sterownik czasowy zawiera baterię litową CR2032.
- Bateria umożliwia zachowanie czasu i daty w przypadku utraty zasilania sieciowego.
- Aby uniknąć utraty programów, zaleca się wymieniać baterię raz do roku.

*Uwaga: Sama bateria nie umożliwia obsługi zaworów w systemie zraszania. Sterownik czasowy zraszania zawiera wbudowany transformator, który musi być podłączony do źródła napięcia sieciowego.*

**▲OSTRZEŻENIE:** Niebezpieczeństwo pożaru, wybuchu i porażenia prądem. Baterie należy zawsze wymieniać na typ CR2032 Hitachi Maxell Ltd. Stosowanie innych baterii powoduje niebezpieczeństwo pożaru, wybuchu i porażenia prądem.

**▲OSTRZEŻENIE:** Niebezpieczeństwo oparzenia chemicznego. Trzymaj baterie z dala od dzieci

**▲OSTRZEŻENIE:** Ten produkt zawiera litową baterię guzikową/pastyłkową. Połknięcie bądź przedostanie się nowej lub używanej baterii guzikowej/pastyłkowej do organizmu może spowodować poważne poparzenia wewnętrzne oraz spowodować śmierć nawet w ciągu 2 godzin. Należy zawsze dokładnie zabezpieczać komorę baterii. W przypadku braku możliwości bezpiecznego zamknięcia komory baterii należy wstrzymać używanie produktu, wyjąć baterie oraz trzymać je z dala od dzieci. W razie podejrzenia, że baterie mogły zostać połknięte lub przedostać się do jakiegokolwiek części ciała, należy zwrócić się o natychmiastową pomoc lekarską.



W celu aktywowania baterii należy zdjąć plastikowy pasek.



## Wymiana baterii

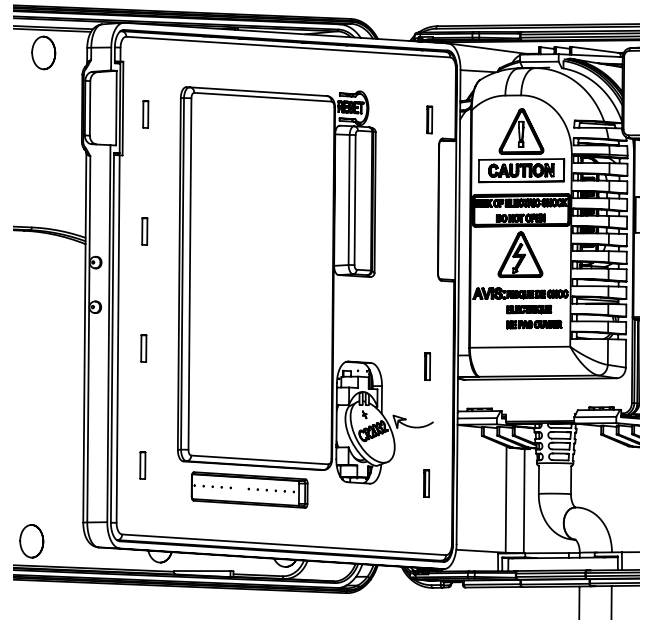
- W celu wyjęcia podnieś krawędź baterii guzikowej. NIE UŻYWAĆ śrubokręta ani innego przedmiotu metalowego.
- Włóż nową baterię CR2032 pod kątem i nacisnąć, aby wskoczyła na miejsce.
- Zweryfikuj, czy strona + znajduje się na górze.

*Uwaga: W przypadku słabej baterii lub jej braku czas i data mogą ulec skasowaniu po wystąpieniu awarii zasilania. Jeżeli to nastąpi, konieczne będzie zainstalowanie w pełni naładowanej baterii.*

**Ważne:** Jeżeli z jakiegokolwiek powodu program zostanie utracony, zainstalowany fabrycznie program awaryjny będzie włączać każdą ze stacji codziennie na 10 minut.

- ▲ **OSTRZEŻENIE:** Sterownik czasowy musi być odłączony od zasilania sieciowego podczas wyjmowania baterii.
- ▲ **PRZESTROGA: NIEBEZPIECZEŃSTWO WYBUCHU W PRZYPADKU NIEPRAWIDŁOWEGO UMIESZCZENIA BATERII. NALEŻY WYMIENIAĆ TYLKO NA TAKI SAM LUB RÓWNOWAŻNY TYP ZALECANY PRZEZ PRODUCENTA. ZUŻYTE BATERIE POWINNY BYĆ WYRZUCANE**

*Note: Battery should be disposed of properly.*



## Programowanie Podłączanie do sieci Wi-Fi

Programowanie na sterowniku czasowym może być przeprowadzone niezależnie od tego, czy urządzenie jest podłączone do sieci Wi-Fi, czy też nie. Dzięki temu ogrodnik, który zostawił telefon w środku, może uruchomić cykl ręczny lub skorygować programowanie zależnie od potrzeb bez dotykania telefonu brudnymi rękami. W przeciwnym razie programowanie powinno być wykonane z użyciem instrukcji zawartych w aplikacji.

### 1. Install B-hyve App

Zainstaluj aplikację B-hyve, jeżeli jeszcze jej nie masz, i utwórz konto na swoim urządzeniu inteligentnym.

### 2. Wprowadź ustawienia Wi-Fi.

Sterownik czasowy B-hyve™ utworzy własną sieć, która będzie wyświetlana na liście dostępnych połączeń Wi-Fi na urządzeniu inteligentnym. Połącz się z siecią Orbit Smart Home i powróć do aplikacji Orbit® B-hyve™.

*Note:* Może być konieczne usunięcie sterownika czasowego z urządzenia inteligentnego. Przejdź do ustawień, aby deautoryzować sterownik czasowy. Następnie wyświetlony zostanie monit z prośbą o potwierdzenie usunięcia sterownika czasowego.

Znajdź Orbit\_SmartHome\_XXXX na swojej liście sieci Wi-Fi.

Po powrocie do aplikacji wyświetlona zostanie lista dostępnych sieci. Wybierz swoją sieć, a następnie wpisz hasło do sieci, aby połączyć sterownik czasowy z sygnałem Wi-Fi. Po podłączeniu ikona Wi-Fi na sterowniku czasowym przestanie migać i wyświetli stałe linie.

**Wskazówka:** Możesz ponownie sparować swoje urządzenie inteligentne ze sterownikiem czasowym, przetaczając pokrętkę na pozycję „Wyl” („Off”) i naciskając przycisk resetowania z tyłu panelu ruchomego. Na wyświetlaczu pojawi się „parowanie”.

*Uwaga:* Naciśnij przycisk Reset z tyłu panelu ruchomego, aby wyczyścić wszelkie wcześniejsze programowanie fabryczne.



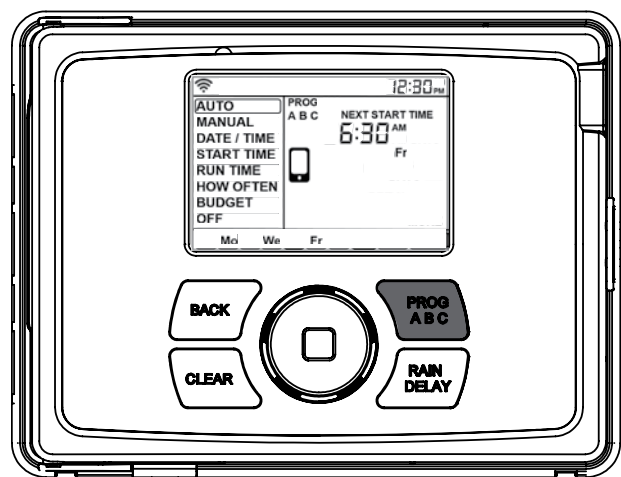
## Przycisk PROGRAM (PROG ABC)

Sterownik czasowy zraszania zapewnia elastyczność dzięki możliwości używania 3 niezależnych programów (A, B, C). Programy umożliwiają przechowywanie wszystkich ustawień zraszaczy. Składa się z grupy stacji, dla których ustawiono określony czas uruchomienia oraz czas działania. Dzięki kilku programom możesz uruchamiać różne zawory w różne dni z różną długością czasu działania. Choć wiele aplikacji wymaga tylko jednego programu (A), korzystanie z kilku programów może być przydatne w przypadku obszarów ściekania, nowo posadzonych trawników oraz stacji z obrotowymi zraszaczami. Zastosowanie programów do grupowania stacji o podobnym zapotrzebowaniu na wodę pozwala zmaksymalizować wydajność nawadniania.

**Na przykład:** możesz skonfigurować swoje strefy, aby na trawnikach uruchamiać się program A, na kwietnikach – program B, natomiast w ogrodzie – program C. Ewentualnie możesz skonfigurować swoje strefy do korzystania z inteligentnego nawadniania, a sterownik czasowy będzie korzystał z bieżących danych pogodowych oraz danych lokalnych w celu automatycznego skonfigurowania harmonogramu nawadniania.

Przycisk PROGRAM ABC (PROG ABC) przełącza między programami podczas konfigurowania lub modyfikowania czasu uruchomienia, czasu działania, długości oraz budżetu.

1. Naciśnij przycisk PROGRAM ABC (PROG ABC), aby wyłączyć lub wyłączyć skonfigurowane programy. Podświetli się A, B lub C, aby pokazać, które programy są aktywne i będą stosowane do nawadniania.



2. Aby nawadniać wyłącznie w trybie inteligentnym, na ekranie powinna być wyświetlana wyłącznie ikona telefonu.

**Uwaga:** Jeżeli nie widzisz litery programu (A, B, C lub telefon) na ekranie, ten program nie będzie używany do nawadniania. Naciśnij przycisk PROGRAM ABC (PROG ABC), aż wyświetli się program, który chcesz zastosować do nawadniania.

**Uwaga:** Należy zawsze mieć świadomość aktualnego programu (A, B lub C) podczas zmiany ustawień.

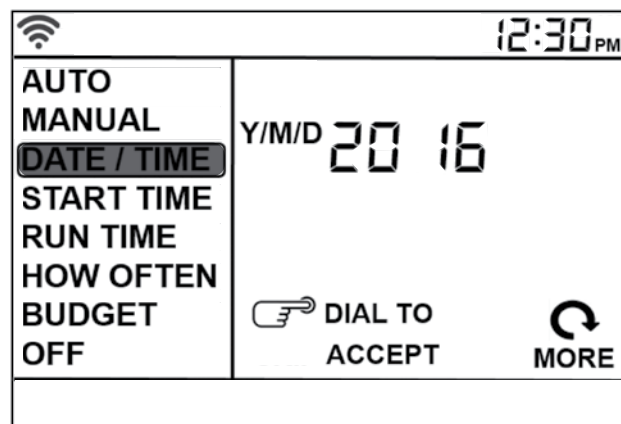
## Data/godzina

W przypadku połączenia z siecią Wi-Fi data i czas będą ustawiane automatycznie na sterowniku czasowym zraszania. Wykonaj poniższe działania, aby ustawić datę i czas ręcznie:

3. Obróć pokrętkę, aż pole wyboru zostanie ustawione na DATA/CZAS (DATE/TIME).
4. Naciśnij pokrętkę. Y (rok) zacznie migać.
5. Obróć pokrętkę w celu ustawienia bieżącego roku.
6. Naciśnij pokrętkę, aby potwierdzić rok. M (miesiąc) zacznie migać.
7. Powtórz kroki 3 i 4, aby wprowadzić miesiąc i dzień.
8. Po potwierdzeniu dni zacznie migać czas.
9. Obróć pokrętkę w celu ustawienia aktualnej godziny.

**Uwaga:** Obracając pokrętkę, możesz przełączyć między godzinami przed i po południu. Ważne jest, aby zweryfikować prawidłowe ustawienie godziny w układzie 12-godzinnym.

10. Naciśnij pokrętkę, aby potwierdzić godzinę.
11. Powtórz kroki 7 do 8, aby ustawić minuty. Data i czas są teraz ustawione.



## Czas uruchomienia

Jest to czas zaprogramowanego uruchomienia nawadniania; pierwsza strefa rozpocznie nawadnianie w 1. czasie uruchomienia. Można skonfigurować do 4 czasów uruchomienia. Jeżeli czas uruchomienia będzie ustawiony przed ukończeniem poprzedniego programu, wówczas czas uruchomienia zostanie „nałożony” i opóźniony oraz rozpocznie się po ukończeniu poprzedniego programu.

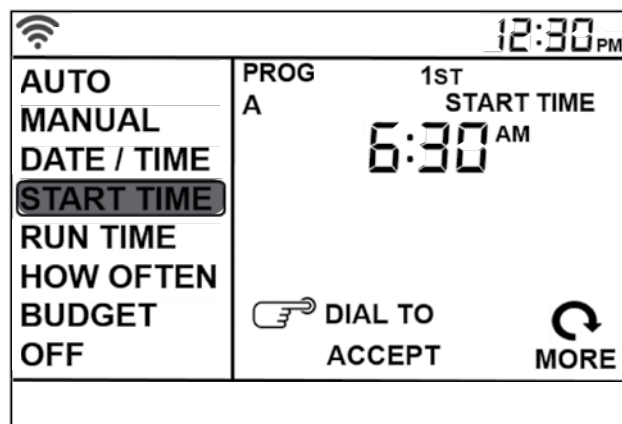
**Wskazówka:** Tylko jeden czas uruchomienia jest niezbędny do uruchomienia wszystkich Twoich stref.

1. Obróć pokrętkę, aż pole wyboru zostanie ustawione na CZAS URUCHOMIENIA (START TIME)
2. Naciśnij pokrętkę. Kreski czasu (--) będą migać.
3. Obróć pokrętkę w celu ustawienia żądanej godziny czasu uruchomienia.

**Uwaga:** Obracając pokrętkę, możesz przetączyć między godzinami przed i po południu.

4. Naciśnij pokrętkę, aby potwierdzić godzinę czasu uruchomienia. Kreski minut (--) będą migać.
5. Obróć pokrętkę w celu ustawienia żądanej wartości minut czasu uruchomienia.
6. Naciśnij pokrętkę, aby potwierdzić wartość minut czasu uruchomienia.

**Uwaga:** Po naciśnięciu pokrętki sterownik czasowy automatycznie przejdzie do 2. czasu uruchomienia. Jeżeli potrzebne są dodatkowe czasy uruchomienia, należy wykonać ten proces ponownie. Dodatkowe czasy uruchomienia przydają się w celu



uniknięcia splotu oraz umożliwienia, aby gleba wchłonęła wodę.

**Przykład:** Bill niedawno zasadził nową trawę i chce ją podlewać trzy razy dziennie. Ustawia CZAS URUCHOMIENIA 1 na 5 rano, CZAS URUCHOMIENIA 2 na 12 oraz CZAS URUCHOMIENIA 3 na 17. Ustawia również opcję CZĘSTOTLIWOŚĆ (interwał) na CO 1 DZIEŃ (patrz punkt 3 CZĘSTOTLIWOŚĆ). W trybie AUTO system będzie nawadniać 3 razy dziennie. Raz Darni Billa jest już dobrze rozwinięta, dlatego chce WYCZYŚCIĆ czasy uruchomienia 2 i 3 oraz powrócić do nawadniania tylko raz dziennie.

- Naciśnij przycisk PROGRAM ABC (PROG ABC), aby skonfigurować czasy uruchomienia dla dodatkowych programów, powtarzając powyższe kroki.

## Czas działania

Tutaj możesz skonfigurować czas, przez który każda ze stacji będzie nawadniać. Stacją to obszar lub strefa, która będzie nawadniana przez każdy z zaworów.

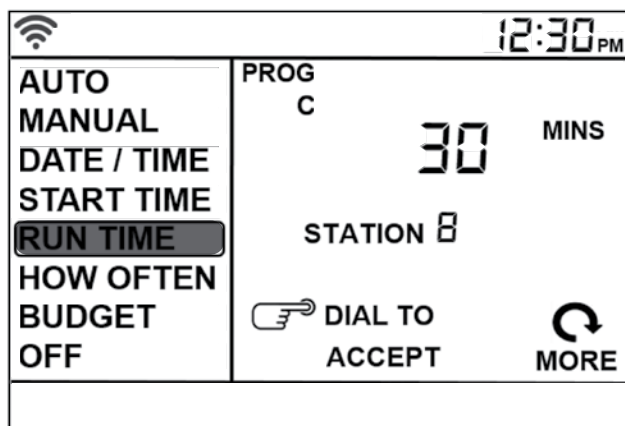
7. Obróć pokrętkę, aż pole wyboru zostanie ustawione na CZAS DZIAŁANIA (RUN TIME).
8. Naciśnij pokrętkę. Numer STACJI (STATION) będzie migać.
9. Obróć pokrętkę w celu ustawienia numeru strefy, którą chcesz zaprogramować.
10. Naciśnij pokrętkę, aby potwierdzić strefę. MINUTY (MINS) będą migać.
11. Obróć pokrętkę w celu ustawienia żądanego czasu trwania dla danej strefy.
12. Naciśnij pokrętkę, aby potwierdzić czas działania.

**Uwaga:** Sterownik czasowy automatycznie przejdzie do następnej stacji, MINUTY (MINS) będą migać.

13. Powtórz kroki 5 do 6 w celu ustawienia każdej ze stref, które chcesz skonfigurować.

- Jeżeli chcesz skonfigurować strefy w różnych programach (A, B lub C), naciśnij przycisk PROGRAM ABC (PROG ABC) w celu wyświetlenia żądanego programu, a następnie powtórz kroki.

**Uwaga:** Naciśnij przycisk WSTECZ (BACK), aby powrócić do głównego menu ekranu LCD.



## Częstotliwość

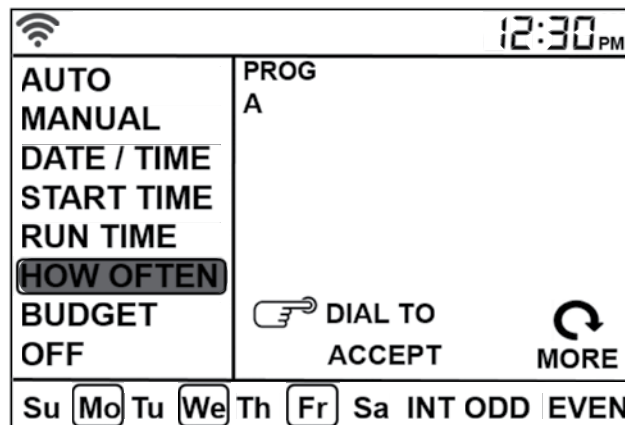
Istnieją trzy opcje służące do określania częstotliwości nawadniania (określone dni lub interwały).

- Dni tygodnia (pon., wt., śr. itp.)
- Interwały (co „X” dni)
- Dni nieparzyste lub parzyste

## Dni tygodnia

1. Obróć pokrętkę, aż pole wyboru zostanie ustawione na CZĘSTOTLIWOŚĆ (HOW OFTEN).
2. Naciśnij pokrętkę. Będzie migać niedz. (niedziela) (Su (Sunday)).
3. Obróć pokrętkę, aż zaczną migać odpowiedni dzień tygodnia.
4. Naciśnij pokrętkę, aby potwierdzić wybór. Wybrany dzień zostanie otoczony ramką.
5. Powtórz ten proces, aż wszystkie żądane dni nawadniania będą oznaczone ramką.
6. Naciśnij WSTECZ (BACK), aby powrócić do głównego menu.
7. Obróć pokrętkę na pozycję Auto i naciśnij je, aby potwierdzić. Sterownik czasowy jest zaprogramowany!

- Aby usunąć wcześniej wprowadzony dzień, obróć pokrętkę na ten dzień i naciśnij je, aby go odznaczyć.
- Jeżeli chcesz wymazać wszystkie dni nawadniania, naciśnij przycisk WYCZYŚĆ (CLEAR).

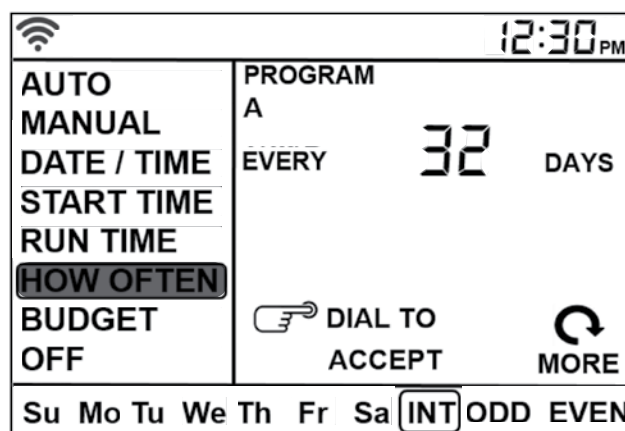


## Interwały

1. Obróć pokrętkę, aż pole wyboru zostanie ustawione na CZĘSTOTLIWOŚĆ (HOW OFTEN).
2. Naciśnij pokrętkę. Będzie migać niedz. (niedziela) (Su (Sunday)).
3. Obróć pokrętkę na INT.
4. Naciśnij pokrętkę, aby potwierdzić. Pojawi się ramka dookoła opcji INT, zaś na ekranie pojawi się CO 1 DZIEŃ (EVERY 1 DAYS). 1 będzie migać jako domyślny interwał.
5. Obróć pokrętkę w celu zwiększenia tej liczby oraz naciśnij je po wybraniu żądanej liczby dni odstępu między nawadnianiem.

*Przykład: Interwał wynoszący 1 oznacza nawadnianie codziennie; interwał wynoszący 3 dni oznacza co 3. dzień itp.*

6. Naciśnij WSTECZ (BACK), aby powrócić do głównego menu.
7. Obróć pokrętkę na pozycję Auto i naciśnij je, aby potwierdzić. Sterownik czasowy jest zaprogramowany!



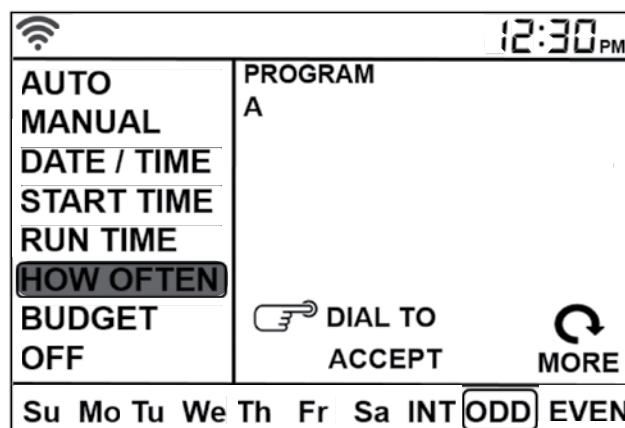
## Dni nieparzyste lub parzyste

1. Obróć pokrętkę, aż pole wyboru zostanie ustawione na CZĘSTOTLIWOŚĆ (HOW OFTEN).
  2. Naciśnij pokrętkę. Będzie migać niedz. (niedziela) (Su (Sunday)).
  3. Obróć pokrętkę na NIEPARZYSTE (ODD) lub PARZYSTE (EVEN).
- Naciśnij pokrętkę, aby potwierdzić. Pojawi się ramka dookoła opcji NIEPARZYSTE (ODD) lub PARZYSTE (EVEN).

*Przykład: Nieparzyste: 1., 3., 5. itp.*

*Przykład: Parzyste: 2., 4., 6. itp.*

4. Naciśnij WSTECZ (BACK), aby powrócić do głównego menu.
5. Obróć pokrętkę na pozycję Auto i naciśnij je, aby potwierdzić. Sterownik czasowy jest zaprogramowany!



## Auto

Sterownik czasowy powinien być ustawiony na AUTO w sezonie nawadniania oraz WYŁ (OFF) przez zimę oraz w trakcie miesięcy bez nawadniania.

Obróć pokrętkę na pozycję AUTO oraz naciśnij je lub pozostaw tam, aby zachować aktywną opcję AUTO.

W przypadku pozostawienia wyboru pokrętki w innej pozycji niż WYŁ (OFF) w ciągu około 20 sekund nastąpi powrót do opcji AUTO.

Aby wyłączyć sterownik czasowy, obróć pokrętkę na pozycję WYŁ (OFF) oraz naciśnij je lub pozostaw w pozycji WYŁ (OFF).

**Wskazówka:** Istnieje możliwość przełączania między opcją WYŁ (OFF) a AUTO w aplikacji.

## Dodatkowe funkcje OPÓŹNIENIE DESZCZOWE

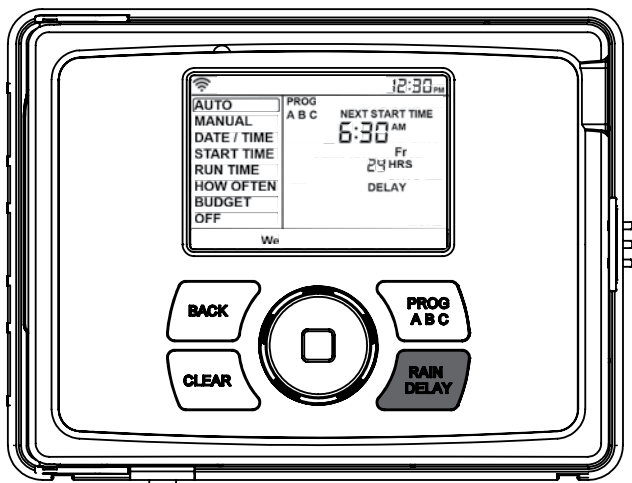
Opóźnienie deszczowe może być stosowane do opóźnienia nawadniania za pomocą sterownika czasowego przez czas od 1 do 32 dni. Po upływie wybranego przedziału czasu opóźnienia deszczowego zostaje wznowione automatyczne nawadnianie.

1. Upewnij się, że sterownik czasowy jest ustawiony na AUTO.
2. Naciśnij przycisk opóźnienia deszczowego (Rain Delay), aby automatycznie opóźnić nawadnianie o 24 godziny.

**Uwaga:** Jeżeli wymagane jest dłuższe opóźnienie deszczowe, naciśnij kilka razy przycisk opóźnienia deszczowego (Rain Delay) lub obróć pokrętkę w celu wybrania żądanej liczby dni opóźnienia.

- W trybie opóźnienia deszczowego sterownik czasowy będzie wyświetlał liczbę pozostałych dni lub godzin opóźnienia.
- Aby anulować opóźnienie deszczowe, naciśnij przycisk WYCZYŚĆ (CLEAR). Wówczas nastąpi przywrócenie harmonogramu nawadniania.
- Aby aktywować lub dezaktywować złącza czujnika deszczu, naciśnij i przytrzymaj przycisk OPÓŹNIENIE DESZCZOWE (RAIN DELAY) przez 5 sekund.

**Uwaga:** Ta funkcja przydaje się do obejścia czujnika w celu wznowienia nawadniania, jeżeli jest wymagane przed wyschnięciem czujnika.



## Budżet

Funkcja budżetowania wody ułatwia modyfikację wszystkich czasów działania bez konieczności zmieniania ich jeden po drugim. To idealna funkcja do regulowania wszystkich stref pod kątem zmian sezonowych.

Istnieje możliwość regulacji co 10% w zakresie od 10% do 200%. Domyślna wartość wynosi 100% – oznacza to, że sterownik czasowy będzie uruchamiał każdą ze stref na dokładnie tyle minut, ile wynosi skonfigurowany czas działania. Budżetowanie pozostanie na zmodyfikowanym poziomie do czasu zmienienia.

1. Obróć pokrętkę, aż pole wyboru zostanie ustawione na opcji budżet (budget).
2. Naciśnij pokrętkę. Pojawią się migające liczby.  
Uwaga: Domyślna wartość to 100.
3. W celu wyregulowania obróć pokrętkę, aby ustawić żądaną wartość procentową budżetowania. Wyregulowanie budżetu wpłynie na wszystkie czasy działania w ramach programu o wybraną wartość procentową.

**Przykład:** Jeżeli Twoje strefy są ustawione na nawadnianie przez 10 minut, zaś budżet zostanie zmieniony z 100% na 150%, wówczas ich czas działania ulegnie zwiększeniu do 15 minut bez konieczności zmiany czasu działania każdej z nich.

4. Naciśnij pokrętkę, aby potwierdzić swój wybór. Jeżeli konfigurujesz dodatkowe programy (A, B lub C), naciśnij przycisk PROGRAM ABC (PROG ABC) w celu wyświetlenia żądanego programu, a następnie powtórz ten proces.

## Sterowanie ręczne

Twój sterownik czasowy umożliwia ręczne sterowanie nawadnianiem bez zakłócania wstępnie skonfigurowanego programu. Sterowanie ręczne służy do testowania stref lub uruchamiania dodatkowego cyklu dla określonej strefy, programu bądź wszystkich stref.

W celu nawodnienia wszystkich stref

1. Obróć pokrętkę, aż pole wyboru zostanie ustawione na opcji STEROWANIE RĘCZNE (MANUAL).
2. Naciśnij pokrętkę. Na wyświetlaczu pojawi się napis WSZYSTKO (ALL).
3. Naciśnij pokrętkę ponownie. Zacznie migać 0.
4. Obróć pokrętkę w celu ustawienia żądanego czasu działania dla sterowania ręcznego.
5. Naciśnij pokrętkę, aby rozpocząć nawadnianie.

**Uwaga:** Jeżeli czas działania dla sterowania ręcznego nie zostanie ustawiony, wówczas sterownik czasowy nie rozpocznie ręcznego nawadniania, a ekran powróci do aktualnego czasu.

W celu nawadniania dla określonego programu A, B lub C

1. Obróć pokrętkę, aż pole wyboru zostanie ustawione na opcji STEROWANIE RĘCZNE (MANUAL).
2. Naciśnij pokrętkę. Na wyświetlaczu pojawi się napis WSZYSTKO (ALL).
3. Obróć pokrętkę w celu wybrania programu(-ów) do nawodnienia (wszystkie ABC bądź A, B lub C oddzielnie).
4. Naciśnij pokrętkę, aby rozpocząć nawadnianie dla wybranego programu.

W celu nawodnienia określonej strefy

1. Obróć pokrętko, aż pole wyboru zostanie ustawione na opcji STEROWANIE RĘCZNE (MANUAL).
2. Naciśnij pokrętko. Na wyświetlaczu pojawi się napis WSZYSTKO (ALL).
3. Turn the dial past the A, B, C programs until STATION 1.
4. Naciśnij pokrętko. Na wyświetlaczu pojawi się 0 oraz MINUTY (MINS).
5. Obróć pokrętko, aż pojawi się stacja, którą chcesz uruchomić.
6. Naciśnij pokrętko. 0 mignie jeden raz.
7. Obróć pokrętko, aż pojawi się liczba minut, na którą chcesz uruchomić stację.
8. Naciśnij pokrętko, aby rozpocząć nawadnianie dla określonego programu.

**Przykład:** Aby ręcznie nawadniać strefę 3 przez pięć minut, obróć pokrętko na pozycję [STEROWANIE RĘCZNE] [(MANUAL)], a następnie naciśnij je. Obróć pokrętko, aż zobaczysz stację 6 lub 12, naciśnij pokrętko oraz obróć je, aż zobaczysz stację 3, a następnie naciśnij pokrętko po raz kolejny. Obróć pokrętko, aż na wyświetlaczu pojawi się pięć minut, a następnie naciśnij pokrętko.

**Uwaga:** Gdy zaprogramowana stacja ręczna jest uruchomiona, możesz za pomocą tego procesu zaprogramować więcej niż jedną określoną strefę. Powtórz powyższe kroki wyboru strefy oraz czasu trwania, aby nawodnić dodatkowe strefy.

Aby zatrzymać proces nawadniania ręcznego, naciśnij przycisk WYCZYŚĆ (CLEAR).

## Podłączanie czujnika deszczu

Podłącz przewody czujnika deszczu do portów zacisków kablowych oznaczonych „Czujnik” („Sensor”).

**Uwaga:** Należy zapoznać się z instrukcją obsługi czujnika deszczu, aby uzyskać szczegółowe instrukcje dotyczące okablowania.

Obejście czujnika deszczu

Sterownik czasowy zraszania jest wyposażony w obejście czujnika „wł/wył” („on/off”). Służy ono do stosowania podczas konserwacji i napraw, dzięki czemu sterownik czasowy zraszania może być obsługiwany nawet wtedy, gdy czujnik deszczu jest w trybie aktywnym. Aby obejść czujnik, naciśnij i przytrzymaj przycisk opóźnienia deszczowego (Rain Delay) przez 5 sekund.

Na wyświetlaczu pojawi się komunikat CZUJ i WYŁ (SENS i OFF) lub CZUJ i WŁ (SENS i ON).

**Ważne:** Sterownik czasowy zraszania nie będzie działał, jeżeli czujnik jest włączony w przypadku braku podłączonego czujnika. Aby przywrócić działanie sterownika czasowego, naciśnij i przytrzymaj przycisk opóźnienia deszczowego (Rain Delay) przez 5 sekund lub ponownie podłącz przewód połączeniowy do zacisków czujnika.

## Uruchomienie pompy i zawór główny

Ten sterownik czasowy zraszania umożliwia działanie zaworu głównego lub przełącznika uruchomienia pompy za każdym razem, gdy stacja jest włączona.

**Uwaga:** W przypadku aktywowania pompy za pomocą tego sterownika czasowego należy zakupić przełącznik uruchomienia pompy. Od przełącznika uruchomienia pompy (lub zaworu głównego) podłącz jeden przewód do zacisku „pompy” („Pump”), a drugi do zacisku „wspólnego” („Common”).

## DEFINICJE

### CZAS URUCHOMIENIA

Czas, w którym program rozpoczyna nawadnianie pierwszej zaprogramowanej stacji.

### ZAWÓR

Dostarcza wodę do określonej stacji lub obszaru. Zawór jest otwierany i zamykany za pomocą prądu elektrycznego dostarczanego przez sterownik czasowy zraszania.

### ZAWÓR GŁÓWNY

Zazwyczaj znajduje się przy głównym źródle wody. Włącza i wyłącza wodę dla całego systemu nawadniania, gdy nie jest w użyciu.

### WIELOKROTNE CZASY URUCHOMIENIA

Funkcja sterowania umożliwiająca wielokrotne uruchomienie systemu w ciągu tego samego dnia nawadniania.

### POKRYWAJĄCE SIĘ PROGRAMY

Gdy „czas uruchomienia” zostanie ustawiony dla programu przed ukończeniem poprzedniego programu.

### PROGRAM (A, B LUB C)

Poszczególne programy skonfigurowane przez użytkownika. Każdy program działa niezależnie. Jeżeli jeden program pokrywa się z innym, wówczas programy te zostaną „nałożone” na siebie. Po ukończeniu pierwszego programu nastąpi rozpoczęcie następnego.

### OPÓŹNIENIE DESZCZOWE

Funkcja umożliwiająca odłożenie uruchomienia zaplanowanego programu nawadniania na określony czas.

### SOLENOID

Elektryczna część zaworu nawadniającego, która otwiera i zamyka zawór.

### STEROWNIK CZASOWY ZRASZANIA

Urządzenie sterujące pracą zaworów poszczególnych stacji.

### STACJA

Grupa zraszaczy obsługiwanych przez jeden zawór kontrolowany przez sterownik czasowy.

### BUDŻETOWANIE WODY

Umożliwia dostosowanie całego programu nawadniania w postaci wartości procentowej całkowitego czasu nawadniania.



## Rozwiązywanie problemów

<b>Problem</b>	<b>Możliwa przyczyna</b>
Jeden lub więcej zaworów nie uruchamia się	1. Wadliwe połączenie solenoidowe
	2. Przewody uszkodzone lub odcięte
	3. Trzpień sterujący przepływem przykręcony, wyłącza zawór
	4. Programowanie jest nieprawidłowe
Stacje włączają się w nieodpowiednim czasie	1. Ciśnienie wody jest zbyt wysokie
	2. Zaprogramowano więcej niż jeden czas uruchomienia
	3. Godziny rano / po południu są nieprawidłowe
Jedna stacja jest zablokowana i nie może się wyłączyć	1. Uszkodzony zawór
	2. Zawór zablokowany przez cząstki zabrudzeń lub zanieczyszczeń
	3. Uszkodzona membrana zaworu
Wszystkie zawory nie włączają się	1. Transformator jest uszkodzony lub nie jest podłączony
	2. Programowanie jest nieprawidłowe
Timer nie uruchamia się	1. Transformator nie jest podłączony do działającego gniazdka
Zawory włączają się i wyłączają, gdy nie są zaprogramowane	1. Więcej niż jeden czas uruchomienia jest zaprogramowany z pokrywającymi się harmonogramami
	2. Nadmierne ciśnienie
Na wyświetlaczu pojawia się komunikat Błąd (Fault) oraz miga numer strefy	1. Zwarcie w przewodzie
	2. Zwarcie w solenoidzie



## Dane techniczne

Wejście znamionowe:

Australia – 240 V AC 50/60 Hz 0,15 A

Europa – 230 V AC 50/60 Hz 0,15 A

USA – 120 V AC 60 Hz 0,15 A

Maksymalne obciążenie:

AUS & EU – 24 V AC 1 A 50/60 na cykl

USA – 24 V AC 750 mA 60 Hz

Zakres temperatur:

Praca: 0–75°C (32–167°F)

Przechowywanie i transport: 0–80°C (32–176°F)

Zakres wilgotności:

Praca: 0–80%

Przechowywanie i transport: 0–90%

Wysokość bezwzględna: 2000 m (6500')

Klasa IPX5

Klasa instalacji II

Kategoria przepięciowa II

**▲ OSTRZEŻENIE: Należy wyjąć część z podnośnika i potwierdzić.**

**Pomoc**

Jeżeli w aplikacji lub witrynie internetowej nie znajdziesz potrzebnych informacji, skontaktuj się z naszą linią pomocy technicznej przed zwróceniem tego sterownika czasowego zraszania do sklepu.

info@orbiteurope.com

www.orbitonline.com | bhyve.orbitonline.com

**Zgodność**

Sterownik czasowy zraszania jest zgodny ze standardem UL-50 oraz został przebadany przez ETL®.

Rozłączenie: Typ 1Y

Warunki standardowego zanieczyszczenia.

Przewód zasilający tego elementu sterującego może być wymieniany tylko przez producenta bądź akredytowanego przedstawiciela serwisowego.

**UWAGA: UWAGA:** Urządzenie zostało poddane badaniom oraz jest zgodne z limitem dla urządzeń cyfrowych klasy B zgodnie z częścią 15 przepisów FCC. Ograniczenia te mają zapewnić odpowiednią ochronę przed szkodliwymi zakłóceniami w instalacjach domowych. To urządzenie generuje, wykorzystuje i może emitować energię o częstotliwości radiowej. Jeżeli nie będzie zainstalowane i użytkowane zgodnie z instrukcjami, może powodować szkodliwe zakłócenia komunikacji radiowej. Nie ma jednak gwarancji, że zakłócenia nie wystąpią w określonej instalacji. Jeśli urządzenie powoduje szkodliwe zakłócenia w odbiorze radiowym lub telewizyjnym, które można ustalić poprzez wyłączenie i włączenie urządzenia, zalecane jest skorygowanie zakłóceń za pomocą jednej z poniższych metod:

- Zmiana orientacji lub położenia anteny odbiorczej.
- Zwiększenie odległości pomiędzy urządzeniem a odbiornikiem.
- Podłączenie urządzenia do gniazdka w innym obwodzie niż ten, do którego podłączony jest odbiornik.
- Zwrócenie się o pomoc do punktu sprzedaży lub doświadczonych technika RTV.

**Przeostroga: Uwaga:** Niniejsze urządzenie nie jest przeznaczone do użytku przez małe dzieci lub osoby niepełnosprawne bez nadzoru. Małe dzieci należy nadzorować, aby upewnić się, że nie będą bawić się urządzeniem.

**WAŻNE INFORMACJE O PRAWACH I OBOWIĄZKACH, A TAKŻE OGRANICZENIACH I WYKLUCZENIACH, KTÓRE MOGĄ DOTYCZYĆ WŁAŚCICIELA.**

### 1. PRAWA WŁAŚCICIELA I OGRANICZONA GWARANCJA

Niniejsza ograniczona gwarancja daje właścicielowi określone prawa. Właściciel może również mieć inne prawa zależnie od kraju, województwa lub jurysdykcji. Zastrzeżenia, wykluczenia i ograniczenia odpowiedzialności wynikające z niniejszej Ograniczonej Gwarancji nie będą miały zastosowania w zakresie zabronionym przez obowiązujące prawo. Aby uzyskać pełny opis praw, należy odwołać się do przepisów obowiązujących w danej jurysdykcji oraz skontaktować się z odpowiednią usługą doradztwa dla konsumentów.

**2. CO OBEJMUJE NINIEJSZA OGRANICZONA GWARANCJA; OKRES GWARANCJI**  
Firma Orbit Irrigation Products, Inc. („Orbit”) gwarantuje właścicielowi niniejszego produktu, że produkt znajdujący się w tym opakowaniu („Produkt”) będzie wolny od wad materiałowych i produkcyjnych przez okres dwóch (2) lat od daty dostawy po pierwotnym zakupie detalicznym produktu („Okres Gwarancji”). Jeśli Produkt nie będzie zgodny z niniejszą Ograniczoną Gwarancją w Okresie Gwarancji, firma Orbit może według własnego uznania: (a) naprawić lub wymienić wadliwy Produkt bądź jego część; lub (b) przyjąć zwrot Produktu oraz zwrócić koszty faktycznie zapłacone przez pierwotnego nabywcę Produktu. Naprawa lub wymiana może być dokonana za pomocą nowych lub odnowionych produktów bądź komponentów, według uznania firmy Orbit.

Produkt lub komponent w nim zawarty nie jest już dostępny, firma Orbit może zastąpić Produkt podobnym produktem o podobnej funkcji, według własnego uznania. Jest to jedyny i wyłączny środek zaradczy przysługujący właścicielowi za naruszenie niniejszej Ograniczonej Gwarancji.

Każdy Produkt, który został naprawiony lub wymieniony na podstawie niniejszej Ograniczonej Gwarancji, będzie objęty niniejszą Ograniczoną Gwarancją przez dłuższy z okresów: trzydziści (30) dni od daty dostawy lub pozostały Okres Gwarancji. Niniejsza Ograniczona Gwarancja jest przekazywana przez pierwotnego nabywcę kolejnym właścicielom, jednakże Okres Gwarancyjny nie jest przedłużany ani rozszerzany w wyniku takiego przeniesienia.

### 3. WARUNKI GWARANCJI; JAK UZYSKAĆ OBSŁUGĘ SERWISOWĄ W PRZYPADKU ZGŁOSZENIA REKLAMACJI W RAMACH NINIEJSZEJ OGRANICZONEJ GWARANCJI

Zanim zgłoszenie reklamacji na mocy niniejszej Ograniczonej Gwarancji będzie możliwe, właściciel Produktu musi powiadomić firmę Orbit o zamiarze takiego zgłoszenia, wchodząc na stronę [www.orbitonline.com/contact](http://www.orbitonline.com/contact) w trakcie Okres Gwarancji oraz podając opis domniemanej wady, a także przygotować wysyłkę zwrotną zgodnie z instrukcjami firmy Orbit. Firma Orbit nie ponosi żadnej odpowiedzialności za zwracane produkty, jeżeli określi według własnego uznania po zbadaniu zwróconego Produktu, że jest to Produkt Niekwalifikowany (zgodnie z definicją poniżej). Firma Orbit ponosi wszelkie koszty przesyłki zwrotnej do właściciela oraz zwróci wszelkie koszty wysyłki poniesione przez właściciela, z wyjątkiem Produktu Niekwalifikowanego, w którym to przypadku całość kosztów wysyłki jest ponoszona przez właściciela.

### 4. CZEGO NINIEJSZA OGRANICZONA GWARANCJA NIE OBEJMUJE

Niniejsza Ograniczona Gwarancja nie obejmuje (łącznie „Produkty Niekwalifikowane”): Produkty oznaczone jako „próbka” oraz sprzedawane „TAK, JAK JEST”; Produkty będące przedmiotem: (a) modyfikacji, zmian, manipulacji lub niewłaściwej konserwacji bądź napraw; (b) obsługi, przechowywania, instalowania, testowania lub używania niezgodnie z instrukcjami dostarczonymi przez firmę Orbit; (c) niewłaściwego użycia Produktu; (d) awarii, wahań lub przerw w dostawach wody, energii elektrycznej lub sieci telekomunikacyjnej; lub (e) zdarzeń losowych, w tym wyładowań atmosferycznych, powodzi, tornad, trzęsień ziemi lub huraganów. Niniejsza gwarancja nie obejmuje części eksploatacyjnych, w tym baterii, chyba że uszkodzenie spowodowane jest wadami materiałowymi lub produkcyjnymi Produktu bądź oprogramowania (nawet jeśli są pakowane lub sprzedawane razem z produktem). Firma Orbit zaleca korzystanie wyłącznie z usług autoryzowanych serwisantów w celu przeprowadzania konserwacji lub naprawy. Nieautoryzowane użycie Produktu lub oprogramowania może negatywnie wpłynąć na działanie Produktu i unieważnić niniejszą Ograniczoną Gwarancję. O ile nie zostało to wyraźnie zaznaczone jako „gwarancja”, firma Orbit nie udziela gwarancji ani nie składa obietnic co do określonego poziomu oszczędności wody, stanu ogrodu lub trawnika oraz innych korzyści wynikających z użycia Produktu bądź jakiegokolwiek jego funkcji. Rzeczywiste oszczędności wody, stan ogrodu i trawnika oraz inne korzyści zależą od czynników będących poza zakresem wiedzy oraz wpływu firmy Orbit.

**5. WYŁĄCZENIE ODPOWIEDZIALNOŚCI Z TYTUŁU GWARANCJI Z WYJĄTKIEM PRZYPADKÓW WYMIENIONYCH POWYŻEJ W NINIEJSZEJ OGRANICZONEJ GWARANCJI ORAZ W MAKSYMALNYM ZAKRESIE DOZWOLONYM PRZEZ OBOWIĄZUJĄCE PRAWO FIRMA ORBIT ZRZĘKA SIĘ WSZELKICH WYRAŻNYCH, DOMNIEMANYCH I USTAWOWYCH GWARANCJI ORAZ WARUNKÓW W ODNIESIENIU DO PRODUKTU, W TYM DOMNIEMANYCH GWARANCJI PRZYDATNOŚCI HANDLOWEJ I PRZYDATNOŚCI DO OKREŚLONEGO CELU. W MAKSYMALNYM ZAKRESIE DOZWOLONYM PRZEZ OBOWIĄZUJĄCE PRAWO FIRMA ORBIT OGRANICZA RÓWNIEŻ CZAS TRWANIA WSZELKICH DOMNIEMANYCH GWARANCJI LUB WARUNKÓW DO CZASU OBOWIĄZYWANIA NINIEJSZEJ OGRANICZONEJ GWARANCJI.**

**6. OGRANICZENIE SZKÓD POZA POWYŻSZYMI ROSZCZENIAMI GWARANCYJNYMI FIRMA ORBIT W ŻADNYM PRZYPADKU NIE PONOSI ODPOWIEDZIALNOŚCI ZA SZKODY WΤÓRNE, PRZYPADKOWE, WZORCOWE LUB SPECJALNE, W TYM WSZELKIE SZKODY WYNIKAJĄCE Z UTRATY DANYCH LUB ZYSKÓW W ODNIESIENIU DO NINIEJSZEJ OGRANICZONEJ GWARANCJI LUB PRODUKTU; CAŁKOWITA ZBIORCZA ODPOWIEDZIALNOŚĆ FIRMY ORBIT W ZWIĄZKU Z NINIEJSZĄ OGRANICZONĄ GWARANCJĄ LUB PRODUKTEM NIE PRZEKRACZA KWOTY FAKTYCZNE ZAPŁACONEJ ZA PRODUKT PRZEZ PIERWOTNEGO NABYWCĘ.**

**7. WŁAŚCICIEL MA MOŻLIWOŚĆ KORZYSTANIA Z OKREŚLONYCH USŁUG FIRMY ORBIT („USŁUGI”) W ZWIĄZKU Z JEGO PRODUKTAMI. KORZYSTANIE Z TYCH USŁUG PODLEGA OSOBNYM WARUNKOM ŚWIADCZENIA USŁUG.**

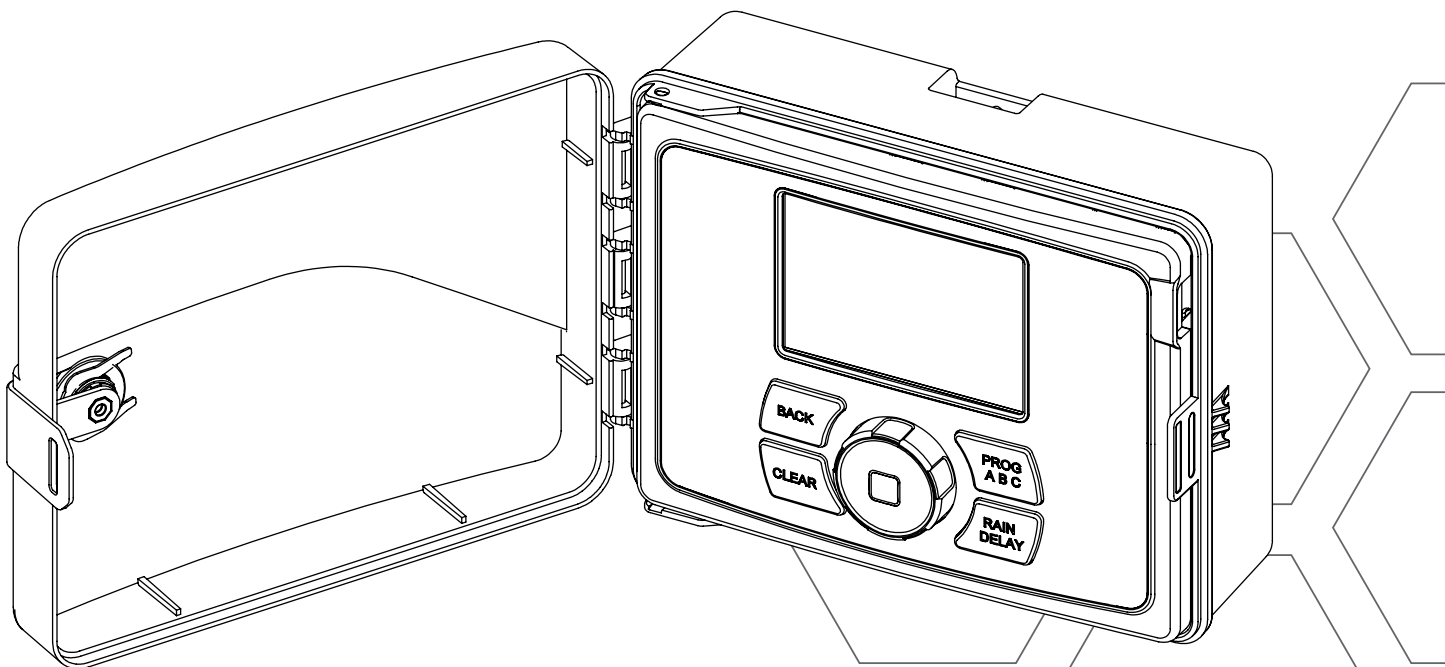
**8. RÓŻNICE, KTÓRE MOGĄ DOTYCZYĆ NINIEJSZEJ OGRANICZONEJ GWARANCJI**  
Niektóre systemy prawne nie zezwalają na ograniczenia co do długości trwania gwarancji domniemanej lub wykluczenia/ograniczenia odpowiedzialności za szkody przypadkowe lub wtórne, toteż niektóre z powyższych ograniczeń mogą nie mieć zastosowania.

Bem-vindo a



**b•hyve™**

# TEMPORIZADOR INTELIGENTE WI-FI DE REGA



Manual do  
Utilizador

# Welcome to B-hyve™

A Natureza é uma maravilhosa jardineira, trabalhando sempre e incansavelmente consigo para cuidar da sua paisagem. As abelhas são um excelente exemplo deste notável e invisível esforço para ajudar as suas plantas a crescer. A colmeia é o ponto central onde se coordena este esforço e se dá a comunicação. Mesmo quando a natureza faz o seu magnífico trabalho, às vezes é necessário dar-lhe uma ajuda. É aqui que você entra! Quando liga o seu Temporizador Inteligente de Rega WiFi B-hyve à sua rede Wi-Fi, está a ligar-se à natureza. O clima local, em conjunto com algumas informações sobre a sua paisagem, irão trabalhar em conjunto para fornecer a quantidade certa de água às suas plantas, eliminando desperdícios e poupando-lhe dinheiro. Obrigado por se ligar e seja bem-vindo a B-hyve!

Tenha em mente que pode configurar o seu temporizador através da app. Mas se não tiver Wi-Fi ou apenas quiser fazer ajustes enquanto está no exterior, pode fazê-los diretamente no temporizador. As alterações que fizer no temporizador serão refletidas na app, e as que fizer na app serão refletidas no temporizador.

Além disto, a App tem também imagens e vídeos para o ajudar com as ligações Wi-Fi, a programação, com a rega inteligente e com outras questões gerais que possa ter.

Se não encontrar o que procura na App ou no site, por favor ligue para a nossa linha de apoio técnico.

## Ajuda

EUROPA E SUD AFRICA  
E-MAIL: INFO@ORBITEUROPE.COM  
SUD AMERICA  
TELEFONO:+56 2 22419718  
E-MAIL: FBENAVIDES@SERCORIEGO.CL  
www.orbitonline.com  
bhyve.orbitonline.com

PARA UM DESEMPENHO ÓPTIMO  
DO TEMPORIZADOR, LIGUE-O  
AO WIFI PARA QUE RECEBA  
AS ÚLTIMAS ATUALIZAÇÕES.

## Tabela de Conteúdos

### Peças

Temporizador de Rega.....	2
Controlos do Temporizador .....	2
Mostrador.....	3
App B-Hyve.....	3

### Instalação

Selecionar uma Localização.....	4
Montar o Temporizador .....	4
Ligar as Válvulas dos Aspersores.....	5
Ligar o Temporizador B-Hyve .....	5
Ligar à Energia Elétrica.....	6
Activating Bateria.....	6
Replacing the Bateria .....	7

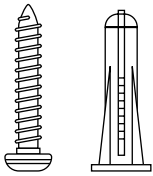
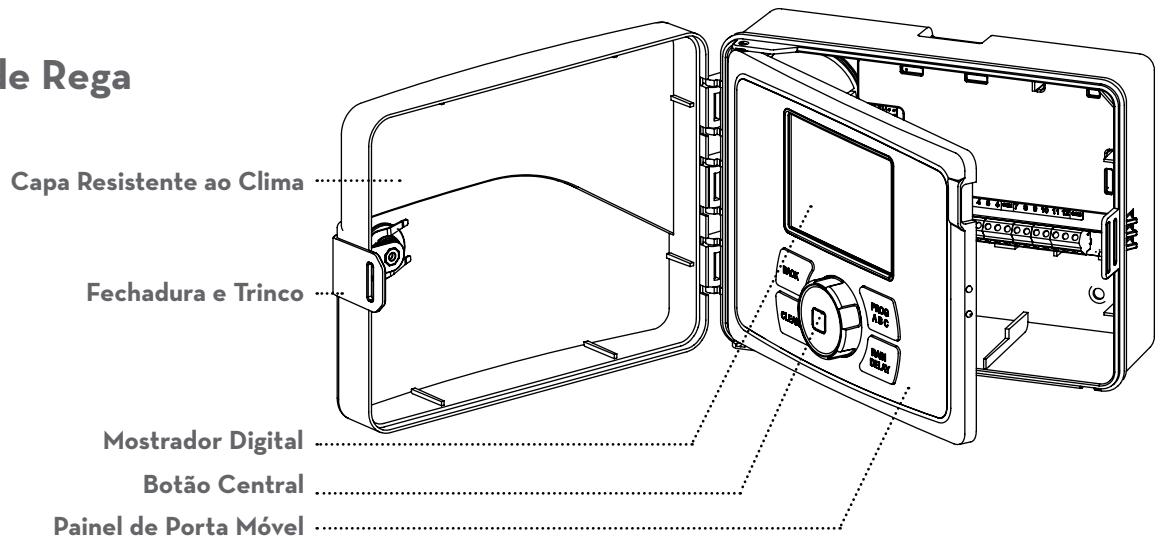
### Programar

Ligar ao Wi-Fi.....	7
PROG Botão ABC (PROG ABC) .....	8
Data/Hora.....	8
Hora de Início .....	9
Tempo de Funcionamento .....	9
Frequência .....	10
Auto .....	11

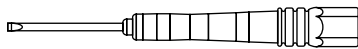
### Funções Adicionais

Paragem por Chuva.....	11
Orçamento.....	11
Manual.....	11
Sensor de Chuva.....	12
Arranque de Bomba & Master Valve.....	12
Glossário .....	12
Despiste de Problemas.....	13
Especificações.....	14

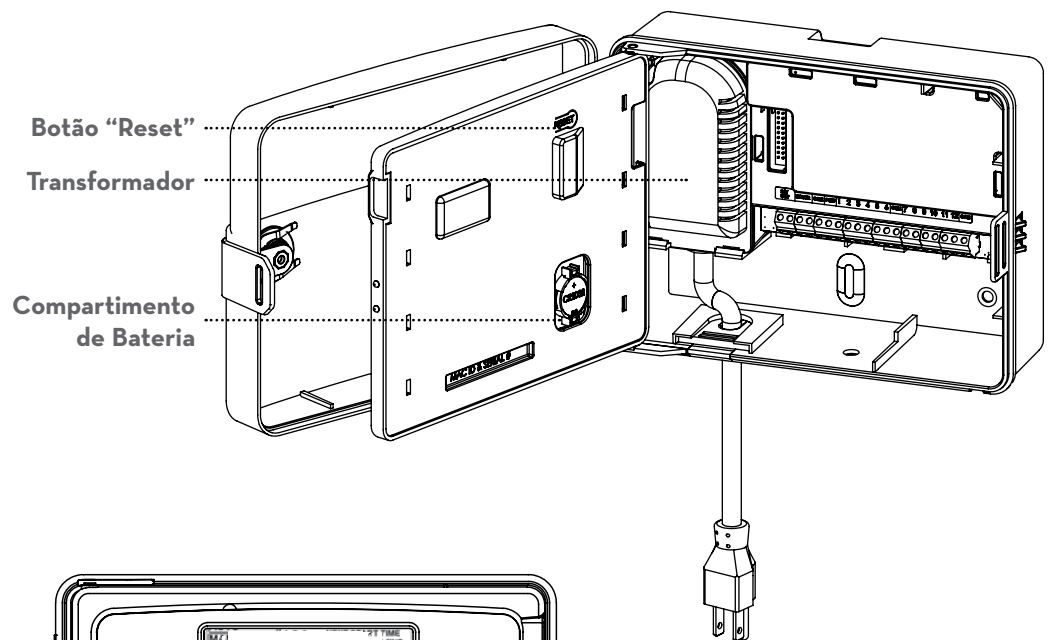
# Peças Temporizador de Rega



Ferragens de Instalação



Chave de Fendas



## Controlos do Temporizador

### BACK:

Para voltar um passo atrás ou voltar ao menu principal

*Nota:* O botão BACK pode ser premido duas vezes para voltar ao modo auto

### CLEAR:

Para apagar uma definição

*Nota:* O botão CLEAR pode também ser utilizado para cancelar a Paragem por Chuva, cancelar um programa em execução ou cancelar um ciclo de rega manual.

### BOTÃO CENTRAL:

Para navegar para cima ou para baixo, à direita ou à esquerda, e premir para confirmar uma seleção

*Nota:* Se a seleção do botão central for deixada em qualquer posição que não seja OFF, o mesmo será revertido para AUTO passados aproximadamente 20 segundos.

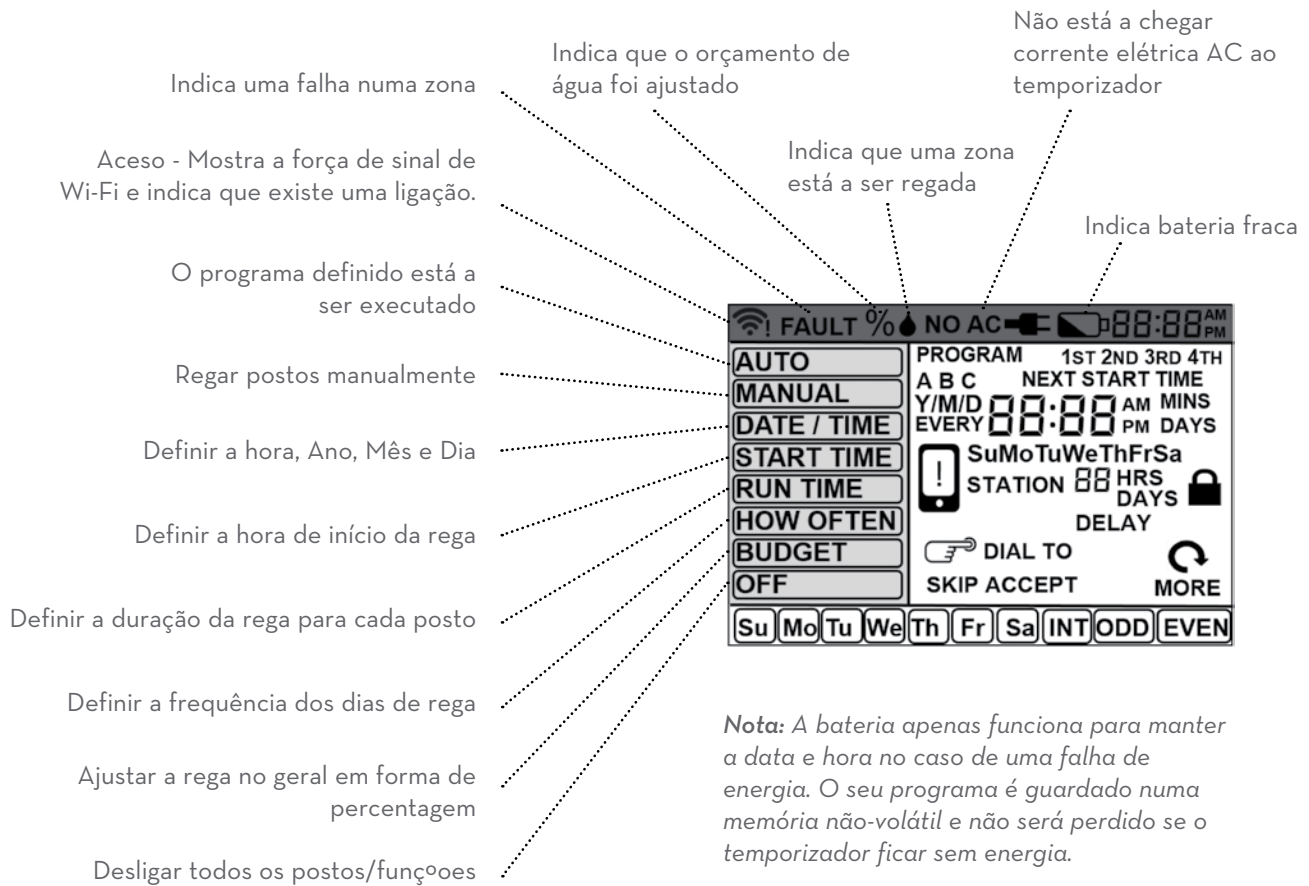
### PROG ABC:

Para ir para um programa diferente  
Veja a página 8 para mais detalhes

### PARAGEM POR CHUVA:

Para pausar a operação devido à chuva ou outros fatores. Ver página 11

# Mostrador Digital



*Nota: A bateria apenas funciona para manter a data e hora no caso de uma falha de energia. O seu programa é guardado numa memória não-volátil e não será perdido se o temporizador ficar sem energia.*

# B-hyve™ App

Será necessário que instale a app B-hyve™ e crie uma conta no seu dispositivo smart depois de instalar o temporizador.

*Nota: Existe um assistente na app para o ajudar durante a instalação inicial do seu temporizador de rega. Adicionalmente, existem ícones de ajuda por toda a app com mais informações e dicas úteis.*



## Instalação

### Selecionar uma Localização

Quando escolher uma localização para o seu temporizador, tenha em atenção o seguinte:

- Escolha um local próximo de uma tomada elétrica.
- Coloque-o num local onde exista bom sinal de Wi-Fi.

**Dica:** Pode verificar isto usando um smartphone. (Encontre um local que tenha no mínimo duas barras de sinal)

- Assegure-se de que a temperatura a que o dispositivo opera não são abaixo de 32°F ou acima de 158°F (abaixo de 0°C ou acima de 70°C).
- Posicione-o fora da luz solar direta.
- Assegure-se de que existem 9" (23 cm) de espaço livre à esquerda da caixa do temporizador de rega, isto permitirá que a porta se abra depois da instalação.
- É necessário que haja um acesso fácil às cablagens dos aspersores (das válvulas).



Sinal Mínimo

**Importante:** O temporizador é resistente ao clima segundo as normas UL-50 e ETL®. No entanto, não deve ser colocado em áreas onde a água corrente possa causar danos.

**Dica:** Se estiver a substituir um temporizador, é útil que tire uma fotografia das cablagens antes de as remover do temporizador antigo.

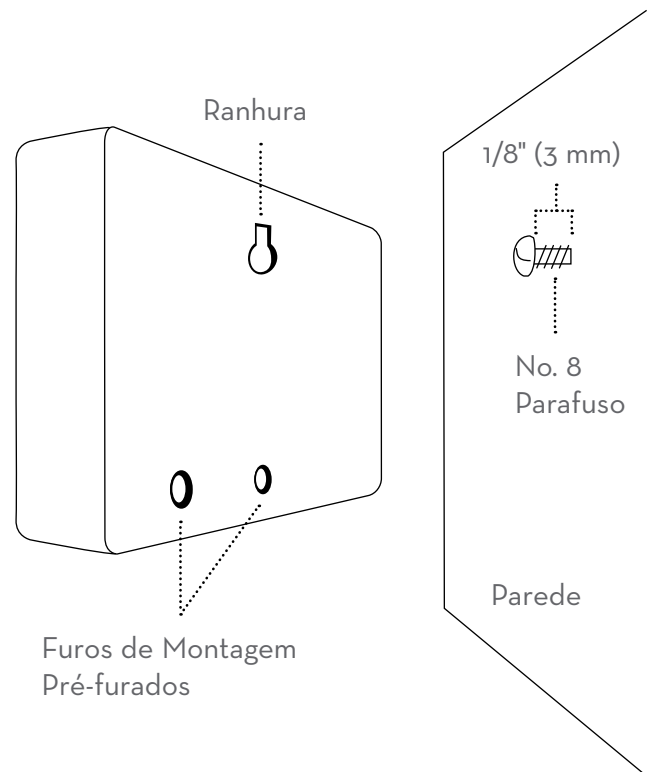
### Montar o Temporizador

Ferramentas Necessárias

- Pequena Chave de Fendas (incluída no pacote de ferramentas)
- Descarnador de Fio
- Berbequim com broca 3/16" (4.8mm)
- Nível

**Dica:** Use as buchas de expansão (incluídas) para instalações em paredes de reboco, alvenaria ou gesso.

1. Instale um parafuso nº 8 (incluído) na parede, deixando 1/8" (3mm) da cabeça do parafuso saída da parede.
2. Pendure o temporizador no parafuso instalado usando a ranhura localizada na parte superior traseira do armário.
3. Nivele o temporizador e instale o segundo parafuso num dos furos de montagem pré-furados localizados na parte inferior traseira do armário para segurar o temporizador.





## Ligar as Válvulas dos Aspersores

1. Descarne 1/2" (13mm) de isolamento plástico da ponta de cada cabo, para ambos os cabos da válvula e do temporizador de rega.
2. Ligue um cabo de cada válvula a um único cabo do aspersor "Comum" (COM) (geralmente, brancos).

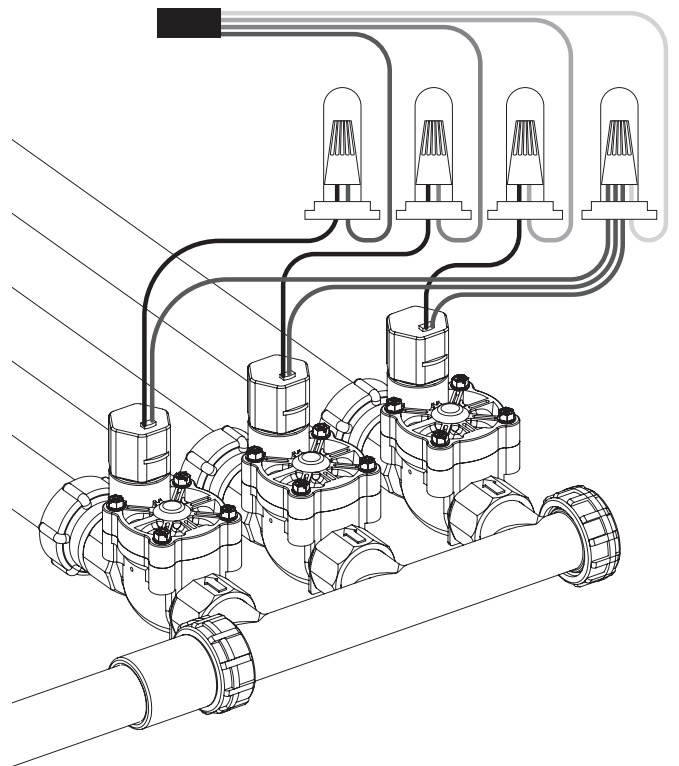
**Dica:** Não importa que cabo da válvula liga desde que seja pelo menos um por cada válvula.

3. Ligue os cabos restantes de cada válvula a um cabo colorido de um aspersor diferente que será ligado ao terminal no temporizador.

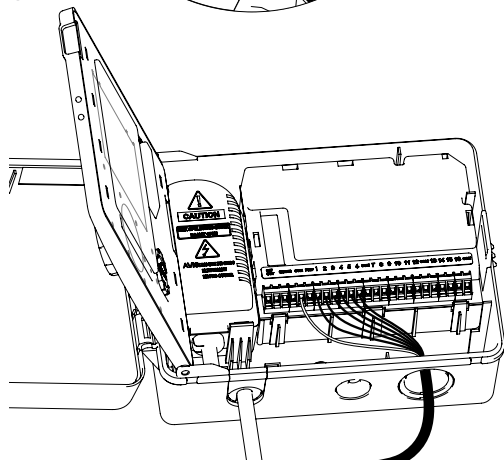
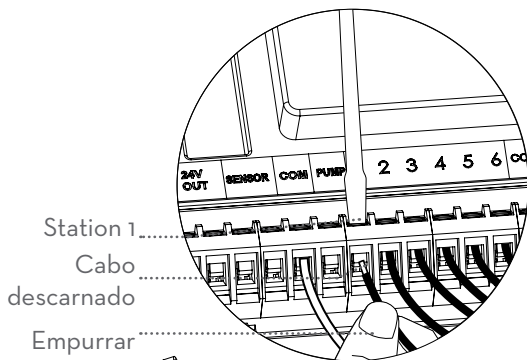
**Nota:** Se a distância entre o temporizador de rega e as válvulas for inferior a 700' (210m), use cabo de calibre 20 (AWG) para ligar o temporizador de rega às válvulas. Se a distância for superior a 700' (210m), use cabo de calibre 16 (AWG).

**Importante:** Todos os cabos devem ser ligados utilizando ligadores, solda e/ou fita de vinil. Em ambientes molhados como uma caixa de válvulas é recomendado usar Tampões de Proteção Orbit para prevenir a corrosão da ligação e protegê-la de infiltrações de água.

**Importante:** Os cabos podem ser enterrados no chão; no entanto, para uma maior proteção, os cabos podem ser puxados através de tubo de PVC e enterrados. Tome cuidado para evitar enterrar os cabos em sítios onde estes possam ser danificados por escavações ou perfurações no futuro.



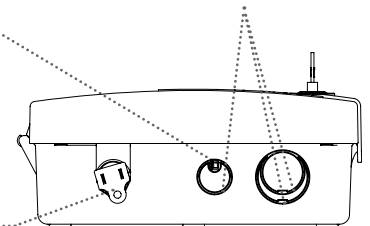
## Ligar o Temporizador B-Hyve



Pequeno furo - Para passar cabo de 5 ou 7 filamentos diretamente até à caixa

Orifício destacável para instalações com cablagens

Orifícios destacáveis de 1/2", 3/4" e 1" (13 mm, 20 mm e 25 mm) para sistemas maiores, com mais conjuntos de cabos



**Note:** We recommend you consult an electrician for hardwired installations.

1. Descarne 1/2" (13 mm) do isolamento plástico da ponta de cada cabo.
2. Desaperte os parafusos no terminal.
3. Empurre o cabo comum até ao terminal comum e, usando a chave de fendas incluída, aperte o parafuso até que o terminal segure o fio.
4. Insira e aperte os cabos restantes nas localizações de terminal correspondentes.

**AVISO:** Para evitar riscos elétricos, apenas uma válvula deve ser ligada a cada terminal (posto)..

**Importante:** A carga máxima para cada posto/bomba é 250mA, a carga máxima para o temporizador é 500mA.

## Ligar à Corrente Elétrica

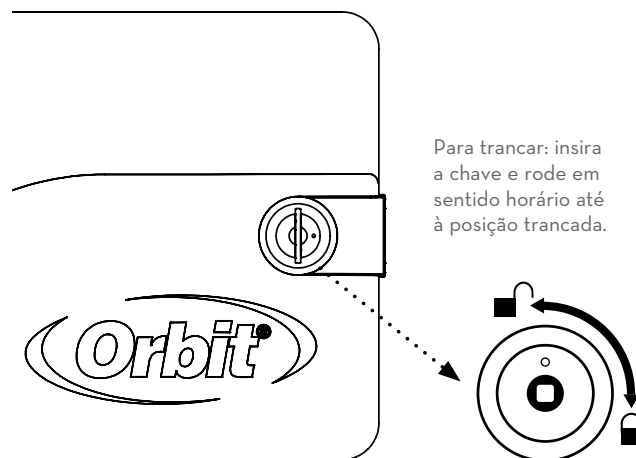
Uma vez que o seu temporizador B-hyve™ tenha sido ligado a uma fonte de energia, irá automaticamente tentar emparelhar-se com o seu dispositivo smart. No canto superior esquerdo do mostrador do temporizador, o ícone de Wi-Fi irá iniciar uma sequência de piscar gradualmente. Isto indica que o seu temporizador está pronto a ser emparelhado com um dispositivo smart. Veja a página 17 para mais detalhes sobre como emparelhar o temporizador.

Se montado num local de exterior, feche a porta do compartimento para manter o temporizador a salvo de danos causados pela água.

**Locais de Interior**—Insira o cabo elétrico numa tomada de 110V.

**Locais Exteriores**—Insira o cabo elétrico numa tomada de disjuntor FI de 110V.

**Importante:** Recomendamos que consulte um electricista para instalações com cablagens.



Para trancar: insira a chave e rode em sentido horário até à posição travada.

## Ativar a Bateria

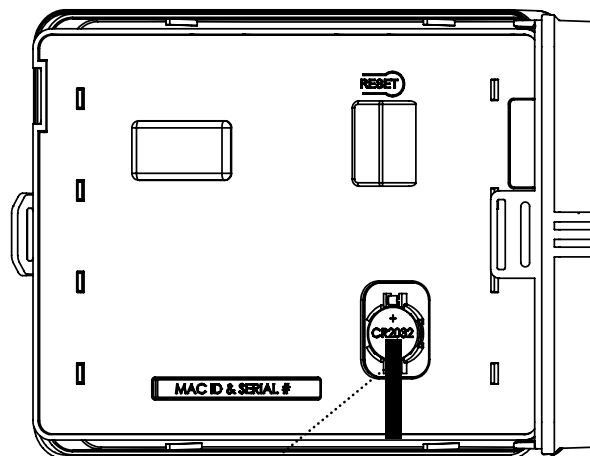
- O temporizador inclui uma bateria de lítio CR2032.
- A bateria irá manter a sua data e hora em caso de uma falha de corrente elétrica.
- Recomendamos uma substituição anual para evitar a perda de programações.

*Nota:* A bateria, por si só, não irá operar as válvulas do seu sistema de rega. O temporizador de rega tem um transformador embutido que deve ser ligado a uma fonte de corrente elétrica.

**⚠ AVISO: Risco de Incêndio, Explosão e Choque Elétrico.** Substitua a bateria apenas por uma Hitachi Maxell Ltd, Mod CR2032. A utilização de uma bateria diferente pode potenciar o risco de incêndio, explosão ou choque elétrico.

**⚠ AVISO: Perigo de Queimadura Química.** Mantenha as baterias afastadas do alcance das crianças.

**⚠ AVISO: Este produto contém uma bateria de pilha de botão/célula.** Se uma bateria de lítio de botão/célula, nova ou usada, for engolida ou entrar no corpo, pode causar queimaduras intraanais severas e levar à morte em apenas 2 horas. Proteja sempre completamente o compartimento da bateria. Se o compartimento da bateria não fechar com segurança, pare de usar o produto, remova as baterias e mantenha tudo afastado de crianças. Se acha que as baterias podem ter sido engolidas ou postas dentro de alguma parte do corpo, procure imediatamente ajuda médica.



Remova a tira de plástico para ativar a bateria.

## Substituir a Bateria

- Para remover, levante no canto da pilha de botão. NÃO USE uma chave de fendas ou outro objeto metálico.
- Insira uma nova bateria CR2032 em ângulo e pressione para fixar a bateria no local (até ouvir um clique).
- Verifique que o lado + está para cima.

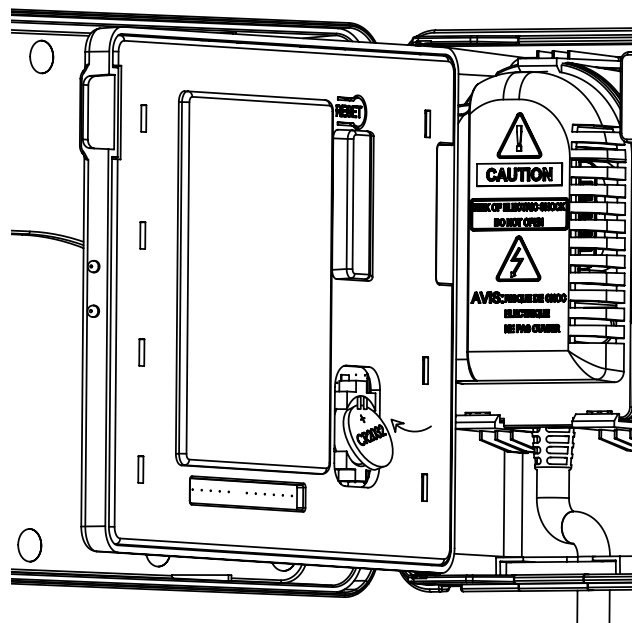
*Nota: Uma bateria fraca, ou em falta, pode causar que a data e hora sejam apagadas depois de uma falha de corrente. Se isto acontecer, vai precisar de instalar uma bateria completamente carregada.*

**Importante:** Se, por alguma razão, a sua programação se perder, o programa anti-falha instalado de fábrica irá ligar cada posto todos os dias por 10 minutos.

**⚠AVISO:** O temporizador deve ser desligado do geral de corrente quando remover a bateria.

**⚠AVISO:** PERIGO DE EXPLOSÃO SE A BATERIA FOR INCORRETAMENTE SUBSTITUÍDA. SUBSTITUA APENAS PELO MESMO MODELO, OU EQUIVALENTE, RECOMENDADO PELO FABRICANTE. DESFAÇA-SE DE BATERIAS USADAS SEGUNDO AS INSTRUÇÕES DO FABRICANTE.

*Nota: As baterias devem ser descartadas apropriadamente.*



## Programar Ligar ao Wi-Fi

A programação do temporizador pode ser feita quer esteja ou não ligado ao Wi-Fi. Permite ao jardineiro que se esqueceu do telefone dentro de casa pôr a funcionar um ciclo manual, ou ajustar a programação como fo necessário e manter as mãos sujas afastadas do telefone. De outra forma, a programação deve ser feita seguindo as instruções incluídas na app.

### 1. Instale a App B-hyve

Se ainda não o fez, instale a App B-hyve e crie uma conta no seu dispositivo smart.

### 2. Insira as suas configurações Wi-Fi

O temporizador B-hyve™ criará a sua própria rede, aparecendo na lista de redes Wi-Fi disponíveis do seu dispositivo smart. Ligue-se à rede Orbit Smart Home e depois regresse à App Orbit B-hyve™.

*Nota: Pode ser necessário que apague o temporizador de um dispositivo smart. Vá às configurações para desautorizar o temporizador, após o que lhe será pedida uma confirmação para o eliminar.*

*Encontre Orbit\_SmartHome\_XXXX na sua lista de Wi-Fi.*

Depois de regressar à app, verá uma lista das redes disponíveis. Escolha a sua rede e insira a palavra-passe da mesma para ligar o seu temporizador ao sinal de Wi-Fi. Quando estiver ligado, o ícone de Wi-Fi no temporizador irá parar de piscar e mostrar linhas sempre acesas.

**Dica:** Pode re-emparelhar o seu dispositivo smart com o seu temporizador B-hyve™ girando o botão central para “Off” e premindo o botão de “reset” na parte traseira do painel amovível. O mostrador do temporizador irá mostrar “Pair” (“Emparelhar”).

*Nota: Pressione a patilha “Reset” na parte traseira do painel amovível para eliminar qualquer programação de fábrica anterior.*

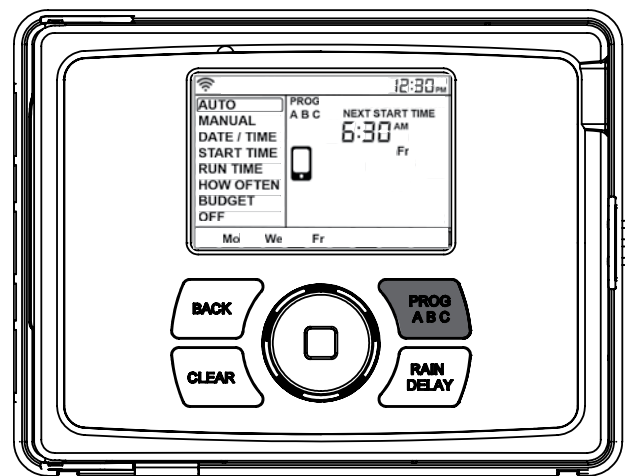
## Botão PROGRAMA (PROG ABC)

O seu temporizador de rega possibilita-lhe a flexibilidade de usar 3 programas independentes (A,B,C). Um programa é onde armazena todas as configurações do seu sistema de rega. Consiste num grupo de postos definidos para horas de início e tempos de funcionamento específicos. Os vários programas permitem-lhe operar diferentes válvulas, em diferentes dias e tempos de operação. Enquanto muitas aplicações apenas requerem um programa (A), usar vários programas pode ser útil para áreas de rega gota-a-gota, relvado recém-plantado ou postos de aspersores rotativos. Usar programas para agrupar postos com necessidades de água semelhantes irá maximizar a eficiência da irrigação.

**Por exemplo:** pode definir as suas zonas de relvado para que sejam regadas no programa A, os canteiros de flores para o programa B e o jardim no programa C. Ou pode definir as suas zonas para utilizar uma rega inteligente e o temporizador irá utilizar o clima local e a informação sobre o mesmo para definir automaticamente os horários de rega.

O botão PROG ABC alterna entre programas quando estiver a definir ou modificar as horas de início, tempo de funcionamento, duração e orçamento.

1. Pressione PROG ABC para ligar ou desligar programas que já tenham sido configurados. A, B, C ou Smart irão iluminar-se para indicar os programas que estão ativos e regar.



2. Para regar apenas em modo inteligente (smart), o ícone de Telefone é o único programa que deve aparecer no mostrador.

**Nota:** Se não vir a letra do programa (A, B, C ou o telefone) no mostrador, esse programa não irá regar. Pressione PROG ABC até que veja o(s) programa(s) com que deseja regar.

**Nota:** Mantenha-se sempre atento ao programa em que está (A, B ou C) quando estiver a fazer alterações.

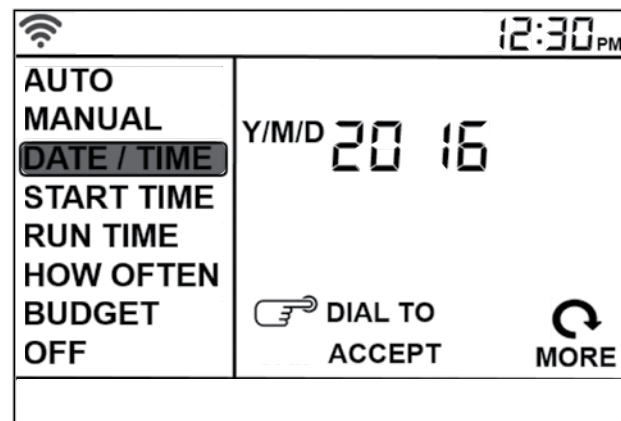
## Data/Hora

Se estiver ligado ao Wi-Fi, a data e hora serão automaticamente enviadas para o temporizador de rega. Para configurar manualmente a data e hora, siga estas instruções:

3. Gire o botão central até que a caixa de seleção esteja em DATA/HORA (DATE/TIME).
4. Pressione o botão central. Irá agora ver o Y (Ano) a piscar.
5. Gire o botão central até que o ano atual seja exibido.
6. Pressione o botão central para confirmar o ano. Irá ver agora o M (Mês) a piscar.
7. Repita os passos 3 e 4 para inserir o mês e o dia.
8. Depois de ter confirmado o dia, a hora começará a piscar.
9. Gire o botão central até que a hora atual seja mostrada.

**Nota:** Continue a girar o botão central para alternar entre AM (Manhã 00:00 -> 11:59) e PM (Tarde 12:00 -> 23:59). É importante que verifique que se a seleção am ou pm está correta.

10. Pressione o botão central para confirmar a hora.
  11. Repita os passos 7 e 8 para os minutos
- A sua data e hora estão agora definidas.



## Hora de Início

Esta será a hora do dia que programou para o início da rega. A primeira zona começará a ser regada na 1ª hora de início. Pode definir até 4 horas de início. Quando uma hora de início for definida antes do término do programa anterior, ela será “acumulada” ou atrasada, e irá iniciar-se após a conclusão do programa anterior.

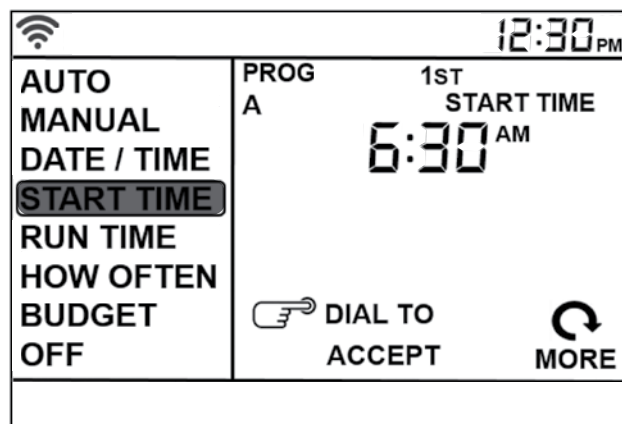
**Dica:** É necessária apenas uma hora de início para executar a rega em todas as suas zonas.

1. Gire o botão central até que a caixa de seleção esteja em HORA DE INÍCIO (START TIME).
2. Pressione o botão central. Verá agora os riscos da hora (--) a piscar.
3. Gire o botão central até alcançar a hora de início que deseja.

**Nota:** Continue a girar o botão central para alternar entre AM (Manhã 00:00 -> 11:59) e PM (Tarde 12:00 -> 23:59). É importante que verifique que se a seleção am ou pm está correta.

4. Pressione o botão central para confirmar a hora de início. Irá agora ver os riscos de minutos (--) a piscar.
5. Gire o botão central até alcançar os minutos da hora de início que deseja.
6. Pressione o botão central para confirmar os minutos da hora de início.

**Nota:** Após premir o botão central, o temporizador irá avançar automaticamente para a 2ª hora de início. Se forem necessárias horas de início adicionais, repita o processo. As horas de início adicionais são úteis para ajudar a evitar a drenagem e permitir que o solo tenha tempo para absorver a água.



**Exemplo:** O Bill acabou de semear relva e quer regá-la três vezes ao dia. Ele configura a HORA DE INÍCIO (START TIME) 1 para as 05:00 am, a HORA DE INÍCIO (START TIME) 2 para o 12:00 pm, e a HORA DE INÍCIO (START TIME) 3 para as 17:00 (5 pm). Ele também define a FREQUÊNCIA (HOW OFTEN) em INT (intervalo) A CADA 1 DIA (EVERY 1 DAYS) (veja na secção 3, FREQUÊNCIA). No modo AUTO o sistema irá regar 3 vezes por dia. Uma vez que as sementes de Bill estejam já bem estabelecidas, ele pode LIMPAR (CLEAR) as horas de início 2 e 3 e voltar a regar apenas uma vez por dia.

- Pressione PROG ABC para configurar as horas de início para programas adicionais e repita os passos acima.

## Tempo de Funcionamento

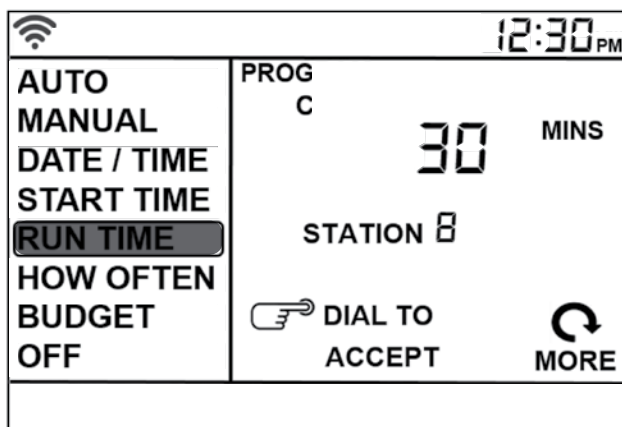
Aqui é onde define por quanto tempo cada posto de rega irá funcionar. O posto é a área ou zona que será regado por cada válvula.

7. Gire o botão central até que a caixa de seleção esteja em RUN TIME (TEMPO DE FUNC).
8. Pressione o botão central. Verá agora o número de STATION (POSTO) a piscar.
9. Gire o botão central até alcançar o número da zona que quer programar.
10. Pressione o botão central para confirmar a zona. Verá agora os MINS (minutos) a piscar.
11. Gire o botão central até alcançar a duração desejada para essa zona.
12. Pressione o botão central para confirmar a duração do funcionamento.

**Nota:** O seu temporizador irá avançar automaticamente para o próximo posto e os MINS estarão a piscar.

13. Repita os passos 5 e 6 para cada zona que deseje programar.
- Se desejar configurar zonas em diferentes programas (A B ou C), prima o botão PROG ABC até que o programa desejado seja mostrado e repita os passos acima.

**Nota:** Prima o botão BACK (VOLTAR) para retornar ao menu LCD principal.



## Frequência

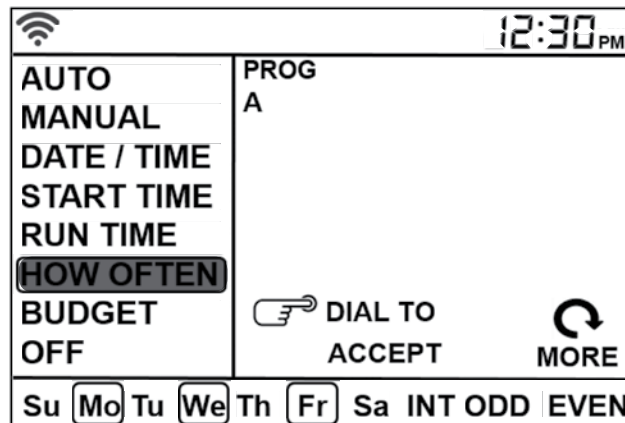
Existem três opções para determinar a frequência (que dias ou intervalos) o temporizador irá regar.

- Dias da semana (Seg, Ter, Qua, etc.)
- Intervalos (A cada "X" número de dias)
- Dias Pares ou Ímpares

## Dias da Semana

1. Gire o botão central até que a caixa de seleção esteja em HOW OFTEN (FREQUÊNCIA).
2. Pressione o botão central. Verá agora Su (Domingo) a piscar.
3. Gire o botão central até alcançar o dia que deseja a piscar.
4. Pressione o botão central para confirmar a sua seleção e uma caixa aparecerá em volta do dia selecionado.
5. Repita este processo até ter todos os dias de rega desejados com uma caixa em volta deles.
6. Prima BACK (VOLTAR) para regressar ao menu principal.
7. Gire o botão centra até Auto e pressione-o para selecionar. Programou o seu temporizador!

- Para remover um dia inserido previamente, gire o botão central até esse dia e pressione-o para desmarcar o dia.
- Se desejar eliminar todos os dias de rega, prima o botão CLEAR (LIMPAR).

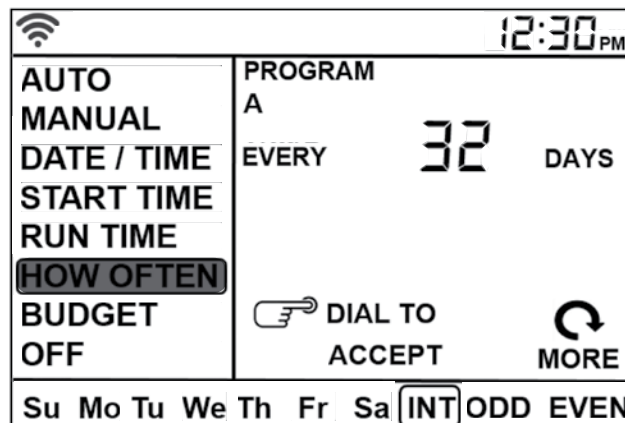


## Intervalos

1. Gire o botão central até que a caixa de seleção esteja em HOW OFTEN (FREQUÊNCIA).
2. Pressione o botão central. Verá agora Su (Domingo) a piscar.
3. Gire o botão central para INT.
4. Pressione o botão central para confirmar. Aparecerá uma caixa em volta de INT e CADA 1 DIA (EVERY 1 DAYS) no mostrador. "1" estará a piscar e é o intervalo padrão.
5. Gire o botão central para aumentar o número, e pressione-o quando o número desejado de dias entre regas for alcançado.

*Exemplo: Um intervalo de 1 rega todos os dias; um intervalo de 3 irá regar a cada 3 dias, etc.*

6. Prima BACK (VOLTAR) para regressar ao menu principal.
7. Gire o botão centra até Auto e pressione-o para selecionar. Programou o seu temporizador!



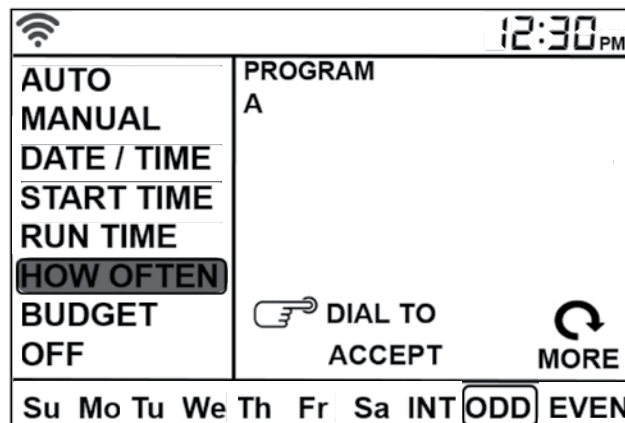
## Dias Pares ou Ímpares

1. Gire o botão central até que a caixa de seleção esteja em HOW OFTEN (FREQUÊNCIA).
  2. Pressione o botão central. Verá agora Su (Domingo) a piscar.
  3. Gire o botão central para ODD (ÍMPAR) ou EVEN (PAR).
- Pressione o botão para confirmar. Irá aparecer uma caixa em torno de ODD ou de EVEN.

*Exemplo: Ímpar: 1º, 3º, 5º, etc.*

*Exemplo: Par: 2º, 4º, 6º, etc.*

4. Prima BACK (VOLTAR) para regressar ao menu principal.
5. Gire o botão centra até Auto e pressione-o para selecionar. Programou o seu temporizador!





## Auto

O temporizador deve estar em modo AUTO durante a época de irrigação e em OFF durante os meses de inverno ou de não-irrigação.

Gire o botão central para a posição AUTO e pressione-o, ou deixe-o apenas ficar em posição para o manter em AUTO.

Se a seleção do botão central for deixada em qualquer outra posição que não OFF, esta será revertida para AUTO ao fim de aproximadamente 20 segundos.

Para desligar o seu temporizador, gire o botão central para OFF e pressione-o, ou deixe-o estar apenas na posição OFF.

**Dica:** Pode alterar para off ou auto com a APP.

## Funções Adicionais

### Paragem por chuva

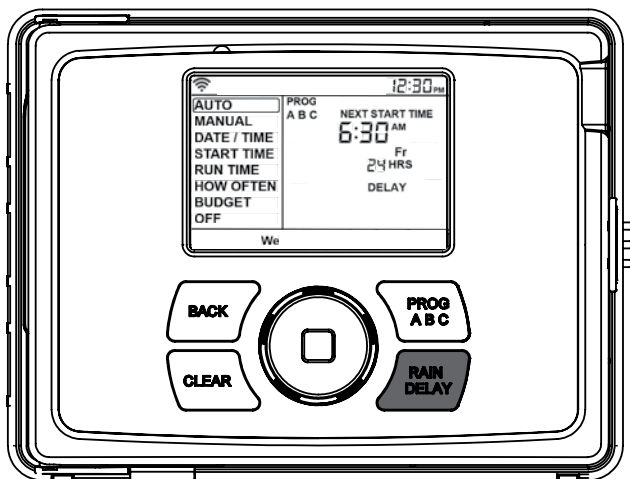
O botão de Paragem por Chuva (Rain Delay) pode ser usado para impedir o seu temporizador de regar num período de 1 a 32 dias. No final do período de paragem por chuva, a rega automática prossegue.

1. Assegure-se de que o temporizador está definido para AUTO.
2. Prima o botão de Paragem por Chuva (Rain Delay) para atrasar automaticamente a rega por 24 horas.

**Nota:** Se desejar uma Paragem por Chuva mais prologada, prima o botão "rain delay" (paragem por chuva) repetidamente ou gire o botão central até alcançar o número de dias de paragem desejados.

- Enquanto estiver em modo de paragem por chuva, o temporizador irá mostrar o número de dias ou horas de paragem por chuva restantes.
- Para cancelar uma paragem por chuva, prima o botão CLEAR (LIMPAR) e os horários de rega irão ser retomados.
- Para ativar ou desativar os terminais do sensor de chuva, prima e mantenha premido o botão RAIN DELAY (PARAGEM POR CHUVA) durante 5 segundos.

**Nota:** Esta função é útil para contornar o sensor se for necessário regar antes de o mesmo estar seco e da rega ser retomada.



## Orçamento

O orçamento para a água torna fácil alterar todos os seus horários de funcionamento sem ter de os alterar um a um. É perfeito para ajustar todas as zonas às mudanças sazonais.

A margem de ajuste é de 10% a 200%, com aumentos de 10%. O valor padrão é 100%, o que significa que o seu temporizador irá regar cada zona pelo número exato de minutos que inseriu como tempo de funcionamento. O orçamento manter-se-á na margem ajustada até que a altere.

1. Gire o botão central até que a caixa de seleção esteja em budget (orçamento).

2. Pressione o botão central. Verá agora números a piscar.

Nota: 100 é o número por defeito.

3. Para ajustar, gire o botão central até à percentagem de orçamento que deseja. Ajustar o orçamento aplicará a percentagem escolhida a todos os tempos de funcionamento num programa.

**Exemplo:** Se tiver definido zonas a serem regadas por 10 minutos e ajustar o orçamento de 100% para 150%, essas mesmas zonas serão regadas por 15 minutos sem que tenha de o alterar a cada rega.

4. Pressione o botão central para confirmar a seleção. Se estiver a configurar programas adicionais (A B ou C), prima o botão PROG ABC até que o programa desejado apareça e repita este processo.

## Manual

O seu temporizador possibilita-lhe regar manualmente sem perturbar o programa pré-definido. O modo Manual é usado para testar zonas ou executar um ciclo extra de rega para uma zona, um programa ou para todas as zonas.

Para regar todas as zonas

1. Gire o botão central até que a caixa de seleção esteja em MANUAL.

2. Pressione o botão central. Verá agora ALL (TODAS) no mostrador.

3. Pressione o botão novamente. Verá agora um 0 a piscar.

4. Gire o botão central até que a duração de rega manual desejada seja alcançada.

5. Pressione o botão central para iniciar a rega.

**Nota:** Se o tempo de funcionamento manual não for definido, o temporizador não iniciará a rega manual e o mostrador voltará à hora atual.

Para regar programa(s) específico(s) - A, B ou C

1. Gire o botão central até que a caixa de seleção esteja em MANUAL.

2. Pressione o botão central. Verá agora ALL (TODAS) no mostrador.

3. Gire o botão central até que o(s) programa(s) com que deseja regar sejam mostrados (todos ABC, ou A, B ou C individualmente).

4. Pressione o botão central para iniciar a rega com o programa selecionado.

Para regar uma zona específica

1. Gire o botão central até que a caixa de seleção esteja em MANUAL.
2. Pressione o botão central. Verá agora ALL (TODAS) no mostrador.
3. Gire o botão até passar os programas A, B, C e chegar a STATION 1 (POSTO 1). Pressione o botão. Verá agora um 0 e MINS no mostrador.
4. Gire o botão central até que o posto que quer regar apareça no mostrador.
5. Pressione o botão. O "0" irá piscar uma vez.
6. Gire o botão central até que apareça o número de minutos em que deseja regar o posto.
7. Pressione o botão para iniciar a rega no programa selecionado.

**Exemplo:** Para regar manualmente a zona 3 durante 5 minutos, gire o botão central para [MANUAL] e pressione-o. Gire o botão central até ver o posto (station) 6 ou 12, prima o botão e gire-o até ver o posto (station) 3, premindo novamente o botão. Gire o botão até que apareçam cinco minutos no mostrador e prima-o.

**Nota:** Enquanto o posto que programou manualmente está a ser regado, pode programar mais que uma zona específica usando este processo. Repita os passos para a seleção de zona e duração da rega para regar zonas adicionais.

Para parar a rega manual prima CLEAR (LIMPAR).

## Sensor de Chuva

Ligue os cabos do sensor de chuva aos terminais de ligação marcados como "Sensor".

**Nota:** Veja o manual do seu sensor de chuva para obter instruções de ligação de cabos específicas.

Contornar o Sensor de Chuva

O temporizador de rega está equipado com um botão "on/off" para se sobrepor ao sensor. Serve para ser usado durante manutenções e reparações, para que o temporizador de rega possa ser operado mesmo quando o sensor de chuva está em modo ativo. Para sobrepor ao sensor, prima e mantenha premido o botão Rain Delay (Paragem por Chuva) durante 5 segundos.

O mostrador exibirá agora SENS e OFF ou SENS e ON.

**Importante:** Se o sensor de chuva estiver "on" e nenhum sensor estiver ligado, o temporizador de rega não irá funcionar. Para retomar o funcionamento do temporizador de rega, prima e mantenha premido o botão Rain Delay (Paragem por Chuva) durante 5 segundos, ou ligue novamente o cabo de ligação aos terminais do sensor.

## Arranque de Bomba e Válvula Mestra

Este temporizador de rega permite que uma válvula mestra ou relé de arranque de bomba funcione sempre que um posto está ligado.

**Nota:** Se estiver a ativar uma bomba a partir deste temporizador, deve comprar um Relé de Arranque de Bomba. A partir do relé de arranque de bomba (ou válvula mestra); ligue um cabo até ao terminal "Pump" ("Bomba") e o outro cabo ao terminal "Common" ("Comum").

## Glossário

### HORA DE INÍCIO

A hora a que é iniciado o programa de rega da primeira estação programada.

### VÁLVULA

Fornece água a um determinado posto ou área. A abertura e o fecho da válvula são conseguidos através da corrente elétrica fornecida pelo temporizador de rega.

### VÁLVULA MESTRA

Geralmente localizada na fonte de água principal. Liga e desliga o fornecimento de água a todo o sistema de irrigação quando não está a uso.

### VÁRIAS HORAS DE INÍCIO

Função de controle que permite que um programa funcione várias vezes no mesmo dia de rega.

### PROGRAMAS SOBREPOSTOS

Quando uma "Hora de Início" está definida para iniciar um programa antes de o programa anterior ter terminado.

### PROGRAMA (A, B ou C)

Programas individuais definidos pelo utilizador. Cada programa funciona de forma independente. Se um programa se sobrepuser a outro os programas serão "acumulados". Depois do término do primeiro programa, o programa seguinte terá início.

### PARAGEM POR CHUVA

Função que atrasa o funcionamento de um programa de rega agendado durante um período específico.

### SOLENOÍDE

Parte elétrica de uma válvula de irrigação que a abre e fecha.

### TEMPORIZADOR DE REGA

Dispositivo que dá instruções às válvulas de posto para que funcionem.

### POSTO

Grupo de aspersores operados por uma única válvula que é controlada pelo temporizador.

### ORÇAMENTO DE ÁGUA

Ajusta o programa de rega no geral a uma percentagem da duração total da rega.

## Despiste de Problemas

<b>Problema</b>	<b>Causa possível</b>
Uma ou mais válvulas não ligam	1. Ligação deficiente do solenóide
	2. Cablagem danificada ou desligada
	3. Controle de vazão aperdado, desligando a válvula
	4. Programação incorreta
Os postos ligam-se quando não é suposto	1. A pressão da água está demasiado elevada
	2. Mais de uma hora de início programada
	3. AM/PM (Manhã/Tarde) incorreto
Um posto está bloqueado e não se desliga	1. Válvula defeituosa
	2. Partículas de terra ou sujidade presas na válvula
	3. Diagrama da válvula danificado
Nenhuma válvula se liga	1. Transformador com defeito ou desligado
	2. Programação incorreta
O temporizador não se liga	1. Transformador não está ligado a uma tomada com corrente
As válvulas continuam a ligar-se e desligar-se quando não estão programadas	1. Mais de uma hora de início está programada, com agendamentos sobrepostos
	2. Pressão em excesso
O mostrador dis “Falha” (“Fault”) e pisca o número de uma zona	1. Curto-circuito no cabo
	2. Curto-circuito no solenóide

# Especificações

Potência de corrente:

Austrália—240V AC 50/60Hz 0.15A

Europa—230V AC 50/60Hz 0.15A

EUA—120V AC 60Hz 0.15A

Carga máxima:

AUS & EU - 24V AC 1 Amp 50/60 Ciclo

EUA—24V AC 750 mA 60Hz

Intervalo de Temperatura em Funcionamento:

Funcionamento: 32-167° F (0-75° C)

Armazenamento e transporte: 32-176° F (0-80° C)

Intervalo de Humidade em Funcionamento:

Funcionamento: 0-80%

Armazenamento e transporte: 0-90%

Altitude: 6,500' (2,000 metros)

Classificação IPX5

Classe de Instalação II

Categoria de Sobre-Tensão II

**⚠ AVISO: A bateria deve ser removida do temporizador antes de este seja desmontado.**

## Ajuda

Se a app e o site não tiverem resposta ao que procura, por favor ligue para a nossa linha de apoio técnico antes de devolver este temporizador de rega à loja.

EUROPA E SUD AFRICA

E-MAIL: INFO@ORBITEUROPE.COM

SUD AMERICA

TELEFONO:+56 2 22419718

E-MAIL: FBENAVIDES@SERCORIEGO.CL

www.orbitonline.com | bhyve.orbitonline.com

## Normas

O temporizador de rega foi testado pelos padrões UL-50 e está na lista ETL®.

Desligamento: Tipo 1Y

Situação Normal de Poluição.

O cabo de alimentação deste controle só pode ser substituído pelo fabricante ou um representante de serviço autorizado.

**Nota:** Este equipamento foi testado e dado como conforme com os limites para um dispositivo digital de Classe B, de acordo com a Parte 15 das Regras FCC. Estes limites foram concebidos para fornecer uma proteção razoável contra interferências nefastas em instalações residenciais. Este equipamento gera, utiliza e pode irradiar energia de radiofrequência e, caso não seja instalado e utilizado de acordo com as instruções, pode causar interferências nefastas nas comunicações via rádio. De todo o modo, não existe nenhuma garantia de que não haverão interferências numa instalação em particular. Se este equipamento causar interferências nefastas na recepção de rádio ou televisão, que podem ser determinadas ao ligar e desligar o equipamento, encorajamos o utilizador a tentar corrigir a interferência adotando uma ou mais das seguintes medidas:

- Re-orientar ou reposicionar a antena de recepção.
- Aumentar a separação entre o equipamento e o recetor.
- Ligar o equipamento a uma tomada ou circuito diferentes dos em que está ligado o recetor.
- Consultar o vendedor ou um técnico de TV/ rádio experiente para obter ajuda.

**Atenção:** Este aparelho não se destina a ser usado por crianças pequenas ou pessoas doentes sem supervisão. As crianças pequenas devem ser supervisionadas para que exista a certeza de que não brincam com este aparelho.

**INFORMAÇÃO IMPORTANTE SOBRE OS SEUS DIREITOS E OBRIGAÇÕES, BEM COMO SOBRE AS LIMITAÇÕES E EXCLUSÕES QUE SE PODERÃO APLICAR A SI.**

### 1. OS SEUS DIREITOS E ESTA GARANTIA LIMITADA

Esta Garantia Limitada dá-lhe direitos legais específicos. Pode ter também outros direitos legais que variam consoante o estado, província ou jurisdição. As isenções, exclusões e limitações de responsabilidade ao abrigo desta Garantia Limitada só se aplicam até onde explicitamente proibido pela lei aplicável. Para uma descrição completa dos seus direitos legais, deve ter como referência as leis aplicáveis na jurisdição onde se encontra e pode querer consultar um serviço reputado de defesa do consumidor.

### 2. O QUE COBRE ESTA GARANTIA LIMITADA; PERÍODOS DE COBERTURA

Orbit Irrigation Products, Inc. ("Orbit") garante ao proprietário do produto em anexo que o produto contido nesta embalagem ("Produto") está isento de defeitos nos seus materiais e no fabrico por um período de dois (2) anos contados a partir da data de entrega que se segue à compra original a um retalhista ("Período de Garantia"). Se o produto falhar em estar conforme esta Garantia Limitada durante o Período de Garantia, a Orbit irá, segundo os seus próprios critérios: (a) reparar ou substituir qualquer Produto ou componente defeituoso; ou (b) aceitar a devolução do Produto e reembolsar o valor monetário de facto pago pelo comprador original do Produto. A reparação ou substituição poderão ser feitas com um produto ou componentes novos ou reconicionados, segundo os critérios próprios da Orbit. Se o Produto ou um componente nele incorporado já não se encontrarem disponíveis, a Orbit poderá substituir o Produto com um produto idêntico ou de função similar, segundo os seus critérios próprios. Esta é a única solução para a quebra desta Garantia Limitada. Qualquer Produto que tenha sido reparado ou substituído ao abrigo desta Garantia Limitada estará coberto pelos termos desta Garantia Limitada por um período não superior a trinta (30) dias contados a partir da data de entrega ou pelo remanescente do Período de Garantia. Esta Garantia Limitada é transferível do comprador original para os proprietários subsequentes, mas o Período de Garantia não será prolongado em duração ou terá coberturas alargadas por tal transferência.

### 3. CONDIÇÕES DA GARANTIA; COMO OBTER REPARAÇÕES SE QUISER RECLAMAR AO ABRIGO DESTA GARANTIA LIMITADA

Antes de poder reclamar ao abrigo desta Garantia Limitada, o proprietário do produto deve notificar a Orbit da sua intenção de reclamar, ao visitar [www.orbitonline.com/contact](http://www.orbitonline.com/contact) durante o Período de Garantia e fornecer uma descrição da alegada falha, e cumprir com as instruções de envio de devoluções da Orbit. A Orbit não tem quaisquer obrigações de garantia com respeito a um Produto devolvido se se determinar, com critérios razoáveis depois de examinar o Produto, que o Produto é um Produto inelegível (definido abaixo). A Orbit suportará todos os custos do envio de devolução ao proprietário e reembolsará quaisquer custos em que o proprietário tenha incorrido, excetuando nos que respeitem a qualquer Produto Inelegível, caso em que o proprietário será responsável pelos custos de envio.

### 4. O QUE NÃO É COBERTO POR ESTA GARANTIA LIMITADA

Esta garantia não cobre o seguinte (no conjunto "Produtos Inelegíveis"): Produtos assinalados como "amostras" ou vendidos "no estado em que estão"; ou Produtos que tenham sido submetidos a: (a) modificações, alterações, alterações, e manipulações ou reparações inapropriadas; (b) manuseamento, armazenamento, instalação, testes ou utilizações que não estejam de acordo com as instruções fornecidas pela Orbit; (c) maus tratos ou má utilização do Produto; (d) falhas, flutuações ou interrupções no fornecimento de água, de energia elétrica ou de redes de telecomunicações; ou (e) Atos de Deus, incluindo relâmpagos, inundações, tornados, terremotos ou furacões. Esta garantia não cobre peças consumíveis, incluindo baterias, a menos que os danos sejam causados por defeitos nos materiais ou fabrico do Produto, ou no software (mesmo se embalado ou vendido em conjunto com o produto). A Orbit recomenda que utilize apenas provedores de serviços autorizados para manutenções ou reparações. O uso não autorizado do Produto ou do software pode afetar o desempenho do produto e pode invalidar esta Garantia Limitada. A menos que prometa explicitamente uma "garantia", a Orbit não garante ou promete nenhum nível de poupanças de água, saúde dos relvados e jardins, ou qualquer outro benefício obtido pelo uso de um Produto ou qualquer das suas funções. As efetivas poupanças de água, saúde dos relvados e jardins e outros benefícios obtidos variam consoante fatores aquém do controlo ou conhecimento da Orbit.

5. ISENÇÃO DE GARANTIAS EXCEPTUANDO O ESTATUÍDO ACIMA NESTA GARANTIA LIMITADA, E ATÉ AO EXPLICITAMENTE PERMITIDO PELA LEI APLICÁVEL, A ORBIT ISENTA-SE DE TODAS AS GARANTIAS E CONDIÇÕES EXPRESSAS, IMPLÍCITAS OU ESTATUTÓRIAS COM RELAÇÃO AO PRODUTO, INCLUINDO AS GARANTIAS IMPLÍCITAS DE COMERCIALIZAÇÃO E ADEQUAÇÃO A UM PROPÓSITO EM PARTICULAR. ATÉ AO EXPLICITAMENTE PERMITIDO PELA LEI APLICÁVEL, A ORBIT TAMBÉM LIMITA A DURAÇÃO DE QUAISQUER GARANTIAS OU CONDIÇÕES À DURAÇÃO DESTA GARANTIA LIMITADA.

6. LIMITAÇÃO DE DANOS EM ADIÇÃO ÀS ISENÇÕES DE GARANTIA ACIMA, EM NENHUM CASO SERÁ A ORBIT RESPONSÁVEL POR QUAISQUER DANOS SUBSEQUENTES, INCIDENTAIS, EXEMPLARES OU ESPECIAIS, INCLUINDO QUAISQUER DANOS POR DADOS OU LUCROS PERDIDOS, DECORRENTES DE OU RELACIONADOS COM ESTA GARANTIA LIMITADA OU COM O PRODUTO, SENDO A RESPONSABILIDADE CUMULATIVA TOTAL DA ORBIT DECORRENTE OU RELACIONADA COM ESTA GARANTIA LIMITADA OU COM O PRODUTO NÃO SUPERIOR AO VALOR MONETÁRIO TOTAL PAGO DE FACTO PELO PRODUTO E PELO COMPRADOR ORIGINAL.

7. LIMITAÇÃO DE RESPONSABILIDADES TEM A POSSIBILIDADE DE UTILIZAR CERTOS SERVIÇOS DA ORBIT ("SERVIÇOS") COM OS SEUS PRODUTOS. O SEU USO DESTES SERVIÇOS ESTÁ SUJEITO A CONDIÇÕES DE SERVIÇO SEPARADAS.

### 8. VARIAÇÕES QUE PODEM APLICAR-SE A ESTA GARANTIA LIMITADA

Algumas jurisdições não permitem limitações à duração de uma garantia implícita ou exclusões/limitações aos danos incidentais ou subsequentes, pelo que algumas limitações definidas acima podem não se aplicar a si.