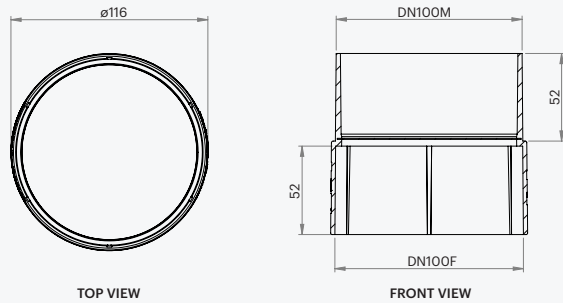


TATO17 100MM



ALL DIMENSIONS IN MM UNLESS OTHERWISE STATED.

Pipe Fitment

TATO61	DN50 F (socket)	50mm pipe fits inside
	DN50 M	Fits into 50mm socket
TATO05	DN90 F (socket)	90mm pipe fits inside
	DN90 M	Fits into 90mm socket
TATO27	DN90 F (socket)	90mm pipe fits inside
	DN90 M	Fits into 90mm socket
TATO17	DN100 F (socket)	100mm pipe fits inside
	DN100 M	Fits into 100mm socket

DISCLAIMER This product specification is not a complete guide to product usage. Product specifications may change without notice. For more information visit rainharvesting.com.au. Keep this manual handy for future reference. © Rain Harvesting Pty Ltd.

COMPLIANCE

- AS/NZS 4020:2005 – Testing of products for use in contact with drinking water

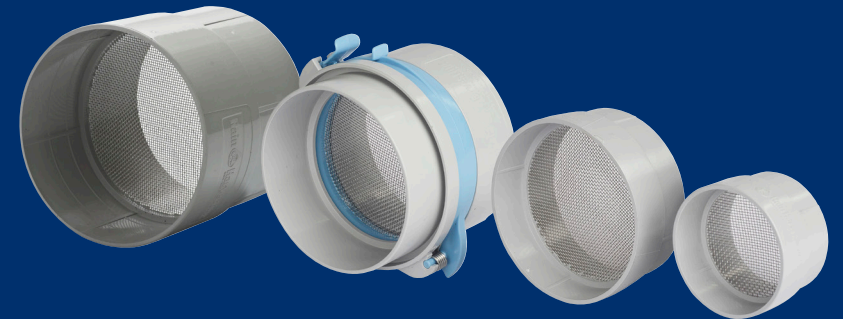
RAIN HARVESTING
by Blue Mountain Co

+61 (0)7 3248 9600

rainharvesting.com.au

RAIN HARVESTING
by Blue Mountain Co

Mozzie Stoppa Insect Proof Screens



Installation and Specification Guide

PRODUCT DETAILS

Mozzie Stoppa™ improves water quality by keeping pests out of the rainwater tank and allowing the tank water to breathe.

TATO61	50mm
TATO05	90mm
TATO17	100mm
TATO27	90mm – Mozzie Stoppa Easy-Clean

FEATURES AND BENEFITS

- Prevents pests from entering the tank via the overflow
- Allows the tank water to breathe
- Fits directly to 50mm, 90mm or 100mm pipes, sockets or tank overflows
- 0.955mm stainless steel screen

Installation

WHAT'S IN THE BOX?

- Mozzie Stoppa Insect Proof Screen

TOOLS/MATERIALS YOU MAY REQUIRE

- Tape measure
- Marker pen
- Saw

MOZZIE STOPPA ORIGINAL

1. Select an installation point for your Mozzie Stoppa Original. Generally speaking, this will be on your tank overflow outlet. Keep in mind that your Mozzie Stoppa Original must be removable to allow for easy maintenance and cleaning so the mosquito-proof screen does not become clogged or blocked.
2. To install, simply press your Mozzie Stoppa Original into your tank overflow outlet.
3. Insert your overflow pipe into the socket side of the Mozzie Stoppa Original.
4. It is important that the Mozzie Stoppa Original is not glued to the outlet or overflow pipe for easy maintenance. For this reason, the Mozzie Stoppa Original incorporates small raised sections in the socket and pipe to allow for easy removal.

MOZZIE STOPPA EASY-CLEAN

New or upgrading from a non-glued Mozzie Stoppa Original

1. Select an installation point for your Mozzie Stoppa Easy-Clean. As it will require regular maintenance, we recommend installing your Mozzie-Stoppa Easy-Clean in a position that allows for easy access and cleaning. We recommend installing it directly into the overflow outlet of your tank.
2. Remove the non-glued Mozzie Stoppa Original from the overflow outlet and overflow pipe and discard.
3. If necessary, measure and remove a section of pipe leaving a gap between your overflow outlet and overflow pipe of approximately 25mm for your Mozzie Stoppa Easy-Clean, ensuring all cut edges are clean and smooth.
4. Position your Mozzie Stoppa Easy-Clean so the screen opens upward. Use solvent weld glue to install the Mozzie Stoppa Easy-Clean into the gap you made in Step 3, between your overflow outlet and overflow pipe.

Upgrading from a glued Mozzie Stoppa Original or overflow pipe

1. Measure and remove a section of pipe leaving a gap between your overflow outlet and overflow pipe of approximately 25mm for your Mozzie Stoppa Easy-Clean, ensuring all cut edges are clean and smooth.
2. Carefully remove the left-over pipe section or Mozzie Stoppa Original by cutting out and removing from the overflow outlet.
3. Position your Mozzie Stoppa Easy-Clean so the screen opens upward. Use solvent weld glue to install the Mozzie Stoppa Easy-Clean into the gap you made in Step 1, between your overflow outlet and overflow pipe.

MAINTENANCE

We recommend regularly cleaning your Mozzie Stoppa Original or Easy-Clean to prevent the mosquito-proof screen from becoming clogged or blocked with sediments and debris.

Mozzie Stoppa Original

Remove your Mozzie Stoppa Original from your tank overflow outlet and hose or otherwise clean the mosquito-proof screen. Replace the Mozzie Stoppa Original immediately after cleaning by pressing it back into your tank overflow outlet.

Mozzie Stoppa Easy-clean

Your Mozzie Stoppa Easy-Clean is designed to make maintenance and cleaning easy. Unlatch the hinged screen and hose or brush it off to clean. Replace the screen immediately after cleaning by pressing it down to firmly relatch in place so it continues to form a barrier against mosquitoes, frogs and pests.

PRODUCT DIMENSIONS

