



TransTank®  
International

# OPERATOR'S HANDBOOK

[www.tti.com.au](http://www.tti.com.au)

## WeedMasta™

Rechargeable Trolley Sprayer



Manufacturer of **The Safest Tanks in Motion**

## Introduction

**The purpose of this manual is to assist you in the assembly, operation and maintenance of your Trans Tank International Trolley Sprayer.** Please read through this manual completely to fully understand how to operate and maintain your equipment.

This product has been manufactured to provide years of dependable service; proper operation and maintenance will ensure its dependability. Keep your manual in a safe, convenient place for future reference. Always mention the model and part number in any correspondence.

## Assembly

**The Trolley Sprayer is assembled at the factory with the exception of a few components to protect them from shipping damage. Follow the steps below to complete assembly:**

### Handle Assembly

1. Remove sprayer and components from Carton.
2. Locate and remove the two bags of components from within the tank. Open the parts bag labeled; "Acc. Bag" and remove these instructions. Read instructions in their entirety before proceeding.
3. Slide handle (Item 1, figure A) into lower frame (Item 7, figure A). Adjust handle height to a comfortable setting for the operator. Adjust handle to align the holes in handle and lower frame closest to desired setting.
4. Using the two handle adjustment knobs and bolts (Item 2, figure A), insert bolts through holes in handle and tighten with knobs.

### Front Deflector Nozzle Attachment

1. Locate the bag labeled Nozzle Assembly.
2. Insert Nozzle body fitting (Item 7, figure B), through the nozzle bracket (Item 8, figure B), and hold in place with nozzle body nut (Item 9, figure B) tightened loosely by hand.
3. Insert nozzle filter (Item 9, figure B) into nozzle body. Place deflector nozzle (Item 11, figure B) into nozzle nut (Item 12, figure B). Thread nozzle nut with nozzle onto nozzle body fitting and tighten slightly.
4. Attach Nozzle bracket to tank (Item 16, figure B) with two screws and washers. Tighten securely.
5. Locate clear vinyl hose from bottom front of tank. Attach hose to nozzle body fitting attached to front of tank with hose clamp (Item 17, figure B).
6. Tighten all nuts and screws securely ensuring the nozzle is pointing directly down towards the ground.

## Using the Trolley Sprayer as a Trailer

If the Trolley Sprayer will be used with a garden tractor a trailer tongue can be attached to the sprayer for towing. A "Remote Switch" is also supplied so the sprayer pump can be remotely operated from the tractor. If the Trolley Sprayer will be used as a trailer, follow the instructions below:

1. Locate the remote switch wiring harness from the Acc. Bag
2. Locate the wiring harness remote plug in connector. The connector will be protruding from the bottom of the black pump shield on the back of the sprayer. The connector will be labeled "Remote Switch". Attach the Remote Switch to the wiring harness on the sprayer.
3. Attach the trailer tongue (Item 8, figure B) to the sprayer frame (Item 7, figure B) aligning the holes and using the pin and hair pin (Item 3, figure B).

## Setup

### Charging the Battery

1. Obtain the battery charger (Item 27, figure B) and plug the charger into an AC wall outlet and the other end into the charging port located on the sprayer.
2. Allow the charger to charge the battery until the light on the charger turns green. A green light indicated the battery is fully charged. A discharged battery could take as long as 24 hours to recharge.
3. Never allow the battery to discharge completely. Doing so will damaged the battery and void warranty

### Charging the Battery

Always test the sprayer with clean water prior to spraying with a chemical mixture. This will allow the sprayer to be inspected for leaks and repaired before expensive chemicals are used.

### Using the front Deflector Nozzle

Four things must be considered before spraying with the boom.

How much chemical must be mixed in the tank?

Refer to the chemical label to determine the chemical mixture

Rate of spray (gallons per acre to be sprayed).

See the Tip Chart below to determine the gallons per acre. The chart will also show the speed used when spraying.

Speed traveled (M.P.H.) while spraying.

Refer to the Tip Chart and Speed Chart below for MPH.

Pressure

## Determine Gallons per Minute

Once you know how much you are going to spray then determine (from the tip chart) the spraying pressure (PSI) and the spraying speed (MPH).

The pressure is preset by the pump, typically between 30 to 35 psi, but it will vary depending on the percentage of charge left in the battery. If precise chemical metering is desired, then the battery should be fully charged and a flow rate should be measured at the nozzle. After the battery is fully charged, obtain a bucket and place under the nozzle.

### Gallons per Acre, 40" spacing

Nozzle Part #	PSI	Flow GPM	1 mph	2 mph	3 mph	4 mph
DF 2.0	30	0.52	77.2	38.6	25.7	19.3
Red colored nozzle	40	0.60	89.1	44.6	29.7	22.3

## Determine MPH

Determining the proper walking speed can be done by marking off a length of 100 feet. The speed chart indicates the number of seconds it takes to travel 100 feet.

Speed MPH	Time required to travel 100 ft
1	68 sec
2	34 sec
3	23 sec
4	17 sec

## Operation

Ensure battery is fully charged to provide optimum efficiency from the 12volt pump. Turn the valve located in the back panel to the off position. This will ensure the nozzle does not begin to spray when the pump is activated. The pump can be operated with the switch located on the back panel or from the remote harness if connected. Remove the tank lid and fill the spray tank with clean water through the basket strainer. Slowly pour in the desired amount of chemical.

Activate the pump by turning on either switch. (The pump will run with either switch in the on position. If both switches are in the on position then both will need to be turned off to disconnect power). The pump, when activated, will begin to run until 40 psi is reached. The built in pressure switch will then shut off the pump. Your sprayer is now ready.

To spray with the wand, ensure the wand nozzle is pointed in the direction meant to be sprayed and pull the lever handle. The pump will automatically activate and the wand will disperse the chemical mixture from the tank. To stop spraying with the wand release the lever handle on the spray wand and the pump will deactivate after reaching pressure.



To spray with the nozzle located on the front of the tank, ensure the wand is firmly attached to the tank or frame handle. Turn the valve located on the back panel to the ON position. The nozzle on the front of the tank will begin to spray. Immediately begin to push or pull the sprayer at the desired speed for proper chemical delivery. To stop spraying with front nozzle, turn off the valve and the pump will deactivate after reaching pressure.

## Cleaning & Storage

**Most spray materials are highly corrosive. The most important aspect of long dependable service from the sprayer is a thorough cleaning immediately following each use.** In addition, the residue of one type of chemical could cause an undesirable effect when a different chemical is used for a different purpose.

The most effective cleaning method is to pump several rinses of clean water through the tank, pump, hoses, boom, spray gun, etc. A neutralizing agent such as a solution of Nutra-Sol, a detergent or household ammonia as recommended by the chemical manufacturer can assist in removal of a persistent chemical. When the system is thoroughly cleaned drain the tank, suction line, pump, hoses, etc.

**The following steps should be followed for the maintenance and storage of your sprayer.**

Wash and flush out sprayer after completion of each phase of your program. Flush out sprayer when changing chemicals if there is a possibility of the chemicals being incompatible. Use of a detergent is advisable if the chemical manufacturer does not make specific cleaning recommendations. Flush system completely, including nozzles. Never use metal objects to open clogged nozzles.

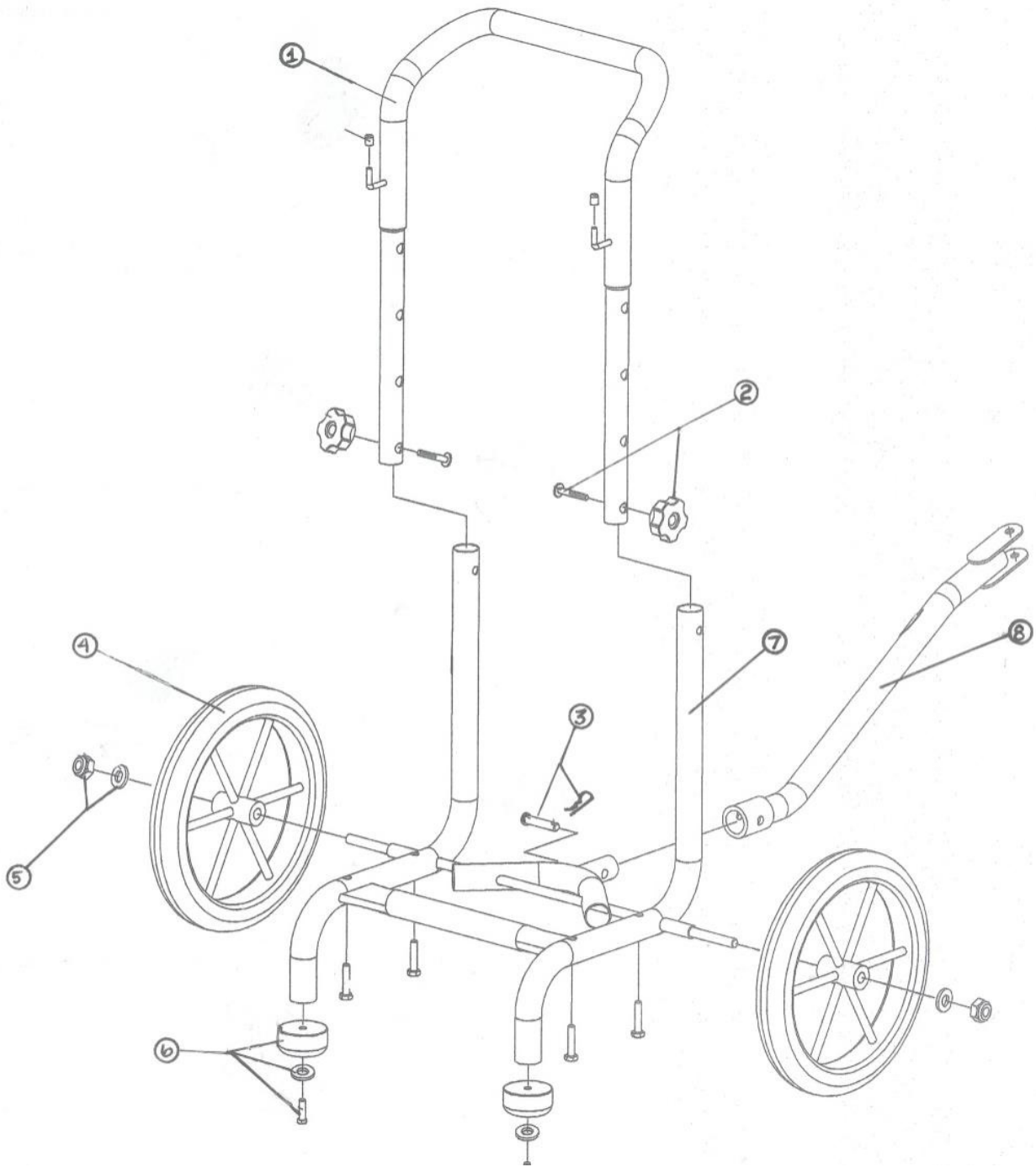
Clean sprayer thoroughly before storing at the end of the spraying season. Permanent type anti-freeze added to the final rinse will leave a rust inhibiting film in parts of the sprayer.

Periodically charge the battery (every 3 months) even if sprayer is not being used.

## Warranty Parts Service

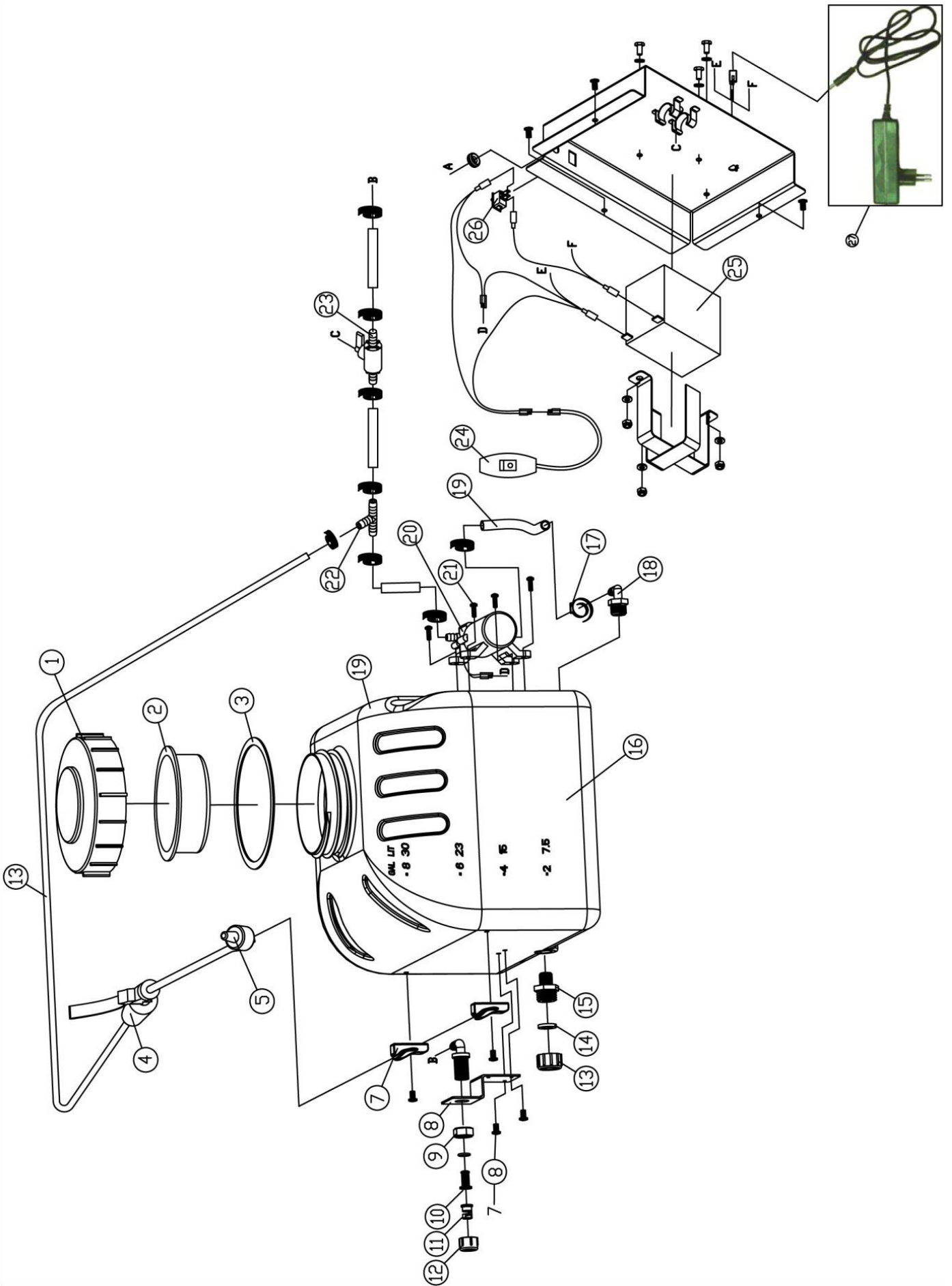
Products sold shall be warranted from defects in workmanship and material when used within the service and scope for which they were designed for a period of one year from date of purchase. Contact your distributor/ dealer for replacements parts or warranty work. Please have your original sales receipt or other proof of purchase date when requesting any warranty work.

To ensure the correct parts are acquired always provide the model number of your sprayer/attachment and the part number and description obtained from the illustrated parts breakdown in this manual.



## Parts List Trolley Sprayer Frame

Ref	Qty	Part No.	Description
1	1	33-100158	Frame, Handle <i>(Only available as entire frame)</i>
2	1	33-100157	Handle adjustment knobs <i>(Pair with bolts)</i>
3	1	33-100156	Hitch Pin
4	1	TWA12.5x2-5/8	Wheel and Tire
5	1	33-100155	Axel Nut and Washer <i>(Pair)</i>
6	1	33-100154	Rubber Pad <i>(Pair with bolts)</i>
7	1	33-100158	Frame, Lower <i>(Only available as entire frame)</i>
8	1	33-100158	Hitch, Tongue <i>(Only available as entire frame)</i>



## PARTS LIST TROLLEY SPRAYER TANK ASSEMBLY

BOM ID	Qty	Part No.	Description
1	1	TL-6B	Tank Lid
2	1	TLS-5D	Basket Strainer
3	1	T1-6B-GAS	Gasket
4	1	SG-4200-18	Gun Hose Assembly
5	1	RCH-14-15	Recoil Hose
6	1	GC-100-KIT	Gun Clips (Pair)
7	1	NTL38-C	Nozzle Body
8	1	31-100249	Nozzle Bracket
9	1	B12	Nozzle Body Unit
10	1	NS-50	Nozzle Strainer
11	1	DF3.0	Nozzle
12	1	8027	Nozzle Nut
13	1	3N34	Cap
14	1	W406V	Garden Hose Washer
15	1	E3412	Adaptor, 3/4' GHT x 1/2" NPT
16	1	33-103197	Tank (9 Gallon)
17	9	350-004	Hose Clamp
18	1	EL1238	Elbow, 1/2 NPT x 3/8 Hose Barb
19	IN	33-103938	Hose, Baided, Clear Vinyl (ask for length)
20	1	33-103208	Pump, 1 gpm
21	1	33-103126	Screw, Pan Head
22	1	T38	Fitting "T", 3/8" Hose Barb
23	1	PBV-38HB	Valve, 3/8" Hose Barb
24	1	33-103193	Harness, Remote Switch
25	1	33-103194	Battery, 12v
26	1	33-103196	Switch, Rocker
27	1	33-103195	Charger, 12v











**TransTank**®  
International

[www.tti.com.au](http://www.tti.com.au)

**1800 816 277**

[sales@tti.com.au](mailto:sales@tti.com.au)

PO Box 137, Nathalia, VIC, 3638  
Murray Valley Hwy, Nathalia, VIC 3638