

The Grundfos JP is a compact self-priming booster solution for domestic water supply. It consists of a robust single-stage jet pump and is available with a Pressure Manager. Together these components ensure great comfort by automatically starting and stopping the pump according to your demand. Furthermore, the booster unit offers integrated protective functions protecting your investment. The JP is easy to install, a simple matter of plug and pump. The JP5 & 6 are also available as a bare pump without the pressure manager.



## Features

### Self-priming

With a suction-lift up to 7 metres, this booster unit is ideal for pumping from below ground level. This feature makes the booster unit suitable for a large variety of installations.

### Robust design

The pump is made with materials that ensure excellent corrosion resistance. The pump housing and impeller are made of high quality stainless steel, while the rest of the pump is electrophoretically painted.

### User-friendly interface

The booster versions includes a user-friendly interface with LED indicators which shows, power on, pump running and alarm indication.

### Protective features

The Pressure Manager incorporates features to protect both the pump and installation including dry running protection and cycling alarm.

### Easy installation

The booster unit is a compact solution, which makes it suitable for most installations. Simply connect the inlet and outlet and you have a fully operational booster unit.

### Integrated non-return valve

No additional fittings required for an above ground tank installation.

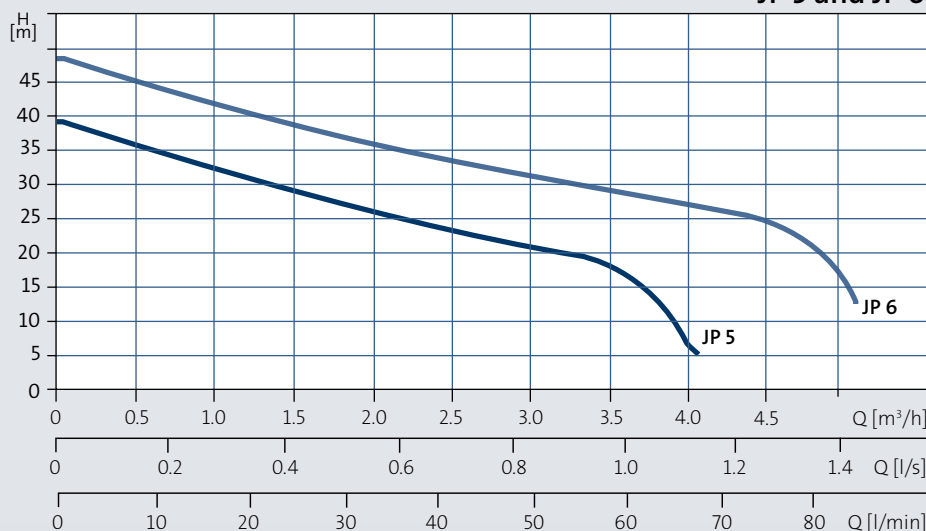
## Applications

- Below and above ground water source with a suction lift up to 7 metres



## Performance

JP 5 and JP 6



## Operating Conditions

### System pressure

Max. 6 bar

### Suction lift

Max. 7 metres, including suction pipe pressure loss at a liquid temperature of 20 °C

### Liquid temperature

0 °C to 40 °C

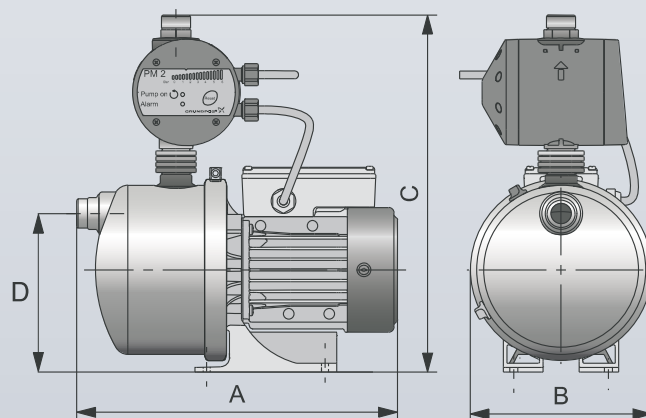
### Ambient temperature

-20 °C to 45 °C

### Relative air humidity

Max. 95 %

## Dimensions



## Technical Data

### Mains voltage

1 x 240 V, 50 Hz (JP Booster PM)

### Enclosure class

IP44

### Insulation class

F

### Sound pressure level

72 dB

### Start/stop frequency

Max. 100 per hour

### Approvals and markings

CE, C-tick, GHOST TR

Model	Power (kW)	Connections		Dimensions (mm)				Weight (kg)
		Outlet	Inlet	A	B	C	D	
JP 5	0.48	1" M	1" M	364	206	411	240	8.5
JP 6	0.92	1" M	1" M	401	206	411	240	10.0