

APPLICATIONS

The Grundfos CMBasic pressure system is a compact booster pump for water supply in domestic and light commercial water applications.

The unit consists of a Grundfos CM cast iron pump and a Grundfos PM1 pressure manager that allows the pump to start and stop automatically according to demand.

FEATURES & BENEFITS



- Compact design to cater for most spaces
- Use of stainless steel impellers provides the longest possible life
- Dry-running protection saves your pump from damage if your water supply runs out
- Anti-cycling alarm informs homeowners of potential pipe leakage, saving water and protecting the pump
- Suitable for generator operation

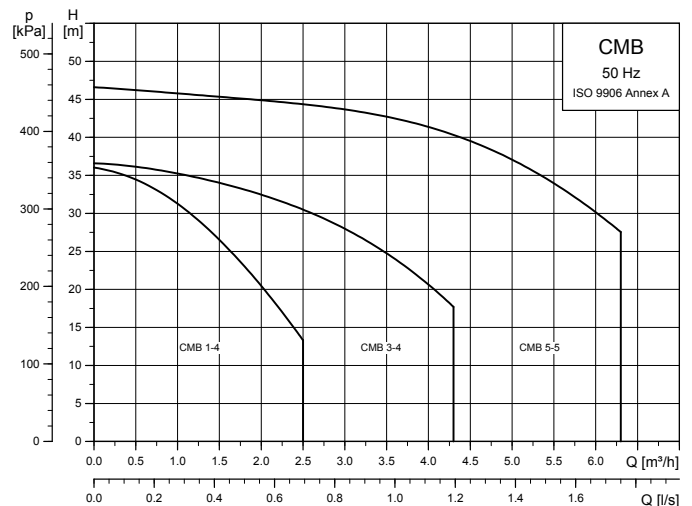
CONSTRUCTION

- Stainless steel impeller, intermediate chambers and shaft
- Cast iron housing
- Hard wearing carbon / ceramic seal
- IP55 motor
- Voltage: 1 x 240 V, 50 Hz

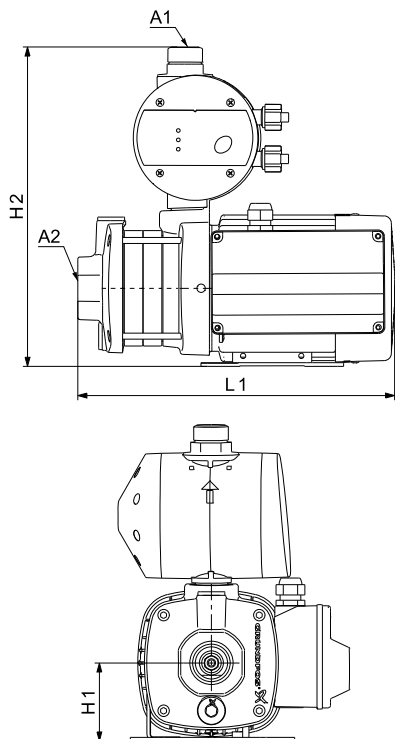
PERFORMANCE

PUMPS	Discharge Pressure (kPa/psi)						
	150	200	250	300	350	400	450
	22	29	36	44	51	58	65
	Output (l/min)						
CMBasic 1-4 PM1 (1.5 bar)	40	33	26	18	-	-	-
CMBasic 3-4 PM1 (1.5 bar)	-	63	53	38	20	-	-
CMBasic 5-5 PM1 (2.2 bar)	-	-	102	92	80	62	24

As a guide 1 tap  = 10 litres per minute • 1 sprinkler  = 15 litres per minute

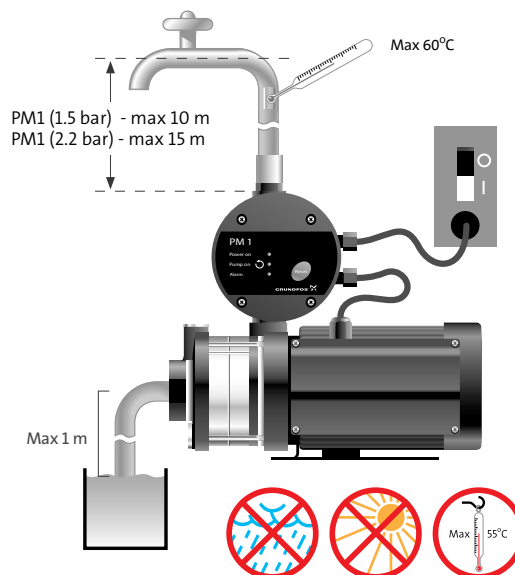


DIMENSIONS



INSTALLATION

The CMBasic is easy to install. Simply connect the device to the pipe work, ensure the pump is full of water and plug into a socket. The system is then operational.



TECHNICAL FEATURES

Model	1 ph In (A)	P2 (kW)	CONNECTIONS		DIMENSIONS			Weight (kg)
			Outlet (A1)	Inlet (A2)	L1 (mm)	H1 (mm)	H2 (mm)	
CMBasic 1-4	3.1	0.5	1" M	1" F	323.5	75	301	13.3
CMBasic 3-4	3.1	0.5	1" M	1" F	323.5	75	301	13.3
CMBasic 5-5	5.4	0.9	1" M	1 1/4" F	341.5	75	301	16

