

## APPLICATIONS

- > Firefighting
- > External home fire protection sprinkler systems
- > Tank to tank water transfer
- > High head general water transfer
- > Irrigation



## High Powered Single & Twin Stage Self Priming Pump

Model Numbers: 5190HRS2 & 5290HRS2

Rugged, economical single and twin stage self priming pump with remote start/stop via SMS and auto start. These units are driven by a 270cc Honda iGX/E engine fitted with an electric start.

## WHY CHOOSE DAVEY REMOTE START FIREFIGHTER?

For added security in a bushfire situation, or to eliminate travel time to a remotely located pump, the Davey Remote Start Firefighter Mark II provides a number of options for prioritised starting and stopping; manually, remotely via SMS or automatically via daily schedules or via local wired inputs/sensors.

Emergency start via heat sensor or local emergency button always takes priority over all other operations.

Start options are:

- Heat sensors (Davey optional accessory P/N: 402939)
- Remote switch, e.g. float switch, panic button in house, etc.
- Electric (via key switch) or recoil starter
- SMS start (subject to subscription and reception)
  - Immediate, delayed start/timed run or scheduled

In the event of a heat sensor or local emergency start button start the pump unit can only be stopped by the following methods:

- Key switch on engine turned to OFF position
- SMS stop signal
- Engine stop due to no fuel remaining or oil alert system shut down

For other, non-emergency initiated operations, the stopping options include:

- Timed operation expired
- Loss of prime or similar protection device activated
- Float or pressure switch contacts open

Up to 3 users can be registered to operate and receive SMS feedback.

All registered users receive SMS feedback and warnings, such as:

Pump Start and Pump Stop

- Battery Low
- General Status
- Engine Service and SIM Subscription reminders

# Self Priming Pumps



The SIM in the unit's control centre is factory fitted and ready to use utilising the Telstra network across Australia. As long as the site has the ability to allow SMS's to be sent and received, the Davey control centre will operate. Ongoing use of the SMS function is subject to reception and subscription status.

An annual SIM subscription is required to maintain SMS connection – go to [my.daveywater.com](http://my.daveywater.com) to set up an account and arrange payment.

Davey model 5190HRS2 (Single Stage) and 5290HRS2 (Twin Stage) Remote Start Firefighter pumps are powered by Honda's electronically managed iGX270 petrol engines. For easy starting the engine also has a fully automatic choke.

Electric starter (12V AC 28amp hour battery required) and recoil starter fitted, ensures a choice of starting methods, even if the battery is flat or removed.

The engine has dual preset speeds (3600rpm and 2800rpm) adjustable via a toggle switch on the side of the control centre. For all SMS or timer shutdown events the control centre will automatically set the run speed to the low setting for 15 seconds before allowing the engine to stop.

### The Davey Firefighter pump end features:

Heavy duty wide vane impeller for longer life, improved performance and easier cleaning in the case of blockage.

Single stage is ideal for medium pressure high volume applications.

Twin impeller design provides the versatility of high flow rates with strong pressure.

Thrust balanced impeller design to extend engine life.

Pump casing, diffusers and impellers manufactured from quality corrosion resistant marine grade aluminium for long life.

3 way discharge port for easy installation with a choice of plumbing sizes. The 3 way discharge is easily adapted to the old 3 way outlets.

Polyester coated pump casing, exterior and interior, for added corrosion resistance.

Self priming from up to 6m for more versatile installation options.

Patented floating impeller neckrings front and back. The front neckring helps improve pumping efficiency, the back neckring helps extend seal life and dramatically reduce engine wear.

Huge 1½" priming port for extra quick filling.

Large drain port with bayonet fit plugs. Plugs have safety retention system.

Viton seal and o-ring kit available for herbicide/ insecticide spraying.

### MATERIALS OF CONSTRUCTION

PART	MATERIAL
Suction cover	Marine grade aluminium (AS605)
Diffuser	Marine grade aluminium (AS605)
Impeller	Marine grade aluminium (AS605)
Casing / yoke	Marine grade aluminium (AS605)
Mechanical seal	Carbon / ceramic
3 way discharge	Marine grade aluminium (AS605)
Casing bolts	Zinc plated steel
Yoke bolts	Stainless steel
Flap valve / seal ring	Zinc body, hytrel seal
Neck ring, priming and drain plug	Glass filled nylon
Casing, priming and drain plug o-ring	Nitrile rubber
Discharge gasket	Hytrel
Paint finish	Baked polyester powder coat

### OPERATING LIMITS

Model	5190HRS2	5290HRS2
Flow capacities to (lpm)	800	430
Maximum total head (m)	46	90
Maximum suction lift	7m	
Maximum water temperature	50°C	
Minimum water temperature	1°C	
Maximum casing pressure (kPa)	1000	1600
Minimum suction pipe size	2"	
Suction pipe strainer	Required	
Inlet size	2" BSP(M)	
Outlet sizes	1 x 2" BSP(M)	
	2 x 1" BSP(M)	
Priming port	1 x 1½" BSP(M)	

### ENGINE SPECIFICATIONS

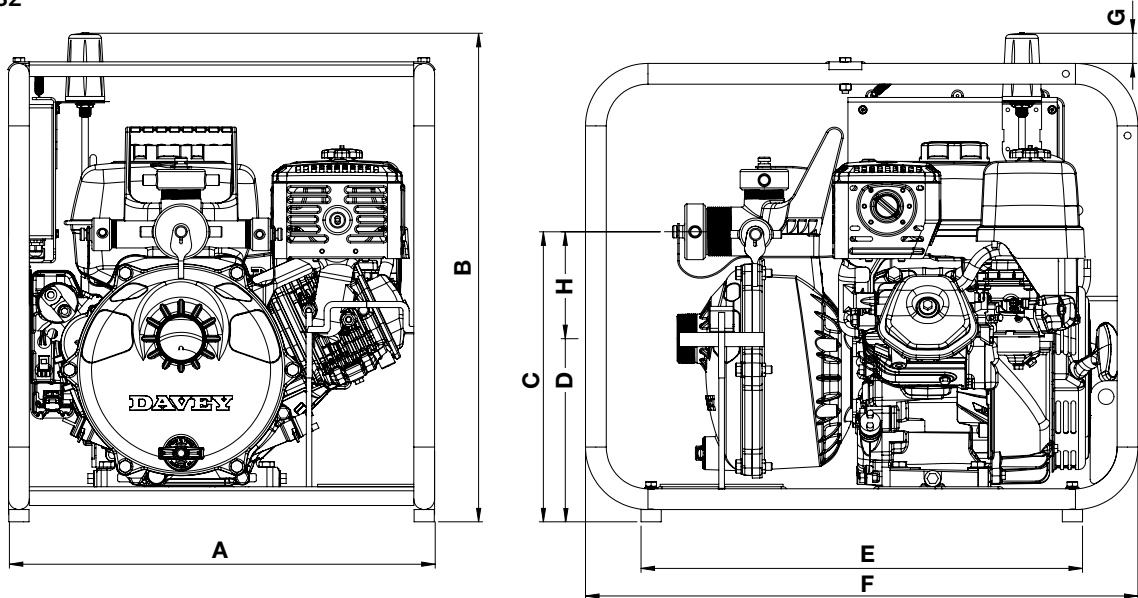
Engine Brand	Honda
Engine model	iGX270E
"Out of box" governed max engine speed @ no load	3600rpm
Displacement (cc)	270
Fuel tank (litres)	6.0
Approx. fuel consumption @ full load @ 3600rpm	3.05
Running time per tank @ full load @ 3600rpm	1.9
Oil capacity (litres)	1.1
Spark arrestor	Yes
dBa @ 3600rpm @ full load	79 @ 7m

### > IMPORTANT NOTE

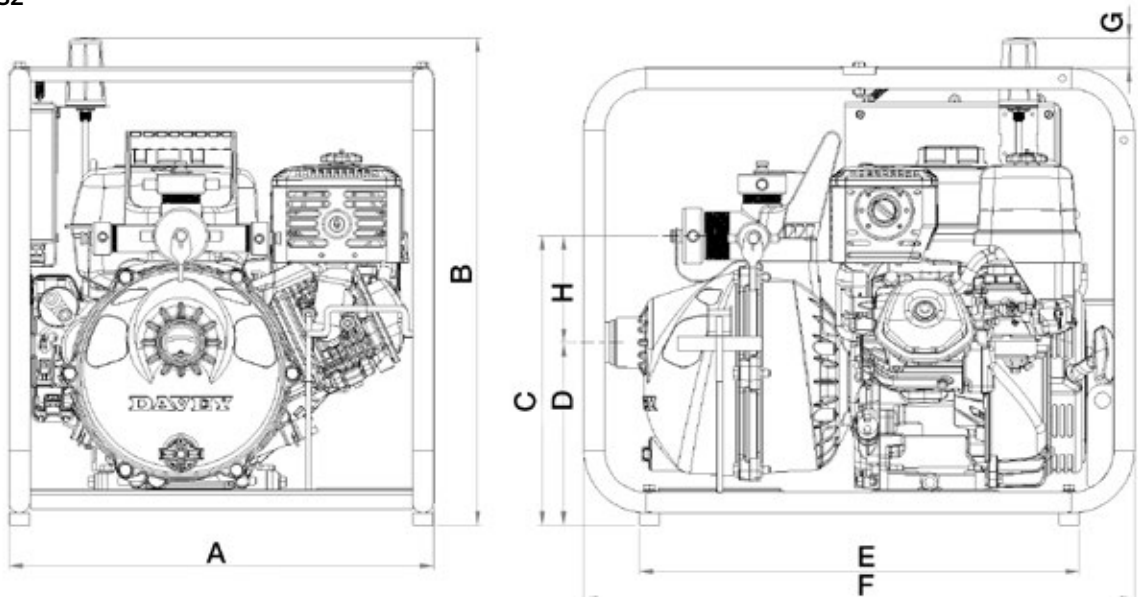
Davey recommend the addition of heat sensors hard wired in series to buildings which have been fitted with external sprinklers to ensure the pump will start in an emergency independent of the phone network, as during severe fire conditions SMS reception may be compromised. So even though the SMS is the last service to go down in an emergency, Davey cannot guarantee that even SMS service is not compromised in such an event.

DIMENSIONS (MM)									
Model	A (Ø)	B	C	D	E	F	G	H	Dry Weight (kg)
5190HRS2	521	597	355	224	540	675	37	131	34
5290HRS2									38

## 5190HRS2



## 5290HRS2



### OPTIONAL ACCESSORIES

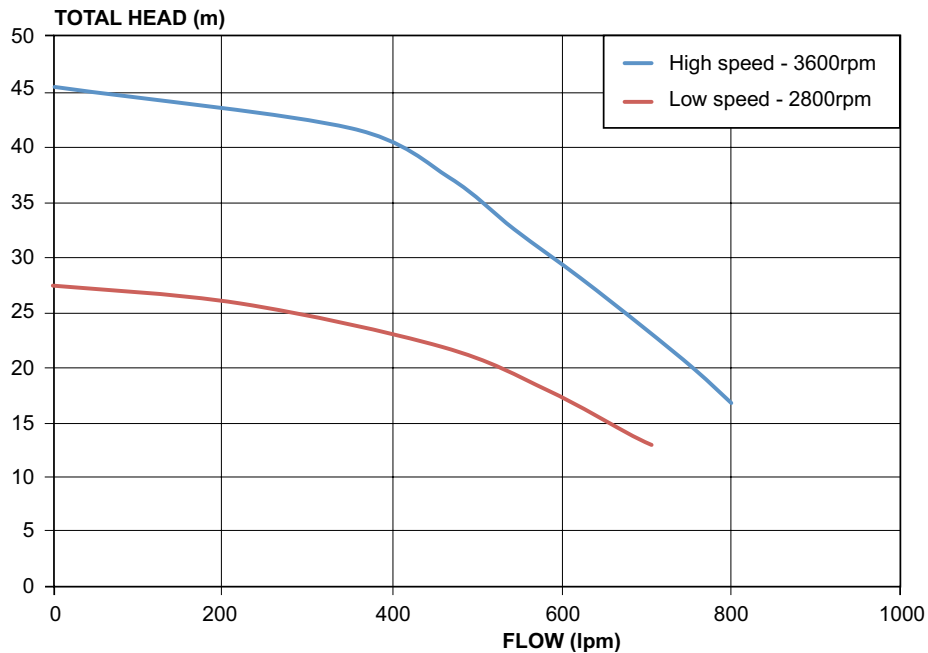
- **Mobility Kit:** Converts the Remote Start Firefighter from a stationary pump unit into a easily moved unit with wheels and handles: P/N 32946
- **Heat Sensors:** These are for external mounting on buildings, especially those with external fire protection sprinklers fitted. They are certified to AS5414-2012; Bushfire sprinkler systems for dwellings and are calibrated to trigger at 93°C. These must be hard wired and connected in series to allow for automatic pump starting independent of the sms network: P/N 402939

### ITEMS NOT INCLUDED WITH THE PUMP AND REQUIRED

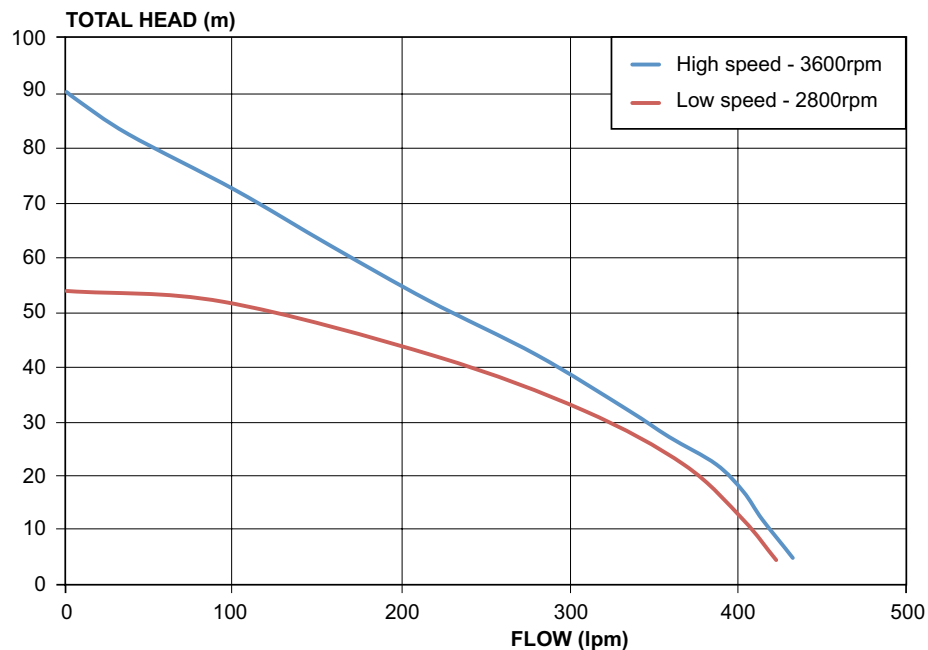
- Fuel, engine oil, water to pump, pipe and fittings
- **Battery:** 12V Lawn mower style battery recommended  
Specific model recommendations in I&OI
- **Battery charger:** Trickle charger recommended for most uses – solar or mains

## HYDRAULIC PERFORMANCE

### 5190HRS2



### 5290HRS2



## INSTALLATION AND PRIMING

- Fit strainer to bottom of suction pipe; a foot valve is not required.
- To prime, fill pump body with water then allow pump to run until drawing water.

Davey are committed to preserving the privacy of your personal information and complying with the Privacy Act 1988 (Cth) as amended. In particular, Davey will comply with the Australian Privacy Principles contained in the Act. A copy of our privacy statement can be found on the Davey website – visit:

[my.daveywater.com/terms-and-conditions](http://my.daveywater.com/terms-and-conditions)