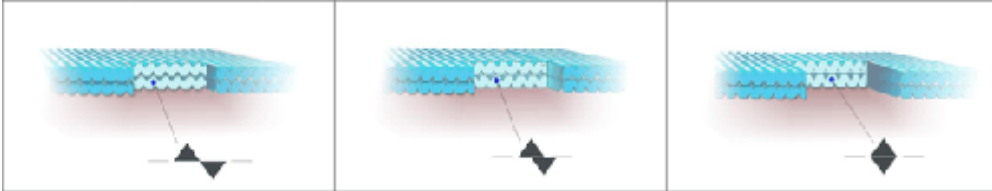


# ARKAL FILTERS

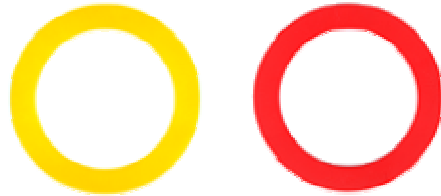
## Disc Filtration Technology

Arkal Water Filtration Systems operate using a specially designed disc filtration technology. Thin, color-coded polypropylene discs are diagonally grooved on both sides to a specific micron size. A series of these discs are then stacked and compressed on a specially designed spine. When stacked, the groove on top runs opposite to the groove below, creating a filtration element with a statistically significant series of valleys and traps for solids. The stack is enclosed in a corrosion and pressure resistant housing.

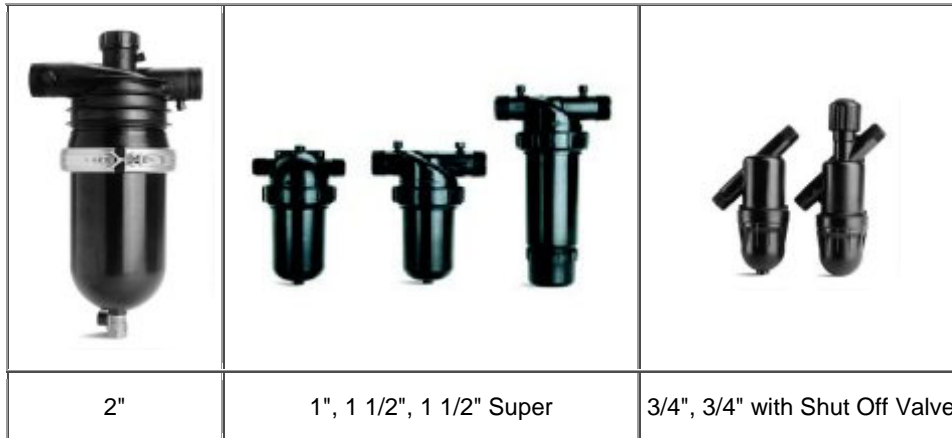


During the filtration process, the filtration discs are tightly compressed together by the spring's power and the differential pressure, thus providing high filtration efficiency. Filtration occurs while water is percolating from the peripheral end to the core of the element. Depending on the micron rating, there are from 18 (in 400 micron discs) to 32 (in 20 micron discs) stopping points in each track, thus creating the unique in-depth filtration.

Color Code:	Blue	Yellow	Red	Black	Green	Gray
Mesh	40	80	120	140	-	-
Micron	400	200	130	100	55	20



**Arkal Guarantees** reliable, accurate and efficient water filtration for years, *plus* full support and service - worldwide.





**DF Series Disc Filter Rings.**  
 80 Mesh (Yellow), 120 Mesh (Red),  
 140 Mesh (Black), 200 Mesh (Green)



This filter demonstrates the amount of debris a Netafim filter captured from this homeowner's water supply in just one season.

This system is tied into the household water, demonstrating the high importance of proper filtration.

### Pressure Loss (PSI)

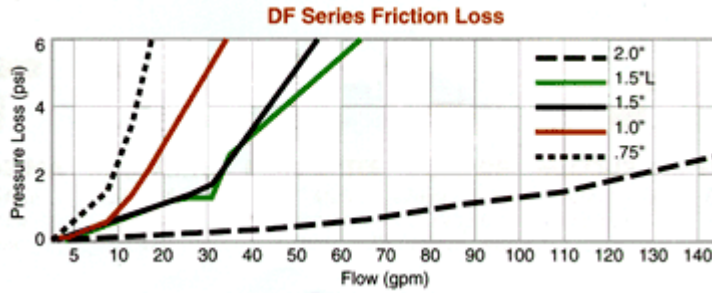
Filter Size	Filter Volume (cu. in)	Filtration Area (sq. in.)	flow rate (GPM)													
			4.4	8.8	13	17	22	26	31	35	44	66	88	110	132	
3/4"	6	25	0.40	1.46	3.40											
1"	27	48	0.14	0.54	1.34	2.10	3.24									
1 1/2"	27	48					1.10	1.30	1.70	2.30						
1 1/2" Super	34	61					1.10	1.20	1.20	2.50	3.60					
2"	74	146.5										0.30	0.63	1.03	1.47	2.13

#### Applications

- Residential and Commercial
- Municipal, Golf

#### Features/Benefits

- Highly effective multiple disc filter design
- Simple, easy and thorough filter cleaning
- Low friction loss
- 3/4" model available with or without manual shut-off valve
- 100% thermoplastic discs provide extremely high corrosion resistance
- Easy to clean surface and filter area
- Color-coded replacement filter rings available
- Extra large filtration capacity means less frequent cleaning.



### Standard Features:

- Innovative filter design captures and retains large amounts of solids.
- Long-term operation with little maintenance or cleaning.
- Operation is easy and requires no special tools.
- Completely corrosion resistant.

### Special Features:

- Built-in tap for easy cleaning procedure - 3/4" filtap.

### 3/4" Disc Filters - Technical Data

<u>data</u>	3/4" filter		3/4" filter (with tap)	
Maximum pressure:	10 bar	145 psi	10 bar	145 psi
Flow rate:	4 m <sup>3</sup> /h	18 gpm	4 m <sup>3</sup> /h	18 gpm
Filtration surface area:	160 cm <sup>2</sup>	25 in <sup>2</sup>	160 cm <sup>2</sup>	25 in <sup>2</sup>
Filtration volume:	95 cm <sup>3</sup>	5.8 in <sup>3</sup>	95 cm <sup>3</sup>	5.8 in <sup>3</sup>
Filter length:	145 mm	522/32"	195 mm	722/32"
Filter width:	190 mm	715/32"	195 mm	722/32"
Distance between end connections:	155 mm	63/32"	155 mm	63/32"
Weight:	300 gr	0.66 lbs	385 gr	0.85 lbs

### 1" Disc Filters - Technical Data

<u>data</u>	1" filter		1" Super filter	
Maximum pressure:	10 bar	145 psi	10 bar	145 psi
Flow rate(40-140 mesh, 100-400μ):	6 m <sup>3</sup> /h	26 gpm	8 m <sup>3</sup> /h	36 gpm
Flow rate(55μ):	4 m <sup>3</sup> /h	18 gpm	6 m <sup>3</sup> /h	26 gpm
Filtration surface area:	316 cm <sup>2</sup>	49 in <sup>2</sup>	500 cm <sup>2</sup>	78 in <sup>2</sup>
Filtration volume:	440 cm <sup>3</sup>	27 in <sup>3</sup>	625 cm <sup>3</sup>	36 in <sup>3</sup>
Filter length:	237 mm	911/32"	340 mm	1313/32"
Filter width:	158 mm	67/32"	158 mm	67/32"
Distance between end connections:	158 mm	67/32"	158 mm	67/32"
Weight:	1 kg	2.2 lbs	1.4 kg	3.1 lbs

### 1½" Disc Filters - Technical Data

<u>data</u>	1½" filter		1½" Super filter	
<b>Maximum pressure:</b>	<b>10 bar</b>	<b>145 psi</b>	<b>10 bar</b>	<b>145 psi</b>
<b>Flow rate(40-140 mesh, 100-400µ):</b>	<b>8 m<sup>3</sup>/h</b>	<b>36 gpm</b>	<b>12 m<sup>3</sup>/h</b>	<b>56 gpm</b>
<b>Flow rate(55µ):</b>	<b>5 m<sup>3</sup>/h</b>	<b>22 gpm</b>	<b>7 m<sup>3</sup>/h</b>	<b>31 gpm</b>
<b>Filtration surface area:</b>	<b>316 cm<sup>2</sup></b>	<b>49 in<sup>2</sup></b>	<b>500 cm<sup>2</sup></b>	<b>78 in<sup>2</sup></b>
<b>Filtration volume:</b>	<b>440 cm<sup>3</sup></b>	<b>27 in<sup>3</sup></b>	<b>625 cm<sup>3</sup></b>	<b>36 in<sup>3</sup></b>
<b>Filter length:</b>	<b>270 mm</b>	<b>1020/32"</b>	<b>370 mm</b>	<b>1418/32"</b>
<b>Filter width:</b>	<b>200 mm</b>	<b>728/32"</b>	<b>200 mm</b>	<b>728/32"</b>
<b>Distance between end connections:</b>	<b>200 mm</b>	<b>728/32"</b>	<b>200 mm</b>	<b>728/32"</b>
<b>Weight:</b>	<b>1.1 kg</b>	<b>2.4 lbs</b>	<b>1.5 kg</b>	<b>3.3 lbs</b>