

AcquaSaver®



Water Diversion Valve

- ✓ Hydraulically Operated
- ✓ Solid Brass Construction
- ✓ Built-in Dual Check Valves



 [acquasaver.com.au](https://www.acquasaver.com.au)

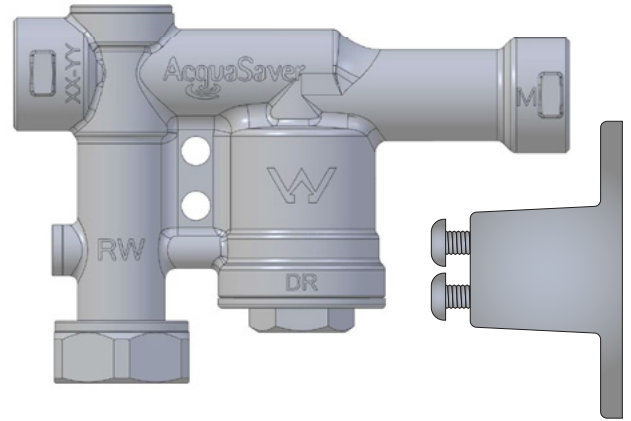


W
WaterMark
WMTS477
LN 60075



AcquaSaver®

The AcquaSaver Valve is a fully automatic mechanical rainwater/mains changeover device designed for a pressure pump supply system for harvesting rainwater for the toilet, laundry and household applications with automatic mains water backup. It's suitable for two toilets, a washing machine and a tap.



Features

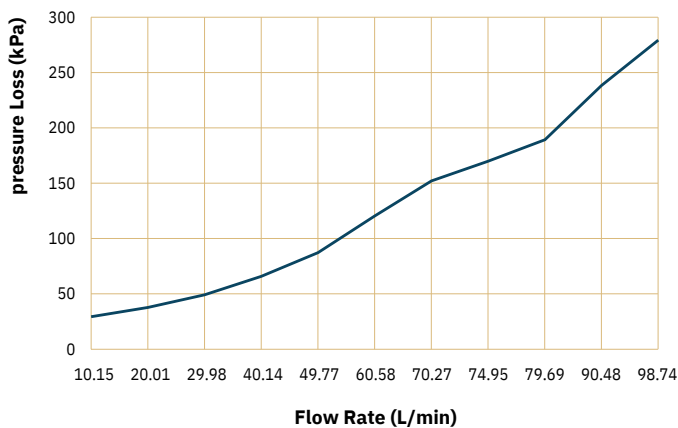
- ✓ Patent design
- ✓ Easy to install
- ✓ Watermark approved
- ✓ Smart Watermark approved
- ✓ 2 year warranty
- ✓ No regular maintenance required
- ✓ No electrical consumption or electrical components
- ✓ Solid brass construction – Fully waterproof – Built to last
- ✓ Suitable for any pressure pump with sufficient head pressure
- ✓ Can be mounted in any position
- ✓ Built-in dual check valve for backflow prevention
- ✓ Solid Brass mounting bracket (optional)

Specifications

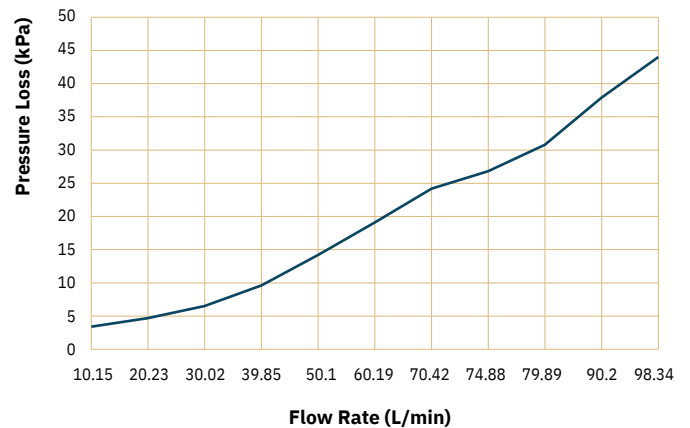
Max Mains Pressure	500 KPa recommended
Max Pump Pressure	600 KPa
Min Pump Pressure	300 KPa Recommended
Recommended min-pump cut-in pressure	2 Bar
Max Flow Rate	50 LPM
Max water temperature	40° C
Min Water Temperature	0° C*
Pump Inlet	25mm 1" BSP F
Mains Water Inlet	20mm 3/4" BSP
Outlet	20mm 3/4" BSP
Weight	0.85 Kg

*Ensure proper protection against freezing weather.

Flow vs. Pressure curve – Mains Inlet



Flow vs. Pressure curve – Pump Inlet



Proudly manufactured by



4 Squires Way, Croydon South
Victoria 3136 Australia

+61 3 9878 1575
+61 3 9894 2820

acquasaver.com.au

Available from: