

CM[®] LODESTAR[®]

DIMENSION DRAWINGS

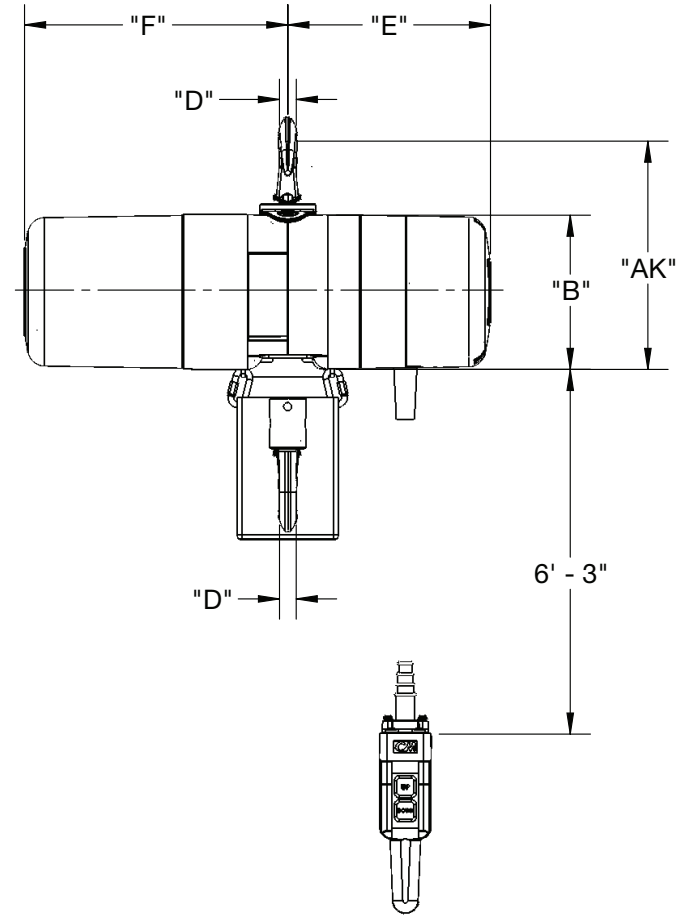
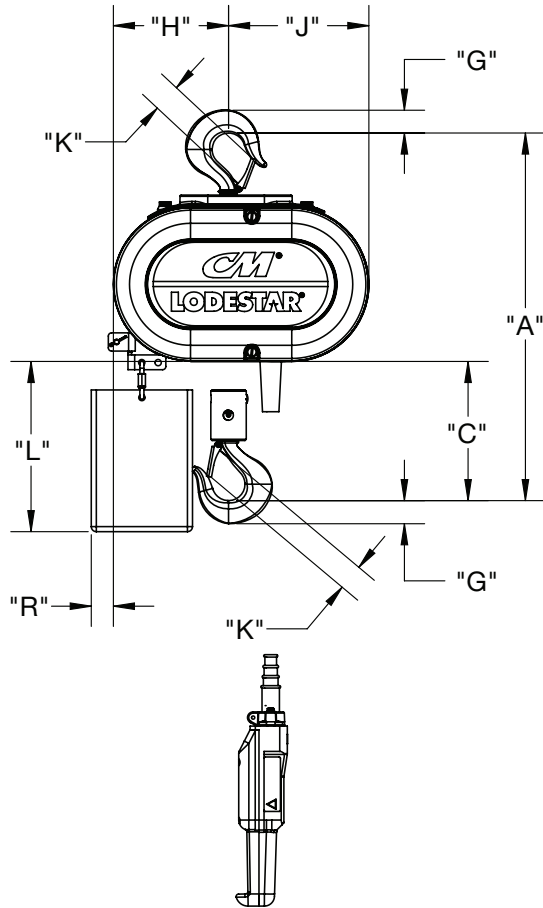


PAGE #	DRAWING #	DESCRIPTION	MODELS
2	NA	Lodestar & Trolley Clearance Dimensions	These pages contain the dimensions for all Lodestar Models. See pages 6-33 for specific model drawings.
3	NA	Lodestar - Hook Suspension	
4	NA	Lodestar - Series 635 Low Headroom Trolley	
5	NA	Lodestar - Series 635 Motor Driven Trolley	
6	00001462	V2 Lodestar - Single Reeved w/Low Headroom Trolley Lug	
7	00001463	V2 Lodestar - Single Reeved w/ Motor Driven Trolley Lug	J, J2, JJ, JJ2, L, L2, LL, LL2
8	00001464	V2 Lodestar - Single Reeved w/Rigid Hook Suspension	J, J2, JJ, JJ2, L, L2, LL, LL2
9	00001465	V2 Lodestar - Single Reeved w/Swivel Hook Suspension	J, J2, JJ, JJ2, L, L2, LL, LL2
10	00001466	V2 Lodestar - Single Reeved w/Low Headroom Trolley	J, J2, JJ, JJ2, L, L2, LL, LL2
11	00001467	V2 Lodestar - Single Reeved w/Motor Driven Trolley	J, J2, JJ, JJ2, L, L2, LL, LL2
12	00001468	V2 Lodestar - Double Reeved w/Trolley Lug	R, R2, RR, RR2
13	00001469	V2 Lodestar - Double Reeved w/Rigid Hook Suspension	R, R2, RR, RR2
14	00001470	V2 Lodestar - Double Reeved w/Swivel Hook Suspension	R, R2, RR, RR2
15	00001471	V2 Lodestar - Double Reeved w/Low Headroom Trolley	R, R2, RR, RR2
16	00001472	V2 Lodestar - Double Reeved w/Motor Driven Trolley	R, R2, RR, RR2
17	00001473	V2 Lodestar - Triple Reeved w/Trolley Lug	RT, RT2, RRT, RRT2
18	00001474	V2 Lodestar - Triple Reeved w/Rigid Hook Suspension	RT, RT2, RRT, RRT2
19	00001475	V2 Lodestar - Triple Reeved w/Swivel Hook Suspension	RT, RT2, RRT, RRT2
20	00001476	V2 Lodestar - Triple Reeved w/Low Headroom Trolley	RT, RT2, RRT, RRT2
21	00001477	V2 Lodestar - Triple Reeved w/Motor Driven Trolley	RT, RT2, RRT, RRT2
22	00001479	V1 Lodestar - Single Reeved w/Low Headroom Trolley Lug	A, A2, AA, AA2, B, B2, C, C2, F, F2
23	00001480	V1 Lodestar - Single Reeved w/ Motor Driven Trolley Lug	A, A2, AA, AA2, B, B2, C, C2, F, F2
24	00001481	V1 Lodestar - Single Reeved w/Rigid Hook Suspension	A, A2, AA, AA2, B, B2, C, C2, F, F2
25	00001482	V1 Lodestar - Single Reeved w/Swivel Hook Suspension	A, A2, AA, AA2, B, B2, C, C2, F, F2
26	00001483	V1 Lodestar - Single Reeved w/Low Headroom Trolley	A, A2, AA, AA2, B, B2, C, C2, F, F2
27	00001484	V1 Lodestar - Single Reeved w/Motor Driven Trolley	A, A2, AA, AA2, B, B2, C, C2, F, F2
28	00001485	V1 Lodestar - Double Reeved w/Low Headroom Trolley Lug	E, E2, H, H2
29	00001486	V1 Lodestar - Double Reeved w/ Motor Driven Trolley Lug	E, E2, H, H2
30	00001487	V1 Lodestar - Double Reeved w/Rigid Hook Suspension	E, E2, H, H2
31	00001488	V1 Lodestar - Double Reeved w/Swivel Hook Suspension	E, E2, H, H2
32	00001489	V1 Lodestar - Double Reeved w/Low Headroom Trolley	E, E2, H, H2
33	00001490	V1 Lodestar - Double Reeved w/Motor Driven Trolley	E, E2, H, H2

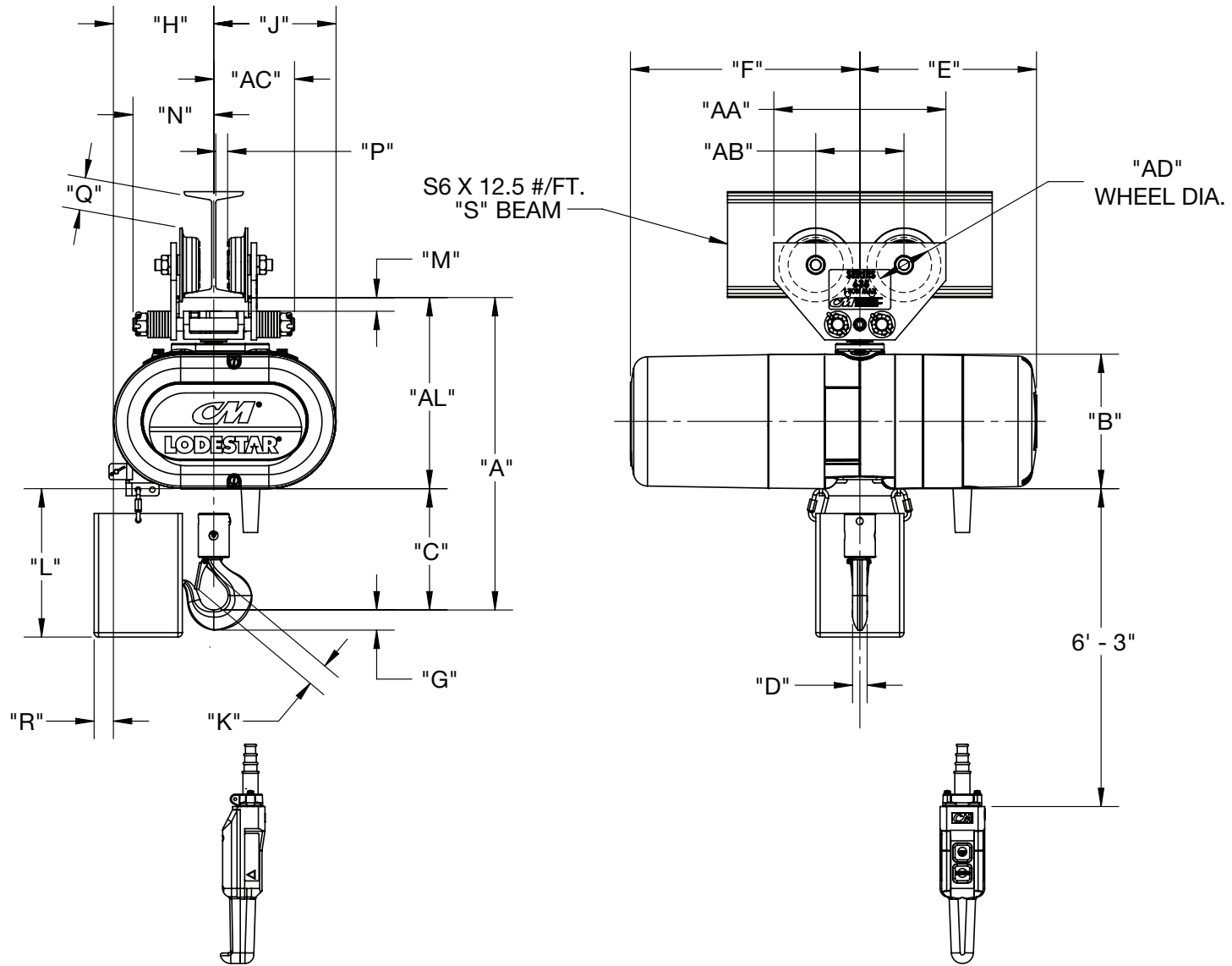
LODESTAR & TROLLEY CLEARANCE DIMENSIONS

		MODELS					
VARIABLE DIMS.		A, B, C, F and AA (in.)	E and H (in.)	J, L, JJ and LL (in.)	R (in.)	RR (in.)	RT and RRT (in.)
A	Hook	16 15/16	21 9/16	18 1/8	25 13/16	25 13/16	32 1/2
	Tro. L.H.	16 13/16	21 3/16	17 3/4	25 13/16	25 13/16	33 5/8
	Tro. M.D.	17 1/4	21 5/8	18 1/8	25 1/8	25 1/8	33 1/2
B		6 1/16	6 1/16	7 5/8	7 5/8	7 5/8	7 5/8
C		7 5/8	12	6 7/8	13 13/16	13 13/16	19 13/16
D		11/16	13/16	13/16	1 1/8	1 1/8	1 1/8
E		11 13/16	11 13/16	10	10	10	10
F		8 15/16	8 15/16	13	13	13	13
G		15/16	1 1/8	1 1/8	1 1/2	1 1/2	1 1/2
H		4 7/16	3 7/16	5 11/16	7 1/16	7 1/16	7 5/16
J		4 1/4	5 1/4	6 15/16	5 9/16	5 9/16	5 5/16
K		1 1/8	1 1/4	1 1/4	1 1/2	1 1/2	1 1/2
L		9"	12"	12 1/2	18 1/2	18 1/2	24 1/2
M		13/16	13/16	13/16	7/8	7/8	7/8
N		4 9/16	4 9/16	4 9/16	5	5	6 9/16
P		3/8	3/8	3/8	9/16	9/16	1 7/16
Q		1 13/16	1 13/16	1 13/16	1 7/8	1 7/8	10 1/4
R		2 1/8	2 1/8	11/16	11/16	11/16	11/16
AA		9 3/4	9 3/4	9 3/4	13	13	12 1/2
AB		5	5	5	6	6	6
AC		4 9/16	4 9/16	4 9/16	5	5	6 9/16
AD		3 1/8	3 1/8	3 1/8	4 3/4	4 3/4	4
AE		4 7/16	4 7/16	4 1/2	4 7/16	4 7/16	4 1/2
AF		4 7/8	4 7/8	4 7/8	4 7/8	4 7/8	4 7/8
AG		15/16	15/16	15/16	15/16	15/16	1 7/16
AH		13/16	13/16	13/16	13/16	13/16	7/8
AJ		13/16	13/16	13/16	13/16	13/16	13/16
AK		9 5/16	9 9/16	11 1/4	12	12	12 11/16
AL		9 3/16	9 3/16	14 3/4	11 3/8	11 3/8	13 13/16
AM		9 5/8	9 5/8	11 1/4	11 5/16	11 5/16	13 11/16

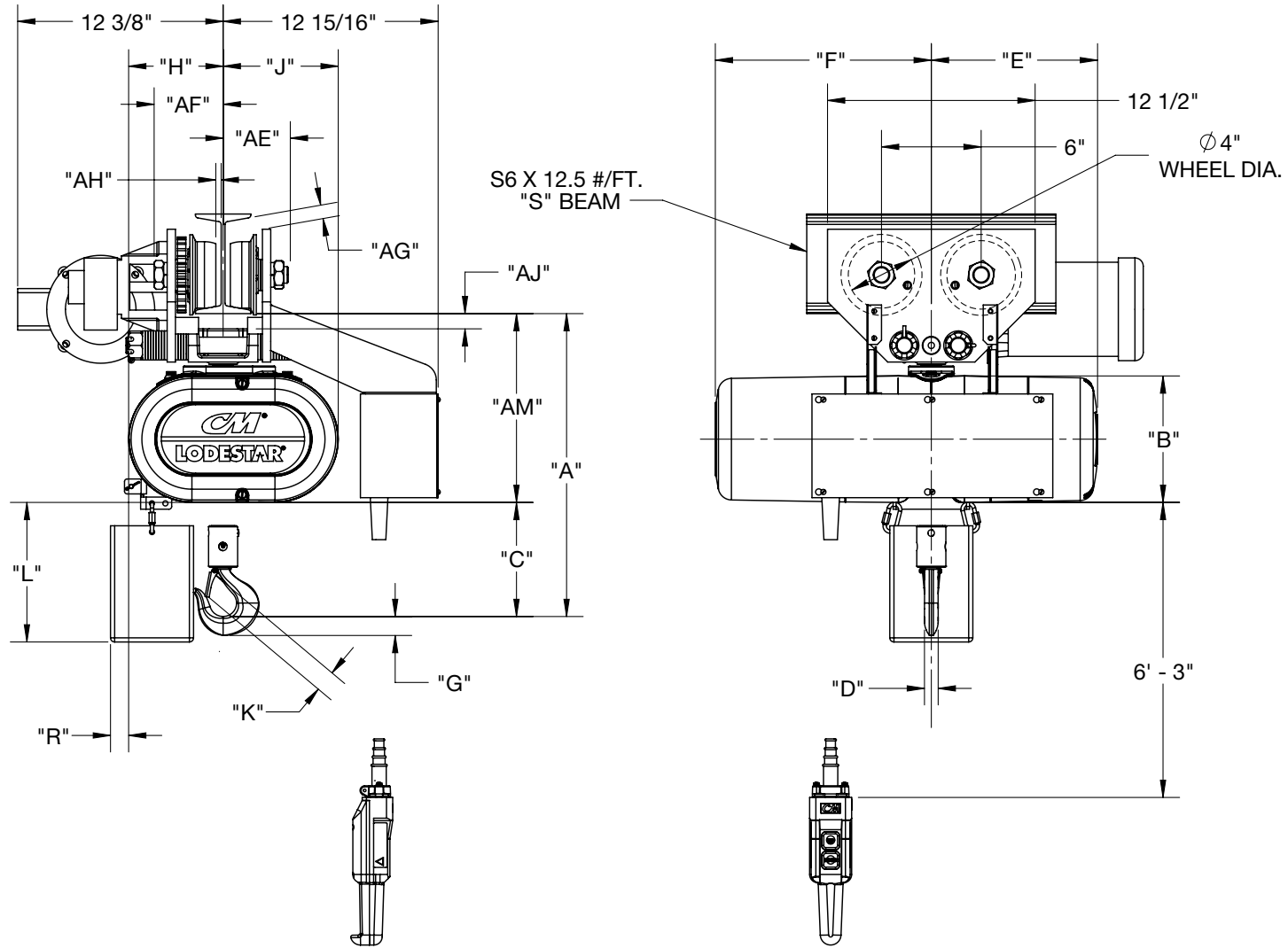
HOOK SUSPENSION



SERIES 635 LOW HEADROOM TROLLEY

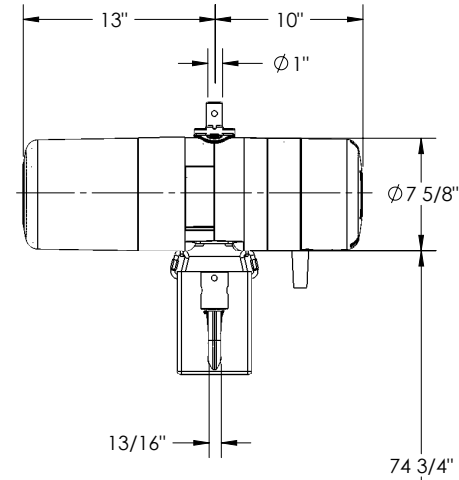
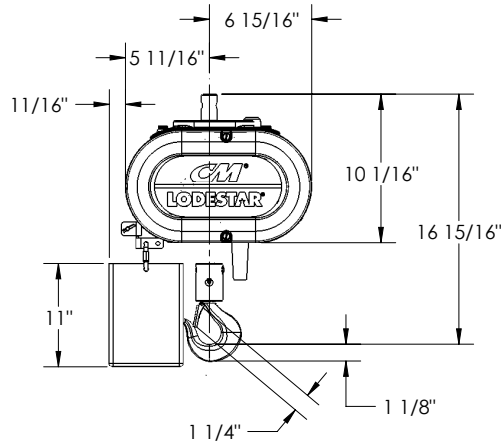


SERIES 635 MOTOR DRIVEN TROLLEY



8 7 6 5 4 3 2 1

Columbus McKinnon Corporation
Amherst, NY USA



D

C

B

A

NOTICE TO PERSONS RECEIVING THIS DRAWING AND/OR TECHNICAL INFORMATION
 Columbus McKinnon Corporation (CMCO) claims proprietary rights in the material disclosed herein. This drawing and/or technical information is issued in confidence for engineering information only and may not be reproduced or used to manufacture anything shown or referred to herein without direct written permission from CMCO. All information is owned by CMCO and is subject to recall by CMCO at any time. This drawing and/or technical information is the property of CMCO.

Standard Dimensional Tolerances Unless Otherwise Specified		Dimensional Units INCH	
	0" to .60"	Over .60"	
X	± .020	± .025	 Third Angle Projection
XX	± .010	± .015	
XXX	± .005	± .010	
Ang	± 0°30'	± 0°30'	

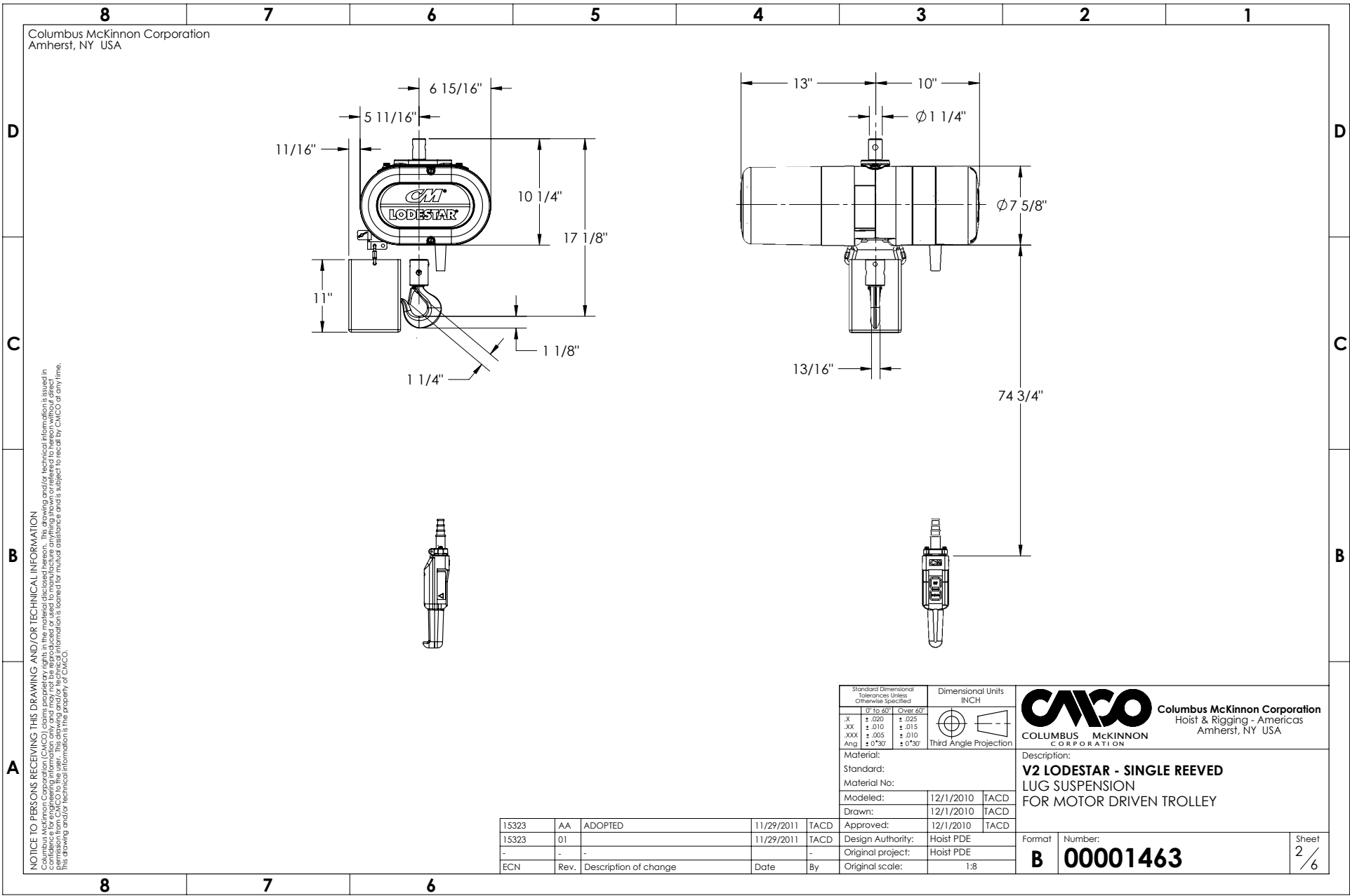
Columbus McKinnon Corporation
Hoist & Rigging - Americas
Amherst, NY USA

Material:		Description:	
Standard:		V2 LODESTAR - SINGLE REEVED LUG SUSPENSION FOR LOW HEADROOM TROLLEY	
Material No:			
Modeled:	12/1/2010	TACD	
Drawn:	12/1/2010	TACD	
Approved:	12/1/2010	TACD	
Design Authority:	Hoist PDE		
Original project:	Hoist PDE		
Original scale:	1:8		

Format	Number:	Sheet
B	00001462	1/6

ECN	Rev.	Description of change	Date	By
15323	AA	ADOPTED	11/29/2011	TACD
15323	01		11/29/2011	TACD
-	-	-	-	-

8 7 6



NOTICE TO PERSONS RECEIVING THIS DRAWING AND/OR TECHNICAL INFORMATION
 Columbus McKinnon Corporation (CMCO) claims proprietary rights in the material disclosed herein. This drawing and/or technical information is issued in confidence for engineering information only and may not be reproduced, or used to manufacture anything shown or referred to herein without direct written permission from CMCO. This drawing and/or technical information is loaned for mutual assistance and is subject to recall by CMCO at any time. This drawing and/or technical information is the property of CMCO.

Standard Dimensional Tolerances Unless Otherwise Specified		Dimensional Units INCH	
	0' to 60'	Over 60'	
X	± .020	± .025	 Third Angle Projection
XX	± .010	± .015	
XXX	± .005	± .010	
Ang	± 0°30'	± 0°30'	

CMCO Columbus McKinnon Corporation
 COLUMBUS MCKINNON CORPORATION
 Hoist & Rigging - Americas
 Amherst, NY USA

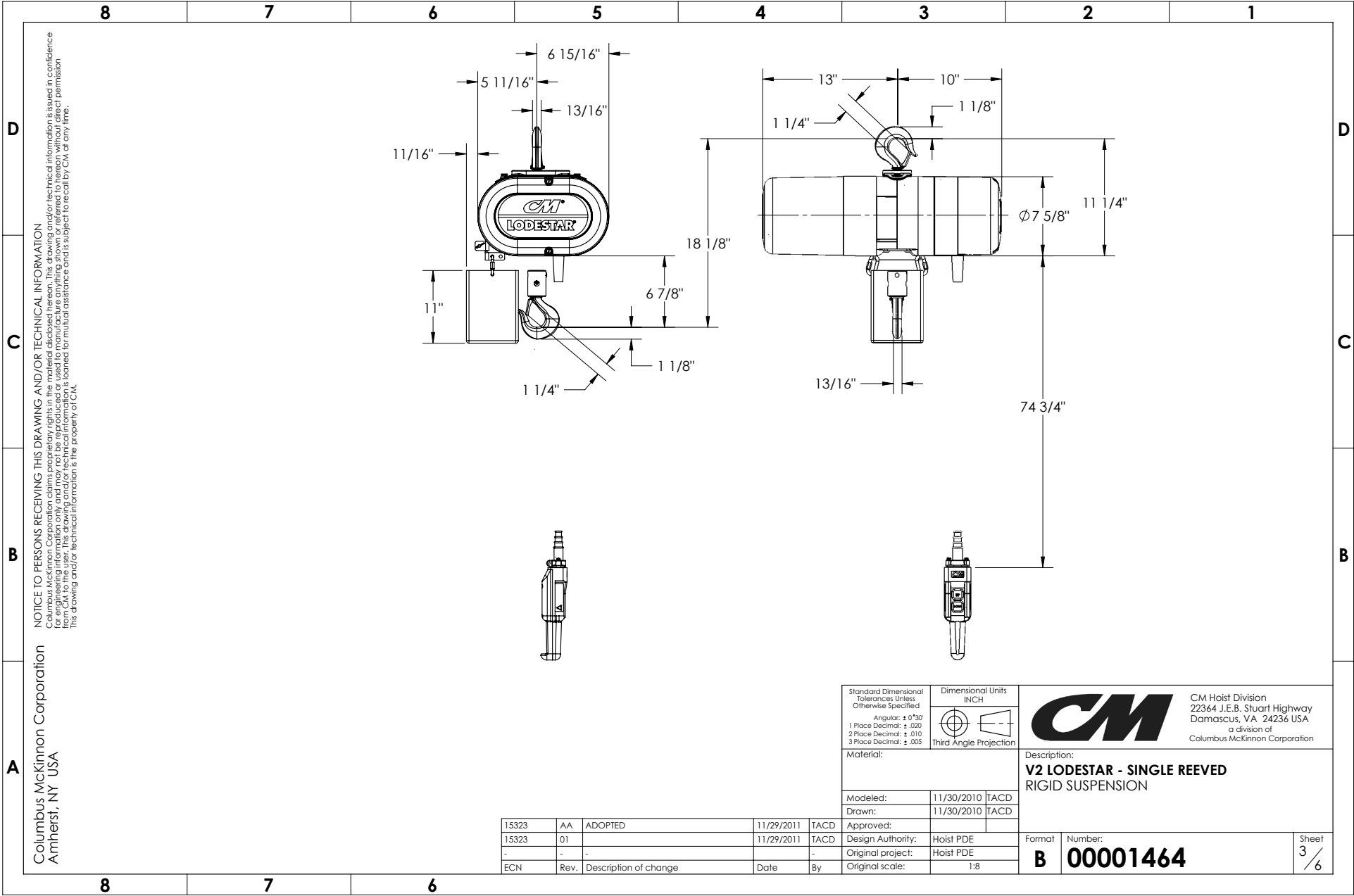
Material: _____
 Standard: _____
 Material No: _____
 Modeled: 12/1/2010 TACD
 Drawn: 12/1/2010 TACD
 Approved: 12/1/2010 TACD
 Design Authority: Hoist PDE
 Original project: Hoist PDE
 Original scale: 1:8

Description:
V2 LODESTAR - SINGLE REEVED LUG SUSPENSION FOR MOTOR DRIVEN TROLLEY

Format **B** Number: **00001463**

Sheet **2** / **6**

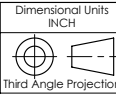
ECN	Rev.	Description of change	Date	By
15323	AA	ADOPTED	11/29/2011	TACD
15323	01		11/29/2011	TACD
-	-	-	-	-



NOTICE TO PERSONS RECEIVING THIS DRAWING AND/OR TECHNICAL INFORMATION
 Columbus McKinnon Corporation claims proprietary rights in the material disclosed herein. This drawing and/or technical information is issued in confidence and is the property of Columbus McKinnon Corporation. It is to be used only for the project and for the use intended by Columbus McKinnon Corporation. No part of this drawing and/or technical information is to be reproduced, stored in a retrieval system, or transmitted in any form or by any means, electronic, mechanical, photocopying, recording, or by any information storage and retrieval system, without the prior written permission of Columbus McKinnon Corporation. This drawing and/or technical information is the property of CM.

Columbus McKinnon Corporation
 Amherst, NY USA

Standard Dimensional Tolerances Unless Otherwise Specified
 Angular: ± 0°30'
 1 Place Decimal: ± .020
 2 Place Decimal: ± .010
 3 Place Decimal: ± .005

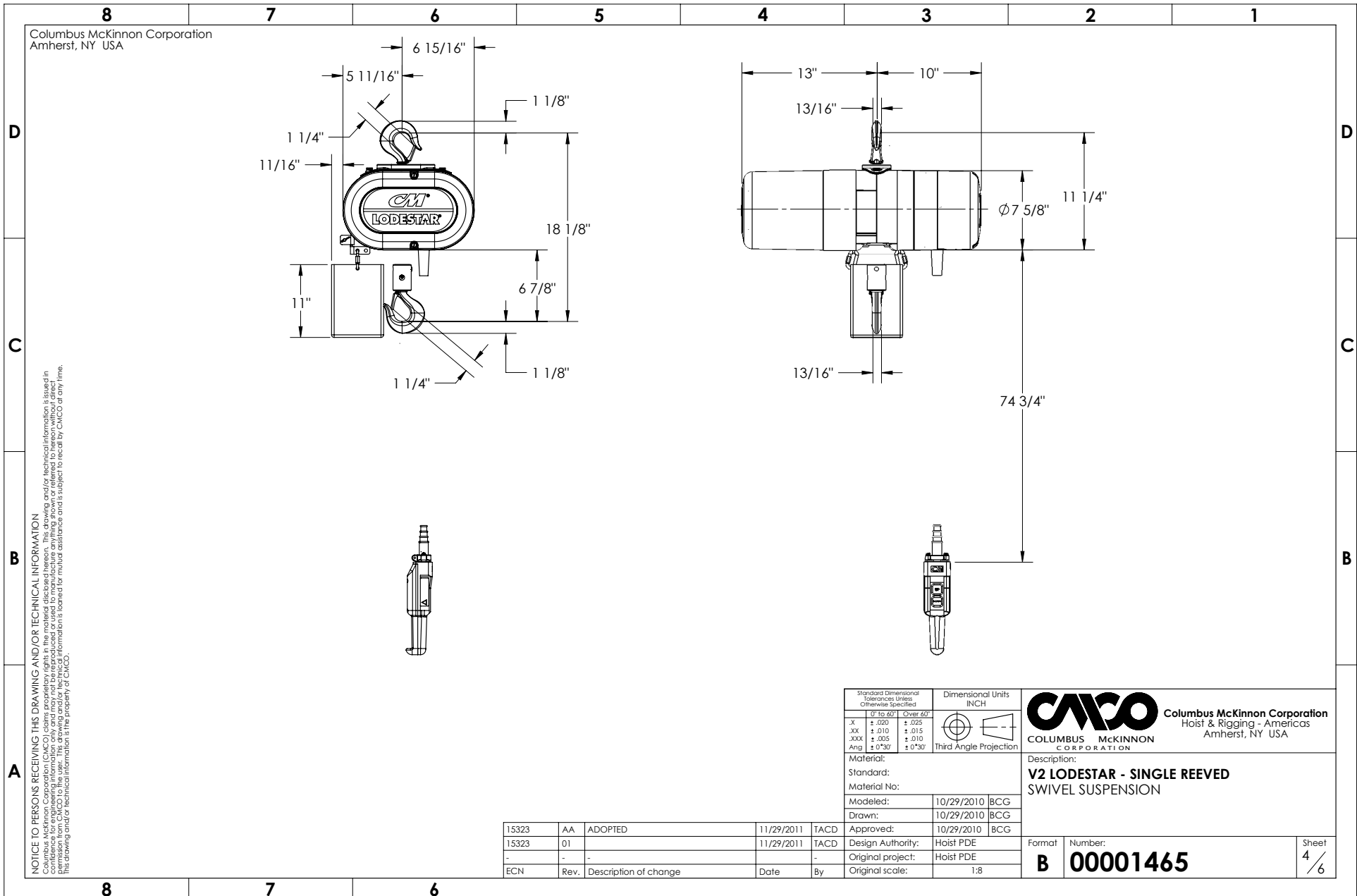


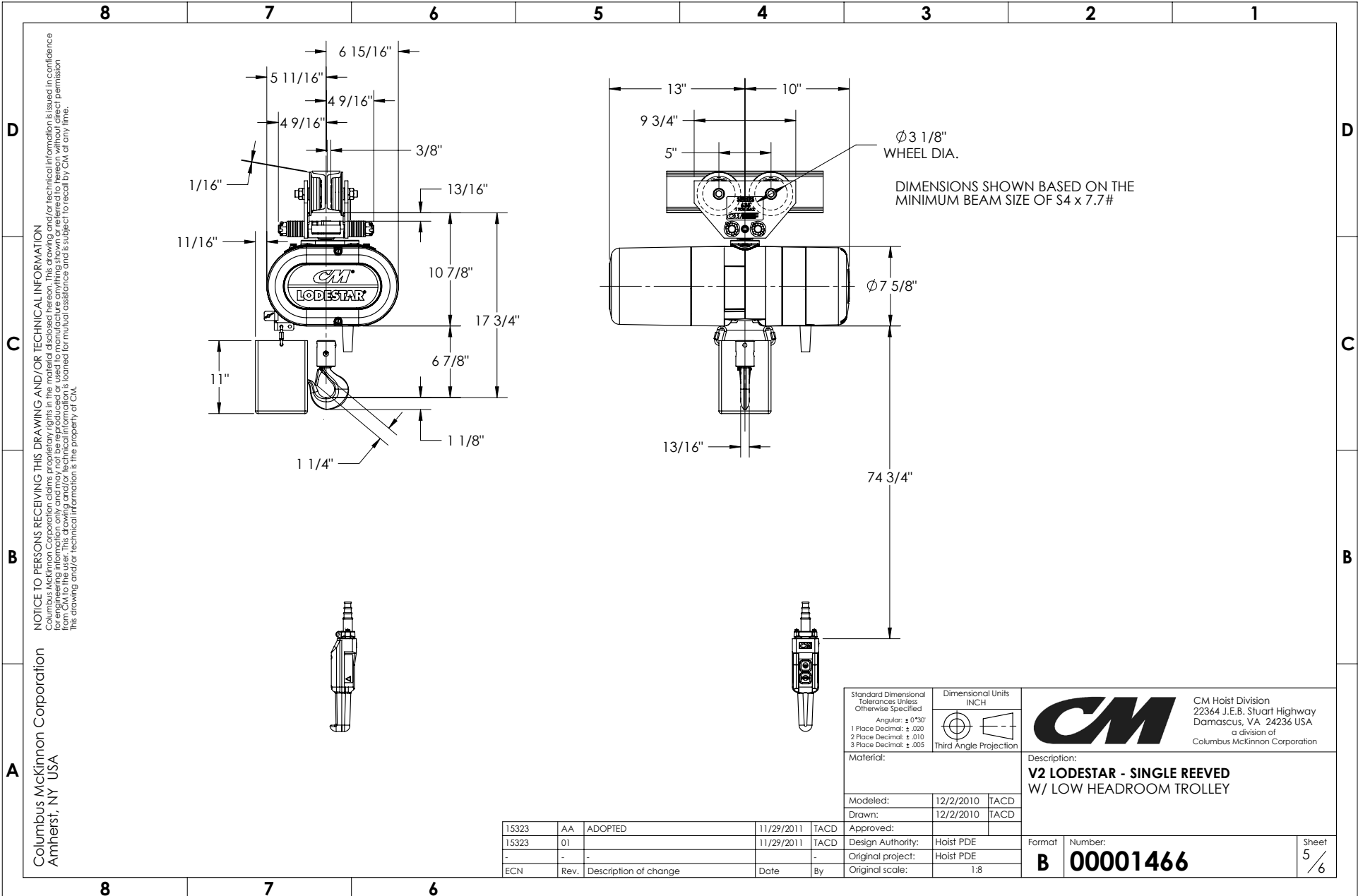
CM Hoist Division
 22364 J.E.B. Stuart Highway
 Damascus, VA 24236 USA
 a division of
 Columbus McKinnon Corporation

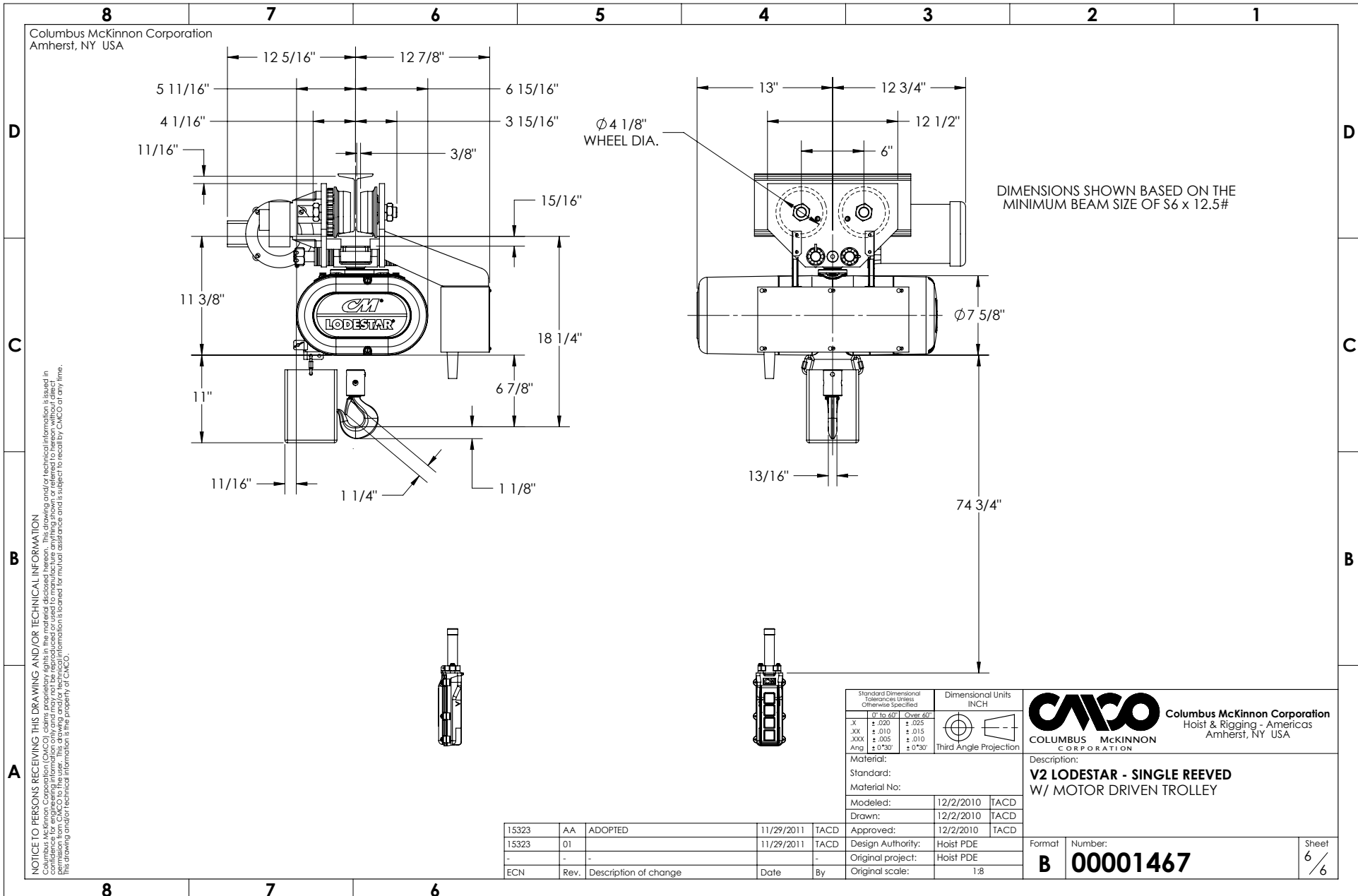
Description:
V2 LODESTAR - SINGLE REEVED RIGID SUSPENSION

15323	AA	ADOPTED	11/29/2011	TACD	
15323	01		11/29/2011	TACD	Design Authority: Hoist PDE
-	-	-	-	-	Original project: Hoist PDE
ECN	Rev.	Description of change	Date	By	Original scale: 1:8

Format **B** Number: **00001464** Sheet **3/6**







NOTICE TO PERSONS RECEIVING THIS DRAWING AND/OR TECHNICAL INFORMATION
 Columbus McKinnon Corporation (CMCO) hereby reserves all rights in this drawing and/or technical information. This drawing and/or technical information is issued in confidence for engineering information only and may not be reproduced or used to manufacture anything shown or referred to hereon without direct written permission from CMCO. This drawing and/or technical information is loaned for your use only and is the property of CMCO.

Standard Dimensional Tolerances Unless Otherwise Specified		Dimensional Units INCH	
	0' to 60'	Over 60'	
X	± .020	± .025	 Third Angle Projection
XX	± .010	± .015	
XXX	± .005	± .010	
Ang	± 0°30'	± 0°30'	

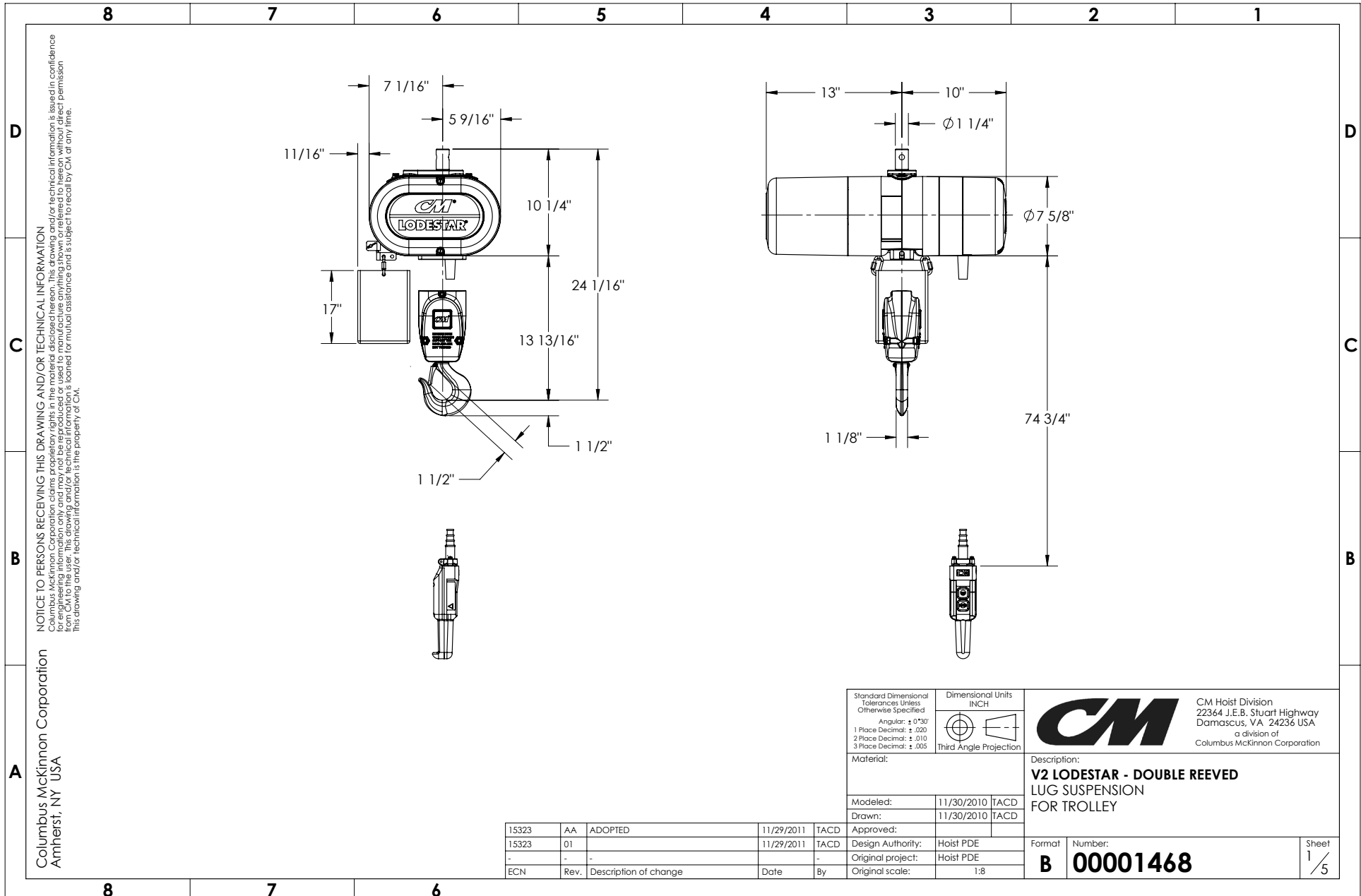
Columbus McKinnon Corporation
Hoist & Rigging - Americas
Amherst, NY USA

Material:		
Standard:		
Material No.:		
Modeled:	12/2/2010	TACD
Drawn:	12/2/2010	TACD
Approved:	12/2/2010	TACD
Design Authority:	Hoist PDE	
Original project:	Hoist PDE	
Original scale:	1:8	

Description:
**V2 LODESTAR - SINGLE REEVED
W/ MOTOR DRIVEN TROLLEY**

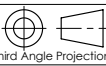

Format	Number:	Sheet
B	00001467	6/6

ECN	Rev.	Description of change	Date	By
15323	AA	ADOPTED	11/29/2011	TACD
15323	01		11/29/2011	TACD
-	-	-	-	-

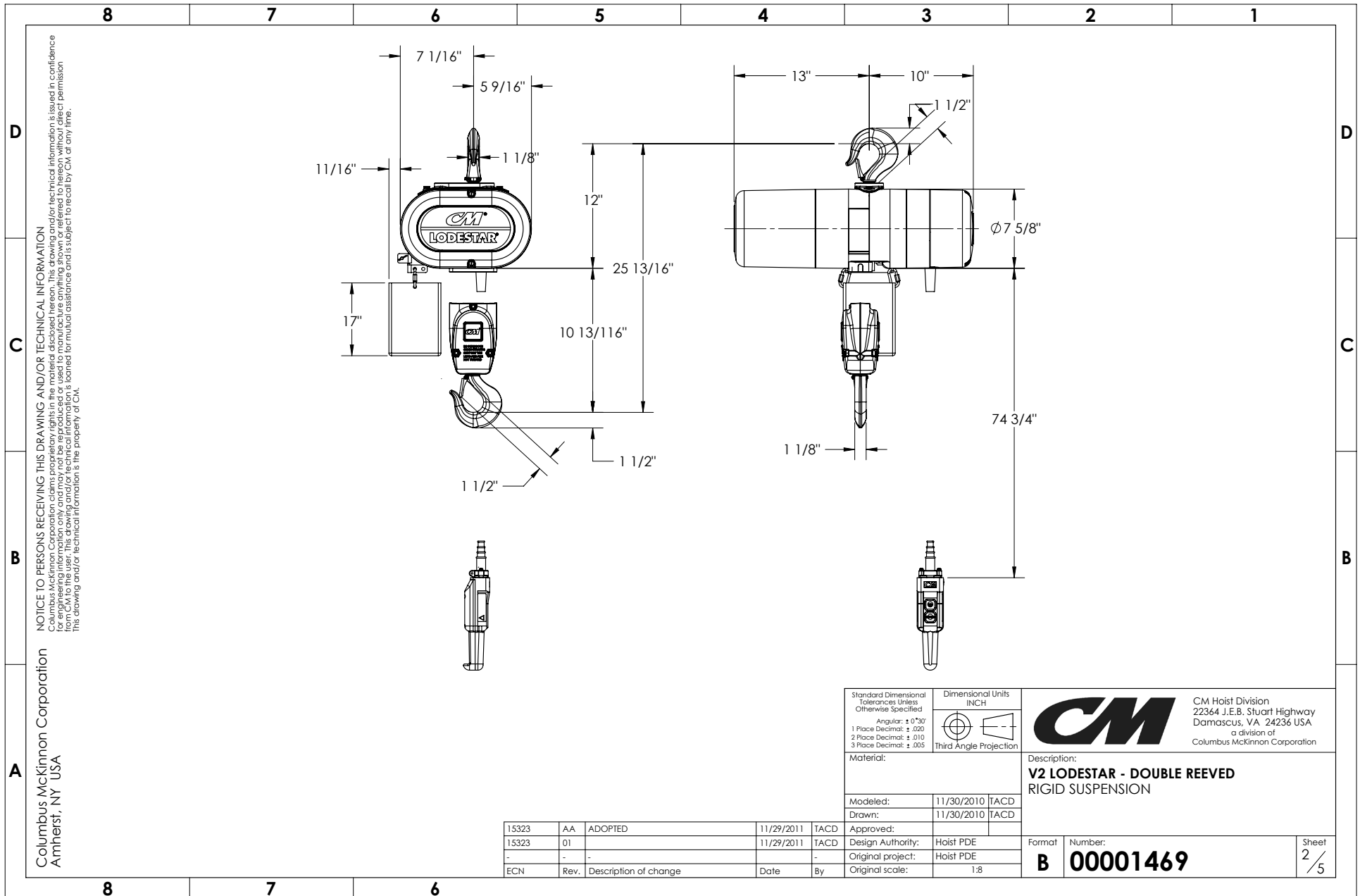


NOTICE TO PERSONS RECEIVING THIS DRAWING AND/OR TECHNICAL INFORMATION
 Columbus McKinnon Corporation claims proprietary rights in the material disclosed hereon. This drawing and/or technical information is issued in confidence and is not to be distributed, copied, reproduced, or otherwise used in any manner without the prior written permission of Columbus McKinnon Corporation. This drawing and/or technical information is loaned for mutual assistance and is subject to recall by CM at any time. This drawing and/or technical information is the property of CM.

Columbus McKinnon Corporation
 Amherst, NY USA

Standard Dimensional Tolerances Unless Otherwise Specified Angular: ± 0°30' 1 Place Decimal: ± .020 2 Place Decimal: ± .010 3 Place Decimal: ± .005	Dimensional Units INCH  Third Angle Projection		CM Hoist Division 22364 J.E.B. Stuart Highway Damascus, VA 24236 USA a division of Columbus McKinnon Corporation	
Material:			Description: V2 LODESTAR - DOUBLE REEVED LUG SUSPENSION FOR TROLLEY	
Modeled:	11/30/2010	TACD		
Drawn:	11/30/2010	TACD		
Approved:			Format	Number:
Design Authority:	Hoist PDE		B	00001468
Original project:	Hoist PDE			Sheet 1/5
Original scale:	1:8			

ECN	Rev.	Description of change	Date	By
15323	AA	ADOPTED	11/29/2011	TACD
15323	01		11/29/2011	TACD
-	-	-	-	-



NOTICE TO PERSONS RECEIVING THIS DRAWING AND/OR TECHNICAL INFORMATION
 Columbus McKinnon Corporation claims proprietary rights in the material disclosed herein. This drawing and/or technical information is issued in confidence and is not to be distributed, copied, or otherwise used without the express written permission of Columbus McKinnon Corporation. This drawing and/or technical information is loaned for mutual assistance and is subject to recall by CM at any time. This drawing and/or technical information is the property of CM.

Columbus McKinnon Corporation
 Amherst, NY USA

Standard Dimensional Tolerances Unless Otherwise Specified

Angular: ± 0°30'

1 Place Decimal: ± .000

2 Place Decimal: ± .010

3 Place Decimal: ± .005

Dimensional Units INCH

Third Angle Projection

CM

CM Hoist Division
 22364 J.E.B. Stuart Highway
 Damascus, VA 24236 USA
 a division of
 Columbus McKinnon Corporation

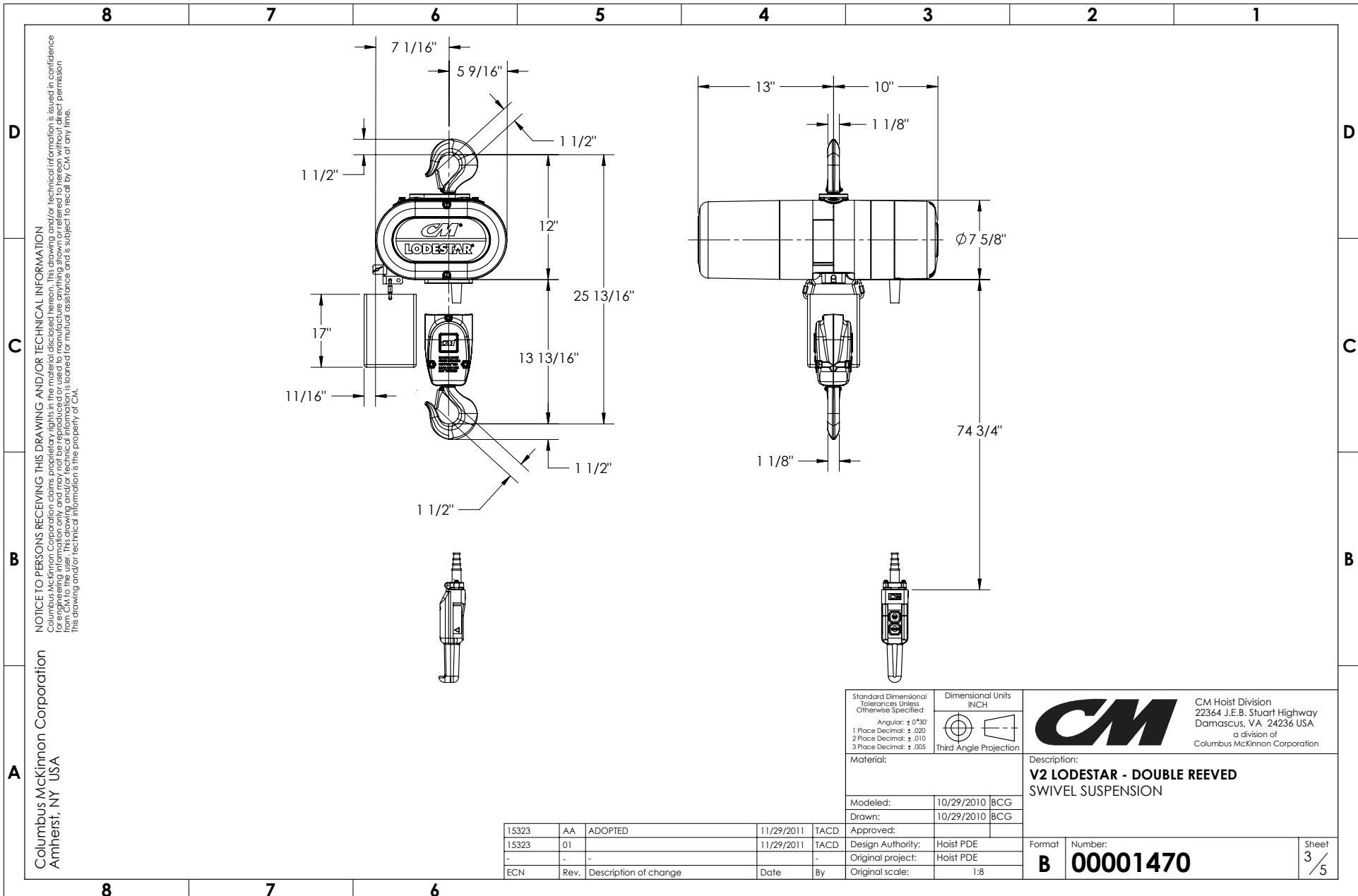
Description:
V2 LODESTAR - DOUBLE REEVED RIGID SUSPENSION

Modeled:	11/30/2010	TACD
Drawn:	11/30/2010	TACD
Approved:		
Design Authority:	Hoist PDE	
Original project:	Hoist PDE	
Original scale:	1:8	

Format: **B** Number: **00001469**

Sheet **2/5**

ECN	Rev.	Description of change	Date	By
15323	AA	ADOPTED	11/29/2011	TACD
15323	01		11/29/2011	TACD
-	-	-	-	-



Columbus McKinnon Corporation
Amherst, NY USA

NOTICE TO PERSONS RECEIVING THIS DRAWING AND/OR TECHNICAL INFORMATION
Columbus McKinnon Corporation claims proprietary rights in the material disclosed herein. This drawing and/or technical information is issued in confidence and is not to be distributed, copied, or used in any way without the express written permission of CM. This drawing and/or technical information is issued for mutual assistance and is subject to recall by CM at any time.
This drawing and/or technical information is the property of CM.

Standard Dimensional Tolerances Unless Otherwise Specified
Angular: ± 0°30'
1 Place Decimal: ± .020
2 Place Decimal: ± .010
3 Place Decimal: ± .005

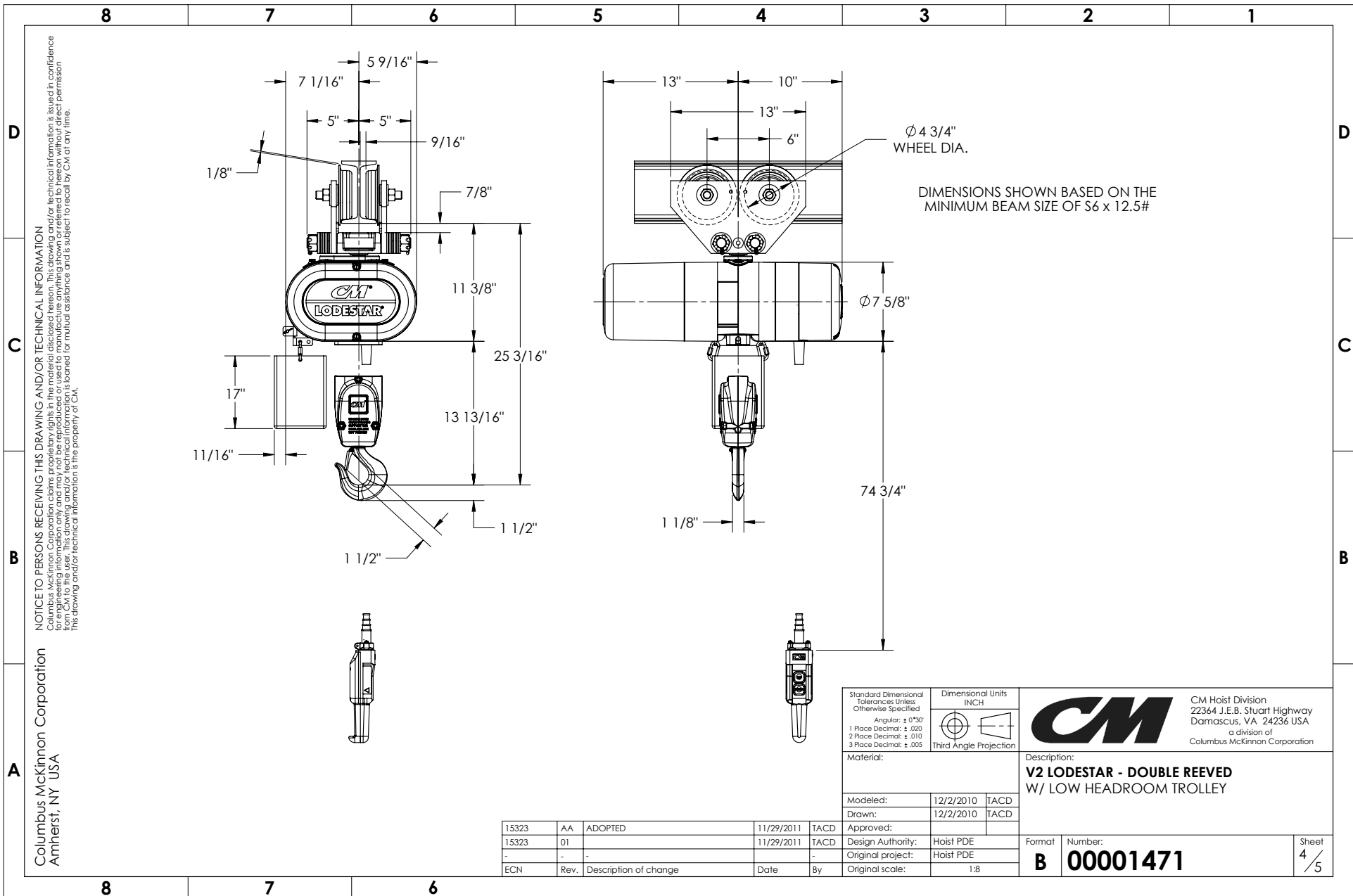
Dimensional Units
INCH

Third Angle Projection

CM
CM Hoist Division
22364 J.E.B. Stuart Highway
Damascus, VA 24236 USA
a division of
Columbus McKinnon Corporation

Material:		Description: V2 LODESTAR - DOUBLE REEVED SWIVEL SUSPENSION	
Modeled:	10/29/2010	BCG	
Drawn:	10/29/2010	BCG	
Approved:			
Design Authority:	Hoist PDE		Format
Original project:	Hoist PDE		Number:
Original scale:	1:8		B 00001470
			Sheet 3/5

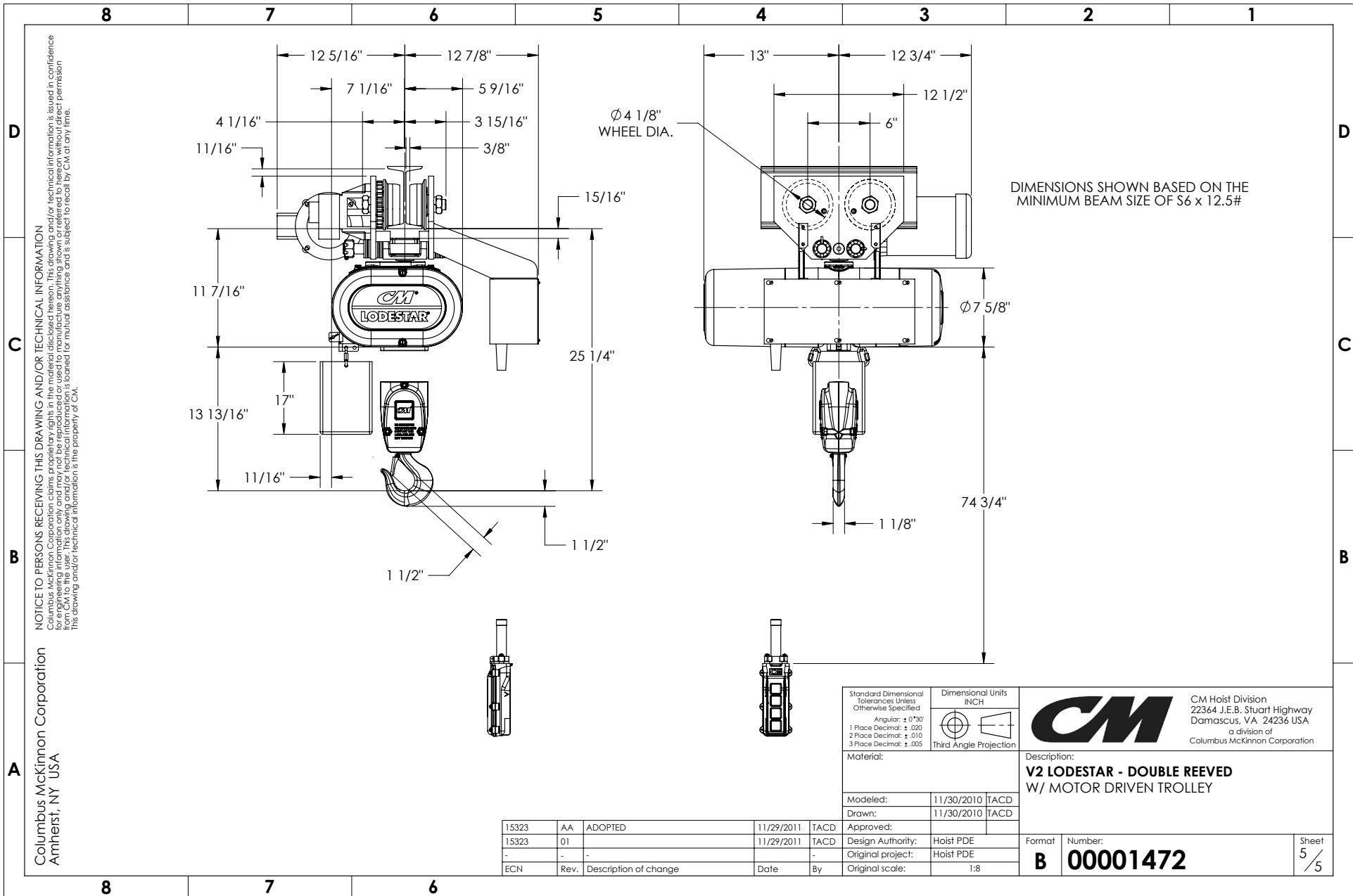
ECN	Rev.	Description of change	Date	By
15323	AA	ADOPTED	11/29/2011	TACD
15323	01		11/29/2011	TACD
-	-	-	-	-



NOTICE TO PERSONS RECEIVING THIS DRAWING AND/OR TECHNICAL INFORMATION
 Columbus McKinnon Corporation claims proprietary rights in the material disclosed herein. This drawing and/or technical information is issued in confidence and is not to be distributed, copied, or otherwise used without the express written permission of Columbus McKinnon Corporation. This drawing and/or technical information is loaned for mutual assistance and is subject to recall by CM at any time. This drawing and/or technical information is the property of CM.

Columbus McKinnon Corporation
 Amherst, NY USA

Standard Dimensional Tolerances Unless Otherwise Specified Angular: ± 0°30' 1 Place Decimal: ± .020 2 Place Decimal: ± .010 3 Place Decimal: ± .005		Dimensional Units INCH			CM Hoist Division 22364 J.E.B. Stuart Highway Damascus, VA 24236 USA a division of Columbus McKinnon Corporation				
Material:		Third Angle Projection			Description: V2 LODESTAR - DOUBLE REEVED W/ LOW HEADROOM TROLLEY				
Modeled: 12/2/2010		TACD		Format: B		Number: 00001471			
Drawn: 12/2/2010		TACD		Sheet 4/5					
Approved:		Design Authority: Hoist PDE		Original project: Hoist PDE		Original scale: 1:8			
15323 AA ADOPTED		11/29/2011 TACD		15323 01					
ECN		Rev.		Description of change		Date		By	



Columbus McKinnon Corporation
Amherst, NY USA

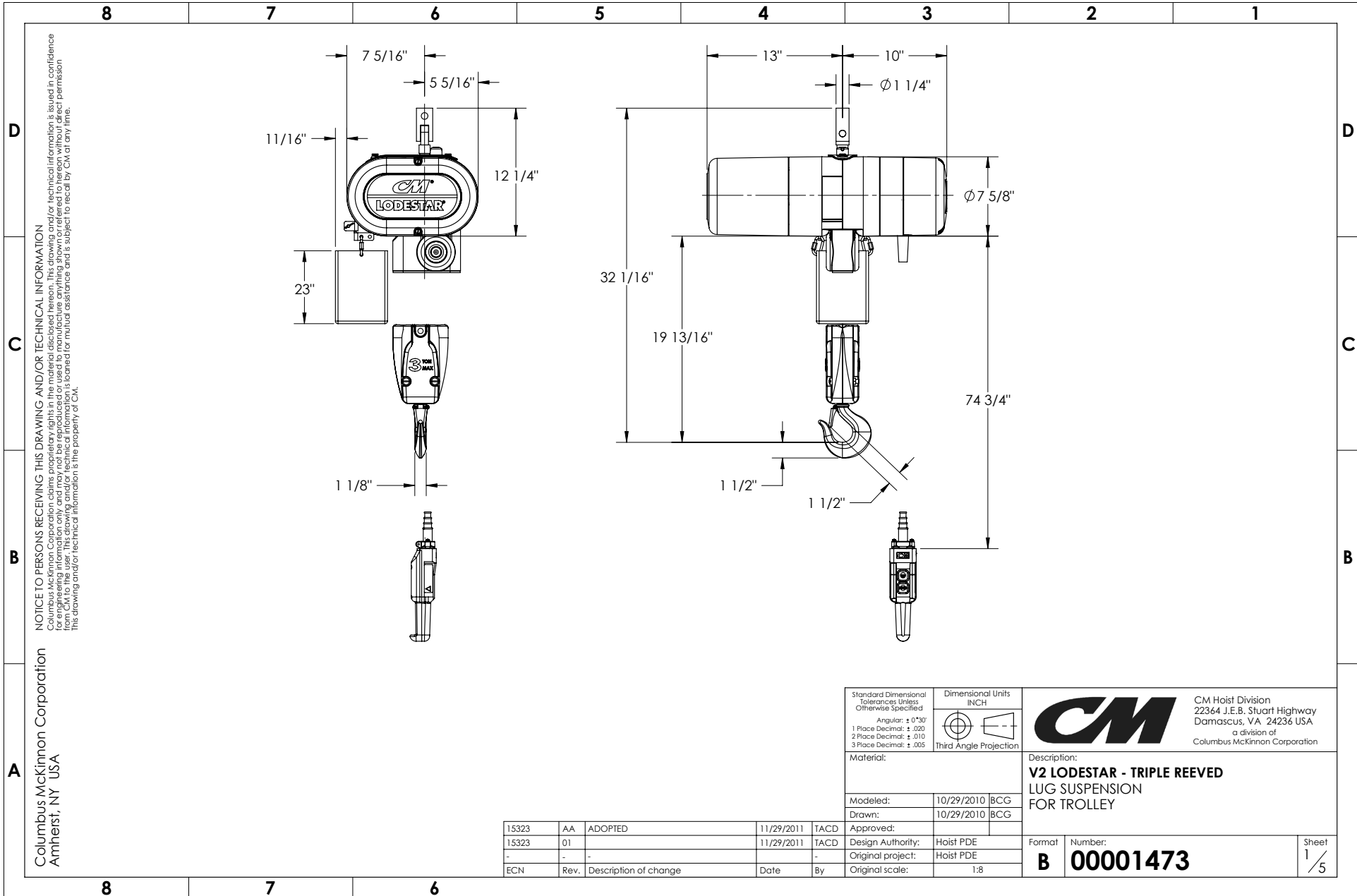
Standard Dimensional Tolerances Unless Otherwise Specified: Angular: ± 0°30' 1 Place Decimal: ± .020 2 Place Decimal: ± .010 3 Place Decimal: ± .005	Dimensional Units INCH
--	-------------------------------

CM CM Hoist Division
22364 J.E.B. Stuart Highway
Damascus, VA 24236 USA
a division of
Columbus McKinnon Corporation

Material:		
Modeled:	11/30/2010	TACD
Drawn:	11/30/2010	TACD
Approved:		
Design Authority:	Hoist PDE	
Original project:	Hoist PDE	
Original scale:	1:8	

Description: V2 LODESTAR - DOUBLE REEVED W/ MOTOR DRIVEN TROLLEY	
Format B	Number: 00001472
Sheet 5/5	

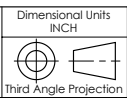
ECN	Rev.	Description of change	Date	By
15323	AA	ADOPTED	11/29/2011	TACD
15323	01		11/29/2011	TACD
-	-		-	-



NOTICE TO PERSONS RECEIVING THIS DRAWING AND/OR TECHNICAL INFORMATION
 Columbus McKinnon Corporation claims proprietary rights in the material disclosed herein. This drawing and/or technical information is issued in confidence and is not to be used, copied, reproduced, or transmitted in any form or by any means, electronic or mechanical, including photocopying, recording, or by any information storage and retrieval system, without the prior written permission from CM to the user. This drawing and/or technical information is loaned for mutual assistance and is subject to recall by CM at any time.
 This drawing and/or technical information is the property of CM.

Columbus McKinnon Corporation
 Amherst, NY USA

Standard Dimensional Tolerances Unless Otherwise Specified
 Angular: ± 0°30'
 1 Place Decimal: ± .020
 2 Place Decimal: ± .010
 3 Place Decimal: ± .005

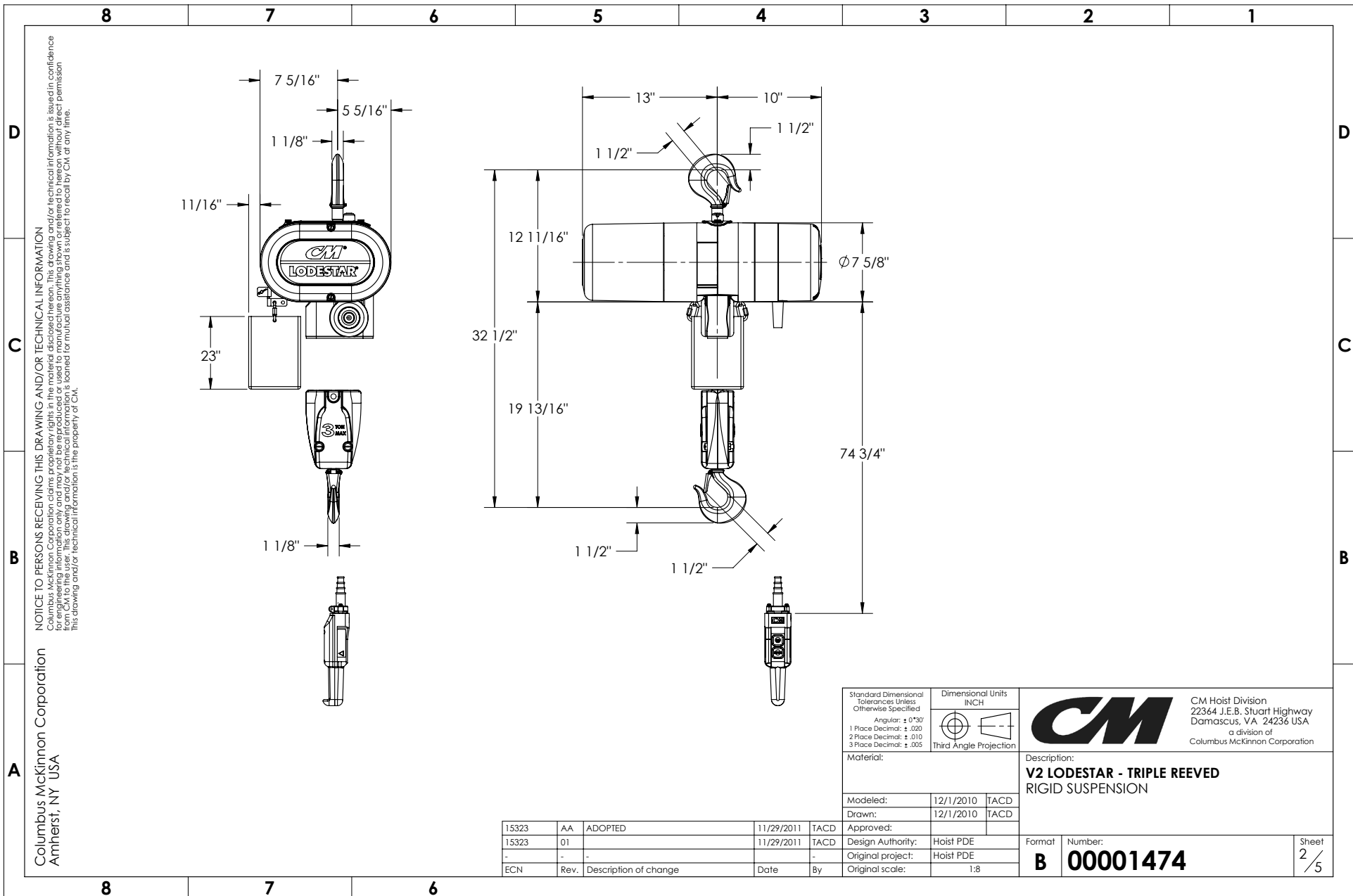


CM Hoist Division
 22364 J.E.B. Stuart Highway
 Damascus, VA 24236 USA
 a division of
 Columbus McKinnon Corporation

Material:
 Modeled: 10/29/2010 BCG
 Drawn: 10/29/2010 BCG
 Approved:
 Design Authority: Hoist PDE
 Original project: Hoist PDE
 Original scale: 1:8

Description:
V2 LODESTAR - TRIPLE REEVED LUG SUSPENSION FOR TROLLEY
 Format: **B** Number: **00001473**
 Sheet: 1/5

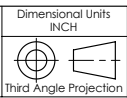
ECN	Rev.	Description of change	Date	By
15323	AA	ADOPTED	11/29/2011	TACD
15323	01		11/29/2011	TACD
-	-	-	-	-



NOTICE TO PERSONS RECEIVING THIS DRAWING AND/OR TECHNICAL INFORMATION
 Columbus McKinnon Corporation claims proprietary rights in the material disclosed herein. This drawing and/or technical information is issued in confidence and is not to be distributed, copied, or otherwise used without the express written permission of CM. In the event of any such use, the user shall indemnify and hold CM harmless from all claims, damages, and expenses, including reasonable attorneys' fees, that may be incurred by CM as a result of such use. This drawing and/or technical information is the property of CM.

Columbus McKinnon Corporation
 Amherst, NY USA

Standard Dimensional Tolerances Unless Otherwise Specified
 Angular: ± 0°30'
 1 Place Decimal: ± .020
 2 Place Decimal: ± .010
 3 Place Decimal: ± .005



CM Hoist Division
 22364 J.E.B. Stuart Highway
 Damascus, VA 24236 USA
 a division of
 Columbus McKinnon Corporation

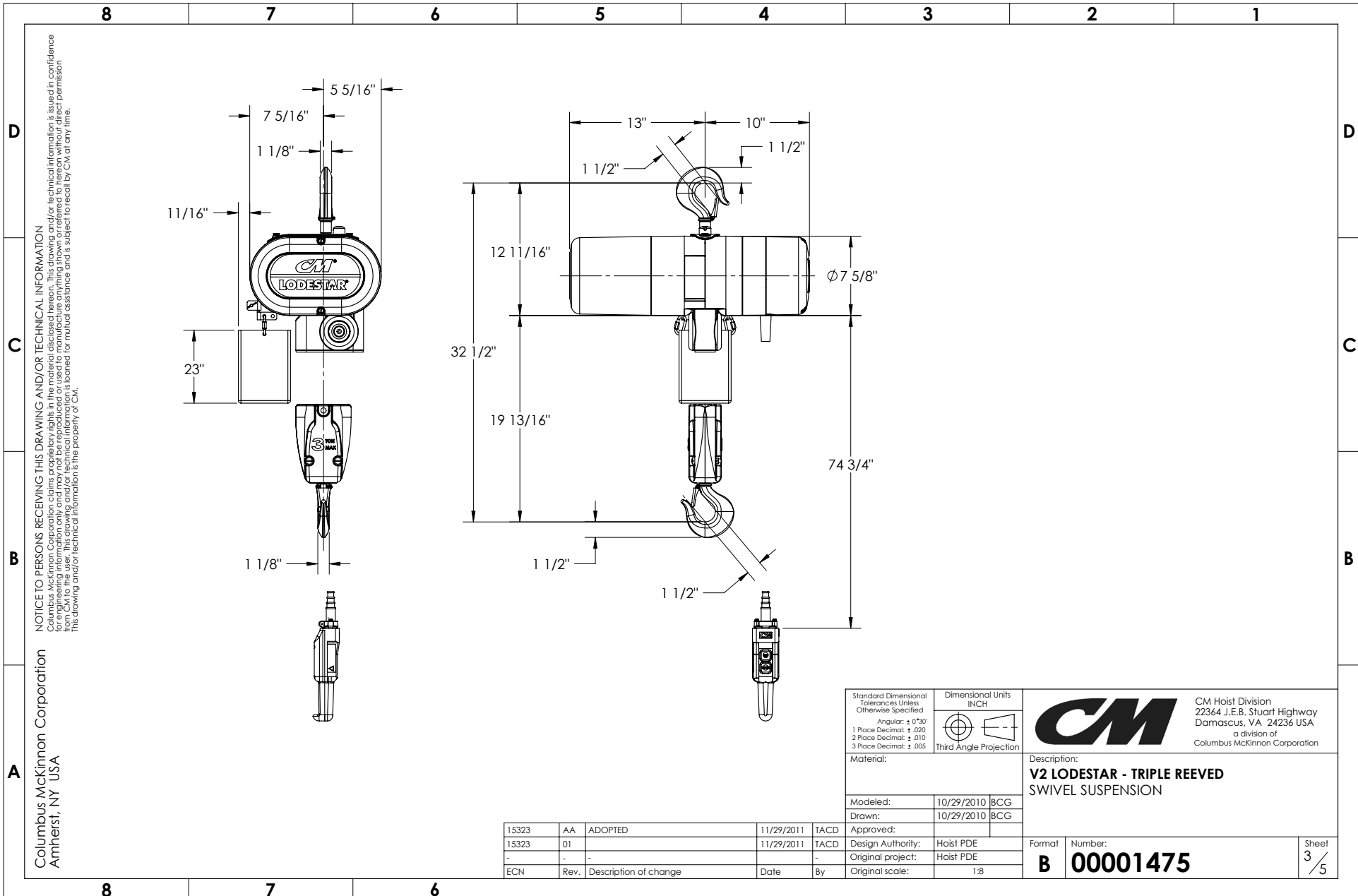
Description:
V2 LODESTAR - TRIPLE REEVED RIGID SUSPENSION

Material:		
Modeled:	12/1/2010	TACD
Drawn:	12/1/2010	TACD
Approved:		
Design Authority:	Hoist PDE	
Original project:	Hoist PDE	
Original scale:	1:8	

Format Number:
B 00001474


ECN	Rev.	Description of change	Date	By
15323	AA	ADOPTED	11/29/2011	TACD
15323	01		11/29/2011	TACD
-	-	-	-	-

Sheet
 2 / 5

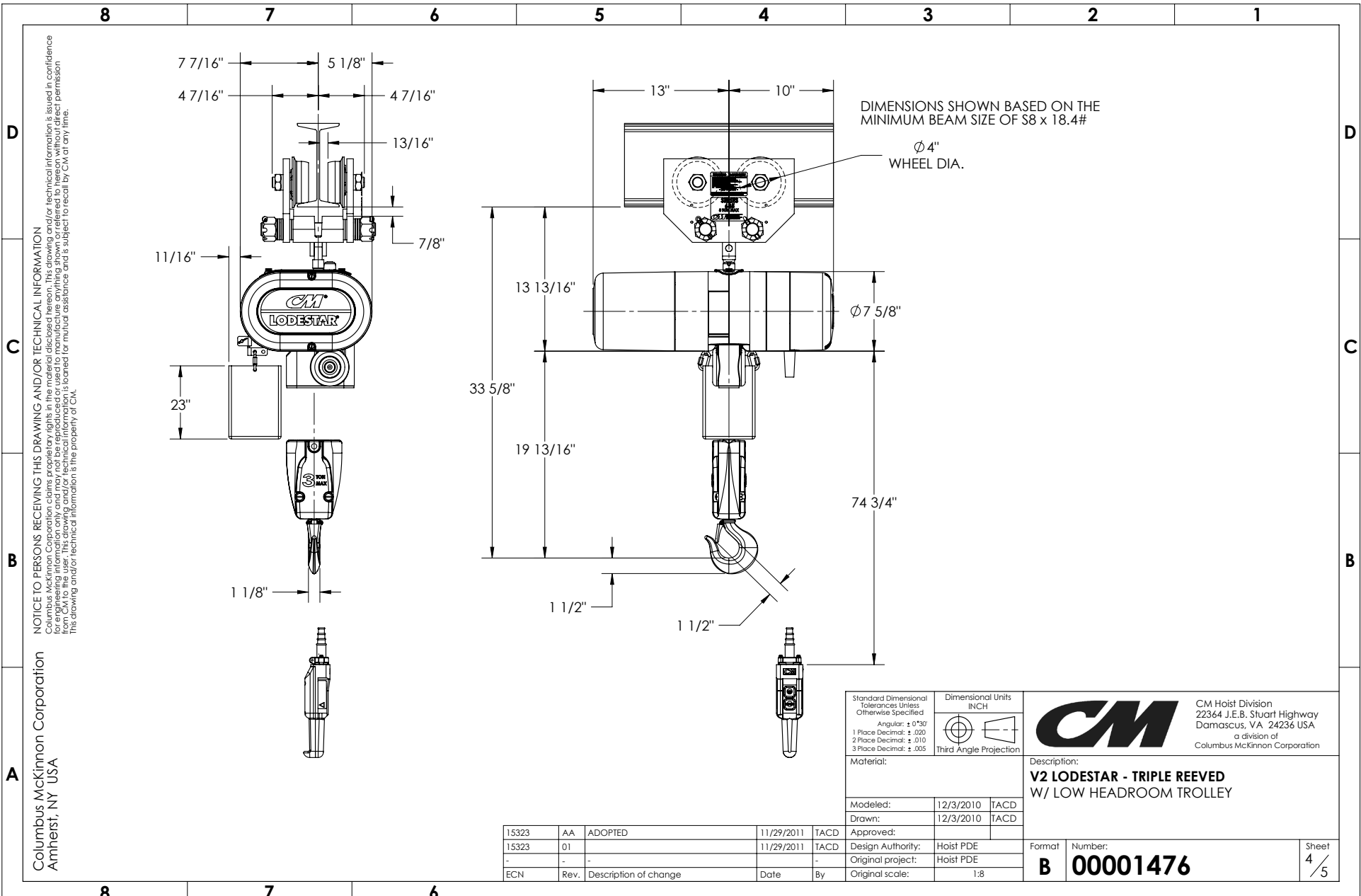


NOTICE TO PERSONS RECEIVING THIS DRAWING AND/OR TECHNICAL INFORMATION
 Columbus McKinnon Corporation claims proprietary rights in the material disclosed herein. This drawing and/or technical information is issued in confidence and is not to be distributed, copied, reproduced, or otherwise used in any manner without the express written permission of Columbus McKinnon Corporation. This drawing and/or technical information is loaned for mutual assistance and is subject to recall by CM at any time. This drawing and/or technical information is the property of CM.

Columbus McKinnon Corporation
 Amherst, NY USA

Standard Dimensional Tolerances Unless Otherwise Specified Angular: ± 0°30' 1 Place Decimal: ± .020 2 Place Decimal: ± .010 3 Place Decimal: ± .005		Dimensional Units INCH Third Angle Projection		 CM Hoist Division 22364 J.E.B. Stuart Highway Damascus, VA 24236 USA a division of Columbus McKinnon Corporation	
Material:		Description: V2 LODESTAR - TRIPLE REEVED SWIVEL SUSPENSION			
Modeled:	10/29/2010	BCG	Format: B Number: 00001475		
Drawn:	10/29/2010	BCG			
Approved:			Sheet 3/5		
Design Authority:	Hoist PDE				
Original project:	Hoist PDE				
Original scale:	1:8				

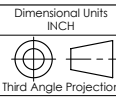
ECN	Rev.	Description of change	Date	By
15323	AA	ADOPTED	11/29/2011	TACD
15323	01		11/29/2011	TACD
-	-	-	-	-



NOTICE TO PERSONS RECEIVING THIS DRAWING AND/OR TECHNICAL INFORMATION
 Columbus McKinnon Corporation claims proprietary rights in the material disclosed herein. This drawing and/or technical information is issued in confidence from CM to the user. This drawing and/or technical information is loaned for mutual assistance and is subject to recall by CM at any time. This drawing and/or technical information is the property of CM.

Columbus McKinnon Corporation
 Amherst, NY USA

Standard Dimensional Tolerances Unless Otherwise Specified
 Angular: ± 0°30'
 1 Place Decimal: ± .020
 2 Place Decimal: ± .010
 3 Place Decimal: ± .005



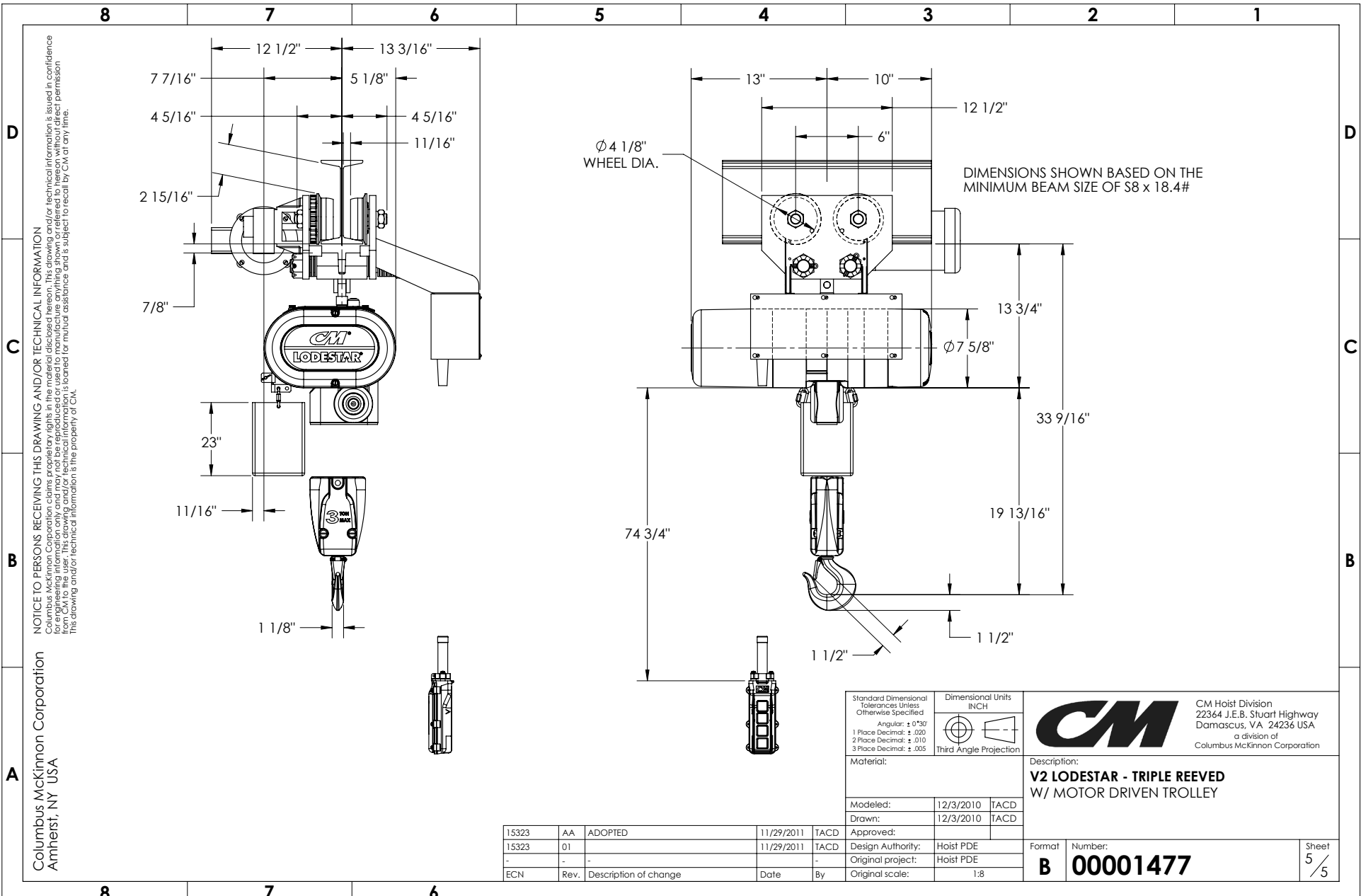
CM Hoist Division
 22364 J.E.B. Stuart Highway
 Damascus, VA 24236 USA
 a division of
 Columbus McKinnon Corporation

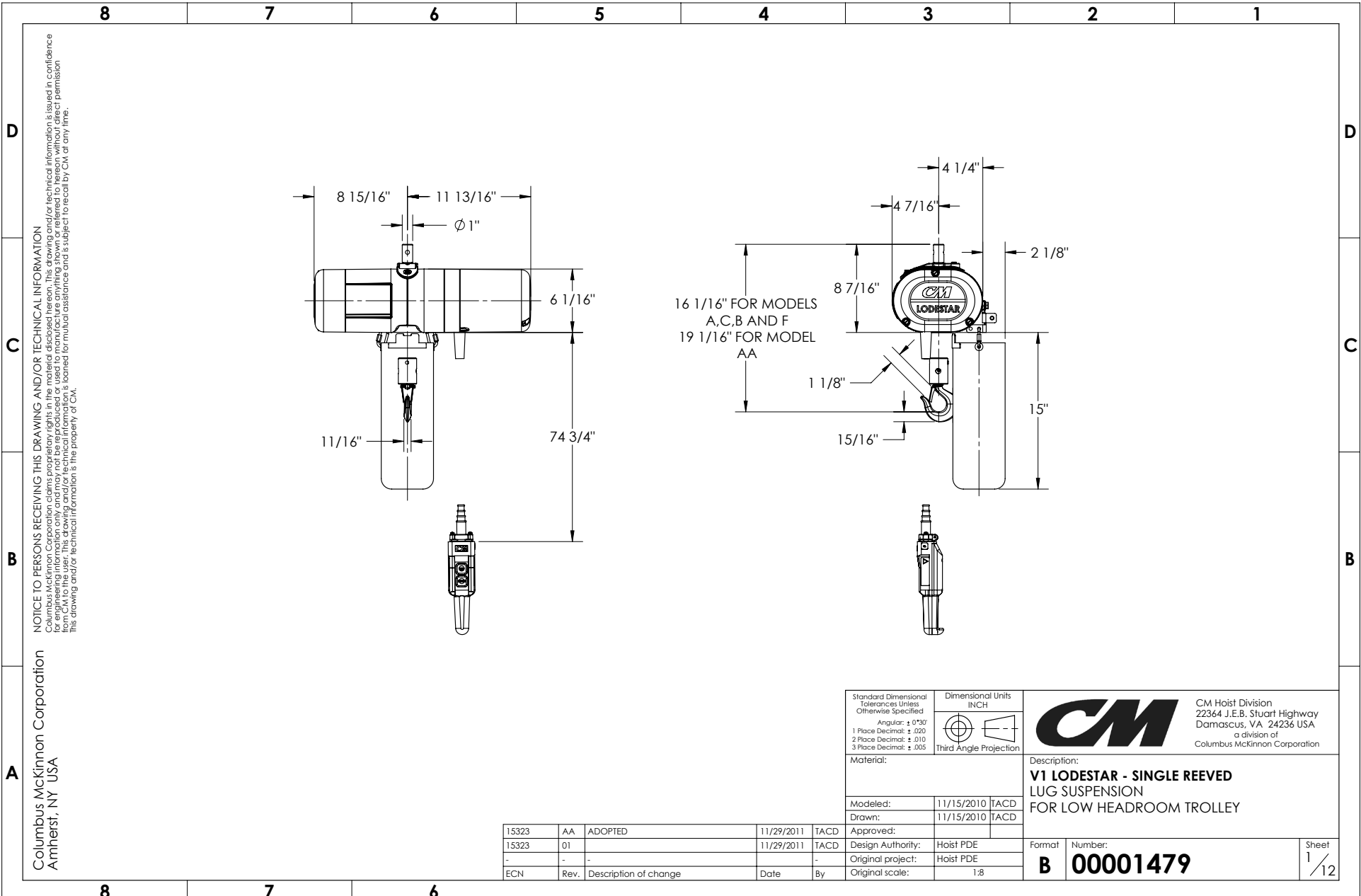
Description:
**V2 LODESTAR - TRIPLE REEVED
 W/ LOW HEADROOM TROLLEY**

Material:		
Madeled:	12/3/2010	TACD
Drawn:	12/3/2010	TACD
Approved:		
Design Authority:	Hoist PDE	
Original project:	Hoist PDE	
Original scale:	1:8	

Format	Number:	Sheet
B	00001476	4/5

ECN	Rev.	Description of change	Date	By
15323	AA	ADOPTED	11/29/2011	TACD
15323	01		11/29/2011	TACD
-	-	-	-	-

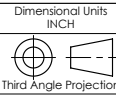




NOTICE TO PERSONS RECEIVING THIS DRAWING AND/OR TECHNICAL INFORMATION
 Columbus McKinnon Corporation claims proprietary rights in the material disclosed herein. This drawing and/or technical information is listed in confidence from CM to the user. This drawing and/or technical information is loaned for mutual assistance and is subject to recall by CM at any time. This drawing and/or technical information is the property of CM.

Columbus McKinnon Corporation
 Amherst, NY USA

Standard Dimensional Tolerances Unless Otherwise Specified
 Angular: $\pm 0^{\circ}30'$
 1 Place Decimal: $\pm .020$
 2 Place Decimal: $\pm .010$
 3 Place Decimal: $\pm .005$



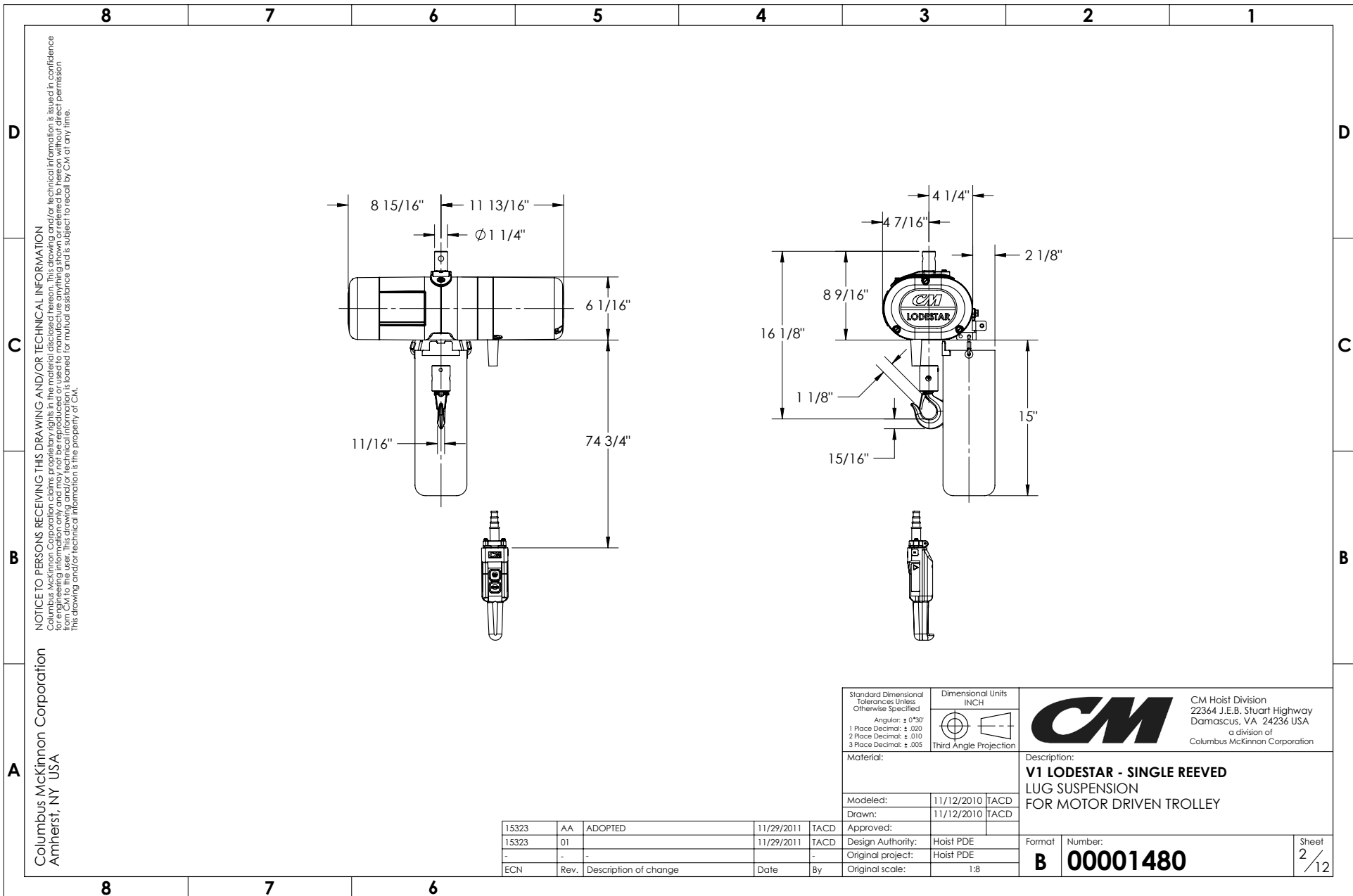
CM Hoist Division
 22364 J.E.B. Stuart Highway
 Damascus, VA 24236 USA
 a division of
 Columbus McKinnon Corporation

Description:
V1 LODESTAR - SINGLE REEVED LUG SUSPENSION FOR LOW HEADROOM TROLLEY

Material:	
Madeled:	11/15/2010 TACD
Drawn:	11/15/2010 TACD
Approved:	
Design Authority:	Hoist PDE
Original project:	Hoist PDE
Original scale:	1:8

Format: **B** Number: **00001479** Sheet: **1/12**

ECN	Rev.	Description of change	Date	By
15323	AA	ADOPTED	11/29/2011	TACD
15323	01		11/29/2011	TACD
-	-	-	-	-

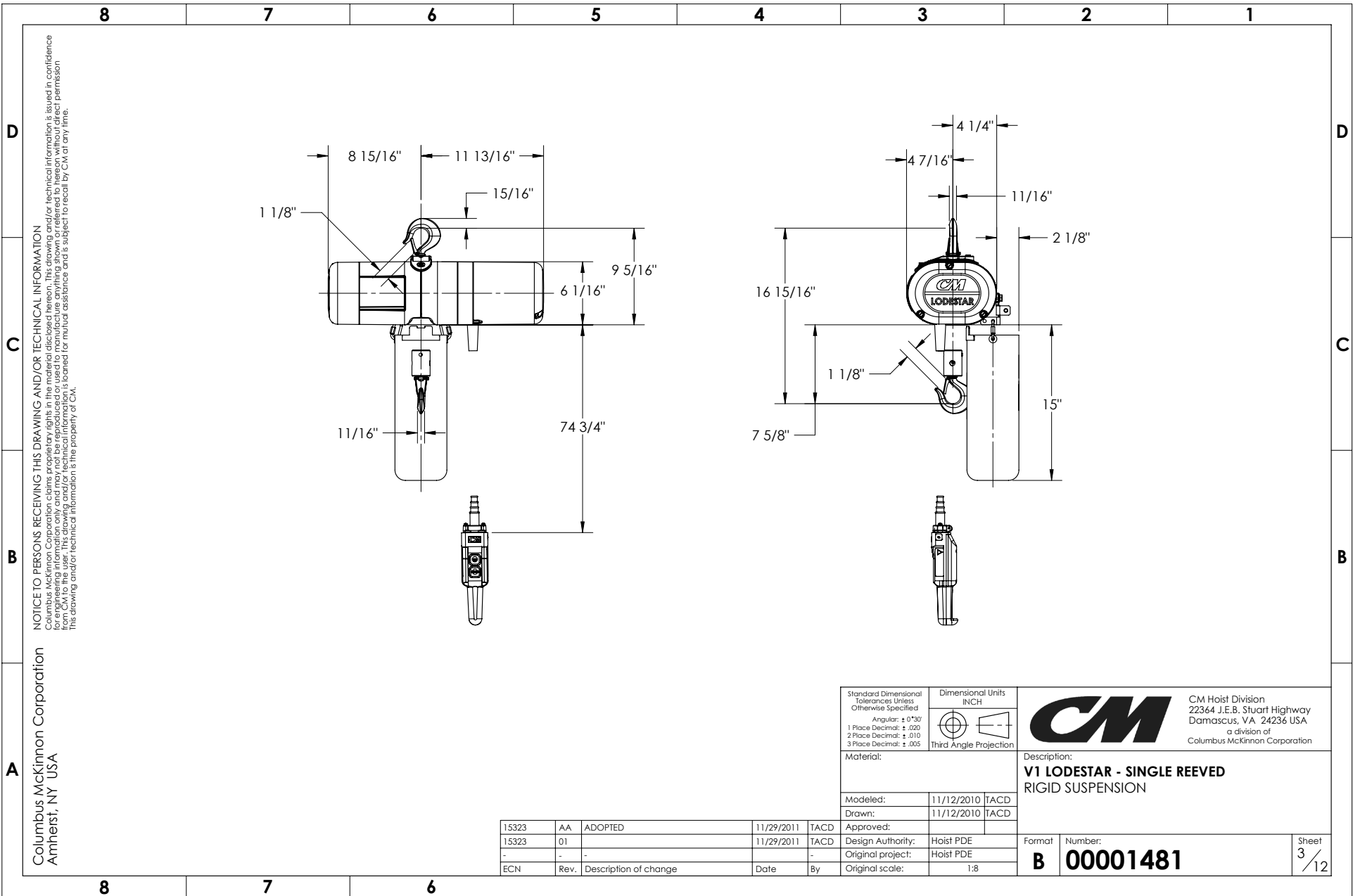


NOTICE TO PERSONS RECEIVING THIS DRAWING AND/OR TECHNICAL INFORMATION
 Columbus McKinnon Corporation claims proprietary rights in the material disclosed herein. This drawing and/or technical information is issued in confidence and is not to be distributed, copied, reproduced, or otherwise used in any manner without the express written permission of Columbus McKinnon Corporation. This drawing and/or technical information is loaned for mutual assistance and is subject to recall by CM at any time. This drawing and/or technical information is the property of CM.

Columbus McKinnon Corporation
 Amherst, NY USA


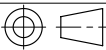
Standard Dimensional Tolerances Unless Otherwise Specified Angular: ± 0°30' 1 Place Decimal: ± .020 2 Place Decimal: ± .010 3 Place Decimal: ± .005		Dimensional Units INCH Third Angle Projection		CM Hoist Division 22364 J.E.B. Stuart Highway Damascus, VA 24236 USA a division of Columbus McKinnon Corporation	
Material:		Description: V1 LODESTAR - SINGLE REEVED LUG SUSPENSION FOR MOTOR DRIVEN TROLLEY			
Modeled:	11/12/2010	TACD			
Drawn:	11/12/2010	TACD			
Approved:					
Design Authority:	Hoist PDE		Format	Number:	
Original project:	Hoist PDE		B	00001480	
Original scale:	1:8				Sheet 2 / 12

ECN	Rev.	Description of change	Date	By
15323	AA	ADOPTED	11/29/2011	TACD
15323	01		11/29/2011	TACD
-	-	-	-	-

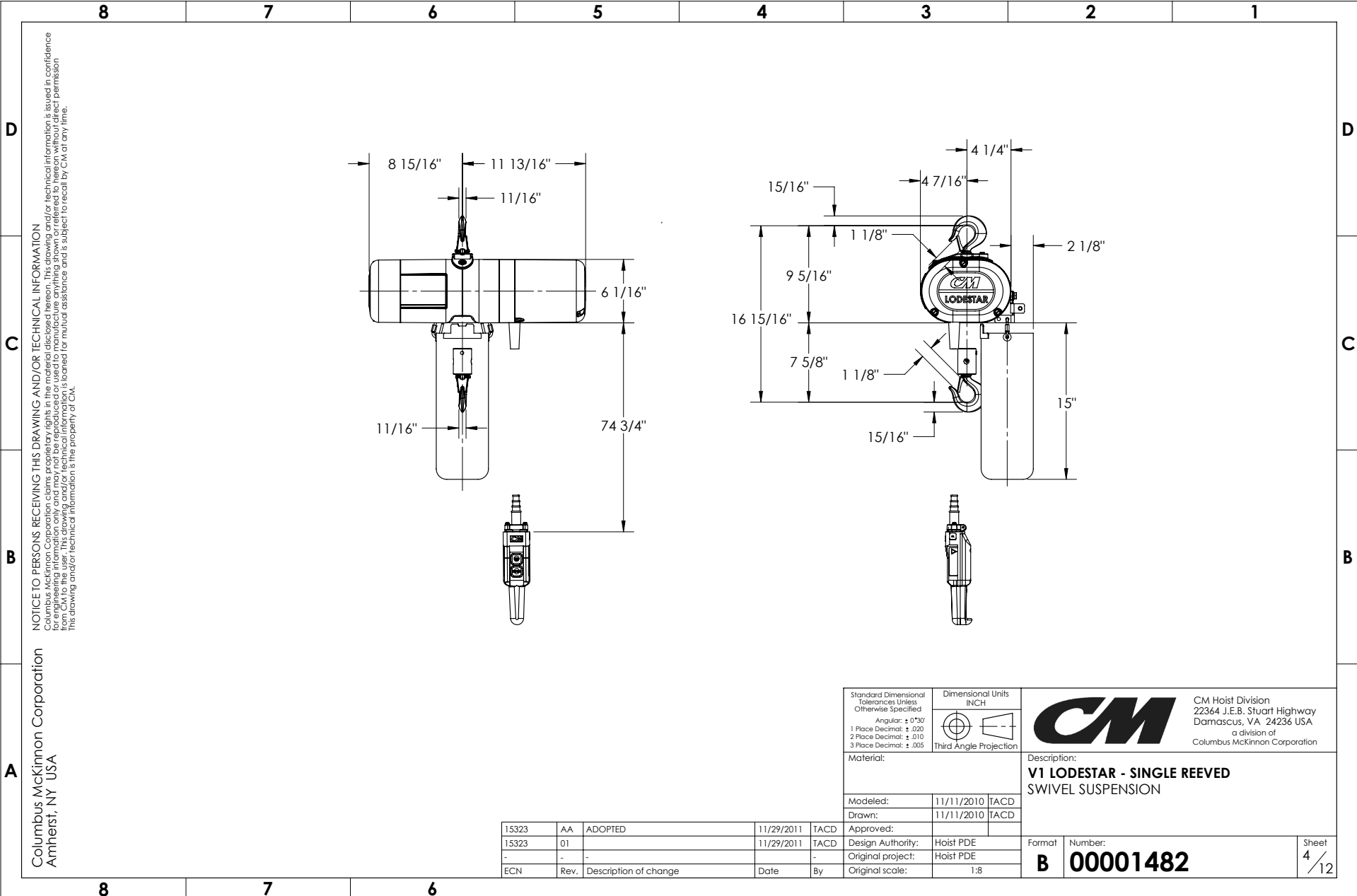


NOTICE TO PERSONS RECEIVING THIS DRAWING AND/OR TECHNICAL INFORMATION
 Columbus McKinnon Corporation claims proprietary rights in the material disclosed herein. This drawing and/or technical information is issued in confidence from CM to the user. This drawing and/or technical information is loaned for mutual assistance and is subject to recall by CM at any time. This drawing and/or technical information is the property of CM.

Columbus McKinnon Corporation
 Amherst, NY USA

Standard Dimensional Tolerances Unless Otherwise Specified		Dimensional Units INCH		 CM Hoist Division 22364 J.E.B. Stuart Highway Damascus, VA 24236 USA a division of Columbus McKinnon Corporation
Angular: ± 0°30' 1 Place Decimal: ± .020 2 Place Decimal: ± .010 3 Place Decimal: ± .005		 Third Angle Projection		
Material:				Description: V1 LODESTAR - SINGLE REEVED RIGID SUSPENSION
Modeled:	11/12/2010	TACD		
Drawn:	11/12/2010	TACD		
Approved:				Format: B
Design Authority:	Hoist PDE			Number: 00001481
Original project:	Hoist PDE			Sheet 3/12
Original scale:	1:8			

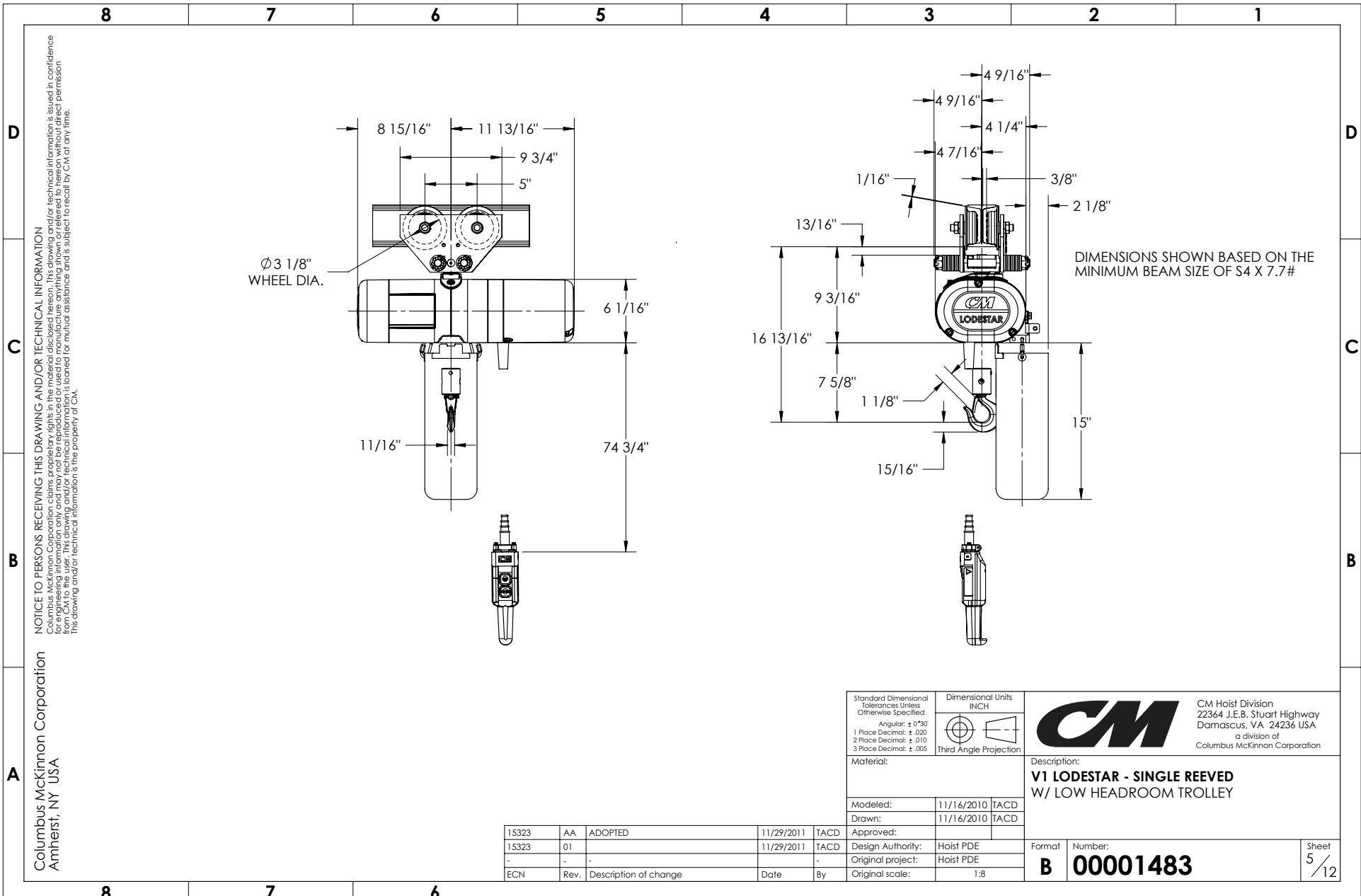
ECN	Rev.	Description of change	Date	By
15323	AA	ADOPTED	11/29/2011	TACD
15323	01		11/29/2011	TACD
-	-	-	-	-



NOTICE TO PERSONS RECEIVING THIS DRAWING AND/OR TECHNICAL INFORMATION
 Columbus McKinnon Corporation claims proprietary rights in the material disclosed herein. This drawing and/or technical information is issued in confidence for engineering information only and may not be reproduced or used to manufacture anything shown or referred to herein without direct permission from Columbus McKinnon Corporation. Columbus McKinnon Corporation is not responsible for misinterpretation of this drawing and/or technical information. This drawing and/or technical information is the property of CM.

Columbus McKinnon Corporation
 Amherst, NY USA

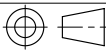

Standard Dimensional Tolerances Unless Otherwise Specified		Dimensional Units INCH			CM Hoist Division 22364 J.E.B. Stuart Highway Damascus, VA 24236 USA a division of Columbus McKinnon Corporation	
Angular: ± 0°30' 1 Place Decimal: ± .020 2 Place Decimal: ± .010 3 Place Decimal: ± .005		 Third Angle Projection			Description: V1 LODESTAR - SINGLE REEVED SWIVEL SUSPENSION	
Material:		Modeled: 11/11/2010 TACD		Format: B		Number: 00001482
Drawn: 11/11/2010 TACD		Approved:		Sheet: 4/12		
15323	AA	ADOPTED	11/29/2011	TACD	Design Authority: Hoist PDE	
15323	01		11/29/2011	TACD	Original project: Hoist PDE	
-	-	-	-	-	Original scale: 1:8	
ECN	Rev.	Description of change	Date	By		



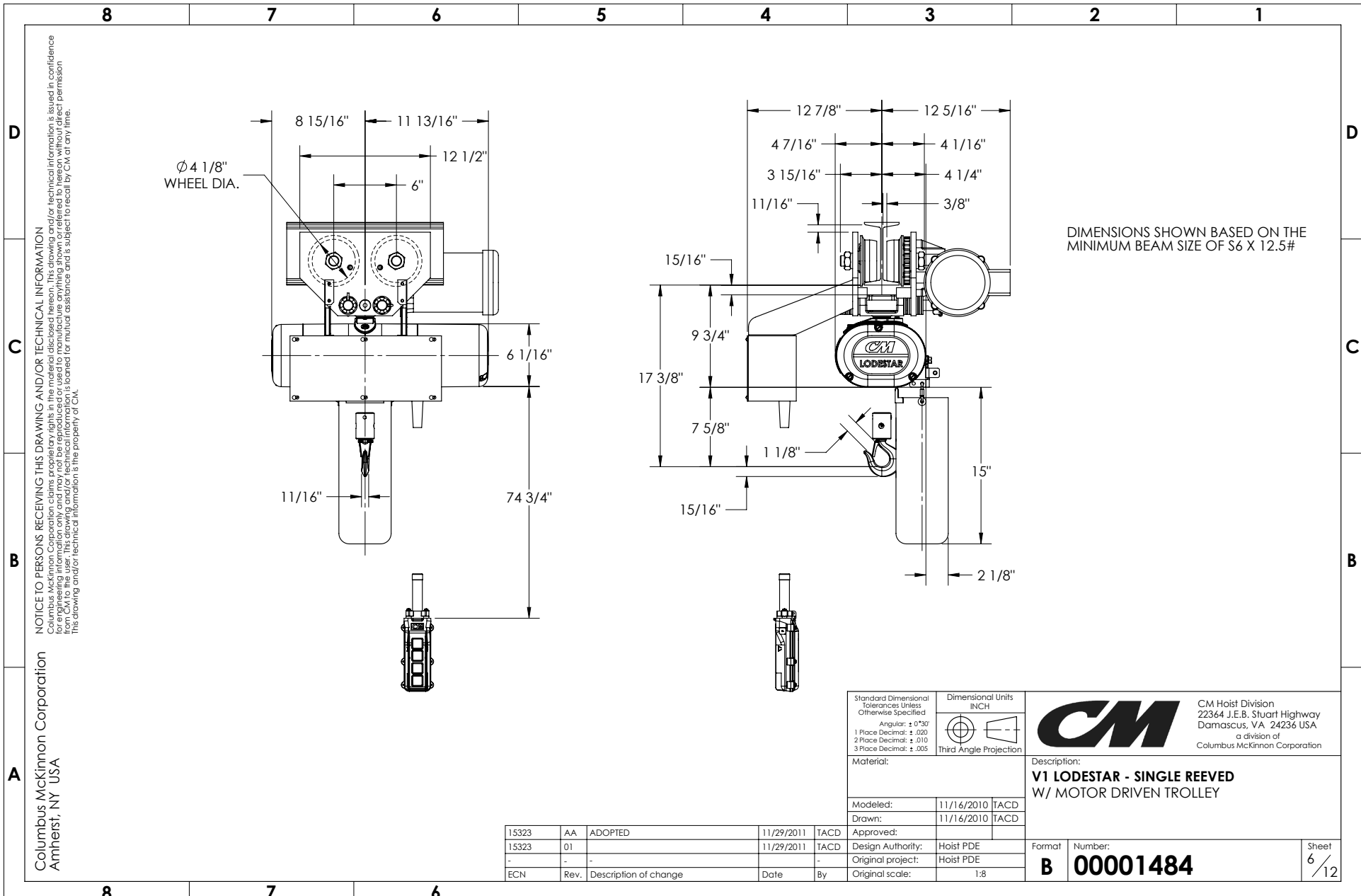
NOTICE TO PERSONS RECEIVING THIS DRAWING AND/OR TECHNICAL INFORMATION
 Columbus McKinnon Corporation claims proprietary rights in the material disclosed herein. This drawing and/or technical information is issued in confidence and is not to be distributed, copied, reproduced, or otherwise used in any manner without the prior written permission of Columbus McKinnon Corporation. This drawing and/or technical information is loaned for mutual assistance and is subject to recall by CM at any time. This drawing and/or technical information is the property of CM.

Columbus McKinnon Corporation
 Amherst, NY USA

DIMENSIONS SHOWN BASED ON THE MINIMUM BEAM SIZE OF S4 X 7.7#

Standard Dimensional Tolerances Unless Otherwise Specified: Angular: ± 0°30' 1 Place Decimal: ± .020 2 Place Decimal: ± .010 3 Place Decimal: ± .005		Dimensional Units INCH		 Third Angle Projection	 CM Hoist Division 22364 J.E.B. Stuart Highway Damascus, VA 24236 USA a division of Columbus McKinnon Corporation
Material:		Description: V1 LODESTAR - SINGLE REEVED W/ LOW HEADROOM TROLLEY			
Modeled:	11/16/2010	TACD			
Drawn:	11/16/2010	TACD			
Approved:			Format	Number:	Sheet 5 / 12
Design Authority:	Hoist PDE		B	00001483	
Original project:	Hoist PDE				
Original scale:	1:8				

ECN	Rev.	Description of change	Date	By
15323	AA	ADOPTED	11/29/2011	TACD
15323	01		11/29/2011	TACD
-	-	-	-	-



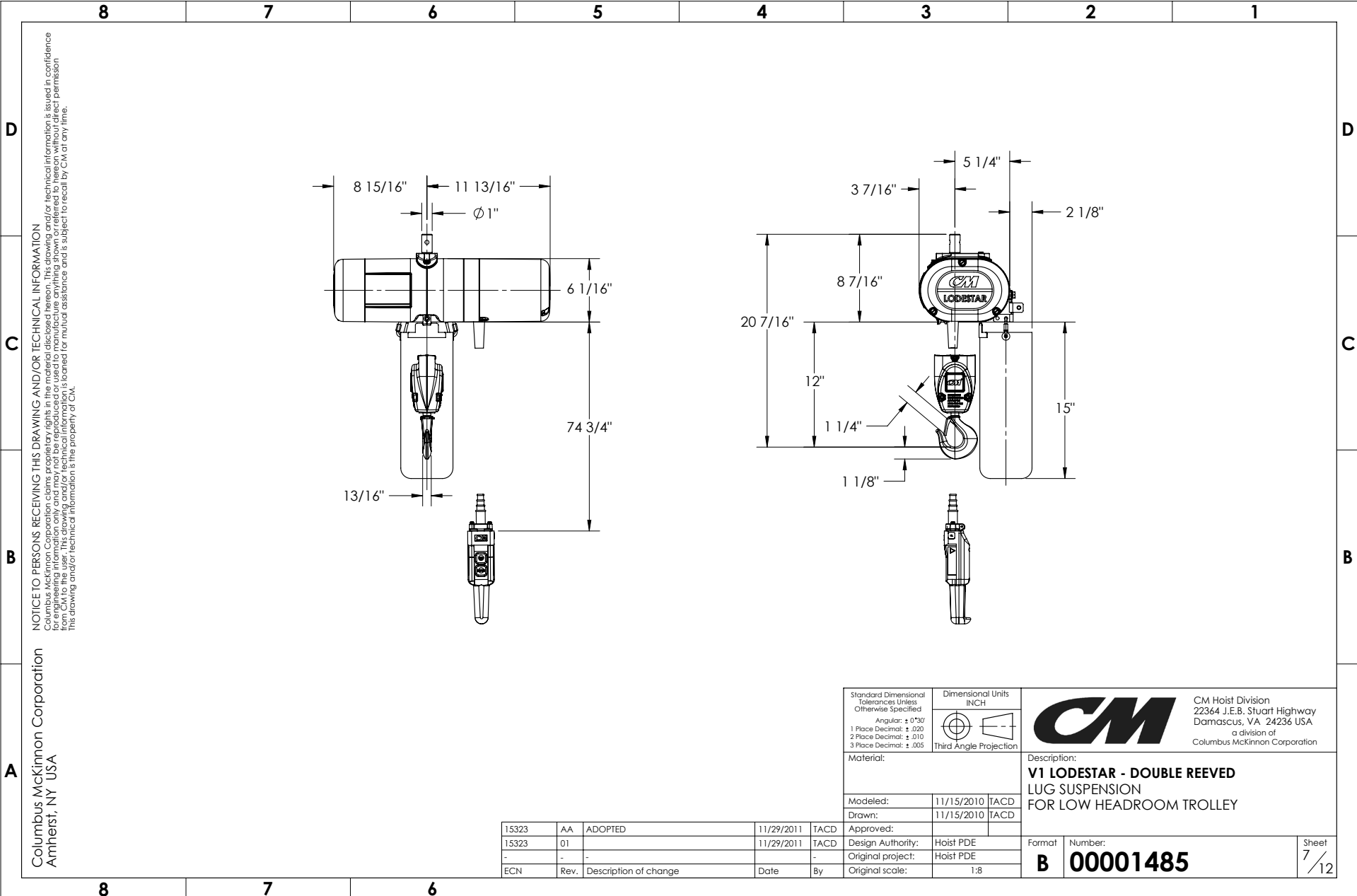
NOTICE TO PERSONS RECEIVING THIS DRAWING AND/OR TECHNICAL INFORMATION
 Columbus McKinnon Corporation claims proprietary rights in the material disclosed herein. This drawing and/or technical information is issued in confidence and is not to be distributed, copied, or otherwise used for any purpose other than that intended by CM without the prior written permission from CM to the user. This drawing and/or technical information is loaned for mutual assistance and is subject to recall by CM at any time. This drawing and/or technical information is the property of CM.

Columbus McKinnon Corporation
 Amherst, NY USA

DIMENSIONS SHOWN BASED ON THE MINIMUM BEAM SIZE OF S6 X 12.5#

Standard Dimensional Tolerances Unless Otherwise Specified: Angular: ± 0°30' 1 Place Decimal: ± .020 2 Place Decimal: ± .010 3 Place Decimal: ± .005	Dimensional Units INCH Third Angle Projection		CM Hoist Division 22364 J.E.B. Stuart Highway Damascus, VA 24236 USA a division of Columbus McKinnon Corporation	
Material:			Description: V1 LODESTAR - SINGLE REEVED W/ MOTOR DRIVEN TROLLEY	
Modeled:	11/16/2010	TACD	Format: B Number: 00001484	
Drawn:	11/16/2010	TACD		
Approved:			Sheet 6 / 12	
Design Authority:	Hoist PDE			
Original project:	Hoist PDE			
Original scale:	1:8			

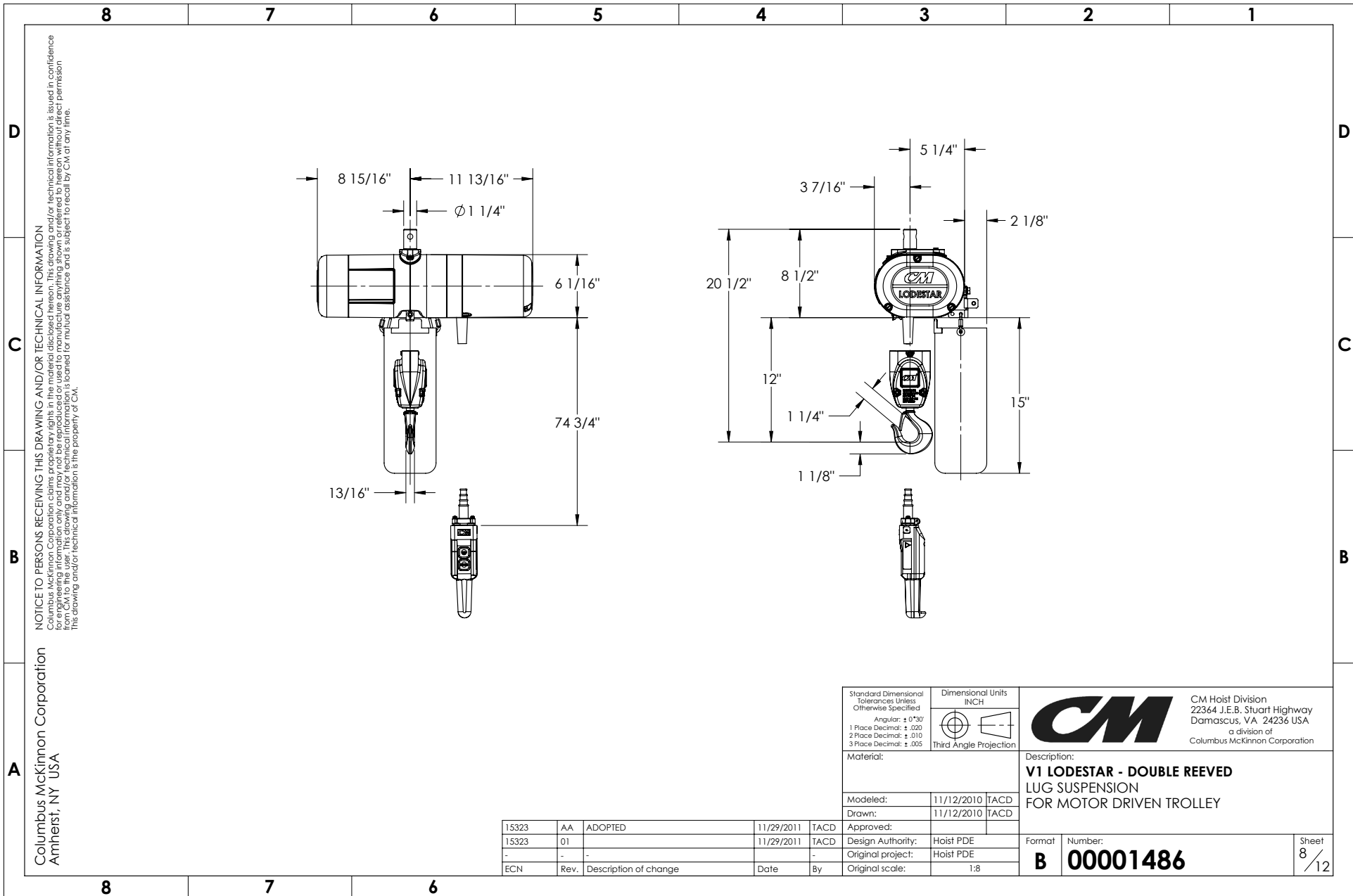
ECN	Rev.	Description of change	Date	By
15323	AA	ADOPTED	11/29/2011	TACD
15323	01		11/29/2011	TACD
-	-	-	-	-



NOTICE TO PERSONS RECEIVING THIS DRAWING AND/OR TECHNICAL INFORMATION
 Columbus McKinnon Corporation claims proprietary rights in the material disclosed herein. This drawing and/or technical information is issued in confidence for engineering information only and may not be reproduced or used to manufacture anything shown or referred to herein without direct permission from Columbus McKinnon Corporation. Columbus McKinnon Corporation is pleased to provide assistance and is subject to recall by CM at any time. This drawing and/or technical information is the property of CM.


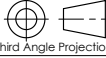
Columbus McKinnon Corporation
 Amherst, NY USA

Standard Dimensional Tolerances Unless Otherwise Specified		Dimensional Units INCH			CM Hoist Division 22364 J.E.B. Stuart Highway Damascus, VA 24236 USA a division of Columbus McKinnon Corporation	
Angular: ± 0°30' 1 Place Decimal: ± .020 2 Place Decimal: ± .010 3 Place Decimal: ± .005					Description: V1 LODESTAR - DOUBLE REEVED LUG SUSPENSION FOR LOW HEADROOM TROLLEY	
Material:		Modeled: 11/15/2010		TACD		
Material:		Drawn: 11/15/2010		TACD		
Approved:		Design Authority: Hoist PDE		Format		
Original project:		Hoist PDE		Number:		
Original scale: 1:8				B 00001485		
15323	AA	ADOPTED	11/29/2011	TACD		
15323	01		11/29/2011	TACD		
-	-	-	-	-	-	
ECN	Rev.	Description of change	Date	By		
				Sheet	7/12	

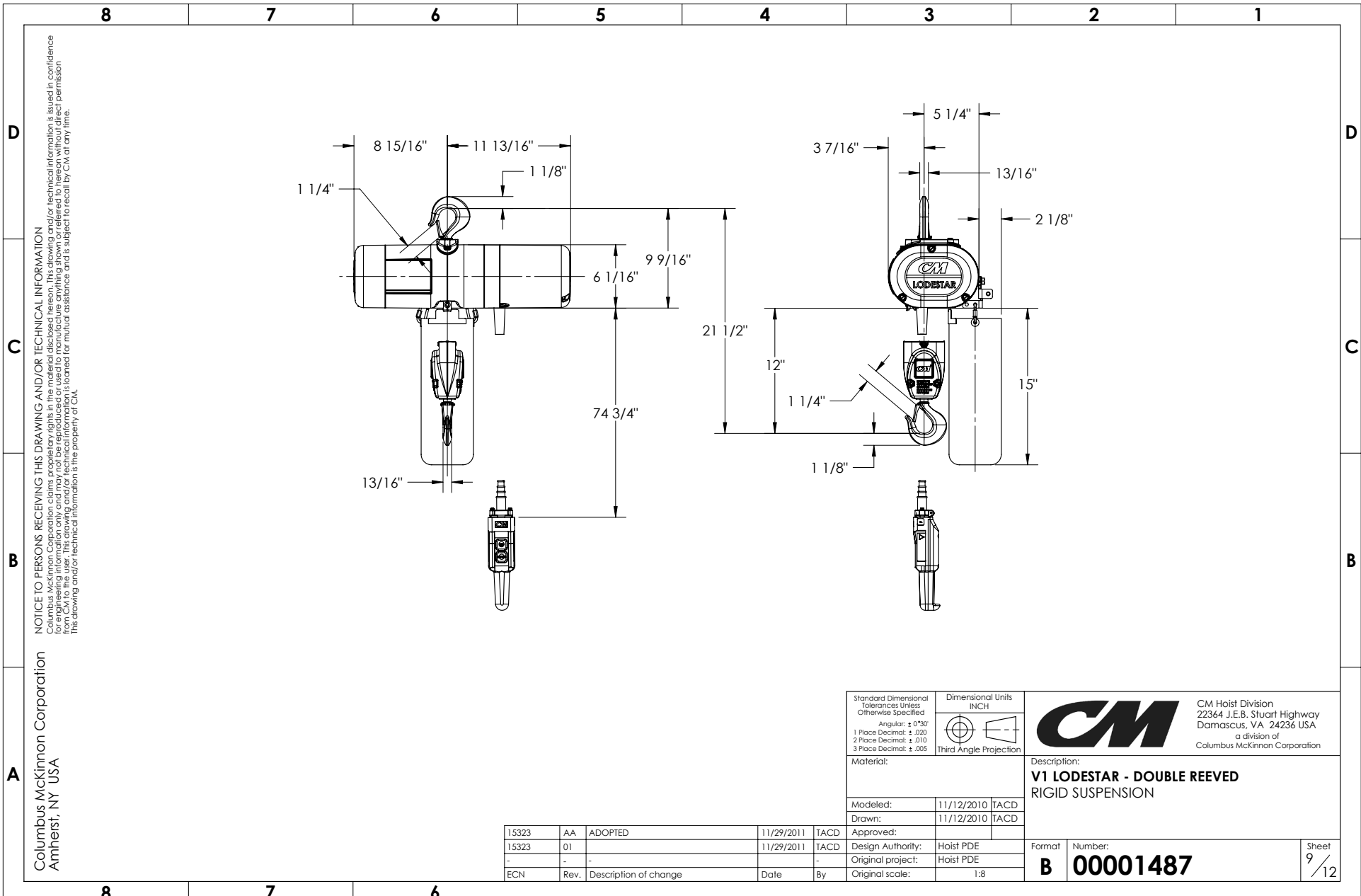


NOTICE TO PERSONS RECEIVING THIS DRAWING AND/OR TECHNICAL INFORMATION
 Columbus McKinnon Corporation claims proprietary rights in the material disclosed herein. This drawing and/or technical information is issued in confidence and is intended for the use of the recipient only. It is not to be distributed, copied, or used in any way without the express written permission from CM to the user. This drawing and/or technical information is loaned for mutual assistance and is subject to recall by CM at any time. This drawing and/or technical information is the property of CM.

Columbus McKinnon Corporation
 Amherst, NY USA

Standard Dimensional Tolerances Unless Otherwise Specified: Angular: ± 0°30' 1 Place Decimal: ± .020 2 Place Decimal: ± .010 3 Place Decimal: ± .005		Dimensional Units INCH	 CM Hoist Division 22364 J.E.B. Stuart Highway Damascus, VA 24236 USA a division of Columbus McKinnon Corporation
Material:		 Third Angle Projection	
Modeled: 11/12/2010 TACD		Description: V1 LODESTAR - DOUBLE REEVED LUG SUSPENSION FOR MOTOR DRIVEN TROLLEY	
Drawn: 11/12/2010 TACD		Format: B Number: 00001486	
Approved:		Design Authority: Hoist PDE Original project: Hoist PDE Original scale: 1:8	
15323	AA	ADOPTED	11/29/2011 TACD
15323	01		11/29/2011 TACD
-	-	-	-
ECN	Rev.	Description of change	Date

Sheet
8 / 12

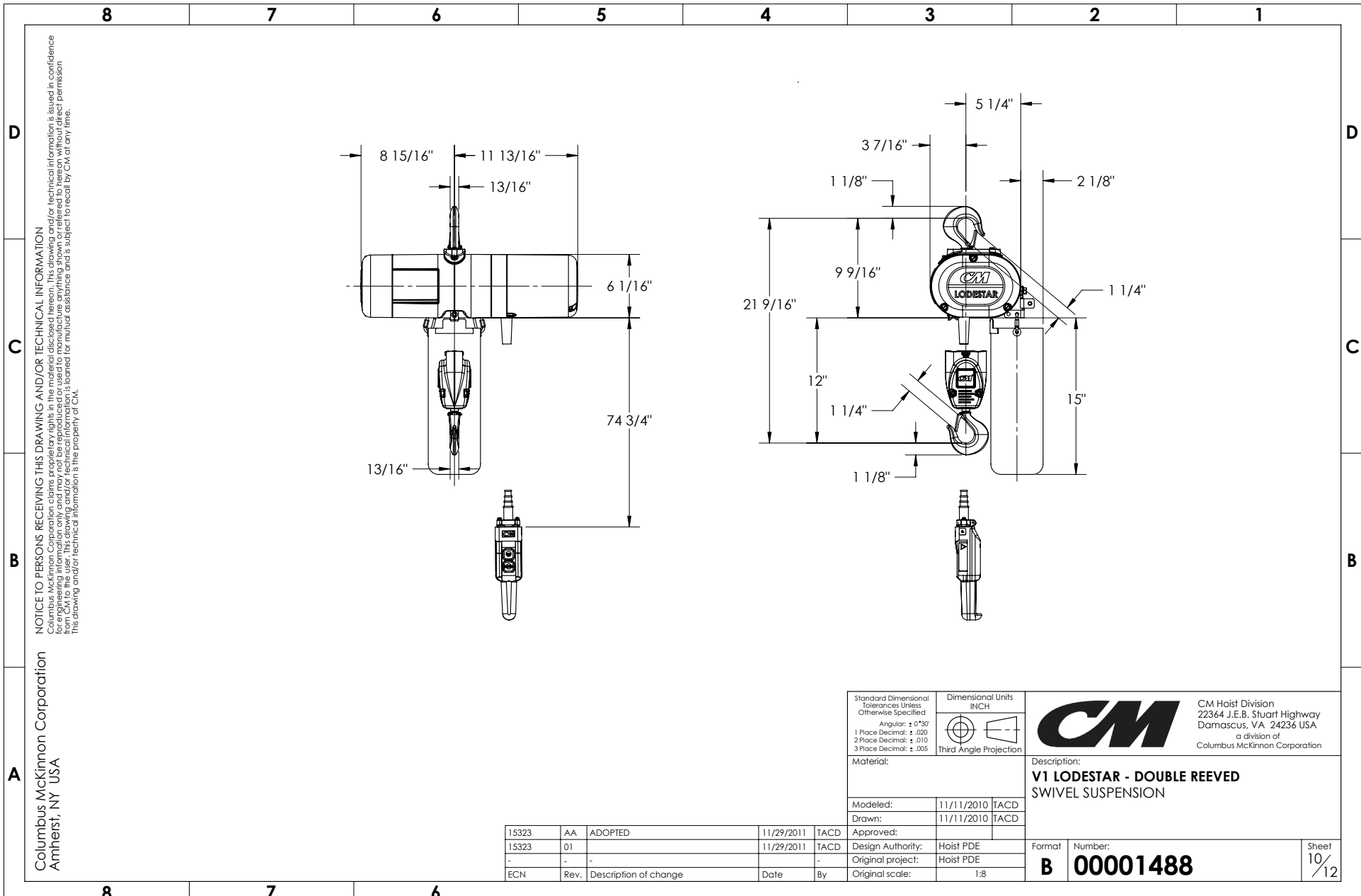


NOTICE TO PERSONS RECEIVING THIS DRAWING AND/OR TECHNICAL INFORMATION
 Columbus McKinnon Corporation claims proprietary rights in the material disclosed herein. This drawing and/or technical information is issued in confidence and is not to be distributed, copied, reproduced, or otherwise used in any manner without the prior written permission of Columbus McKinnon Corporation. This drawing and/or technical information is loaned for mutual assistance and is subject to recall by CM at any time. This drawing and/or technical information is the property of CM.

Columbus McKinnon Corporation
 Amherst, NY USA

Standard Dimensional Tolerances Unless Otherwise Specified: Angular: ± 0°30' 1 Place Decimal: ± .020 2 Place Decimal: ± .010 3 Place Decimal: ± .005		Dimensional Units INCH Third Angle Projection	CM Hoist Division 22364 J.E.B. Stuart Highway Damascus, VA 24236 USA a division of Columbus McKinnon Corporation
Material:		Description: V1 LODESTAR - DOUBLE REEVED RIGID SUSPENSION	
Modeled:	11/12/2010	TACD	Format: B Number: 00001487
Drawn:	11/12/2010	TACD	
Approved:			Sheet 9 / 12
Design Authority:	Hoist PDE		
Original project:	Hoist PDE		
Original scale:	1:8		

ECN	Rev.	Description of change	Date	By
15323	AA	ADOPTED	11/29/2011	TACD
15323	01		11/29/2011	TACD
-	-	-	-	-



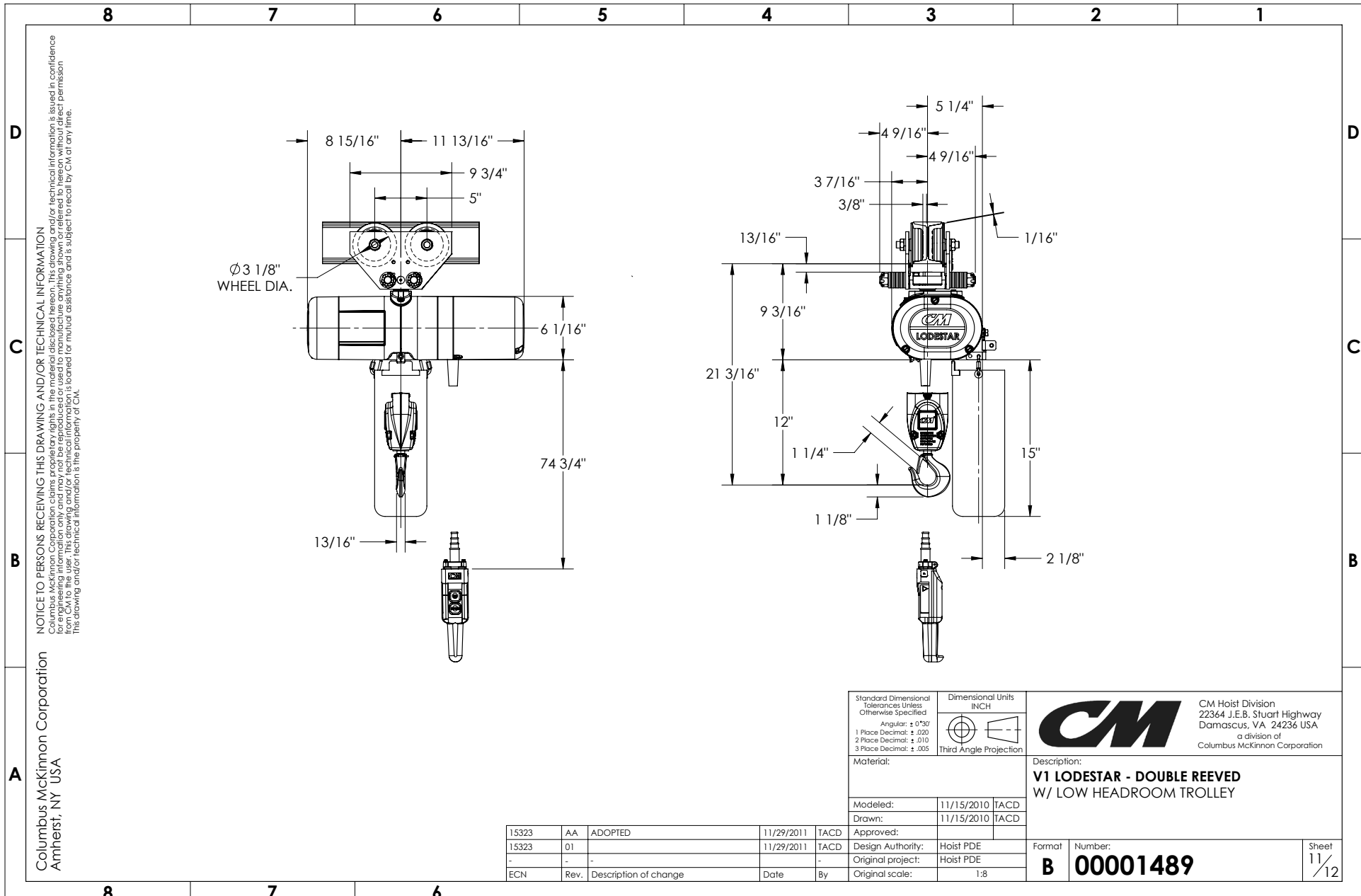
NOTICE TO PERSONS RECEIVING THIS DRAWING AND/OR TECHNICAL INFORMATION
 Columbus McKinnon Corporation claims proprietary rights in the material disclosed herein. This drawing and/or technical information is issued in confidence and is not to be distributed, copied, or used in any manner without the prior written permission of Columbus McKinnon Corporation. This drawing and/or technical information is loaned for mutual assistance and is subject to recall by CM at any time. This drawing and/or technical information is the property of CM.

Columbus McKinnon Corporation
 Amherst, NY USA

Standard Dimensional Tolerances Unless Otherwise Specified: Angular: ± 0°30' 1 Place Decimal: ± .020 2 Place Decimal: ± .010 3 Place Decimal: ± .005		Dimensional Units INCH			CM Hoist Division 22364 J.E.B. Stuart Highway Damascus, VA 24236 USA a division of Columbus McKinnon Corporation	
Material:		Third Angle Projection			Description: V1 LODESTAR - DOUBLE REEVED SWIVEL SUSPENSION	
Modeled:	11/11/2010	TACD		Format:	Number:	
Drawn:	11/11/2010	TACD		B	00001488	
Approved:						
Design Authority:	Hoist PDE					
Original project:	Hoist PDE					
Original scale:	1:8					

ECN	Rev.	Description of change	Date	By
15323	AA	ADOPTED	11/29/2011	TACD
15323	01		11/29/2011	TACD
-	-			

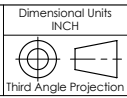
Sheet
10/12



NOTICE TO PERSONS RECEIVING THIS DRAWING AND/OR TECHNICAL INFORMATION
 Columbus McKinnon Corporation claims proprietary rights in the material disclosed herein. This drawing and/or technical information is issued in confidence for engineering information only and may not be reproduced or used to manufacture anything shown or referred to herein without direct permission from Columbus McKinnon Corporation. Columbus McKinnon Corporation is not responsible for misinterpretation of this drawing and/or technical information. This drawing and/or technical information is the property of CM.

Columbus McKinnon Corporation
 Amherst, NY USA

Standard Dimensional Tolerances Unless Otherwise Specified
 Angular: ± 0°30'
 1 Place Decimal: ± .020
 2 Place Decimal: ± .010
 3 Place Decimal: ± .005



CM Hoist Division
 22364 J.E.B. Stuart Highway
 Damascus, VA 24236 USA
 a division of
 Columbus McKinnon Corporation

Description:
V1 LODESTAR - DOUBLE REEVED
W/ LOW HEADROOM TROLLEY

15323	AA	ADOPTED	11/29/2011	TACD
15323	01		11/29/2011	TACD
-	-	-	-	-
ECN	Rev.	Description of change	Date	By

Material:	
Modeled:	11/15/2010 TACD
Drawn:	11/15/2010 TACD
Approved:	
Design Authority:	Hoist PDE
Original project:	Hoist PDE
Original scale:	1:8

Format	Number:	Sheet
B	00001489	11/12

