

CASTER 4 SET

Model # 21-0244



PARTS LIST

Qty	Name
2	Non-Locking Caster
2	Locking Caster



Scan* to see
Video Instructions
for Assembly & Use

or

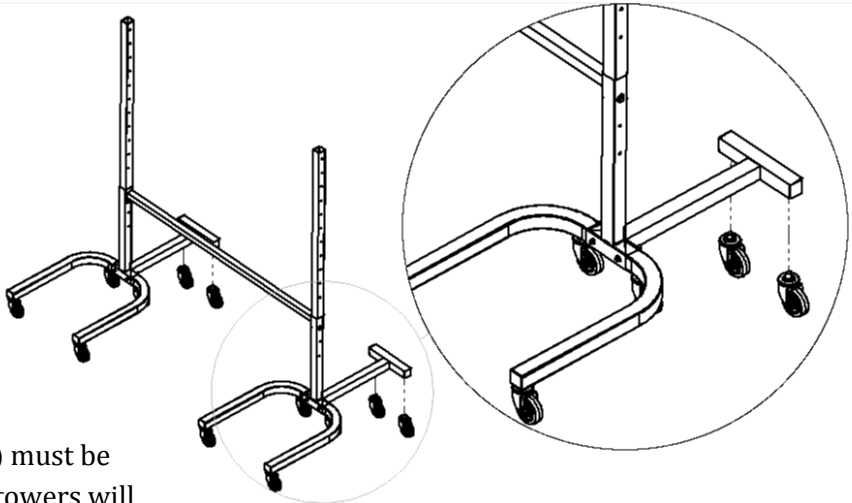
Visit Suspenz.com
"Video & Manual" page

*QR code reader app required

Tools Needed: None

Assembly

1. Unscrew and remove leveling feet, anchors, & hex nuts.
2. Replace with 2 casters per tower; each Back Leg should have one locking caster and one non-locking caster.
3. Casters should be fully tightened so that the black plastic washers are firmly seated on the Back Legs. The casters are not intended to be used as leveling feet.



Note

The adjustable cross bar (Model #21-0144) must be used with the casters so the Free-Standing towers will roll together.

Rev. 12/17

FOR TECHNICAL ASSISTANCE OR REPLACEMENT PARTS: CALL 866.787.7369

OUR PLEDGE TO YOU

Suspenz® products are warranted for life against defects in material or workmanship to the original owner. Product must be used for its intended purpose under normal conditions. Please visit www.Suspenz.com for complete warranty information.

SUSPENZ®, INC.
8725 ROSWELL ROAD #0-220
ATLANTA GA 30350



CUSTOMER SERVICE: 770-518-0045
FAX: 770-518-8507
WEBSITE: WWW.SUSPENZ.COM