

CASTER 4 SET

Model # 21-0244



PARTS LIST	
Qty	Name
4	Non-Locking Caster



Scan* to see
Video Instructions
for Assembly & Use

or

Visit Suspenz.com
"Video & Manual" page

*QR code reader app required

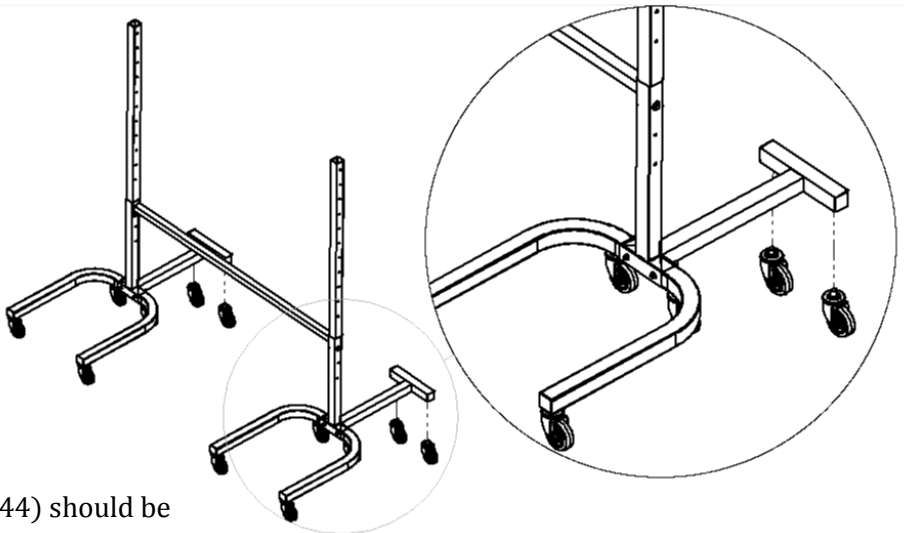
Tools Needed: None

Assembly

1. Unscrew and remove leveling feet, anchors & hex nuts.
2. Replace with 2 casters per tower; tighten completely.

Note

1. If adding casters to existing Free-Standing frame, lay the towers on their side for easy access to the back leg leveling feet.



The adjustable cross bar (Model #21-0144) should be used with the casters so the Free-Standing towers will roll together.

Rev. 09/16

FOR TECHNICAL ASSISTANCE OR REPLACEMENT PARTS: CALL 866.787.7369

OUR PLEDGE TO YOU

Suspenz® products are warranted for life against defects in material or workmanship to the original owner. Product must be used for its intended purpose under normal conditions. Please visit www.Suspenz.com for complete warranty information.

SUSPENZ®, INC.
8725 ROSWELL ROAD #0-220
ATLANTA GA 30350



CUSTOMER SERVICE: 770-518-0045
FAX: 770-518-8507
WEBSITE: WWW.SUSPENZ.COM