

CASTER 8 SET

Model # 21-0205



PARTS LIST

Qty	Name
4	Non-Locking Caster
4	Locking Caster



Scan* to see
Video Instructions
for Assembly & Use
or
Visit Suspenz.com
"Video & Manual" page
*QR code reader app required

Tools Needed: None

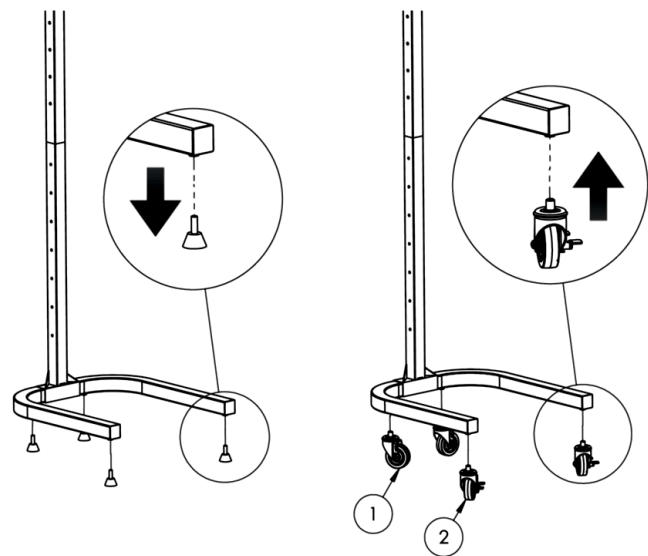
Assembly

1. Unscrew and remove leveling feet, anchors & hex nuts. See drawing.
2. Replace with 2 locking & 2 non-locking casters per tower; tighten completely. Place the 2 locking casters at the front of the frame for easy access.

Note

If adding casters to existing Free-Standing Frame, lay the towers on their side for easy access to the leveling feet.

The adjustable cross bar (Model #21-0144) should be used with the casters so the Free-Standing towers will roll together.



Rev. 09/16

FOR TECHNICAL ASSISTANCE OR REPLACEMENT PARTS: CALL 866.787.7369

OUR PLEDGE TO YOU

Suspenz® products are warranted for life against defects in material or workmanship to the original owner. Product must be used for its intended purpose under normal conditions. Please visit www.Suspenz.com for complete warranty information.

SUSPENZ®, INC.
8725 ROSWELL ROAD #0-220
ATLANTA GA 30350



CUSTOMER SERVICE: 770-518-0045
FAX: 770-518-8507
WEBSITE: WWW.SUSPENZ.COM