

ADJUSTABLE CROSS BAR

Model # 21-0144



Tools Needed: Two $\frac{1}{2}$ " Wrenches

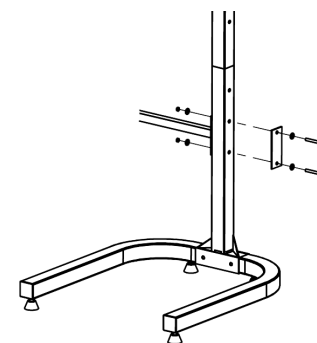
Assembly

The *Cross Bar* can be assembled in lengths of 58", 62", 66", 70", 74", and 78".

1. Measure the length of your boat(s) and select a suitable cross bar length from the table.
2. Lay the two *Cross Bar Ends* on the floor and space them at the desired length.
3. Place the *Cross Bar Center* on top of the *Cross Bar Ends* so that it spans the gap and the holes align. Use 4 of the $2\frac{3}{8}$ " Bolts, 8 Flat Washers, and 4 Nuts to connect the *Cross Bar Center* to the *Cross Bar End* in the appropriate holes.



4. Attach *Cross Bar & Plates* to towers by inserting 4 of the $2\frac{3}{4}$ " Bolts, Flat Washers, Plates, Washers, and Nuts. It can be attached at any height along the vertical posts; however, the closer the *Cross Bar* is to the base, the more stable the racks will be when using casters.



PARTS LIST	
Qty	Name
2	Cross Bar End
1	Cross Bar Center
2	End Plate
16	Flat Washer
8	Nut
4	$\frac{5}{16}$ " x $2\frac{3}{8}$ " Hex Head Bolt
4	$\frac{5}{16}$ " x $2\frac{3}{4}$ " Hex Head Bolt

TABLE	
Boat Length	Cross Bar Length
9' 8" - 13' 10"	58"
10' 4" - 14' 9"	62"
11' - 15' 9"	66"
11' 8" - 16' 8"	70"
12' 4" - 17' 7"	74"
13' - 18' 7"	78"

Rev. 12/17

FOR TECHNICAL ASSISTANCE OR REPLACEMENT PARTS: CALL 866.787.7369

OUR PLEDGE TO YOU

Suspenz® products are warranted for life against defects in material or workmanship to the original owner. Product must be used for its intended purpose under normal conditions. Please visit www.Suspenz.com for complete warranty information.

SUSPENZ®, INC.
8725 ROSWELL ROAD #0-220
ATLANTA GA 30350



CUSTOMER SERVICE: 770-518-0045
FAX: 770-518-8507
WEBSITE: WWW.SUSPENZ.COM