

2-BOAT EZ RACK

Model # 12-9902



PARTS LIST	
QTY	Parts
2	24" Base
2	20" Base Leg
2	24" Base Post
2	24" Post
4	EZ Arm
Bag A - Base Post to Base	
8	5/16" x 2 3/4" Carriage Bolt
8	5/16" Washer
8	5/16" Lock Nut
Bag B - Post to Post	
4	5/16" x 1" Hex Bolt
4	5/16" Thick Washer
4	5/16" Lock Washer
Bag D - Arm Mount	
8	5/16" x 3 1/2" Allen Head Bolt
16	5/16" Washer
8	5/16" Lock Nut
Bag G - Leveling Feet	
6	Leveling Feet
12	Hex Nut
6	Anchor
Wrenches	
1	1/2" Wrench
1	#5 Allen Wrench

Step 1

PARTS NEEDED



24" Base (2)



20" Base Leg (2)



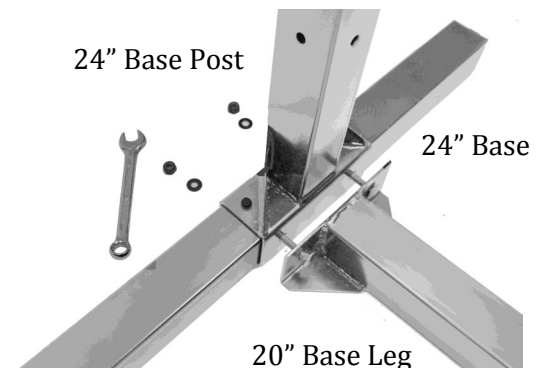
24" Base Post (2)

Hardware Bag A

Tower Base

1. Welded nuts on *24" Base* and *Base Leg* need to be face-down to attach *Leveling Feet* in Step 2.
2. Slide *Base Post* over *Base* with holes lined up (square holes should face *Base Leg*). Insert two *Carriage Bolts* from top with *Washers* and *Lock Washers* on bottom. Hand tighten.
3. Hold *Base Leg* to *Base Post* and line up holes. Insert two *Carriage Bolts* horizontally with *Washer* and *Lock Nut* on backside. Hand tighten.
4. Once all hardware is attached fully tighten vertical bolts before fully tightening horizontal bolts.

Repeat for second tower.



Rev. 11/19

FOR TECHNICAL ASSISTANCE OR REPLACEMENT PARTS: CALL 866.787.7369

SUSPENZ®, INC.
8725 ROSWELL ROAD #0-220
ATLANTA GA 30350



CUSTOMER SERVICE: 770-518-0045
FAX: 770-518-8507
WEBSITE: WWW.SUSPENZ.COM

Step 2

PARTS NEEDED

Hardware Bag G

Leveling Feet

1. The *Anchor* is used when anchoring *Base* to floor, ground or dock. These may be omitted when *Base* is on a stable level surface/environment.
2. For use with *Anchors*, remove first *Hex Nut* from *Leveling Foot*, place *Anchor* on foot and then screw *Hex Nut* back on. Screw into *Base*.
3. For use without *Anchors*, leave one of the *Hex Nuts* on *Leveling Feet* and then screw four *Leveling Feet* into welded nut in each *Base*.

Repeat for second tower.



Step 3

PARTS NEEDED

24" Post (2)

Hardware Bag B

Tower Post

1. Insert *Post* into *Base Post*. Position the *Post* so that the two welded nuts are on the back side.
2. Secure the *Post* using two $\frac{3}{4}$ " *Hex Bolts*, *Lock Washer* and *Thick Washer*.

Repeat for second tower.



Step 4

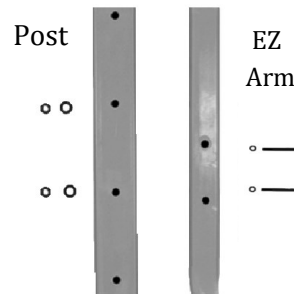
PARTS NEEDED

Arm (4)

Hardware Bag D

Arm to Frame Assembly

1. First set of *Arms* are attached at the lowest position on the front side of *Frames* using *Allen Head Bolts*, *Washers* and *Lock Washer*.
2. Attach second set of *Arms* at the highest position on the front side of *Frames* using *Allen Head Bolts*, *Washers* and *Lock Washer*.



Tower Spacing

The length of your boat will determine tower spacing. Ideal rack spacing is 40% of total boat length, (boat length x 0.4 = spacing).

Feet Adjustments

Adjust Leveling Feet so that both towers are level. Once the leveling feet are adjusted, screw the top hex nut up to base snugly, this is done so the foot will not change height.

Rev. 11/17

FOR TECHNICAL ASSISTANCE OR REPLACEMENT PARTS: CALL 866.787.7369