

ISMS CATALOG

IDEAL SCOPE MOUNT SYSTEM

Spuhr i Dalby AB
Terminalvägen 7C
SE-246 42 Löddeköpinge
Sweden

+46-46-712012
info@spuhr.com
www.spuhr.com

v2017:01

ABOUT THIS CATALOG

Thank you for your interest in our products!

This catalog contains the full assortment of scope mounts and separate rings that make up the ISMS product family. The order of presentation is from no tilt to maximum tilt from the smallest ring size/tube diameter to the largest.

If you cannot find a specific mount you are looking for, and you have a special requirement to fill, we are able to provide mounting solutions outside of our normal product range in this catalog. Such projects do require a minimum volume of 50 units.

In an effort to make this catalog as universal as possible it does not contain any prices, but we have made an effort to include all measurements and the weights of the products when mounted.

We hope you will find this catalog to your liking and we welcome any feedback you may have. If you want to see more of our capabilities, please visit our website www.spuhr.com or www.spuhr.biz.

Yours sincerely,

Håkan Spuhr

CONTENT	
ABOUT THIS CATALOG	2
ABOUT ISMS	4
PICATINNY MOUNTS	5
30 mm Unimounts.....	5
30 mm Cantilever Mounts.....	6
34 mm Unimounts.....	7
34 mm Cantilever Mounts.....	11
35 mm Unimounts.....	12
36 mm Unimounts.....	13
36 mm Cantilever Mounts.....	13
40 mm Unimounts.....	14
QDP PICATINNY MOUNTS	15
34 mm QDP Mounts.....	15
30 mm Cantilever QDP Mounts.....	15
34 mm Cantilever QDP Mounts.....	16
ACCURACY INTERNATIONAL DOVETAIL MOUNTS	17
30 mm Unimounts.....	17
34 mm Unimounts.....	17
SAKO TRG/TIKKA T3 DOVETAIL MOUNTS	18
30 mm Unimounts.....	18
34 mm Unimounts.....	18
SAUER DOVETAIL MOUNTS	19
30 mm Unimounts.....	19
34 mm Unimounts.....	19
SEPARATE PICATINNY RINGS	20
30 mm Separate Rings.....	20
34 mm Separate Rings.....	20
RED DOT MOUNTS	21
Aimpoint Micro Mounts.....	21
Trijicon MRO Mounts.....	21
ACCESSORIES	22
Simrad Interfaces.....	26
ISMS SPARE PARTS LIST	28
Side Clamps.....	29
Top covers.....	29
Other.....	30
Clamping Screws.....	30
"Wedge".....	30
CHOOSING A MOUNT	31
Picatinny or direct/dovetail mount?.....	31
Cantilever or block mount?.....	31
Height.....	31
Night vision/thermal compatibility.....	32
Tilt.....	32
Adding accessories.....	32
Adding a secondary optic.....	32
OTHER PRODUCTS	34

ABOUT ISMS

The Ideal Scope Mount System (ISMS) originated in a customer request to help develop a way to mount the optics to a rifle in such a way that the rings did not obscure the turrets of the scope. With traditional mounting solutions the user has a choice between obscuring either the elevation or the windage adjustments (and in some cases both!)

The first trick was to make the cut of the rings diagonal rather than horizontal or vertical, thus putting the "fat" part of the rings offset from the scope turrets – a solution we ended up patenting. Then we made the sides of the rings straight as to further minimize the profile. We also added indexing marks to the rear ring to draw the eye to the adjustment reading.

We chose to machine the mount out of 7075 T651 billet aluminum for the major parts of the mounts, as this material is lightweight and extremely strong, even outperforming construction steel in several aspects.

The second request was to find a way to attach accessories to the scope mount without having to replace parts of the mount or having to re-zero the scope in between changes – it was also requested that the accessories zero should have a high degree of repeatability. The resulting solution is the Spuhr Interface, which can be found on all our mounts, and most of our weapon upgrade kits.

The resulting product was the first ever scope mounting system - a system where the mount is not just merely there to attach the primary optics to the rifle, but to also hold accessories that may not fit elsewhere on the rifle (especially on a bolt action rifle that only has the Picatinny scope base or a dovetail on the receiver).

An added bonus bubble level installed into the rear of the mount and the 10-degree "wedge" we include with all our mounts to make installation as easy as possible by aligning the bottom of the erector housing of the scope to the bridge of the mount, thus aligning the reticle with bubble level and the mount body.

PICATINNY MOUNTS

30 mm Unimounts

SP-3001 Scope Mount Ø30 H30mm/1.181" 0MIL PIC

Rings: 30 mm
 Tilt: 0 MIL/MOA
 Height: 30 mm/1.18"
 Length: 126 mm/4.96"
 Weight: 237 g/8.4 oz
 Note: Will fit most 30 mm scope tubes except for US Optics TPAL/EREK.
 Suitable for bolt action rifles with 1-piece Picatinny rails.
 EAN: 7340150700065



SP-3601 Scope Mount Ø30 H30mm/1.181" 6MIL PIC

Rings: 30 mm
 Tilt: 6 MIL/20.6 MOA
 Height: 30 mm/1.18"
 Length: 126 mm/4.96"
 Weight: 264 g/9.3 oz
 Note: Will fit most 30 mm scope tubes except for US Optics TPAL/EREK.
 Suitable for bolt action rifles with 1-piece Picatinny rails.
 EAN: 7340150700133



SP-3006 Scope Mount Ø30 H34mm/1.35" 0MIL PIC

Rings: 30 mm
 Tilt: 0 MIL/MOA
 Height: 34 mm/1.35"
 Length: 126 mm/4.96"
 Weight: 269 g/9.5 oz
 Note: Will fit most 30 mm scope tubes except for US Optics TPAL/EREK.
 Suitable for extended Picatinny rails but may be too low for some lens caps.
 EAN: 7340150700096



SP-3002 Scope Mount Ø30 H38mm/1.5" 0MIL PIC

Rings: 30 mm
 Tilt: 0 MIL/MOA
 Height: 38 mm/1.5"
 Length: 126 mm/4.96"
 Weight: 264 g/9.3 oz
 Note: Will fit most 30 mm scope tubes except for US Optics TPAL/EREK.
 Suitable for extended Picatinny rails. Aligns with many clip-on NV attachments.
 EAN: 7340150700072



SP-3602 Scope Mount Ø30 H38mm/1.5" 6MIL PIC

Rings: 30 mm
 Tilt: 6 MIL/20.6 MOA
 Height: 38 mm/1.5"
 Length: 126 mm/4.96"
 Weight: 261 g/9.2 oz
 Note: Will fit most 30 mm scope tubes except for US Optics TPAL/EREK.
 Suitable for extended Picatinny rails. Aligns with many clip-on NV attachments.
 EAN: 7340150700140



SP-3004 Scope Mount Ø30 H48mm/1.89" 0MIL PIC

Rings: 30 mm
 Tilt: 0 MIL/MOA
 Height: 48 mm/1.89"
 Length: 126 mm/4.96"
 Weight: 269 g/9.5 oz
 Note: Will fit most 30 mm scope tubes except for US Optics TPAL/EREK. Suitable for extended Picatinny rails in conjunction with high clip-on NV attachments such as the NSV-80.
 EAN: 7340150700089

**30 mm Cantilever Mounts****SP-3026 Cantilever Scope Mount Ø30 H32mm/1.26" 0MIL PIC**

Rings: 30 mm
 Tilt: 0 MIL/MOA
 Height: 32 mm/1.26"
 Length: 140 mm/5.51"
 Weight: 223 g/7.9 oz
 Note: "The Noveske Shooting Team Mount." Suitable for AR style rifles.
 EAN: 7340150700119

**SP-3016 Cantilever Scope Mount Ø30 H38mm/1.5" 0MIL PIC**

Rings: 30 mm
 Tilt: 0 MIL/MOA
 Height: 38 mm/1.5"
 Length: 150 mm/5.9"
 Weight: 252 g/8.9 oz
 Note: Suitable for AR style rifles. Absolute co-witness with back-up iron sights.
 EAN: 7340150700102

**SP-3616 Cantilever Scope Mount Ø30 H38mm/1.5" 6MIL PIC**

Rings: 30 mm
 Tilt: 6 MIL/20.6 MOA
 Height: 38 mm/1.5"
 Length: 150 mm/5.9"
 Weight: 242 g/8.5 oz
 Note: Suitable for long-range AR style rifles. Absolute co-witness with back-up iron sights.
 EAN: 7340150700157



PICATINNY MOUNTS

34 mm Unimounts

SP-4011 Scope Mount Ø34 H28mm/1.102" 0MIL PIC

Rings: 34 mm
 Tilt: 0 MIL/MOA
 Height: 28 mm/1.102"
 Length: 121 mm/4.76"
 Weight: 231 g/8.1 oz
 Note: "The GA Precision Mount." Designed to be used with Bushnell and S&B 3-12 and 4-16 scopes. Will not work with scopes like the S&B 5-25 or 3-20, Kahles k624i, US Optics TPAL/EREK or Nightforce BEAST. Suitable for bolt action rifles with 1-piece Picatinny rails. A 5th clamping screw allows mount to be mounted as a cantilever.

EAN: 7340150700249



SP-4001 Scope Mount Ø34 H30mm/1.181" 0MIL PIC

Rings: 34 mm
 Tilt: 0 MIL/MOA
 Height: 30 mm/1.18"
 Length: 121 mm/4.76"
 Weight: 228 g/8.0 oz
 Note: Will fit most 34 mm scope tubes except for US Optics TPAL/EREK and Nightforce BEAST. Suitable for bolt action rifles with 1-piece Picatinny rails.

EAN: 7340150700164



SP-4601 Scope Mount Ø34 H30mm/1.181" 6MIL PIC

Rings: 34 mm
 Tilt: 6 MIL/20.6 MOA
 Height: 30 mm/1.18"
 Length: 121 mm/4.76"
 Weight: 227 g/8.0 oz
 Note: Will fit most 34 mm scope tubes except for US Optics TPAL/EREK and Nightforce BEAST. Suitable for bolt action rifles with 1-piece Picatinny rails.

EAN: 7340150700300



SP-4901 Scope Mount Ø34 H30mm/1.181" 9MIL PIC

Rings: 34 mm
 Tilt: 9 MIL/30 MOA
 Height: 30 mm/1.18"
 Length: 121 mm/4.76"
 Weight: 222 g/7.9 oz
 Note: Will fit most 34 mm scope tubes except for US Optics TPAL/EREK and Nightforce BEAST. Suitable for bolt action rifles with 1-piece Picatinny rails.

EAN: 7340150700393



SP-4801 Scope Mount Ø34 H30mm/1.181" 13MIL PIC

Rings: 34 mm
 Tilt: 13 MIL/44.4 MOA
 Height: 30 mm/1.18"
 Length: 121 mm/4.76"
 Weight: 224 g/7.9 oz
 Note: Designed to be used with S&B 5-25 scopes. Will fit most 34 mm scope tubes except for US Optics TPAL/EREK and Nightforce BEAST. Suitable for bolt action rifles with 1-piece Picatinny rails.
 EAN: 7340150700348

**SP-4006 Scope Mount Ø34 H34mm/1.35" 0MIL PIC**

Rings: 34 mm
 Tilt: 0 MIL/MOA
 Height: 34 mm/1.35"
 Length: 121 mm/4.76"
 Weight: 237 g/8.4 oz
 Note: Will fit most 34 mm scope tubes except for US Optics TPAL/EREK and Nightforce BEAST. Suitable for extended Picatinny rails but may be too low for some lens caps.
 EAN: 7340150700218

**SP-4036 Scope Mount Ø34 H34mm/1.35" 0MIL PIC**

Rings: 34 mm
 Tilt: 0 MIL/MOA
 Height: 34 mm/1.35"
 Length: 105 mm/4.13"
 Weight: 210 g/7.4 oz
 Note: Designed specifically for the S&B 5-20x50 Ultra Short.
 EAN: 7340150700270

**SP-4002 Scope Mount Ø34 H38mm/1.5" 0MIL PIC**

Rings: 34 mm
 Tilt: 0 MIL/MOA
 Height: 38 mm/1.5"
 Length: 121 mm/4.76"
 Weight: 263 g/9.3 oz
 Note: Will fit most 34 mm scope tubes except for US Optics TPAL/EREK and Nightforce BEAST. Suitable for extended Picatinny rails. Aligns with many clip-on NV attachments.
 EAN: 7340150700171

**SP-4003B Scope Mount Ø34 H38mm/1.5" 0MIL PIC**

Rings: 34 mm
 Tilt: 0 MIL/MOA
 Height: 38 mm/1.5"
 Length: 147 mm/5.79"
 Weight: 268 g/9.5 oz
 Note: Extended mount designed for US Optics TPAL/EREK and Nightforce BEAST. Suitable for extended Picatinny rails. Aligns with many clip-on NV attachments.
 EAN: 7340150700195



SP-4302 Scope Mount Ø34 H38mm/1.5" 3MIL PIC

Rings: 34 mm
 Tilt: 3 MIL/10 MOA
 Height: 38 mm/1.5"
 Length: 121 mm/4.76"
 Weight: 256 g/9.0 oz
 Note: Will fit most 34 mm scope tubes except for US Optics TPAL/EREK and Nightforce BEAST. Suitable for extended Picatinny rails. Aligns with many clip-on NV attachments.
 EAN: 7340150700294

**SP-4602 Scope Mount Ø34 H38mm/1.5" 6MIL PIC**

Rings: 34 mm
 Tilt: 6 MIL/20.6 MOA
 Height: 38 mm/1.5"
 Length: 121 mm/4.76"
 Weight: 257 g/9.1 oz
 Note: Will fit most 34 mm scope tubes except for US Optics TPAL/EREK and Nightforce BEAST. Suitable for extended Picatinny rails. Aligns with many clip-on NV attachments.
 EAN: 7340150700317

**SP-4603B Scope Mount Ø34 H38mm/1.5" 6MIL PIC**

Rings: 34 mm
 Tilt: 6 MIL/20.6 MOA
 Height: 38 mm/1.5"
 Length: 147 mm/5.79"
 Weight: 268 g/9.5 oz
 Note: Extended mount designed for US Optics TPAL/EREK and Nightforce BEAST. Suitable for extended Picatinny rails. Aligns with many clip-on NV attachments.
 EAN: 7340150700324

**SP-4902 Scope Mount Ø34 H38mm/1.5" 9MIL PIC**

Rings: 34 mm
 Tilt: 9 MIL/30 MOA
 Height: 38 mm/1.5"
 Length: 121 mm/4.76"
 Weight: 248 g/8.7 oz
 Note: Will fit most 34 mm scope tubes except for US Optics TPAL/EREK and Nightforce BEAST. Suitable for extended Picatinny rails. Aligns with many clip-on NV attachments.
 EAN: 7340150700409

**SP-4802 Scope Mount Ø34 H38mm/1.5" 13MIL PIC**

Rings: 34 mm
 Tilt: 13 MIL/44.4 MOA
 Height: 38 mm/1.5"
 Length: 121 mm/4.76"
 Weight: 254 g/9.0 oz
 Note: Designed to be used with S&B 5-25 scopes. Will fit most 34 mm scope tubes except for US Optics TPAL/EREK and Nightforce BEAST. Suitable for extended Picatinny rails. Aligns with many clip-on NV attachments.
 EAN: 7340150700355



SP-4803B Scope Mount Ø34 H38mm/1.5" 13MIL PIC

Rings: 34 mm
 Tilt: 13 MIL/44.4 MOA
 Height: 38 mm/1.5"
 Length: 147 mm/5.79"
 Weight: 268 g/9.5 oz
 Note: Extended mount designed for US Optics TPAL/EREK and Nightforce BEAST. Suitable for extended Picatinny rails. Aligns with many clip-on NV attachments.
 EAN: 7340150700362

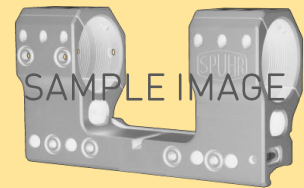
**SP-4007 Scope Mount Ø34 H39mm/1.535" 0MIL PIC**

Rings: 34 mm
 Tilt: 0 MIL/MOA
 Height: 39 mm/1.535"
 Length: 121 mm/4.76"
 Weight: 259 g/9.1 oz
 Note: Will fit most 34 mm scope tubes except for US Optics TPAL/EREK and Nightforce BEAST. Suitable for extended Picatinny rails. Aligns with many clip-on NV attachments.
 EAN: 7340150700225

**SP-4008 Scope Mount Ø34 H44mm/1.73" 0MIL PIC**

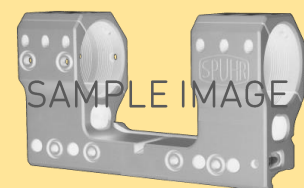
***** SPECIAL ORDER ITEM – MINIMUM QTY 50 PCS*****

Rings: 34 mm
 Tilt: 0 MIL/MOA
 Height: 44 mm/1.73"
 Length: 121 mm/4.76"
 Weight: 265 g/9.3 oz
 Note: Will fit most 34 mm scope tubes except for US Optics TPAL/EREK and Nightforce BEAST. Suitable for extended Picatinny rails in conjunction with high clip-on NV attachments such as the NSV-80.
 EAN: 7340150700232

**SP-4808 Scope Mount Ø34 H44mm/1.73" 13MIL PIC**

***** SPECIAL ORDER ITEM – MINIMUM QTY 50 PCS *****

Rings: 34 mm
 Tilt: 13 MIL/44.4 MOA
 Height: 44 mm/1.73"
 Length: 121 mm/4.76"
 Weight: 261 g/9.2 oz
 Note: Will fit most 34 mm scope tubes except for US Optics TPAL/EREK and Nightforce BEAST. Suitable for extended Picatinny rails in conjunction with high clip-on NV attachments such as the NSV-80.
 EAN: 7340150700386

**SP-41808 Scope Mount Ø34 H48mm/1.89" 18MIL PIC**

***** SPECIAL ORDER ITEM – MINIMUM QTY 50 PCS *****

Rings: 34 mm
 Tilt: 18 MIL/61.8 MOA
 Height: 44 mm/1.73"
 Length: 121 mm/4.76"
 Weight: 258 g/9.1 oz
 Note: Will fit most 34 mm scope tubes except for US Optics TPAL/EREK and Nightforce BEAST. Suitable for extended Picatinny rails in conjunction with high clip-on NV attachments such as the NSV-80.
 EAN: 7340150700287



SP-4004 Scope Mount Ø34 H48mm/1.89" 0MIL PIC

Rings: 34 mm
 Tilt: 0 MIL/MOA
 Height: 48 mm/1.89"
 Length: 121 mm/4.76"
 Weight: 269 g/9.5 oz
 Note: Will fit most 34 mm scope tubes except for US Optics TPAL/EREK and Nightforce BEAST. Suitable for extended Picatinny rails in conjunction with high clip-on NV attachments such as the NSV-80.
 EAN: 7340150700201

**SP-4804 Scope Mount Ø34 H48mm/1.89" 13MIL PIC**

Rings: 34 mm
 Tilt: 13 MIL/44.4 MOA
 Height: 48 mm/1.89"
 Length: 121 mm/4.76"
 Weight: 265 g/8.3 oz
 Note: Will fit most 34 mm scope tubes except for US Optics TPAL/EREK and Nightforce BEAST. Suitable for extended Picatinny rails in conjunction with high clip-on NV attachments such as the NSV-80.
 EAN: 7340150700379

**34 mm Cantilever Mounts****SP-4026 Cantilever Scope Mount Ø34 H32mm/1.26" 0MIL PIC**

Rings: 34 mm
 Tilt: 0 MIL/MOA
 Height: 32 mm/1.26"
 Length: 140 mm/5.51"
 Weight: 224 g/7.9 oz
 Note: "The Noveske Shooting Team Mount." Suitable for AR style rifles.
 EAN: 7340150700263

**SP-4016 Cantilever Scope Mount Ø34 H38mm/1.5" 0MIL PIC**

Rings: 34 mm
 Tilt: 0 MIL/MOA
 Height: 38 mm/1.5"
 Length: 150 mm/5.9"
 Weight: 252 g/8.9 oz
 Note: Suitable for AR style rifles. Absolute co-witness with back-up iron sights.
 EAN: 7340150700256

**SP-4616 Cantilever Scope Mount Ø34 H38mm/1.5" 6MIL PIC**

Rings: 34 mm
 Tilt: 6 MIL/20.6 MOA
 Height: 38 mm/1.5"
 Length: 150 mm/5.9"
 Weight: 252 g/8.9 oz
 Note: Suitable for long-range AR style rifles. Absolute co-witness with back-up iron sights.
 EAN: 7340150700331



PICATINNY MOUNTS

35 mm Unimounts

SP-5001 Scope Mount Ø35 H30mm/1.181" 0MIL PIC

Rings: 35 mm
 Tilt: 0 MIL/MOA
 Height: 30 mm/1.18"
 Length: 126 mm/4.96"
 Weight: 239 g/8.4 oz
 Note: Suitable for bolt action rifles with 1-piece Picatinny rails.
 EAN: 7340150700416



SP-5601 Scope Mount Ø35 H30mm/1.181" 6MIL PIC

Rings: 35 mm
 Tilt: 6 MIL/20.6 MOA
 Height: 30 mm/1.18"
 Length: 126 mm/4.96"
 Weight: 238 g/8.4 oz
 Note: Suitable for bolt action rifles with 1-piece Picatinny rails.
 EAN: 7340150700447



SP-5006 Scope Mount Ø35 H34mm/1.35" 0MIL PIC

Rings: 35 mm
 Tilt: 0 MIL/MOA
 Height: 34 mm/1.35"
 Length: 126 mm/4.96"
 Weight: 251 g/8.9 oz
 Note: Suitable for extended Picatinny rails but may be too low for some lens caps.
 EAN: 7340150700430



SP-5002 Scope Mount Ø35 H38mm/1.5" 0MIL PIC

Rings: 35 mm
 Tilt: 0 MIL/MOA
 Height: 38 mm/1.5"
 Length: 126 mm/4.96"
 Weight: 272 g/9.6 oz
 Note: Suitable for extended Picatinny rails. Aligns with many clip-on NV attachments.
 EAN: 7340150700423



SP-5602 Scope Mount Ø35 H38mm/1.5" 6MIL PIC

Rings: 35 mm
 Tilt: 6 MIL/20.6 MOA
 Height: 38 mm/1.5"
 Length: 126 mm/4.96"
 Weight: 268 g/9.5 oz
 Note: Suitable for extended Picatinny rails. Aligns with many clip-on NV attachments.
 EAN: 7340150700454



PICATINNY MOUNTS

36 mm Unimounts

SP-6002 Scope Mount Ø36 H38mm/1.5" 0MIL PIC

Rings: 36 mm
 Tilt: 0 MIL/MOA
 Height: 38 mm/1.5"
 Length: 139 mm/5.47"
 Weight: 272 g/9.6 oz
 Note: Suitable for extended Picatinny rails. Aligns with many clip-on NV attachments.
 EAN: 7340150700461



SP-61602 Scope Mount Ø30 H38mm/1.5" 16MIL PIC

***** SPECIAL ORDER ITEM – MINIMUM QTY 50 PCS *****

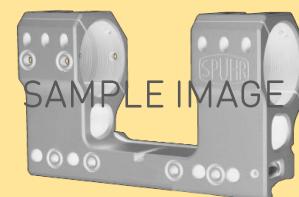
Rings: 36 mm
 Tilt: 16 MIL/55 MOA
 Height: 38 mm/1.5"
 Length: 139 mm/5.47"
 Weight: 272 g/9.6 oz
 Note: Suitable for extended Picatinny rails. Aligns with many clip-on NV attachments.
 EAN: 7340150700508



SP-6004 Scope Mount Ø36 H48mm/1.89" 0MIL PIC

***** SPECIAL ORDER ITEM – MINIMUM QTY 50 PCS *****

Rings: 36 mm
 Tilt: 0 MIL/MOA
 Height: H48mm/1.89"
 Length: 139 mm/5.47"
 Weight: 280 g/9.9 oz
 Note: Suitable for extended Picatinny rails. Aligns with many clip-on NV attachments.
 EAN: 7340150700478



36 mm Cantilever Mounts

SP-6026 Cantilever Scope Mount Ø36 H32mm/1.26" 0MIL PIC

Rings: 36 mm
 Tilt: 0 MIL/MOA
 Height: 32 mm/1.26"
 Length: 140 mm/5.51"
 Weight: 223 g/7.9 oz
 Note: "The Noveske Shooting Team Mount." Suitable for AR style rifles.
 EAN: 7340150700492



SP-6016 Cantilever Scope Mount Ø36 H38mm/1.5" 0MIL PIC

Rings: 36 mm
 Tilt: 0 MIL/MOA
 Height: 38 mm/1.5"
 Length: 154 mm/6.06"
 Weight: 264 g/9.3 oz
 Note: Suitable for AR style rifles. Absolute co-witness with back-up iron sights.
 EAN: 7340150700485



PICATINNY MOUNTS

40 mm Unimounts

SP-7601 Scope Mount Ø40 H30mm/1.181" 6MIL PIC

Rings: 40 mm
Tilt: 6 MIL/20.6 MOA
Height: 30 mm/1.18"
Length: 126 mm/4.96"
Weight: 234 g/8.3 oz
Note: Suitable for bolt action rifles with 1-piece Picatinny rails.
EAN: 7340150700515



SP-7602 Scope Mount Ø40 H38mm/1.5" 6MIL PIC

*** COMING IN 2017 ***

Rings: 40 mm
Tilt: 6 MIL/20.6 MOA
Height: 38 mm/1.5"
Length: 126 mm/4.96"
Weight: TBD
Note: Suitable for extended Picatinny rails. Aligns with many clip-on NV attachments.
EAN: TBD



QDP PICATINNY MOUNTS

34 mm QDP Mounts

QDP-4002 Scope Mount Ø34 H38mm/1.5" 0MIL PIC

Rings: 34 mm
 Tilt: 0 MIL/MOA
 Height: 38 mm/1.5"
 Length: 121 mm/4.76" (mount body only)
 Weight: 267 g/9.4 oz
 Note: Dual adjustable QDP levers. Will not fit US Optics TPAL/EREK and Nightforce BEAST. Suitable for extended Picatinny rails.
 EAN: 7340150705053



QDP-4602 Scope Mount Ø34 H38mm/1.5" 6MIL PIC

Rings: 34 mm
 Tilt: 6 MIL/20.6 MOA
 Height: 38 mm/1.5"
 Length: 121 mm/4.76" (mount body only)
 Weight: 267 g/9.4 oz
 Note: Dual adjustable QDP levers. Will not fit US Optics TPAL/EREK and Nightforce BEAST. Suitable for extended Picatinny rails.
 EAN: 7340150705077



30 mm Cantilever QDP Mounts

QDP-3046 Cantilever Scope Mount Ø30 H34mm/1.35" 0MIL QD

*** COMING IN Q1 2017 ***

Rings: 30 mm
 Tilt: 0 MIL/MOA
 Height: 34 mm/1.35"
 Length: 151 mm/5.94" (mount body only)
 Weight: TBD
 Note: Dual adjustable QDP levers. Suitable for AR-style rifles.
 EAN: 7340150705121



QDP-3016 Cantilever Scope Mount Ø30 H38mm/1.5" 0MIL QD

*** COMING IN 2017 ***

Rings: 30 mm
 Tilt: 0 MIL/MOA
 Height: 38 mm/1.5"
 Length: 151 mm/5.94" (mount body only)
 Weight: TBD
 Note: Dual adjustable QDP levers. Suitable for AR-style rifles.
 EAN: 7340150705039



QDP-3616 Cantilever Scope Mount Ø30 H38mm/1.5" 6MIL QD

*** COMING IN 2017 ***

Rings: 30 mm
 Tilt: 6 MIL/20.6 MOA
 Height: 38 mm/1.5"
 Length: 151 mm/5.94" (mount body only)
 Weight: TBD
 Note: Dual adjustable QDP levers. Suitable for long-range AR-style rifles.
 EAN: 7340150705046



34 mm Cantilever QDP Mounts

QDP-4046 Cantilever Scope Mount Ø34 H34mm/1.35" 0MIL QD

*** COMING IN Q1 2017 ***

Rings: 34 mm
 Tilt: 0 MIL/MOA
 Height: 34 mm/1.35"
 Length: 151 mm/5.94" (mount body only)
 Weight: 268 g/9.5 oz
 Note: Dual adjustable QDP levers. Suitable for AR-style rifles.
 EAN: 7340150705138



QDP-4016 Cantilever Scope Mount Ø34 H38mm/1.5" 0MIL QD

*** COMING IN Q1 2017 ***

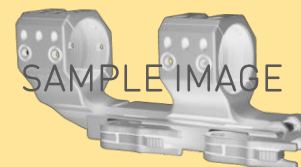
Rings: 34 mm
 Tilt: 0 MIL/MOA
 Height: 38 mm/1.5"
 Length: 151 mm/5.94" (mount body only)
 Weight: 270 g/9.5 oz
 Note: Dual adjustable QDP levers. Suitable for AR-style rifles.
 EAN: 7340150705060



QDP-4616 Cantilever Scope Mount Ø34 H38mm/1.5" 0MIL QD

*** COMING IN 2017 ***

Rings: 34 mm
 Tilt: 6 MIL/20.6 MOA
 Height: 38 mm/1.5"
 Length: 151 mm/5.94" (mount body only)
 Weight: TBD
 Note: Dual adjustable QDP levers. Suitable for AR-style rifles.
 EAN: 7340150705084



ACCURACY INTERNATIONAL DOVETAIL MOUNTS

30 mm Unimounts

SA-3601 Scope Mount Ø30 H35mm/1.378" 6MIL AI

Rings: 30 mm
 Tilt: 6 MIL/20.6 MOA
 Height: 35 mm/1.38"
 Length: 126 mm/4.96"
 Weight: 226 g/8.0 oz
 Note: Will fit most 30 mm scope tubes except for US Optics TPAL/EREK.
 EAN: 7340150700003



34 mm Unimounts

SA-4601 Scope Mount Ø34 H35mm/1.378" 6MIL AI

Rings: 34 mm
 Tilt: 6 MIL/24 MOA
 Height: 35 mm/1.38"
 Length: 121 mm/4.76"
 Weight: 224 g/7.9 oz
 Note: Will fit most 34 mm scope tubes except for US Optics TPAL/EREK and Nightforce BEAST.
 EAN: 7340150700010



SA-4901 Scope Mount Ø34 H35mm/1.378" 9MIL AI

Rings: 34 mm
 Tilt: 9 MIL/30 MOA
 Height: 35 mm/1.38"
 Length: 121 mm/4.76"
 Weight: 223 g/7.9 oz
 Note: Will fit most 34 mm scope tubes except for US Optics TPAL/EREK and Nightforce BEAST.
 EAN: 7340150700041



SA-4801 Scope Mount Ø34 H35mm/1.378" 13MIL AI

Rings: 34 mm
 Tilt: 13 MIL/44.4 MOA
 Height: 35 mm/1.38"
 Length: 121 mm/4.76"
 Weight: 224 g/7.9 oz
 Note: Will fit most 34 mm scope tubes except for US Optics TPAL/EREK and Nightforce BEAST.
 EAN: 7340150700034



SA-4908 Scope Mount Ø34 H44mm/1.732" 9MIL AI (NVG)

*** SPECIAL ORDER ITEM – MINIMUM QTY 50 PCS ***

Rings: 34 mm
 Tilt: 9 MIL/30 MOA
 Height: 44 mm/1.732"
 Length: 121 mm/4.76"
 Weight: 240 g/8.5 oz
 Note: Will fit most 34 mm scope tubes except for US Optics TPAL/EREK and Nightforce BEAST. Designed for use with NV attachments.
 EAN: 7340150700058



SAKO TRG/TIKKA T3 DOVETAIL MOUNTS

30 mm Unimounts

ST-3701 Scope Mount Ø30 H35mm/1.378" 7MIL TRG

Rings: 30 mm
 Tilt: 7 MIL/24 MOA
 Height: 35 mm/1.38"
 Length: 126 mm/4.96"
 Weight: 241 g/8.5 oz
 Note: Will fit most 30 mm scope tubes except for US Optics TPAL/EREK.
 EAN: 7340150700577



34 mm Unimounts

ST-4701 Scope Mount Ø34 H35mm/1.378" 7MIL TRG

Rings: 34 mm
 Tilt: 7 MIL/24 MOA
 Height: 35 mm/1.38"
 Length: 121 mm/4.76"
 Weight: 235 g/8.3 oz
 Note: Will fit most 34 mm scope tubes except for US Optics TPAL/EREK and Nightforce BEAST.
 EAN: 7340150700584



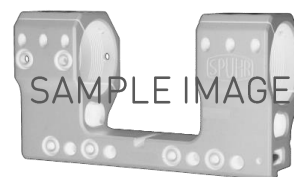
ST-4801 Scope Mount Ø34 H35mm/1.378" 13MIL TRG

Rings: 34 mm
 Tilt: 13 MIL/44.4 MOA
 Height: 35 mm/1.38"
 Length: 121 mm/4.76"
 Weight: 238 g/8.4 oz
 Note: Designed to be used with S&B 5-25 scopes. Will fit most 34 mm scope tubes except for US Optics TPAL/EREK and Nightforce BEAST.
 EAN: 7340150700607



ST-4708 Scope Mount Ø34 H44mm/1.732" 7MIL TRG

Rings: 34 mm
 Tilt: 7 MIL/24 MOA
 Height: 44mm/1.732"
 Length: 121 mm/4.76"
 Weight: 256 g/9.0 oz
 Note: Will fit most 34 mm scope tubes except for US Optics TPAL/EREK and Nightforce BEAST. Designed for use with NV attachments.
 EAN: 7340150700591



ST-4808 Scope Mount Ø34 H44mm/1.732" 13MIL TRG

Rings: 34 mm
 Tilt: 13 MIL/44.4 MOA
 Height: 44mm/1.732"
 Length: 121 mm/4.76"
 Weight: 256 g/9.0 oz
 Note: Designed to be used with S&B 5-25 scopes. Will fit most 34 mm scope tubes except for US Optics TPAL/EREK and Nightforce BEAST. Designed for use with NV attachments.
 EAN: 7340150700614



SAUER DOVETAIL MOUNTS

30 mm Unimounts

SS-3601 Scope Mount Ø30 H30mm/1.181" 6MIL Sauer

Rings: 30 mm
Tilt: 6 MIL/20.6 MOA
Height: 35 mm/1.38"
Length: 126 mm/4.96"
Weight: 220 g/7.8 oz
Note: Will fit most 30 mm scope tubes except for US Optics TPAL/EREK.
Includes adjustable recoil screw,
EAN: 7340150700553



34 mm Unimounts

SS-4901 Scope Mount Ø34 H30mm/1.181" 9MIL Sauer

Rings: 34 mm
Tilt: 9 MIL/30 MOA
Height: 35 mm/1.38"
Length: 121 mm/4.76"
Weight: 218 g/7.7 oz
Note: Will fit most 34 mm scope tubes except for US Optics TPAL/EREK
and Nightforce BEAST. Includes adjustable recoil screw,
EAN: 7340150700560



SEPARATE PICATINNY RINGS

30 mm Separate Rings

SR-3000 Separate Rings Ø30 H25.4mm/1"

Rings:	30 mm
Height:	25.4 mm/1"
Length:	32 mm/1.26"
Weight:	175 g/6.2 oz
Note:	Suitable for bolt action rifles with Picatinny rails.
EAN:	7340150700522



SR-3006 Separate Rings Ø30 H34mm/1.35"

*** COMING IN 2017 ***

Rings:	30 mm
Height:	34 mm/1.35"
Length:	32 mm/1.26"
Weight:	TBD
Note:	Suitable for all rifles with Picatinny rails.
EAN:	TBD



34 mm Separate Rings

SR-4000 Separate Rings Ø34 H25.4mm/1"

Rings:	34 mm
Height:	25.4 mm/1"
Length:	32 mm/1.26"
Weight:	183 g/6.5 oz
Note:	Suitable for bolt action rifles with Picatinny rails.
EAN:	7340150700546



SR-4006 Separate Rings Ø34 H34mm/1.35"

*** COMING IN 2017 ***

Rings:	34 mm
Height:	34 mm/1.35"
Length:	32 mm/1.26"
Weight:	TBD
Note:	Suitable for all rifles with Picatinny rails.
EAN:	TBD



RED DOT MOUNTS

Aimpoint Micro Mounts

SM-1900 Aimpoint Micro Mount, 22 mm/0.866"

Height: 22 mm/0.866"
 Weight: 45 g/1.6 oz
 Note: Suitable for rifles with high Picatinny rails.
 EAN: 7340150701048



SM-2001 Aimpoint Micro Mount, 30 mm/1.18"

Height: 30 mm/1.18"
 Weight: 63 g/2.2 oz
 Note: Suitable for rifles with high Picatinny rails.
 EAN: 7340150701055



SM-2007 Aimpoint Micro Mount, Absolute

*** WILL BE RENAMED SM-2002 IN 2017 ***

Height: 38 mm/1.5"
 Weight: 88 g/3.1 oz
 Note: Absolute co-witness with Aimpoint T2.
 Suitable for flat-top AR15/M4.
 EAN: 7340150701062



SM-2007b Aimpoint Micro Mount, Lower 1/3

Height: 41 mm/1.614"
 Weight: 91 g/3.2 oz
 Note: The toughest Aimpoint Micro Mount on the market.
 Lower 1/3 co-witness with Aimpoint T2. Suitable for
 flat-top AR15/M4.
 EAN: 7340150701079



Trijicon MRO Mounts

SM-3002 Trijicon MRO Mount, Absolute

*** COMING IN 2017 ***

Height: 38 mm/1.5"
 Weight: TBD
 Note: Absolute co-witness. Suitable for flat-top AR15/M4.
 EAN: 7340150701093



ACCESSORIES

A-0001 Spacer for Interface, 4 mm/.157"

Height: 4 mm/.157"
 Weight: 7 g/0.2 oz
 Note: Designed to raise interfaces above turrets and large objectives.
 Includes screws.
 EAN: 7340150710002



A-0003 Picatinny Rail 10x55 mm

Height: 10 mm/.39"
 Length: 55 mm/2.16"
 Weight: 18 g/0.6 oz
 Note: Picatinny interface for attaching 3rd party accessories with Picatinny clamps to the ISMS scope mount. Includes screws.
 EAN: 7340150710040



A-0004 ACI Interface, QD

Weight: 19 g/0.7 oz
 Note: QD Interface for attaching Angle Cosine Indicator to the ISMS scope mount. Includes screws.
 EAN: 7340150710064



A-0009 Delta Point Interface

Weight: 17 g/0.6 oz
 Note: Interface for attaching a Leupold DeltaPoint to the scope mount. Will also fit Shield Mini Sight, JPoint, Firepoint, Tasco Optima, and Trijicon RedDot. Includes screws.
 EAN: 7340150710088



A-0010 Trijicon RMR Interface

Weight: 21 g/0.7 oz
 Note: Interface for attaching a Trijicon RMR to an ISMS scope mount. Includes screws.
 EAN: 7340150710095



A-0011 Docter/Burris Fastfire Interface

Weight: 16 g/0.6 oz
 Note: Interface for attaching a Docter, Burris FastFire, or Vortex Venom red dot sight to the scope mount. Includes screws.
 EAN: 7340150710101



A-0011B Docter/Burris Fastfire Protected Interface w/ Hood

Weight: 39 g/1.4 oz
 Note: Protected interface with hood for attaching a Docter, Burris FastFire, or Vortex Venom red dot sight to the scope mount. Will not fit Burris Fastfire III. Includes screws.
 EAN: 7340150710118

**A-0011H DR/Burris Hood**

Weight: 19 g/0.7 oz
 Note: Replacement hood for A-0011B.
 EAN: 7340150710125

**A-0015 Spacer for Interface, 10 mm/.39"**

Height: 10 mm/.39"
 Weight: 14 g/0.5 oz
 Note: Designed to raise interfaces above turrets and large objectives. Includes screws.
 EAN: 7340150710149

**A-0021 FLIR Tri-Rail**

Length: 120 mm/4.72"
 Weight: 262 g/9.3 oz
 Note: Interface for mounting FLIR thermal image intensifier to 34 mm ISMS mount. Fits around front ring. Includes screws.
 EAN: 7340150710279

**A-0023 ACI Interface**

Weight: 16 g/0.6 oz
 Note: Interface for attaching Angle Cosine Indicator to the ISMS scope mount. Includes screws.
 EAN: 7340150710170

**A-0025 Aimpoint Micro Interface**

Weight: 43 g/1.5 oz
 Note: Interface for attaching Aimpoint Micro or Vortex SPARC® AR red dot sight to the right side of the ISMS scope mount (4:30-position). Includes screws.
 EAN: 7340150710187

**A-0025B Aimpoint Micro Interface, Left**

Weight: 43 g/1.5 oz
 Note: Interface for attaching Aimpoint Micro or Vortex SPARC® AR red dot sight to the left side of the ISMS scope mount (7:30-position). Includes screws.
 EAN: 7340150710194



A-0029 Wilcox RAPTAR Adapter

Height: 25 mm/0.984"
 Length: 85 mm/3.346" (Picatinny Rail)
 Weight: 42 g/1.5 oz
 Note: Interface for attaching Wilcox RAPTAR or SilencerCo RADIUS laser range finder to ISMS scope mount. Includes screws.
 EAN: 7340150710200

**A-0029B Wilcox RAPTAR-S Adapter, High**

*** COMING IN 2017 ***

Height: TBD
 Length: TBD
 Weight: TBD
 Note: Interface for attaching Wilcox RAPTAR, RAPTAR-S or SilencerCo RADIUS laser range finder to ISMS scope mount. Includes screws.
 EAN: TBD

**A-0032 Picatinny Rail 14x75 mm**

Height: 14 mm/0.55"
 Length: 75 mm/2.95"
 Weight: 31 g/1.1 oz
 Note: Picatinny interface for attaching 3rd party accessories with Picatinny clamps to the ISMS scope mount. Includes screws.
 EAN: 7340150710217

**A-0037 Picatinny Rail 20x75 mm**

Height: 20 mm/0.79"
 Length: 75 mm/2.95"
 Weight: 32 g/1.1 oz
 Note: Picatinny interface for attaching 3rd party accessories with Picatinny clamps to the ISMS scope mount. Includes screws.
 EAN: 7340150710224

**A-0046B Mirage Band Interface**

Weight: 2 g/0.1 oz
 Note: Hook for attaching mirage band to front of ISMS scope mounts. Fits AI, SAKO, and Sauer mirage bands. Cannot be used with cantilever ISMS scope mounts. Includes screws.
 EAN: 7340150710293

**A-0080/81 Leveling Kit, Separate Rings**

Note: Leveling kit for indexing the reticle to the Picatinny Rail. Included with SR-series of rings. Cannot be used with Weaver rails, ISMS unimounts or ISMS cantilever mounts.
 EAN: 7340150710231



A-0090 Picatinny Tri-Rail, Short

Length: 70 mm/2.76"
 Weight: 146 g/5.2 oz
 Note: Interface for attaching 3rd party accessories with Picatinny clamps to the top and sides of a 34 mm ISMS scope mount. Fits around front ring on 34 mm mounts. Includes screws.
 EAN: 7340150710248



A-0094 Horus ACI Adapter

Weight: 7 g/0.2 oz
 Note: Adapter plate for using Horus Vision Angle Slope Level Indicator in A-0004 and A-0023 interfaces designed for Sniper Tools LLC ACI.
 EAN: 7340150710309



A-700 NV Clip-On Adapter

Length: 300 mm/11.81" (from face of mount)
 140 mm/5.51" (length of Picatinny)
 Weight: 200 g/7.0 oz
 Note: Adapter rail for attaching a clip-on NV device to rifles without extended Picatinny rails. Attaches to 01- and 02-series mounts and allows the NV device to be aligned despite tilt. Not for use on rifles larger than 7.62 NATO. Includes screws.
 EAN: 7340150710262



FixIt Sticks Spuhr Torque Kit

Note: FixIt Sticks Spuhr-specific torque kit containing two Fixit sticks, a 25 in/lb and a 45 in/lb torque limiter, and two each of standard length and extended length Torx 20 bits. Delivered in slim soft pouch with Velcro panel and PALS.
 Includes an *Approved by Spuhr* patch.
 EAN: 7340150710316



Accessories & Spares Kit

Note: At times customers require a way to transport accessories and spare parts in a well-organized way. The A-0039 and A-0039B kits are in government use and contain various customer specified captive-screw accessories, spare parts, and a Torx key to make field expedient repairs.
 EAN: 7340150710323 (A-0039)
 7340150710330 (A-0039B)



Simrad Interfaces

Please note that Simrad image intensifiers are available with a wide assortment of locking interfaces. As an example the KN200 and KN250 series can be had with both single and dual lever interfaces with various lengths and shapes. The length and diameter of the rifle scope will also impact which interface will fit and which will not.

A-0014 Simrad Mount

Height: 22 mm/0.866" (from centerline)
 Weight: 16 g/0.6 oz
 Note: Interface for mounting single-lever Simrad KN200/250 Image Intensifier to a 30 mm mount with short scope such as the S&B 3-12x50. Not for US Simrad dovetails. Includes screws.
 EAN: 7340150710347



A-0014B Simrad Mount Short, 40 mm

Height: 24 mm/0.945" (from centerline)
 Weight: 18 g/0.6 oz
 Note: Interface for mounting single-lever Simrad KN200/250 Image Intensifier to a 34 mm mount with short scope such as the S&B 3-12x50. 0mm offset. Not for US Simrad dovetails. Includes screws.
 EAN: 7340150710132



A-0017 Simrad Mount, 52 mm

Height: 24 mm/0.945" (from centerline)
 Weight: 28 g/1.0 oz
 Note: Interface for mounting single-lever Simrad KN200/250 Image Intensifier to a 34 mm mount. 2 mm offset. Not for US Simrad dovetails. Includes screws.
 EAN: 7340150710156



A-0018 US Simrad Mount

Height: 24 mm/0.945" (from centerline)
 Weight: 25 g/0.9 oz
 Note: Interface for mounting single-lever Simrad KN200/250 Image Intensifier to a 34 mm mount. For US Simrad dovetails. Includes screws.
 EAN: 7340150710163



A-0024 Simrad Mount, 46 mm

Height: 24 mm/0.945" (from centerline)
 Weight: N/A
 Note: Interface for mounting single-lever Simrad KN200/250 Image Intensifier to a 34 mm mount with short scope such as the S&B 3-12x50. Not for US Simrad dovetails. Includes screws.
 EAN: 7340150710361



A-0049 Simrad S&B 5-25 Gen1 Top Cover

Height: 29.5 mm/1.161" (from centerline)
 Weight: 77 g/2.7 oz
 Note: Replacement front top cover for mounting single-lever Simrad KN200/250 Image Intensifier to a Gen1 34 mm mount. 7.5 mm offset. Not for US Simrad dovetails.
 EAN: 7340150710378



A-0091 Simrad Gen1 Top Cover, 75 mm

Height: 29.5 mm/1.161" (from centerline)

Weight: 77 g/2.7 oz

Note: Replacement front top cover for mounting single-lever Simrad KN200/250 Image Intensifier to a Gen1 34 mm mount with short scope such as the S&B 3-12x50, 7.5 mm offset. Not for US Simrad dovetails.

EAN: 7340150710385

**A-0115 Simrad Interface, Magnum**

Height: 45.5 mm/1.791" (from centerline)

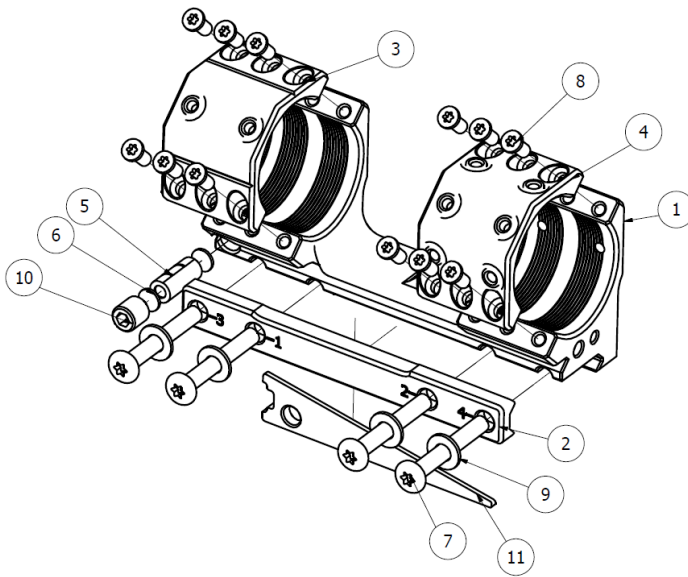
Weight: 120 g/4.2 oz

Note: Replacement front top cover for mounting dual-lever Simrad KN200/250 Image Intensifier to a Gen2 34 mm mount. Not for US Simrad dovetails. For heavy recoiling rifles.

EAN: 7340150710286



ISMS SPARE PARTS LIST



Nomenclature

1. Scope Mount Base
2. Side Clamp
3. Rear Top Cover
4. Front Top Cover
5. Bubble Level Vial (A-0110) *
6. Rubber Gasket (A-0170) *
7. Clamping Screws
8. Top Ring Screws (P-100) *
9. Clamping Screws Washers (A-0180) *
10. Set Screw (A-0140) *
11. 10-degree levelling key ("Wedge")

* Shared by all 1-piece mounts

Scope Mount Base

The Scope Mount Base is marked with the mount model number engraved on the side of the bridge¹. The batch number is engraved into the bottom of the mount. Old batch numbers consisted of a single letter followed by four numbers, such as M-1204 or M12/04, where the numbers indicate year and month. Current batch number format is four letters, such as NKSX.

Side Clamp

The Side Clamp is marked with model number and batch number on the backside. The part number is an A followed by four digits. The batch number formats follows the same patterns as that of the Scope Mount Bases.

Top Covers

The Top Covers are marked with a part number and a batch number. The batch number formats follows the same patterns as that of the Scope Mount Bases and the Side Clamps. Gen1 Top Cover part numbers is an A followed by four digits² whereas Gen2 Top Cover part numbers is an A followed by two digits. Gen2 Top Covers can be distinguished from Gen1 Top Covers by the side-to-side groove crossing the top:



Gen1 Rear Top Cover, no groove



Gen2 Front Top Cover, w/ groove

Note: Gen1 and Gen2 Top Covers are not interchangeable with each other.

¹ SA for Accuracy International 11 mm dovetail, QDP or SP for Picatinny/STANAG rail, SS for Sauer STR/SSG69, and ST for SAKO TRG/Tikka T3.

² Ending on a 0 for Rear Top Cover and a 1 for Front Top Covers.

SIDE CLAMPS	MOUNT MODELS
A-0060	SP-4001, SP-4601, SP-4801, SP-4901
A-0063	SP-4011
A-0064	SP-4002, SP-4004, SP-4006, SP-4007, SP-4008, SP-41808, SP-4302, SP-4602, SP-4802, SP-4804, SP-4808, SP-4902
A-0065	SP-3002, SP-3004, SP-3006, SP-3602, SP-5002, SP-5006, SP-5602
A-0066	SP-3016, SP-3616, SP-4016, SP-4616
A-0067	Discontinued (first batch of SP-5001)
A-0069	SP-4003B, SP-4603B, SP-4803B
A-0070	SA-4601, SA-4801, SA-4901, ST-4701, ST-4708, ST-4801, ST-4808
A-0071	Discontinued (old style SA/ST-series)
A-0072	SP-6002, SP-6004, SP-61602
A-0075	SR-3000, SR-4000
A-0077	SP-6016
A-0083	SP-3001, SP-3601, SP-5001, SP-5601, SP-7601
A-0084	SP-3026, SP-4026, SP-6026
A-0086	SP-4036
A-0087	SA-3601, ST-3701
QD-006	QDP-4002, QDP-4602
QD-009	QDP-3016, QDP-3046, QDP-3616 QDP-4016, QDP-4046, QDP-4616

TOP COVERS	MOUNT MODELS
A-0030	All Gen1 30 mm mounts, Rear
A-0031	All Gen1 30 mm mounts, Front
A-0040	Gen1 34 mm mounts, Rear
A-0040B	SP-4036, Rear, Gen1
A-0041	All Gen1 34 mm mounts, Front
A-0050	All Gen1 35 mm mounts, Rear
A-0051	All Gen1 35 mm mounts, Front
A-0073	All Gen1 36 mm mounts, Rear
A-0074	All Gen1 36 mm mounts, Front
A-0096	All Gen1 40 mm mounts, Rear
A-0097	All Gen1 40 mm mounts, Front
A-30	All Gen2 30 mm mounts, Rear
A-31	All Gen2 30 mm mounts, Front
A-40	Gen2 34 mm mounts, Rear
A-40B	SP-4036, Rear, Gen2
A-41	All Gen2 34 mm mounts, Front
A-50	All Gen2 35 mm mounts, Rear
A-51	All Gen2 35 mm mounts, Front
A-60	All Gen2 36 mm mounts, Rear
A-61	All Gen2 36 mm mounts, Front
A-70	All Gen2 40 mm mounts, Rear
A-71	All Gen2 40 mm mounts, Front



Gen1 Rear Top Cover, no groove



Gen2 Front Top Cover, w/ groove

Note: Gen1 and Gen2 Top Covers are not interchangeable with each other.

OTHER	MOUNT MODELS	DESCRIPTION
A-0085	SA/ST-series	Recoil Screw
A-0111	SR-series	5 mm Bubble Level Vial
A-0155	SR-series	Bubble Level Retainer Clip
A-0171	SS-series	Recoil Screw
A-0190	SR-series	4.5 mm Rubber Washer
QD-003	QDP-series	QD Lever Hinge Pin Screw
QD-004	QDP-series	QD Locking Block
QD-005	QDP-series	QD Friction Plate
S-1025	QDP-series	M4x16 Tensioning Screw
S-2107	QDP-series	Side Clamp Compression Spring
S-2506	QDP-series	Tensioning Screw Disc Spring
ZQD-001	QDP-series	QD Lever Assembly

CLAMPING SCREWS

	MOUNT MODELS
A-0130	All SP-XX02, SP-XX03b, SP-XX04, SP-XX06, SP-XX07, SP-XX08, SP-XX16, SP-XX26, and SP-XX36 models
A-0135	All SA and ST models
A-0150	All SP-XX01 and SP-XX11 models, SR-3000 and SR-4000
S-1332	All SS models

"WEDGE"

	MOUNT MODELS
A-0080	All 01, 02, 03b, 06, 07, 11, 16, 26, 36, and 46 heights, and SR-series rings
A-0081	Leveling base for SR-3000 and SR-4000
A-0082	All 04 and 08 heights

CHOOSING A MOUNT

We have the world's most comprehensive line of tactical scope mounts; it currently spans about 60 different models of various heights, tilts, lengths and ring dimensions. We have therefore compiled this short guide to help you choose the right mount for your needs.

Picatinny or direct/dovetail mount?

The first question is if the mount should be a Picatinny mount (models beginning with SP or QDP) or a direct attachment mount such as our line of ISMS mounts for Accuracy International (SA,) Sako TRG/Tikka T3x (ST,) and Sauer SSG (SS)?

The main reason for using a direct mount is to allow a stronger and lower positioning of the rifle scope. If there is no other need for a Picatinny rail we generally recommend direct mounts on these rifles.

Please note that both Accuracy International and Sako are now making rifles that have Picatinny rails rather than their traditional dovetails, so make sure which style of mount is needed for your particular rifle.

Cantilever or block mount?

As can be seen from the first 20 pages of this catalog the majority of our mounts are standard block mounts as these will be the best choice for the majority of rifles on the market. There are some exceptions though.

AR15 rifles usually require a cantilever mount for a comfortable shooting position, and an AR15 with an adjustable stock will more often need a more extreme cantilever than an AR10/SR25 due to the difference in length of the upper receiver. As such, if your rifle has a monolithic upper we recommend using a standard block mount rather than a cantilever design, as a cantilever will be more susceptible to side forces than a non-cantilever design.

Height

The height of our mounts is always measured from the top of the rail to the center of the scope. In the case of a tilted mount the measurement is made at the back plane of the rear ring.

So which height do you need? First off you need to know the outer diameter of your objective. Please note that "3-12x56" does not mean that the scope has an outer objective diameter of 56 mm - only that the objective lens is 56 mm in diameter. Different scopes have different outer diameters for the same lens diameters and it's not uncommon that different models from the same manufacturer feature different outer diameters even if the lens diameter is the same.

Take the measurement above and divide it by two (2) to get the theoretical minimum height required if the optics will be mounted onto a flat rail that extends to and/or past the objective bell. This theoretical minimum height is theoretical for a reason. If the objective has a 62 mm outer diameter and you choose a 31 mm high mount the objective will be in contact with the rail. You will therefore need to add to the theoretical minimum height to get the practical minimum height.

So how much do you need to add? That depends on your personal preference and on what kind of lens caps etc., you want to use. Also, if you want to use a tilted mount/base you will need to add additional clearance.

If you intend to mount the optics onto a bolt action rifle with Picatinny base you can often use a lower mount than the theoretical minimum height above. Just subtract the height of the base from the theoretical minimum height mentioned above. Depending on barrel contour you might be able to go even lower. But don't forget to leave some clearance for lens caps and/or sunshades!

Night vision/thermal compatibility

When combining the scope with a clip-on system such as PVS22 or NSV 80, to name a few, the height of the mount is not important. Also the instrument doesn't have to be perfectly in line with the scope.

If we have an offset of 10 mm in height between the primary optic and the NV clip-on the change in point of impact will be 10 mm on 100 meters as well as 10 mm on 300 and 1000 meters; thus the point of impact change is fully parallel.

Therefore it's often unnecessary to have extremely high mounts just to facilitate in-line mounting of a clip-on systems. Various systems allow varying degrees of angular difference. A common maximum angular difference is 2 degrees. If you do want a perfect alignment we do offer the A-700 Clip-On Adapter that will fit onto any of our SP-***1 and SP-***2 mounts.

Tilt

Tilted mounts are necessary when shooting at very long distances. We generally recommend as little tilt as possible as large amounts of tilt really may have a negative impact on the quality of the sight picture. In most cases 6-9 MIL (20-30 MOA) will have no negative impact on picture quality while still providing greater available adjustment range for long-range shooting.

To allow for the greatest available range of adjustment choose a mount with a tilt that is half of the scope's range of elevation. For example Schmidt & Bender 5-25x56 have a maximum elevation adjustment of 26 MIL (93 MOA,) you should therefore choose a mount with 13 MIL (44.4 MOA) in tilt. Doing so assures that you are able to adjust the sight out to very long distances.

However, when mounted in this extreme elevation it's common to experience optical phenomena such as an oval pictures when shooting at near targets, etc. We therefore recommend that when fitting a large elevation scope (such as 26 MIL/93 MOA) on a .308 rifle that will only be used out to 1000 meters, to choose a 6 MIL/20 MOA tilt as it's more than sufficient for that use.

Please note that using a degree of tilt that is more than half of the scope's elevation adjustment will make it impossible to zero the rifle at 100!

Adding accessories

Several years ago we developed our own interface system – the Spuhr Interface – for attaching accessories to a surface. As opposed to many other interface systems on the market the Spuhr Interface can be used not only on handguards but also on other products and parts of the firearm – such as our scope mounts – and in our production we use it for both application.

The Spuhr Interface has outstanding repeatability and durability and it makes installation of accessories such as laser range finders and angle cosine indicators very easy. Installation is done using the same Torx 20 driver as for our rings and clamping screws.

Adding a secondary optic

Though originally more common in the shooting sports, adding a secondary non-magnified red dot sight to work alongside the primary optic can be very useful on long range rifles and on hunting rifles alike as to quickly transition from one target to another without having to adjust the magnification, or to engage targets that suddenly appear close by.

On a heavy rifle that is primarily being shot from a bipod we recommend placing the secondary optic at the 12-o'clock position using one of our many Picatinny rails or RDS interfaces as it will easier to see over the primary optic than to cant the rifle to the side to use the secondary. On rifles that are primarily fired while standing we recommend positioning the secondary optic either at the 1:30-position.

If using an Aimpoint Micro as a secondary optic we are very fond of using the A-0025 interface to position the Aimpoint at the 4:30 position as this will allow the shooter to transition to secondary without breaking cheek-weld – just cant the rifle to the left and fire.



OTHER PRODUCTS

Though famous for our Ideal Scope Mount System the company was founded around a single product – the GS-1050 NVG carry system. Since then we have continued to work with other projects relating to various optic mounts, such as the SM-100 Dual Position Accessory Mount, the SM-101QD Ballistic Adjustable Mount, and others. We have also worked with various upgrade kits for firearms such as the HK G3, G36, HK417, and MP5/HK53, and in 2016 we began delivering G3 upgrade kits to the Swedish Armed Forces.

Learn more about our other products – visit www.spuhr.com or www.spuhr.biz.

