

CYCLONE 5.8G XF5804

Video Transmitter

5.8G 40ch, 8 competition frequency points of group E, which are used simultaneously without mutual interference

Stable output power, long transmission distance

5th gear power 0mw / 25MW / 200MW / 400MW / 600MW

Self test of output power, fast frequency locking, no interference with peers after power on

Full format video NTSC / PAL

SmartAudio V2.0 protocol, built-in OSD parameter adjustment function

Wide voltage input 7-24v

Product Name: xf5804 picture transmission

Product size: 36*36*5mm

Installation hole distance: 30.5mm

Weight: < 6G (excluding antenna)

Power supply voltage: DC 7-24v

Video format: automatic NTSC / PAL format

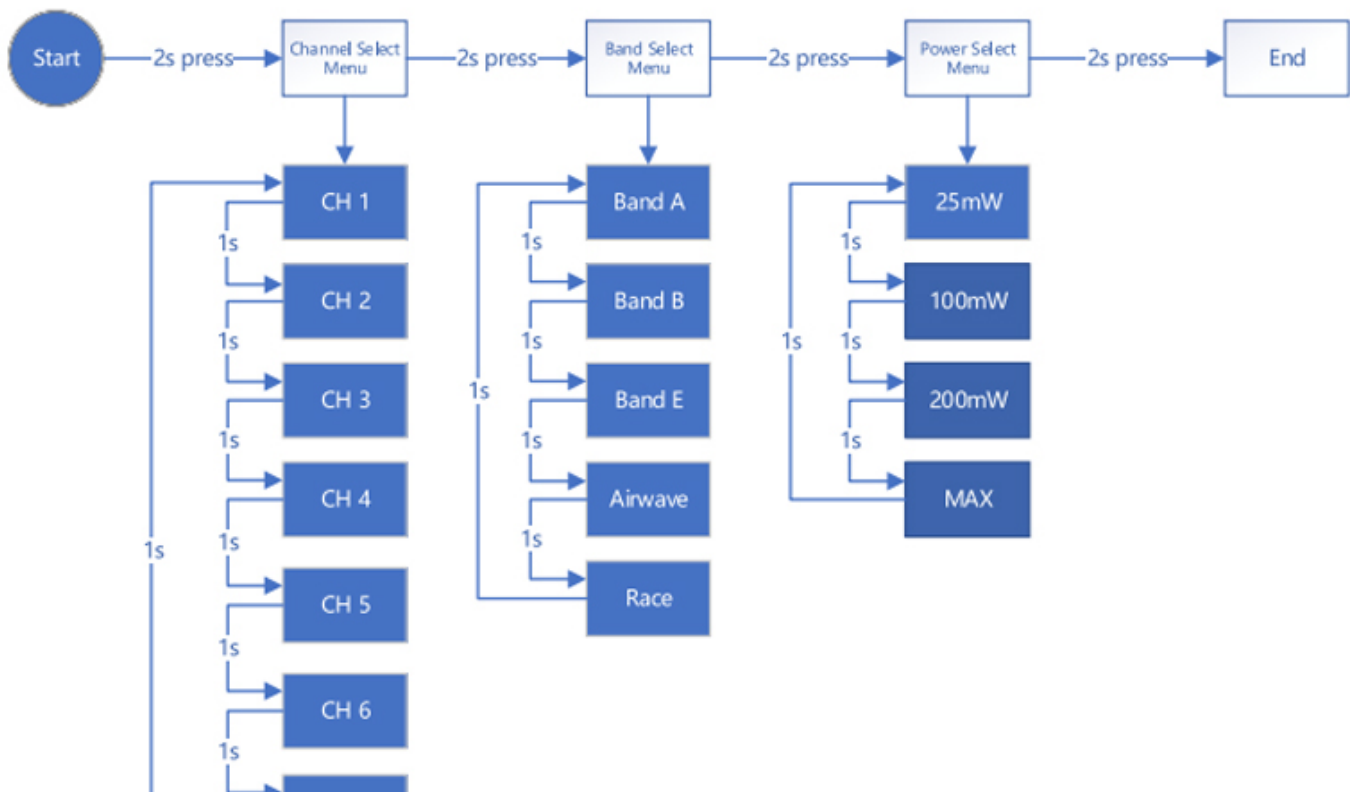
Number of channels: 40ch

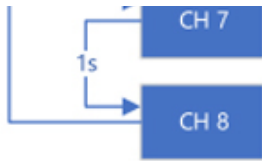
Channel display: LED combination display

Parameter setting mode: Press / OSD / betafight

Interface: sh1.0-6p port

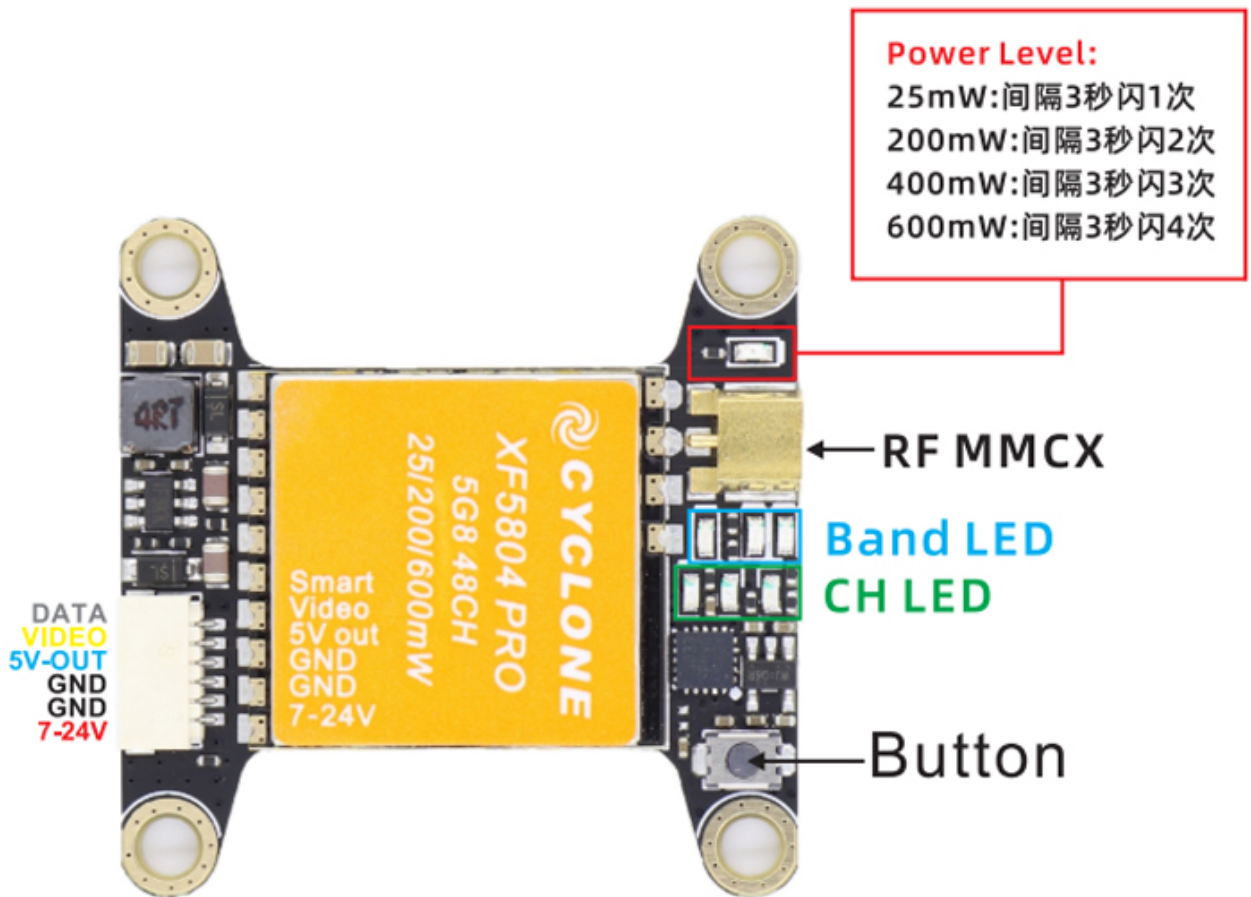
Button menu structure





Frequency Table

CH		CH1	CH2	CH3	CH4	CH5	CH6	CH7	CH8
Band		○○○	○○○	○○○	○○○	○○○	○○○	○○○	○○○
Band A	○○●	5865	5845	5825	5805	5785	5765	5745	5725
Band B	○○○	5733	5752	5711	5790	5809	5828	5847	5866
Band E	○○●	5705	5685	5665	5665	5885	5905	5905	5905
Airwave	○○○	5740	5760	5780	5800	5820	5840	5860	5880
Race Band	○○●	5658	5695	5732	5769	5806	5843	5880	5917
Blue Light:Band		Green Light:CH		Solid Circle:Light ON		Empty Circle:Light OFF			



Power Level:
 25mW:间隔3秒闪1次
 200mW:间隔3秒闪2次
 400mW:间隔3秒闪3次
 600mW:间隔3秒闪4次

	0mW	25mW	200mW	400mW	600mW
Band LED	○○○	○○●	○●○	●○○	●●○
CH LED	○○○	○○●	○●○	●○○	●●○

Power Level LED

