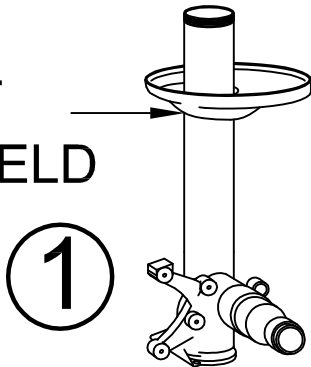


BMW E28 FRONT

CUT JUST ABOVE WELD



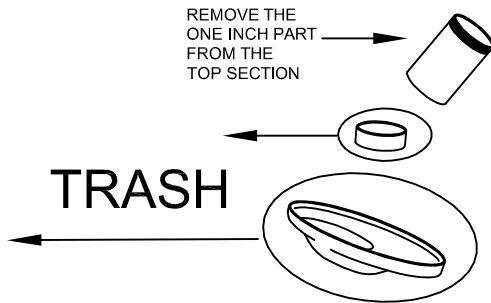
1

REMOVE STOCK SPRING PERCH BY CUTTING THROUGH THE STRUT HOUSING.

2

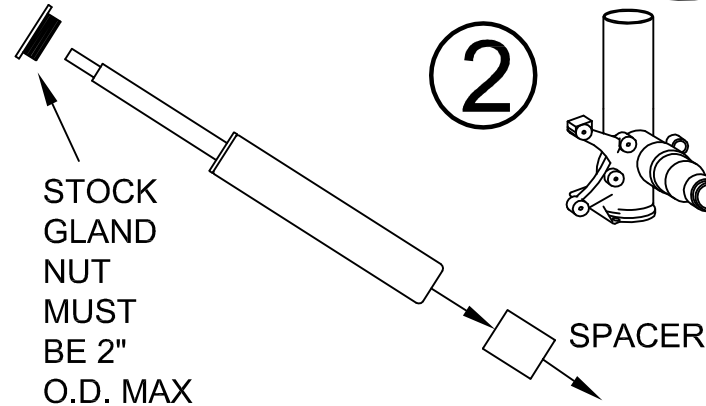


DISCARD SPRING PERCH SHORTEN HOUSING ONE INCH FROM TOP SECTION.



3

INSERT CARTRIDGE AND SPACER (IF NEEDED). LINE UP STRUT PIECES. TACK WELD, AND REMOVE THE CARTRIDGE BEFORE WELDING COMPLETELY.



2

4

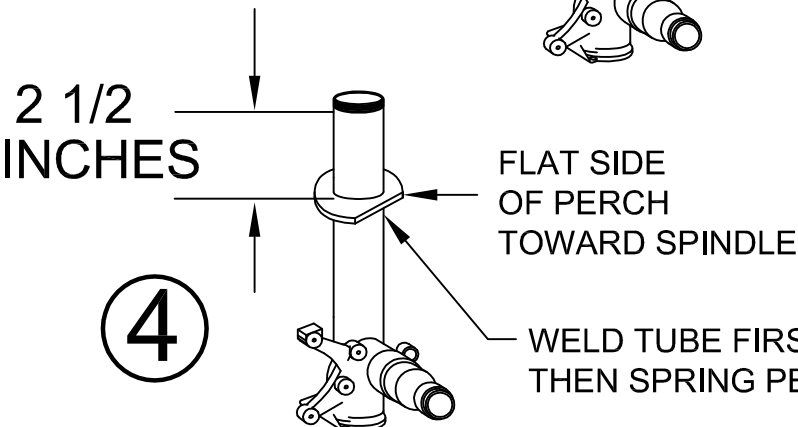
WELD SPRING PERCH ONTO THE STRUT HOUSING TWO AND ONE HALF INCHES BELOW THE TOP, WITH THE FLAT EDGE FACING THE TIRE.

NOTE: IF HOUSING USES EXTERNAL GLAND NUT MEASURE DOWN FROM BOTTOM OF THREADS.

3

5

REINSTALL CARTRIDGE AND SPACER. IF STOCK GLAND NUT IS LARGE, IT MUST BE GROUND OR MACHINED DOWN TO 2" O.D.



6

INSTALL COIL OVER SLEEVE TO SIT ONTO SPRING PERCH, INSTALL AND TIGHTEN GLAND NUT.

GROUND CONTROL

www.ground-control.com
 3885 Dividend Drive
 Shingle Springs, CA 95682
 (530)677-8600 fax (530)677-9090